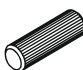

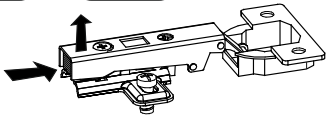
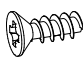
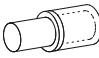


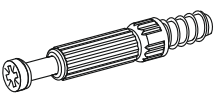



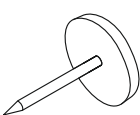
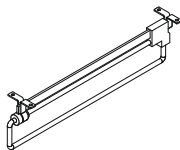
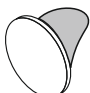
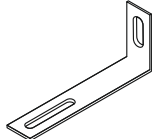
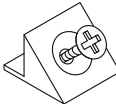
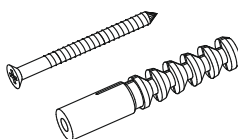
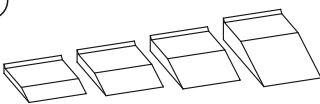
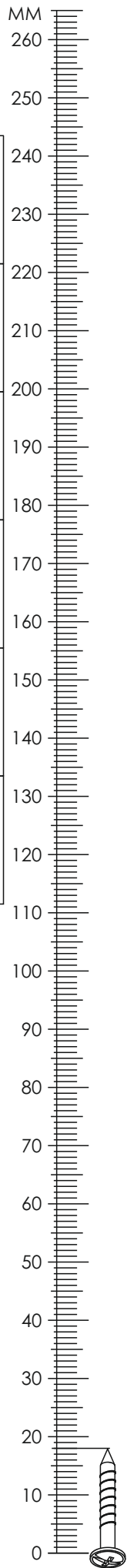
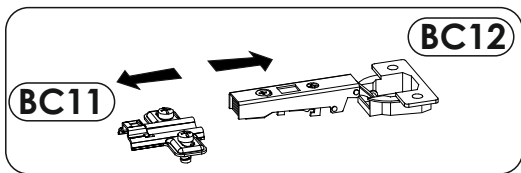
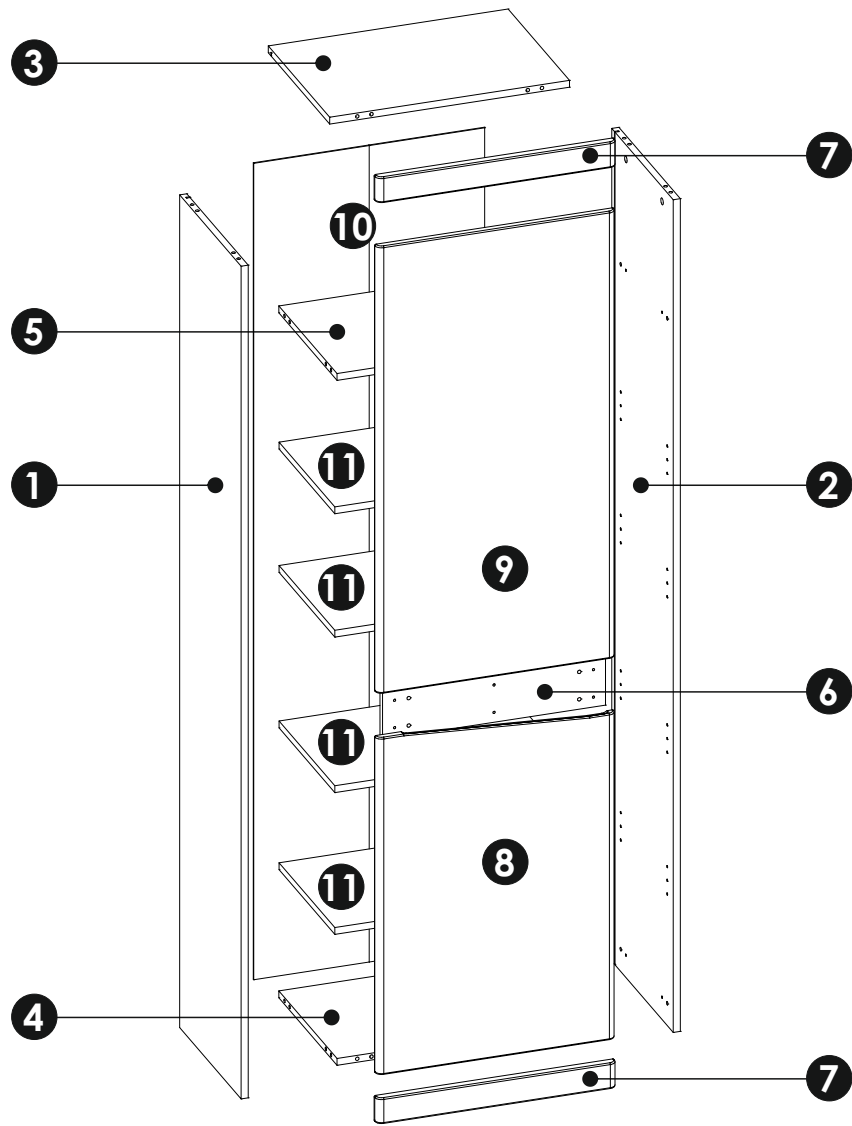
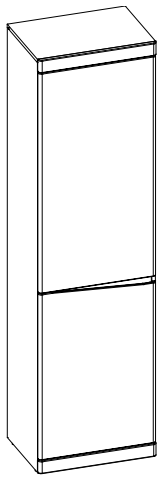


A1	8 x 35 mm	x16	A6	8 x 24 mm	x4	BC11 + BC12	x4	
								
C2	5 x 13 mm	x8	D2		x16	E0	Ø16	x10
								
E1	15 x 12 mm	x16	F1	6 x 34 mm	x16	I2	4 x 16 mm	x5
								
N1	3 x 16 mm	x10	N14	4 x 30 mm	x6	O2		x4
								
P7		x1	P16		x6	Q9		x1
								
R4		x11	S13		x1	Z		x1
								
					Ø8			

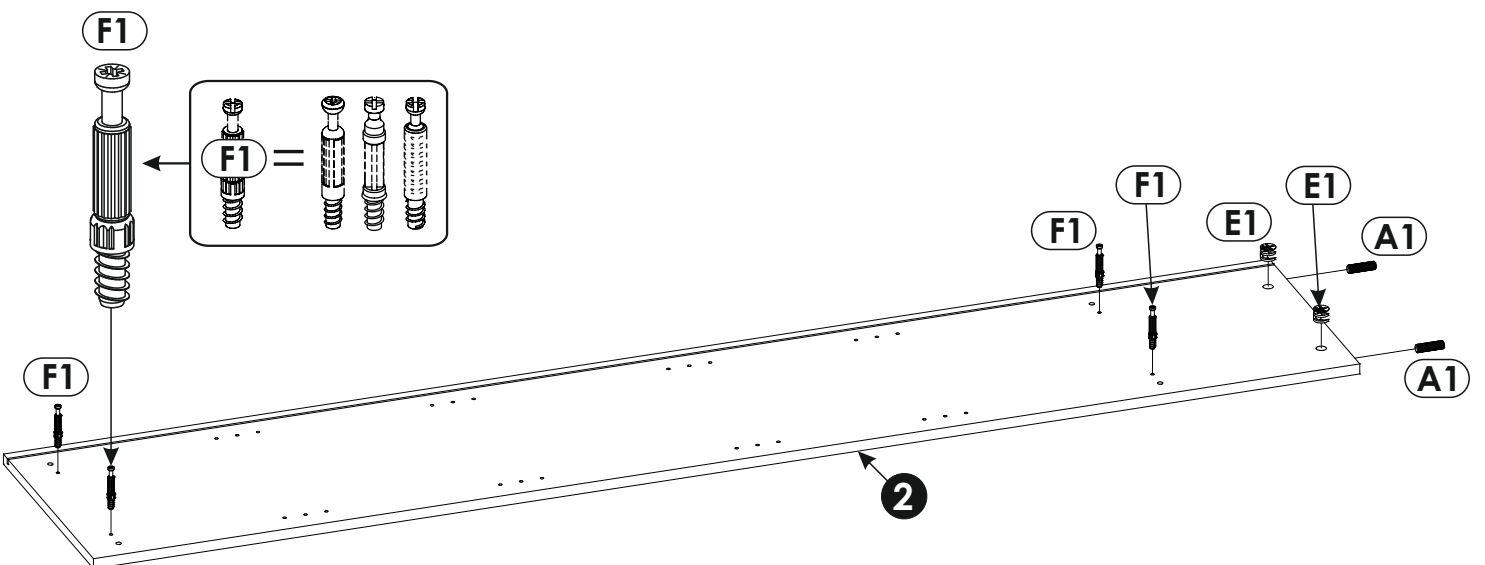
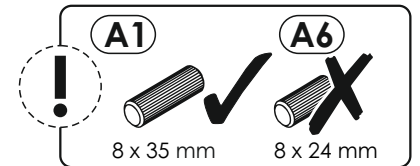
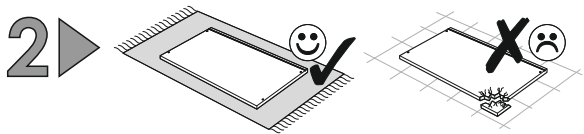
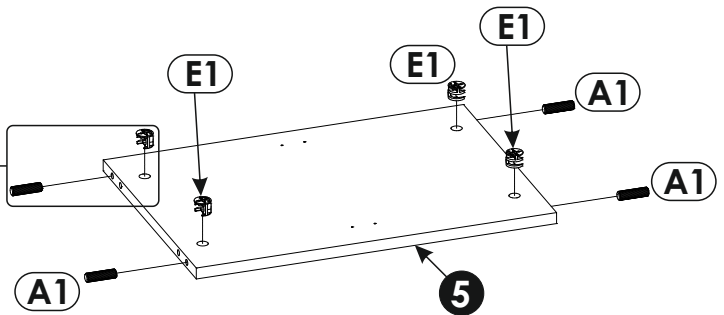
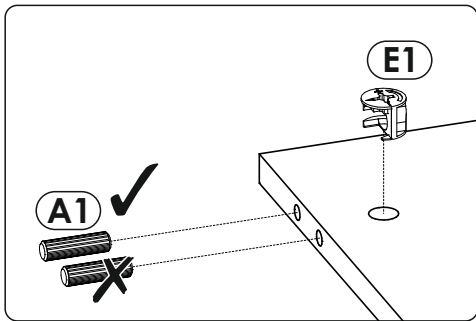
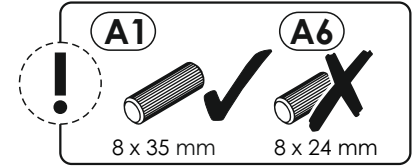
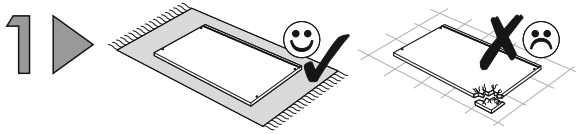
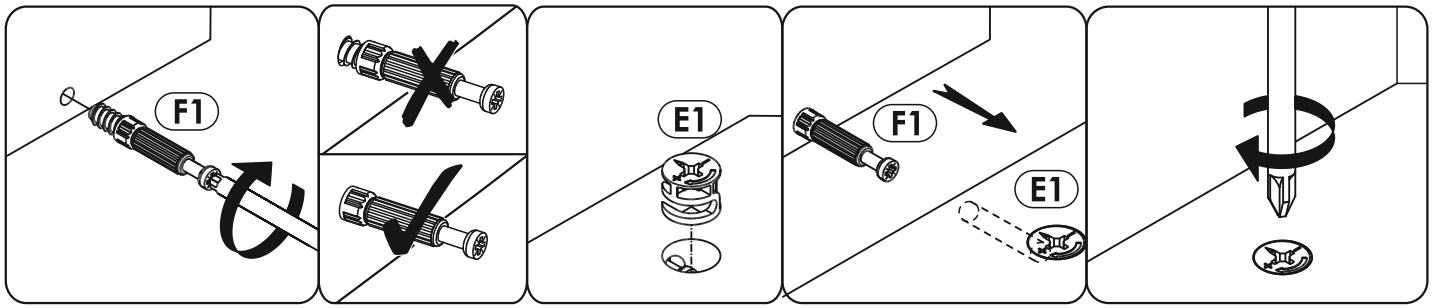


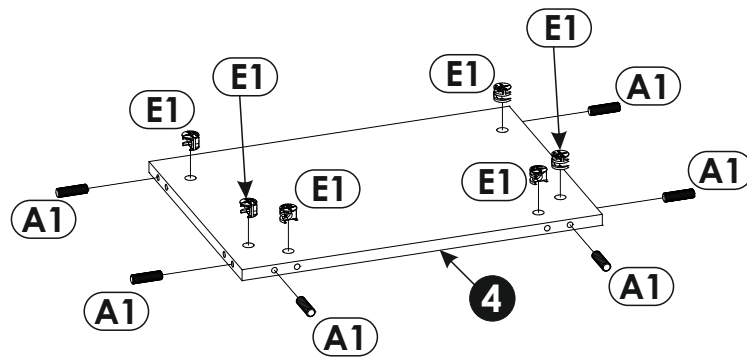
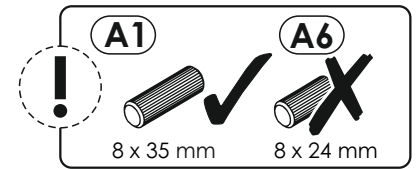
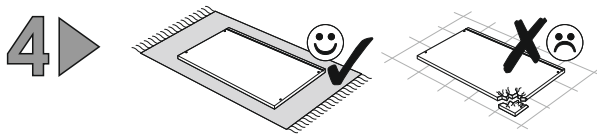
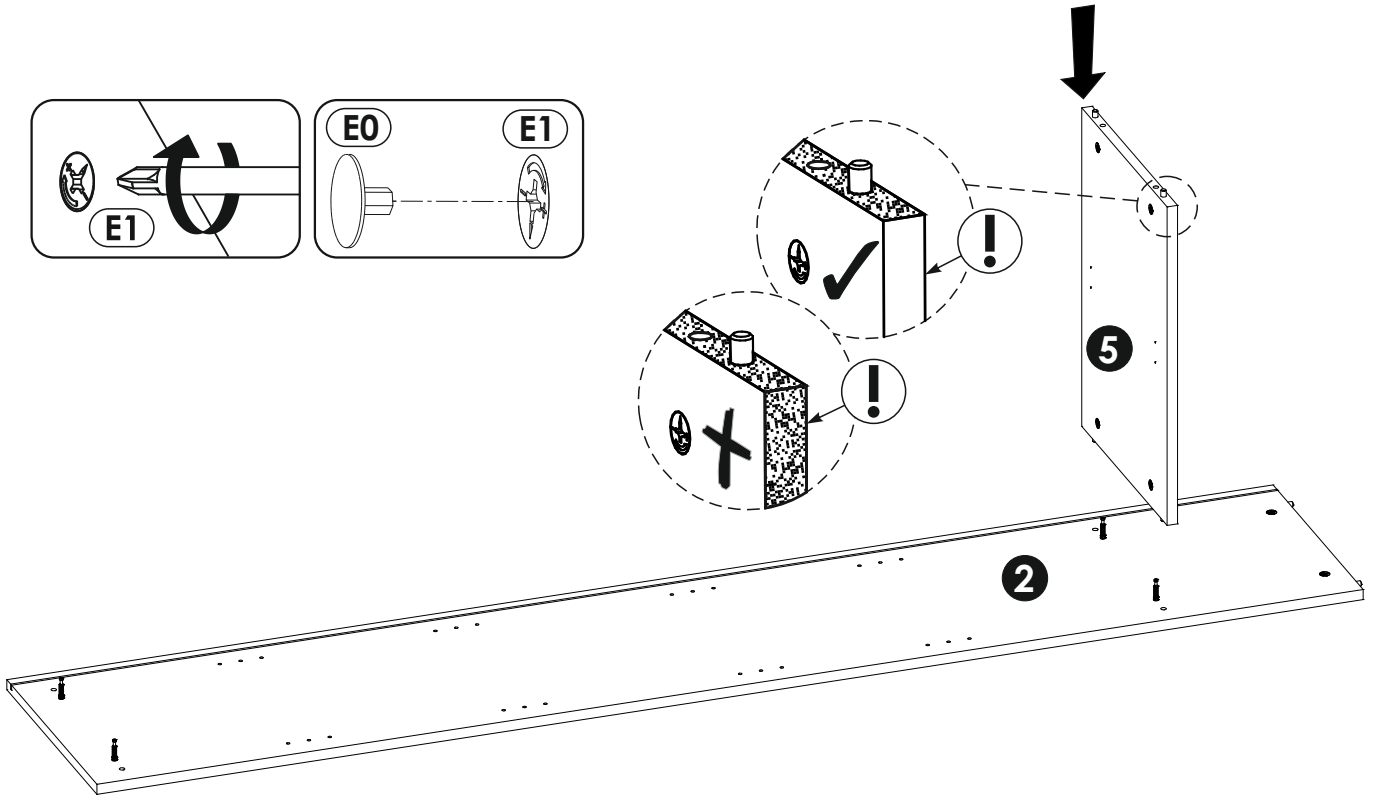
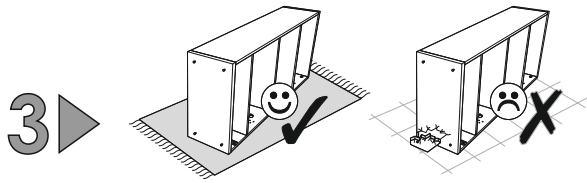


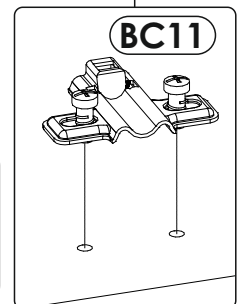
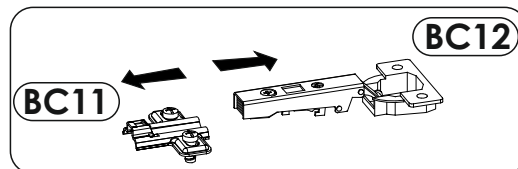
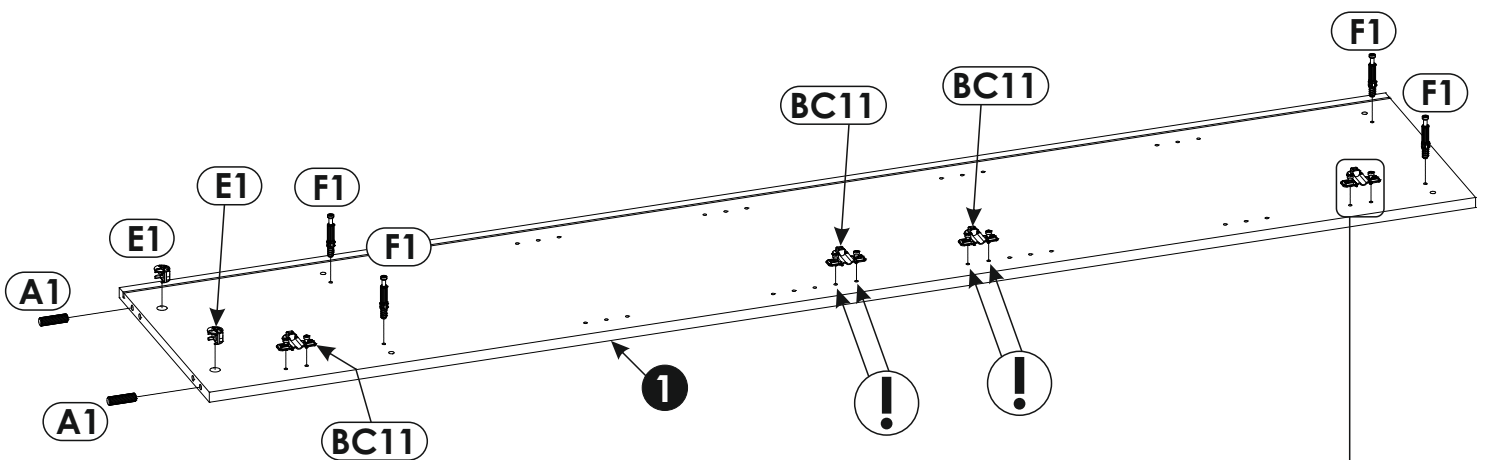
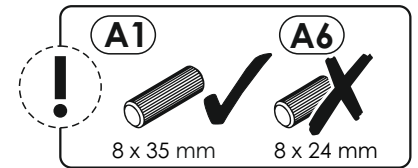
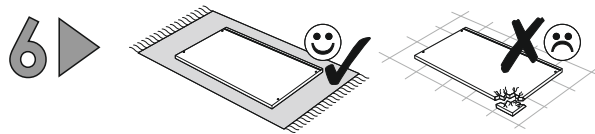
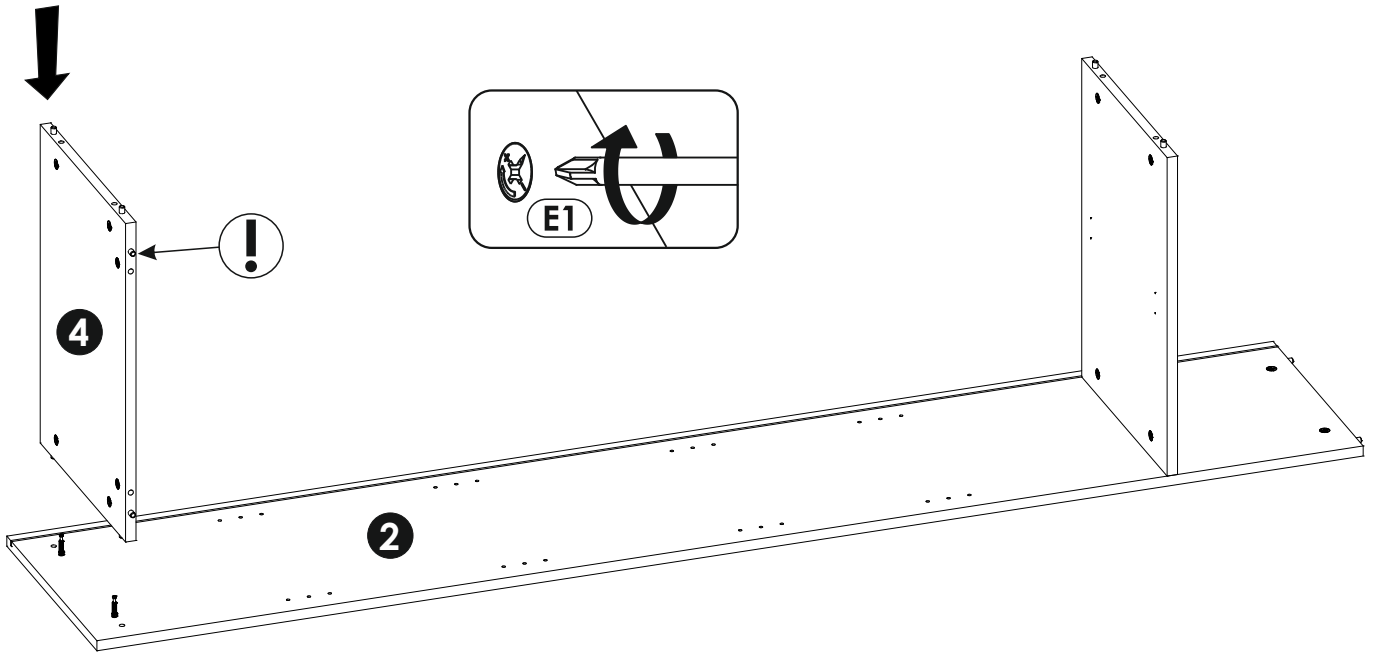
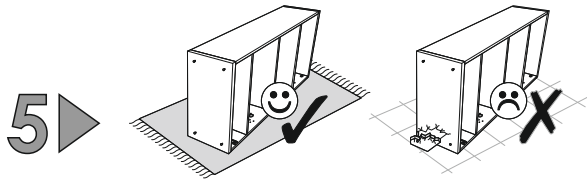
1	1944	380	16	x1	2/2
2	1944	380	16	x1	2/2
3	540	380	16	x1	2/2
4	507	360	16	x1	1/2

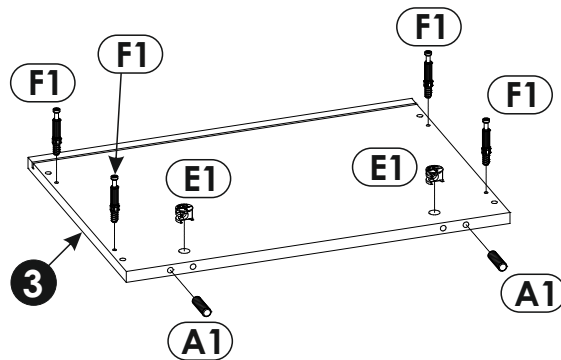
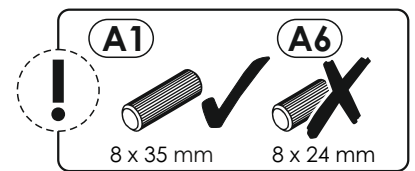
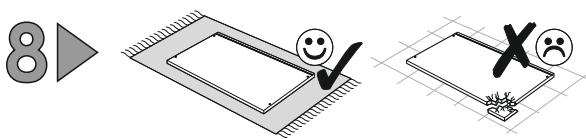
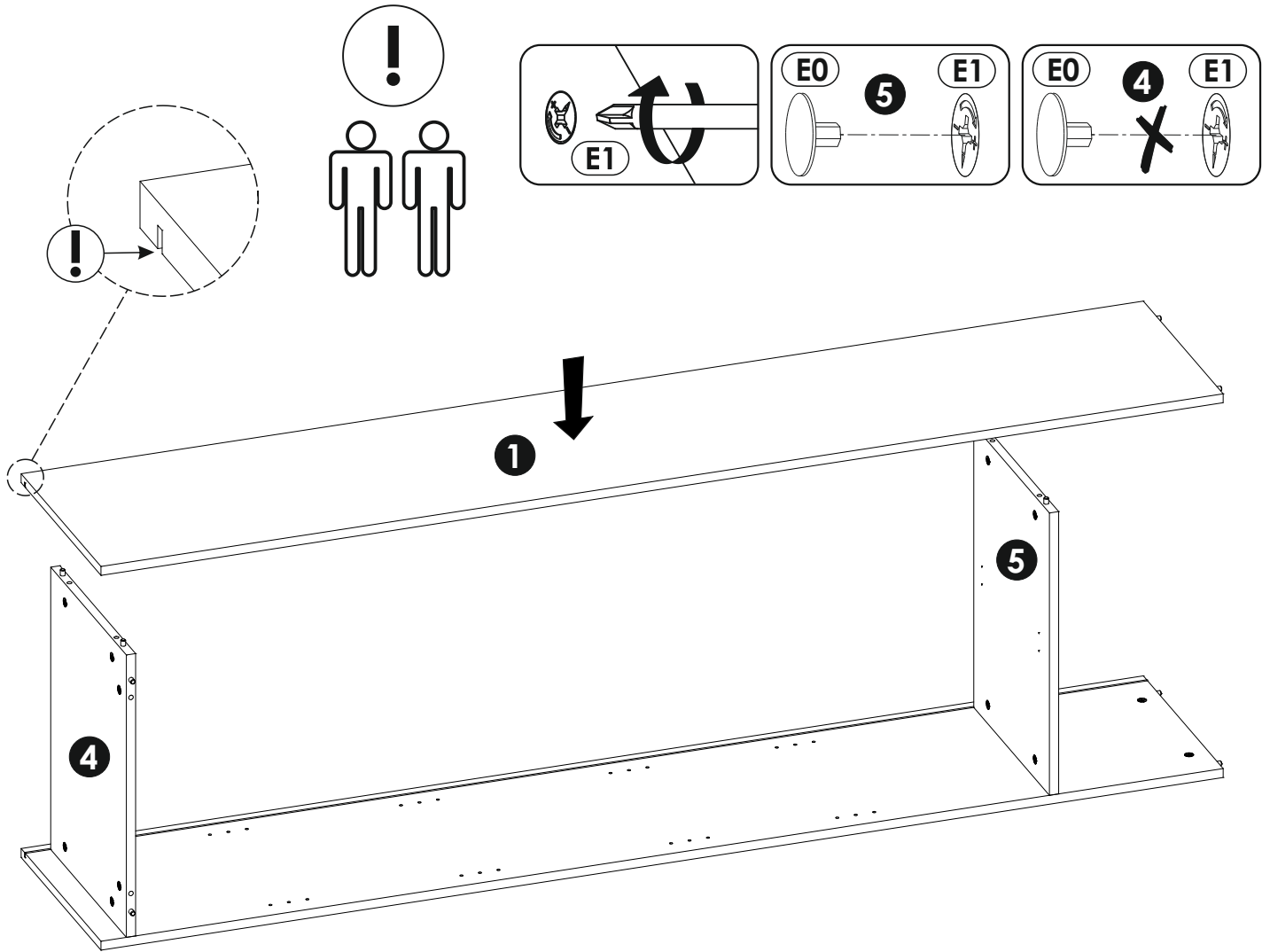
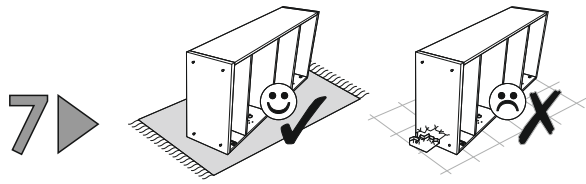
5	507	360	16	x1	1/2
6	502	110	16	x1	2/2
7	540	60	19	x2	2/2
8	538	787	16	x1	1/2

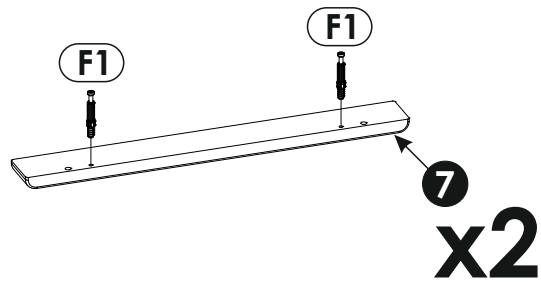
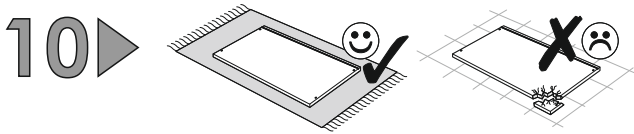
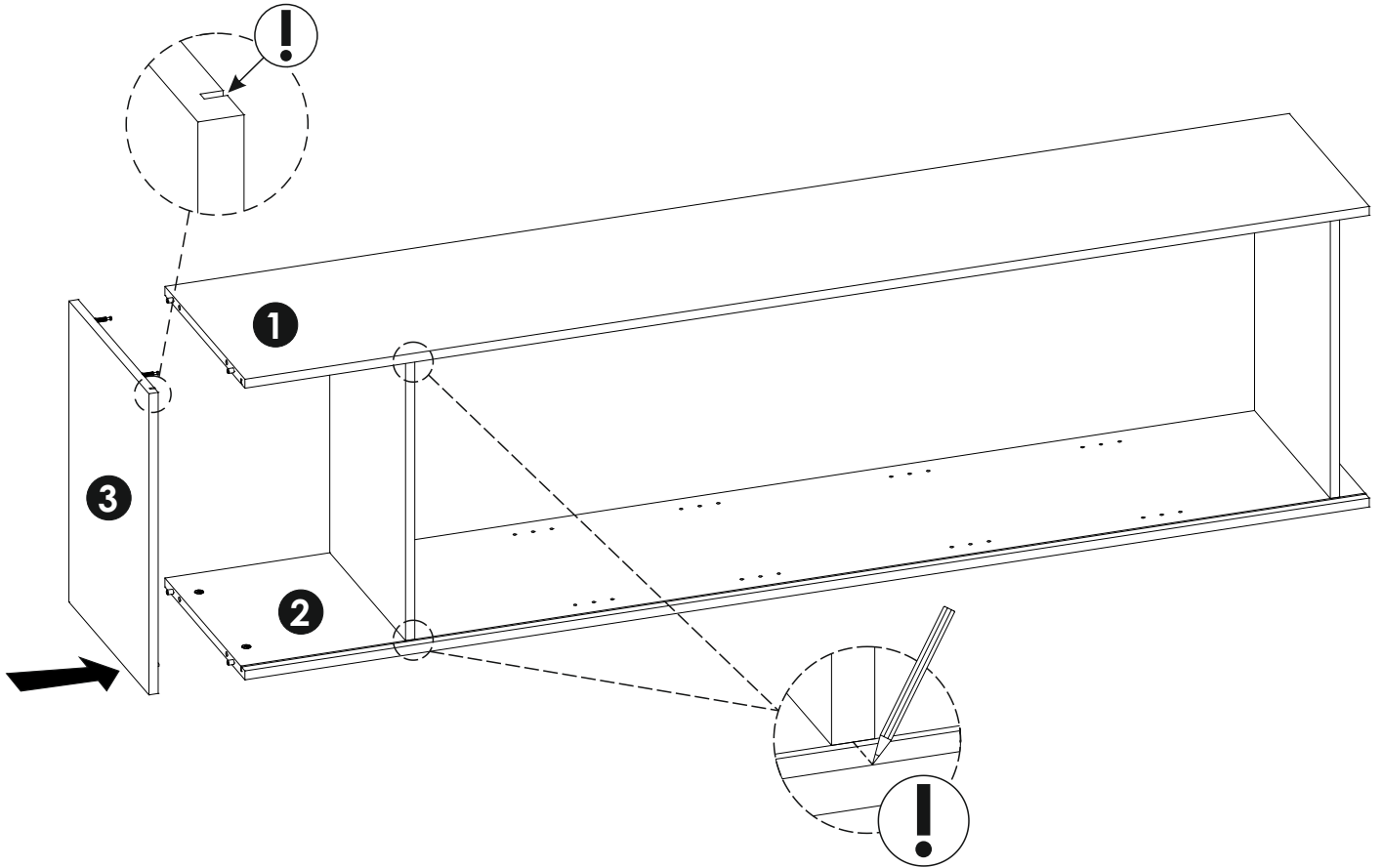
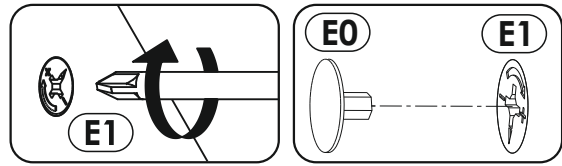
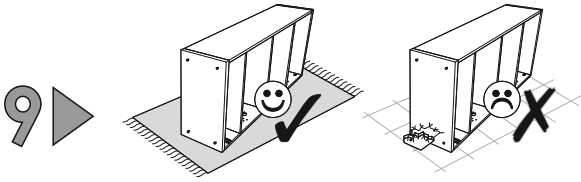
9	538	1044	16	x1	1/2
10	1906	520	3	x1	2/2
11	506	345	16	x4	1/2

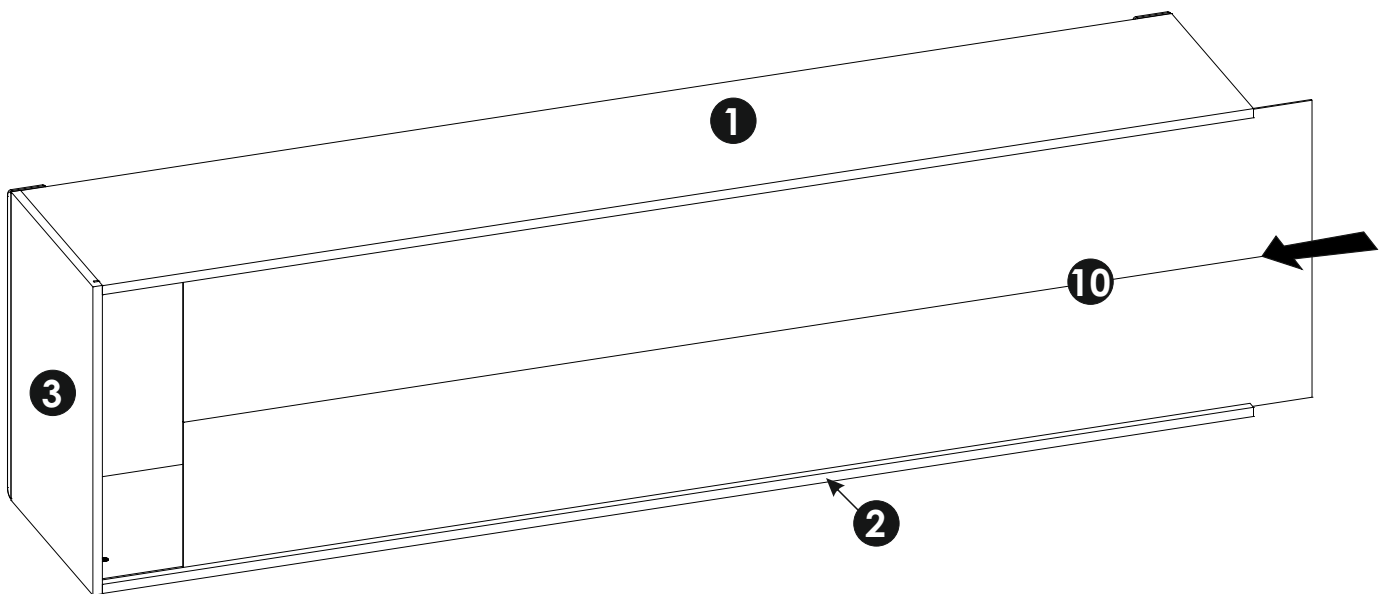
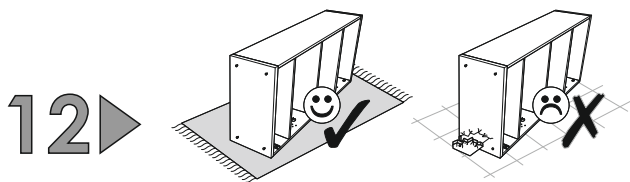
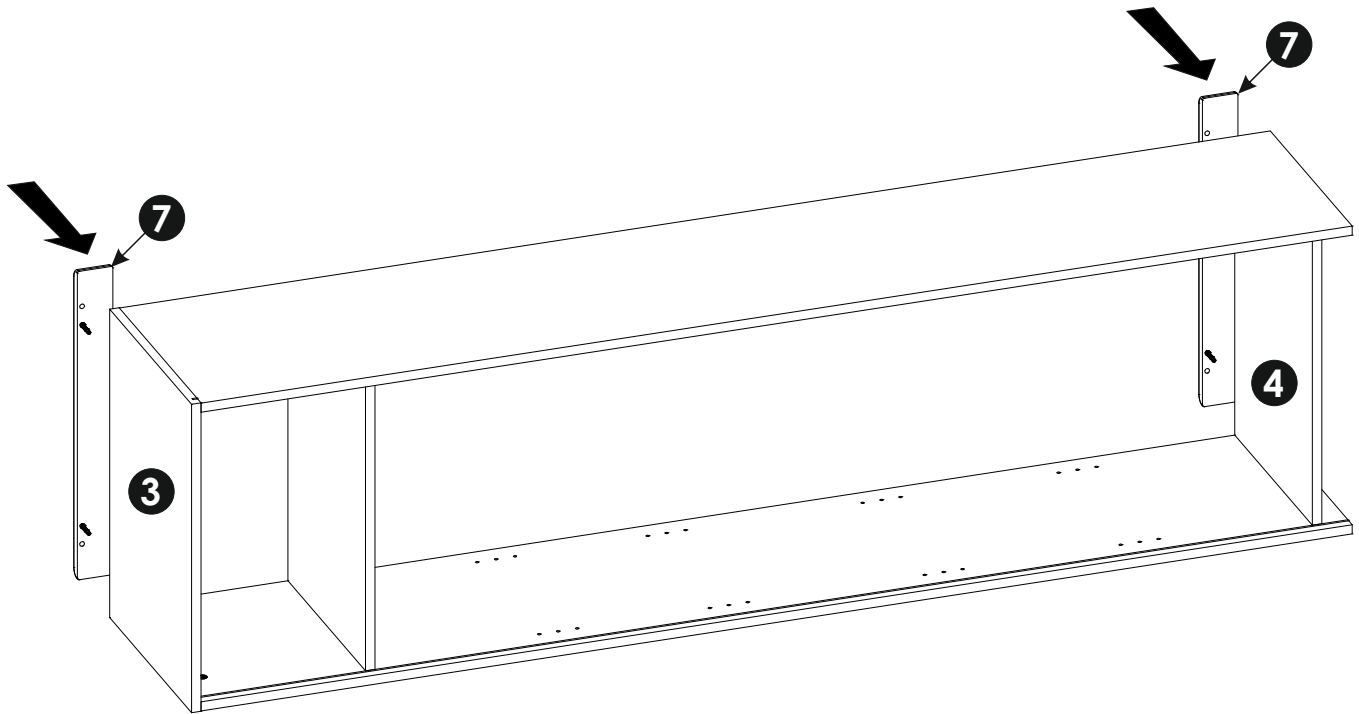
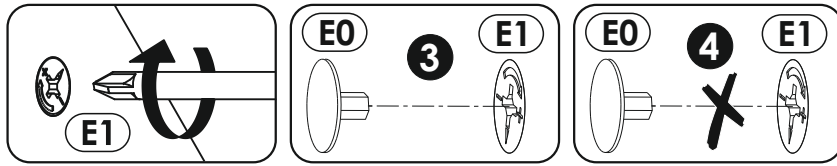
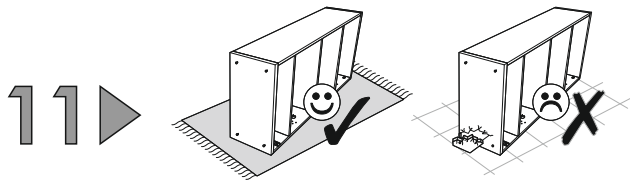




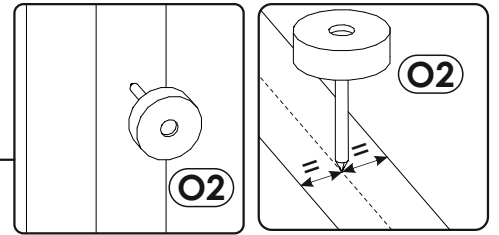
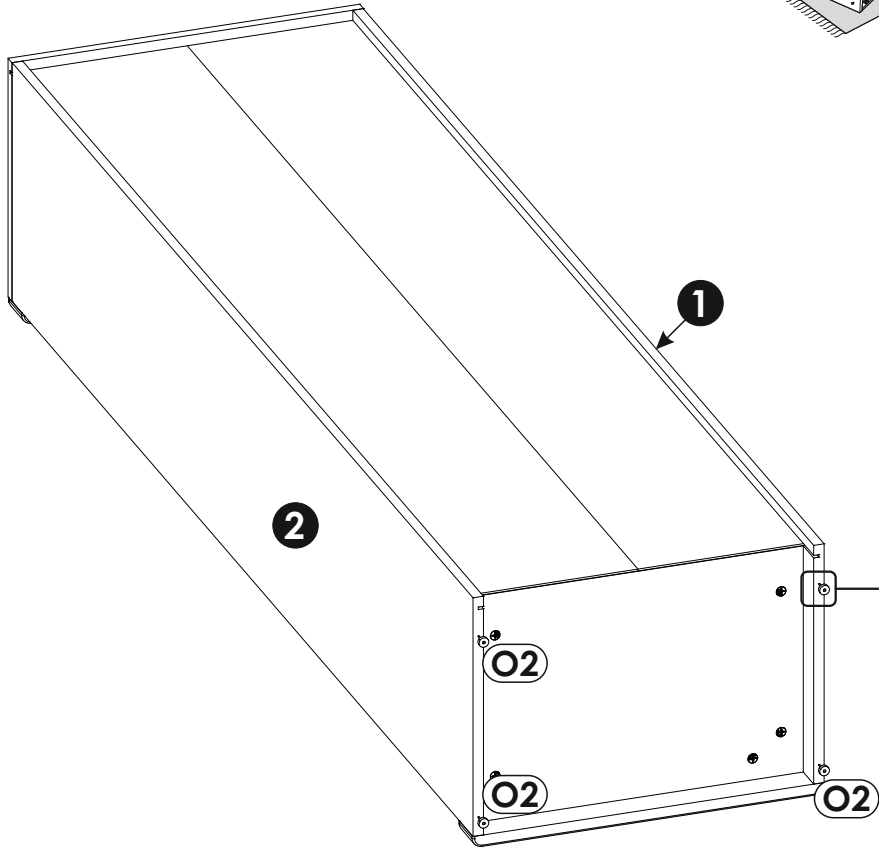
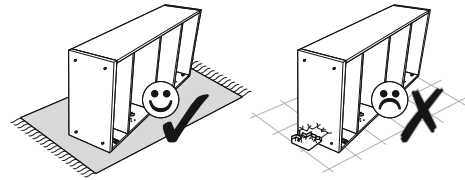




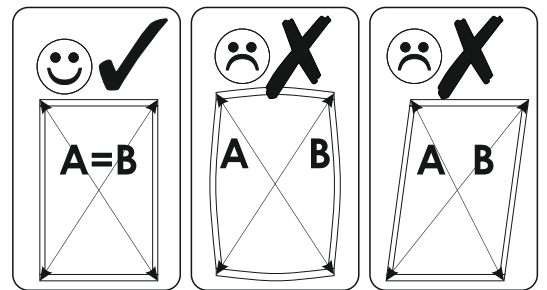
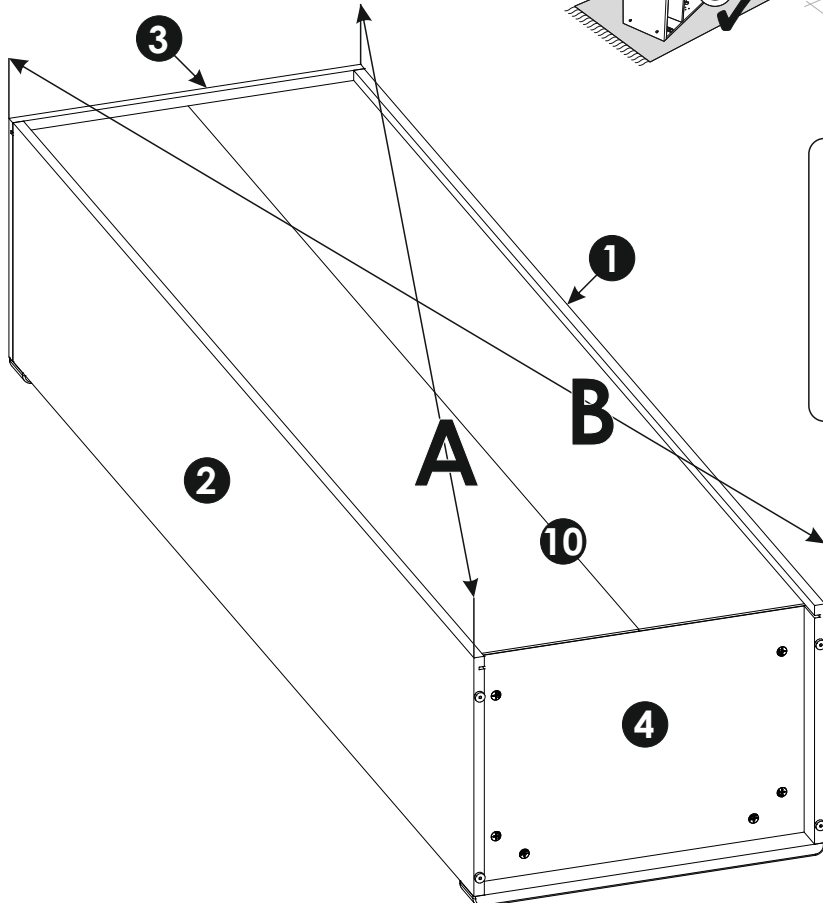
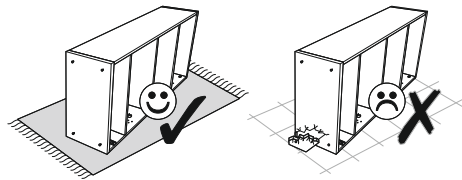




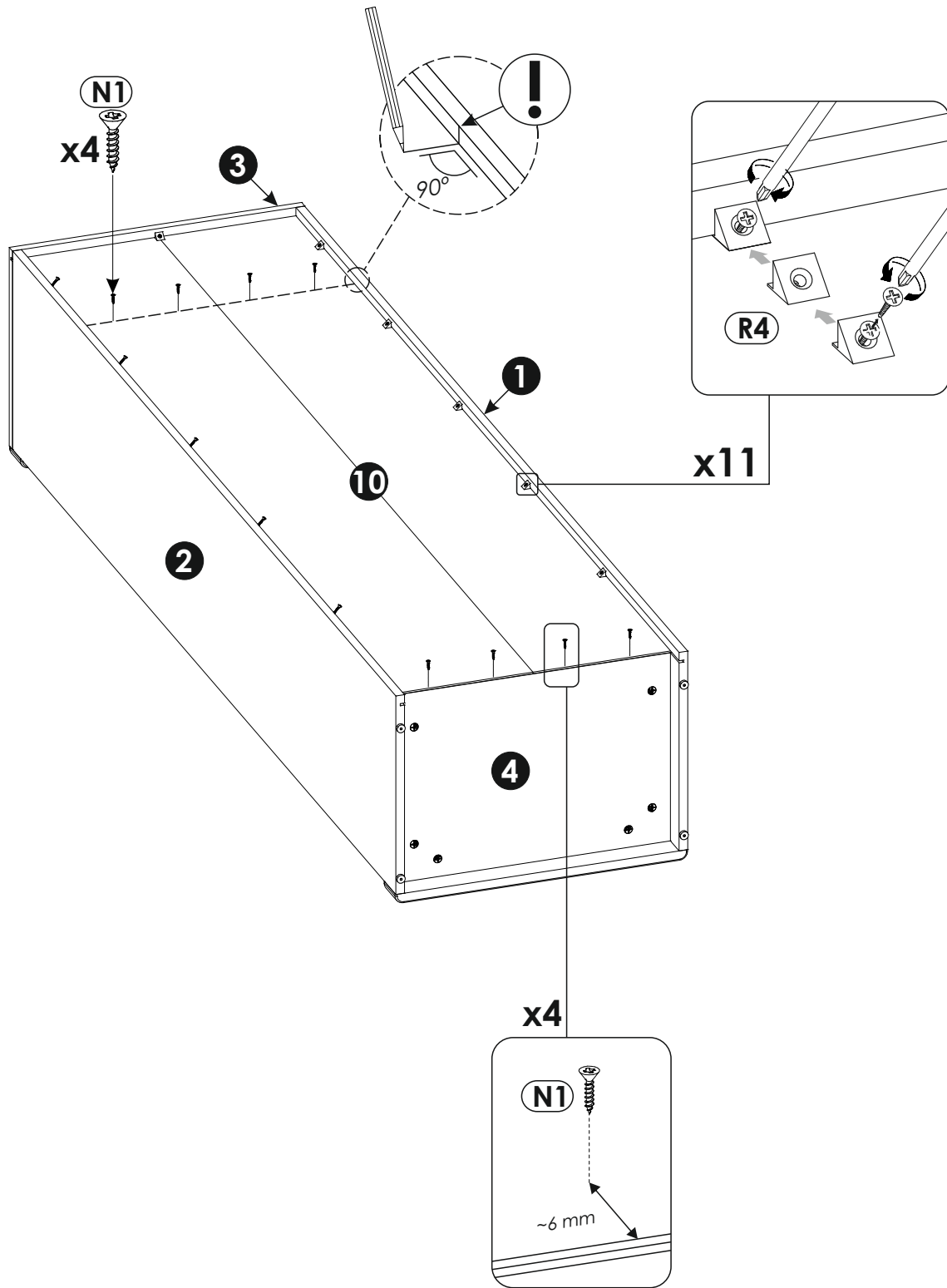
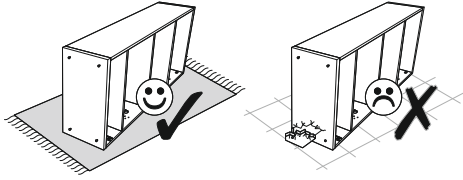
13▶

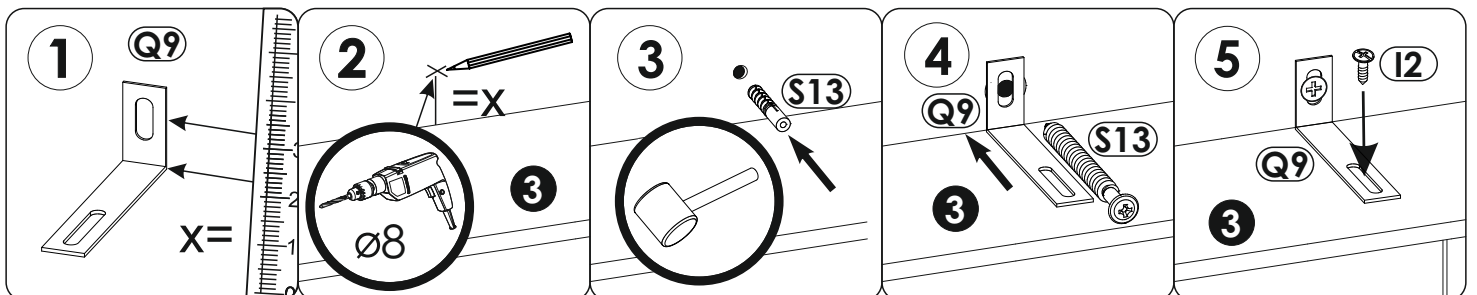
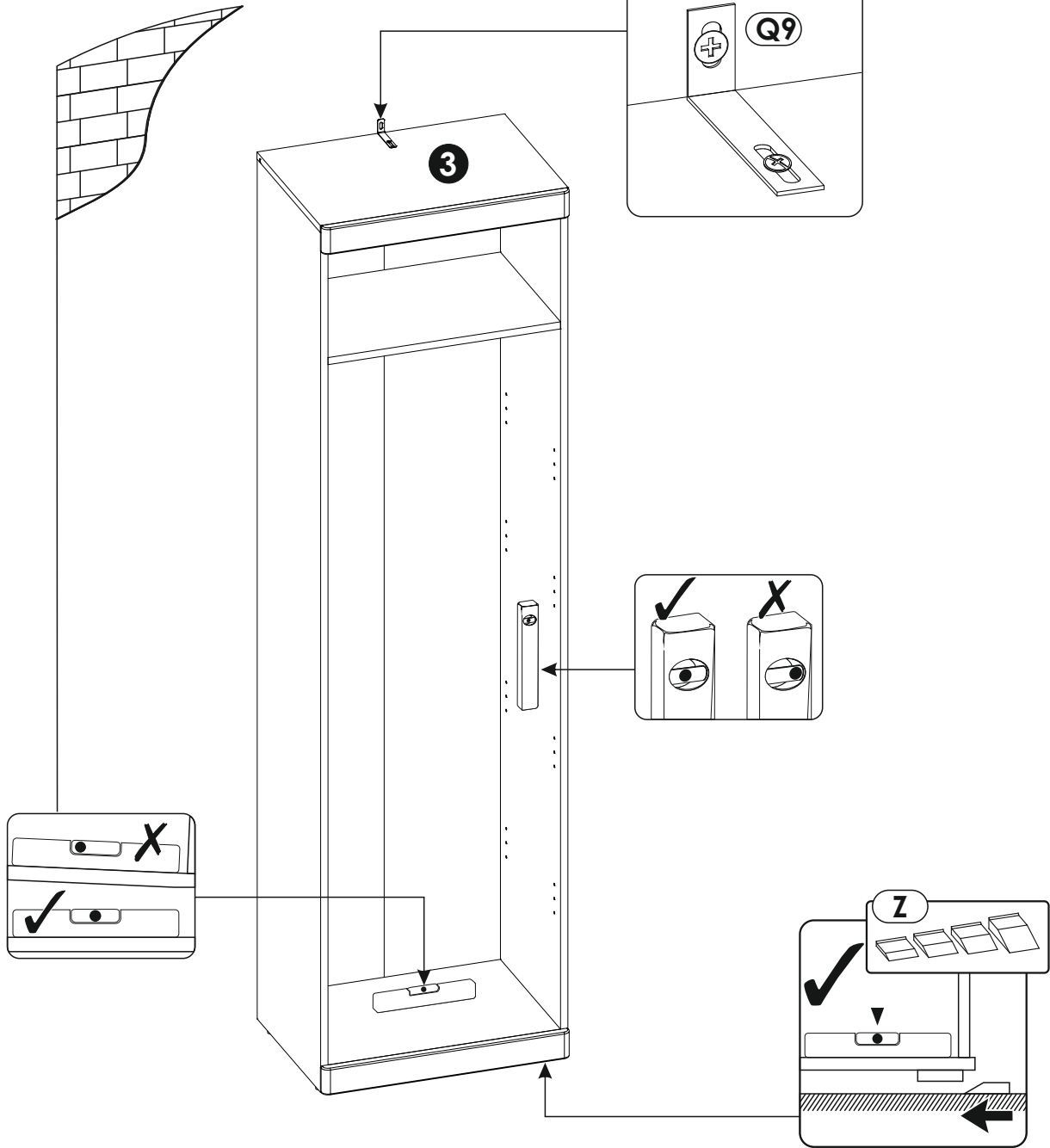
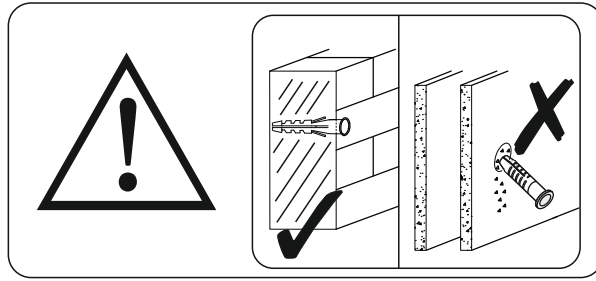


14▶

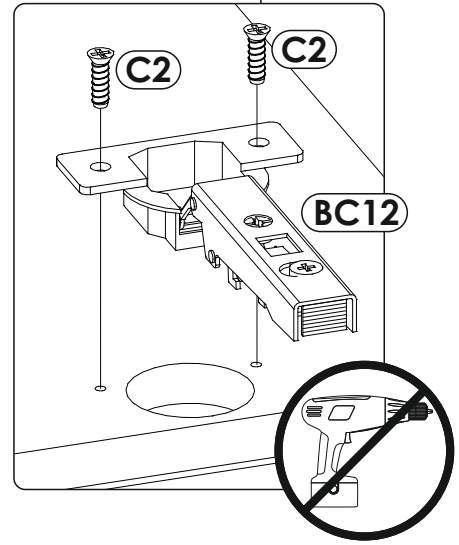
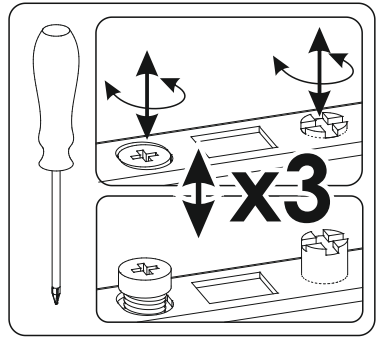
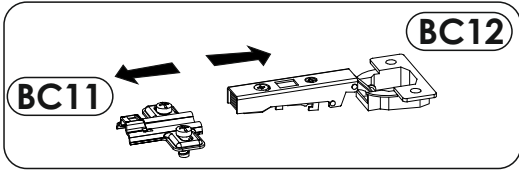
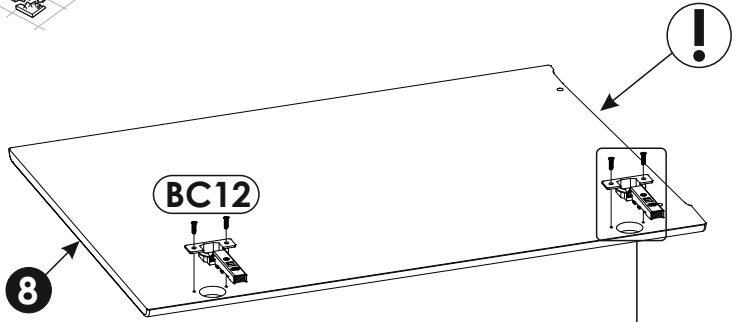
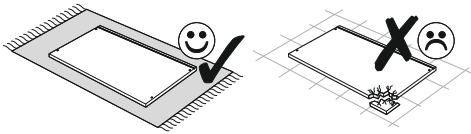


15 ▶

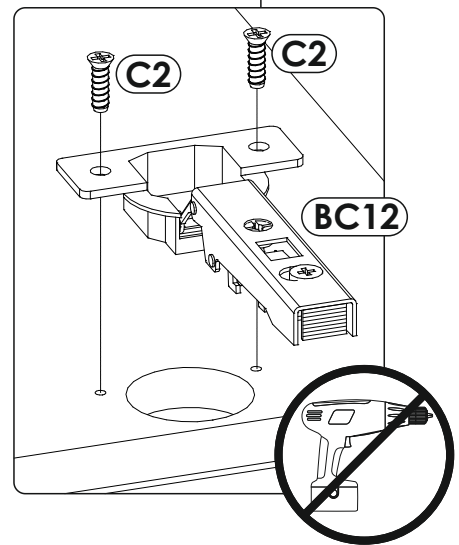
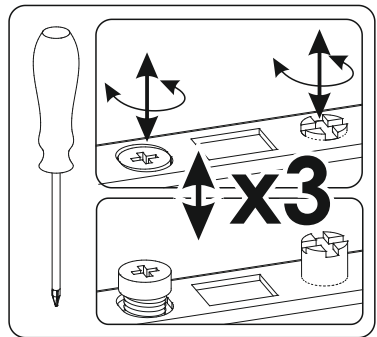
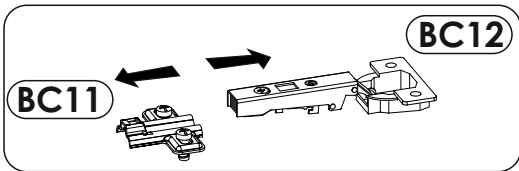
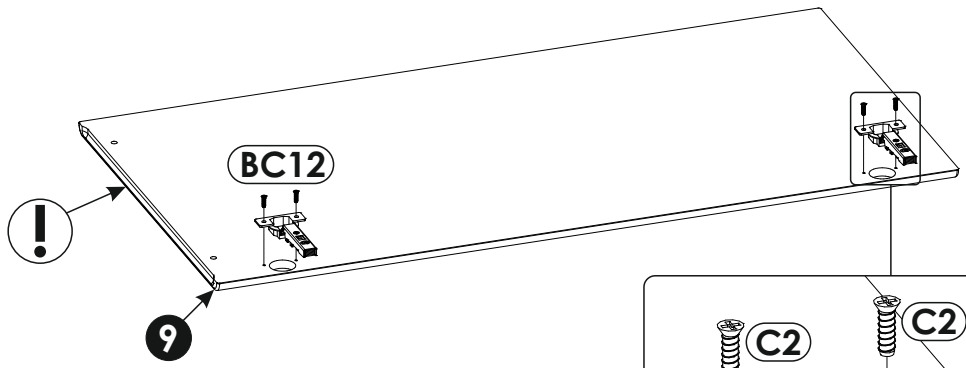
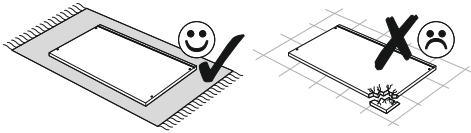


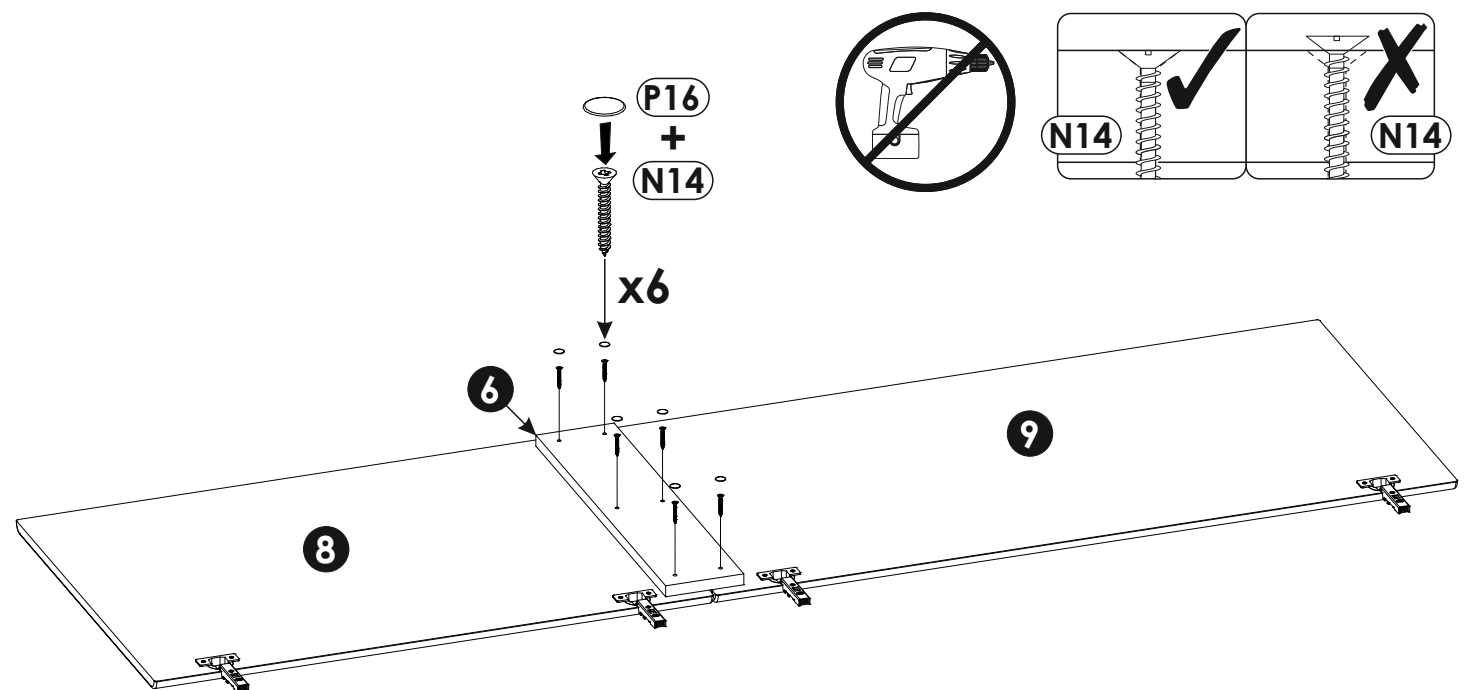
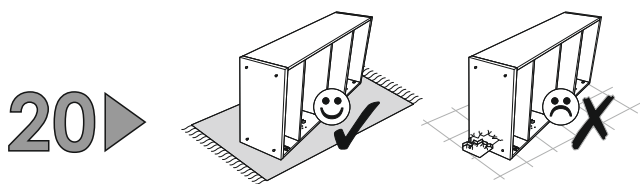
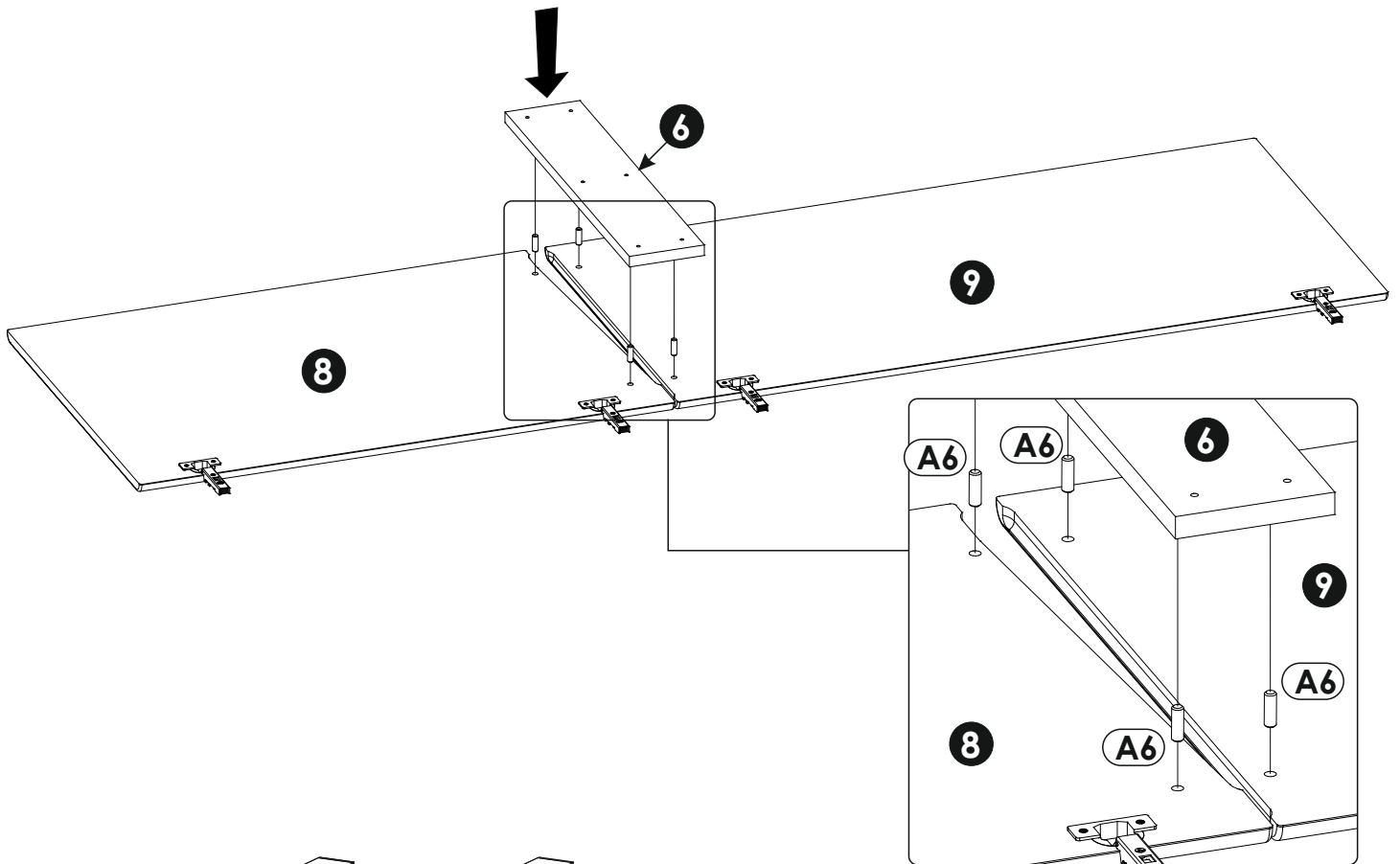
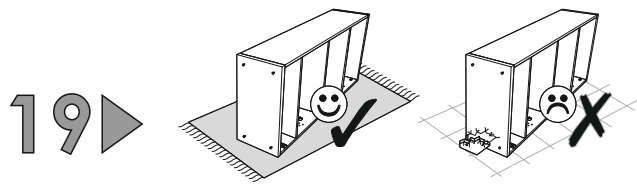


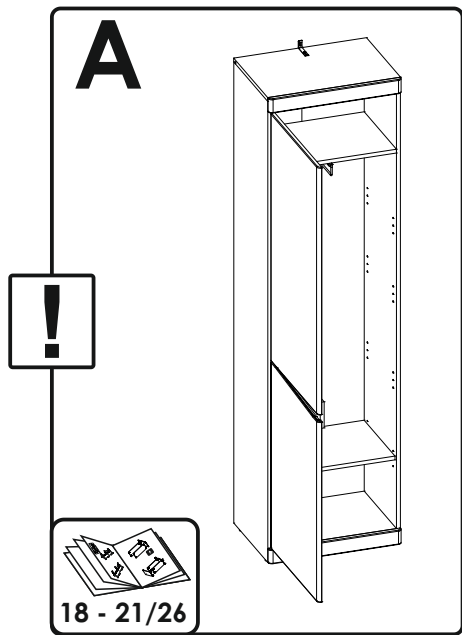
17 ▶



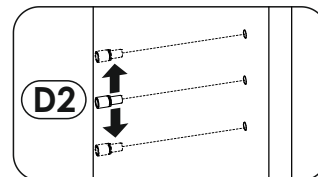
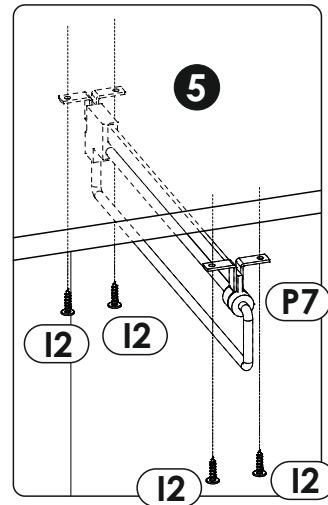
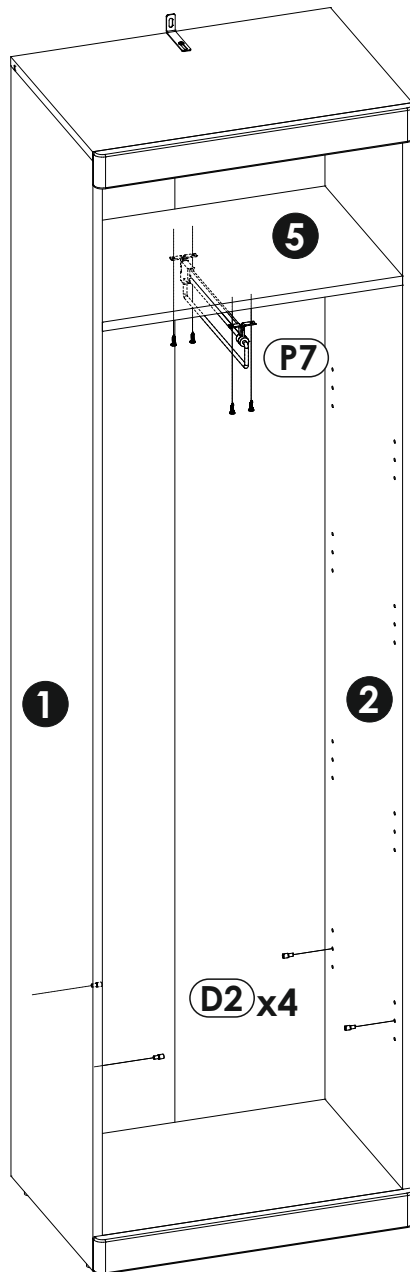
18 ▶



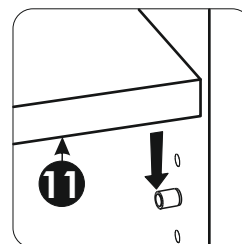
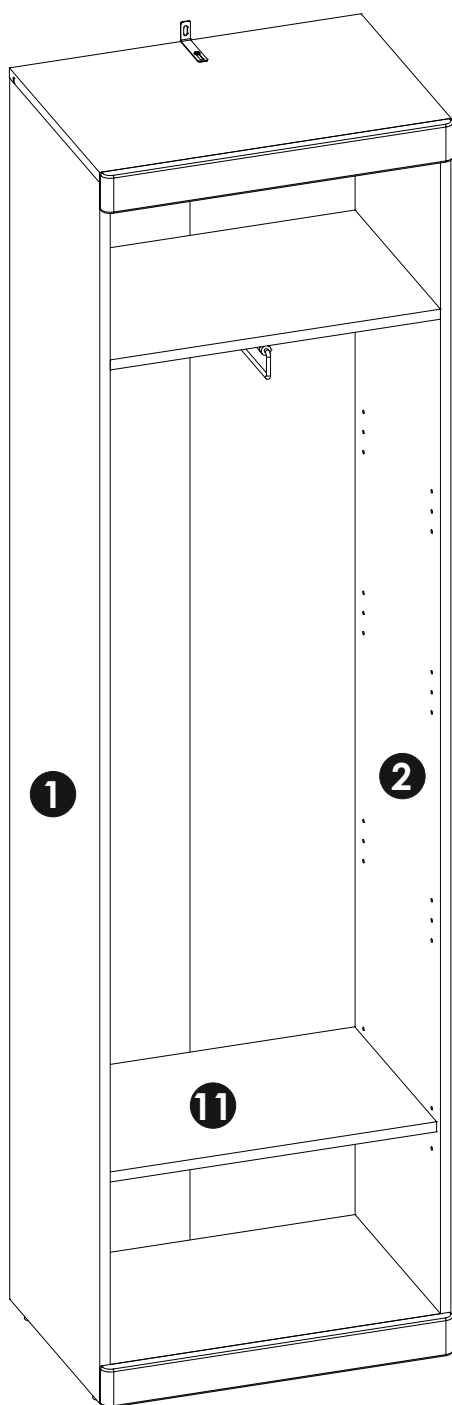




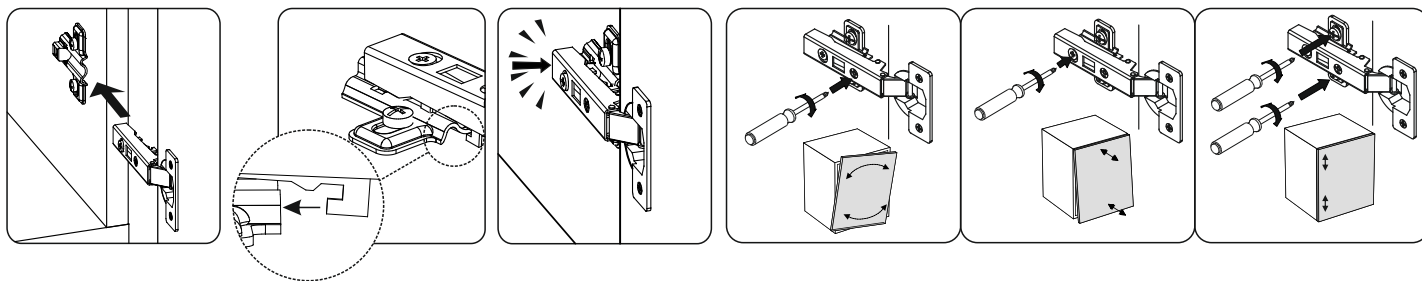
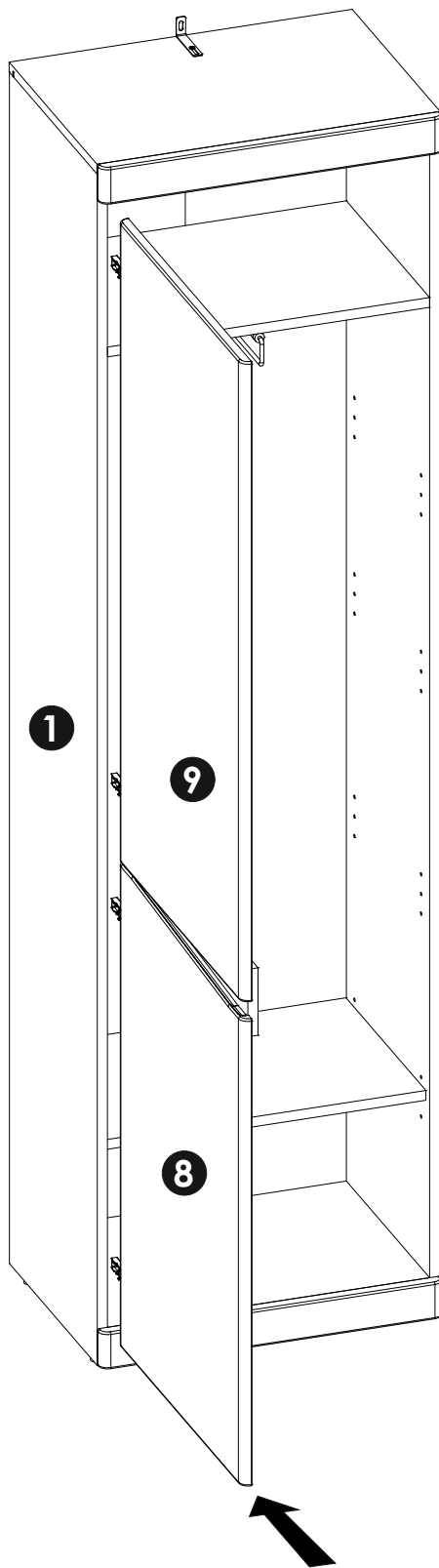
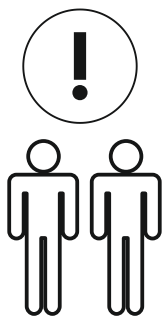
21 ▶



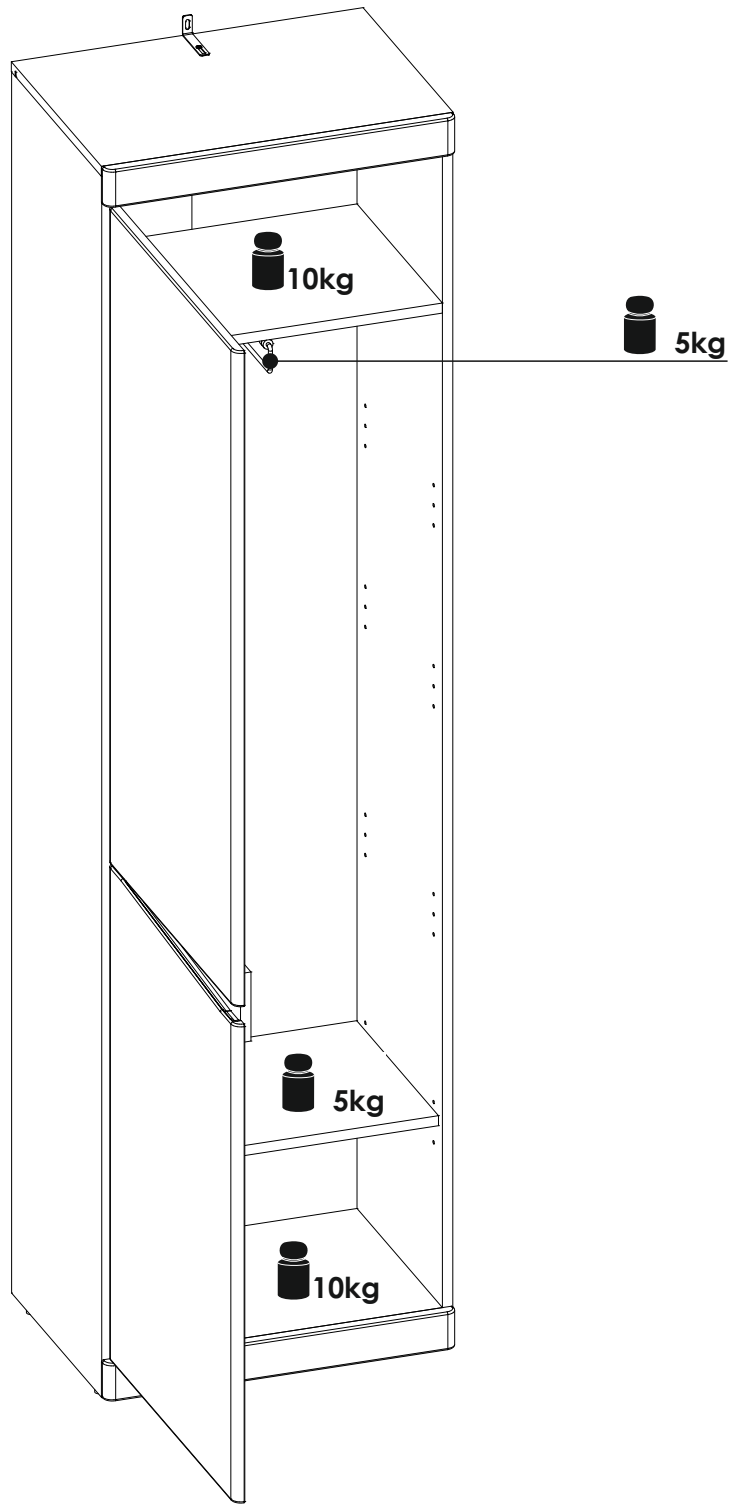
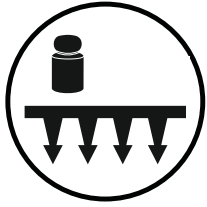
22 ▶

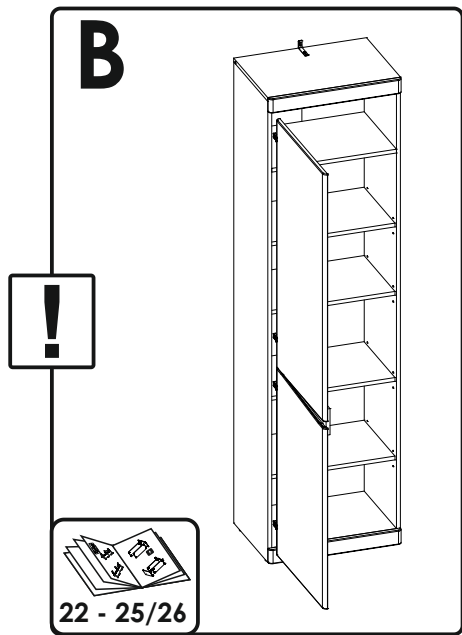


23 ▶

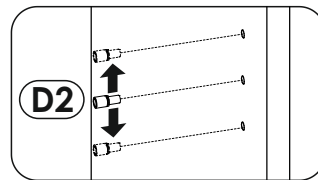
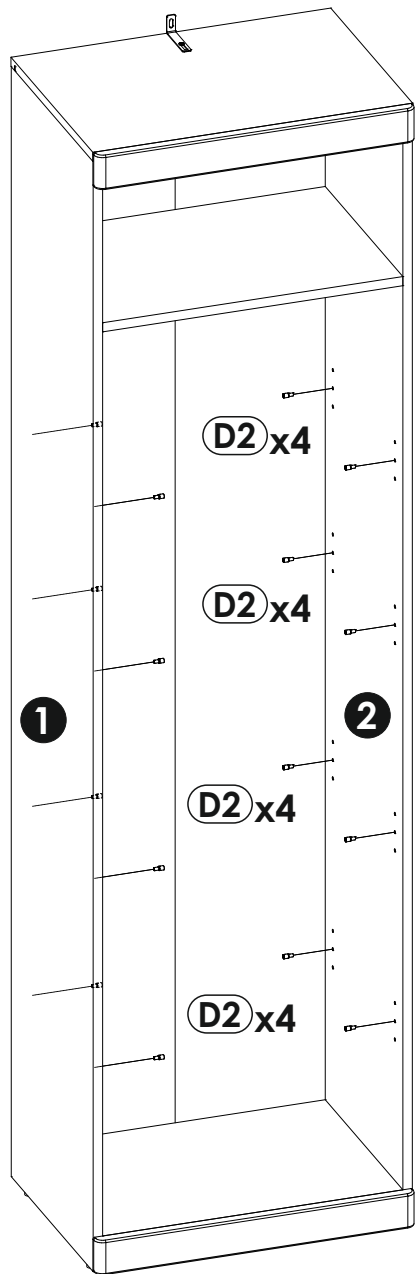


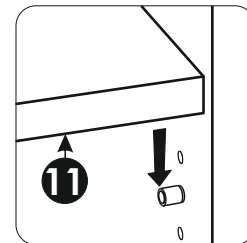
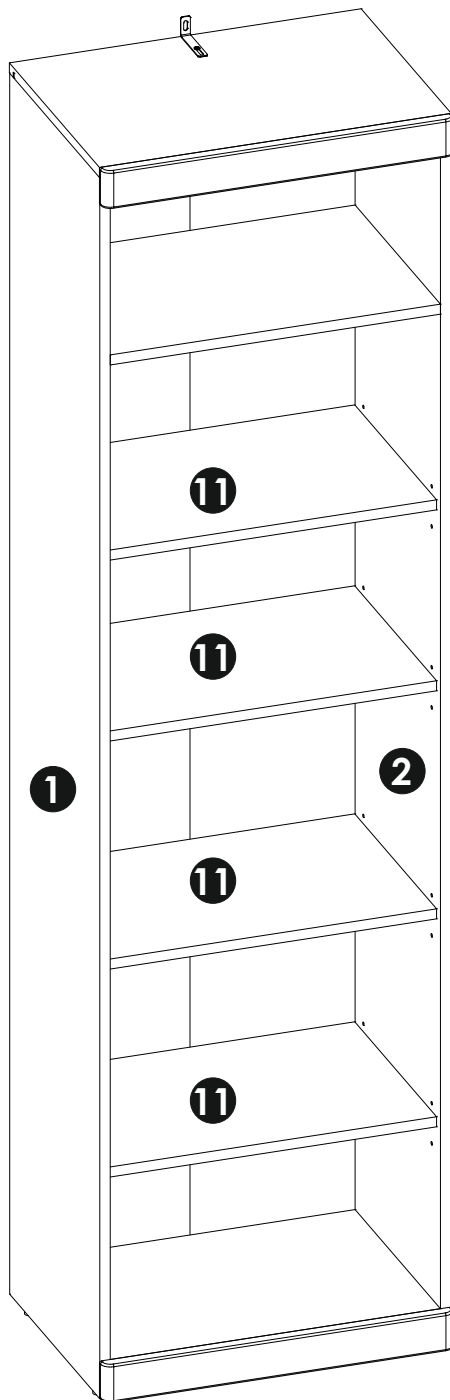
24▶

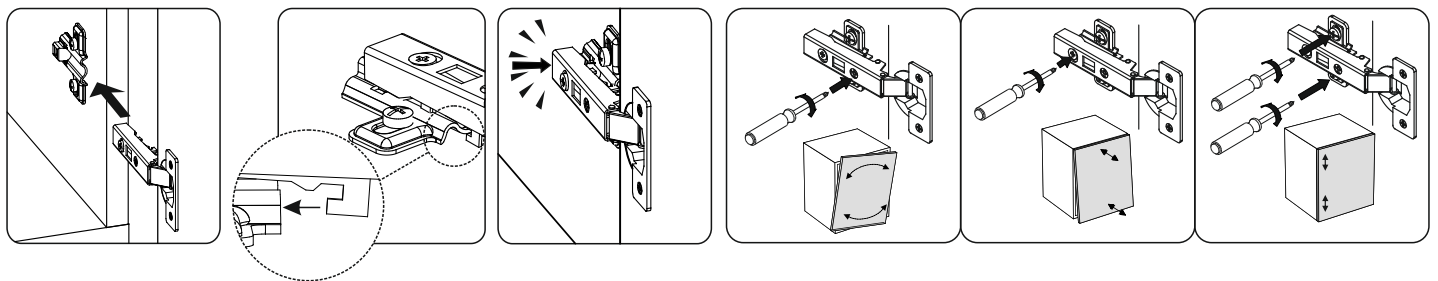
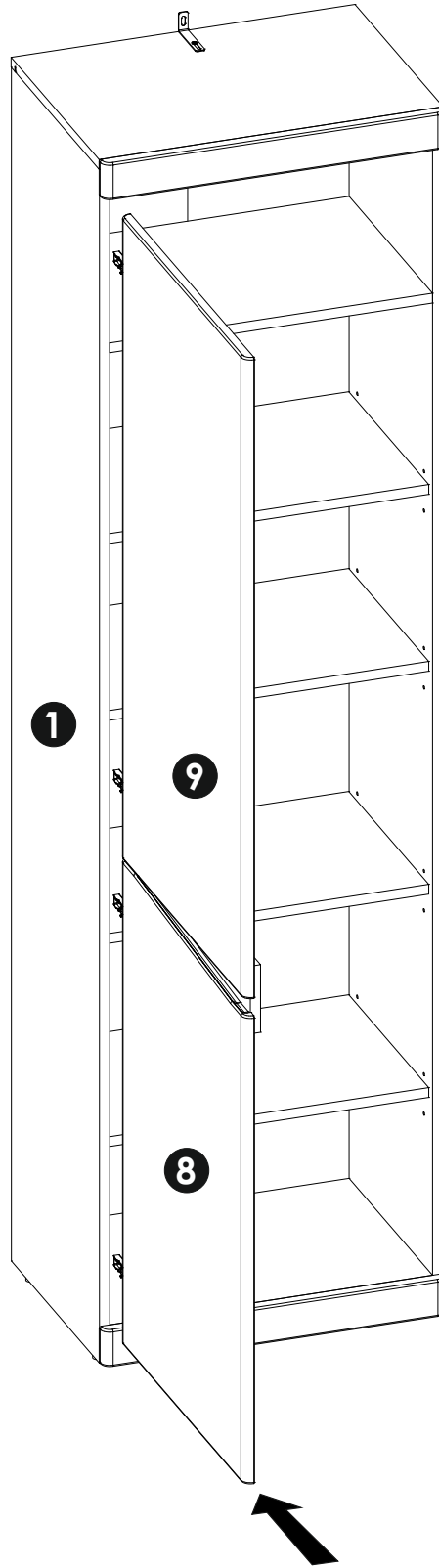
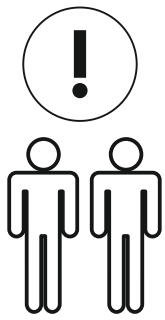




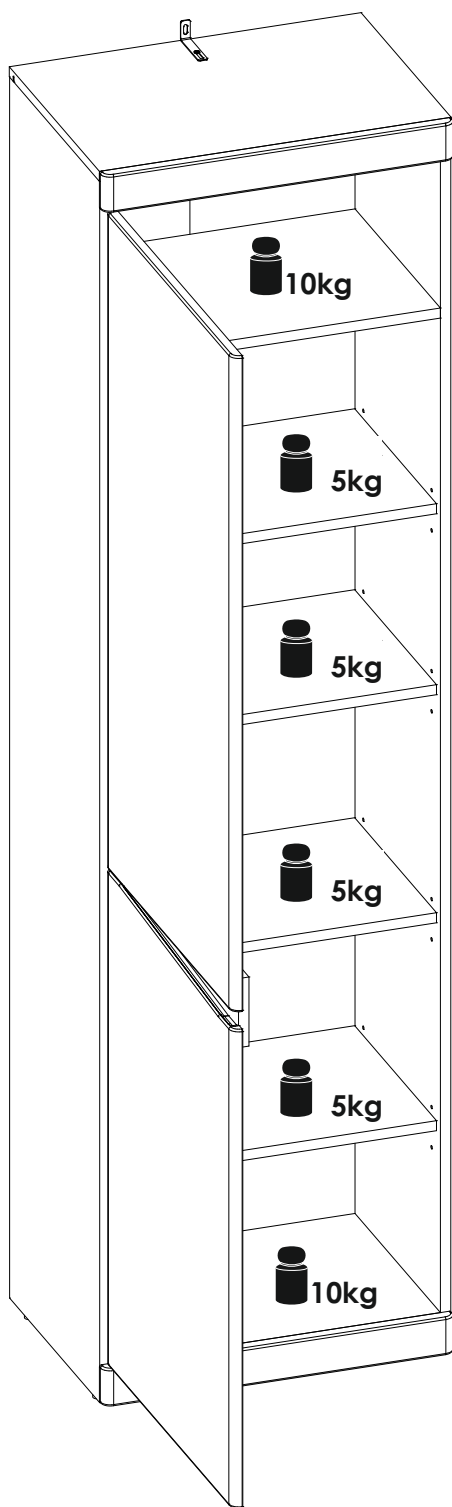
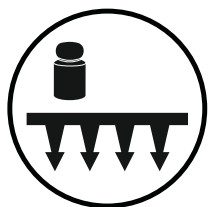
25▶

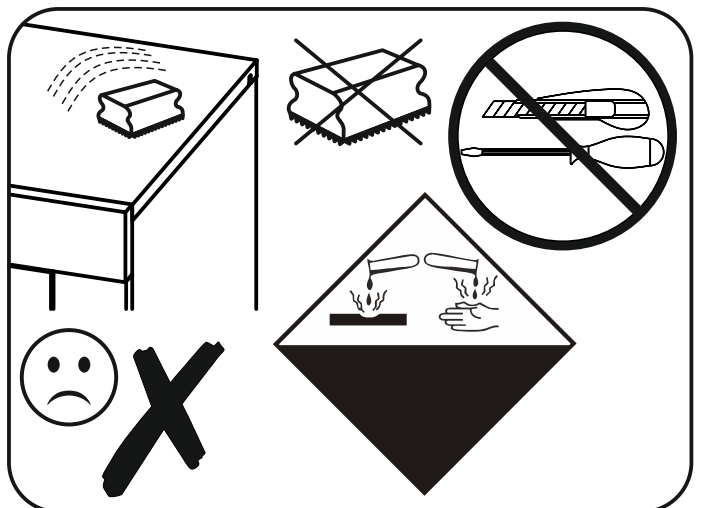
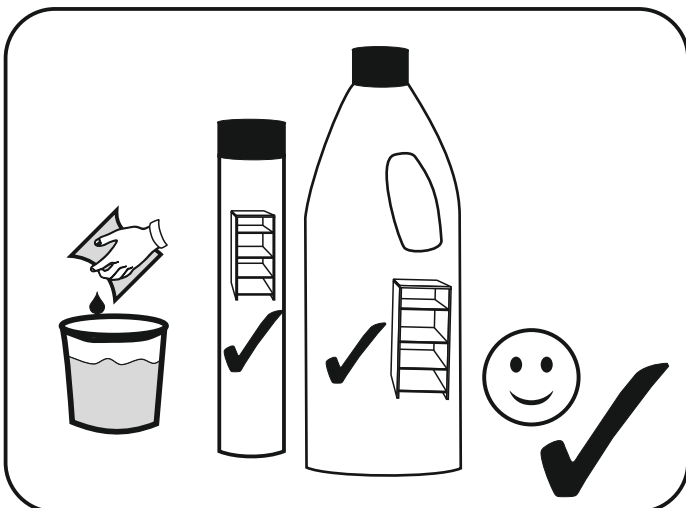
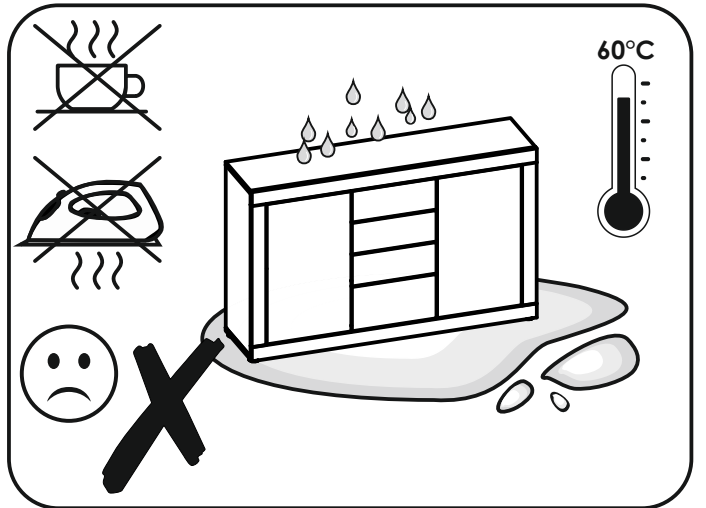
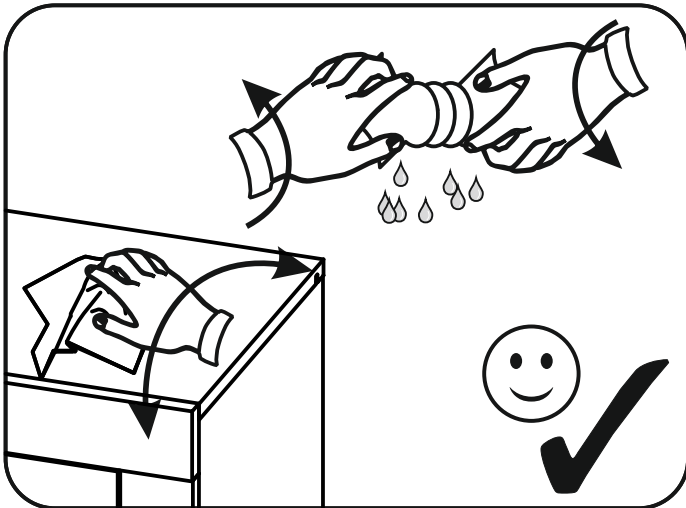
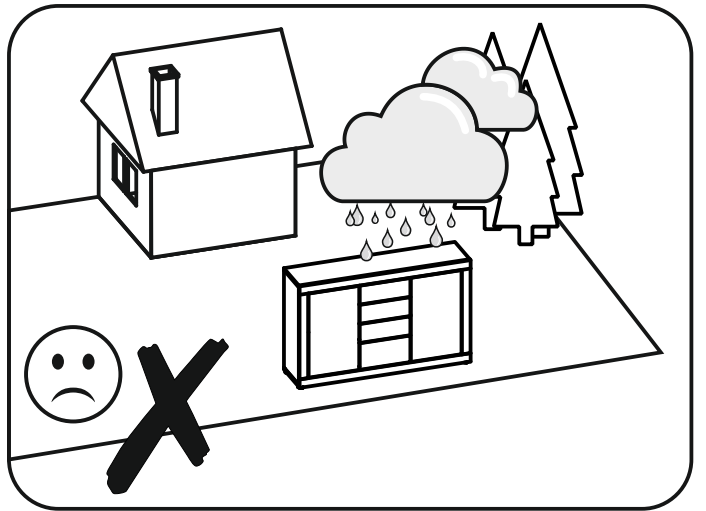
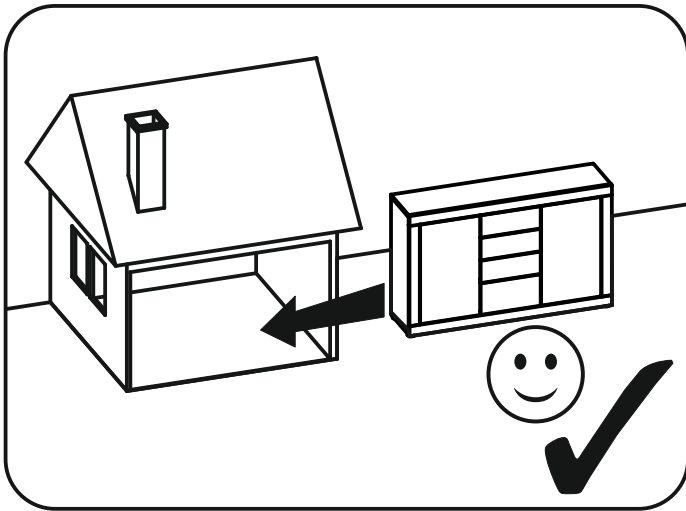
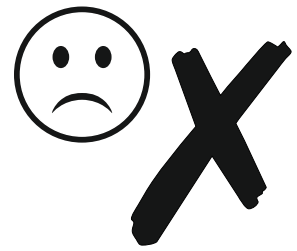


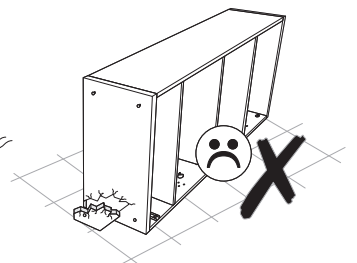
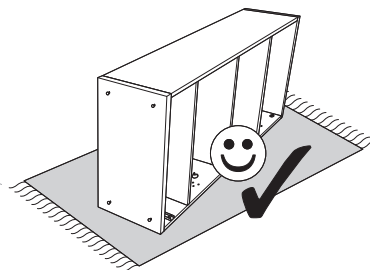
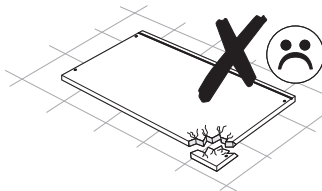
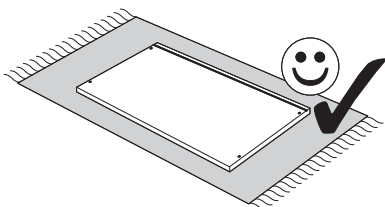
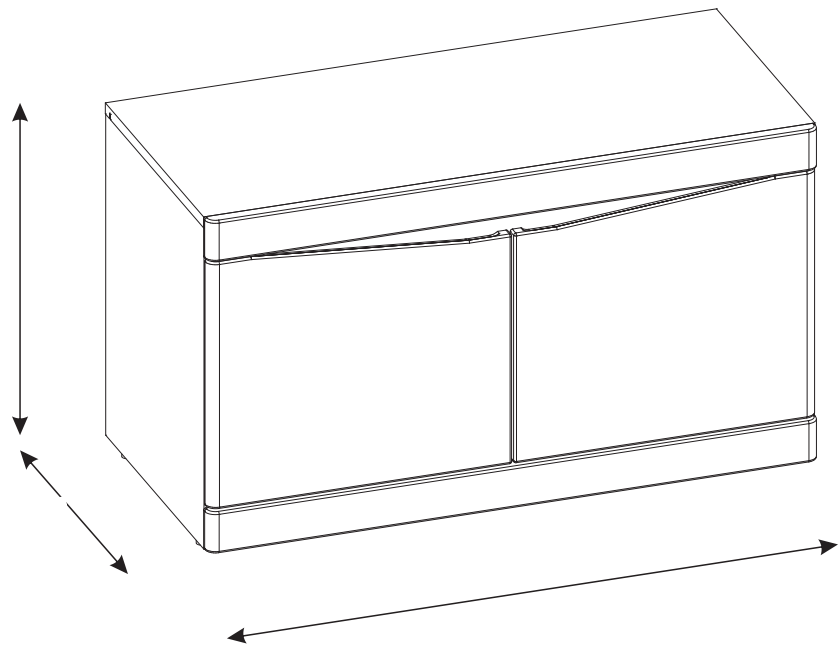
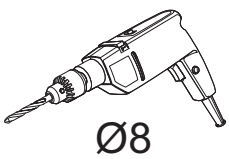
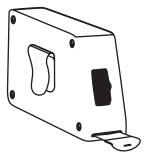
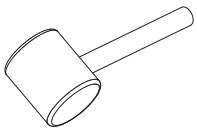
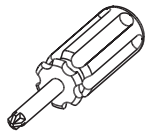
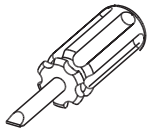
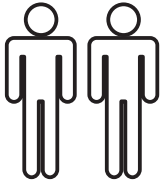


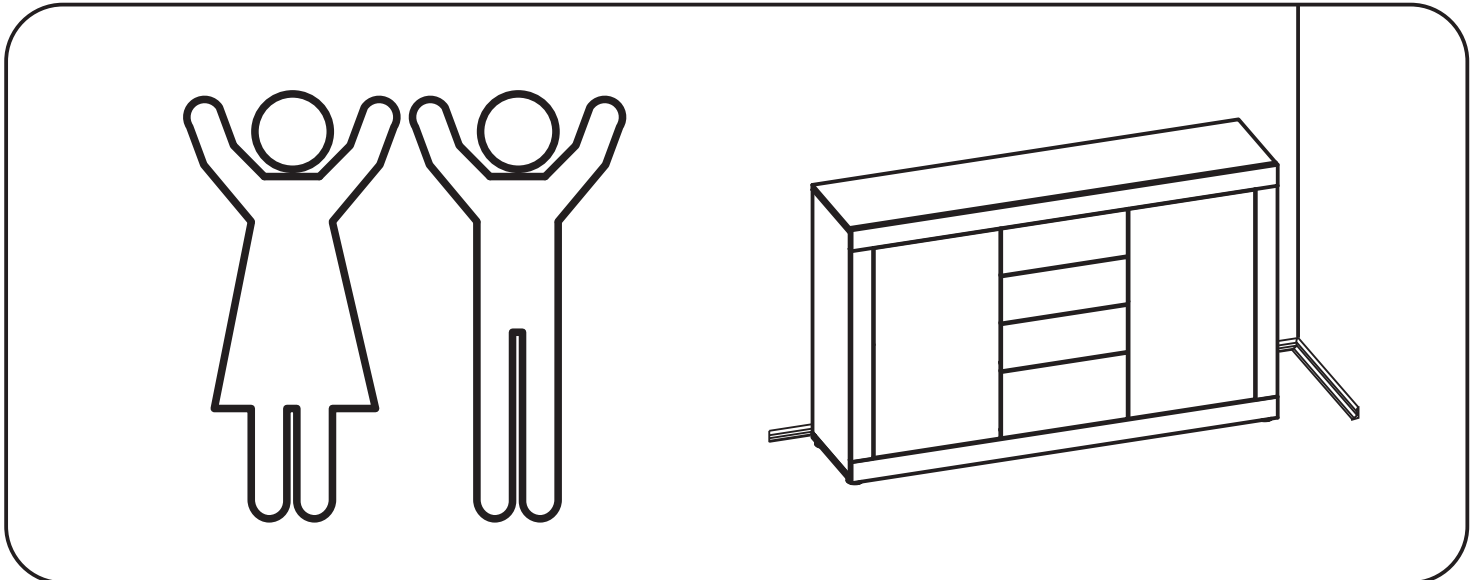
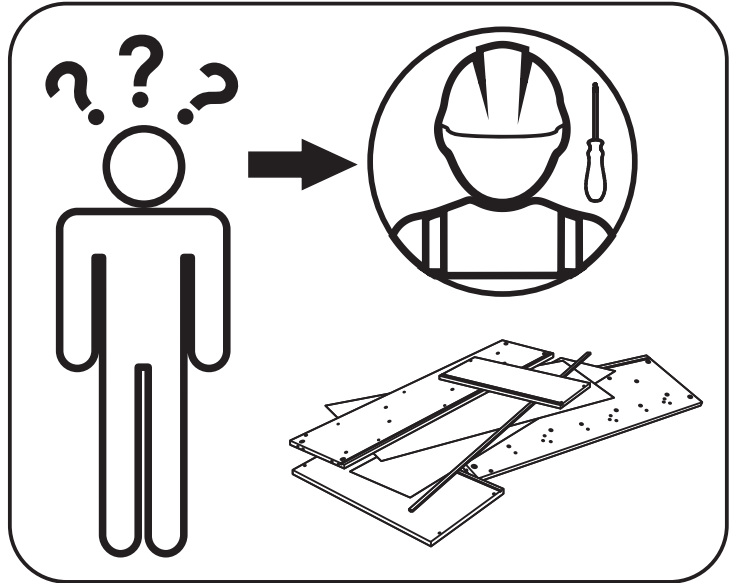
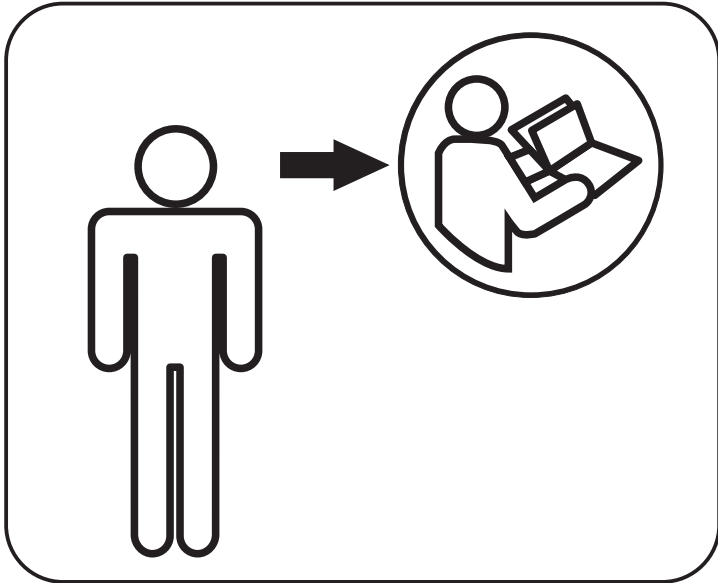
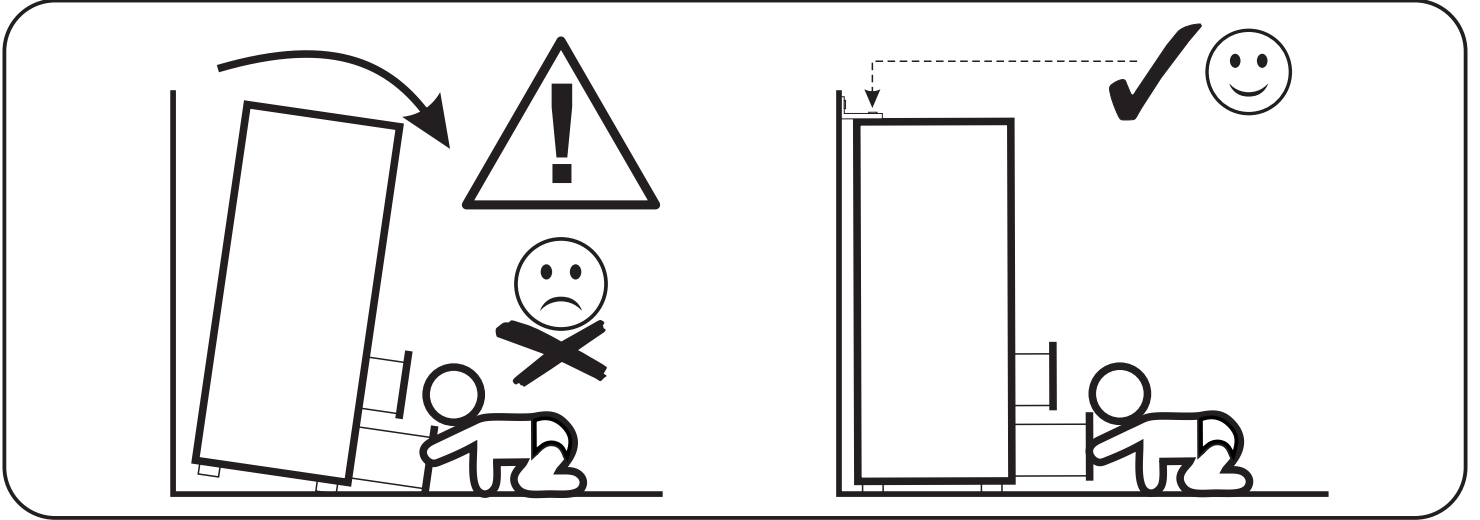
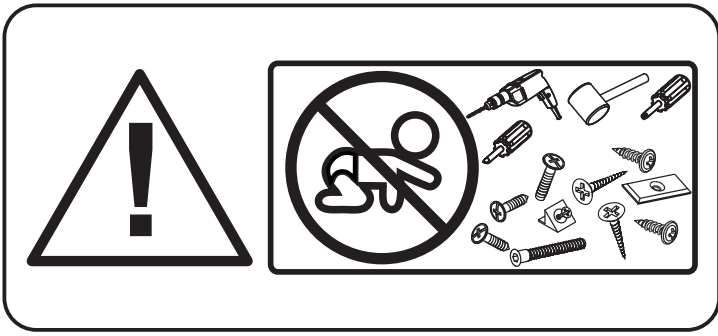


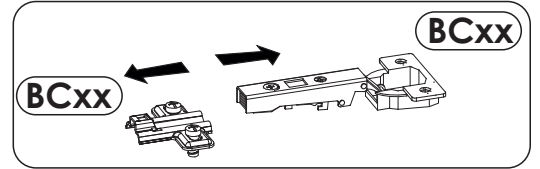
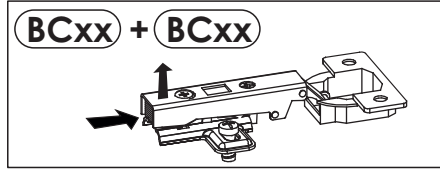
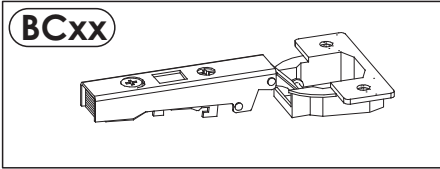
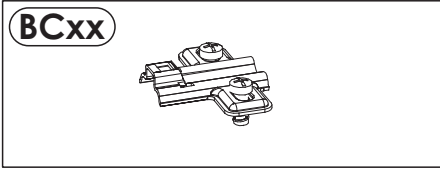
28 ▶

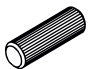
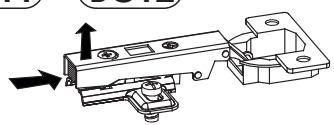
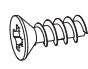
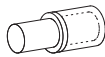

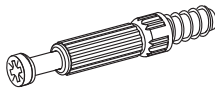
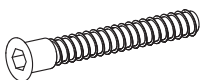
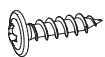
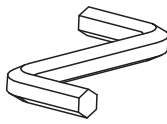
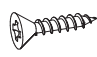
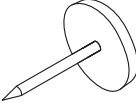
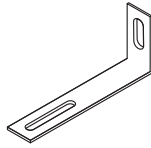
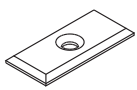
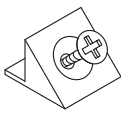
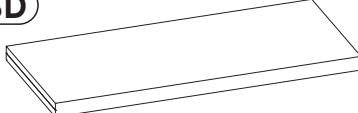
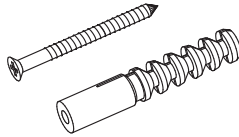
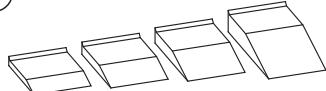


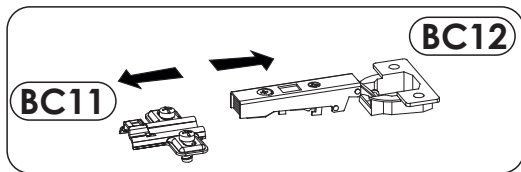
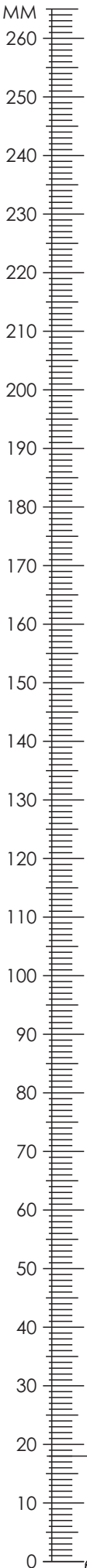


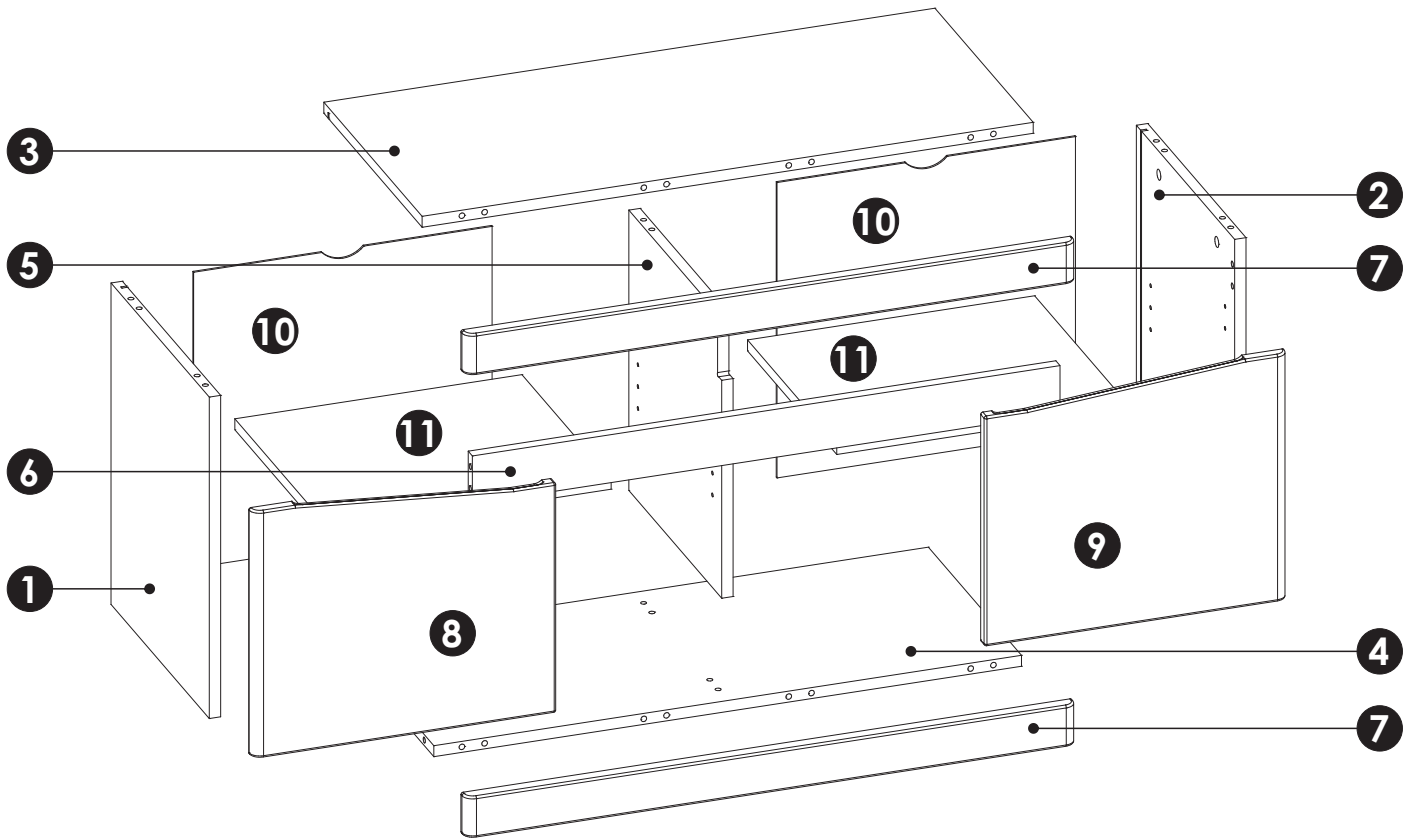






A1 8 x 35 mm x24 	BC11 + BC12 x4 	C2 5 x 13 mm x8 
D2 x8 	E1 15 x 12 mm x18 	F1 6 x 34 mm x18 
G1 7 x 50 mm x2 	I2 4 x 16 mm x2 	M x1 
N1 3 x 16 mm x10 	O2 x4 	Q9 x2 
R1 x2 	R4 x4 	SD x1 
S13 x2  Ø8	Z x1 	

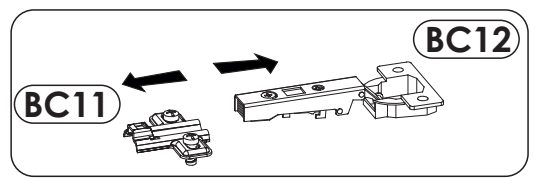
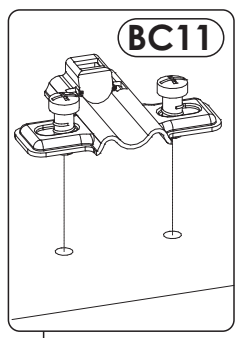
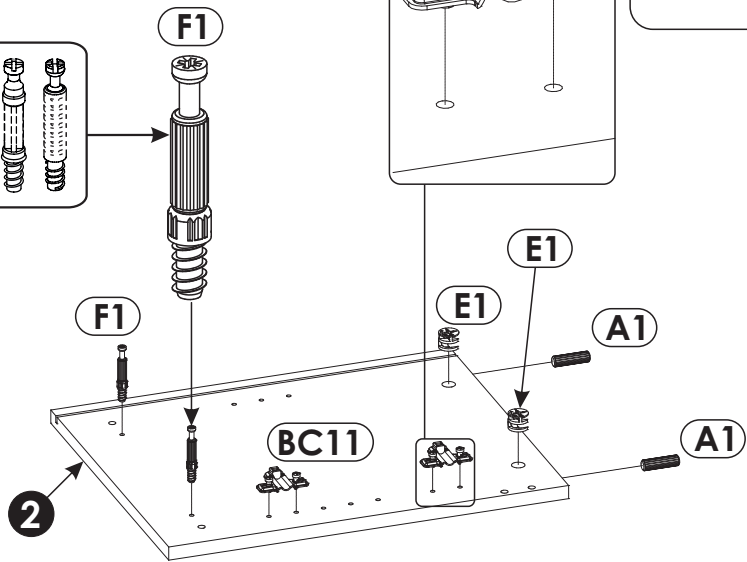
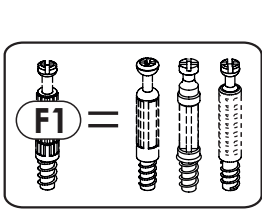
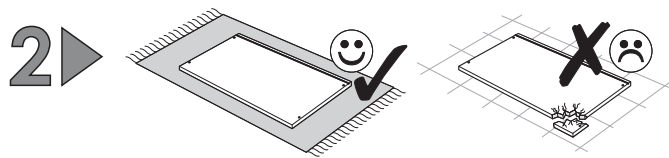
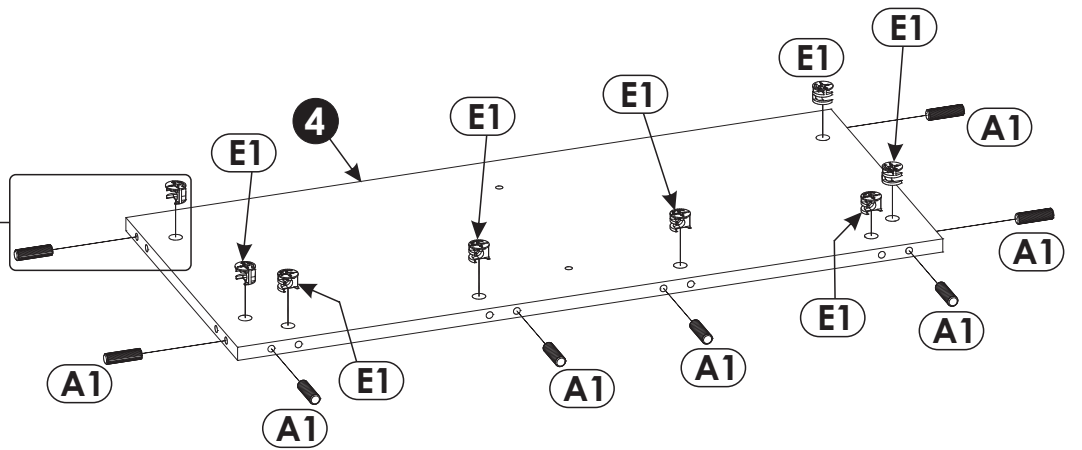
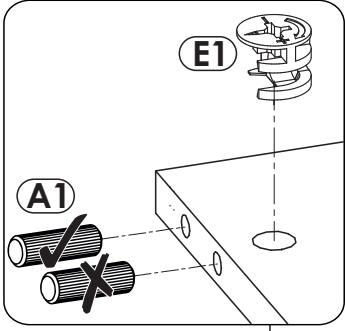
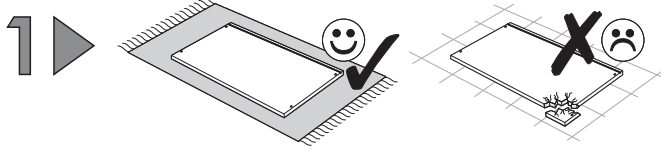
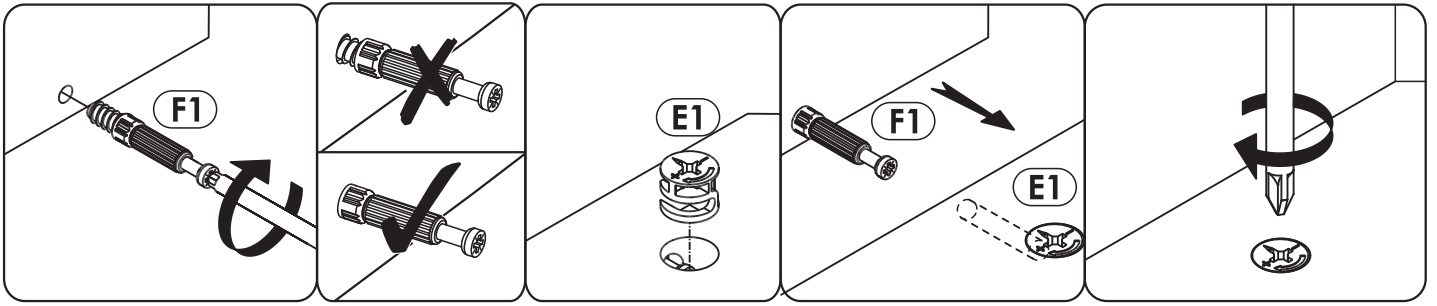




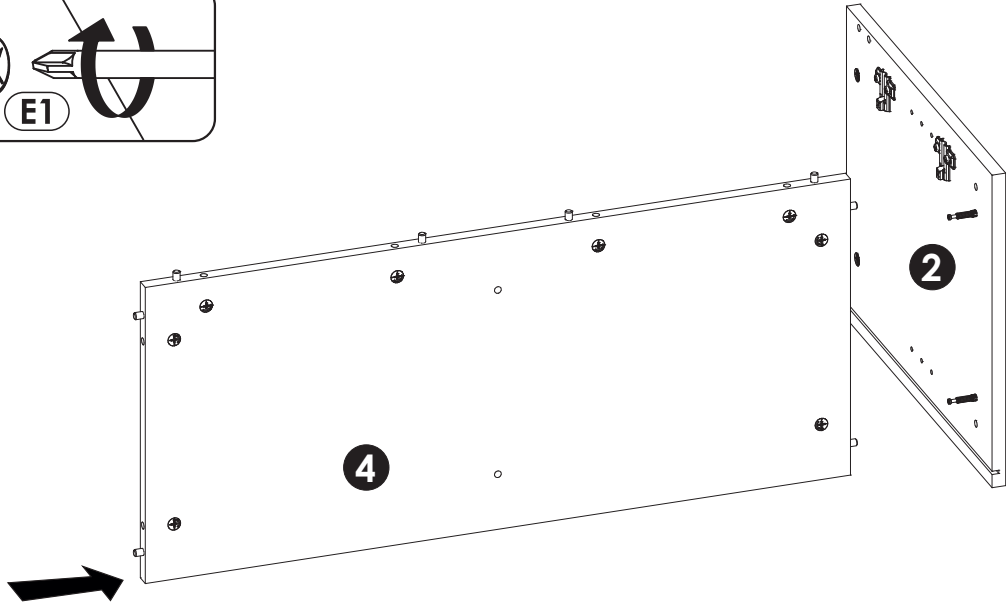
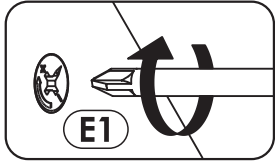
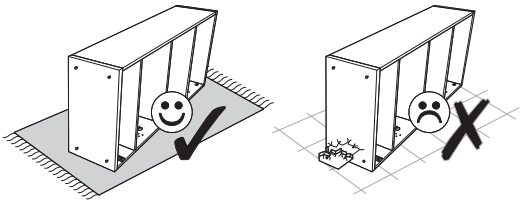
1	469	380	16	x1	1/1
2	469	380	16	x1	1/1
3	860	380	16	x1	1/1
4	827	360	16	x1	1/1

5	409	359	16	x1	1/1
6	827	70	16	x1	1/1
7	860	60	19	x2	1/1
8	427	360	16	x1	1/1

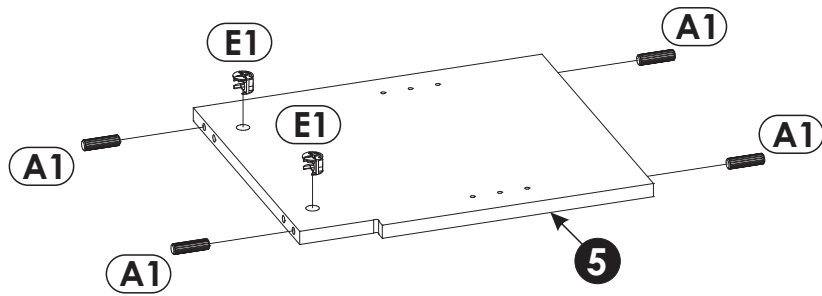
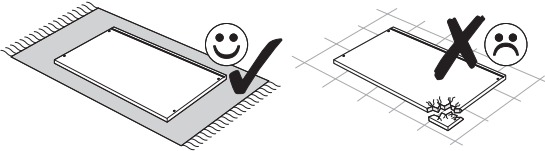
9	427	360	16	x1	1/1
10	431	420	3	x2	1/1
11	404	345	16	x2	1/1



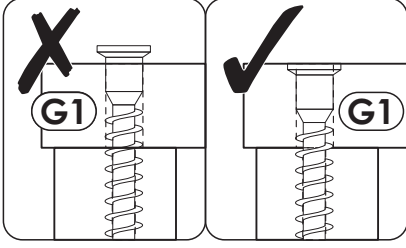
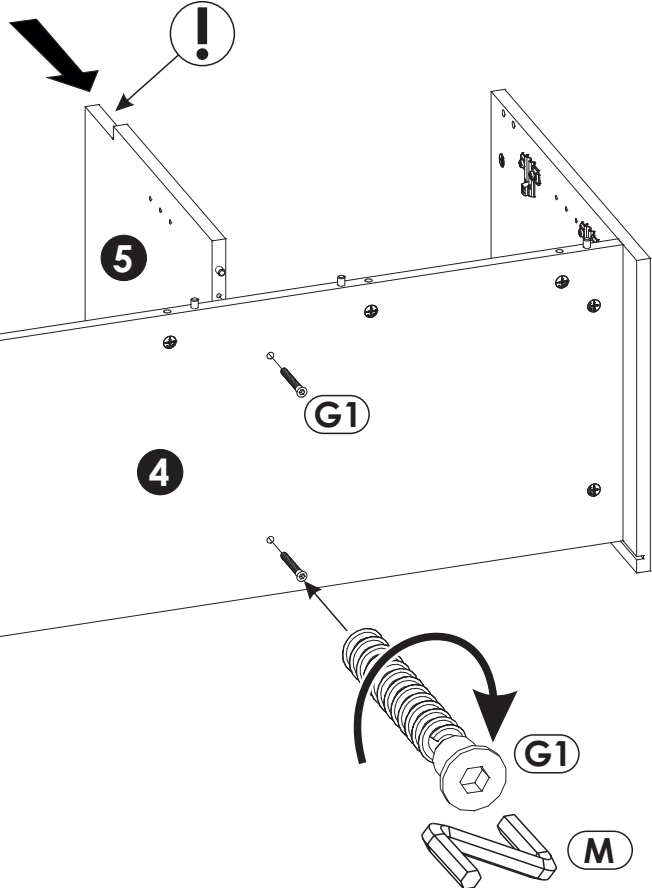
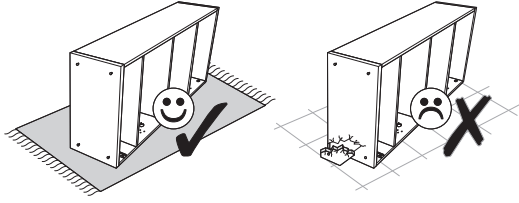
3 ▶



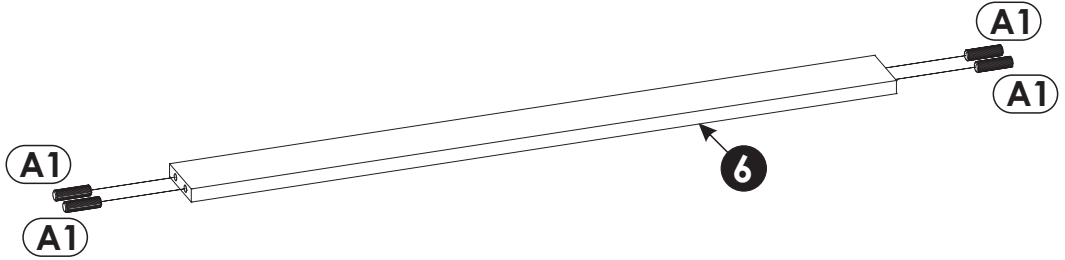
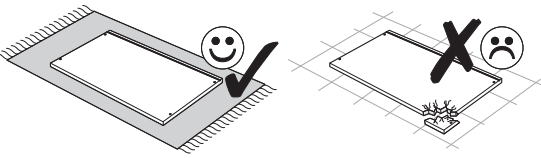
4 ▶

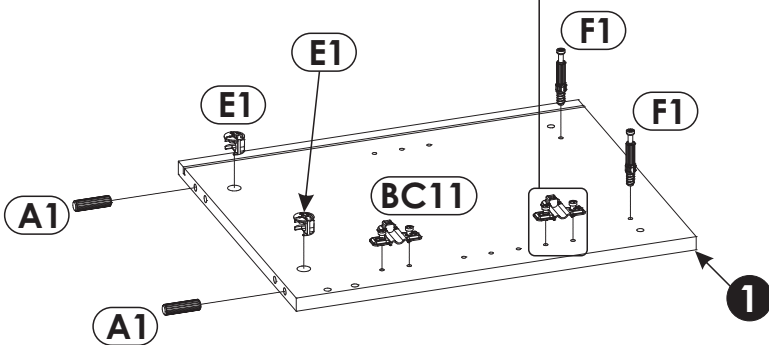
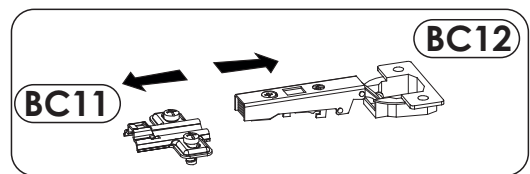
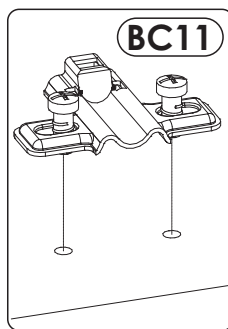
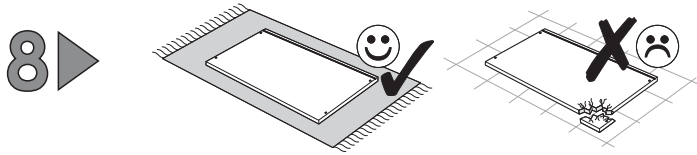
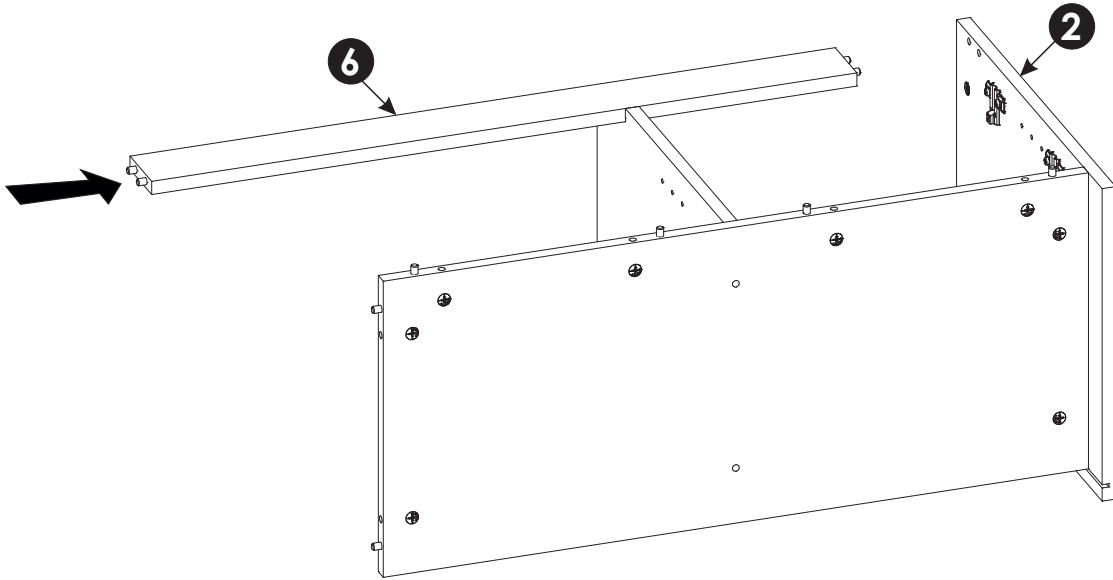
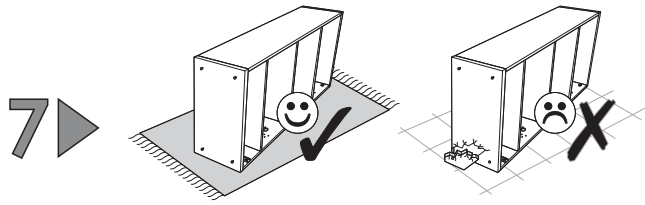


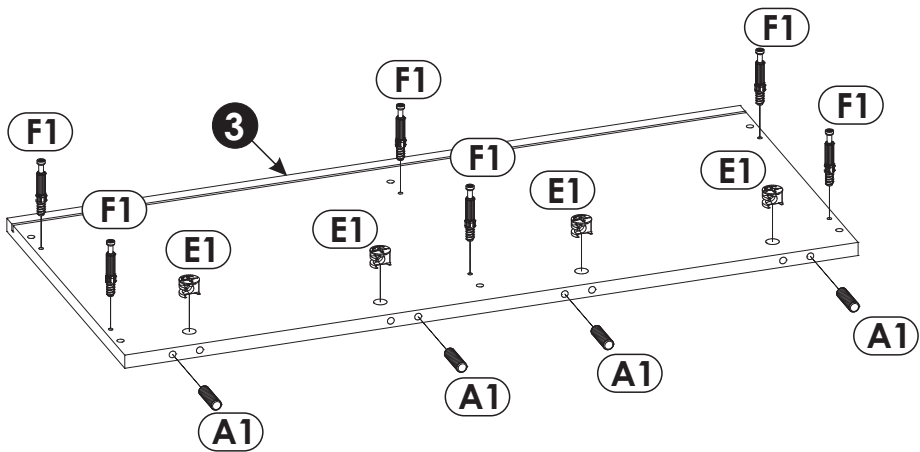
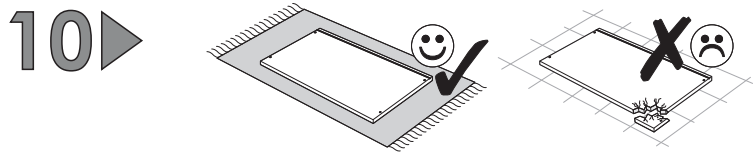
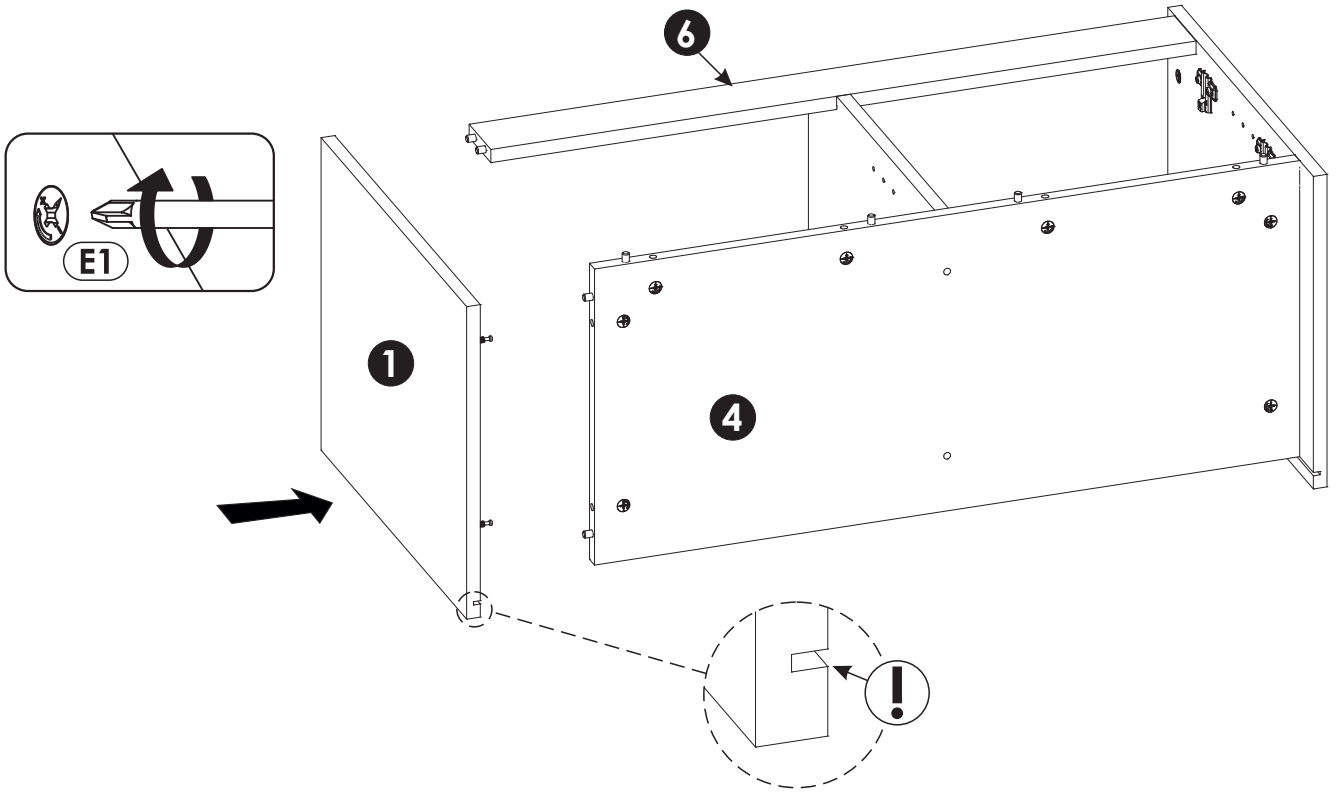
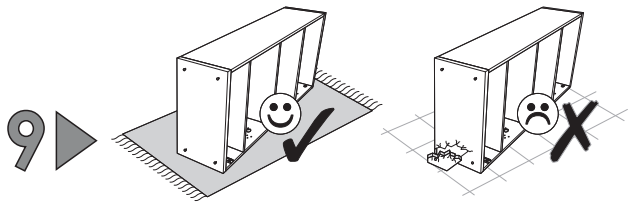
5 ▶



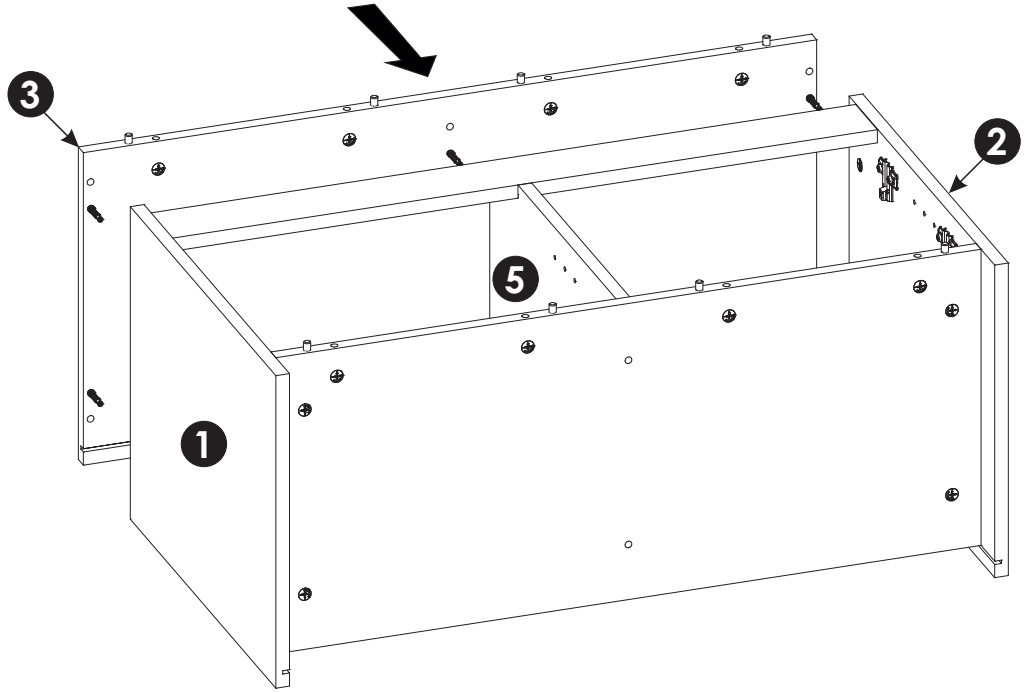
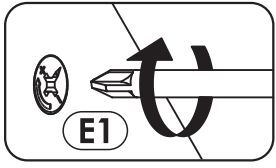
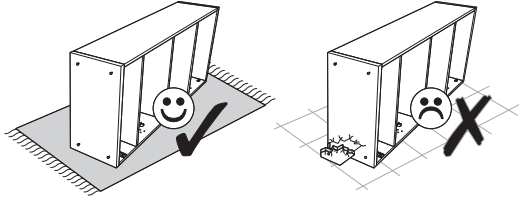
6 ▶



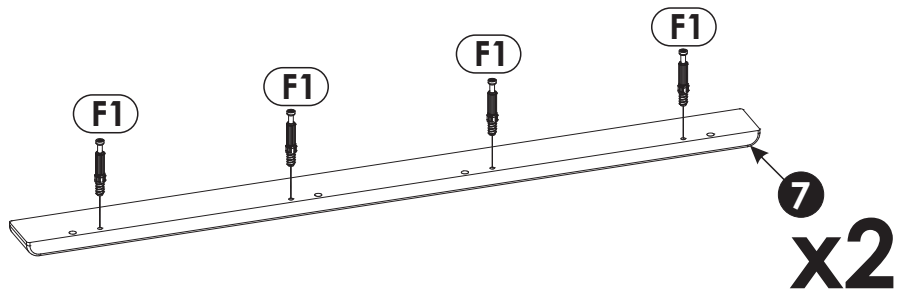
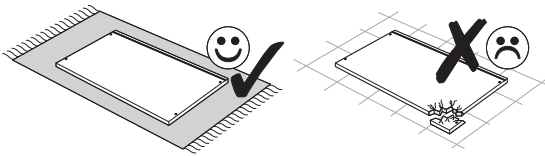




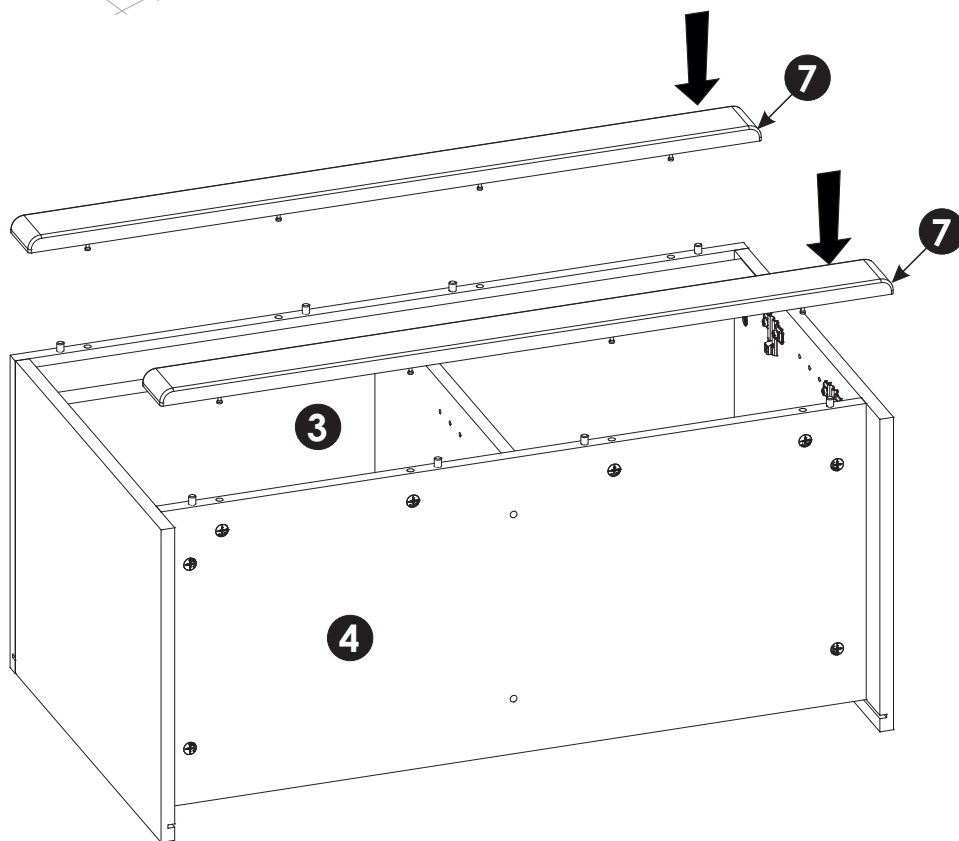
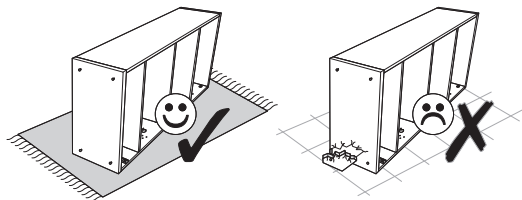
11 ▶



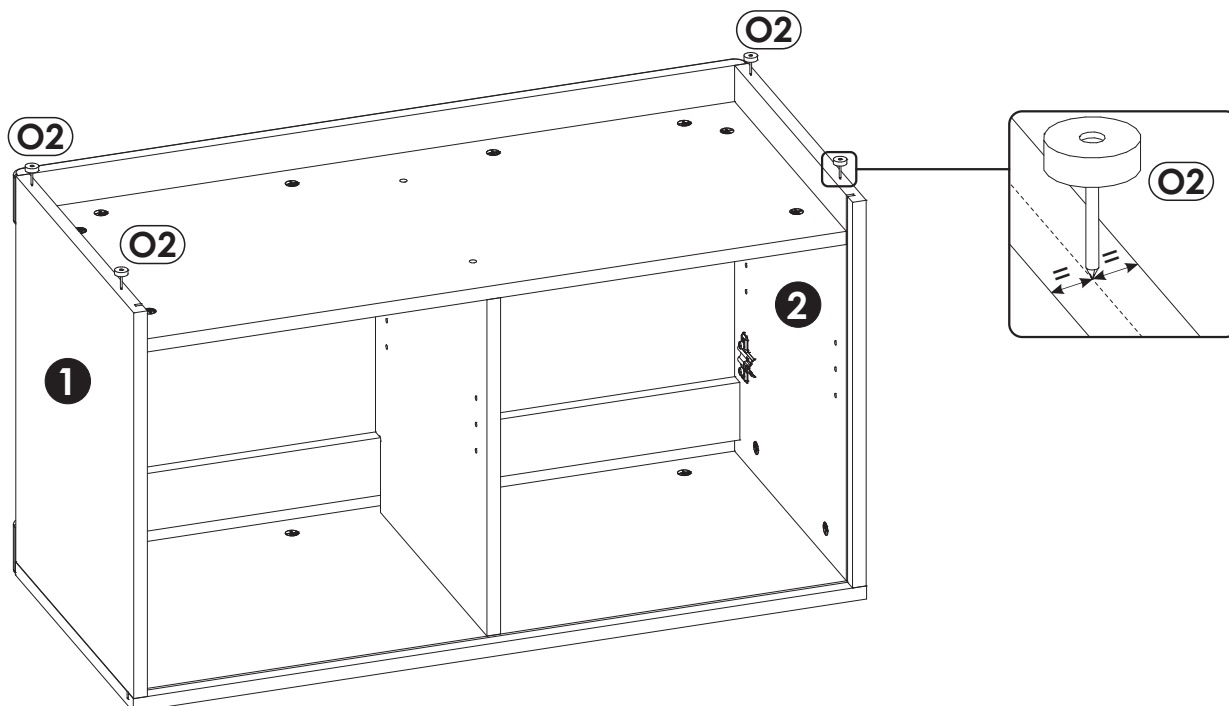
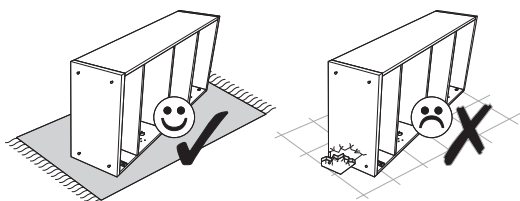
12 ▶



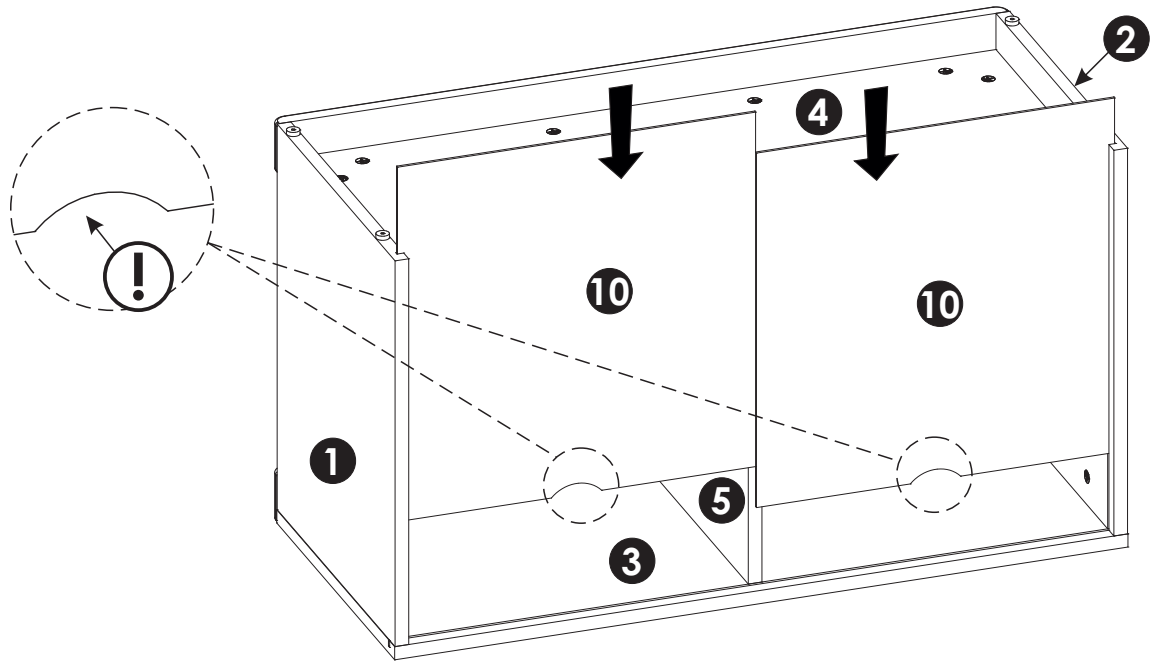
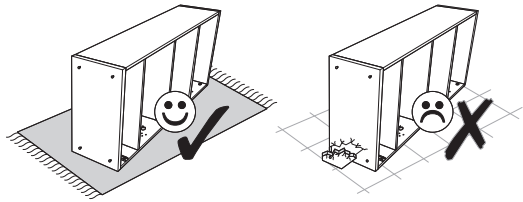
13 ▶



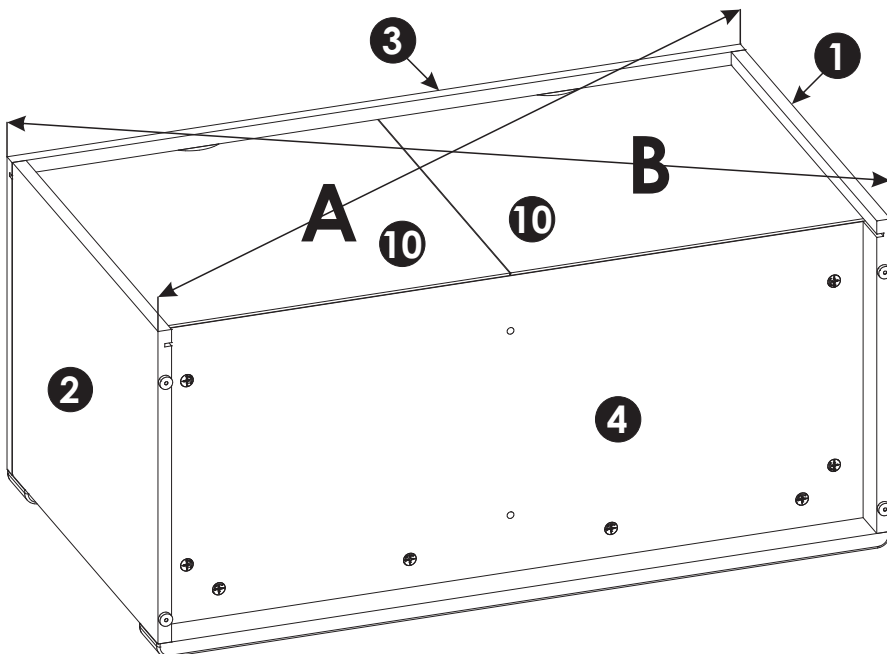
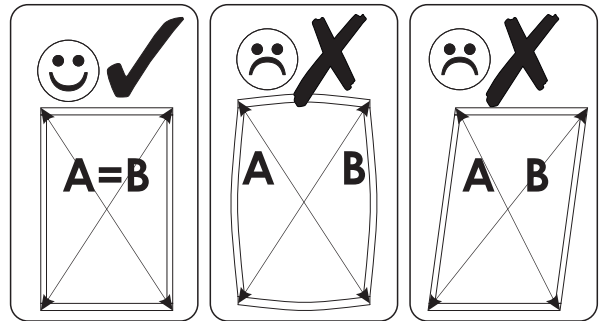
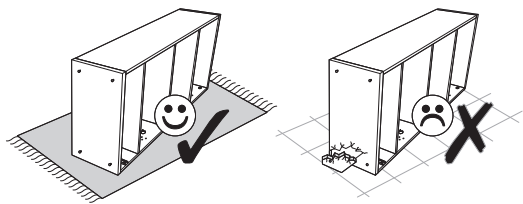
14 ▶



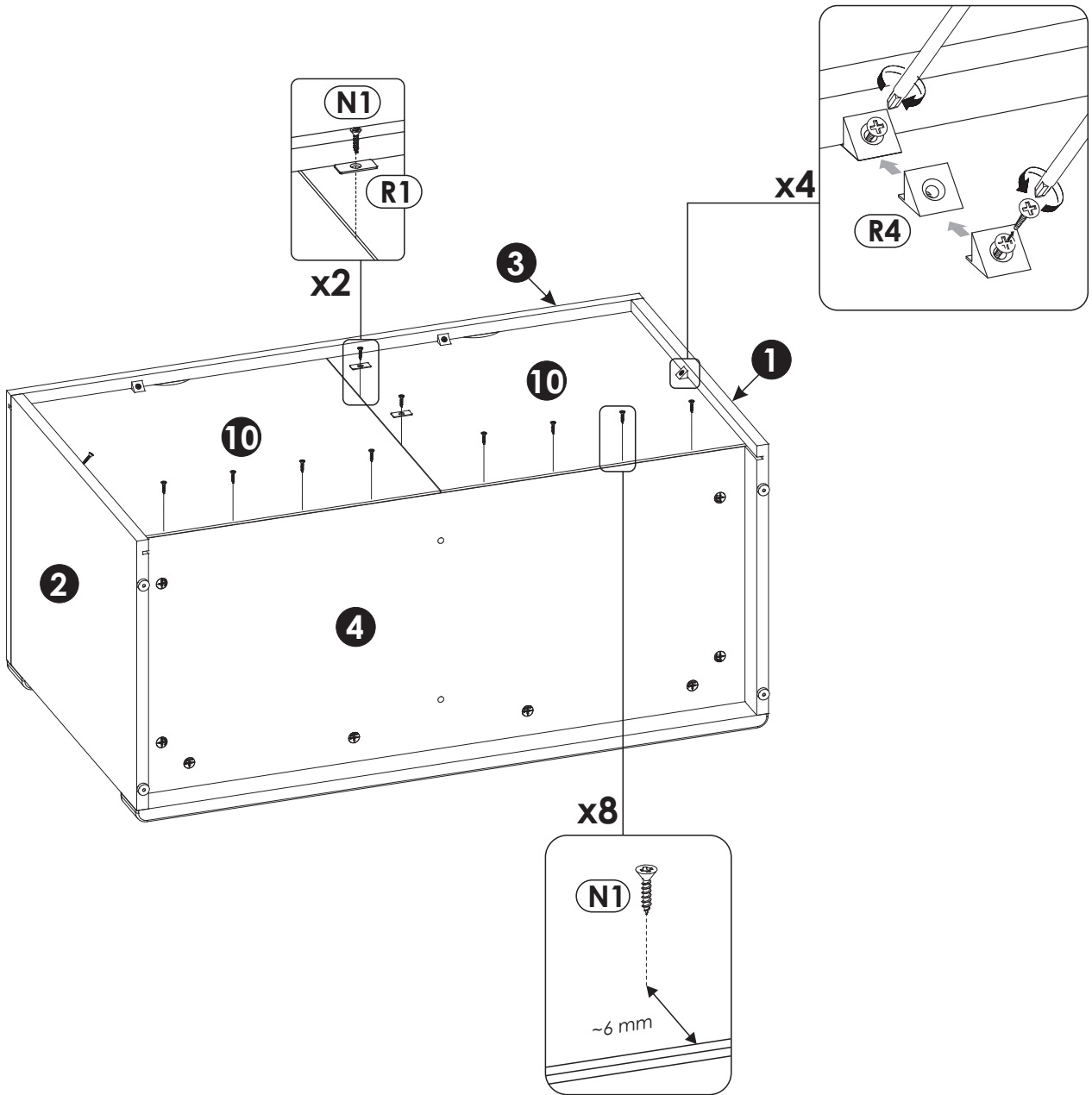
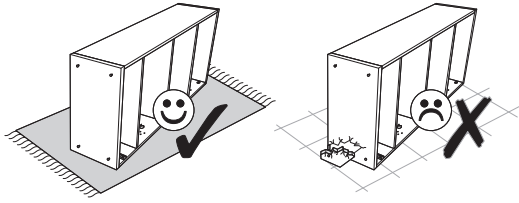
15▶

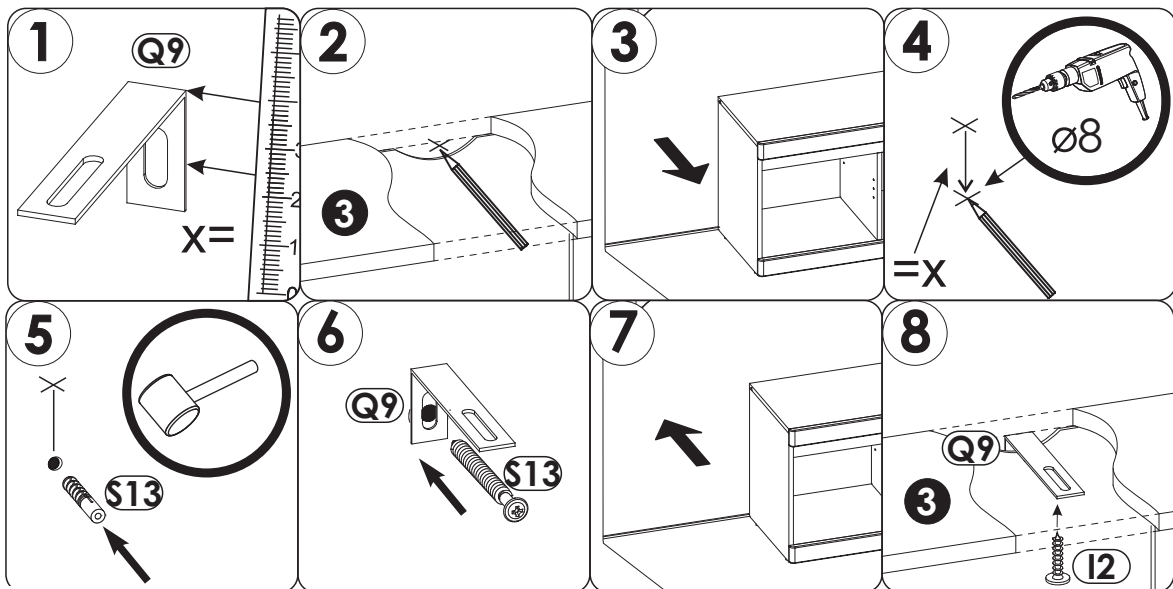
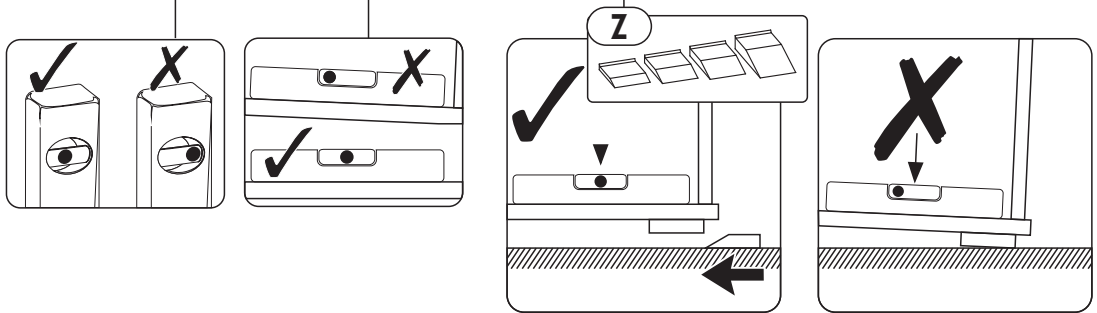
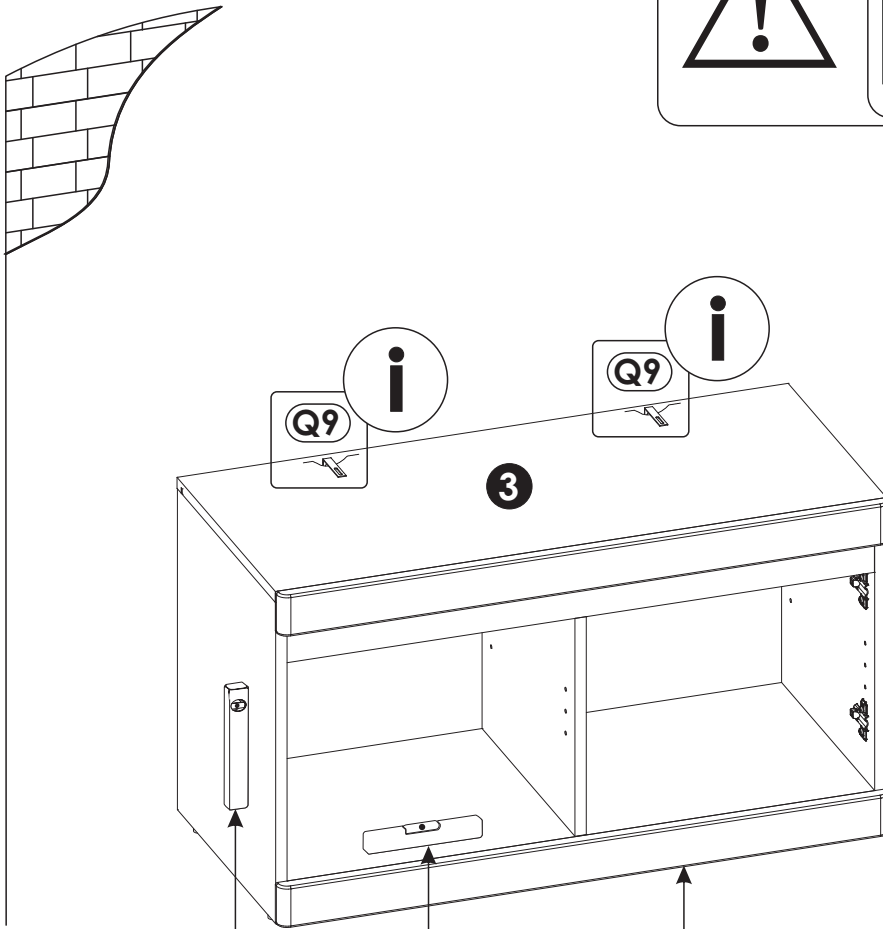
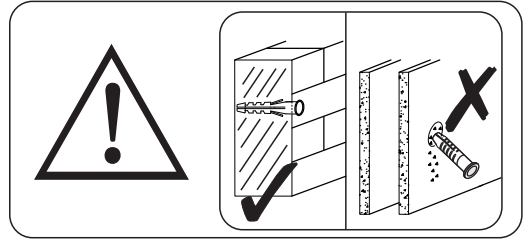


16▶

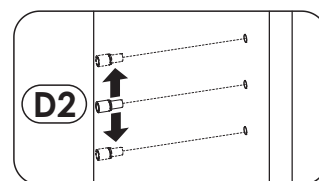
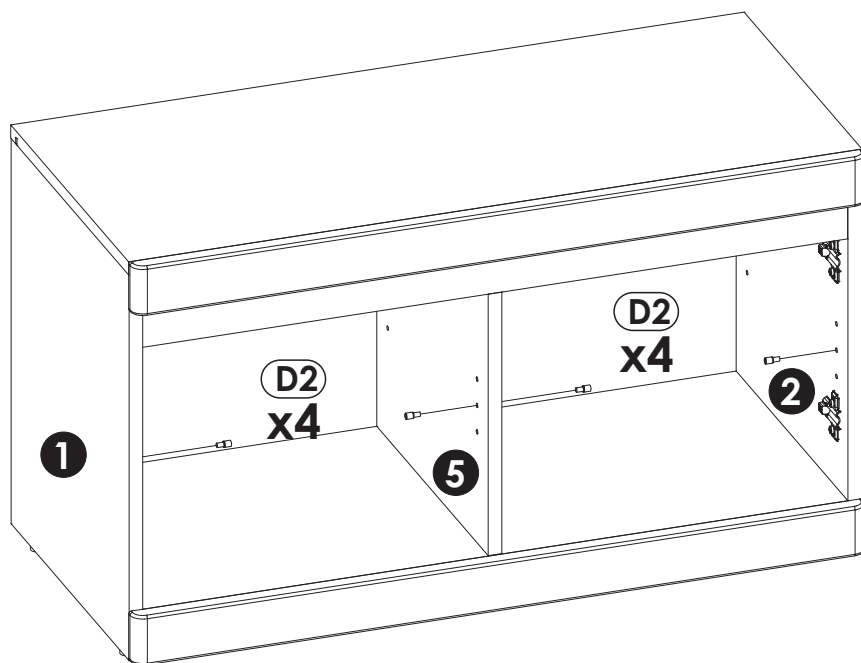


17 ▶

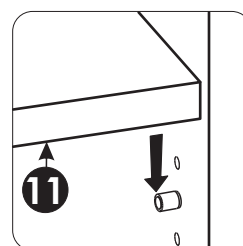
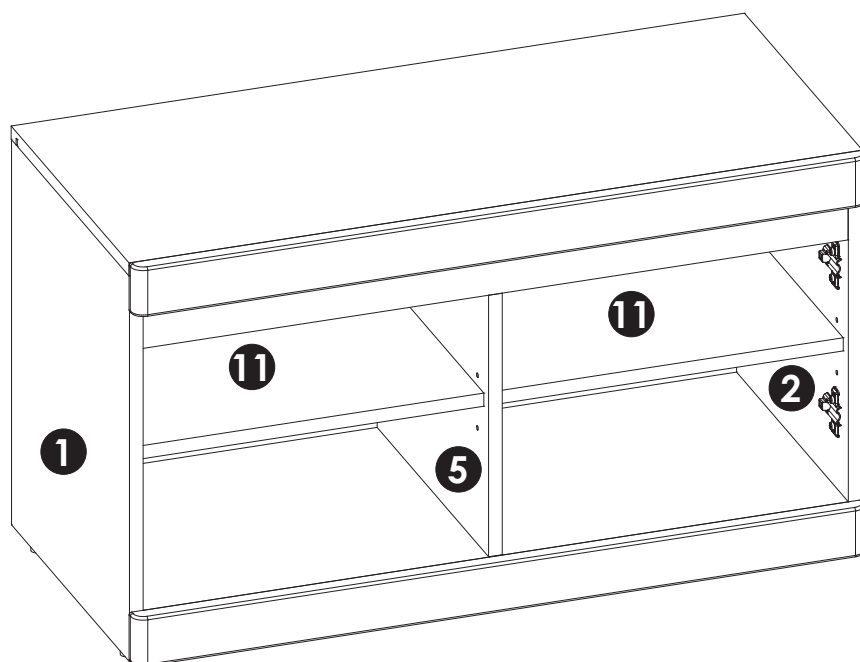




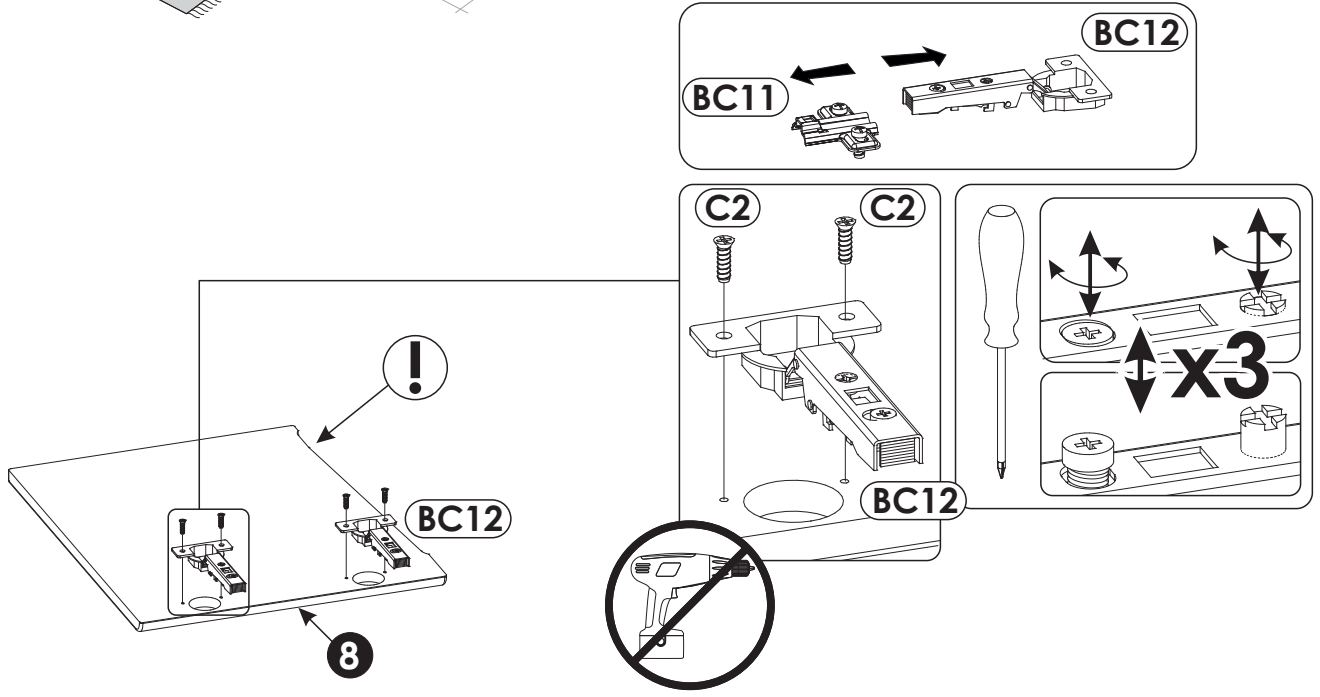
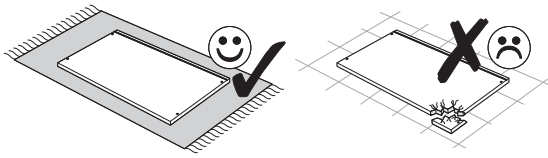
19▶



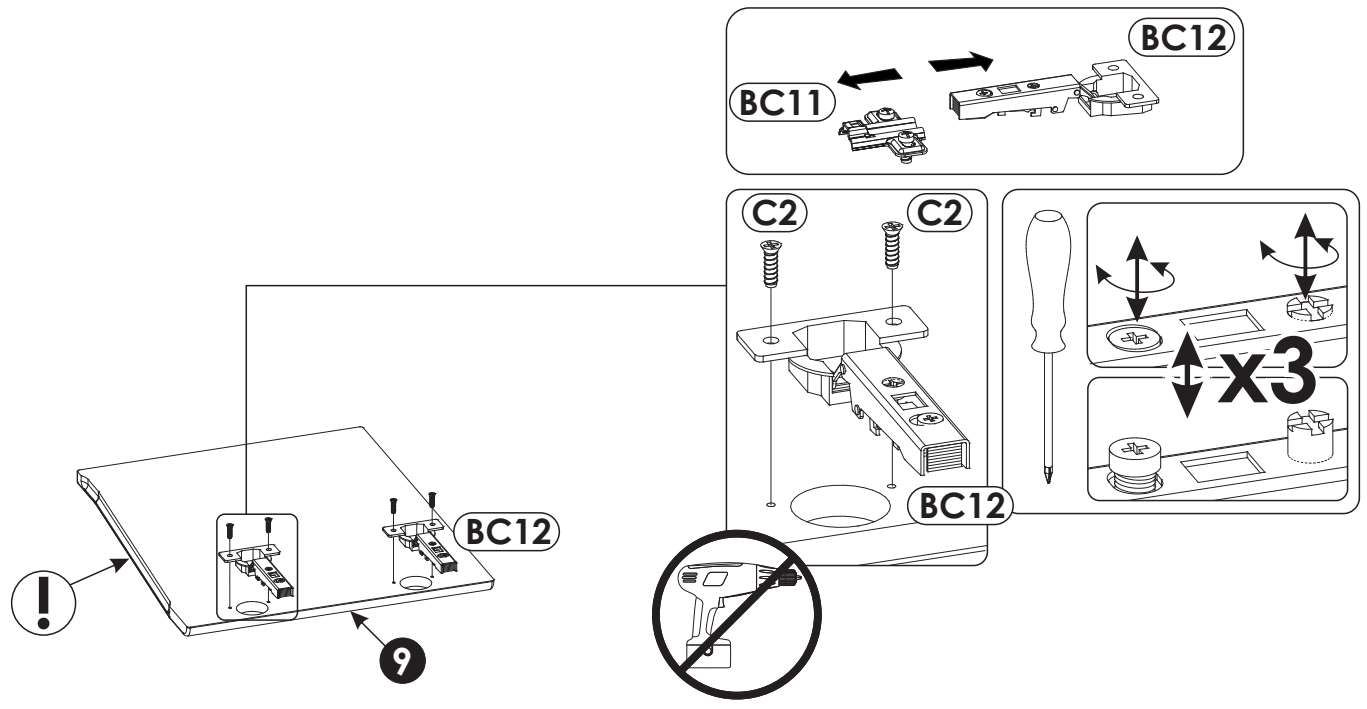
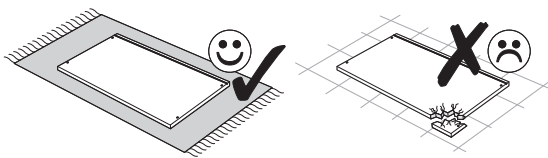
20▶



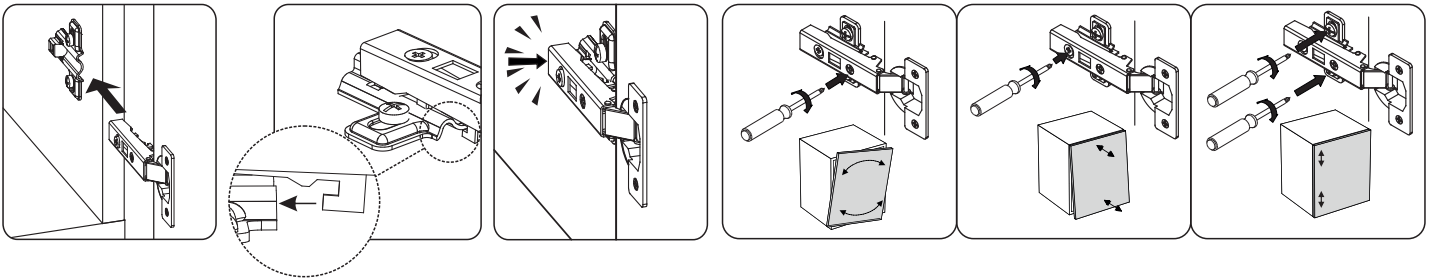
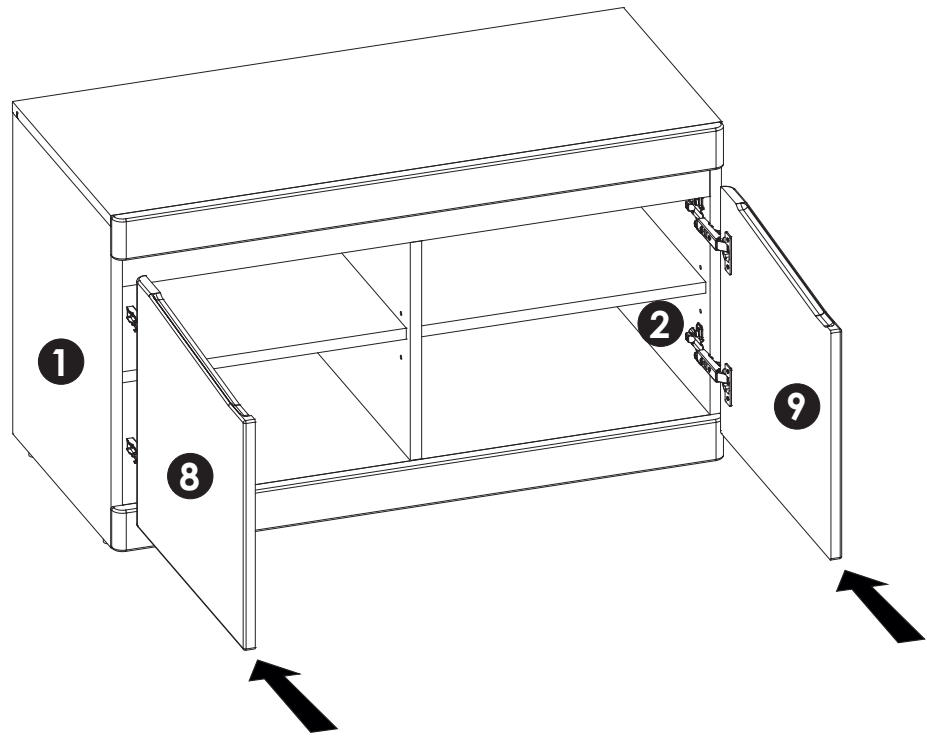
21 ▶



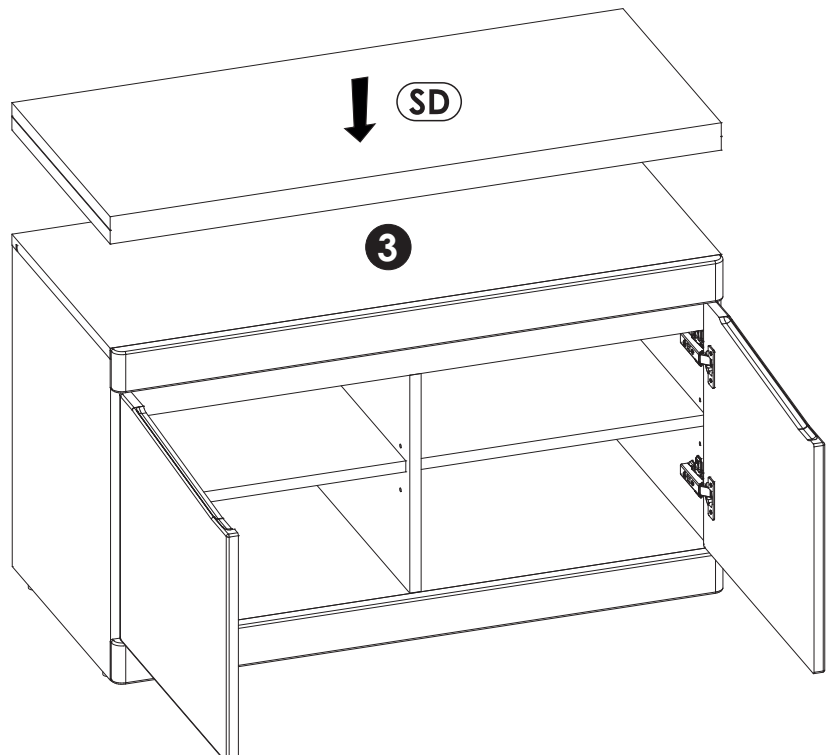
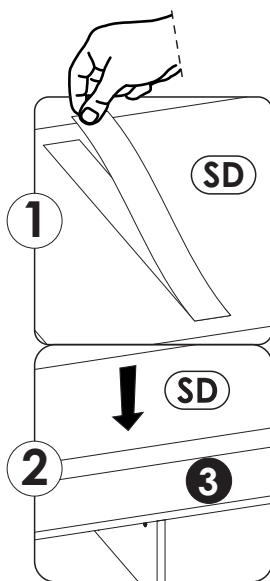
22 ▶



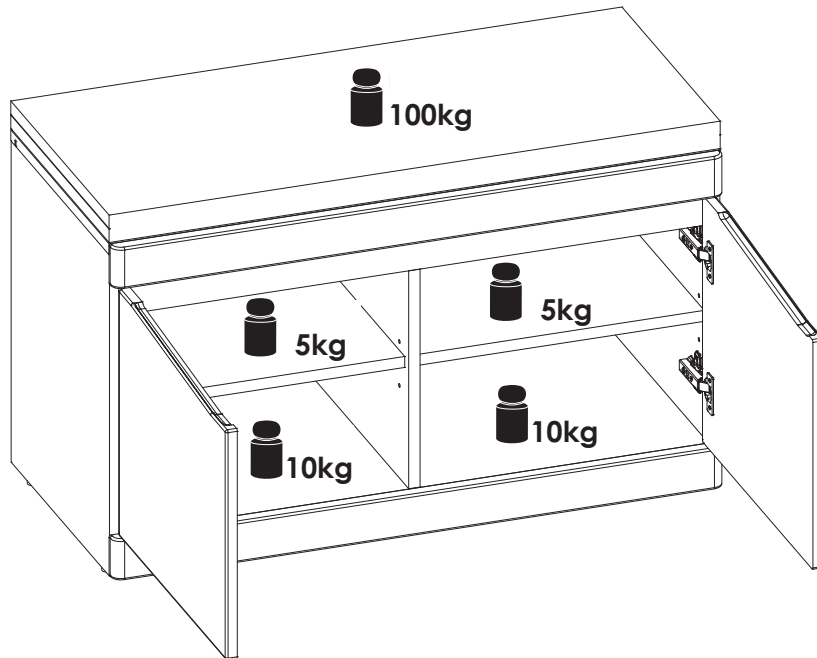
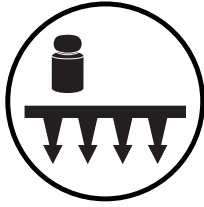
23 ▶

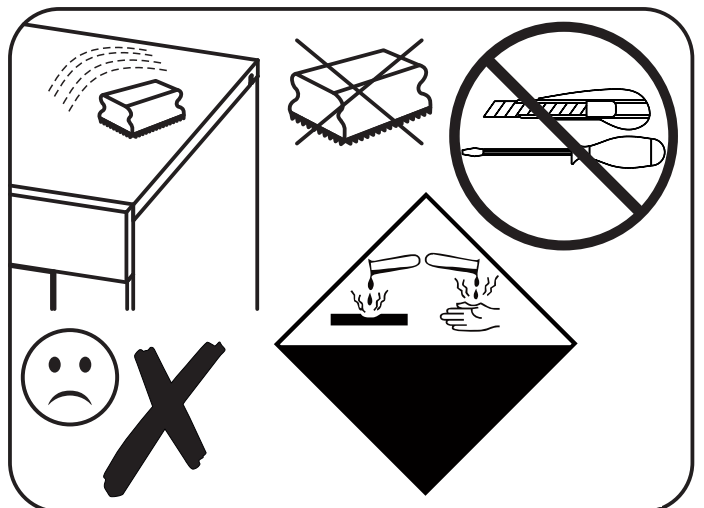
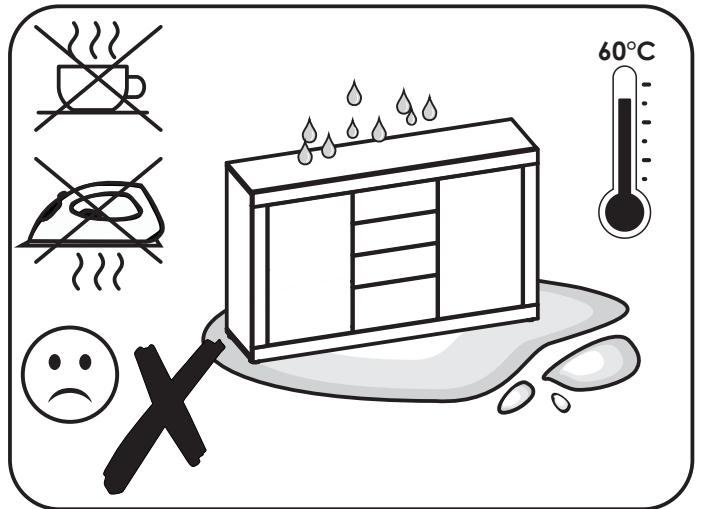
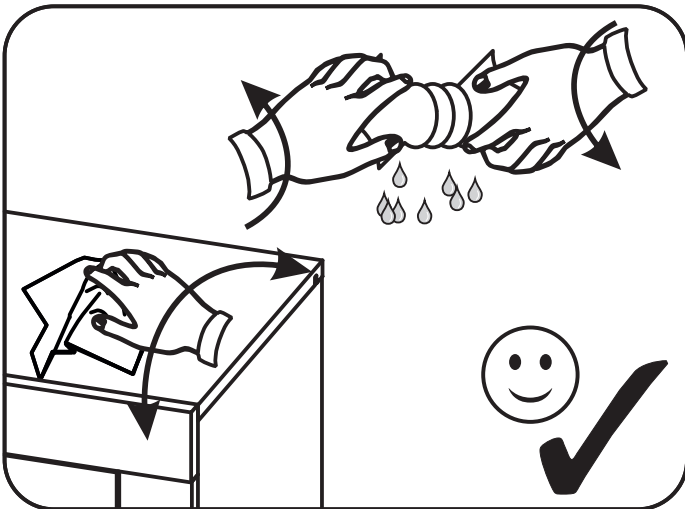
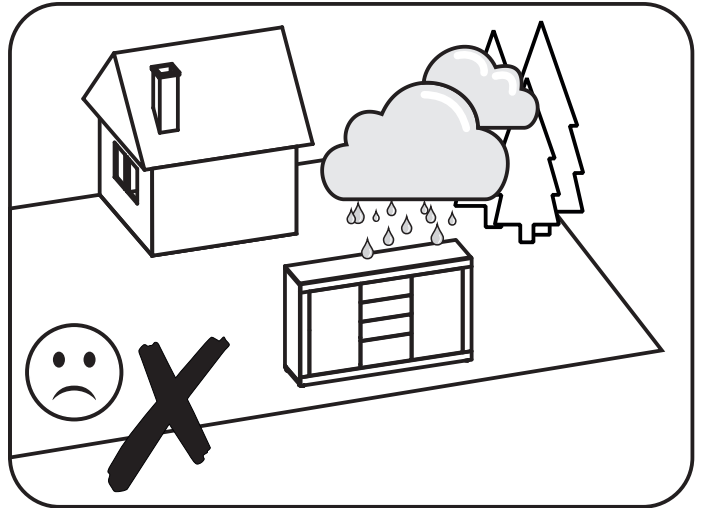
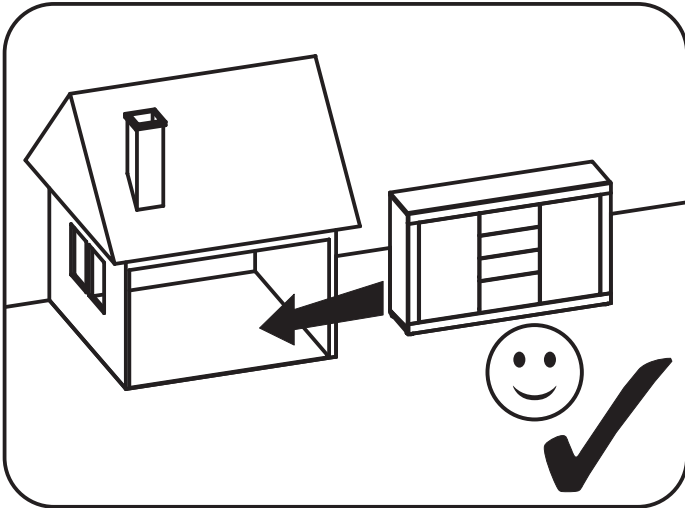


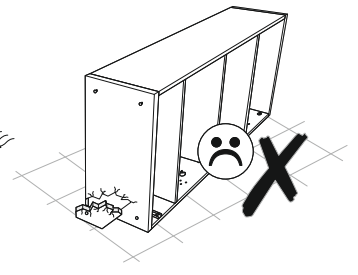
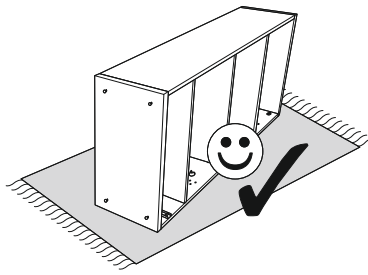
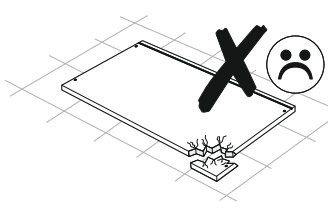
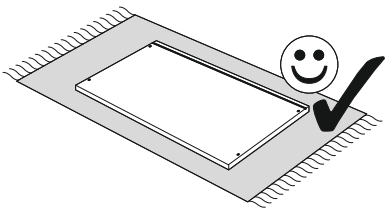
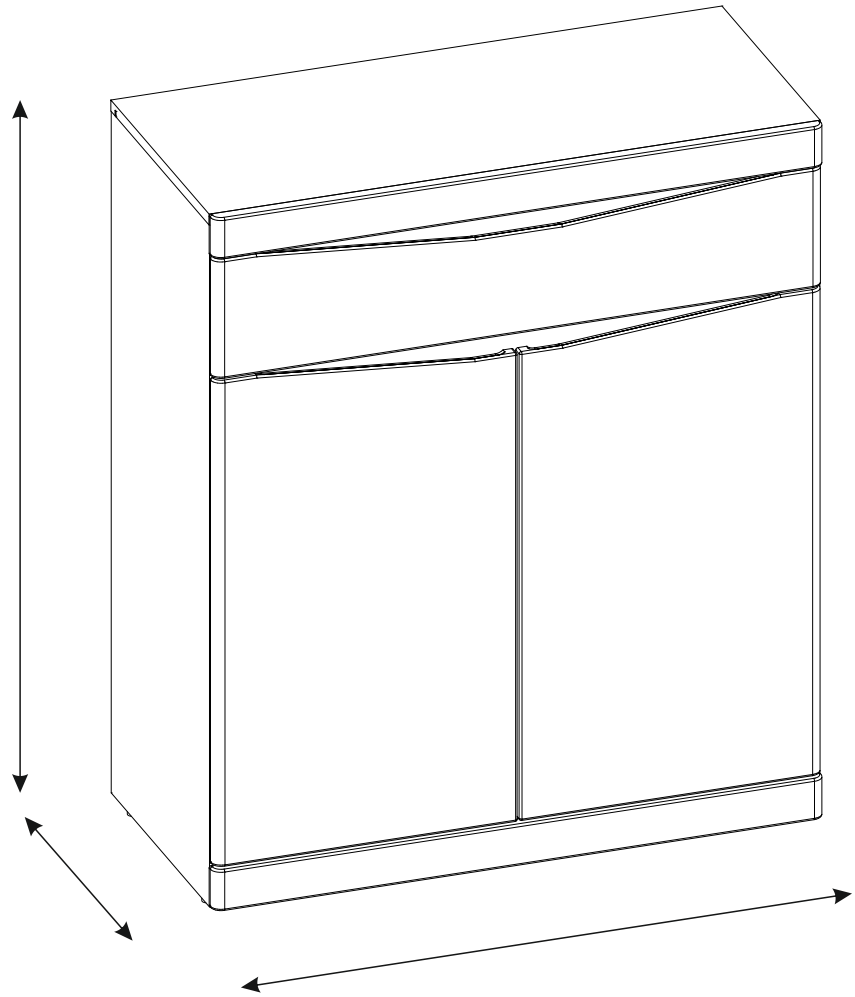
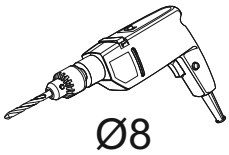
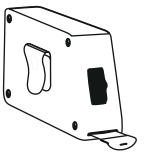
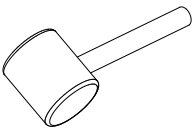
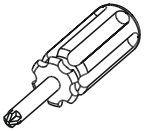
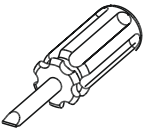
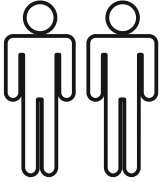
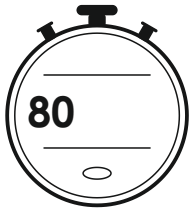
24 ▶

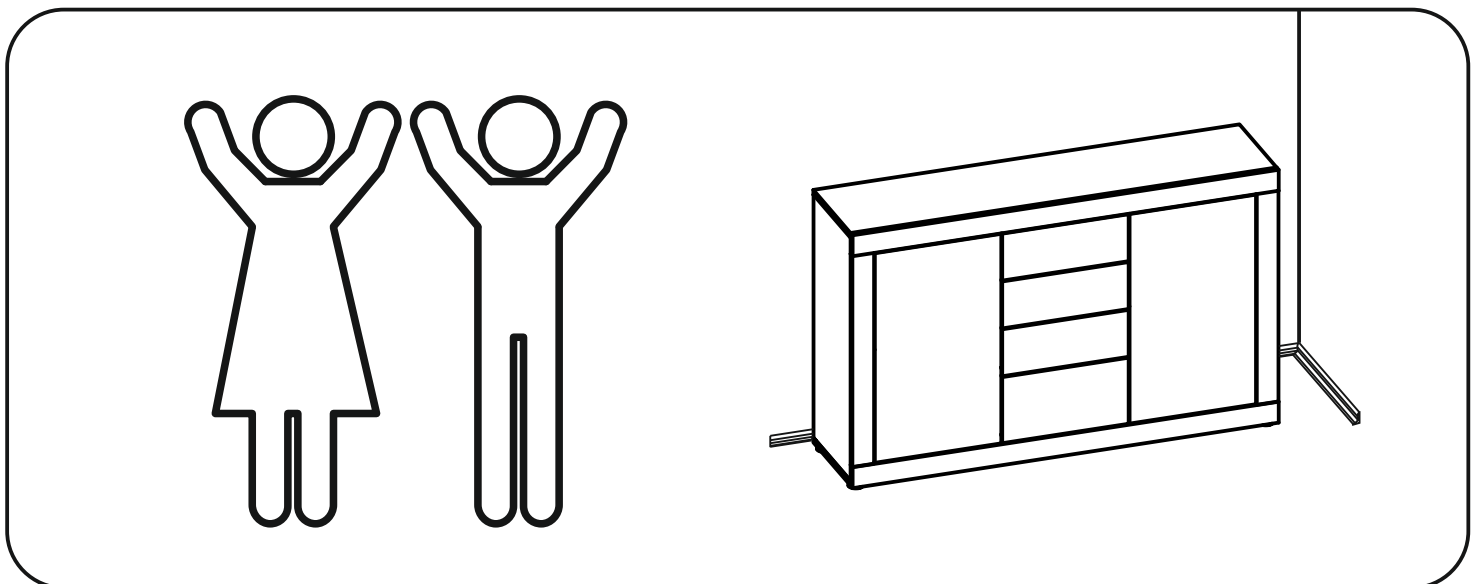
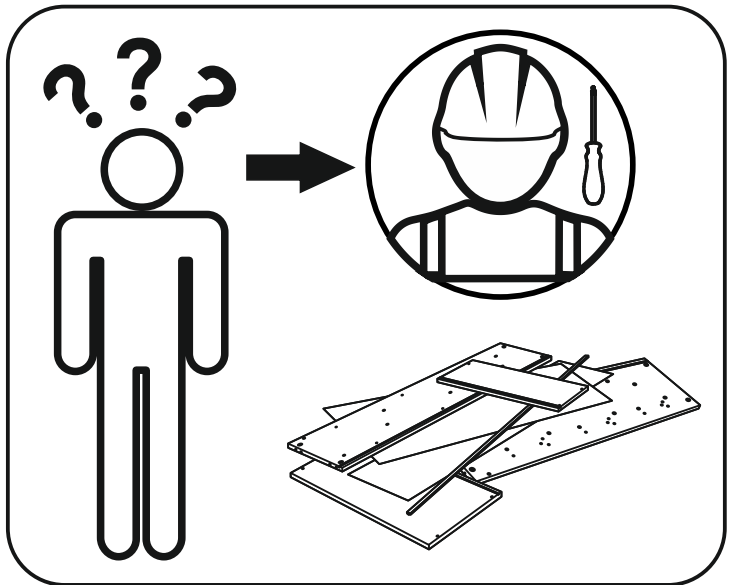
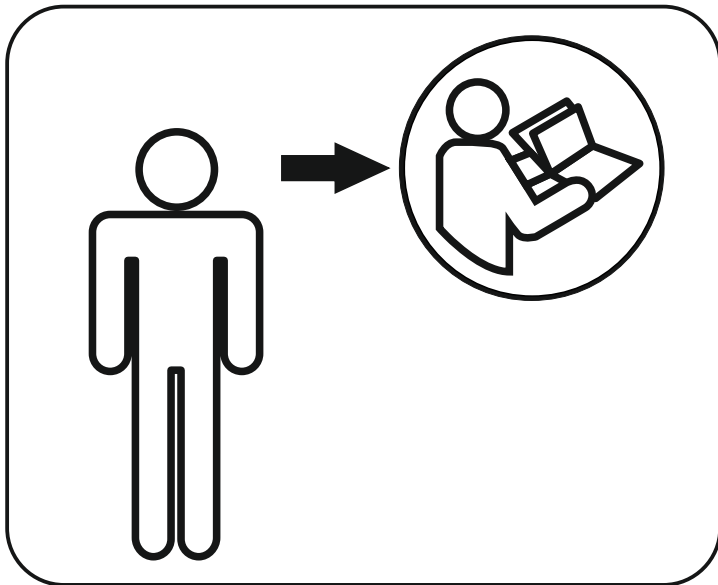
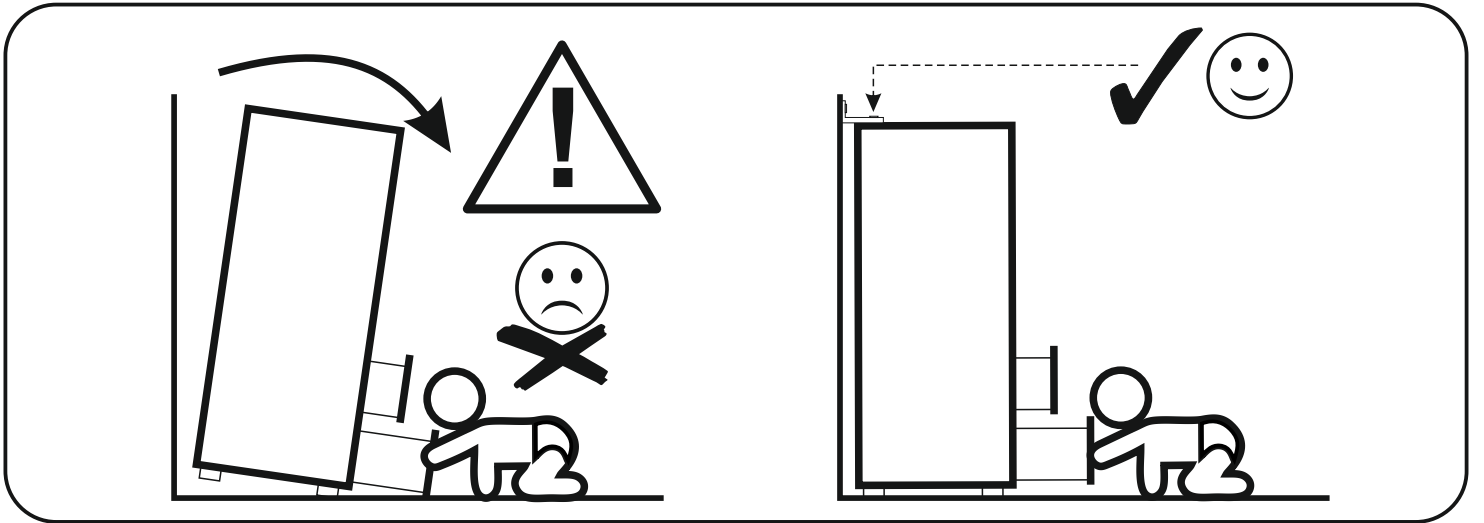
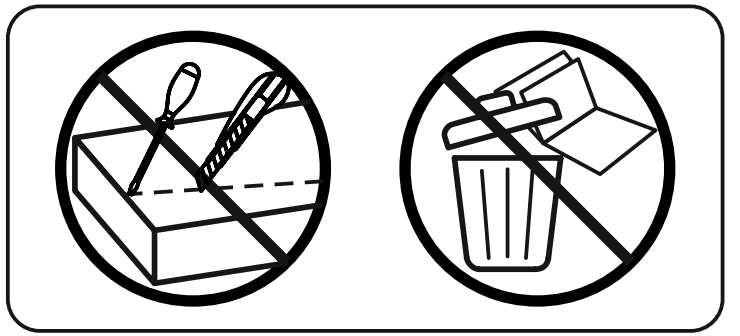
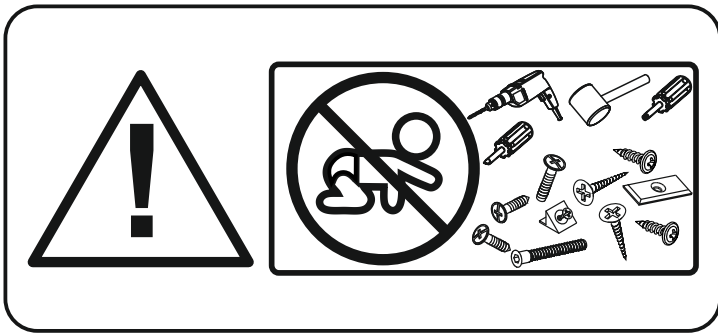


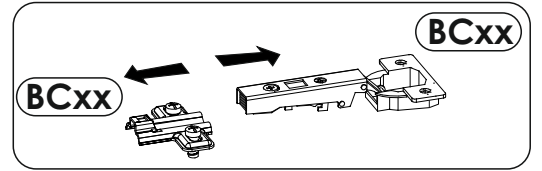
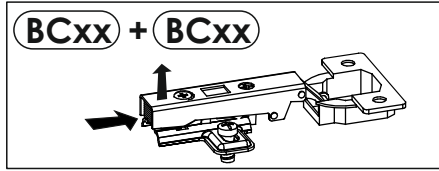
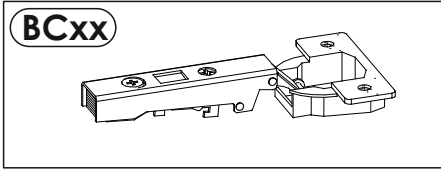
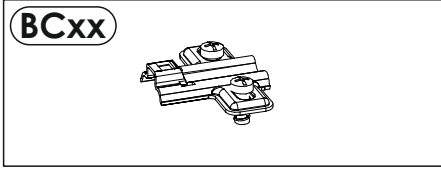
25▶

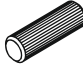
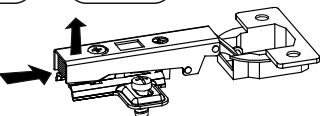
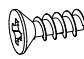
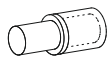


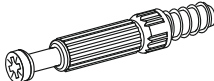
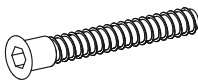
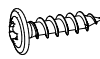
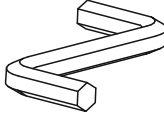



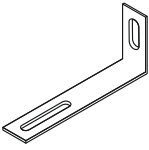
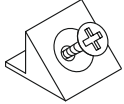
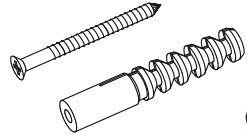
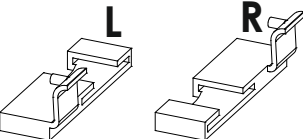
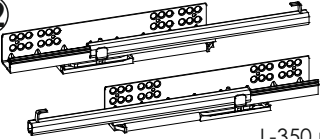
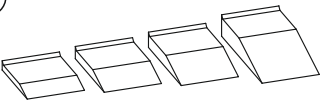


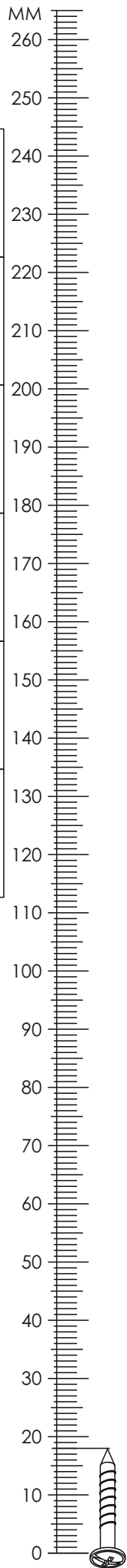
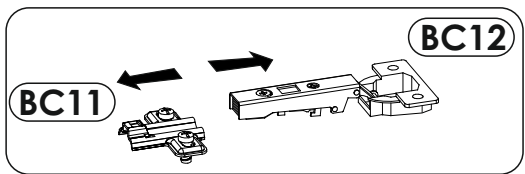


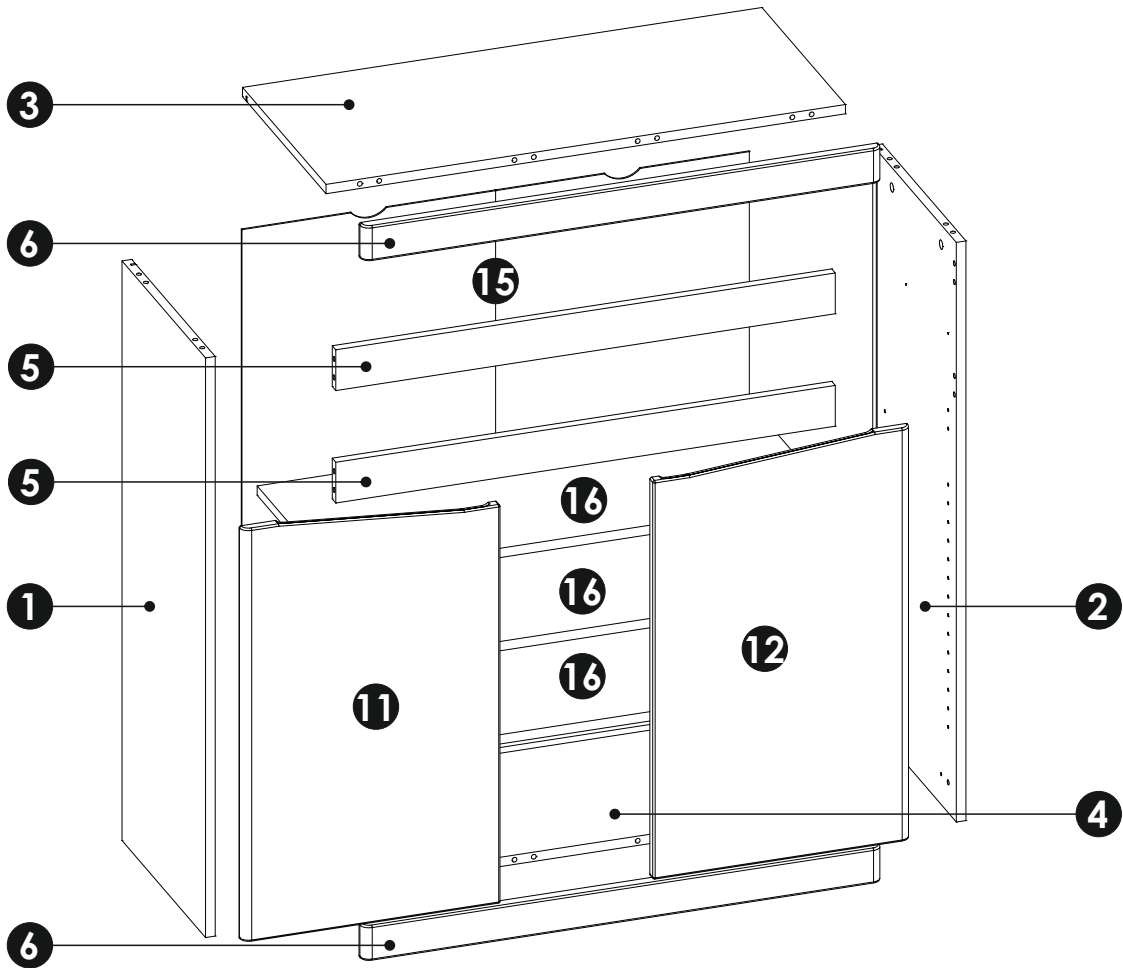
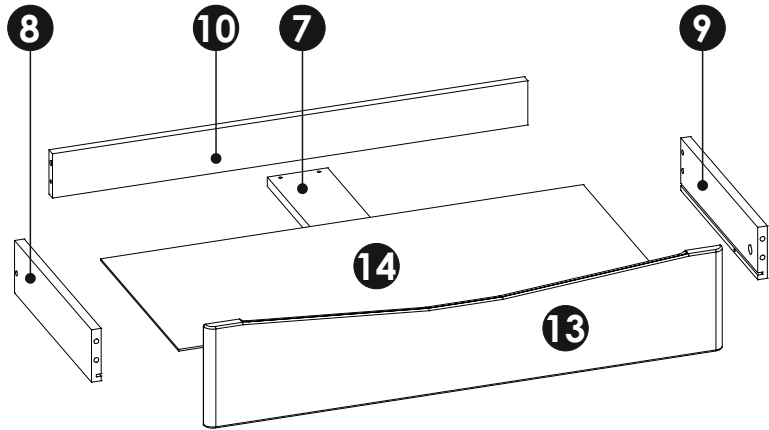
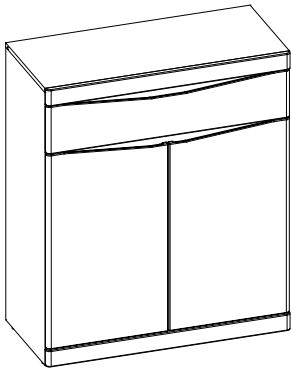






A1 8 x 35 mm x30 	BC11 + BC12 x4 	C2 5 x 13 mm x12 
D2 x12 	E0 Ø16 x2 	E1 15 x 12 mm x19 
F1 6 x 34 mm x19 	G1 7 x 50 mm x2 	I2 4 x 16 mm x2 
M x1 	N1 3 x 16 mm x15 	N9 3,5 x 40 mm x2 
O2 x4 	Q9 x2 	R4 x6 
S13 x2  Ø8	TZ L R x1 	T12 x1  L-350 mm
Z x1 		



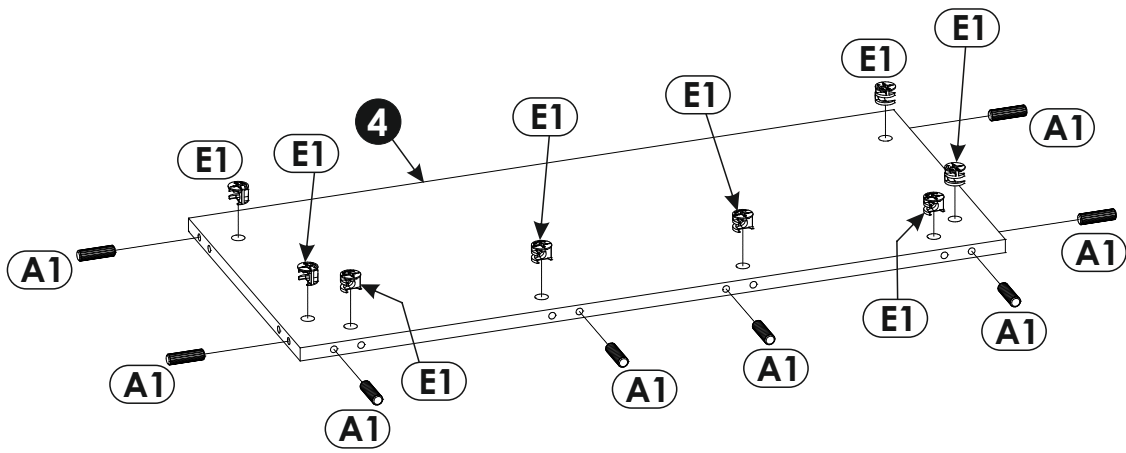
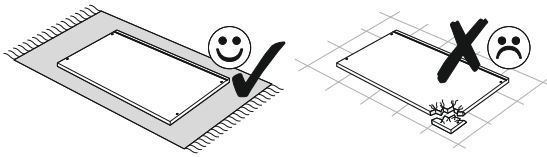


1	995	380	16	x1	1/2
2	995	380	16	x1	1/2
3	860	380	16	x1	2/2
4	827	360	16	x1	1/2
5	827	70	16	x2	2/2
6	860	60	19	x2	2/2

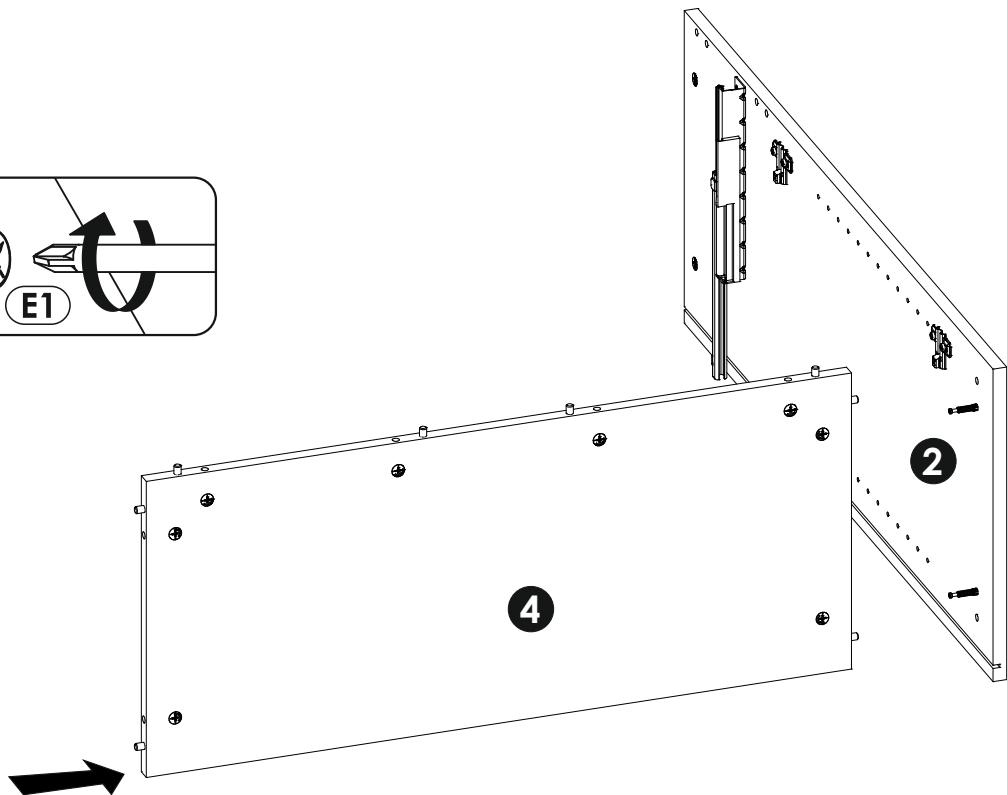
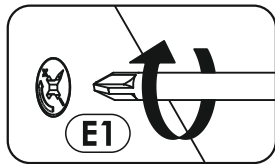
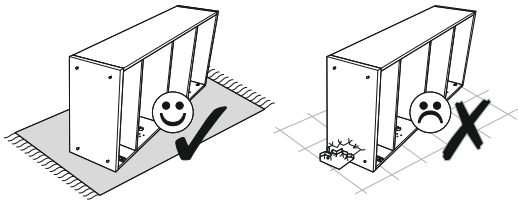
7	350	100	16	x1	2/2
8	350	90	16	x1	2/2
9	350	90	16	x1	2/2
10	787	76	16	x1	2/2
11	427	709	16	x1	2/2
12	427	709	16	x1	2/2

13	858	174	16	x1	2/2
14	799	355	3	x1	2/2
15	957	840	3	x1	1/2
16	826	345	16	x3	1/2

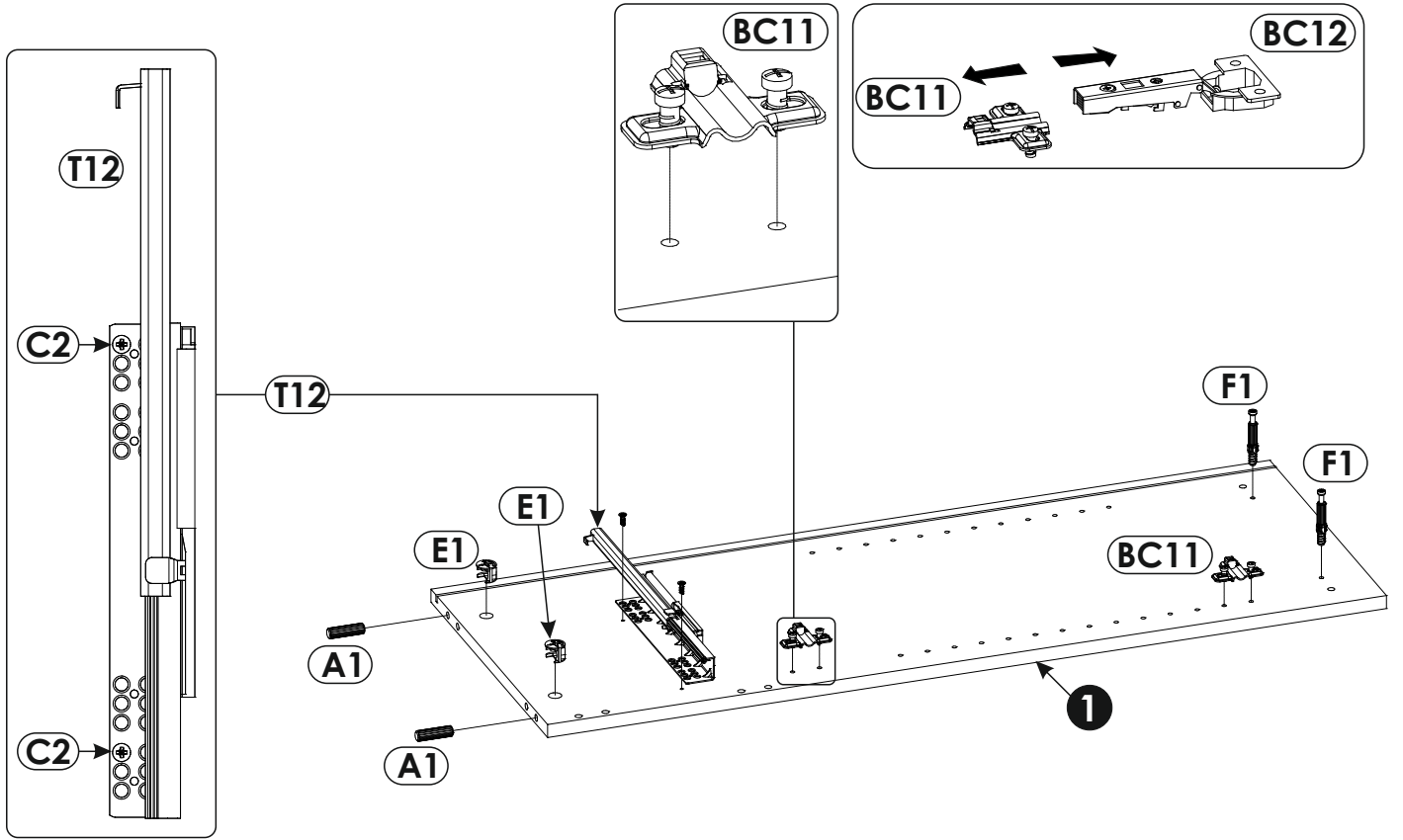
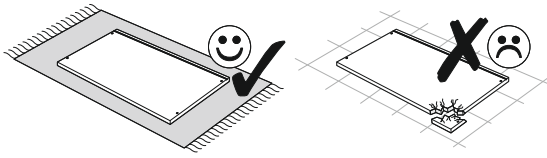
2 ▶



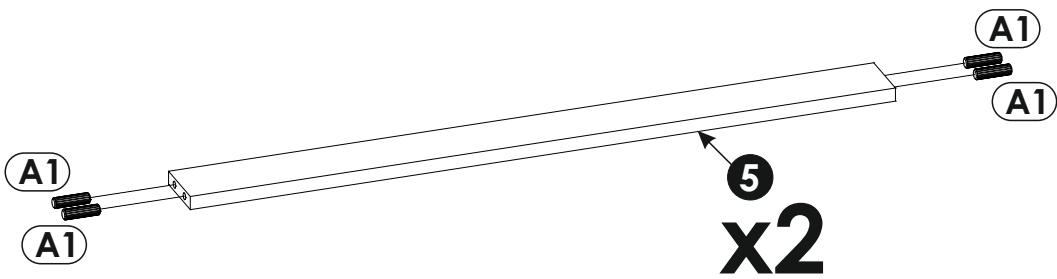
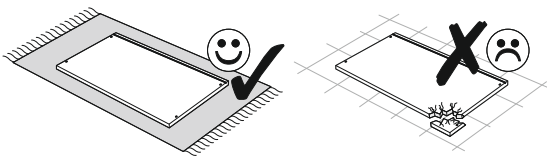
3 ▶

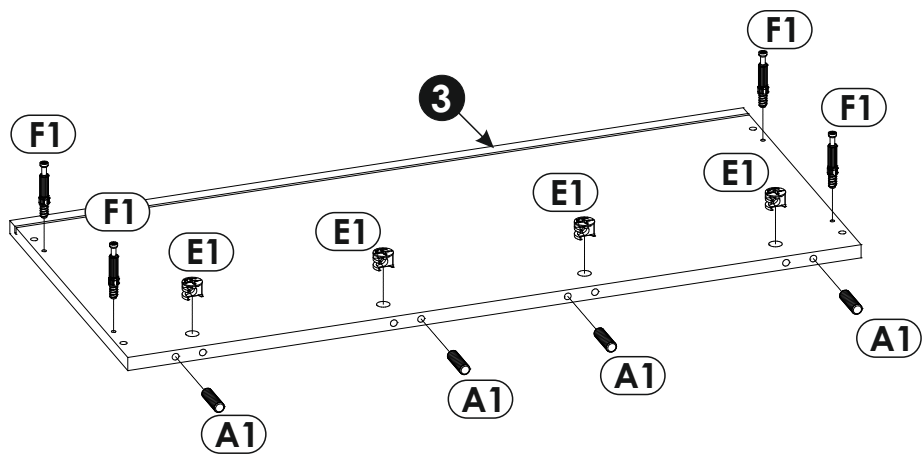
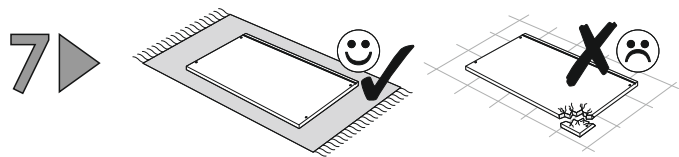
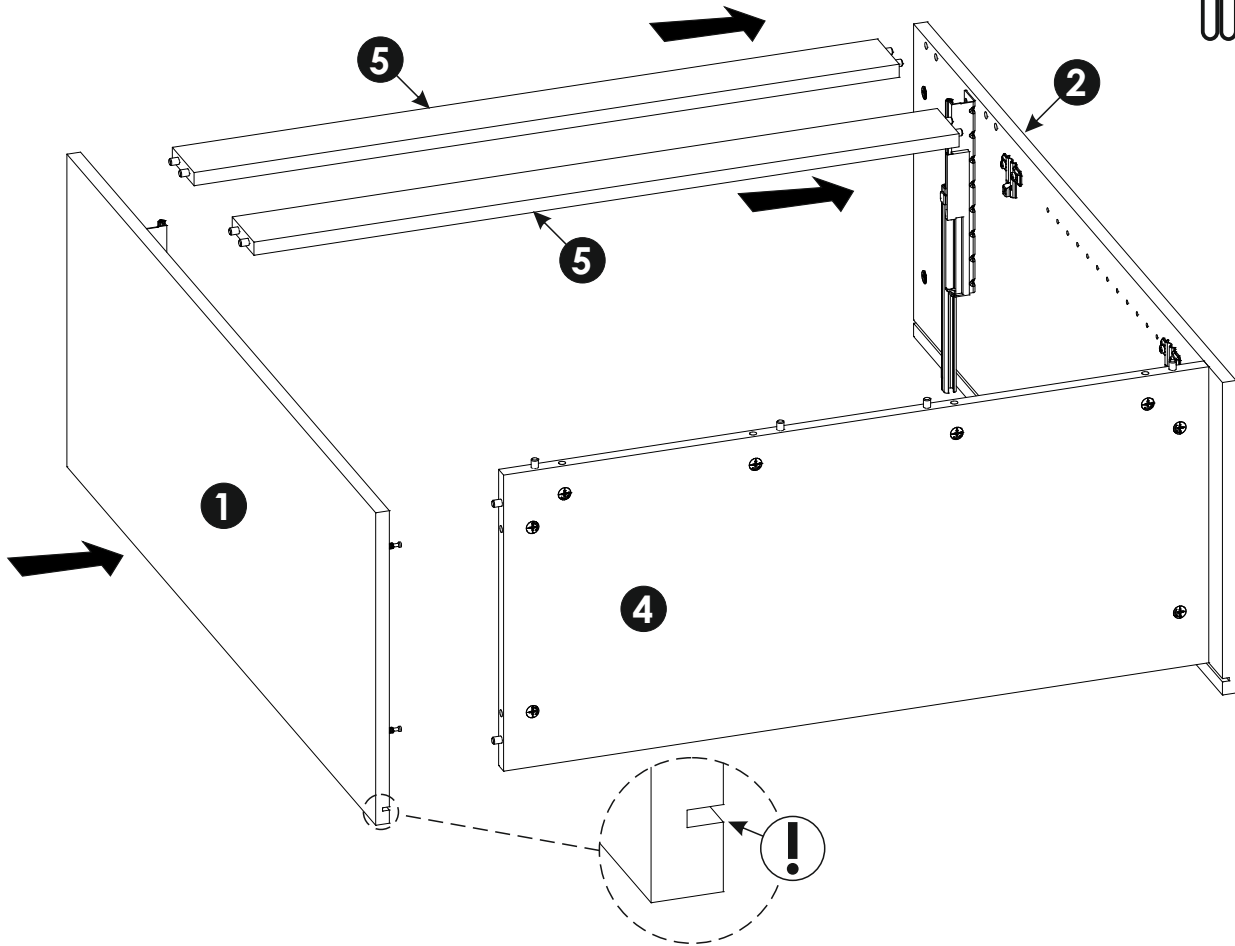
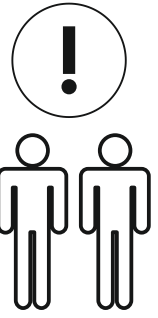
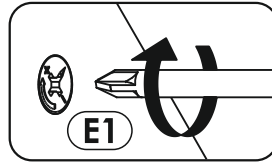
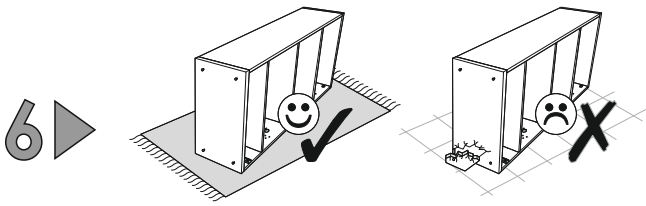


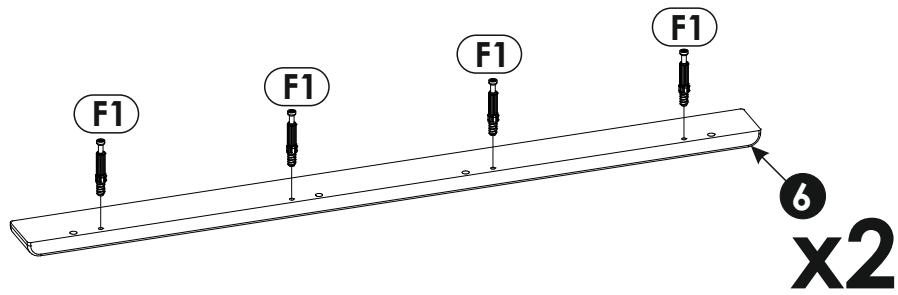
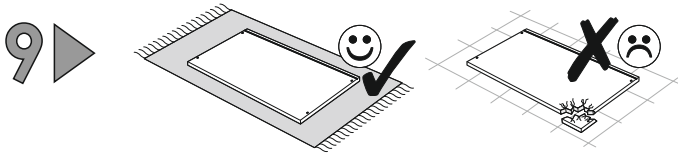
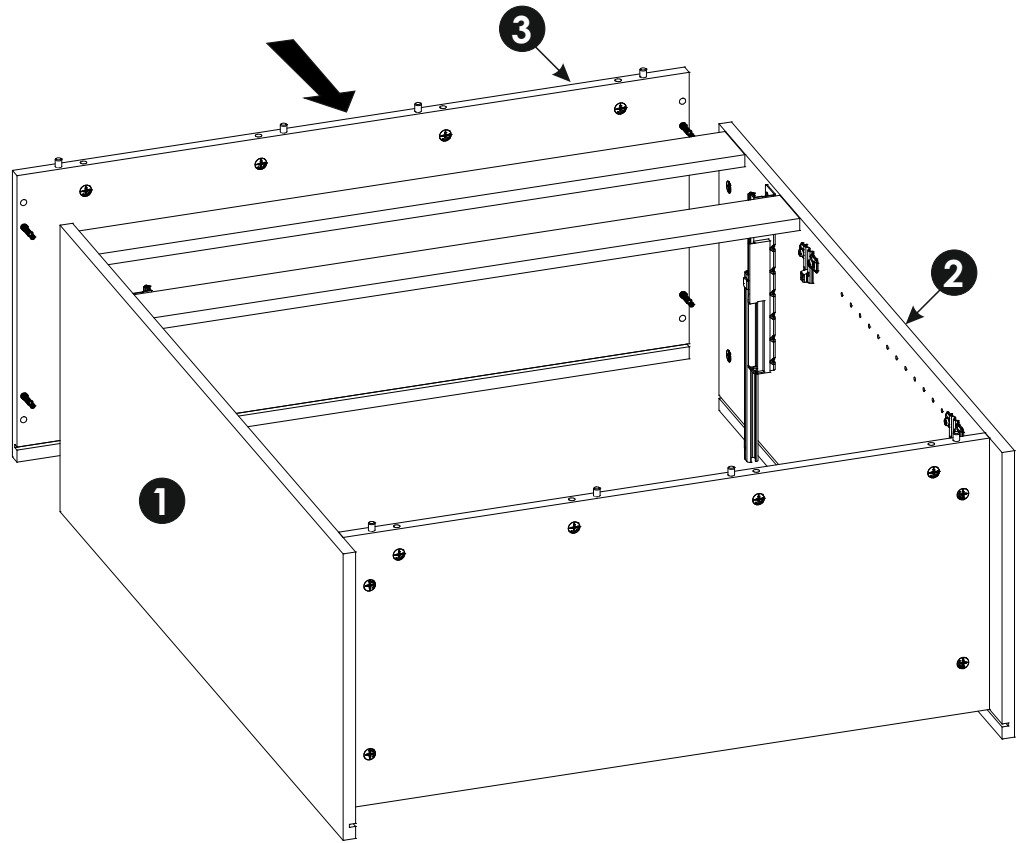
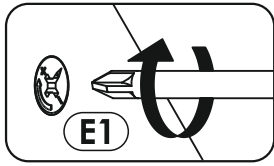
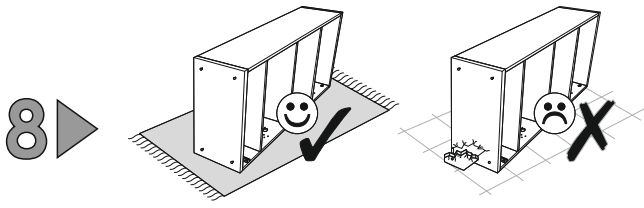
4 ▶

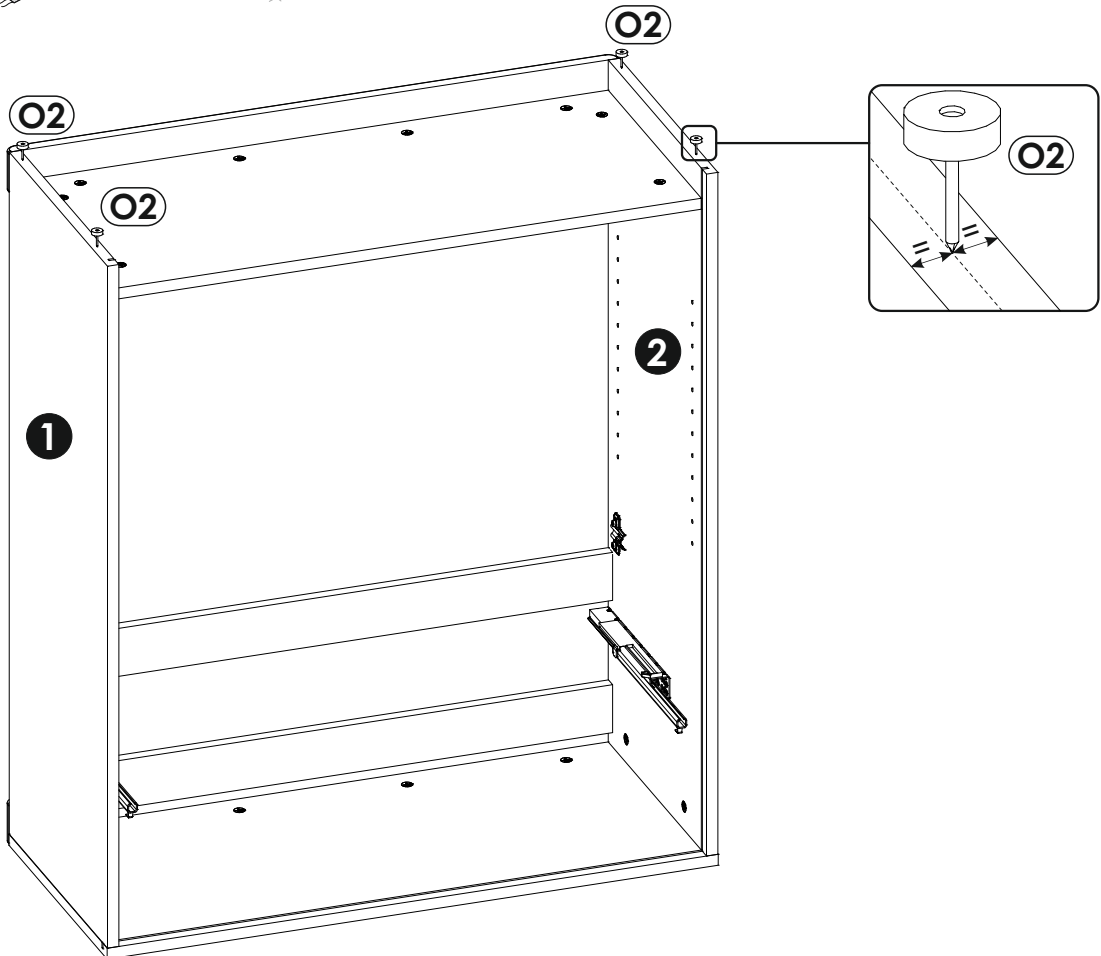
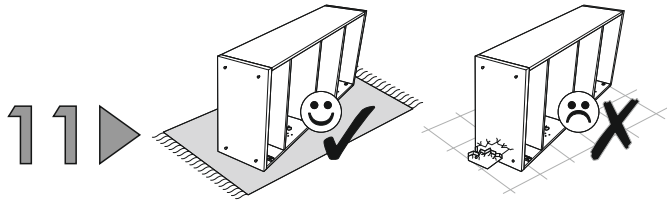
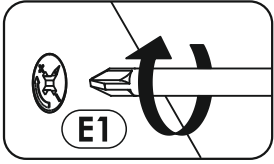
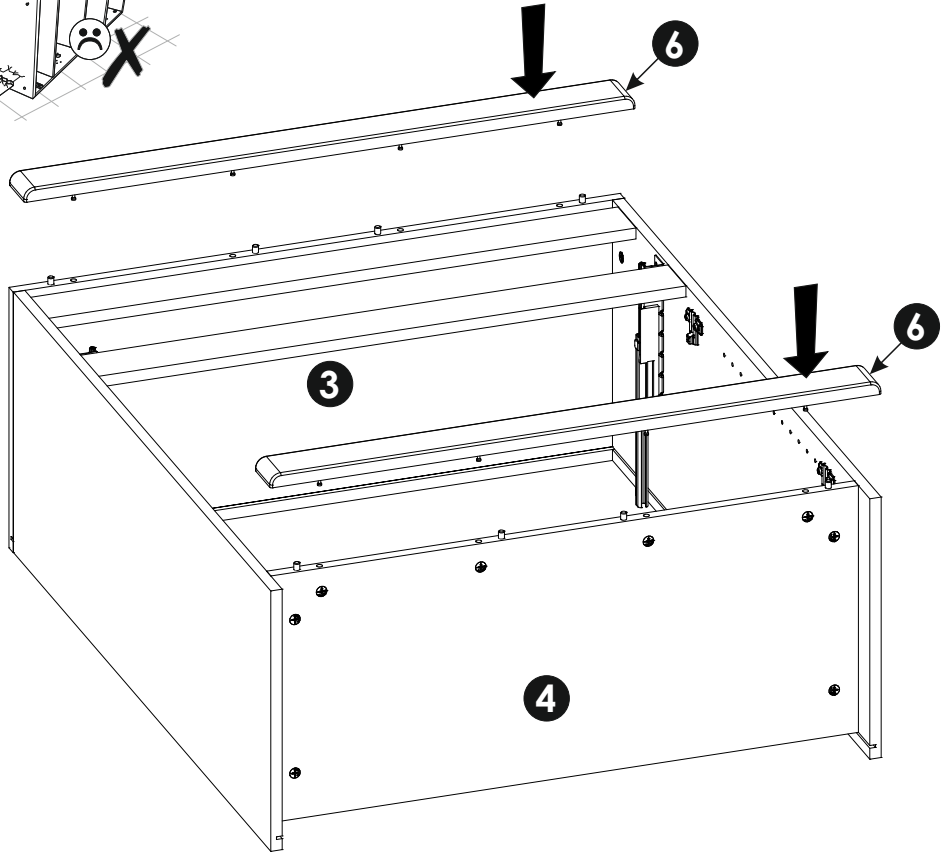
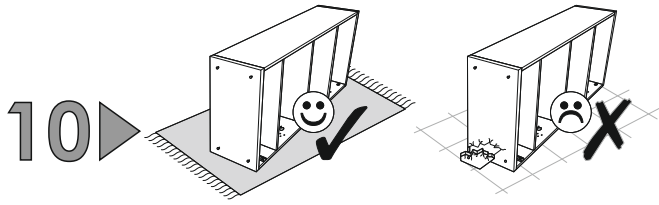


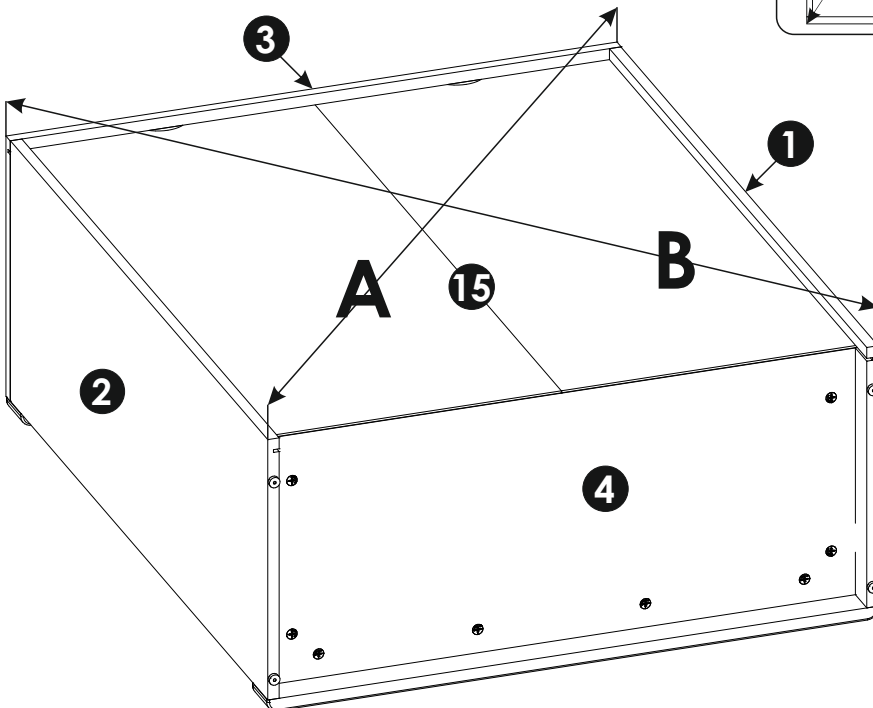
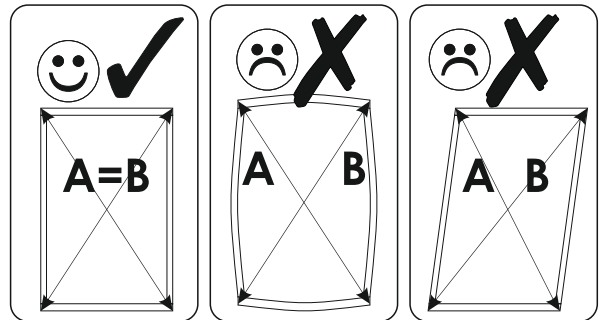
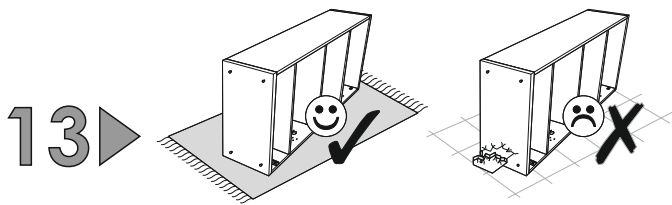
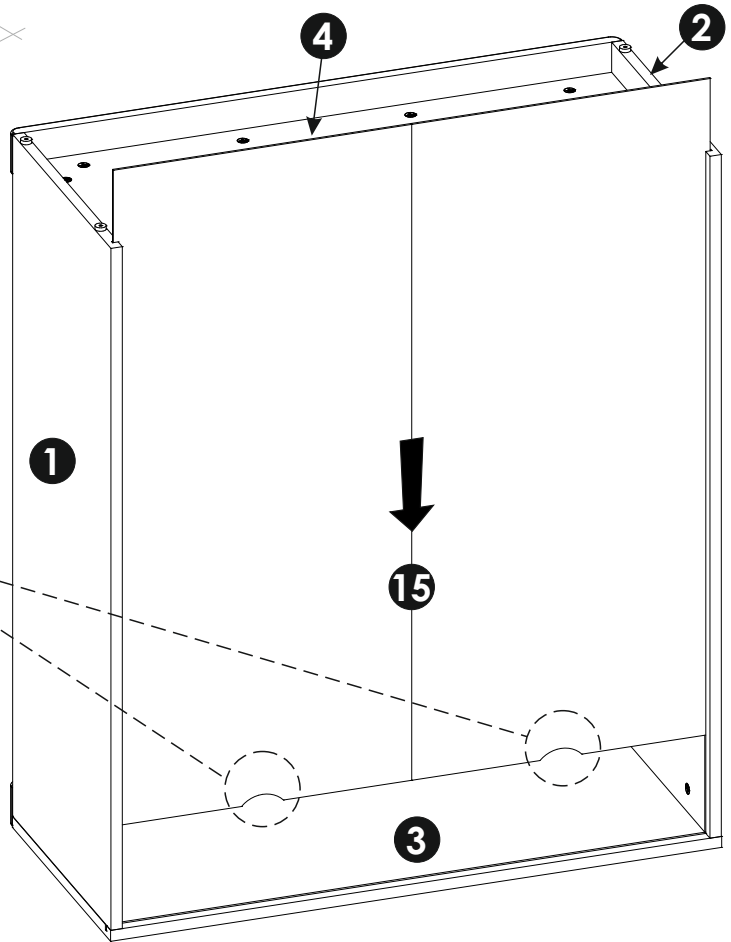
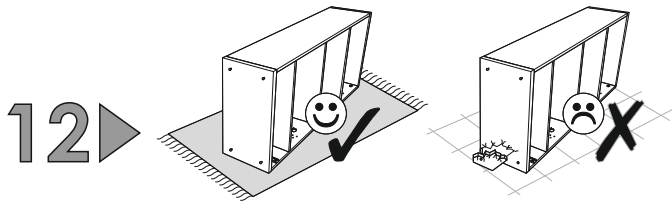
5 ▶



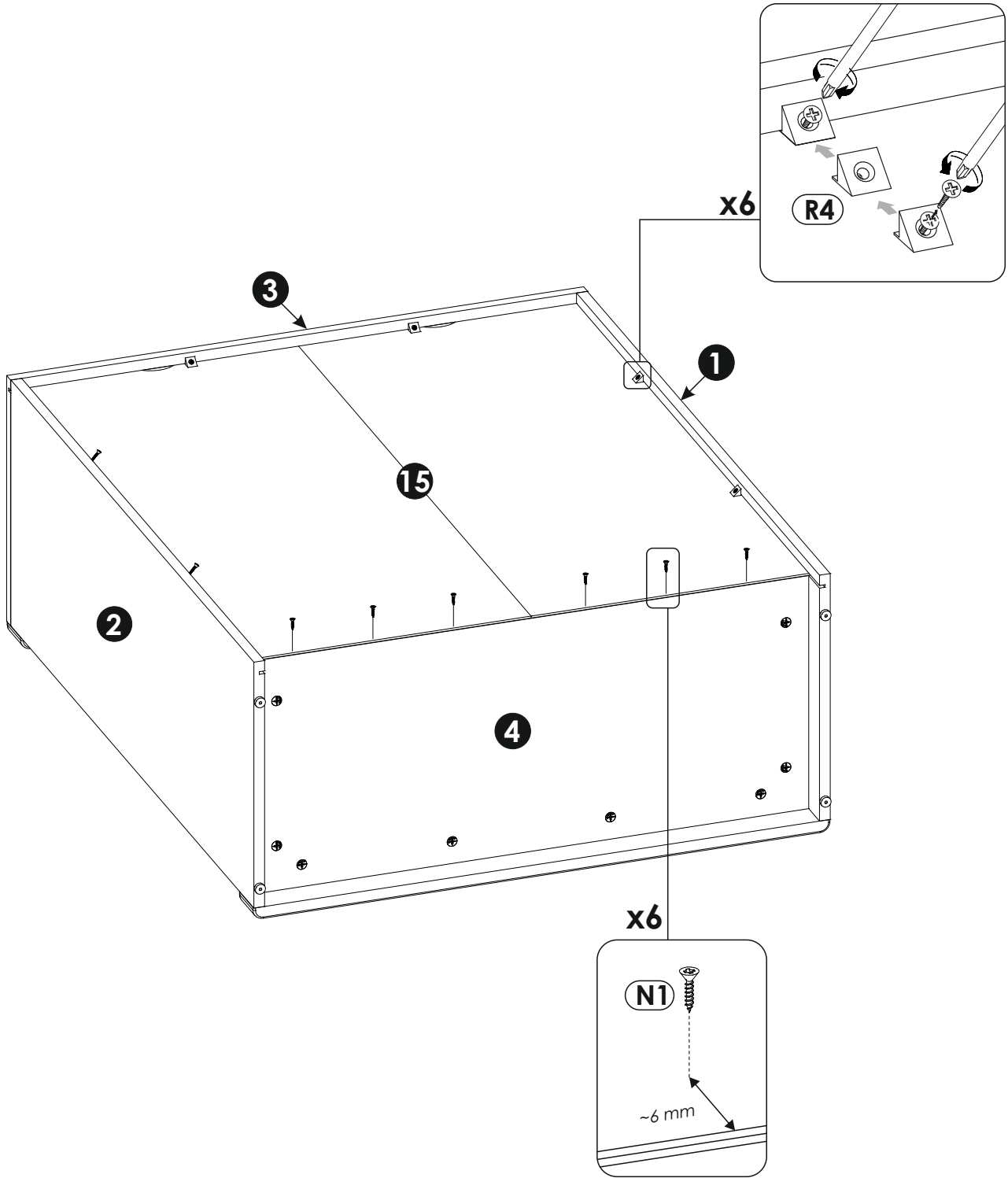
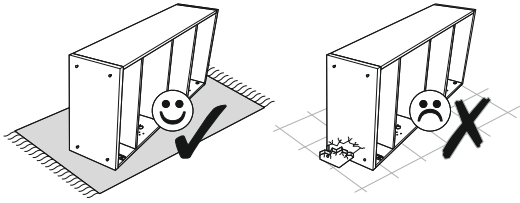


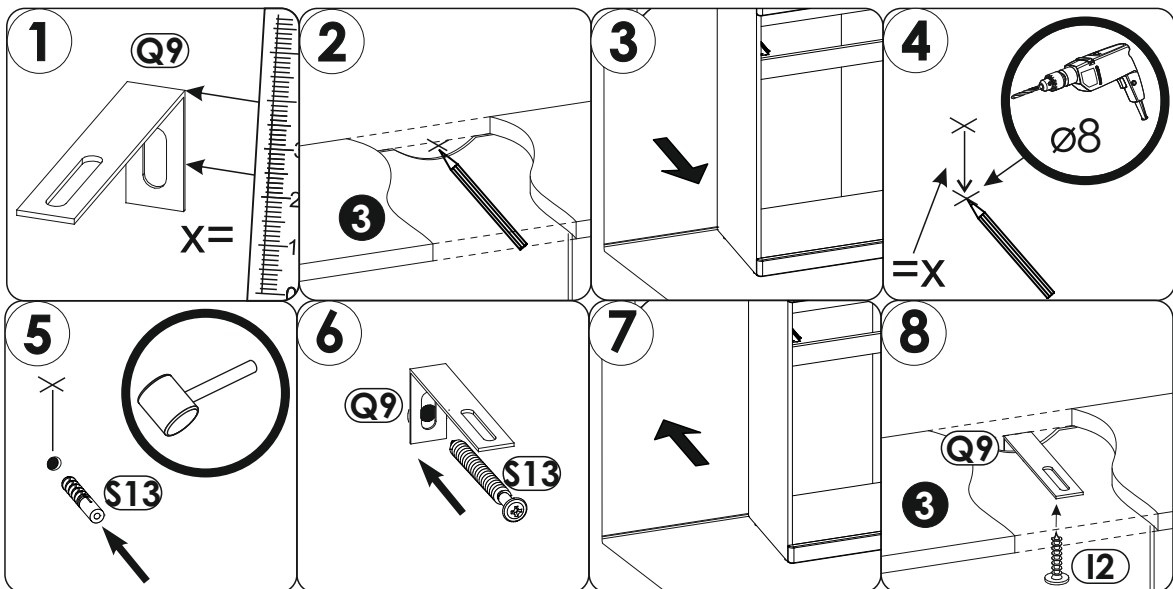
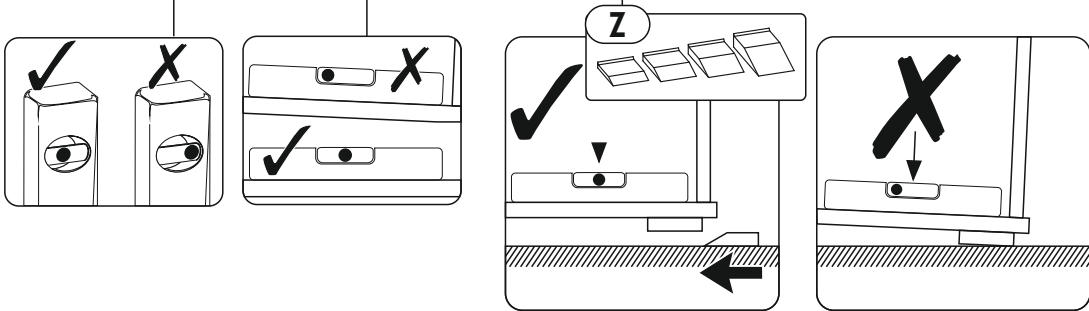
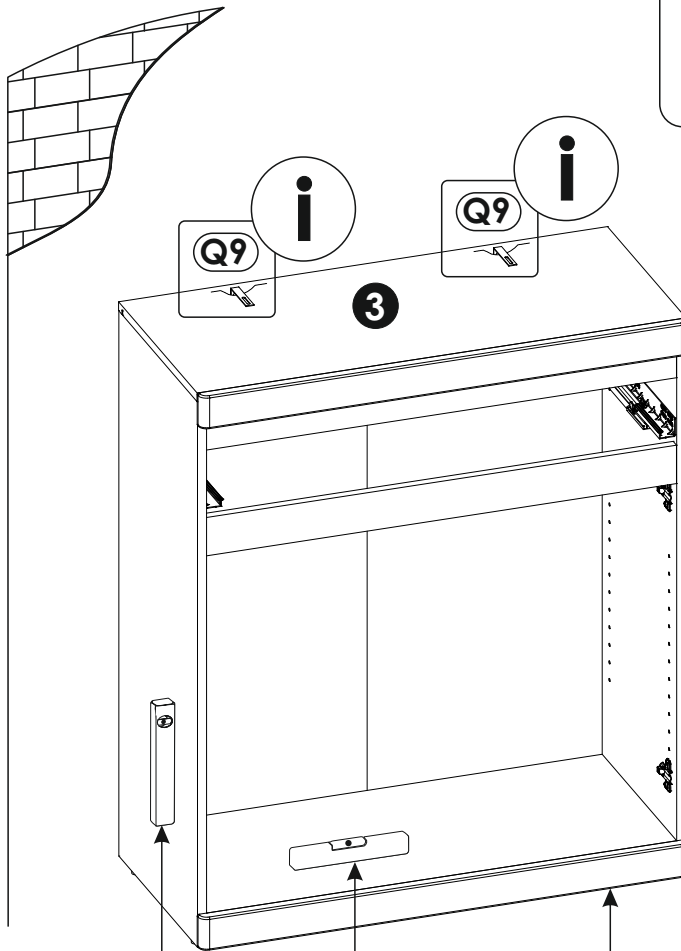
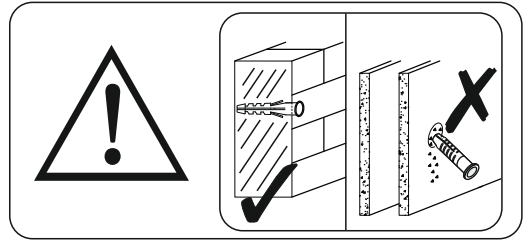




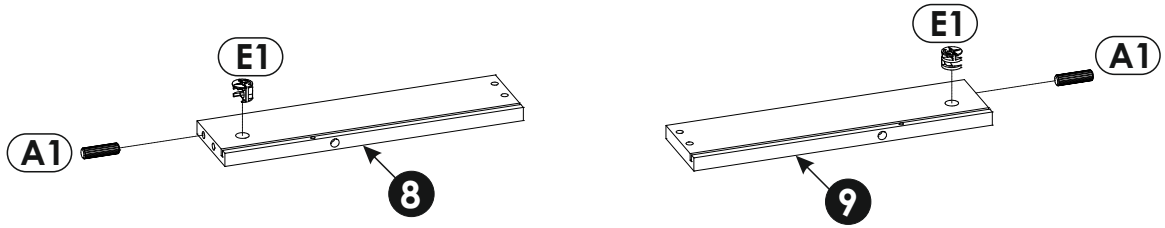
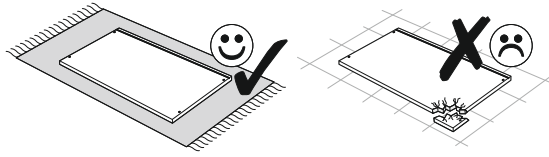


14 ▶

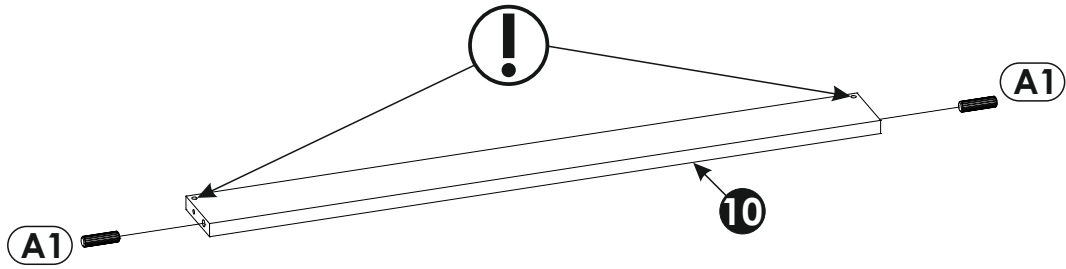
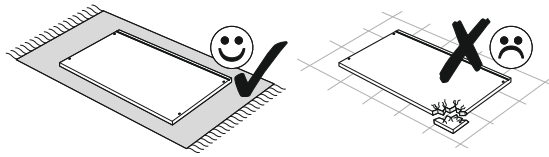




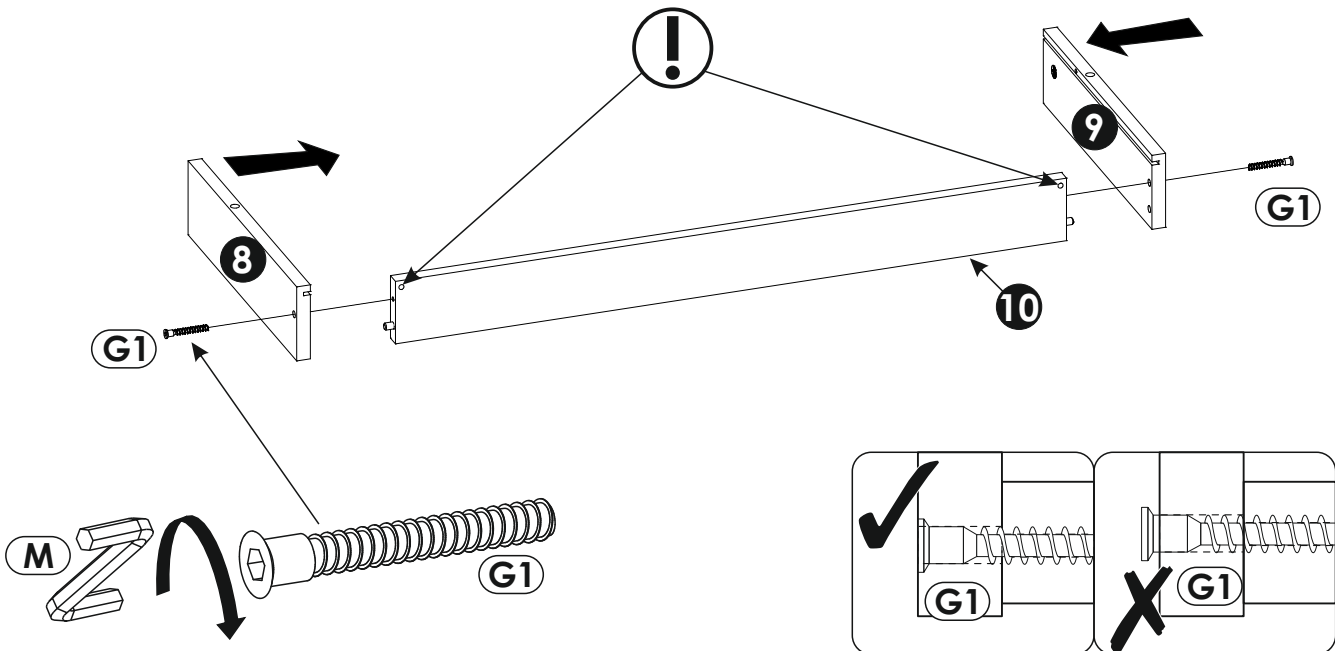
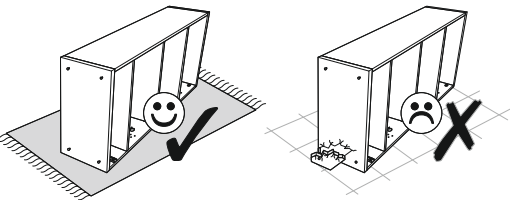
16▶



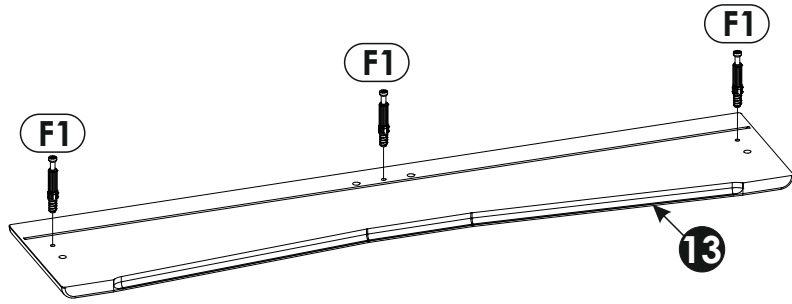
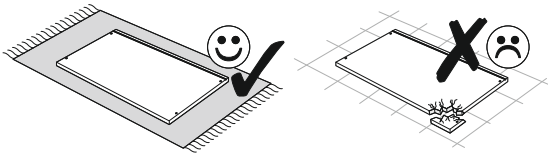
17▶



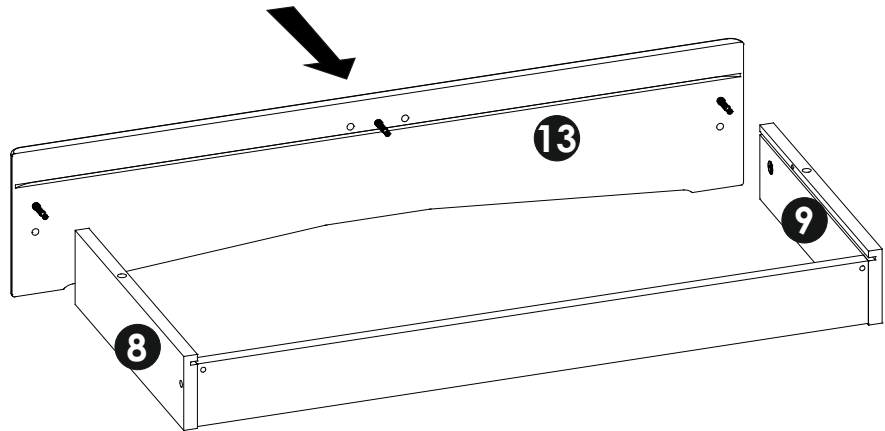
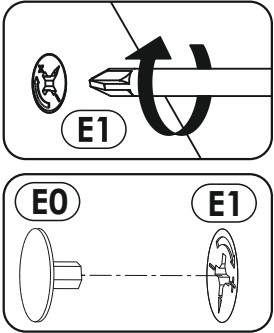
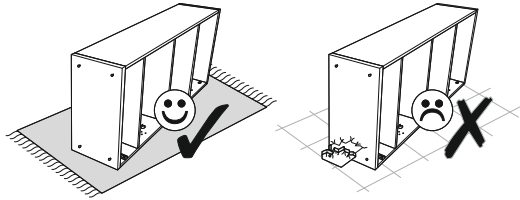
18▶



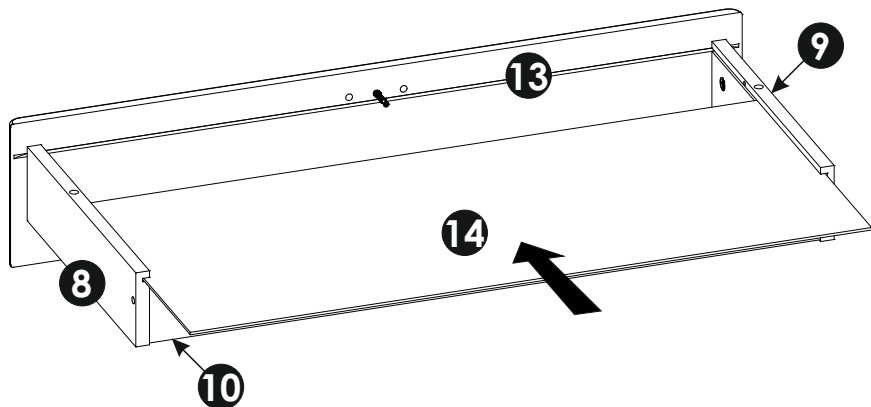
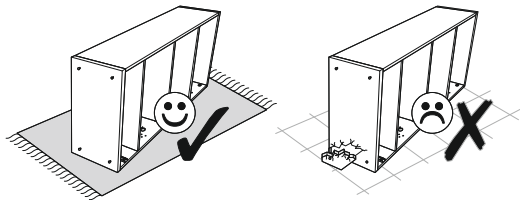
19 ▶



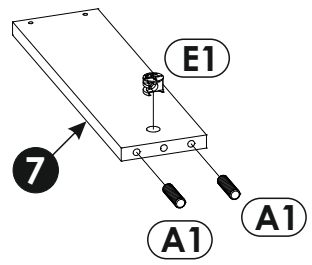
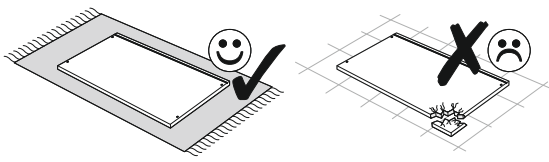
20 ▶



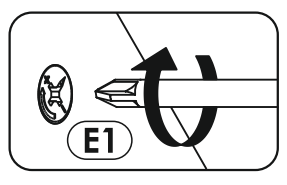
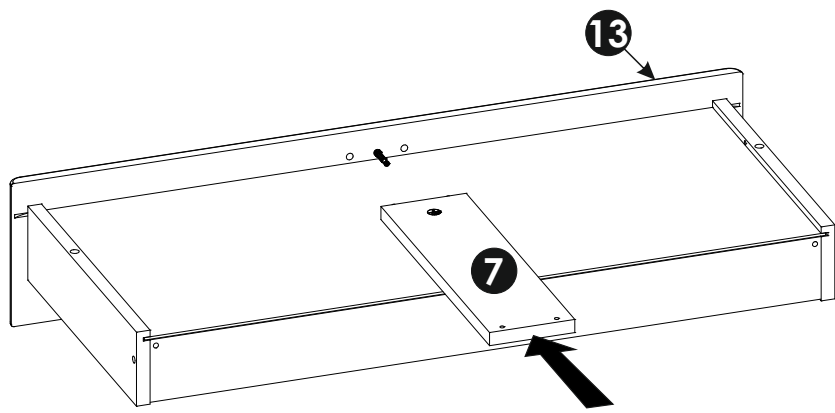
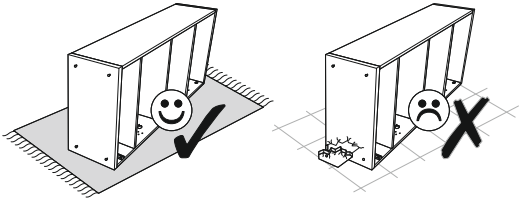
21 ▶



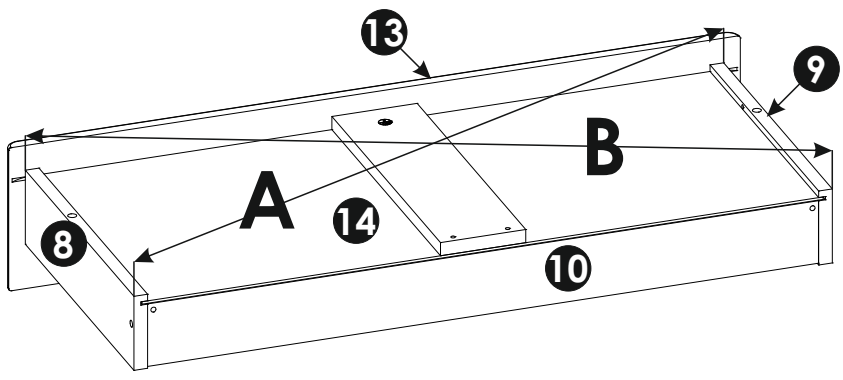
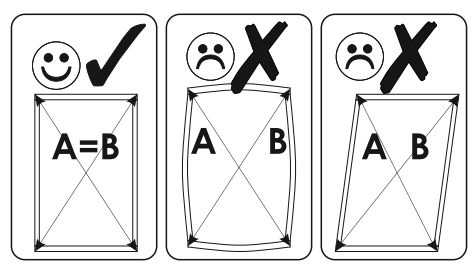
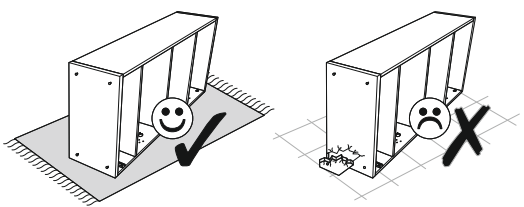
22▶



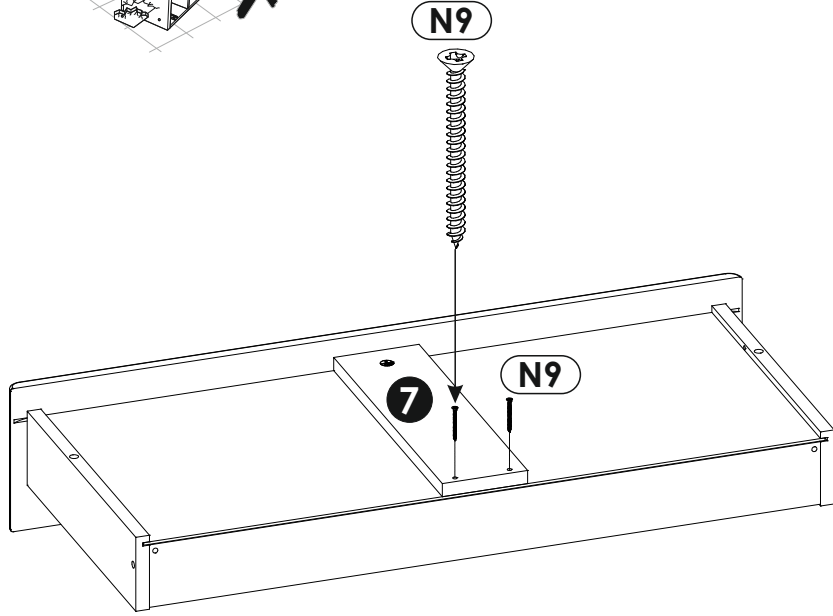
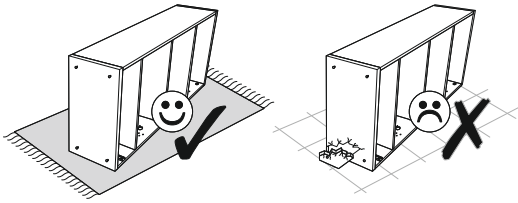
23▶



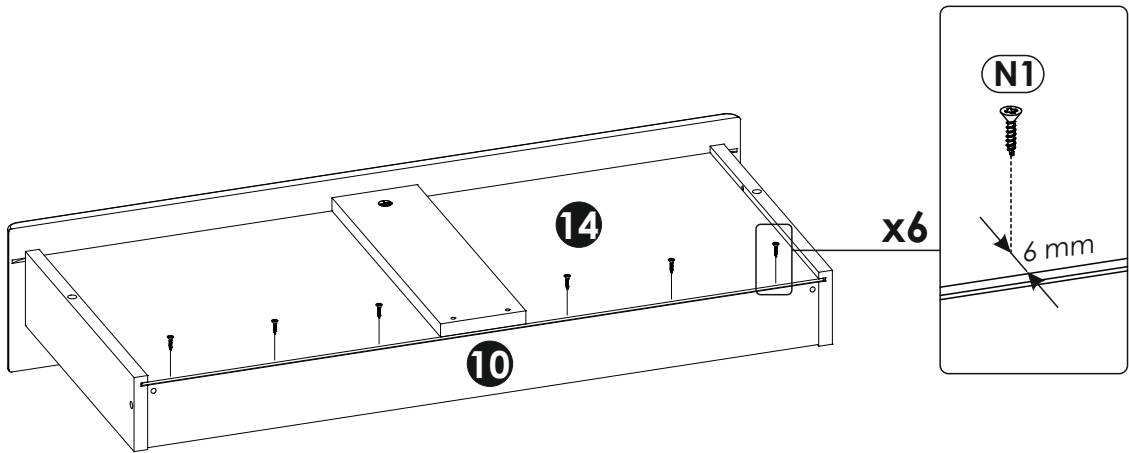
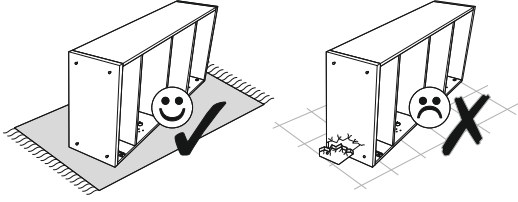
24▶

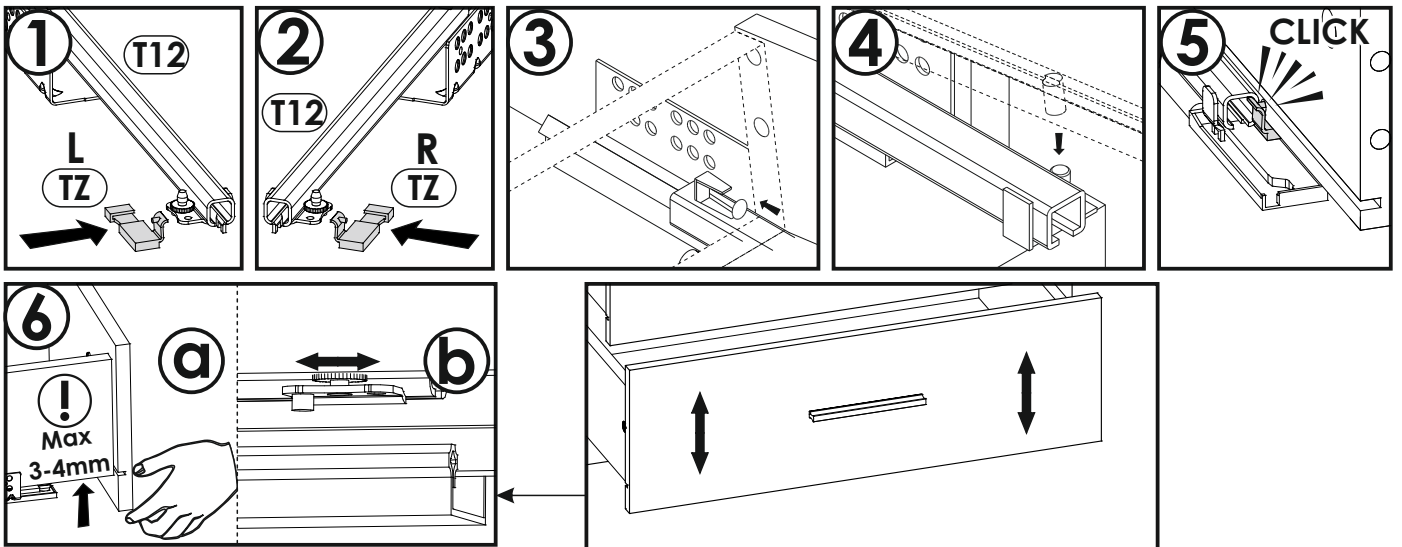
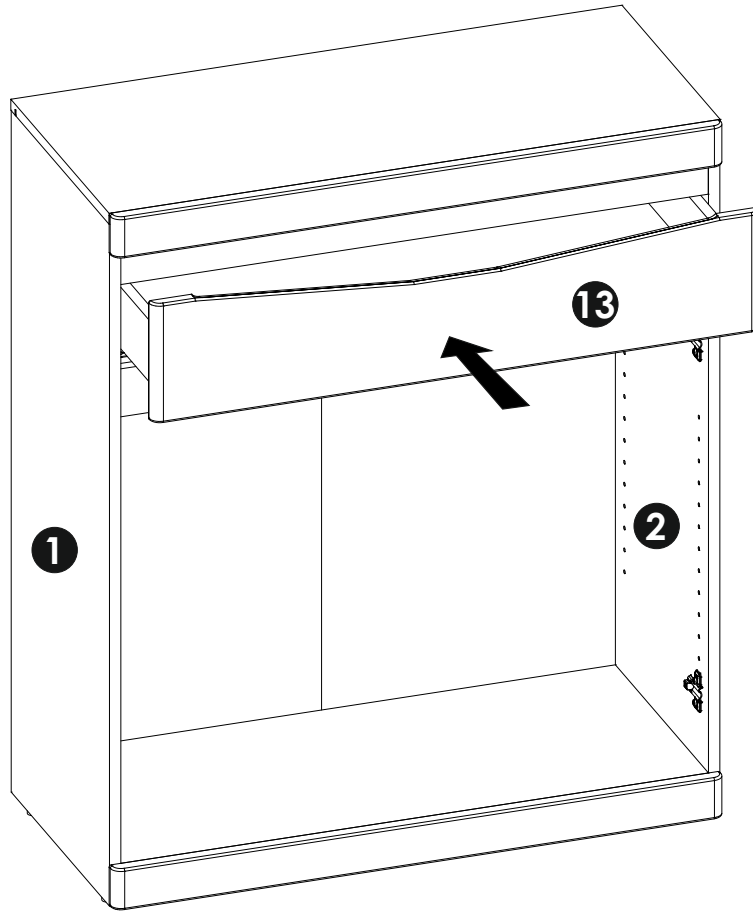


25 ▶

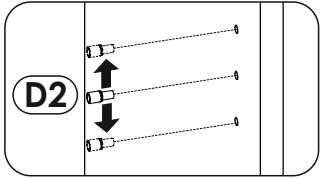
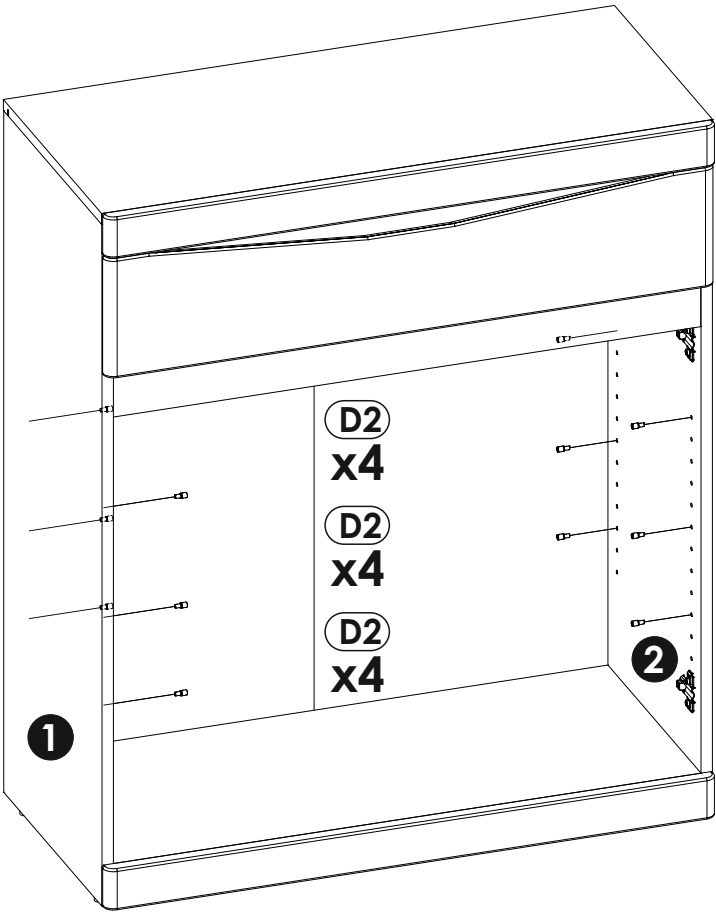


26 ▶

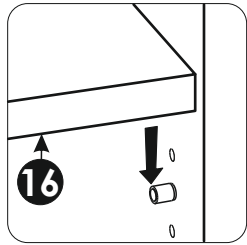
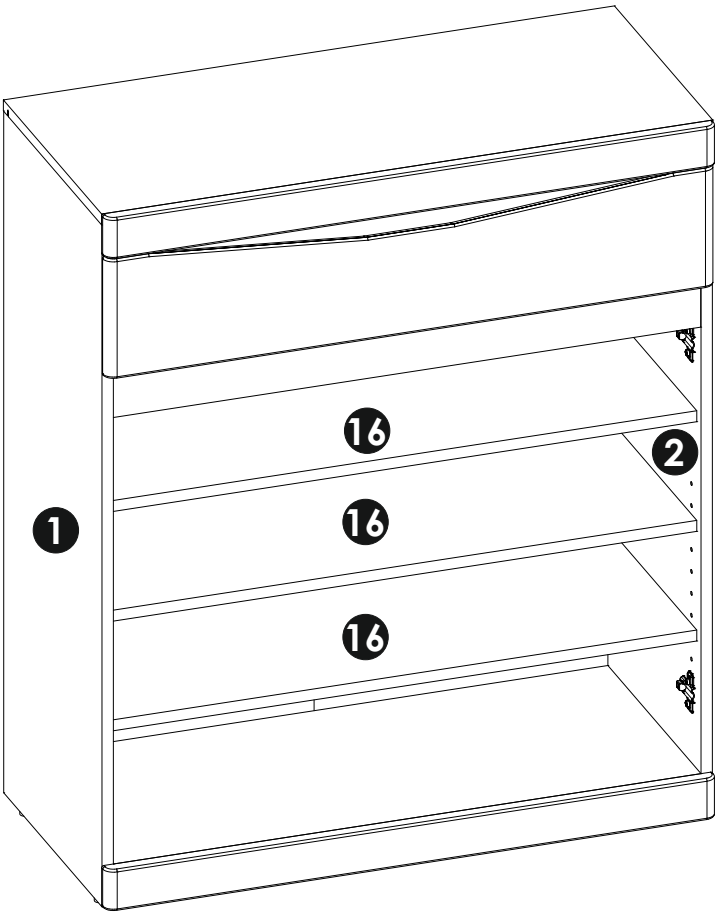




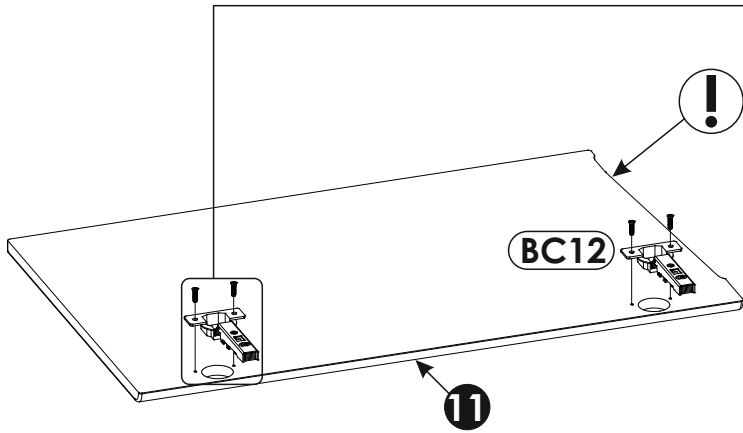
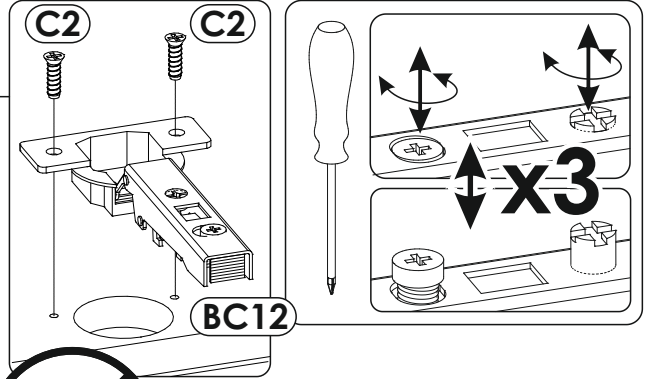
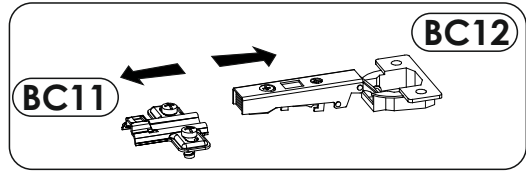
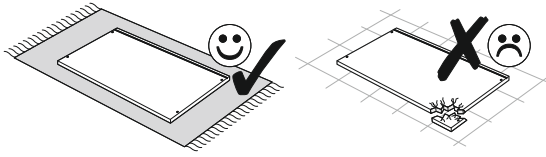
28▶



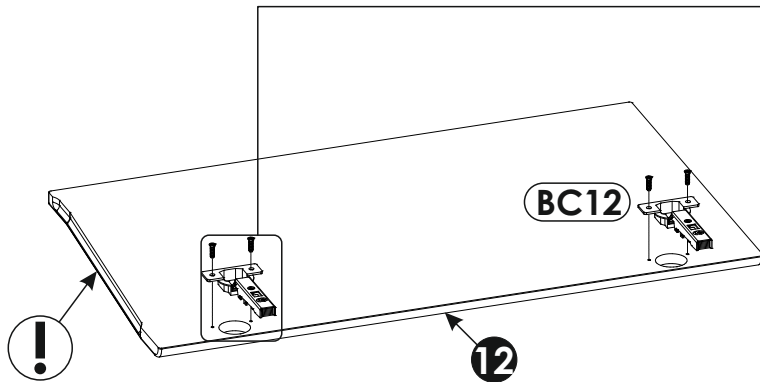
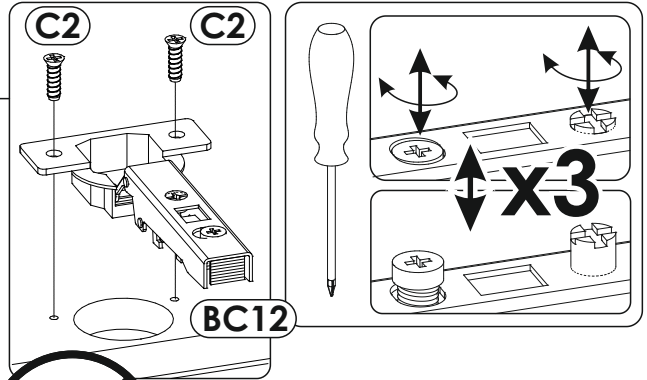
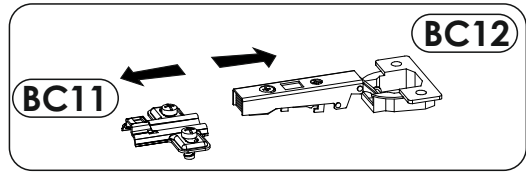
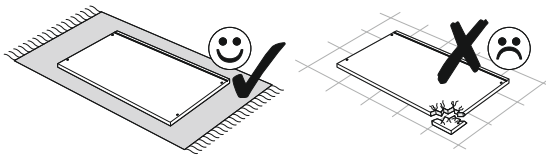
29▶

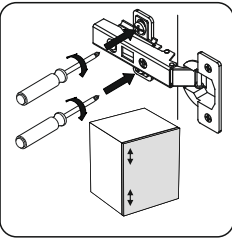
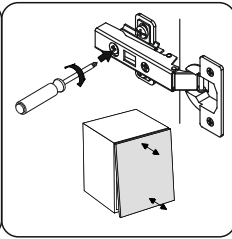
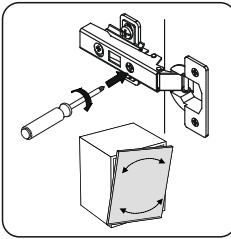
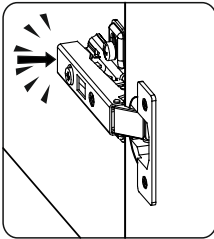
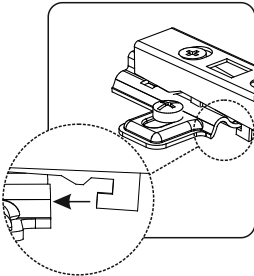
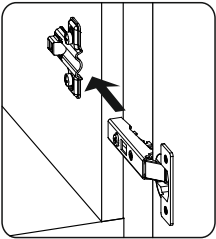
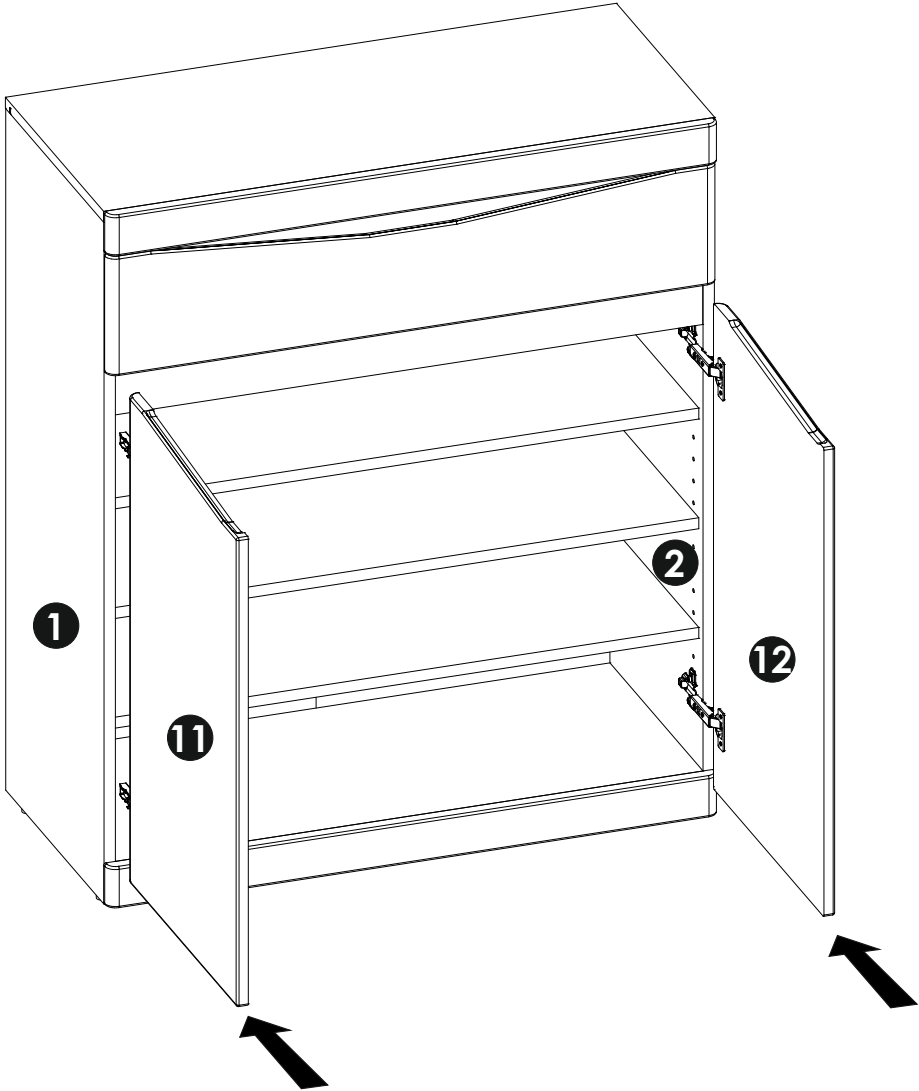


30 ▶

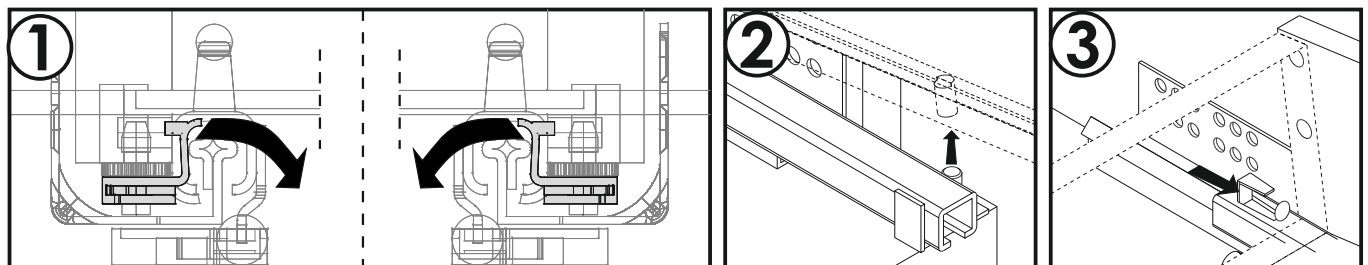
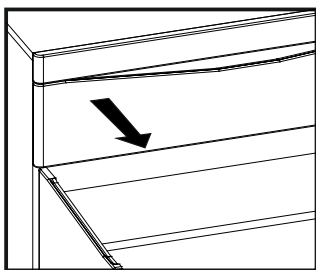
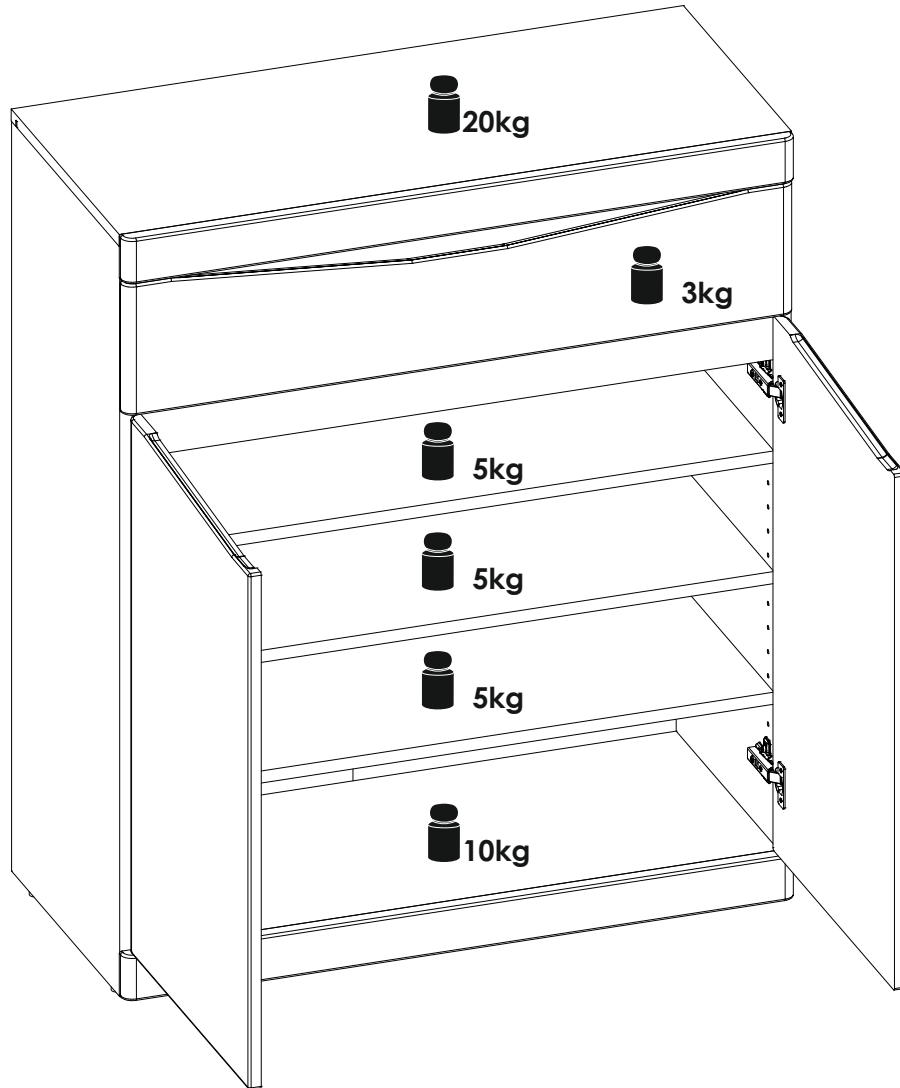
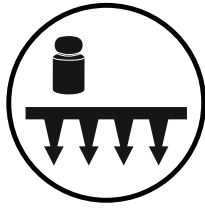


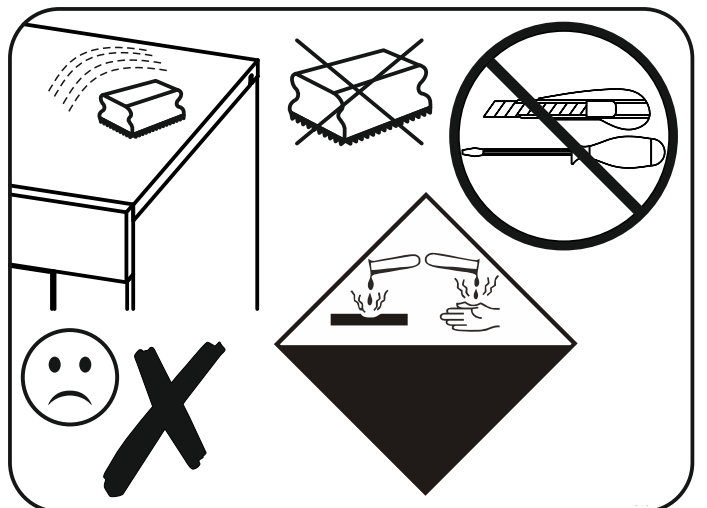
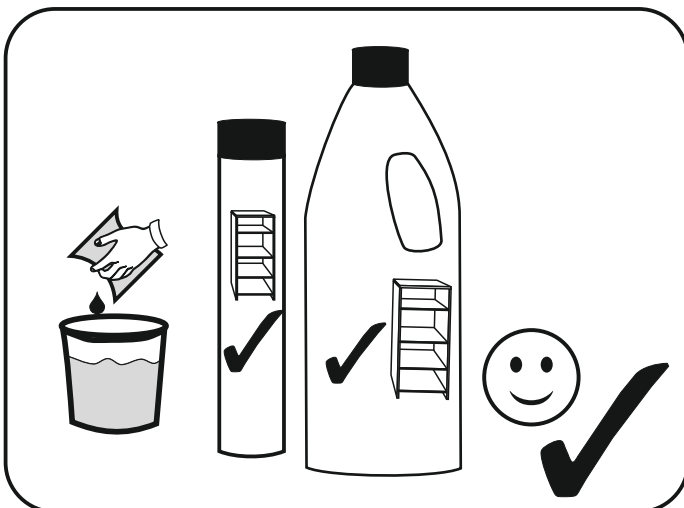
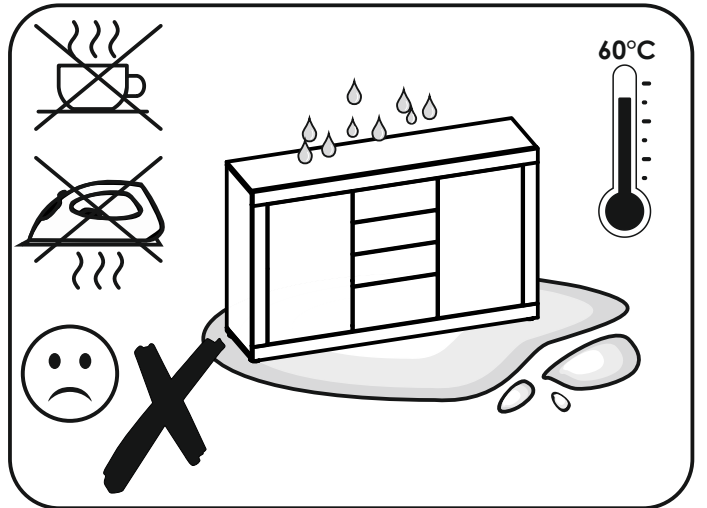
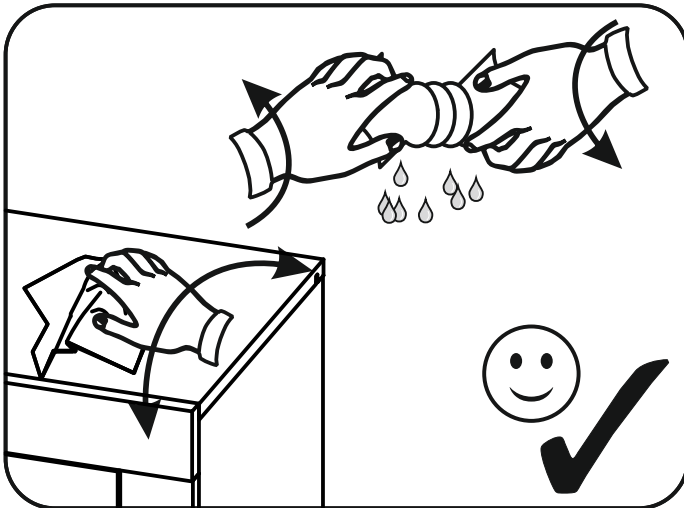
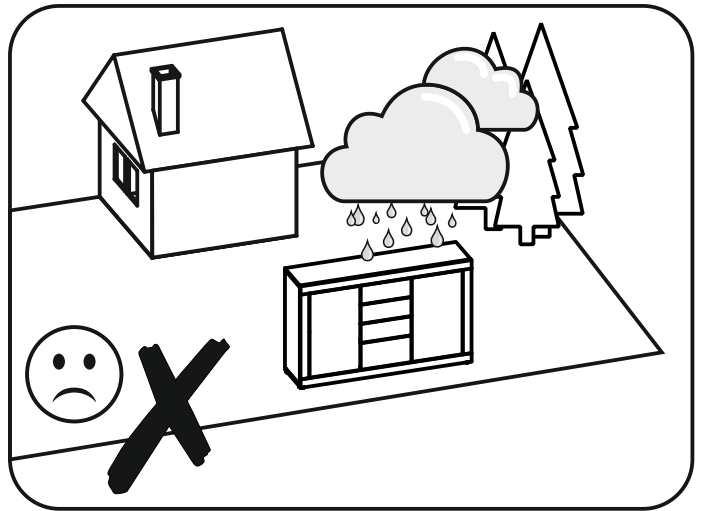
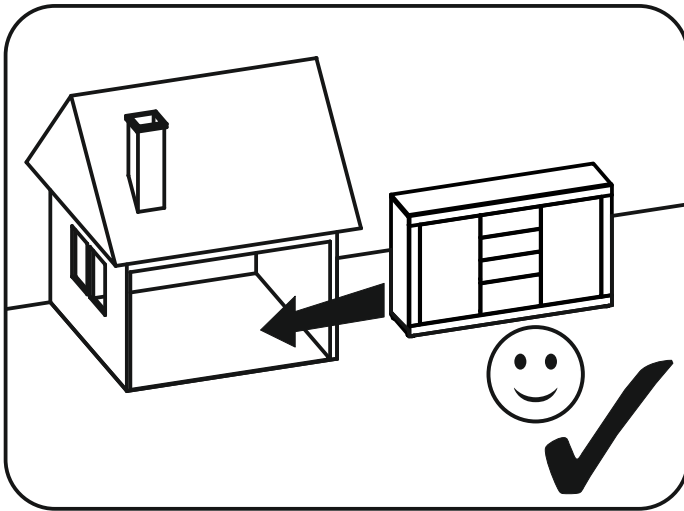
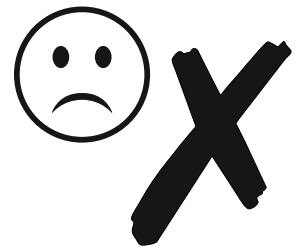
31 ▶

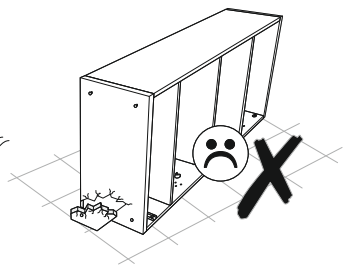
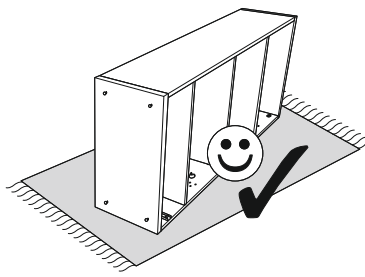
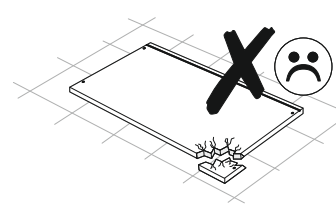
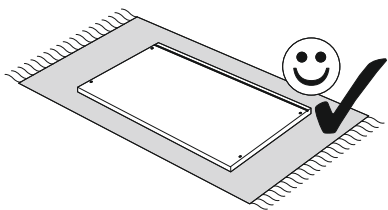
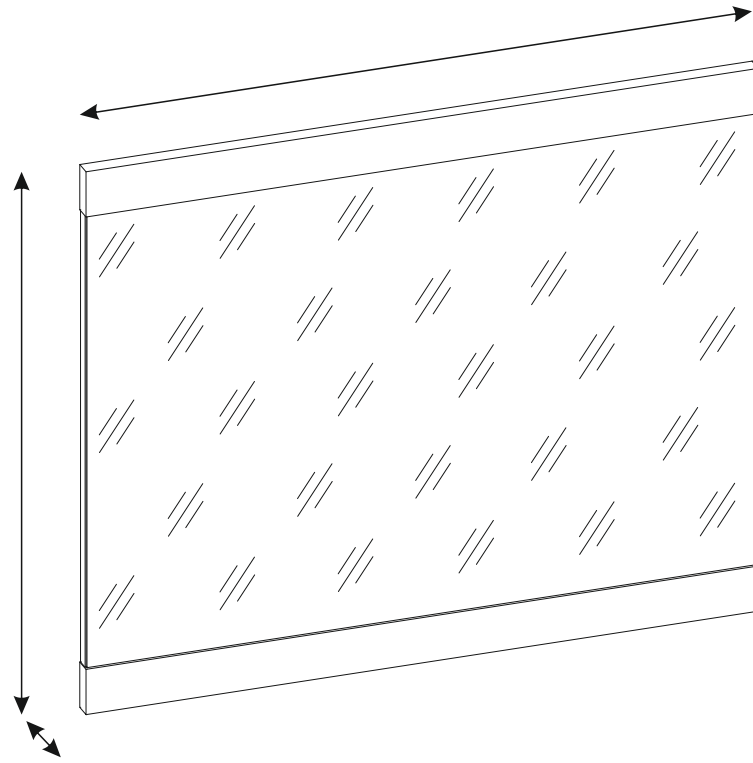
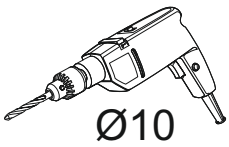
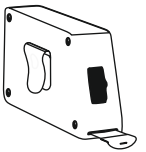
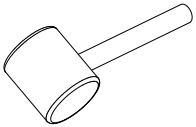
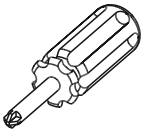
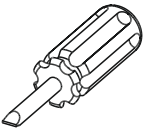
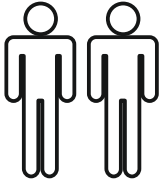


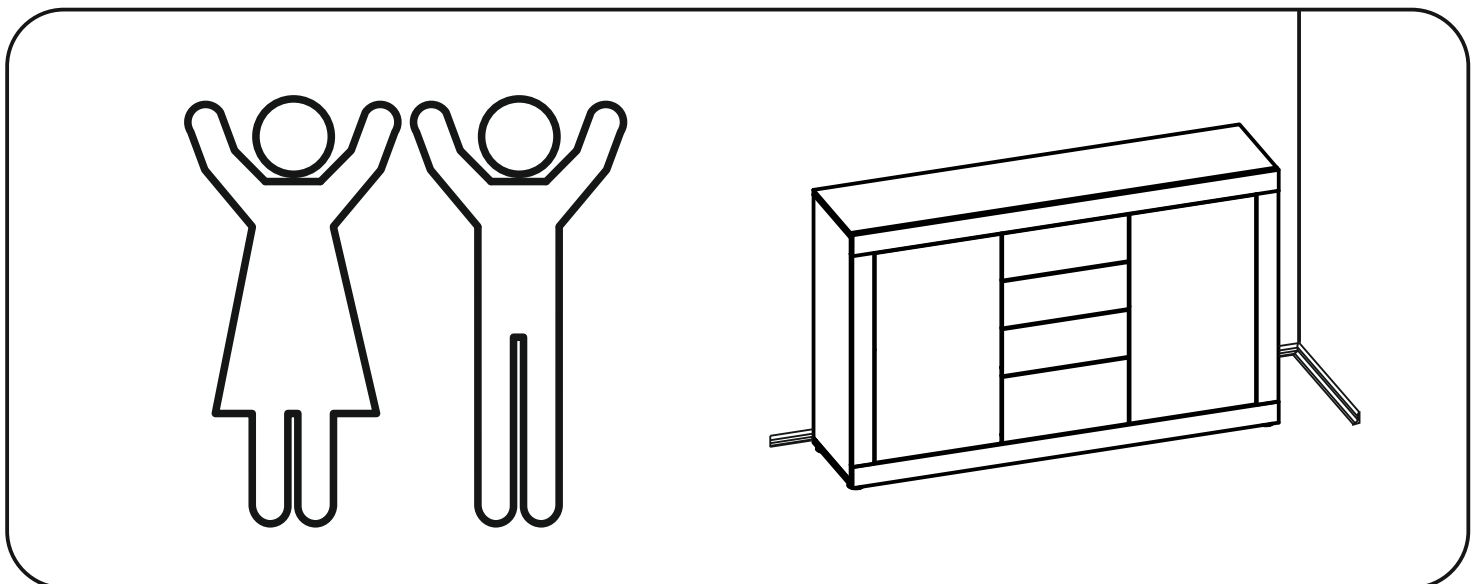
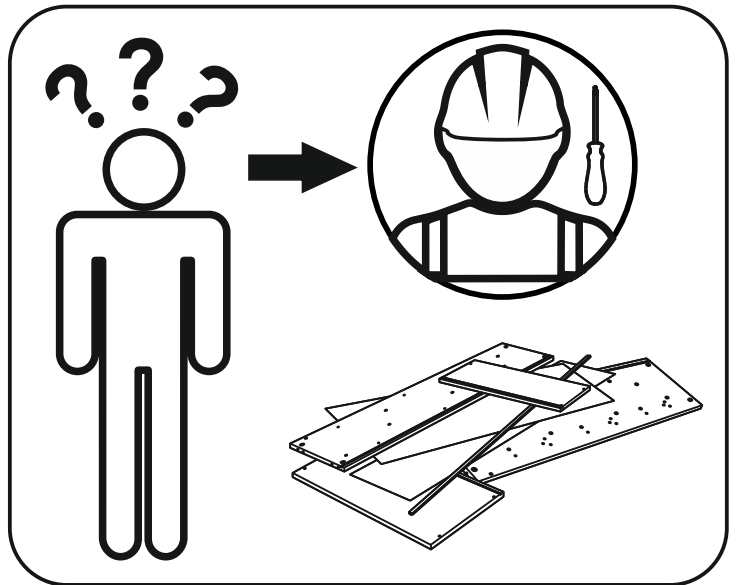
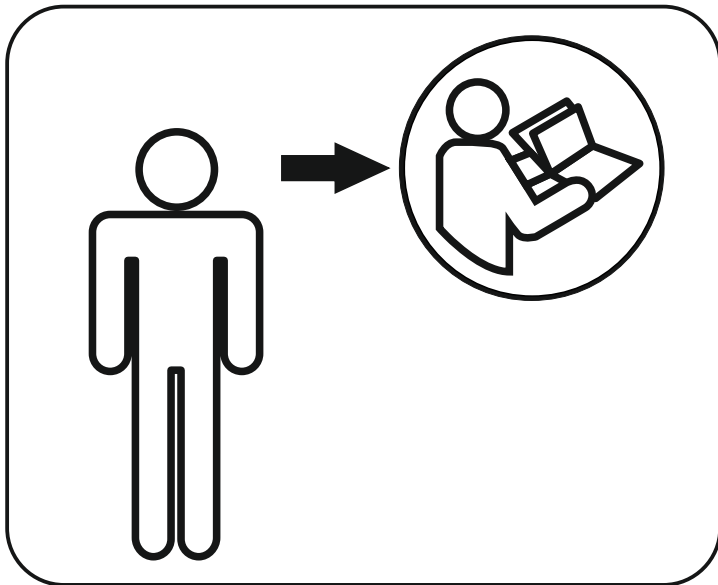
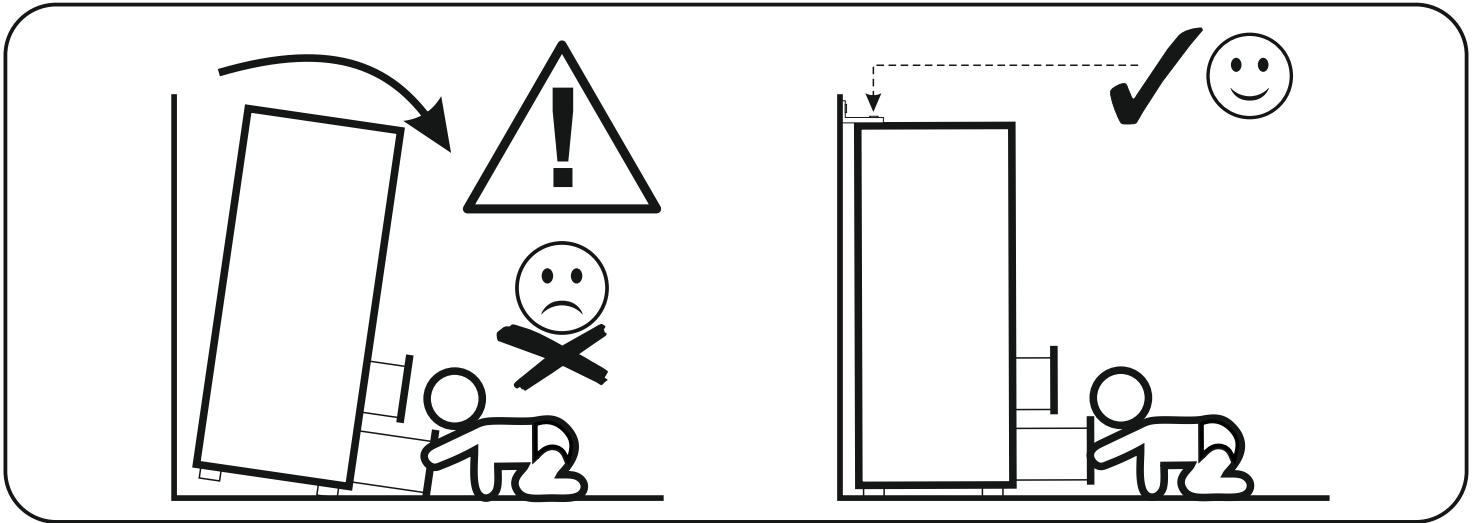
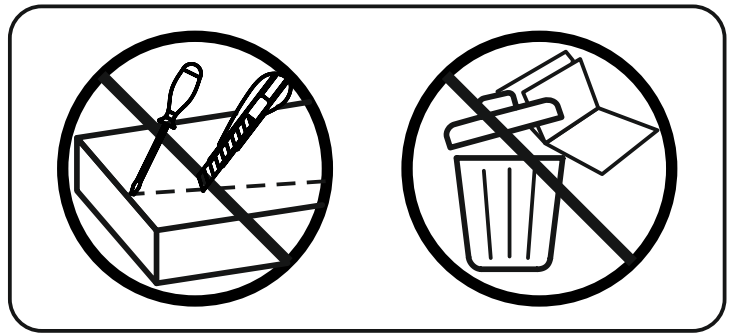
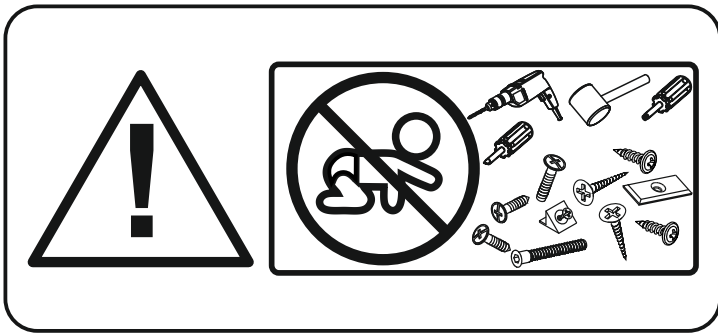


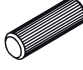
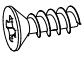

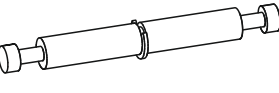
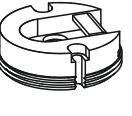

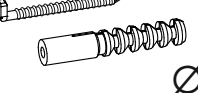
33 ▶

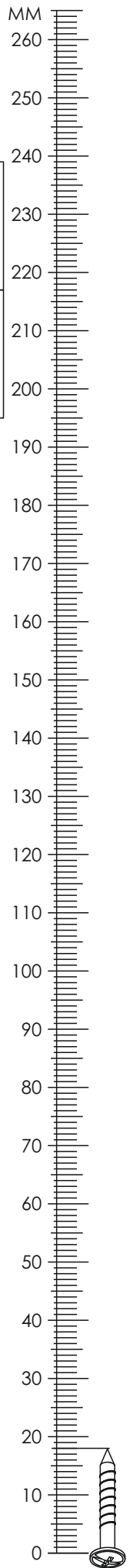


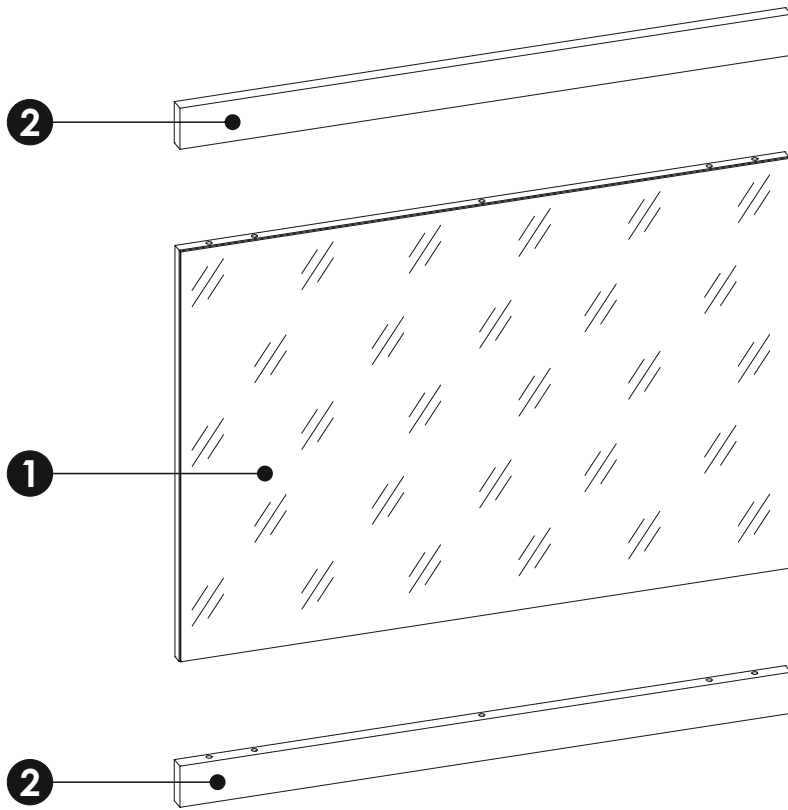
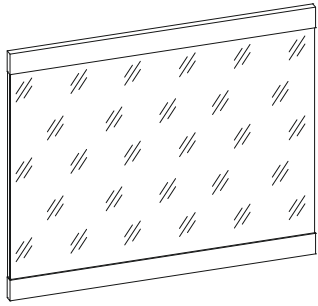




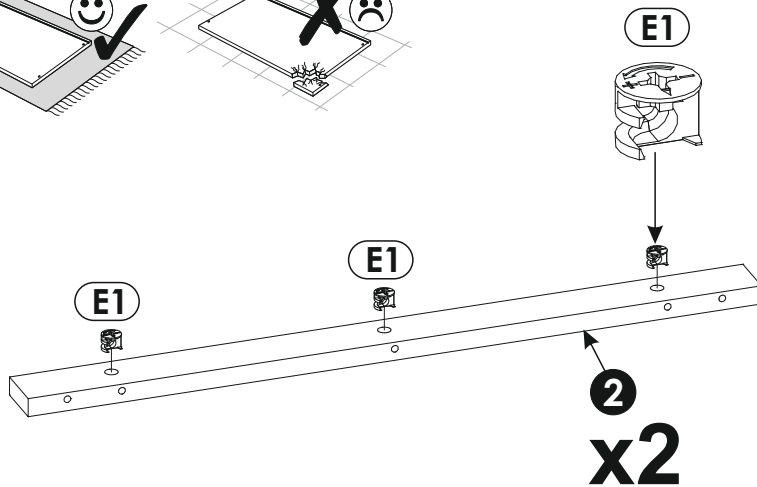
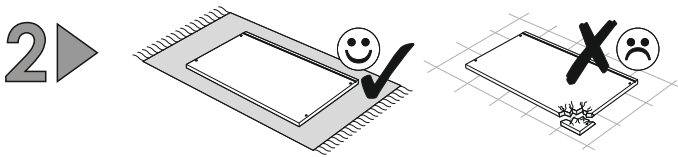
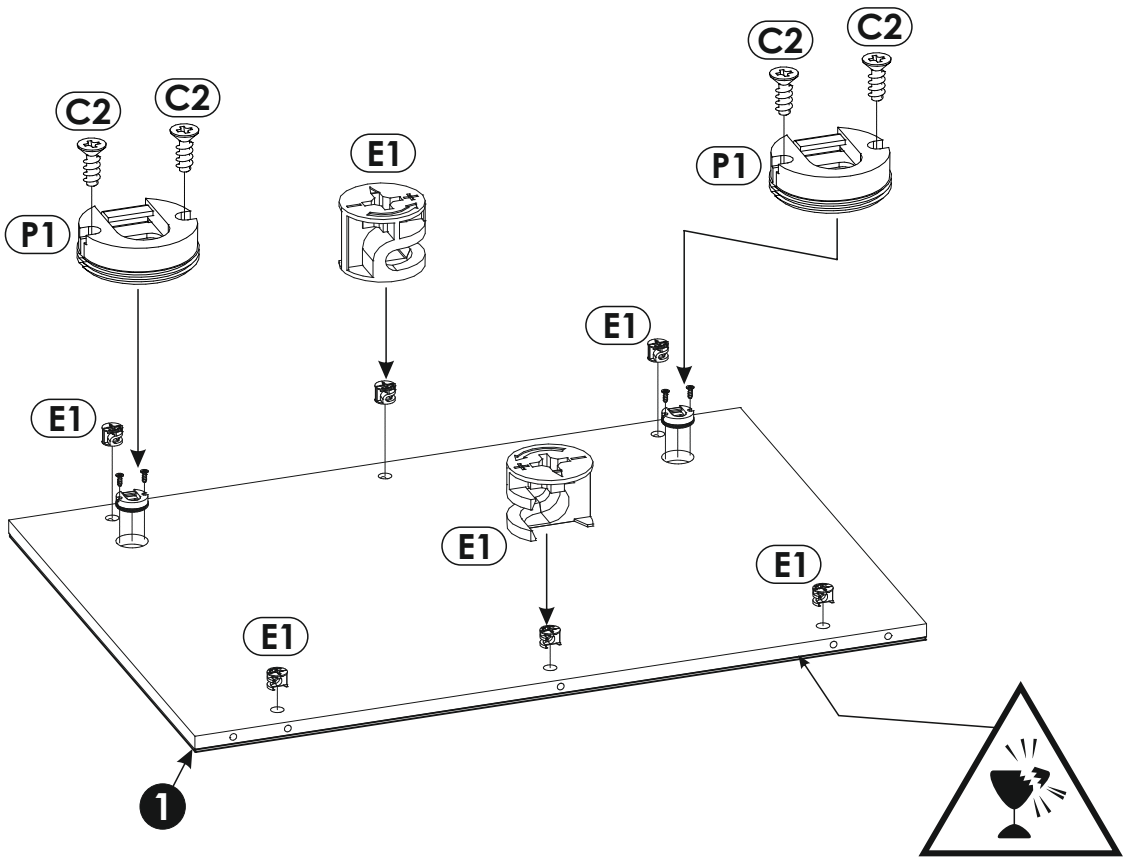
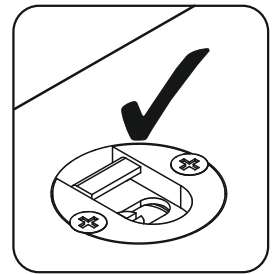
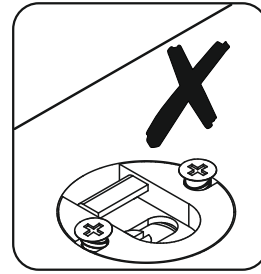
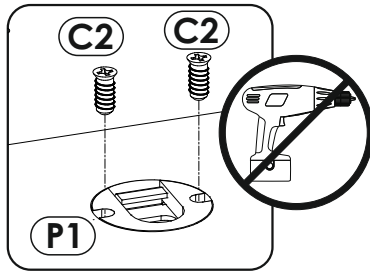
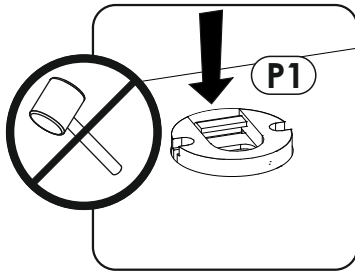
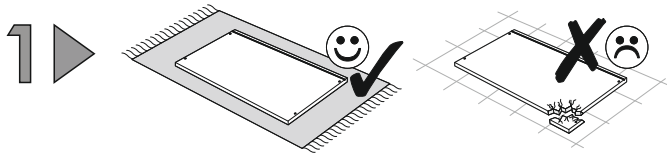


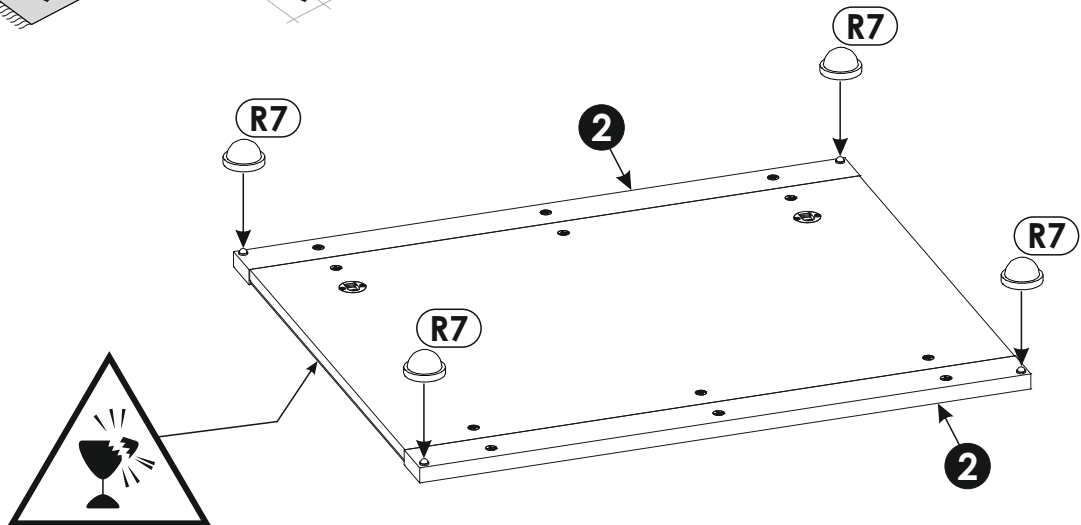
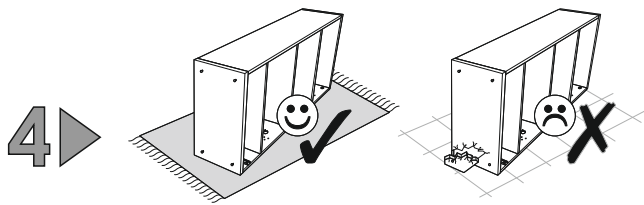
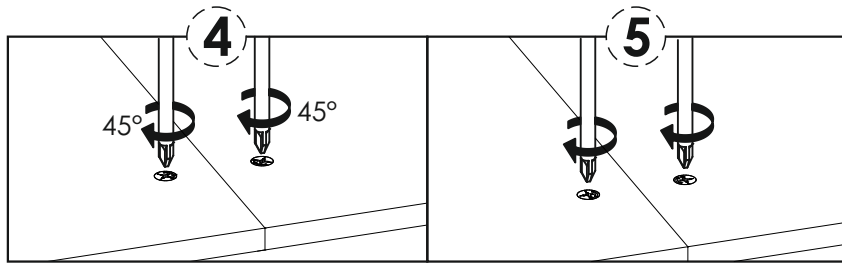
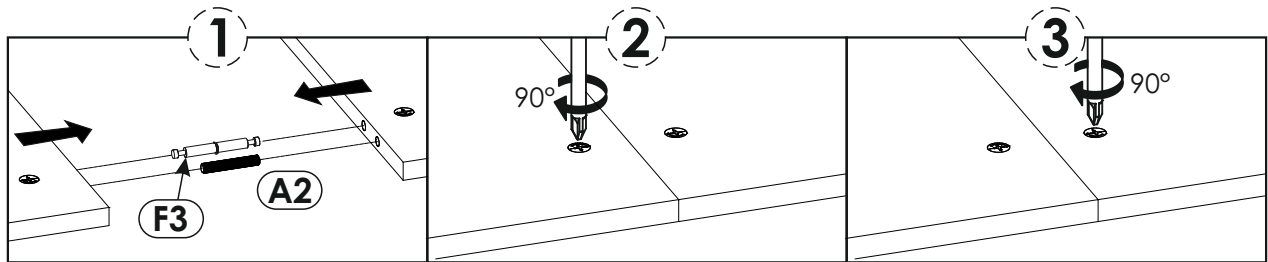
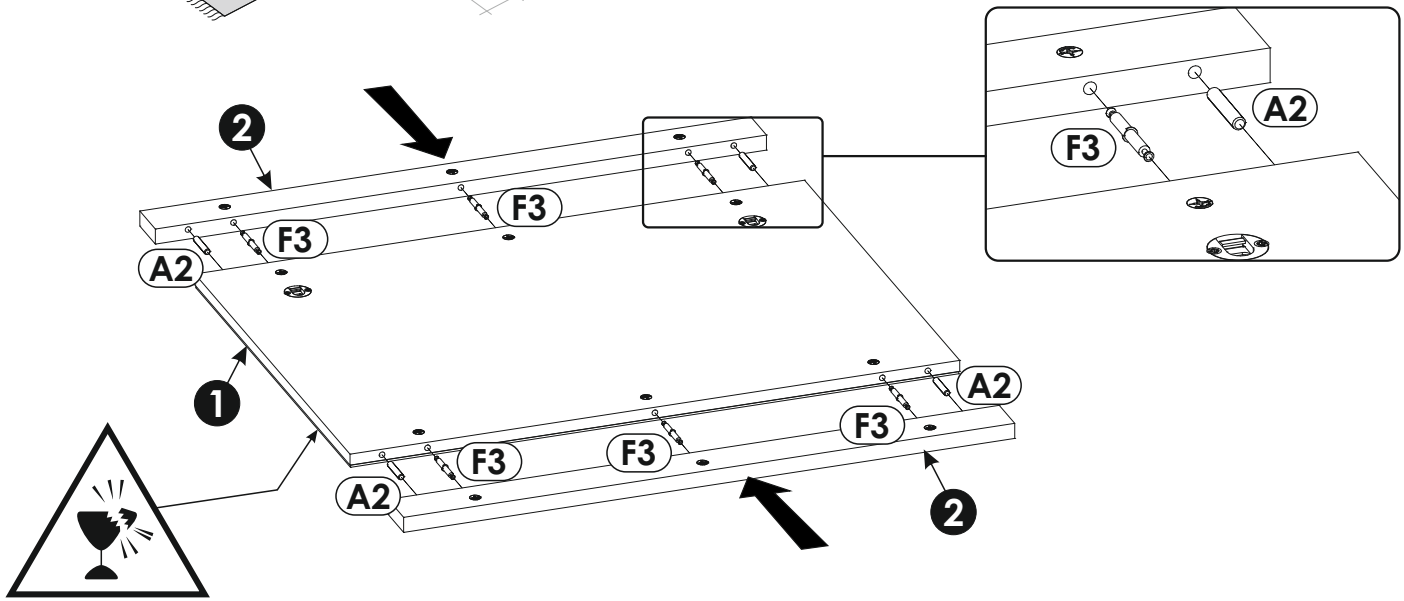
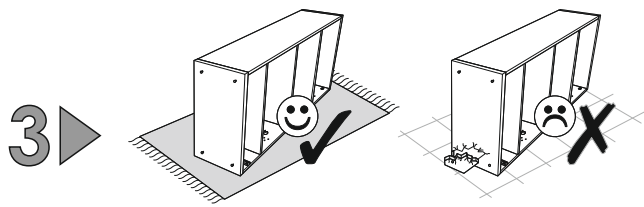
A2 8 x 45 mm x4 	C2 5 x 13 mm x4 	E1 15 x 12 mm x12 
F3 7 x 64 mm x6 	P1 x2 	R7 x4 
Y2 x2  Ø10		



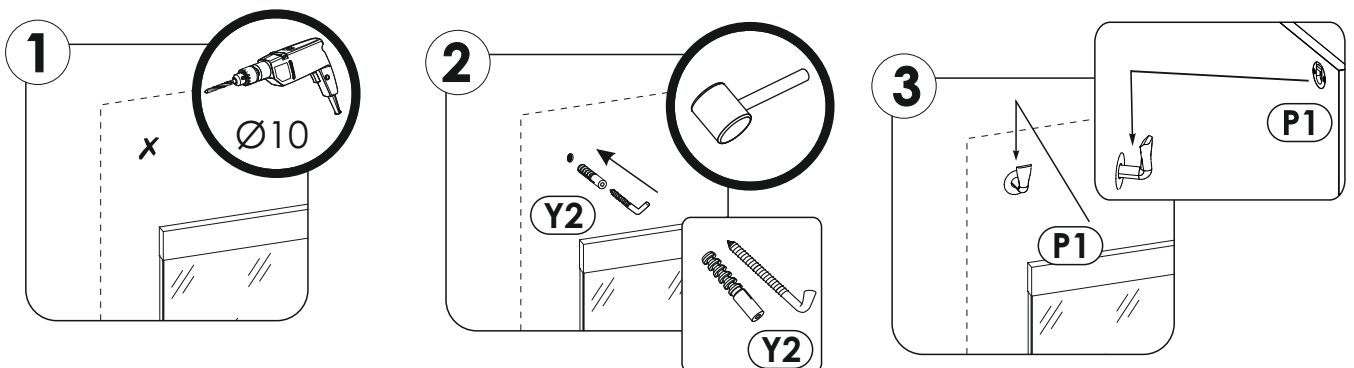
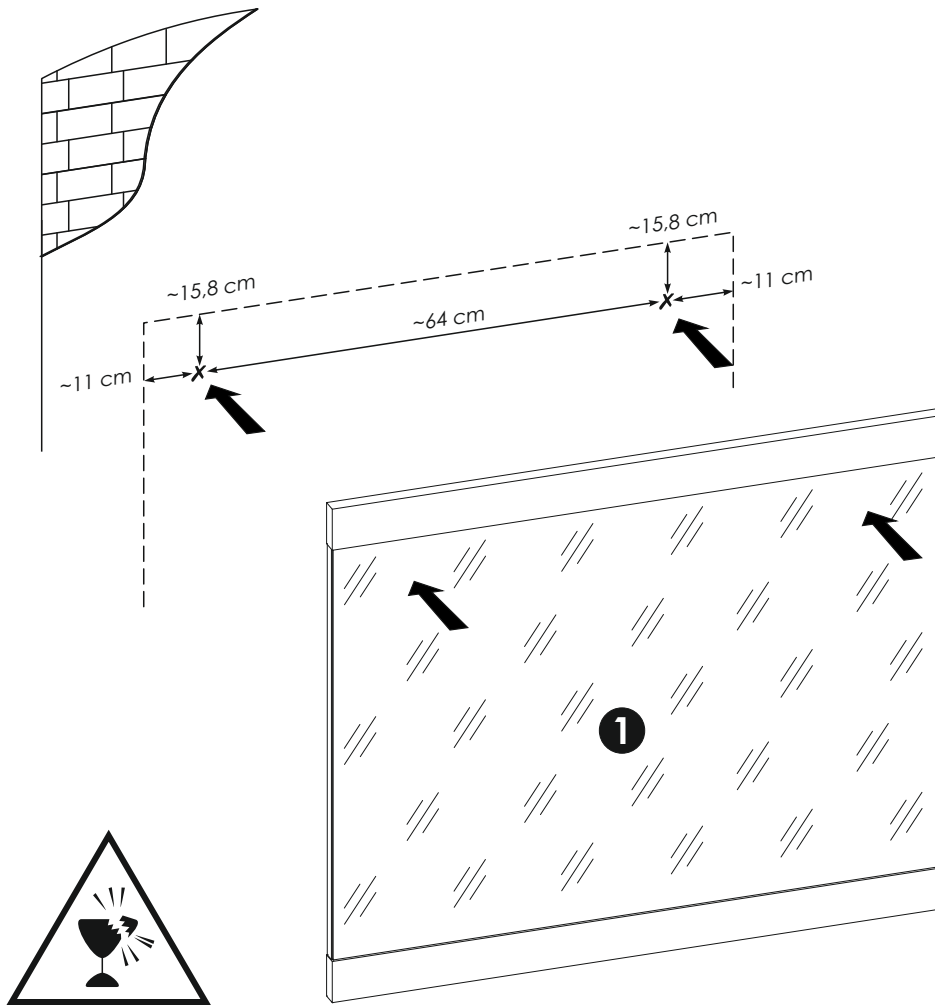
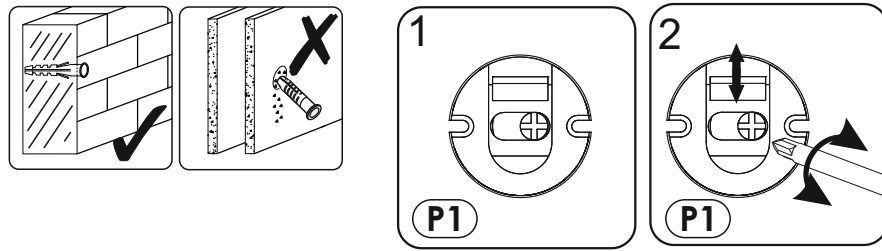


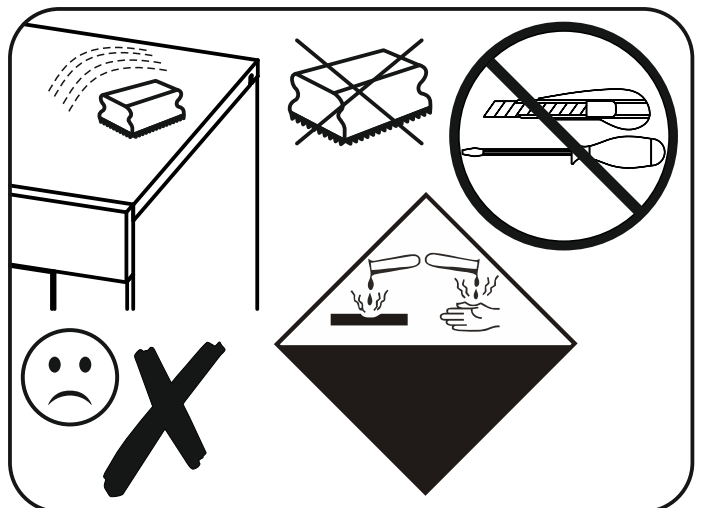
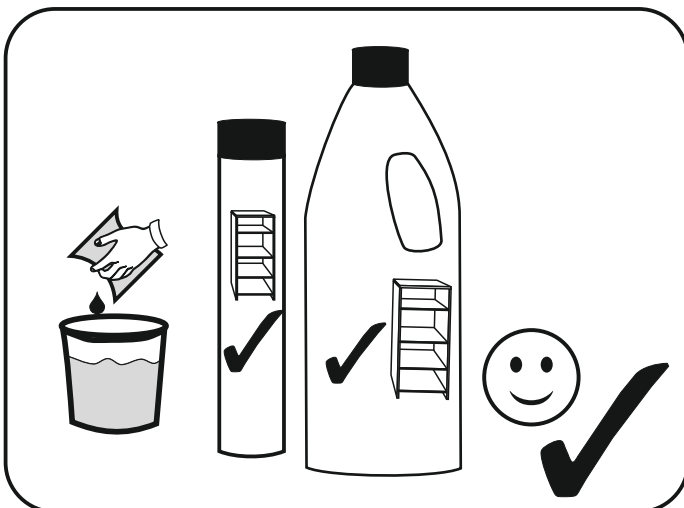
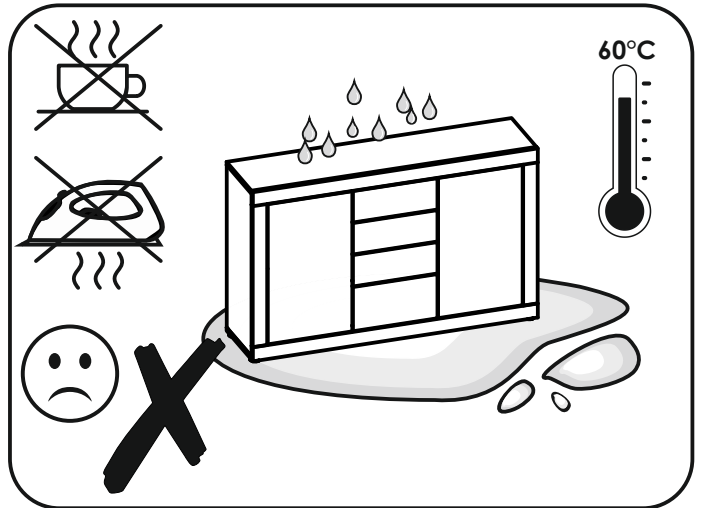
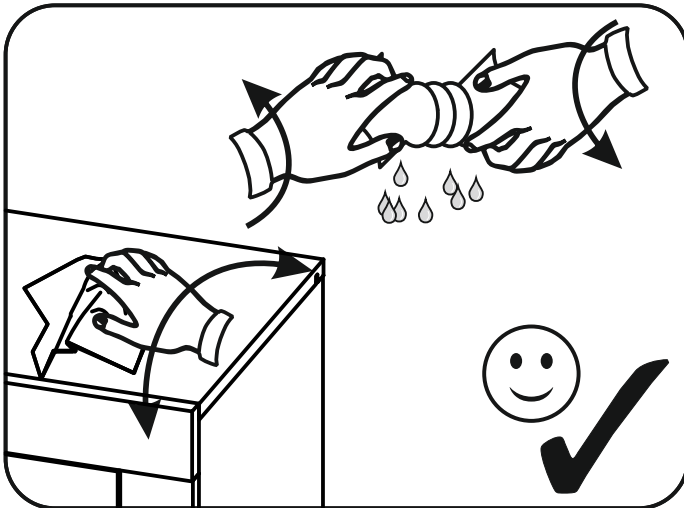
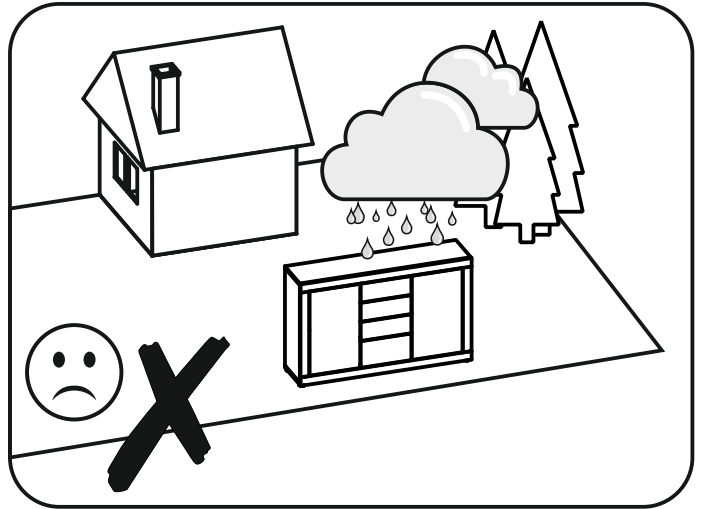
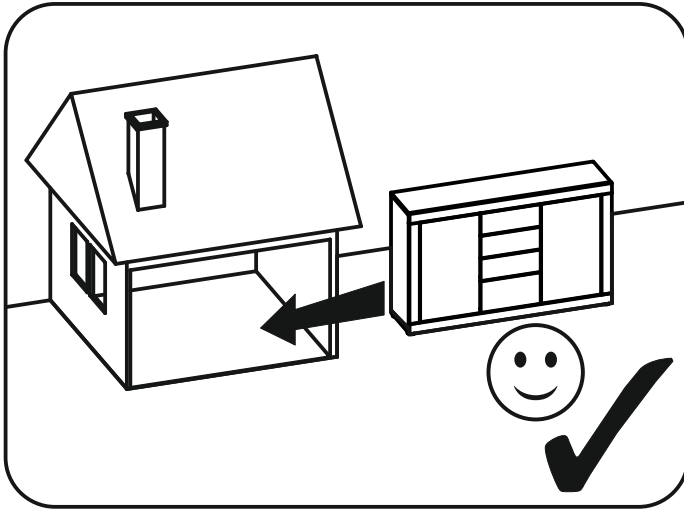
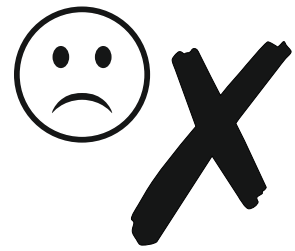
1	858	600	20	x1	1/1
2	860	60	22	x2	1/1

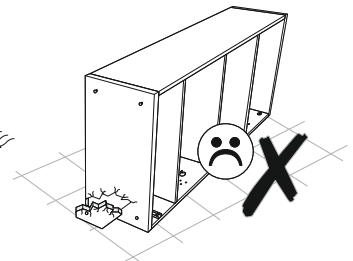
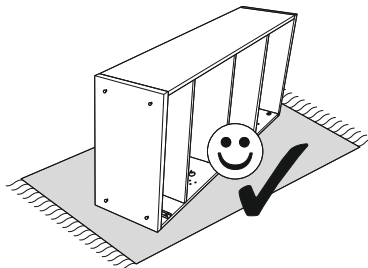
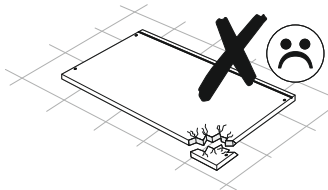
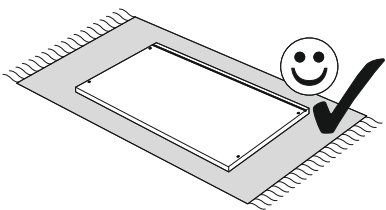
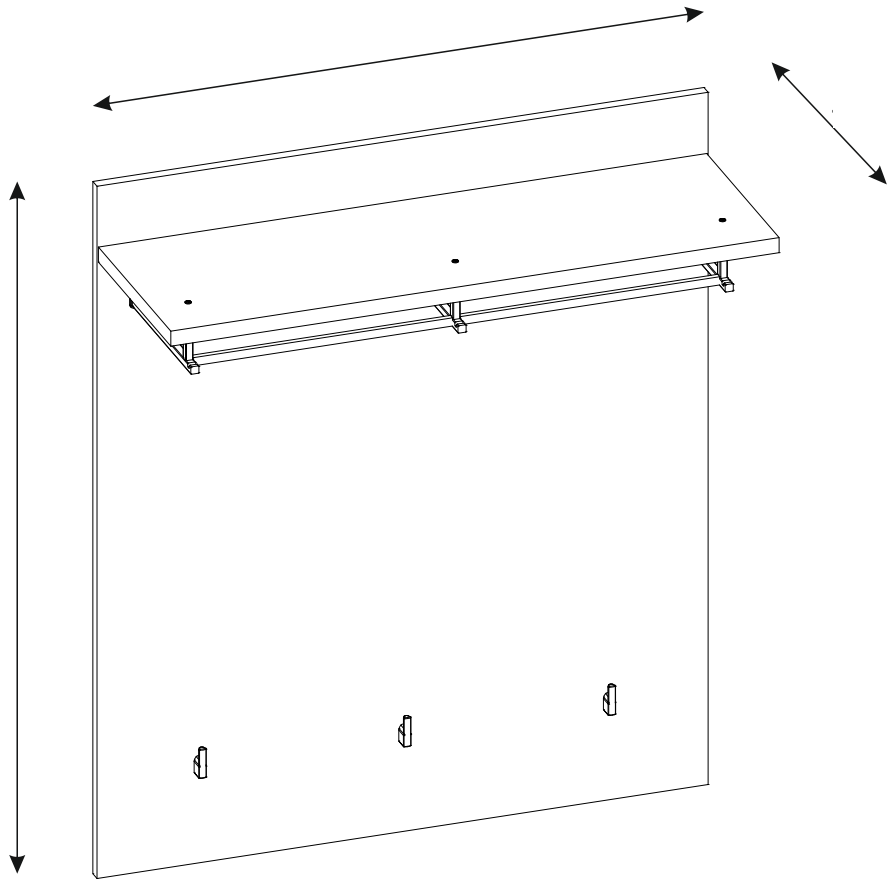
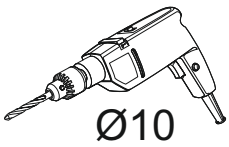
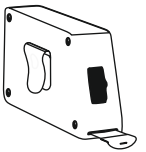
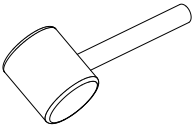
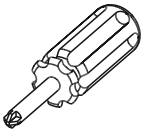
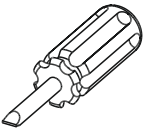
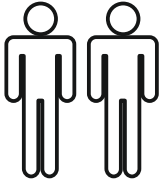


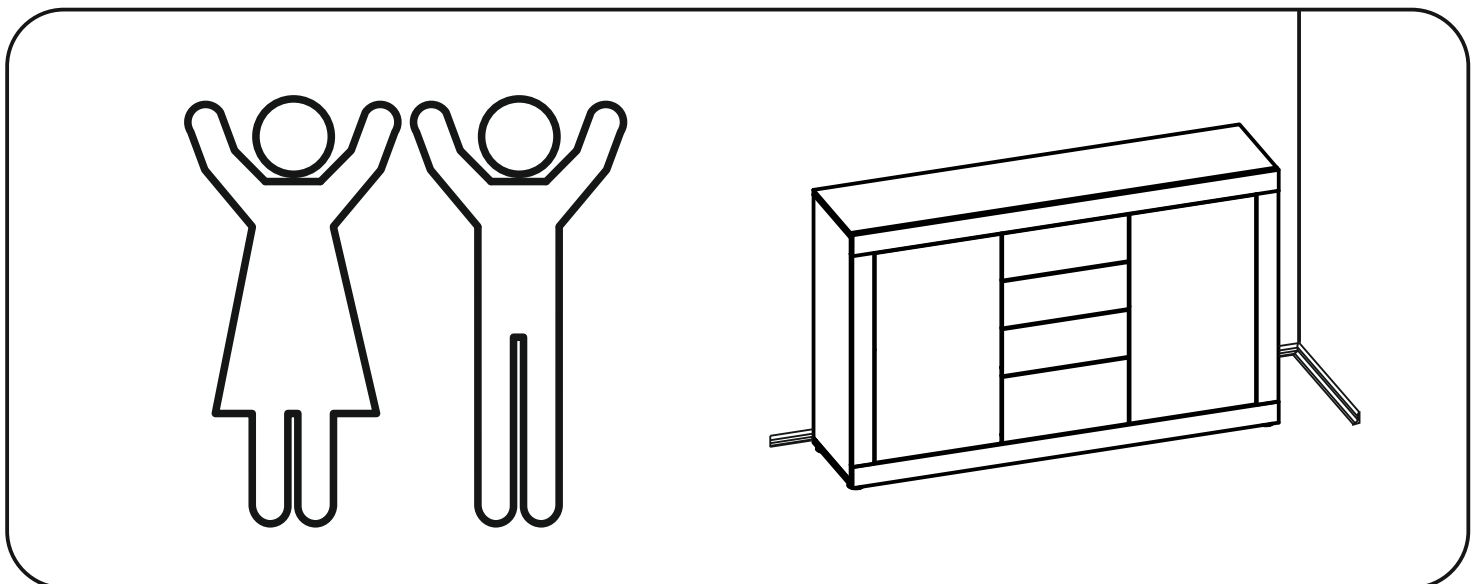
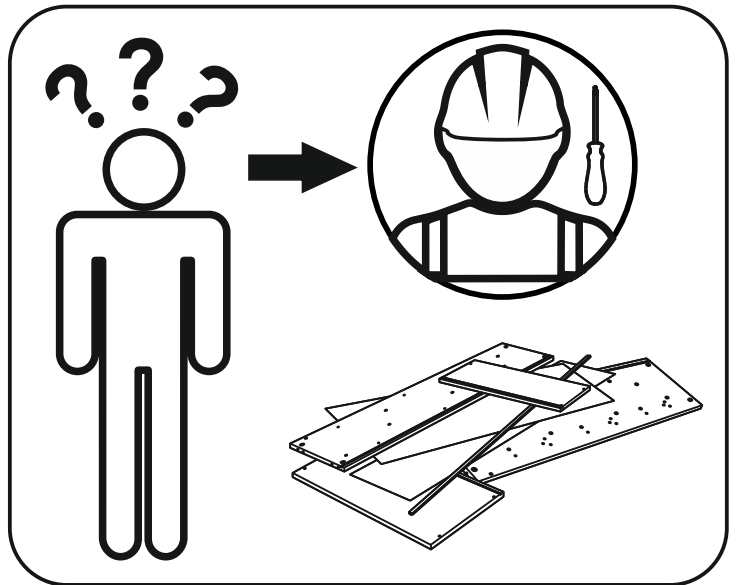
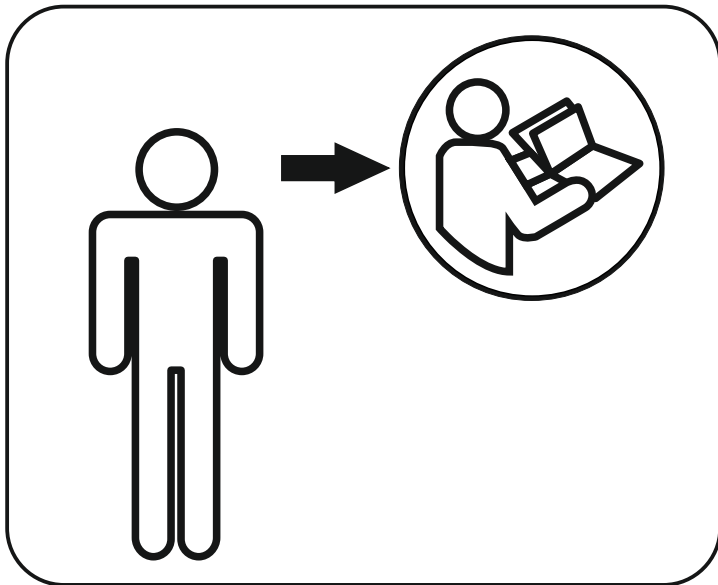
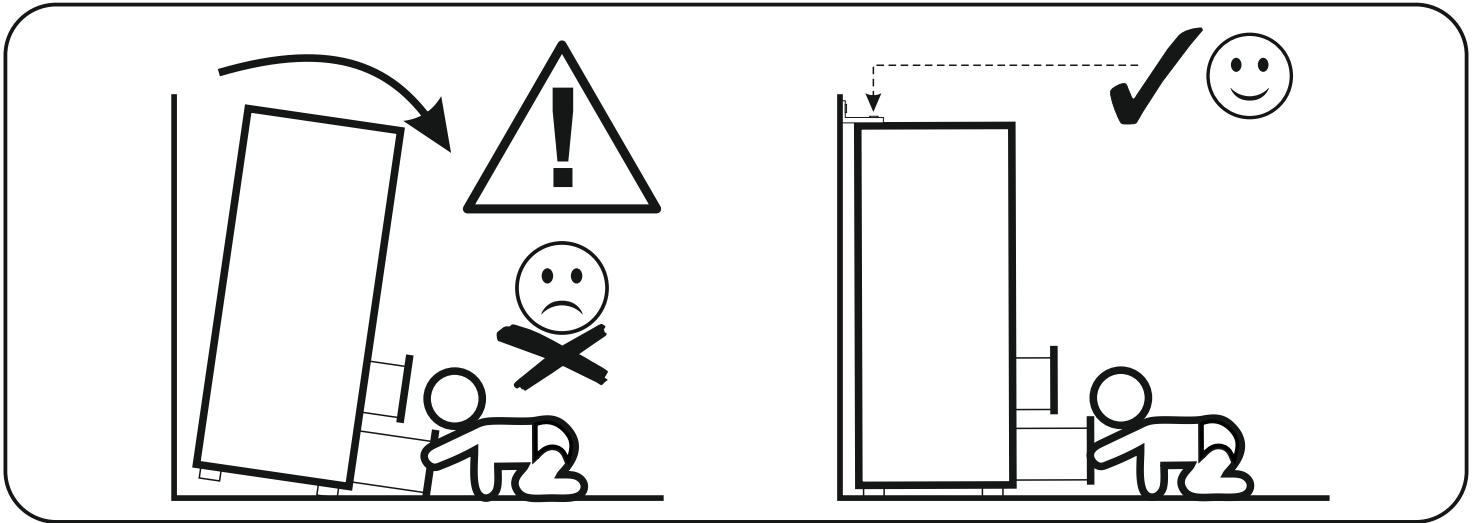
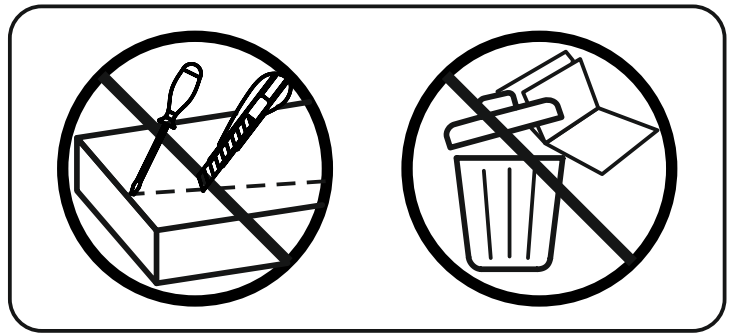
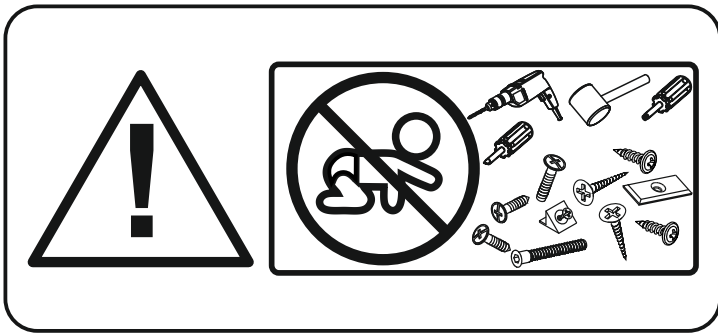


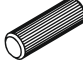
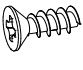

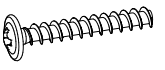
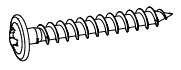
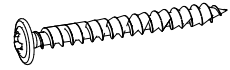
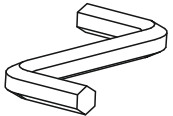
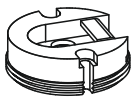

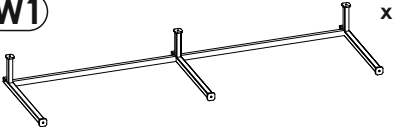
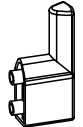
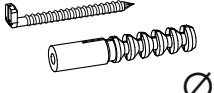
5 ▶

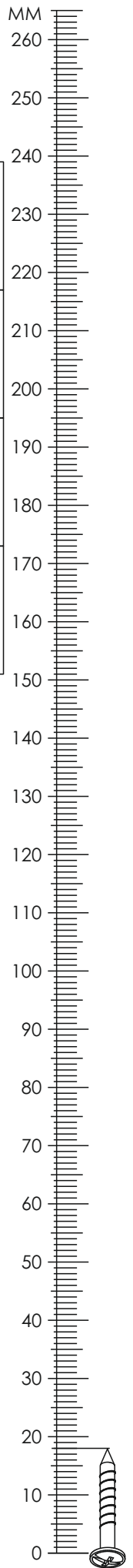


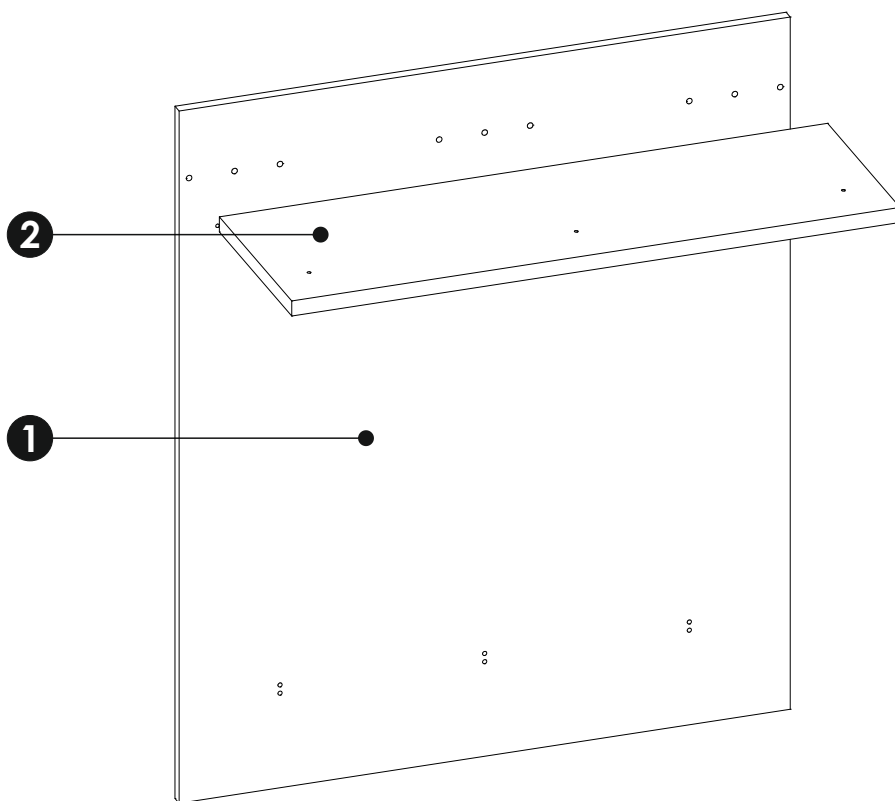
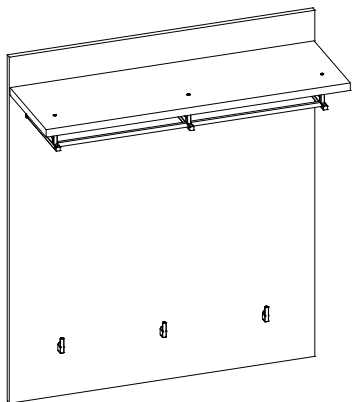




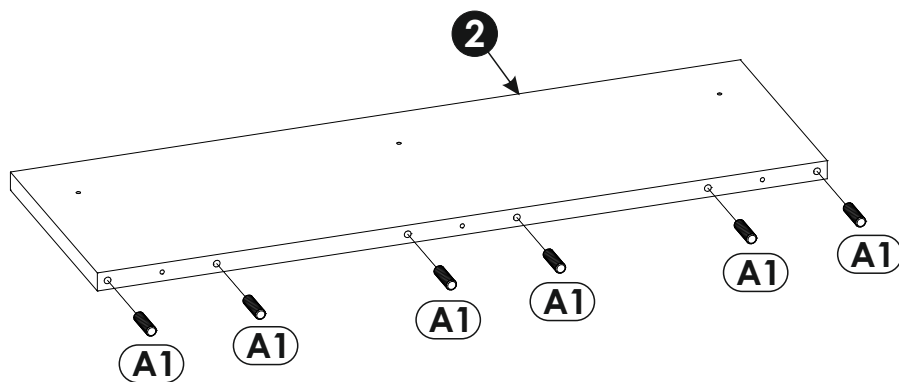
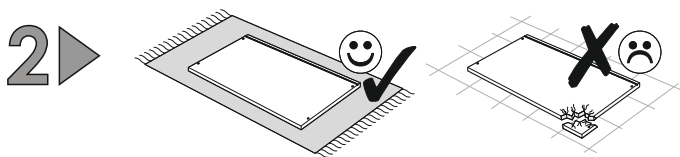
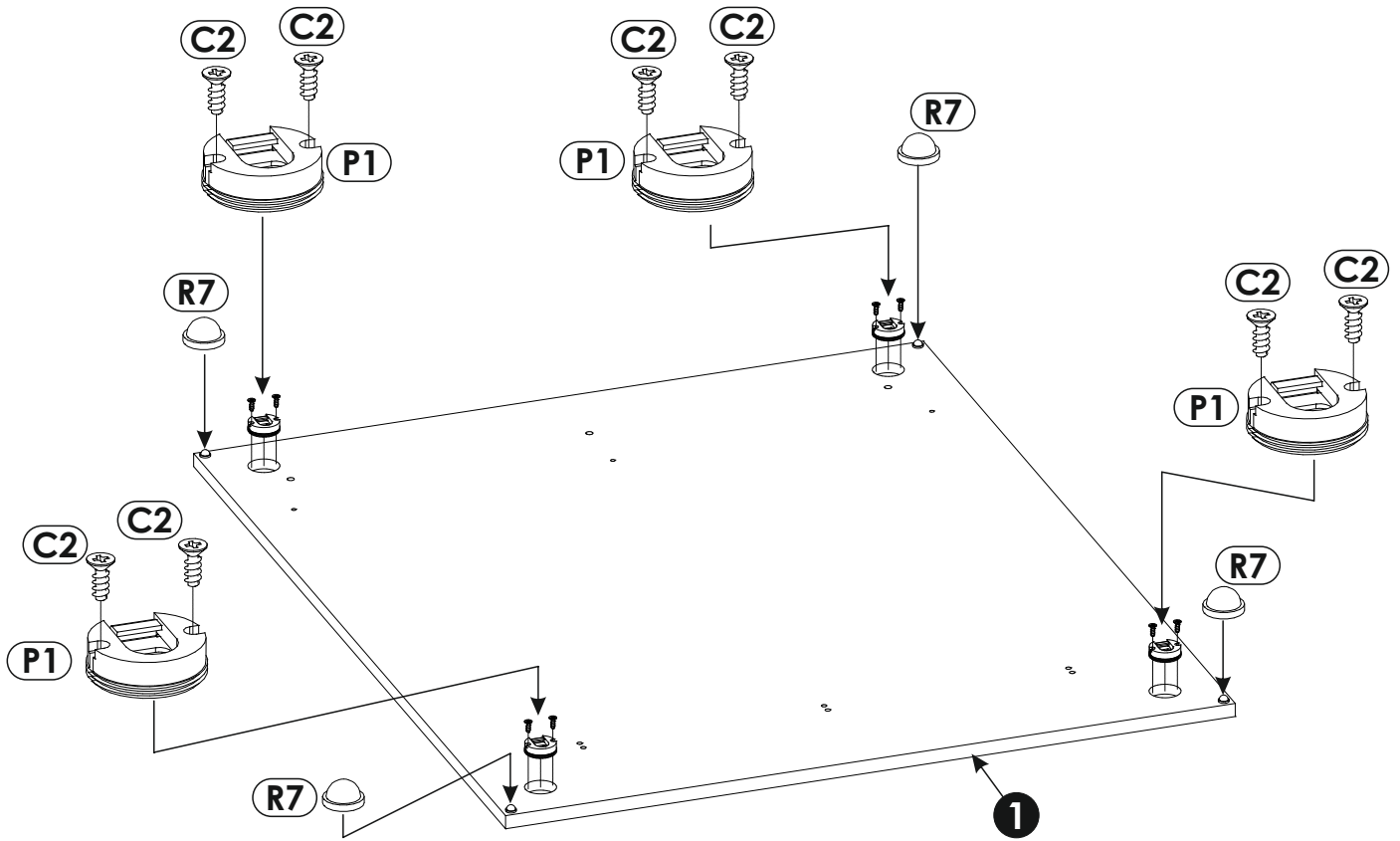
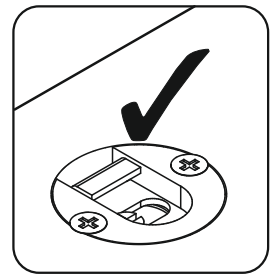
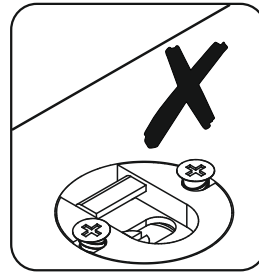
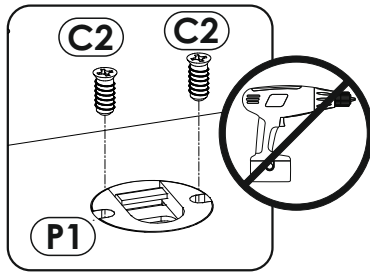
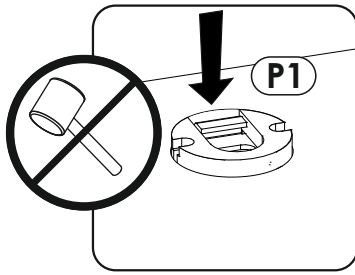
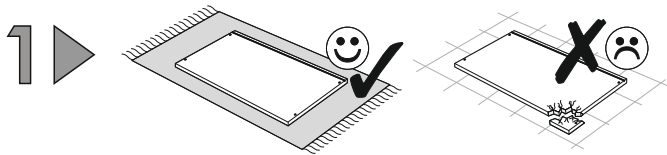


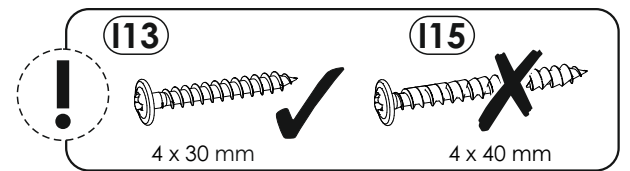
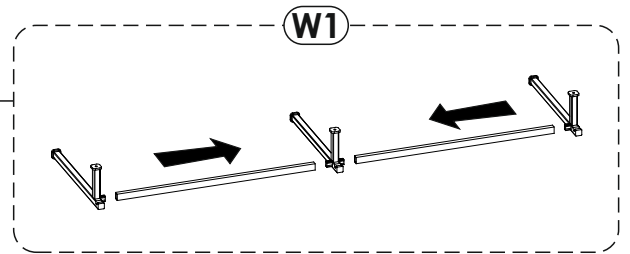
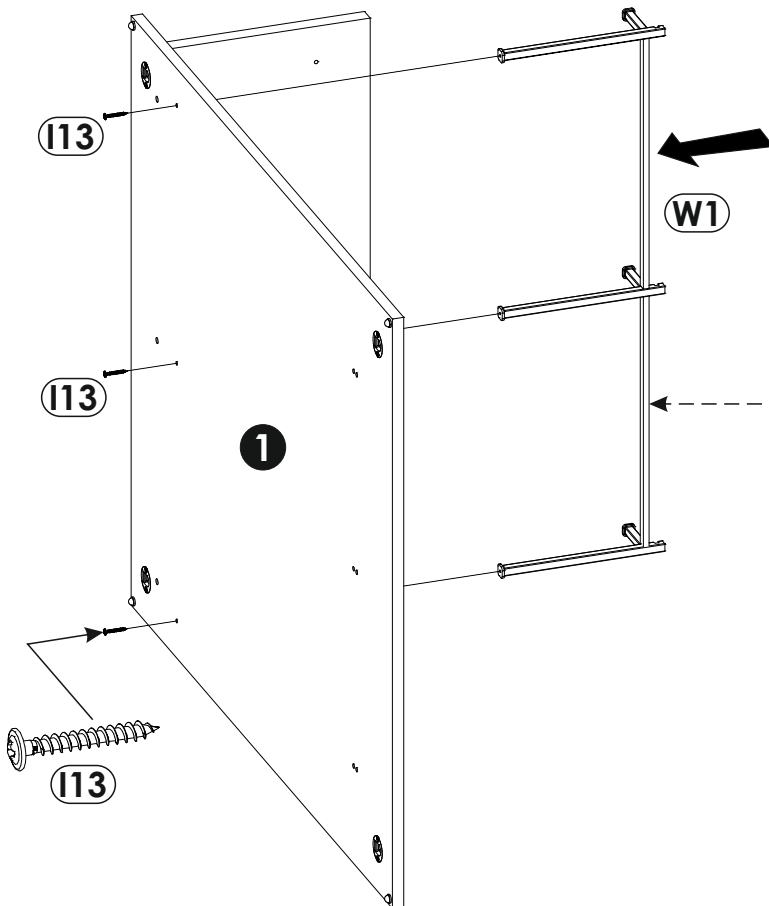
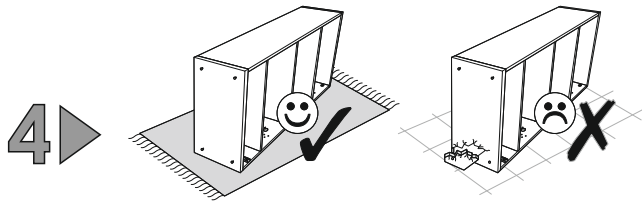
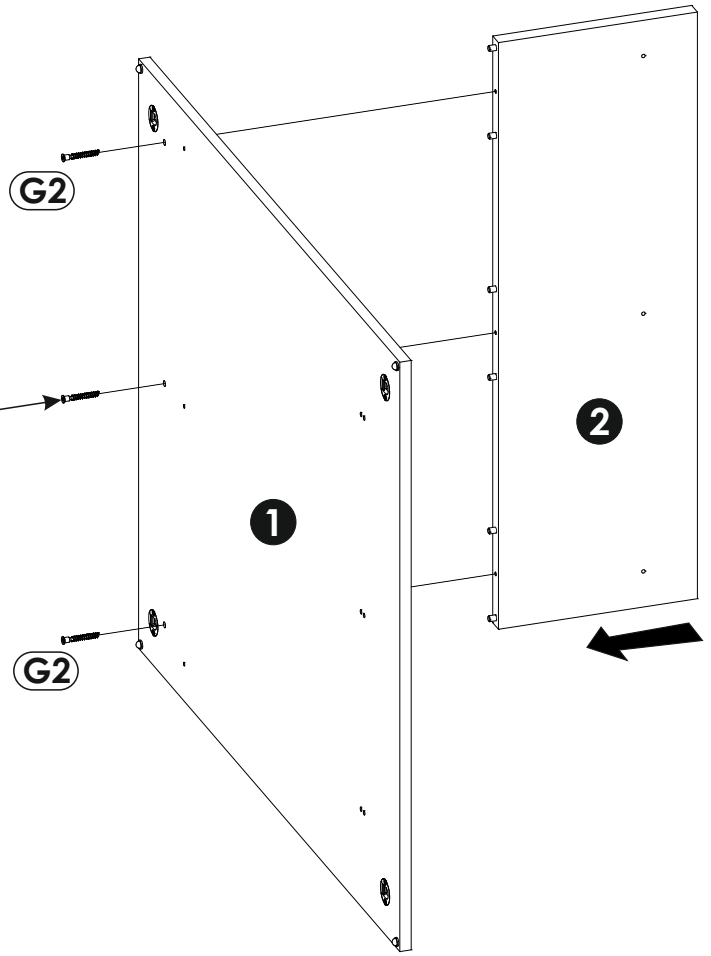
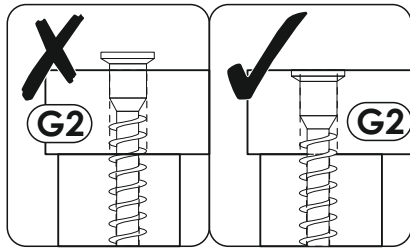
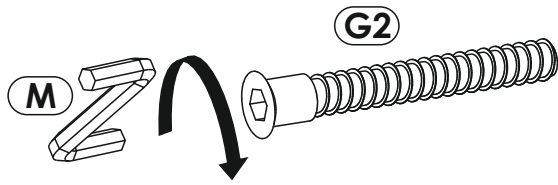
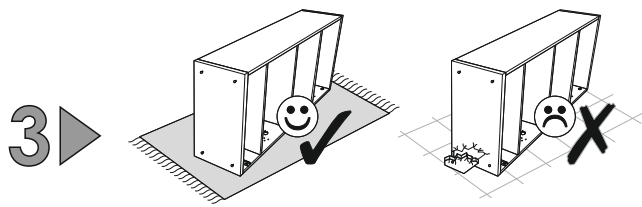
A1 8 x 35 mm x6 	C2 5 x 13 mm x8 	G2 7 x 60 mm x3 
I12 4 x 27 mm x6 	I13 4 x 30 mm x3 	I15 4 x 40 mm x3 
M x1 	P1 x4 	R7 x4 
W1 x1 	W2 x3 	Y2 x4  Ø10

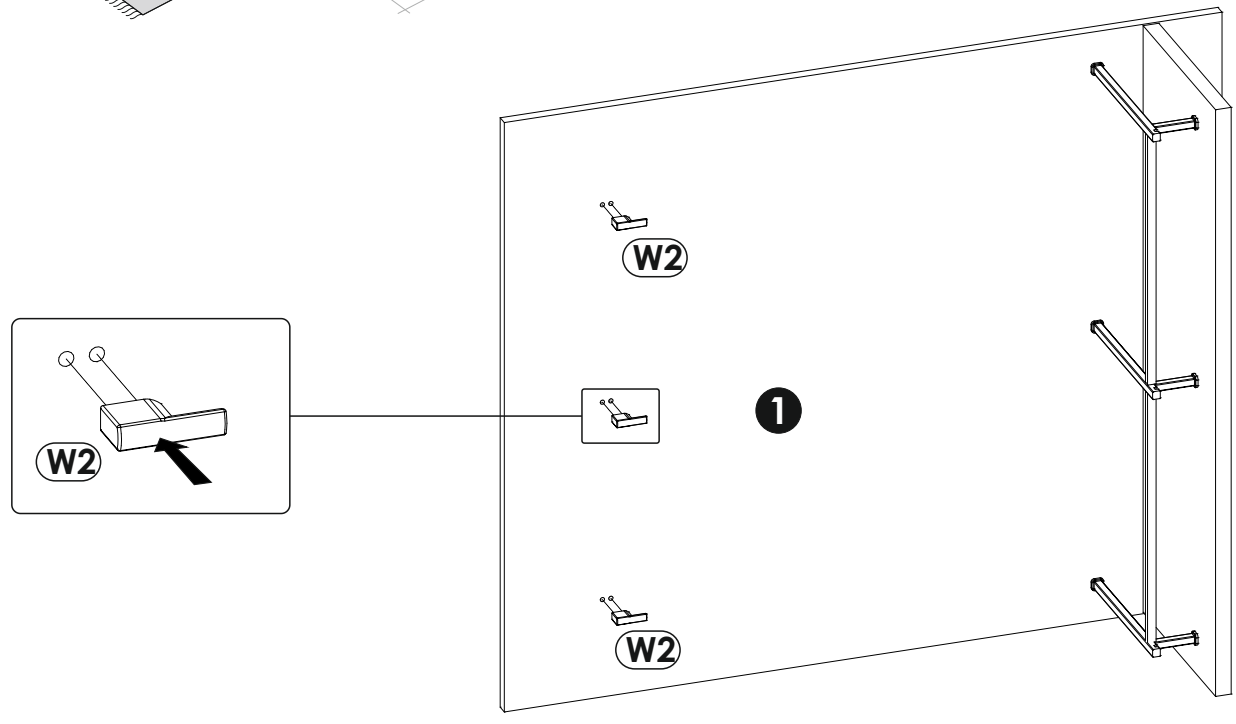
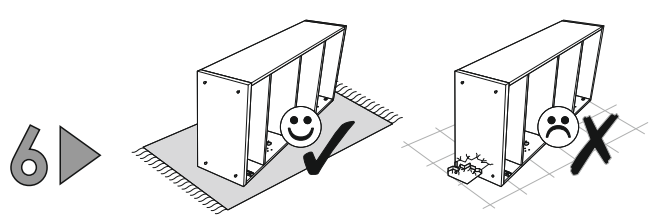
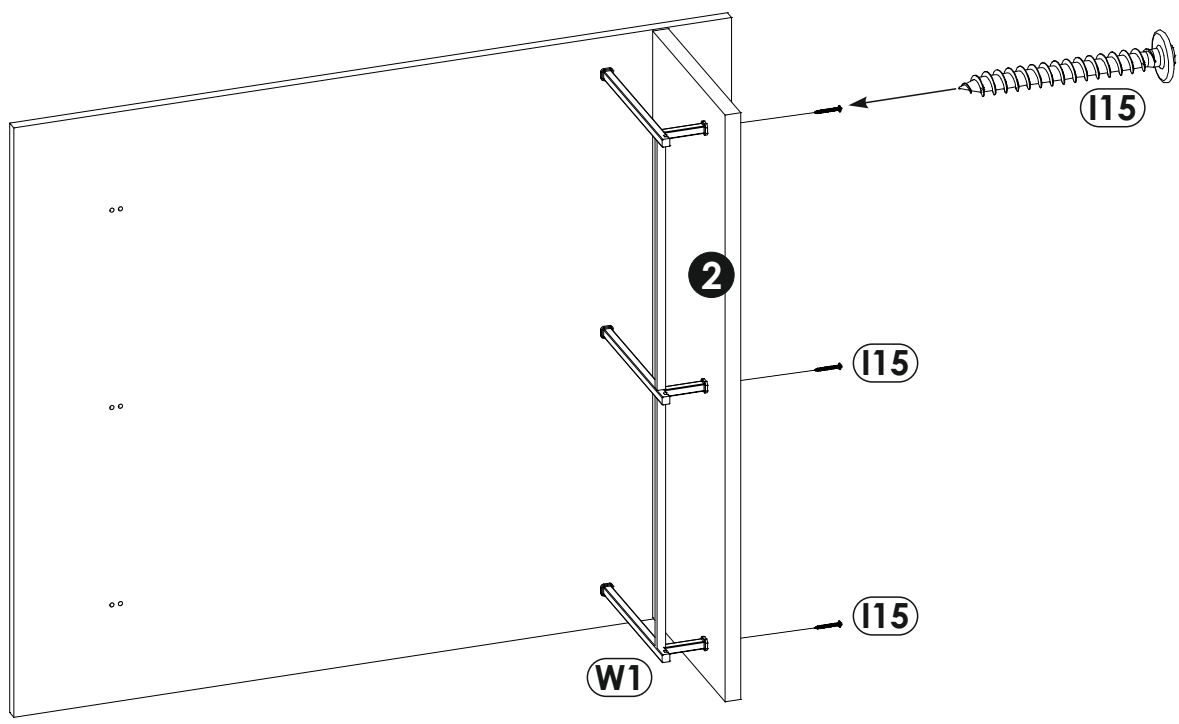
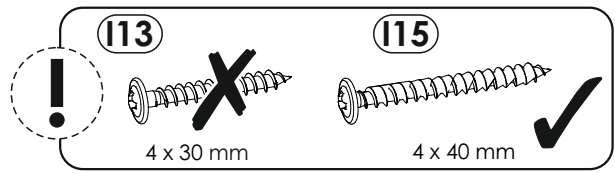
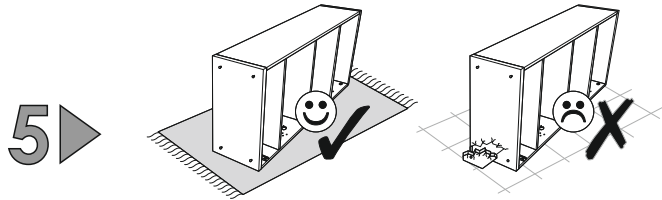




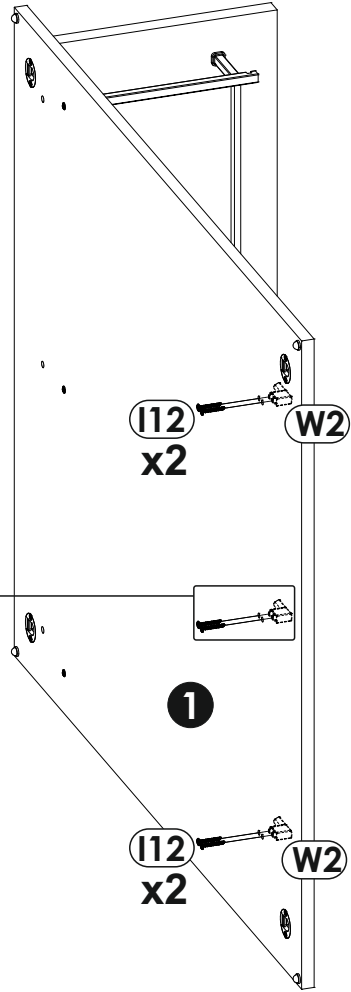
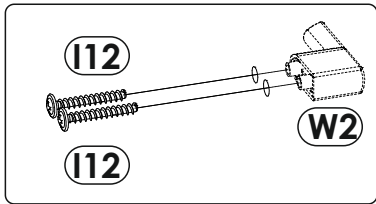
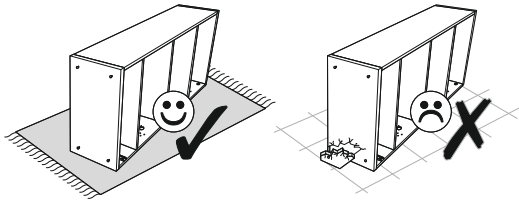
1	860	1010	16	x1	1/1
2	856	280	22	x1	1/1



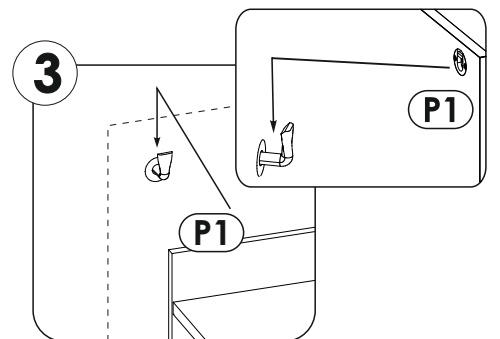
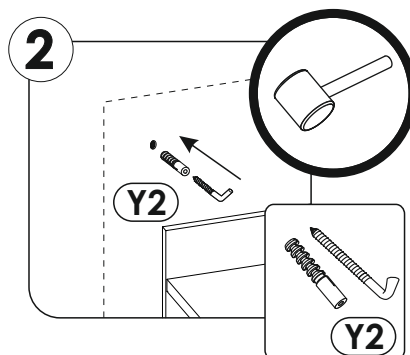
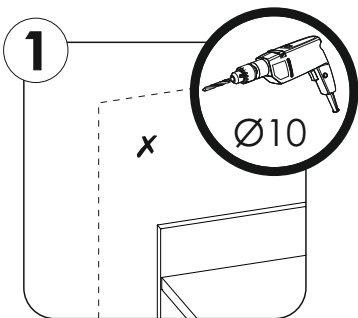
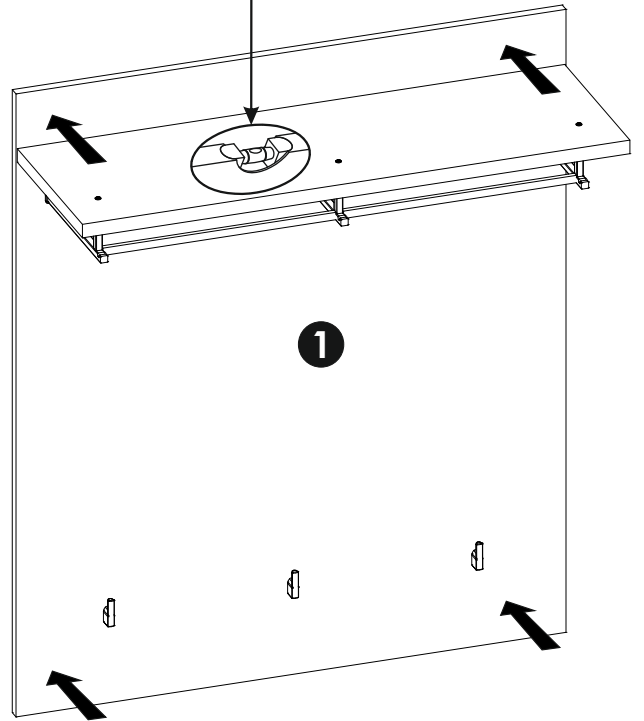
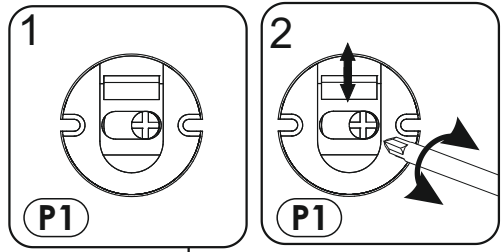
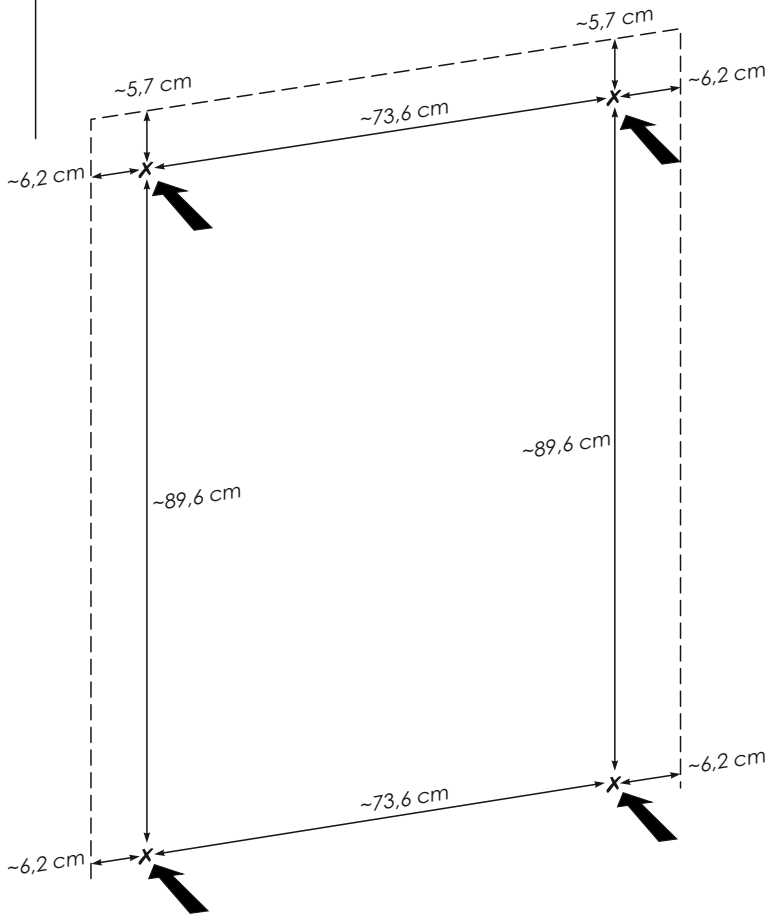
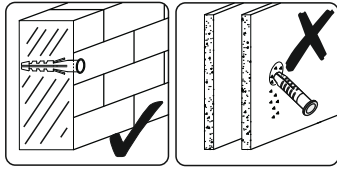
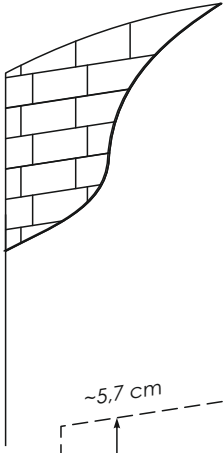




7 ▶



8 ▶



9 ▶

