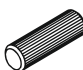

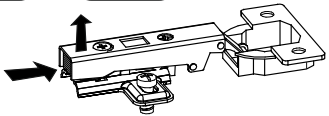
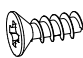
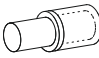
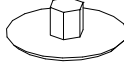

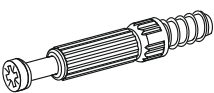



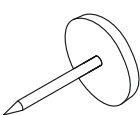
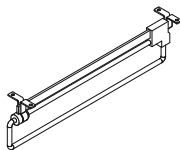
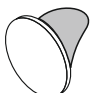
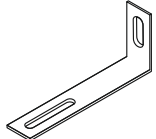
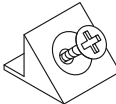
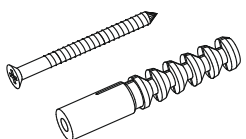
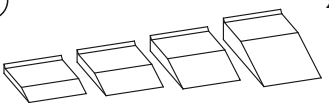
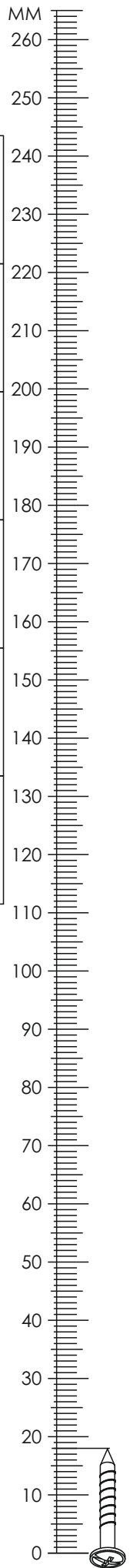
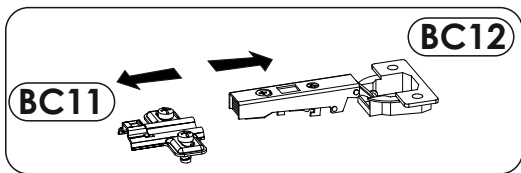
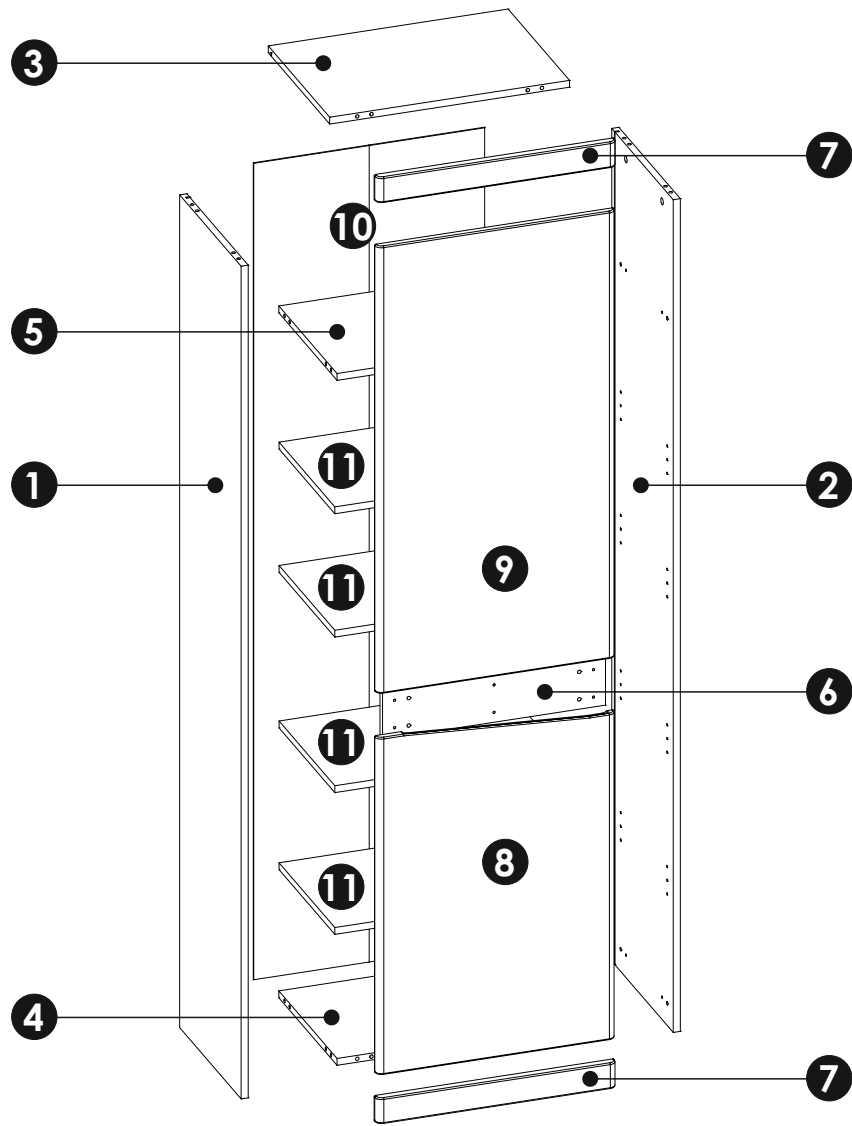
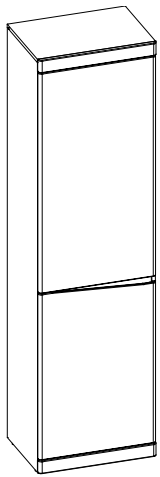


A1	8 x 35 mm	x16	A6	8 x 24 mm	x4	BC11 + BC12	x4	
								
C2	5 x 13 mm	x8	D2		x16	E0	Ø16	x10
								
E1	15 x 12 mm	x16	F1	6 x 34 mm	x16	I2	4 x 16 mm	x5
								
N1	3 x 16 mm	x10	N14	4 x 30 mm	x6	O2		x4
								
P7		x1	P16		x6	Q9		x1
								
R4		x11	S13		x1	Z		x1
								

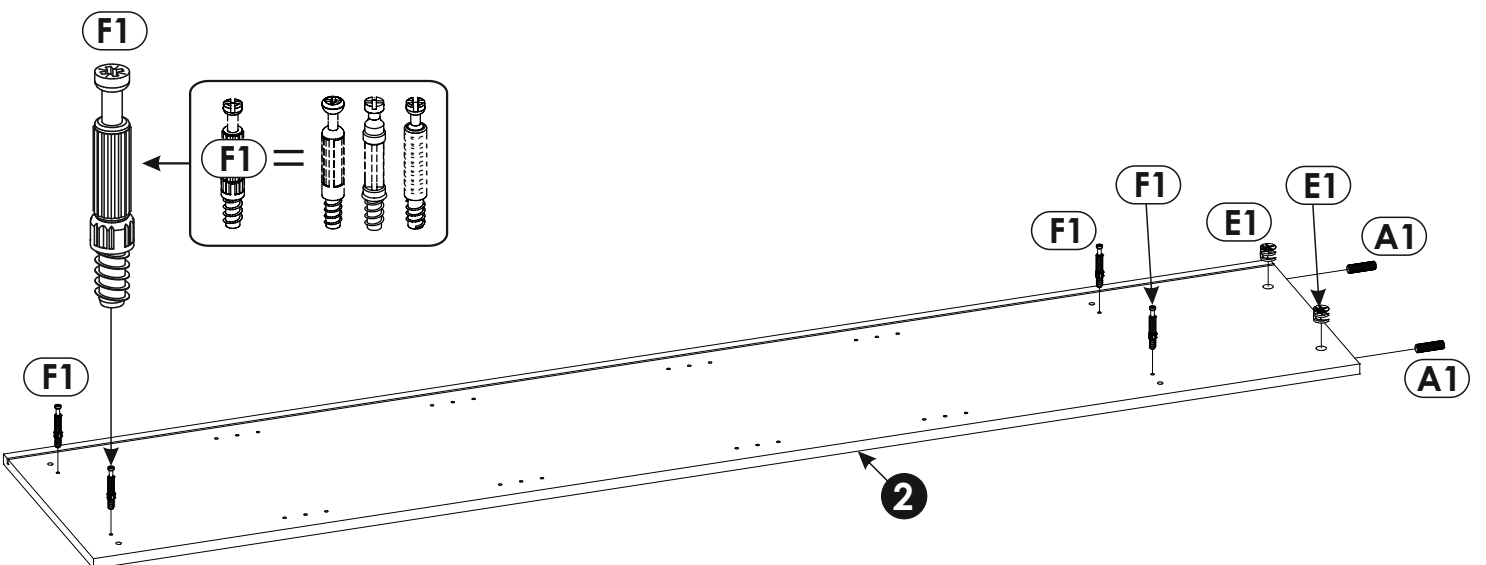
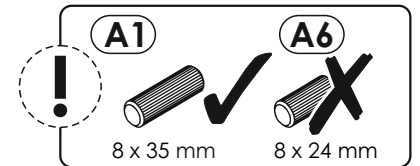
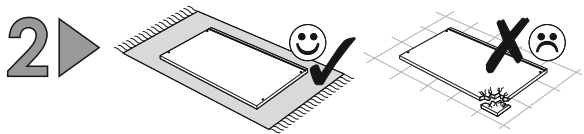
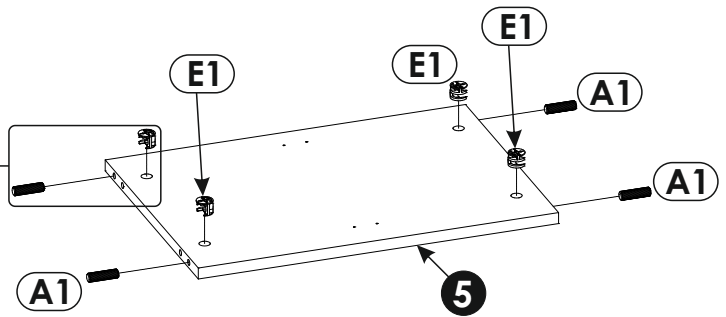
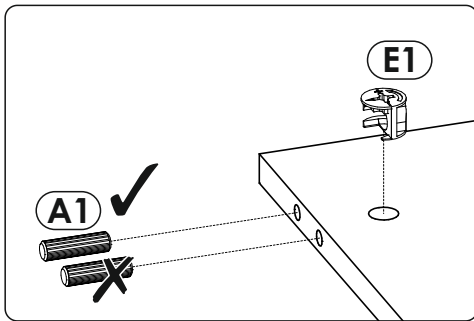
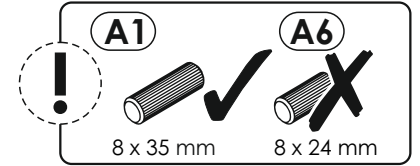
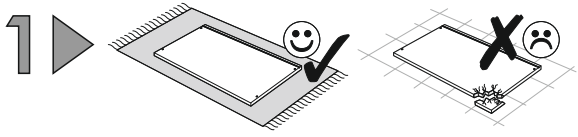
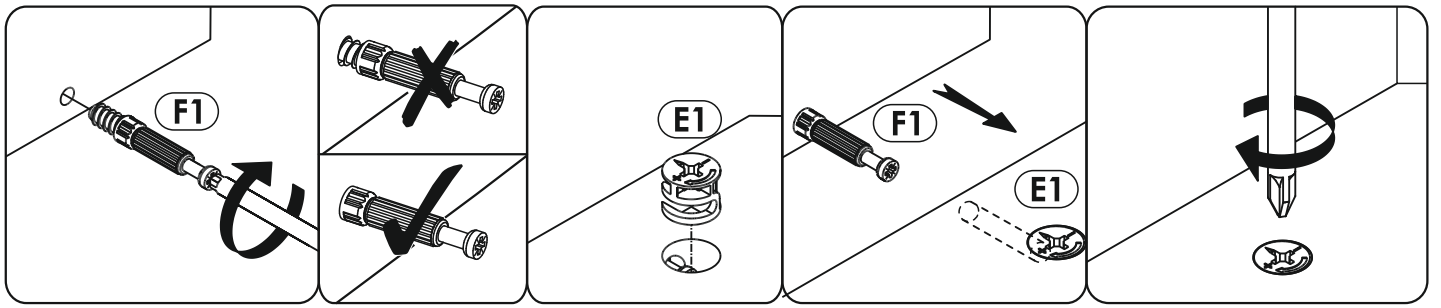


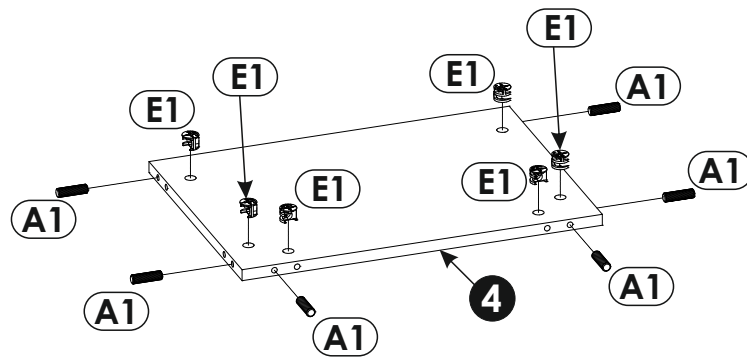
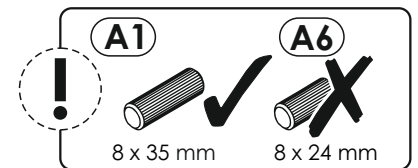
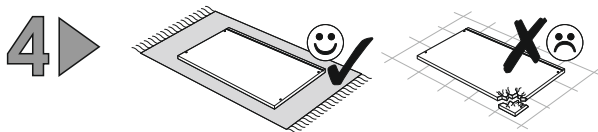
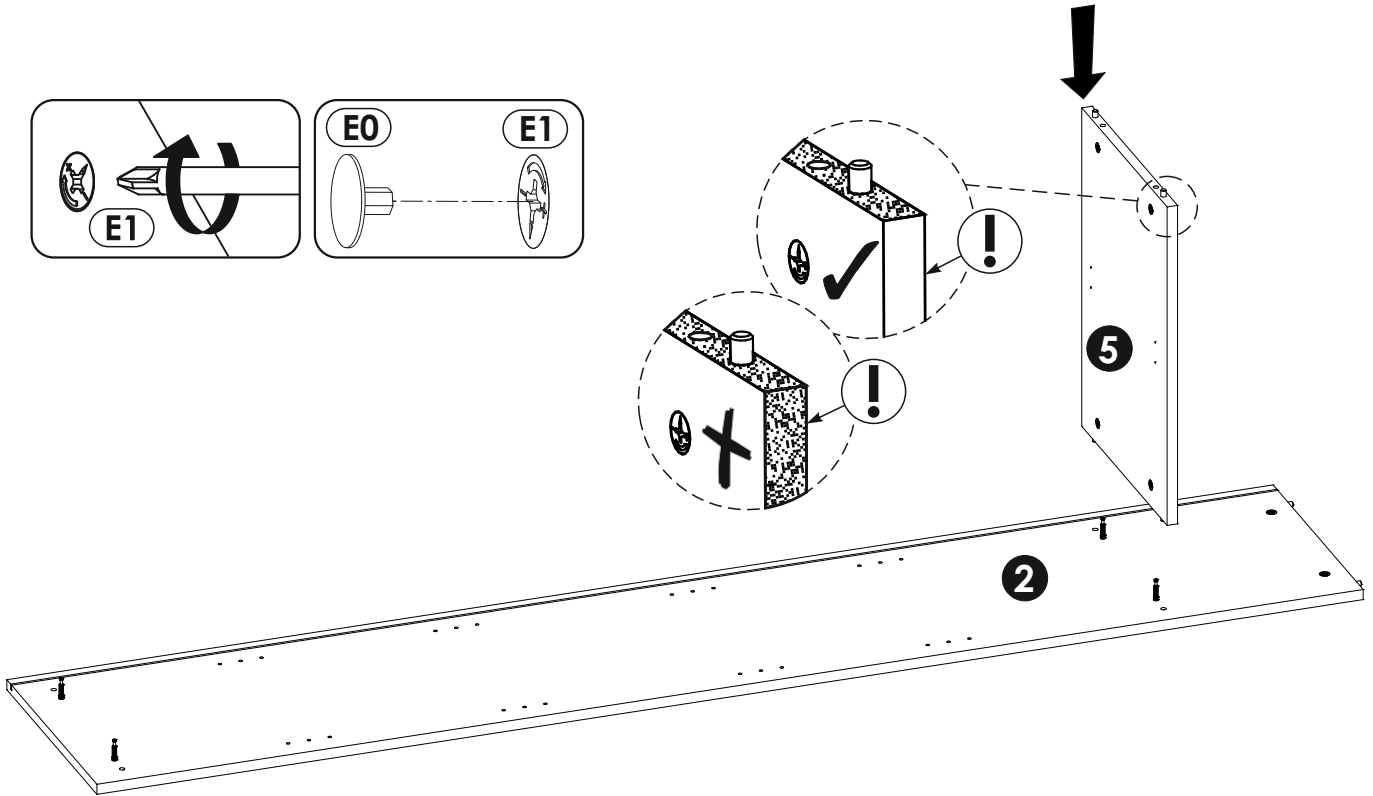
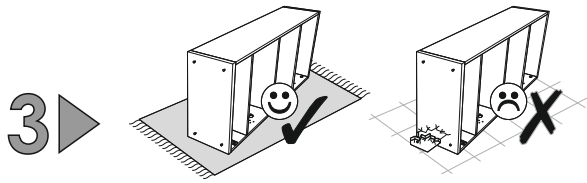


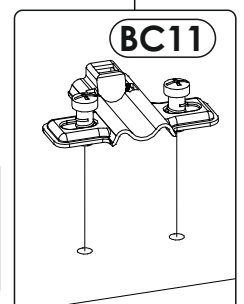
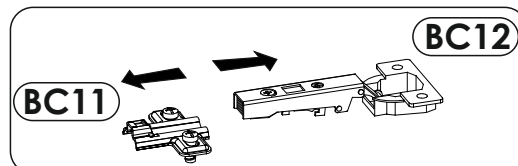
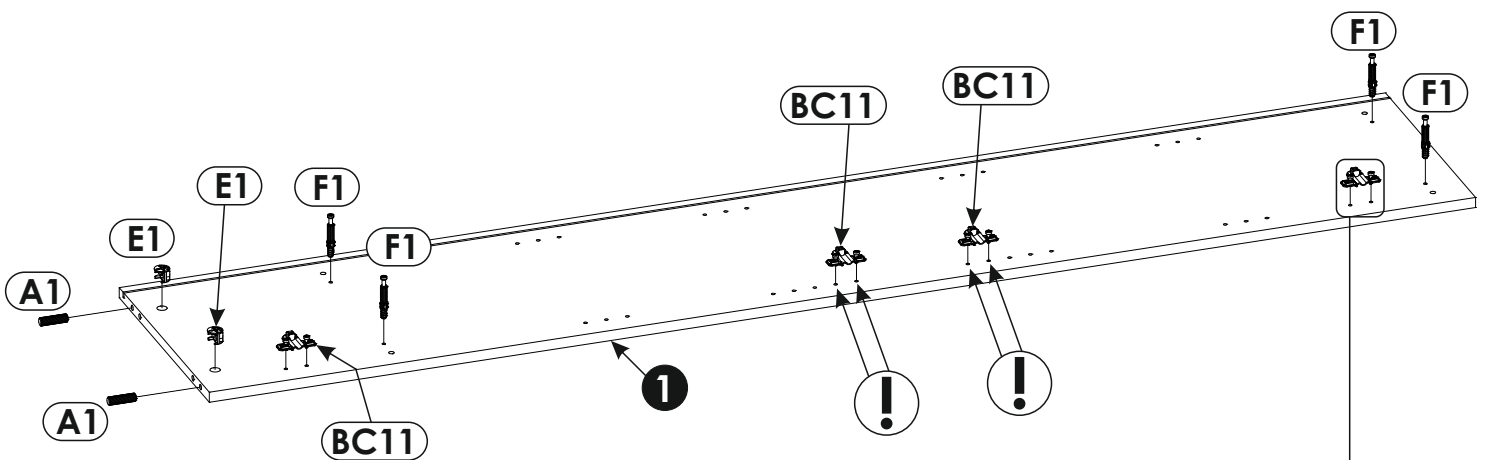
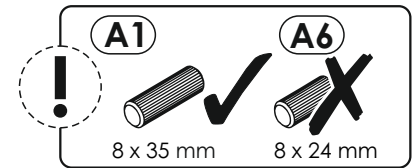
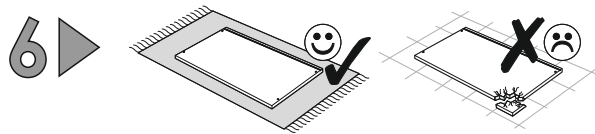
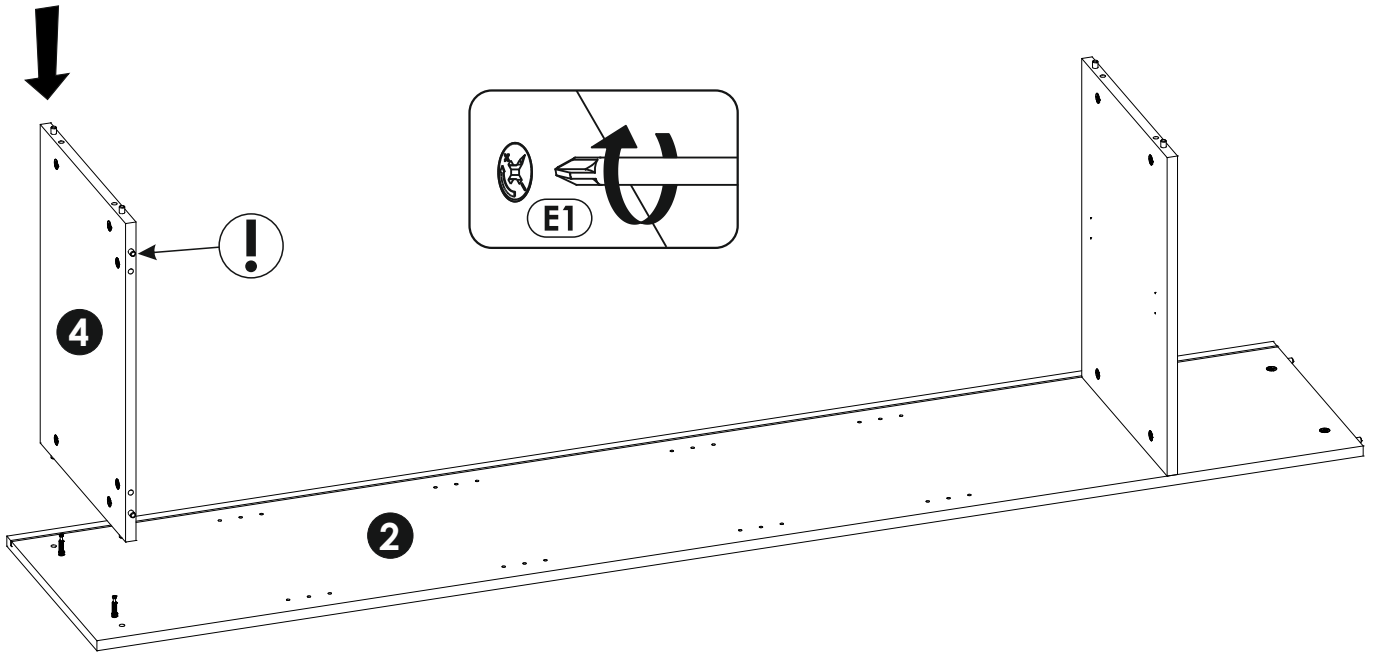
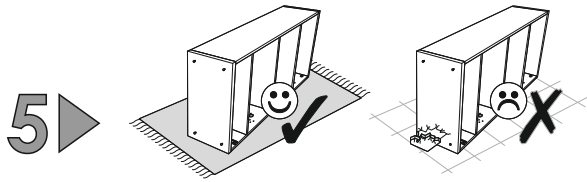
1	1944	380	16	x1	2/2
2	1944	380	16	x1	2/2
3	540	380	16	x1	2/2
4	507	360	16	x1	1/2

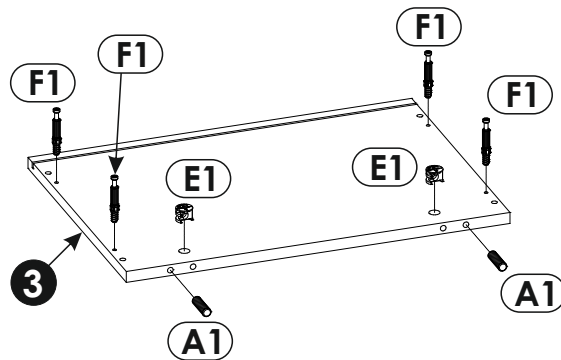
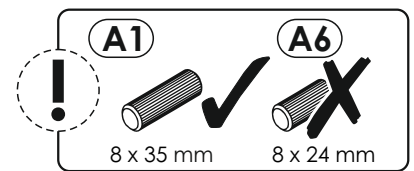
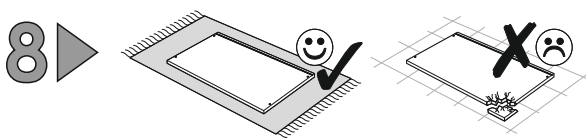
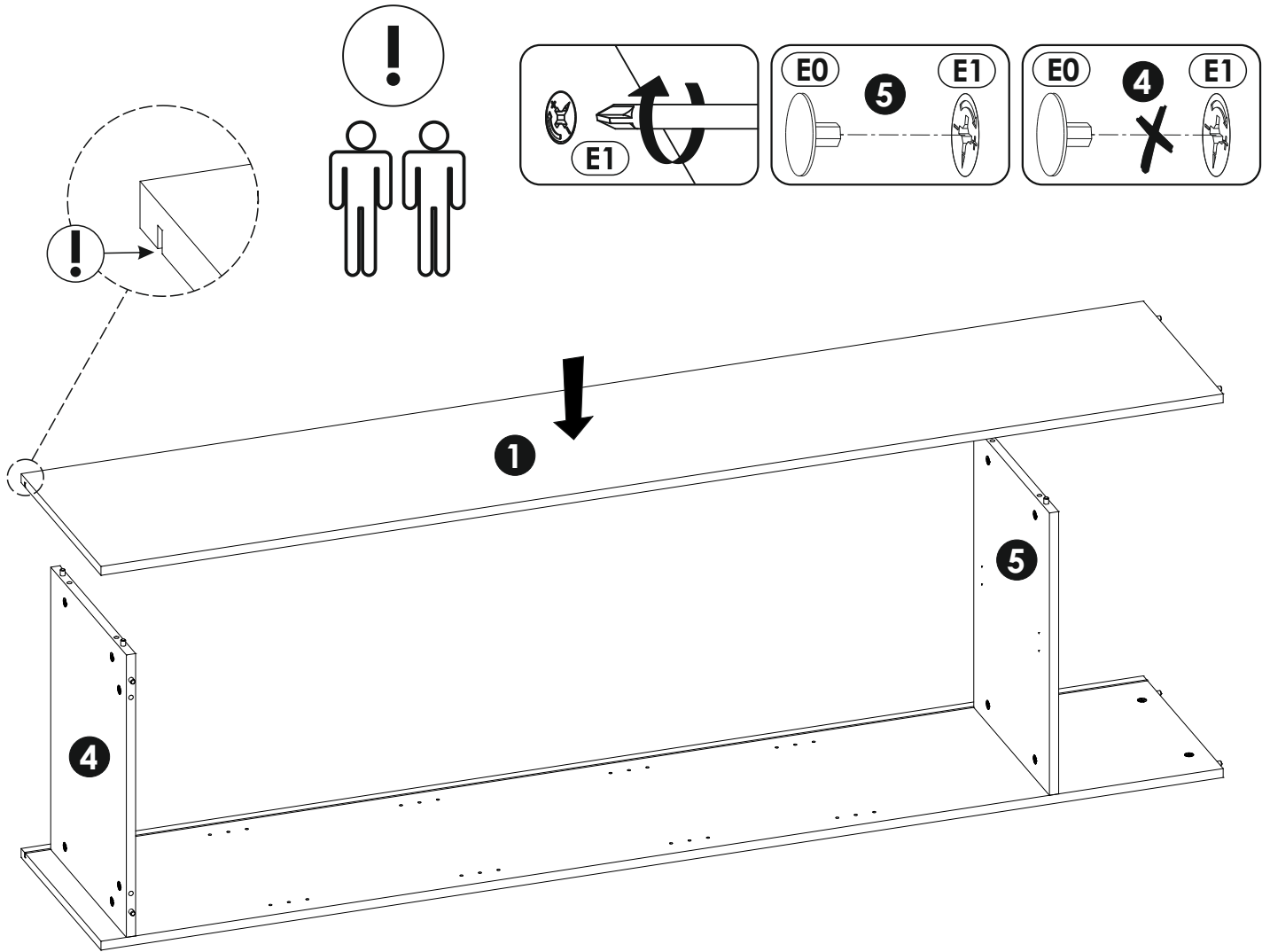
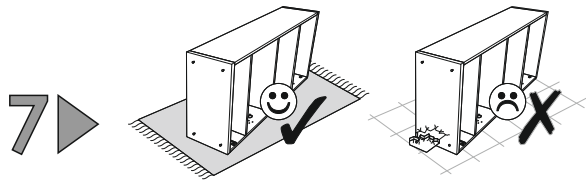
5	507	360	16	x1	1/2
6	502	110	16	x1	2/2
7	540	60	19	x2	2/2
8	538	787	16	x1	1/2

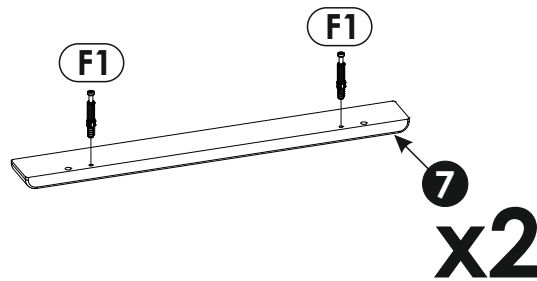
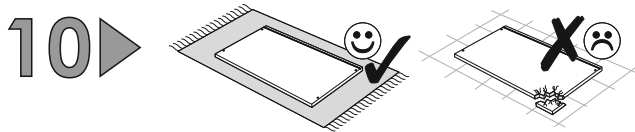
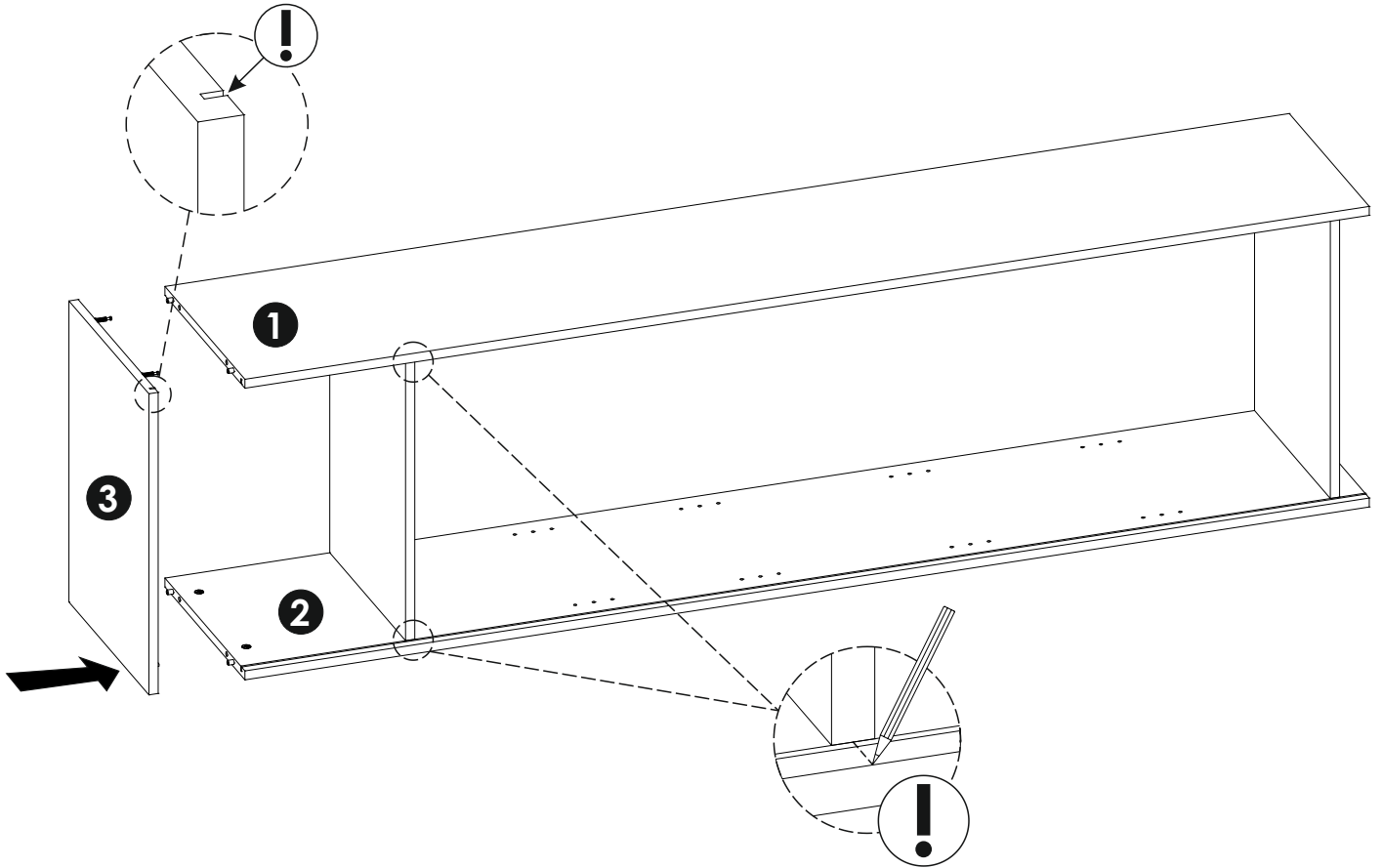
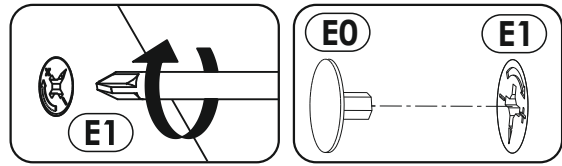
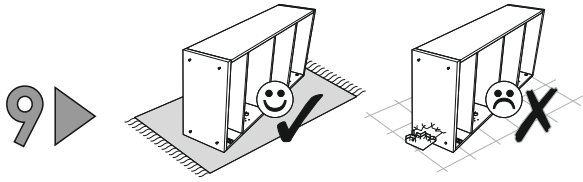
9	538	1044	16	x1	1/2
10	1906	520	3	x1	2/2
11	506	345	16	x4	1/2

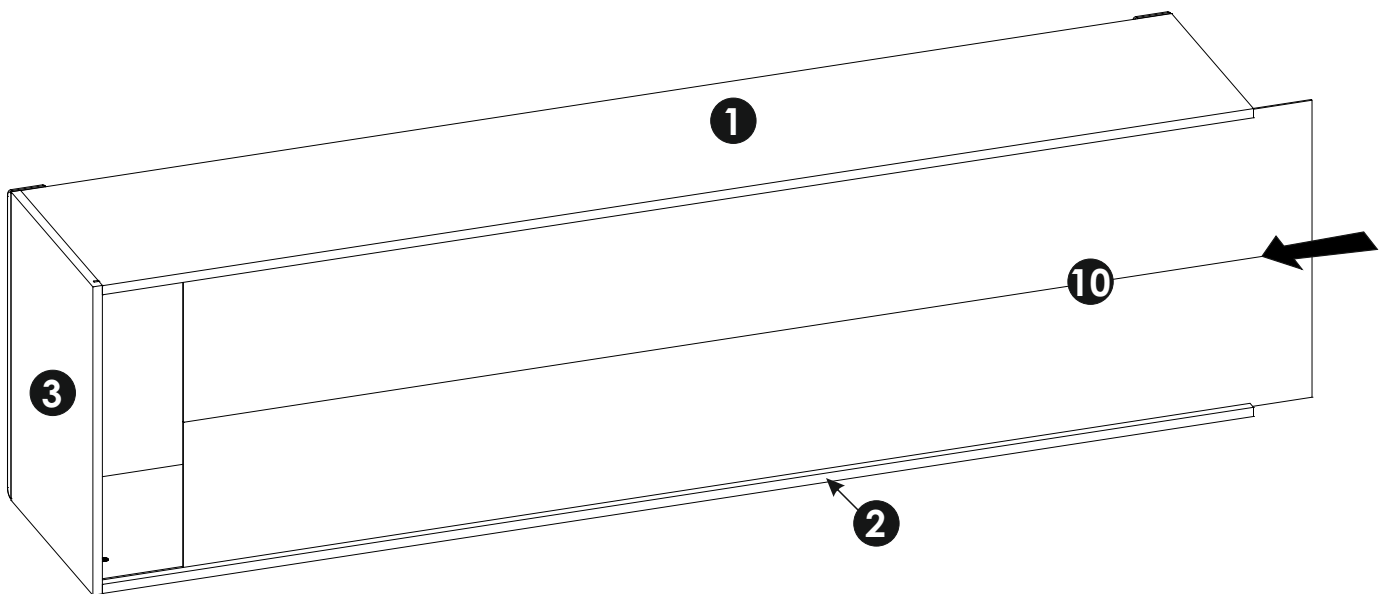
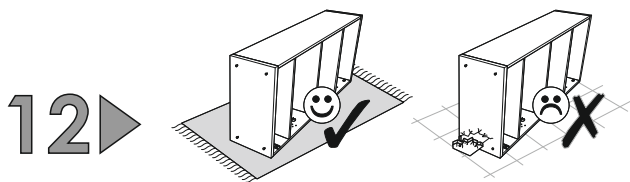
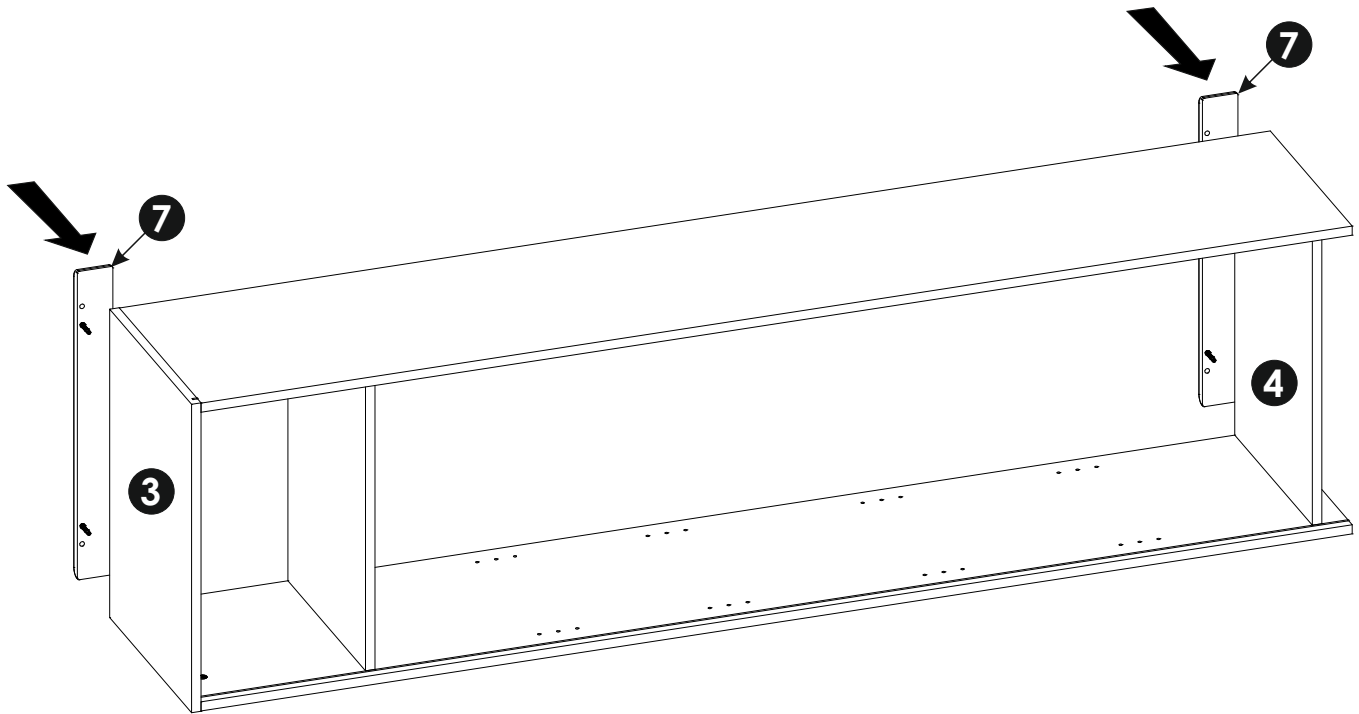
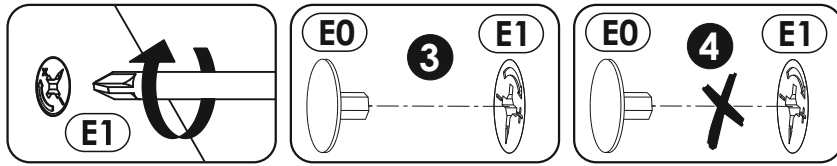
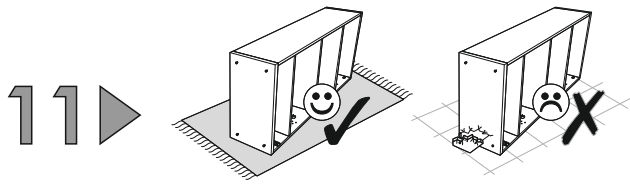




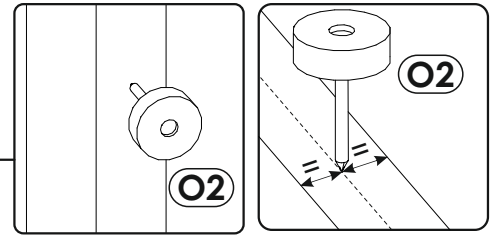
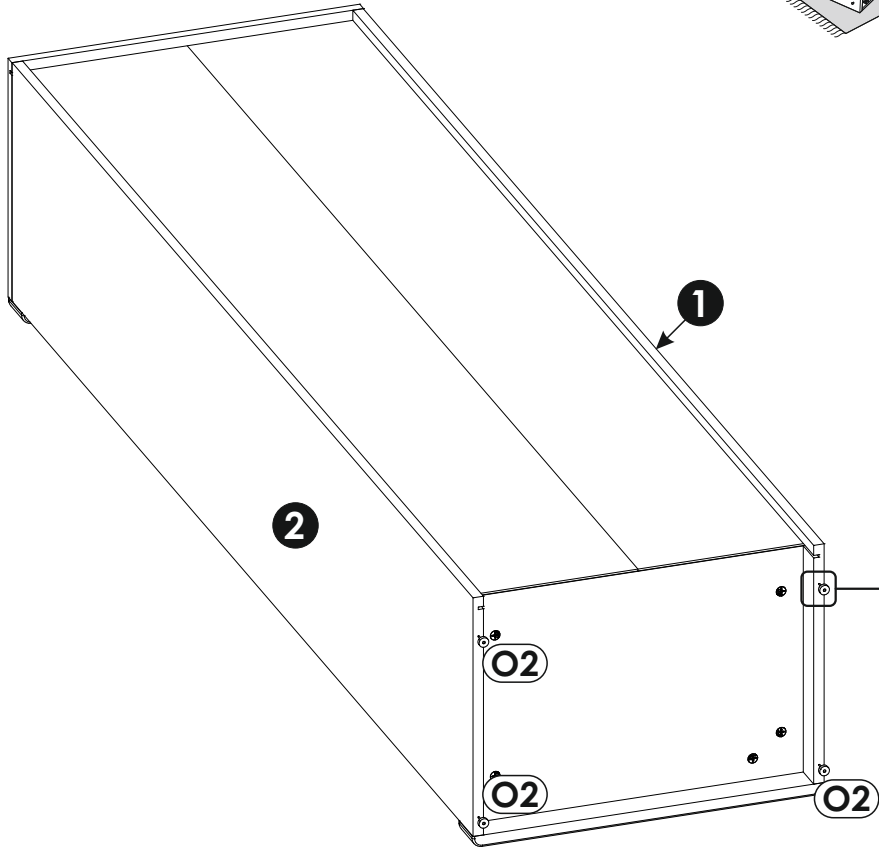
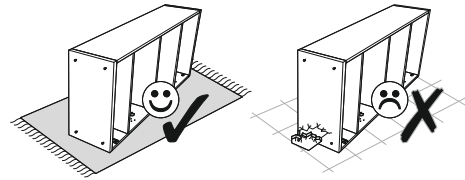




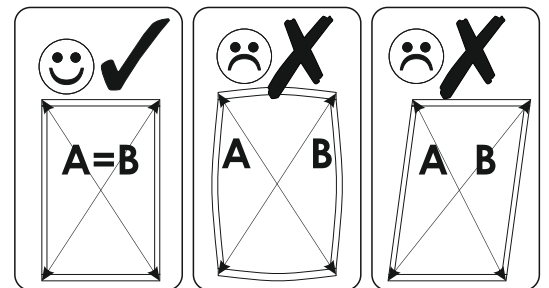
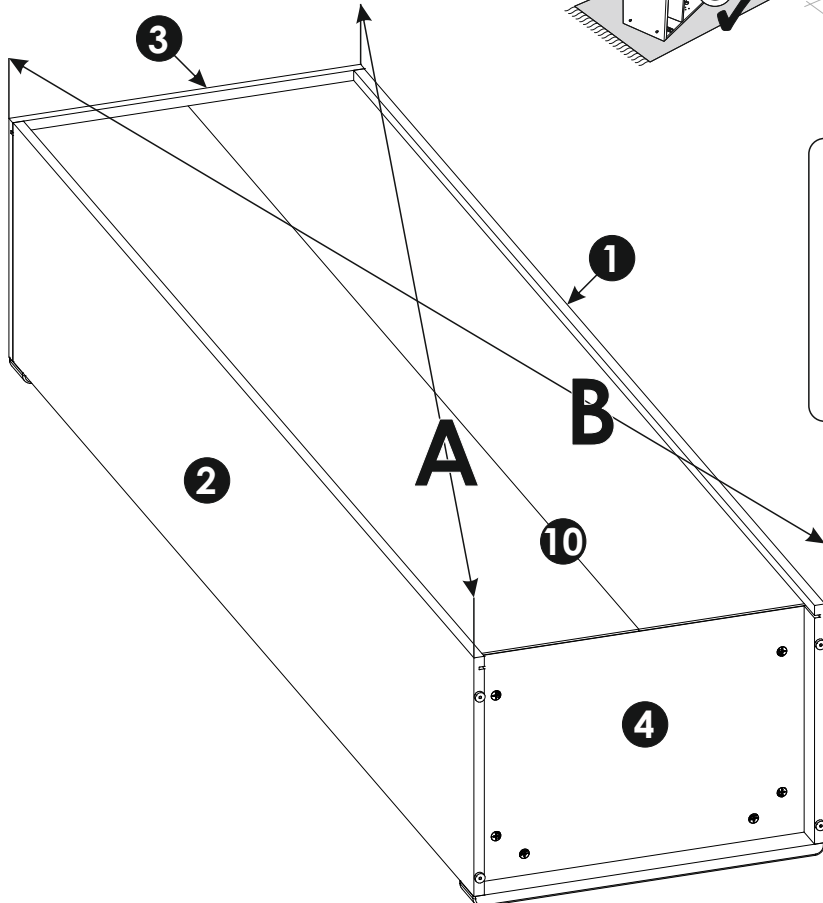
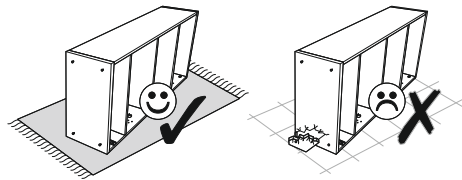




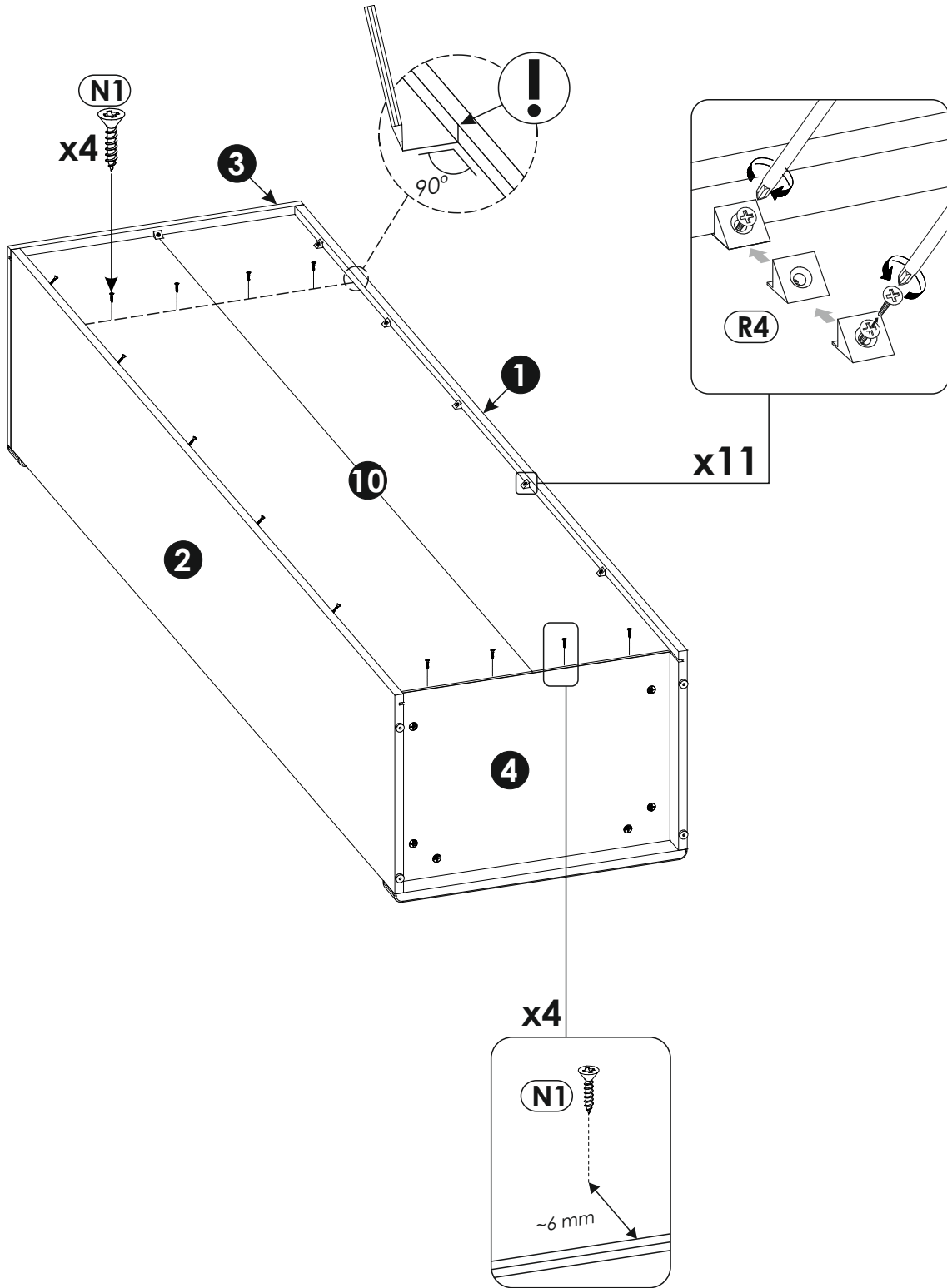
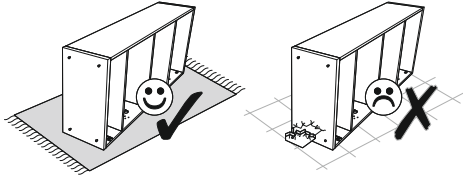
13▶

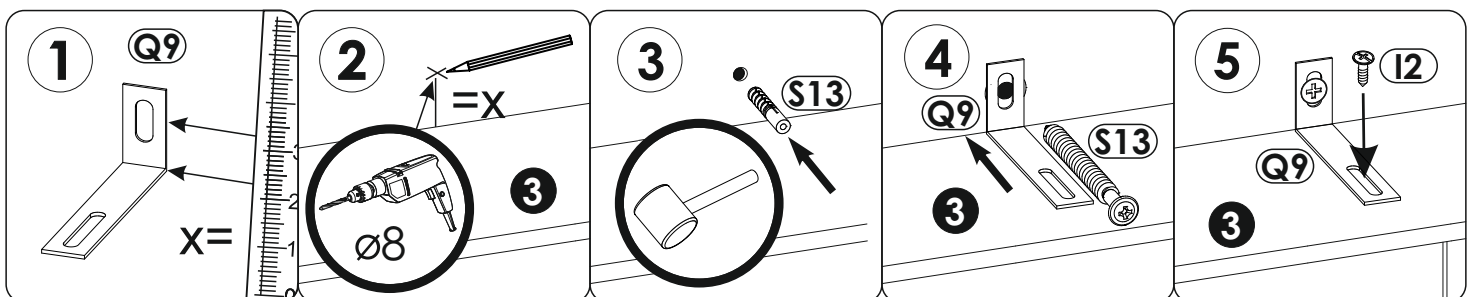
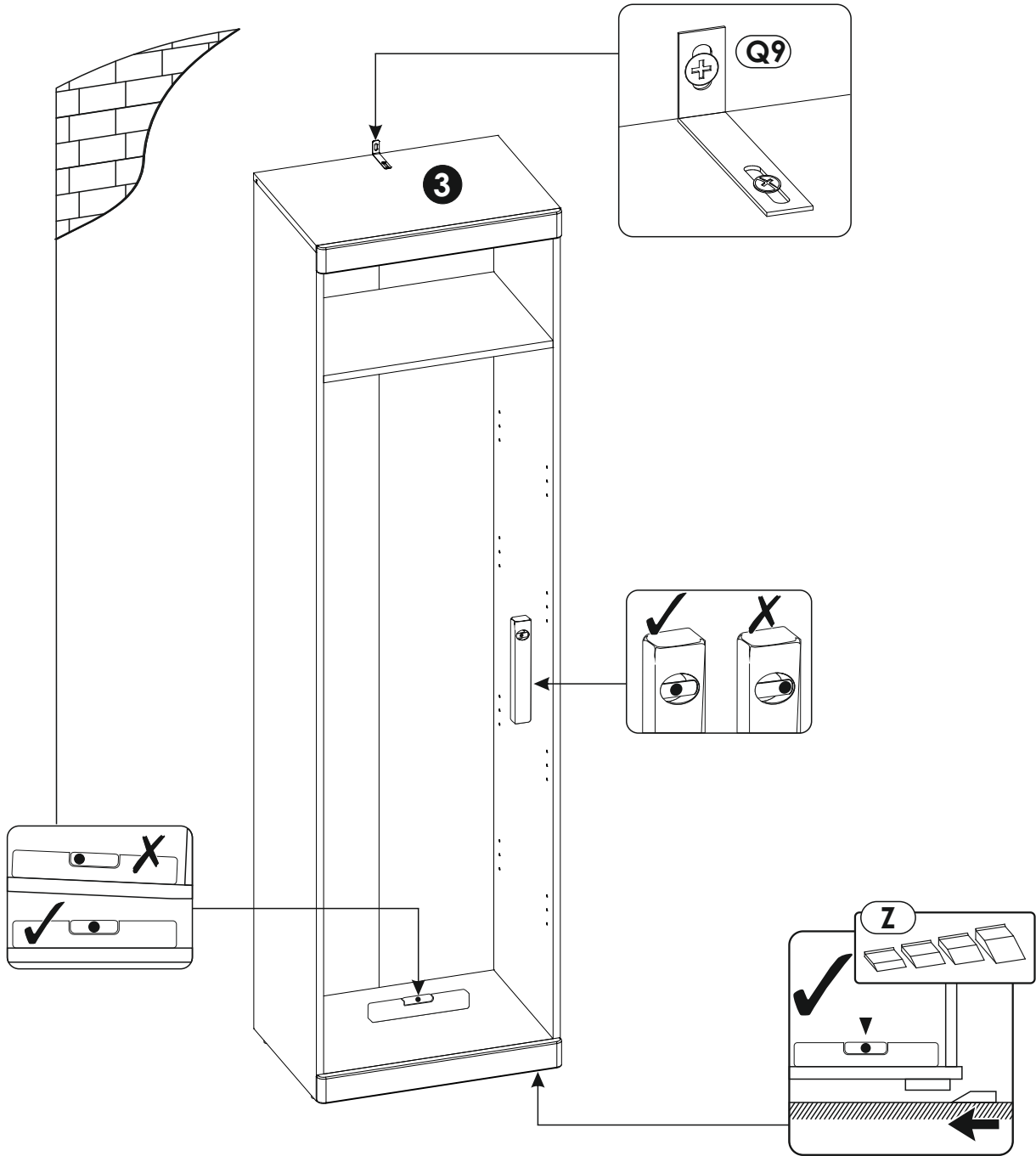
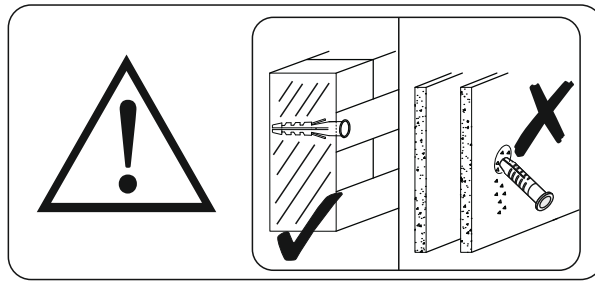


14▶

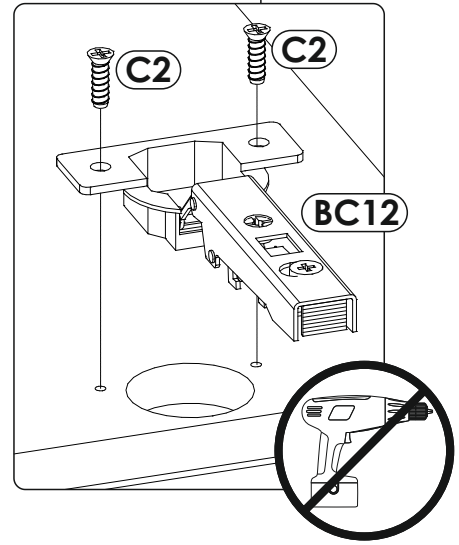
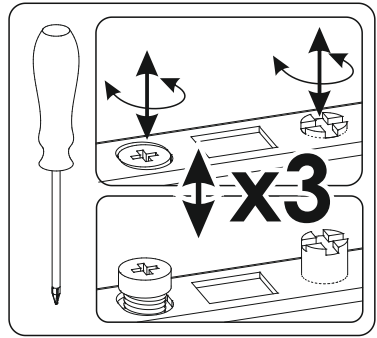
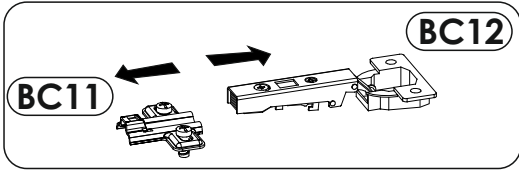
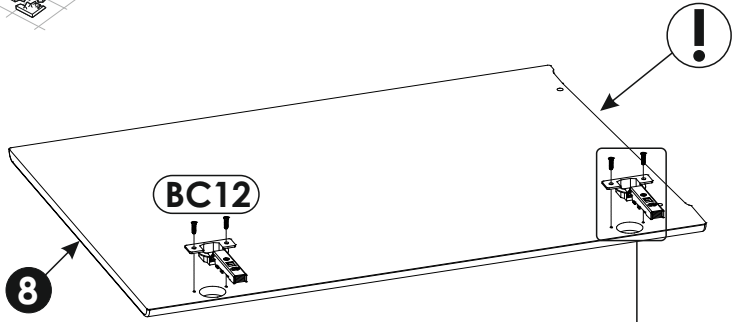
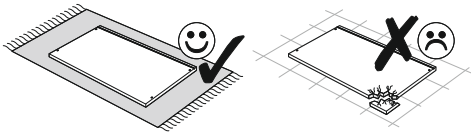


15 ▶

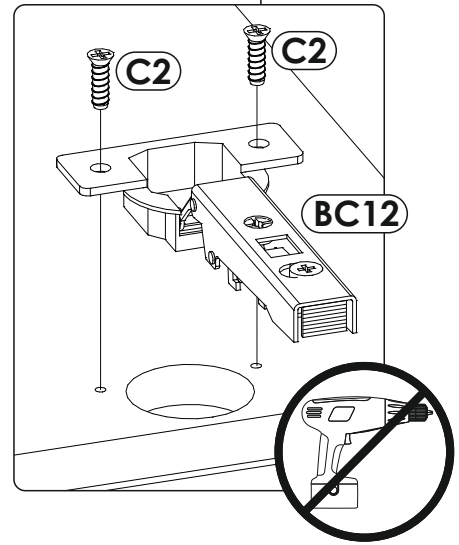
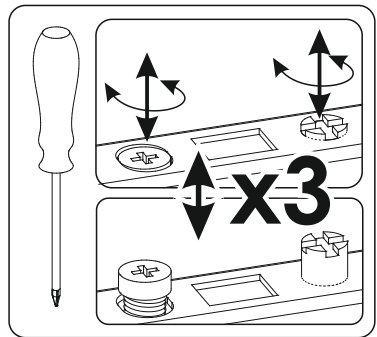
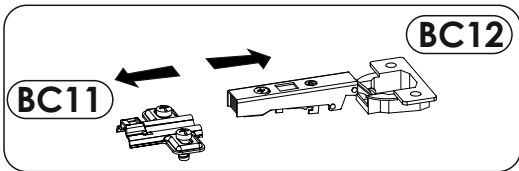
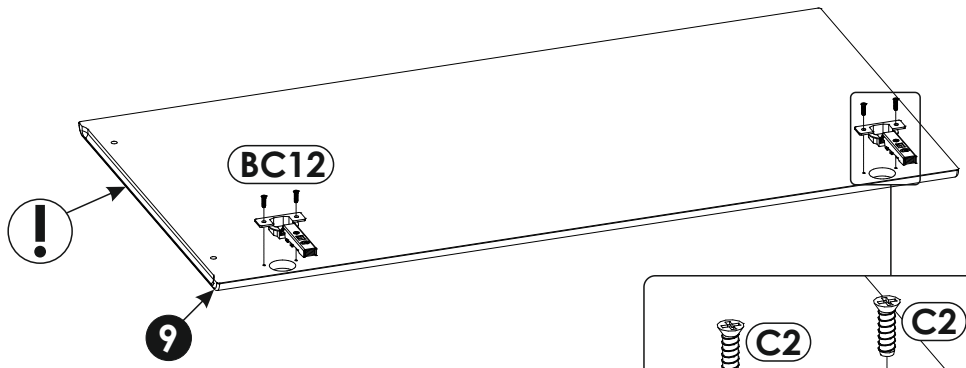
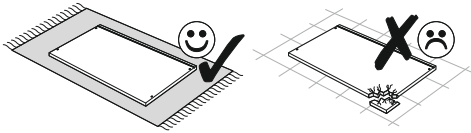


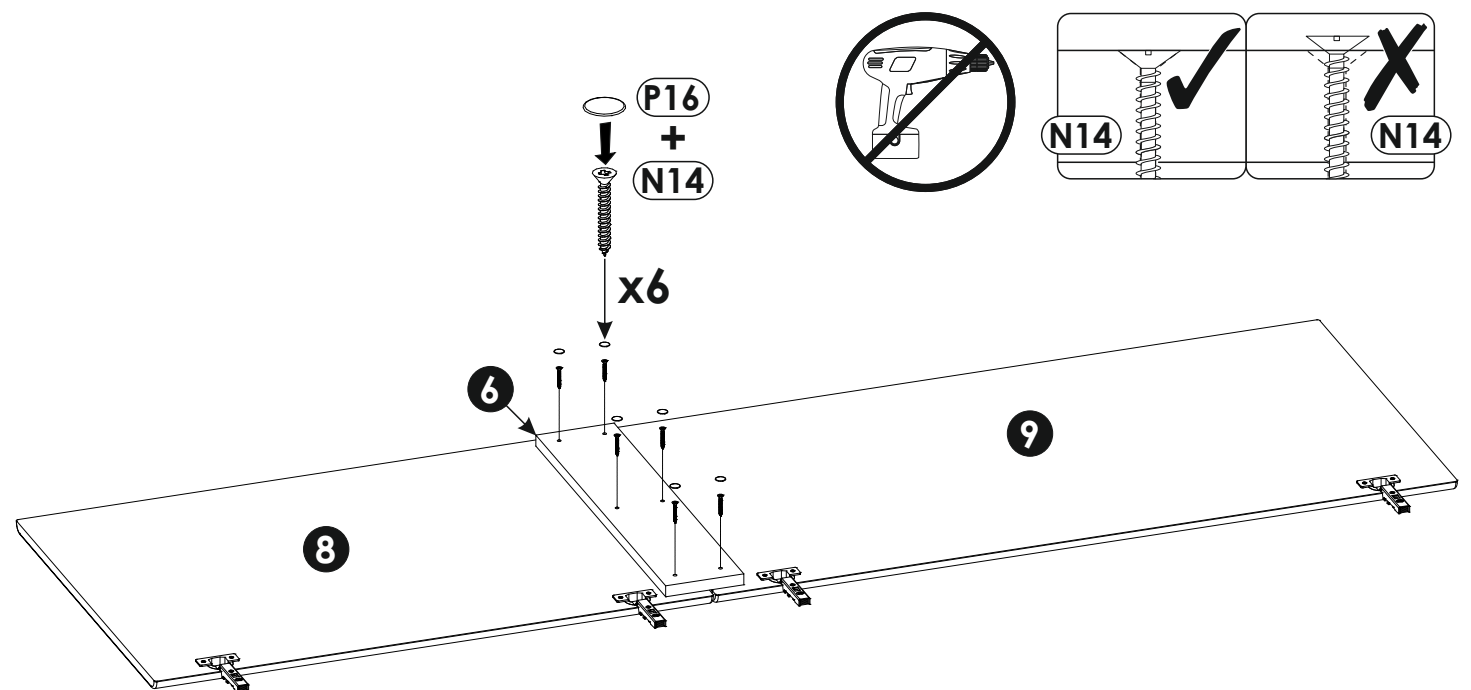
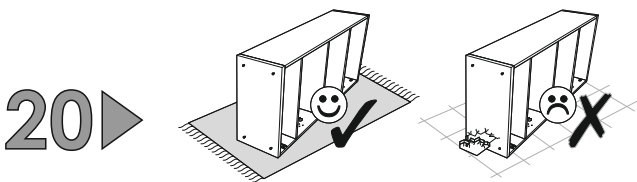
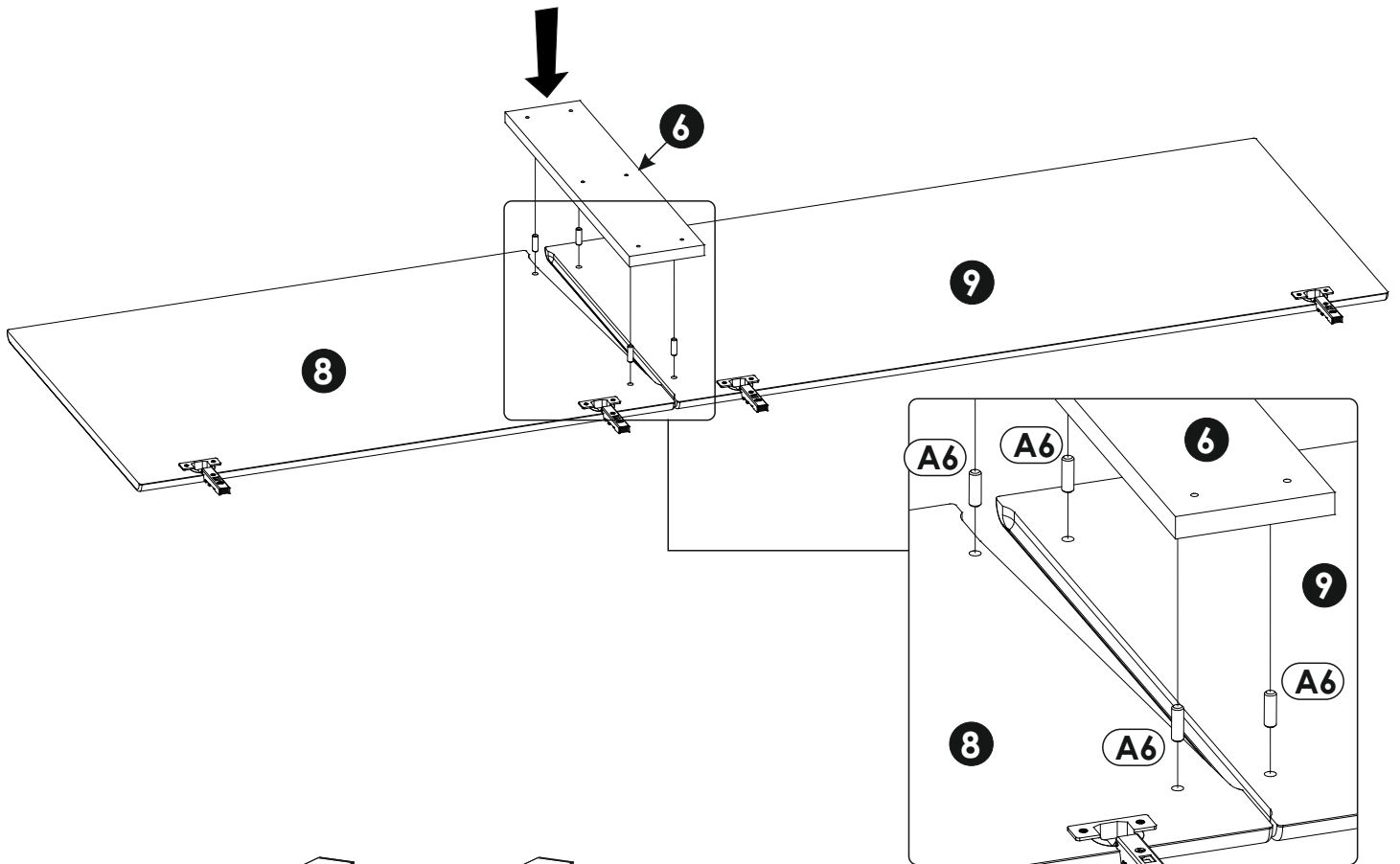
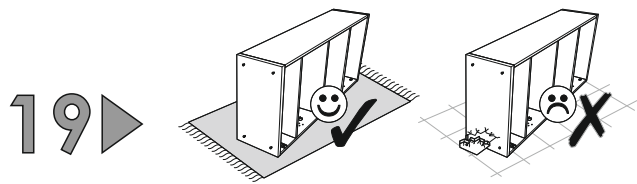


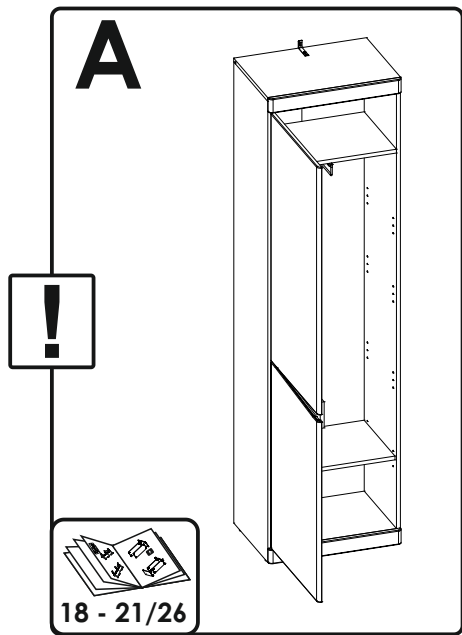
17 ▶



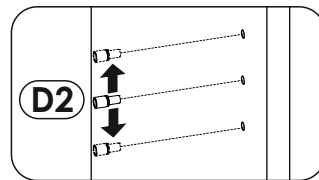
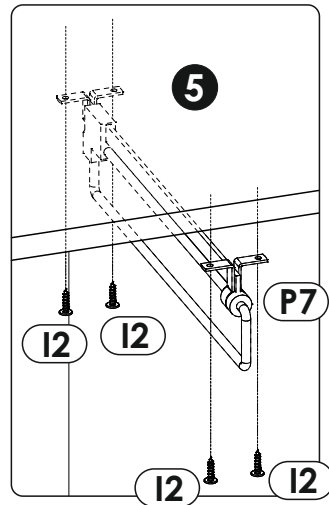
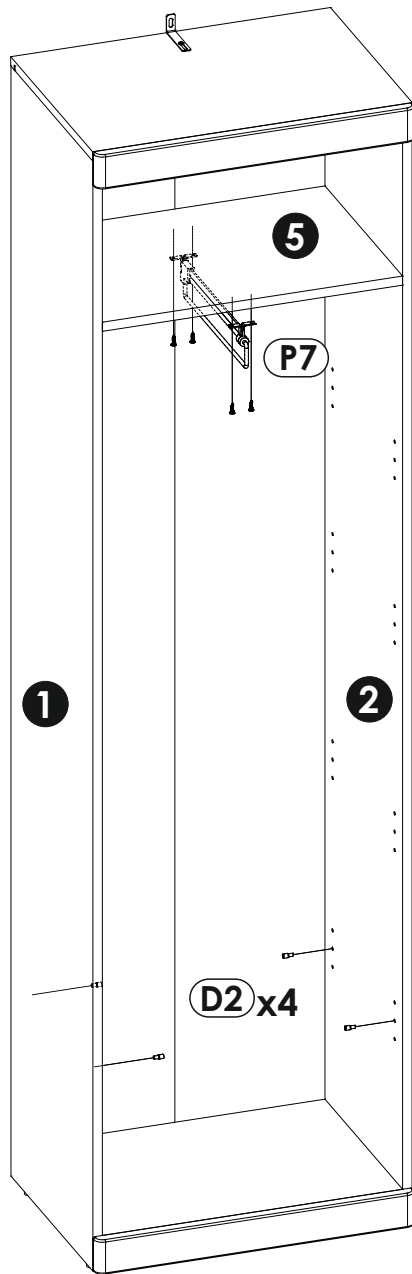
18 ▶



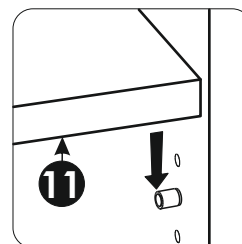
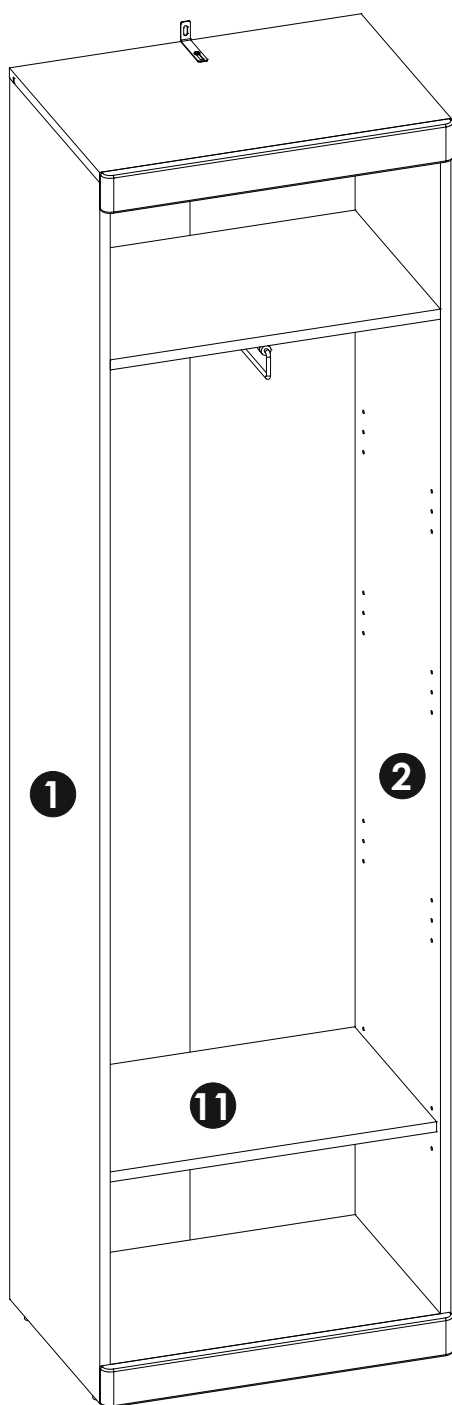




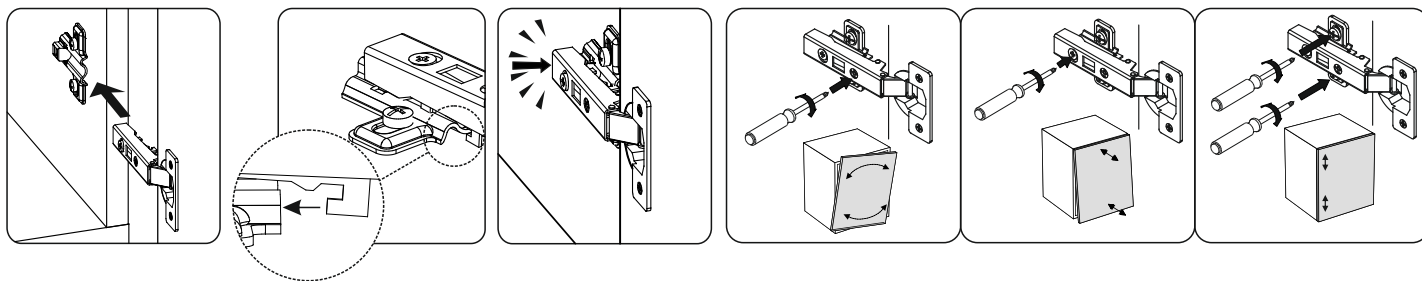
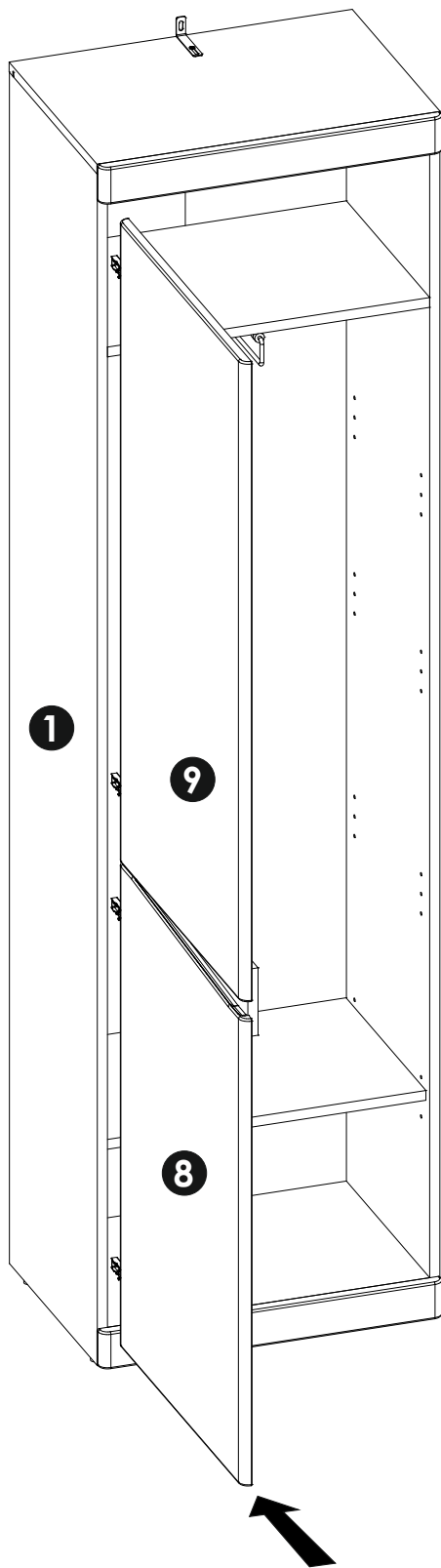
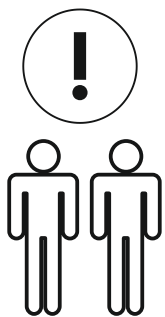
21 ▶



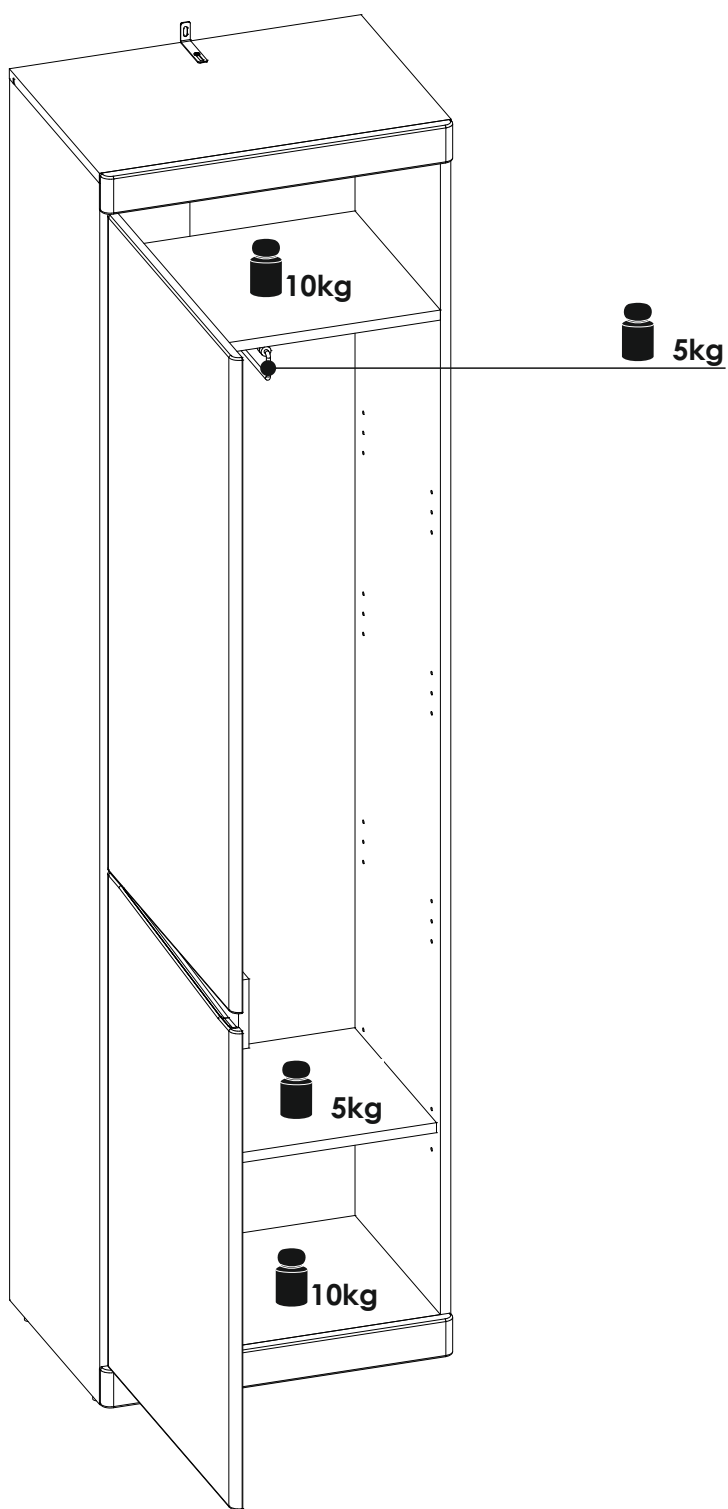
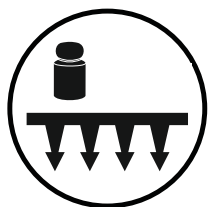
22 ▶

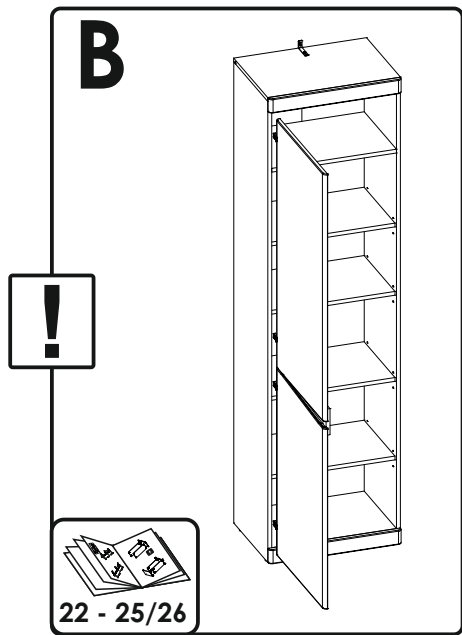


23 ▶

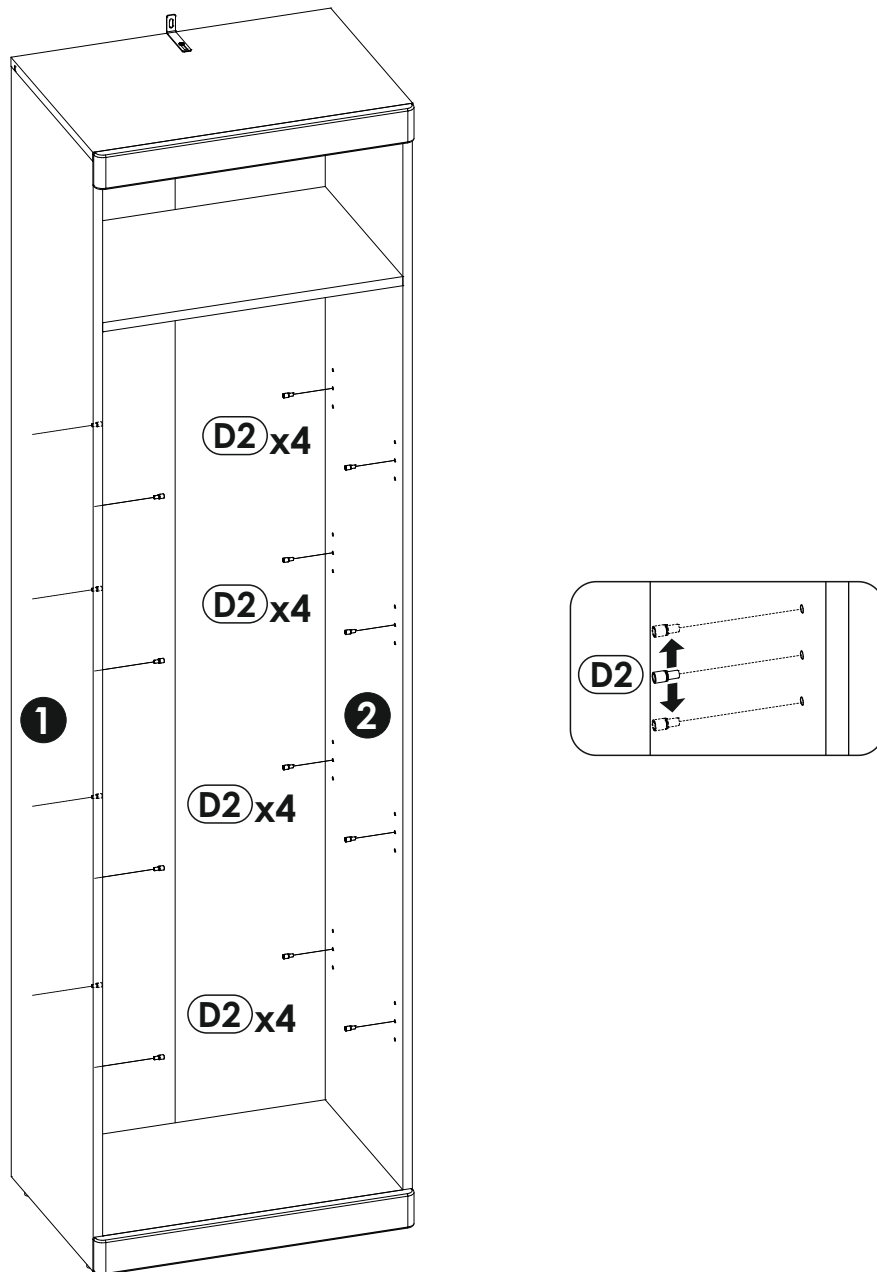


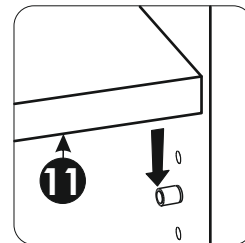
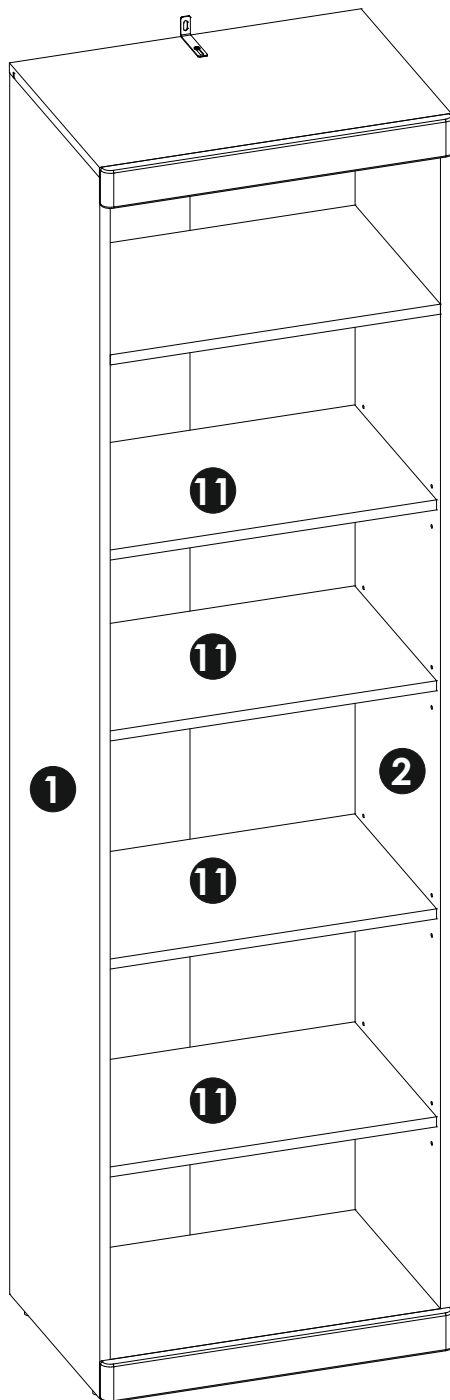
24▶

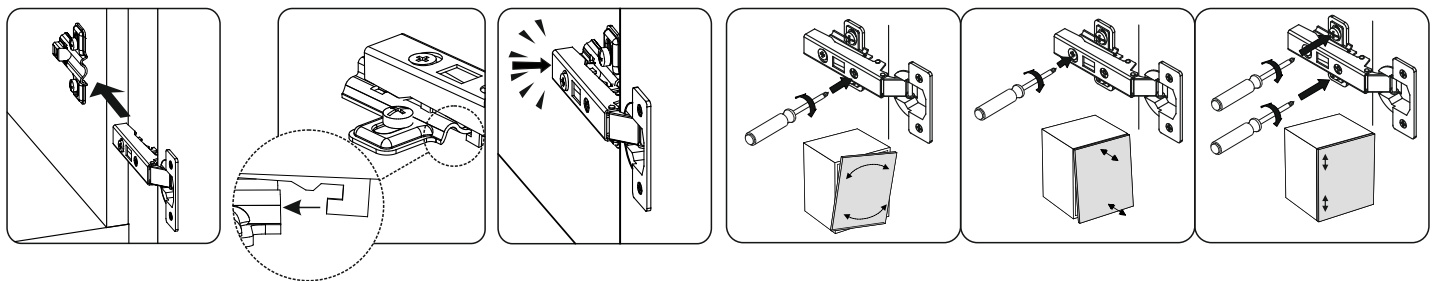
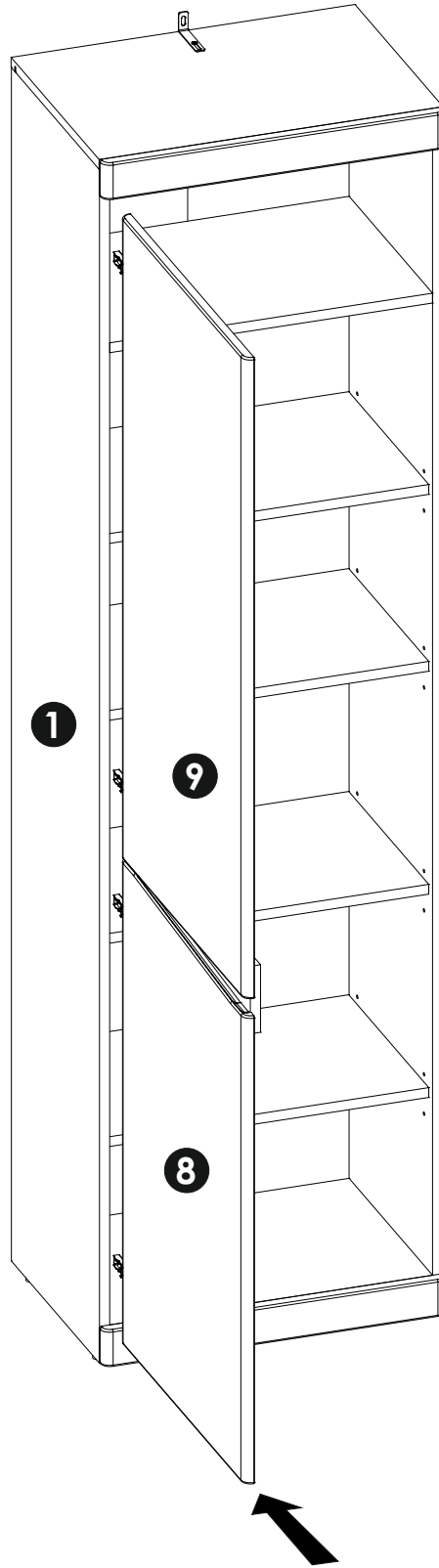
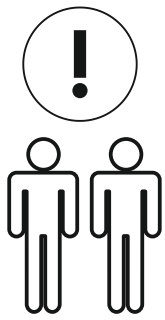




25▶







28 ▶

