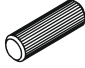


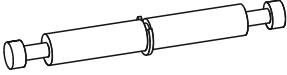

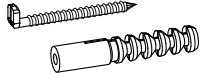
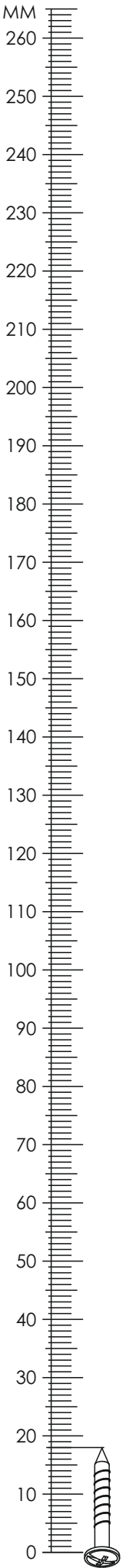
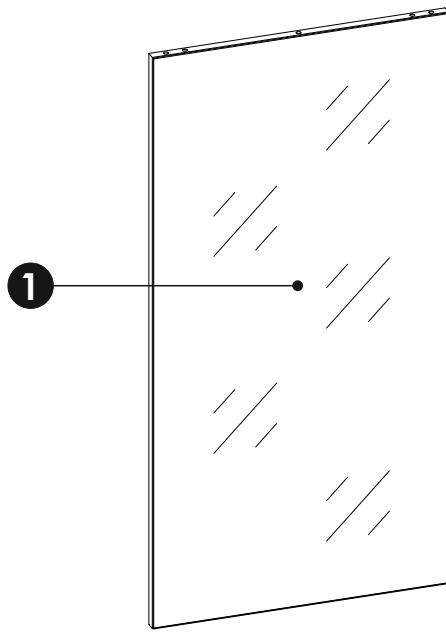
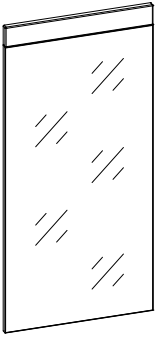
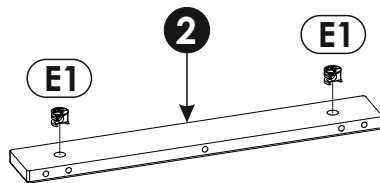
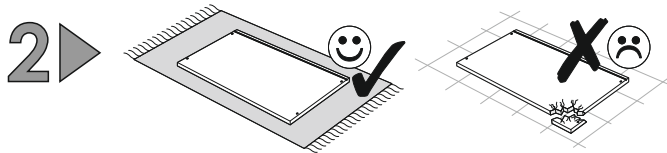
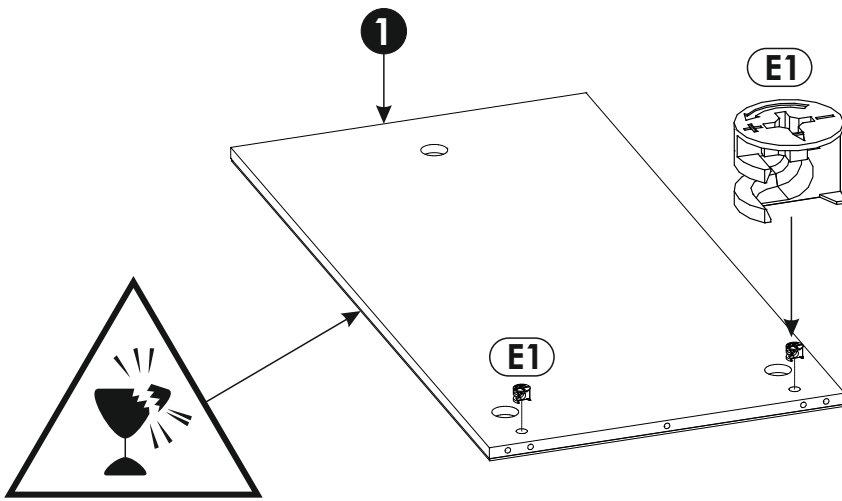
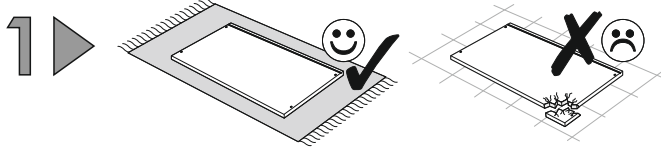


A1 8 x 35 mm x3 	C2 5 x 13 mm x6 	E1 15 x 12 mm x4 
F3 7 x 64 mm x2 	P1 x3 	Y2 x3 

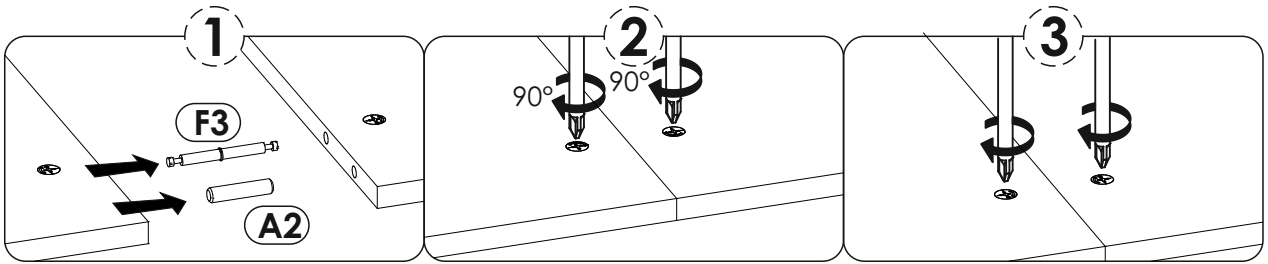
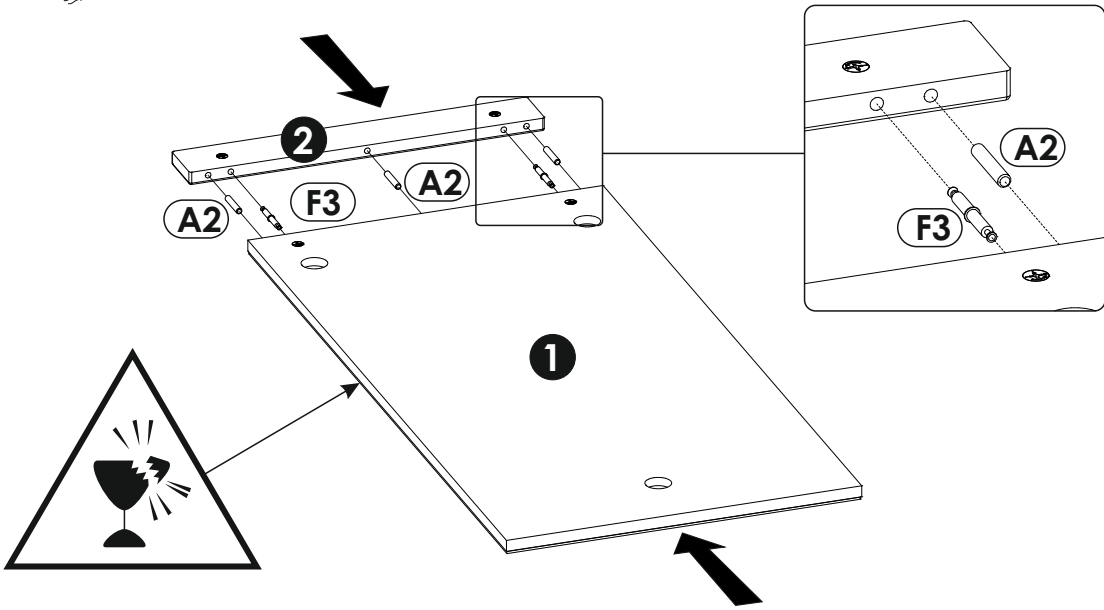
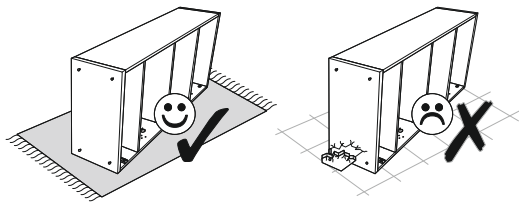




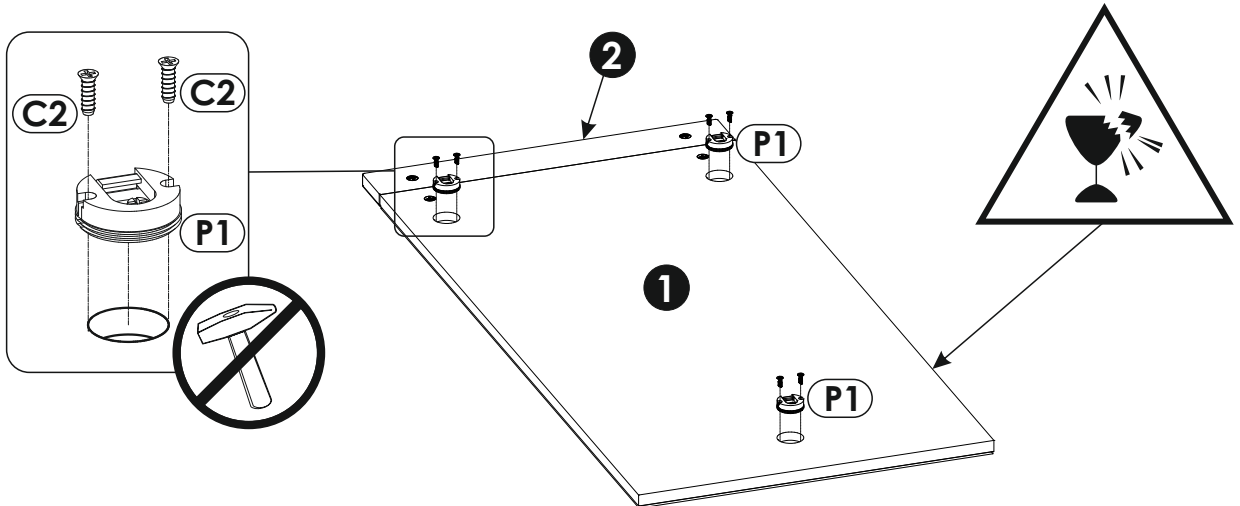
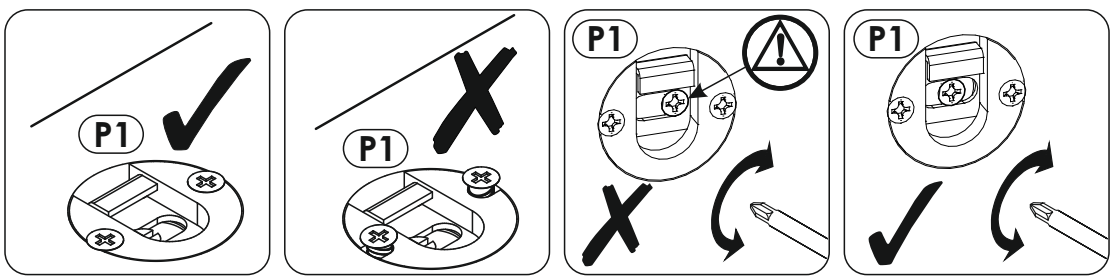
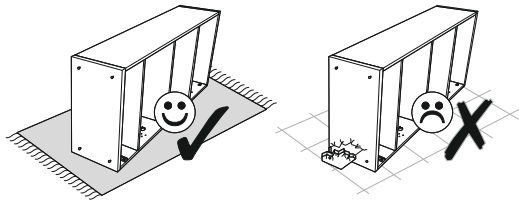
1	500	1000	16	x1	1/1
2	500	70	19	x1	1/1



3 ▶



4 ▶



5 ▶

