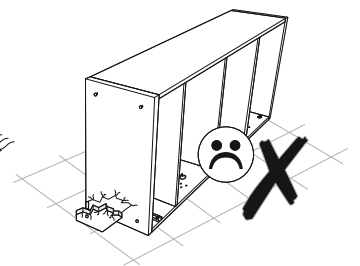
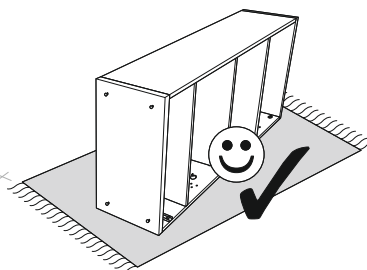
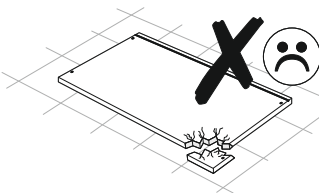
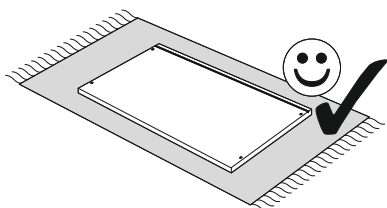
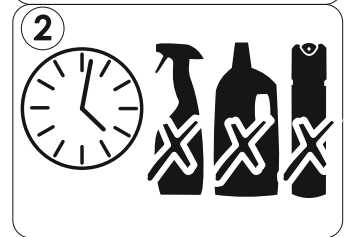
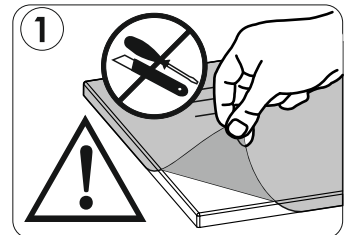
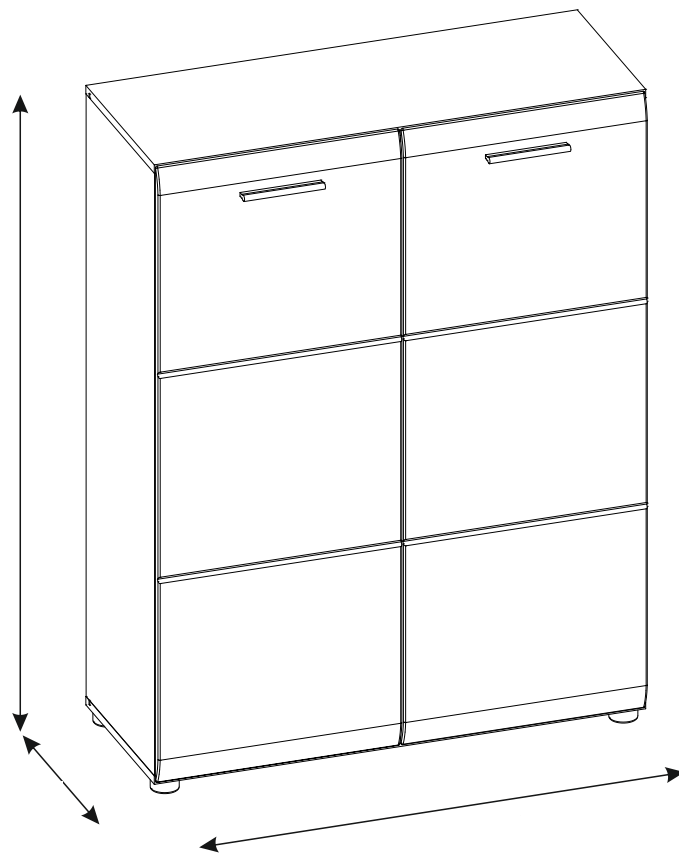
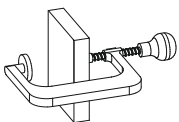
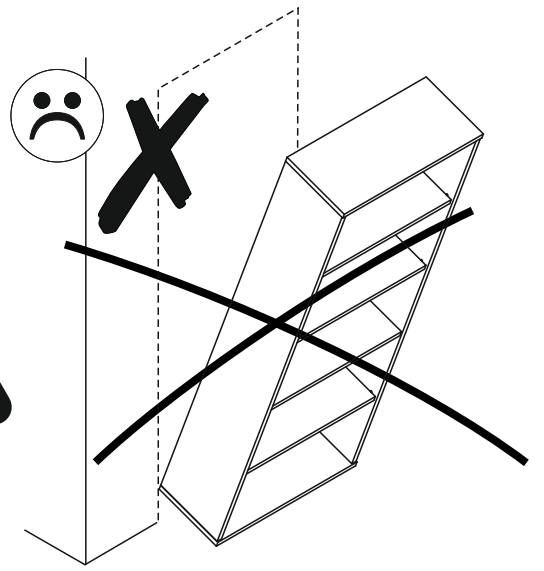
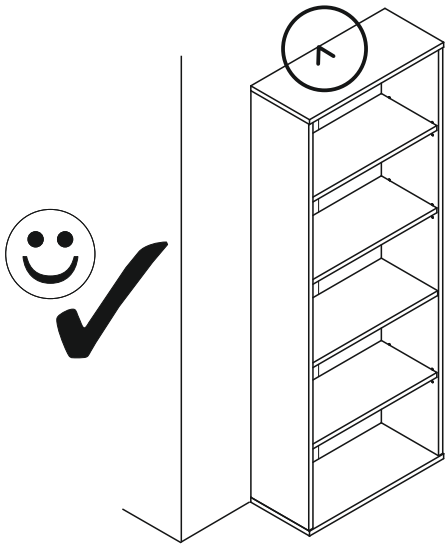
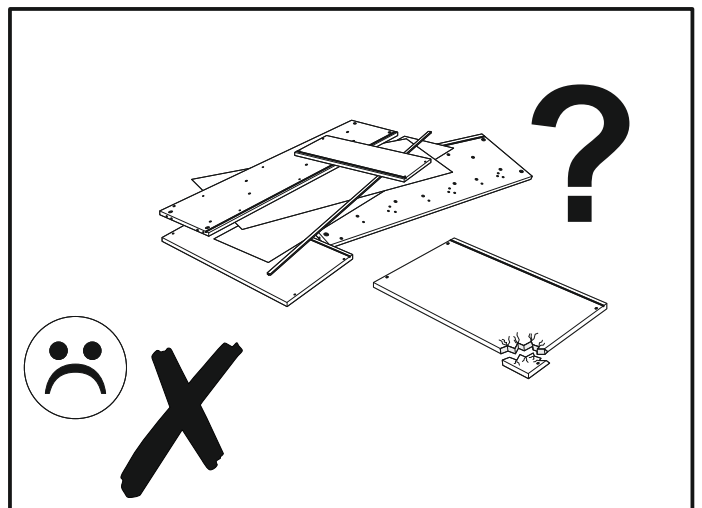
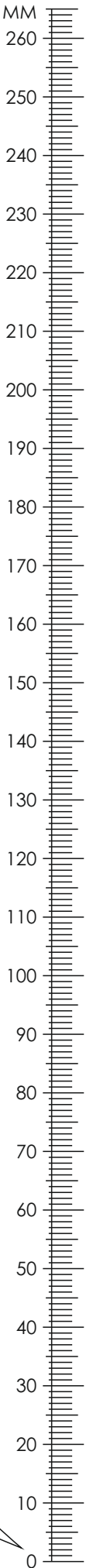


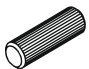
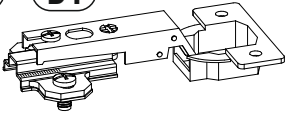

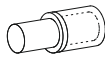


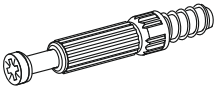





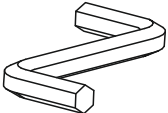
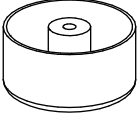
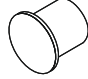
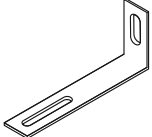
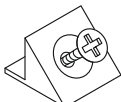
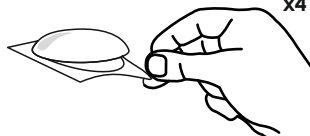
Ø5

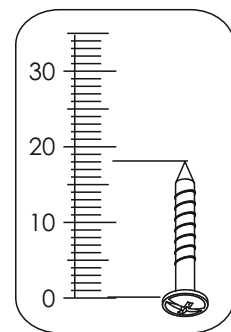
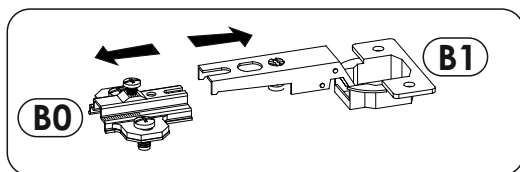


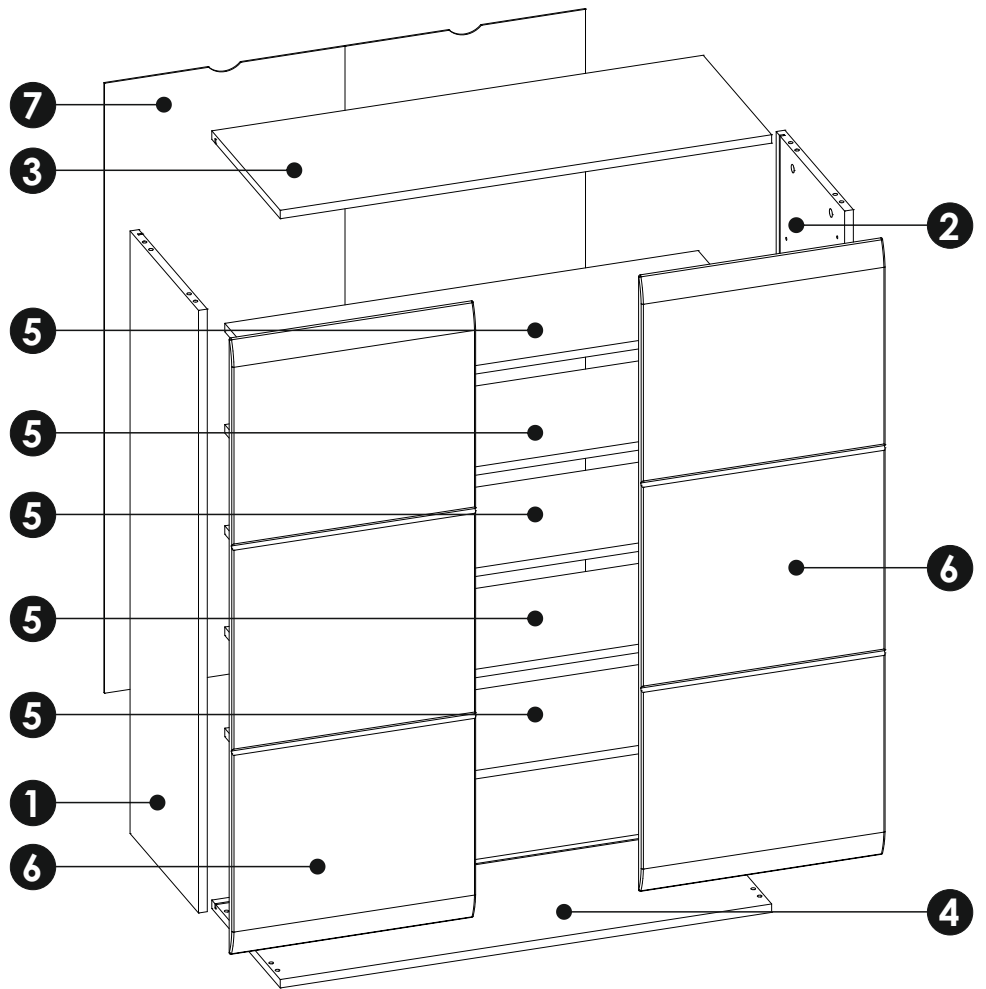
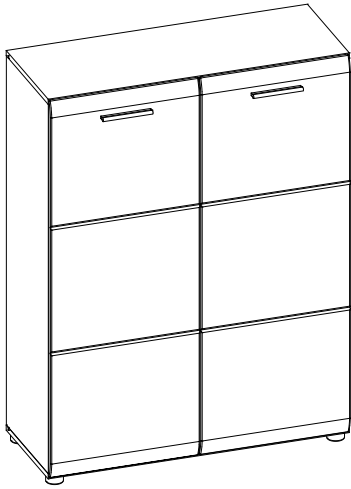






| | | |
|---|---|--|
| A1 8 x 35 mm  | B0 + B1  | C1 4 x 13 mm  |
| D2  | E0  | E1 15 x 12 mm  |
| F1 6 x 34 mm  | G1 7 x 50 mm  | H1 L-148 mm  |
| I2 4 x 16 mm  | I5 3,5 x 27 mm  | I10 3,5 x 22 mm  |
| M  | O1  | P0  |
| Q9  | R4  | R8  |

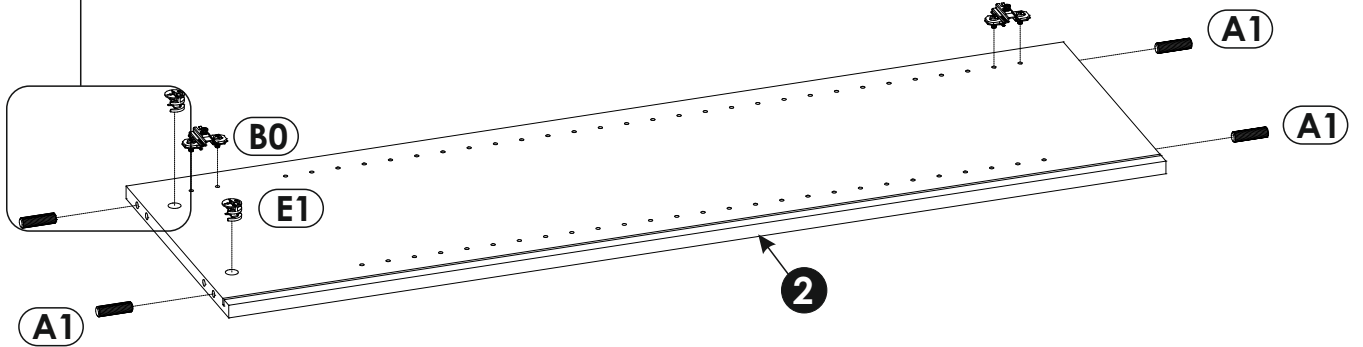
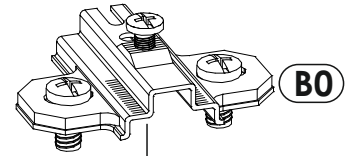
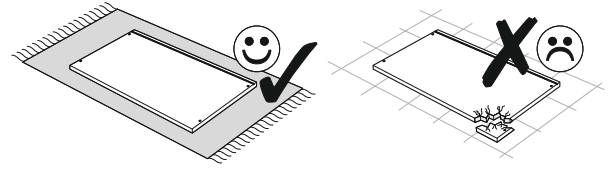
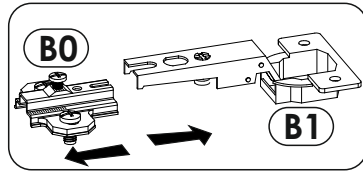
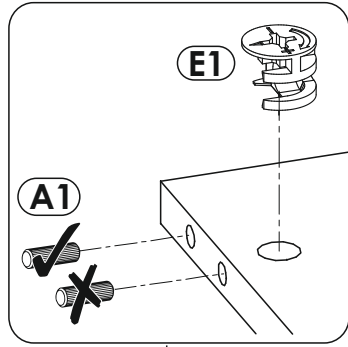




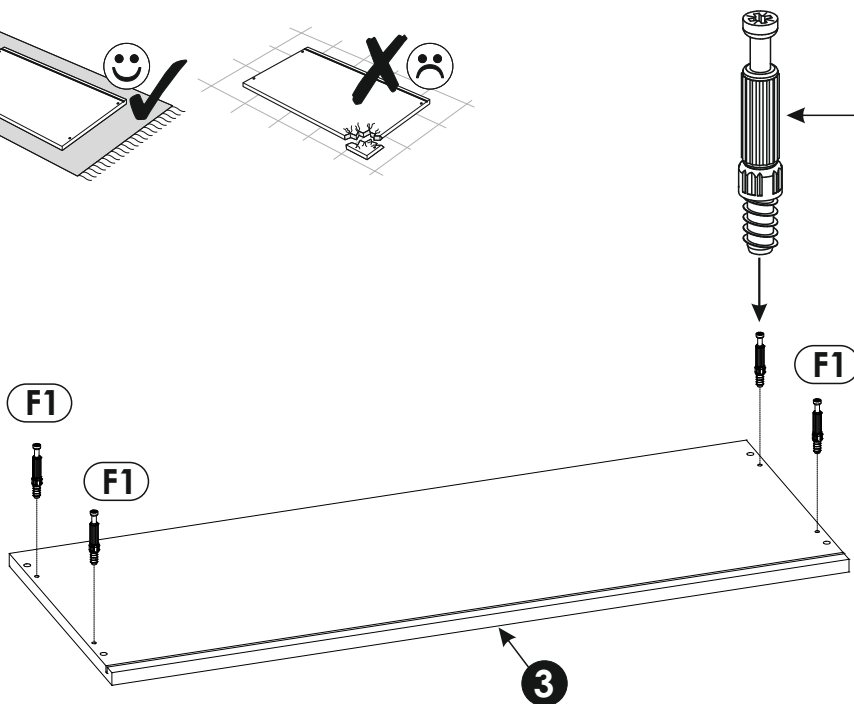
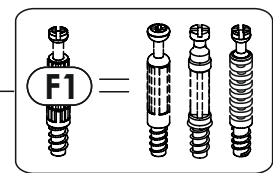
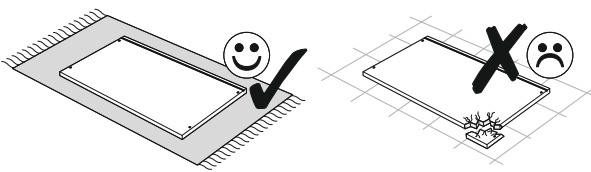
| | | | | | |
|----------|------|-----|----|----|-----|
| 1 | 1143 | 344 | 16 | x1 | 2/2 |
| 2 | 1143 | 344 | 16 | x1 | 2/2 |
| 3 | 899 | 344 | 16 | x1 | 1/2 |
| 4 | 899 | 344 | 16 | x1 | 1/2 |
| 5 | 866 | 309 | 16 | x5 | 1/2 |
| 6 | 1169 | 446 | 16 | x2 | 2/2 |
| 7 | 1157 | 880 | 3 | x1 | 2/2 |



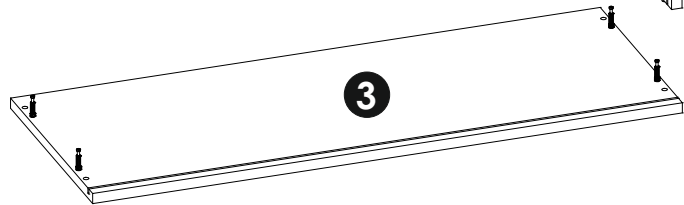
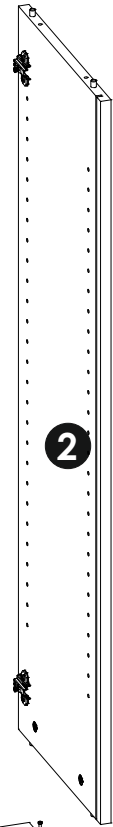
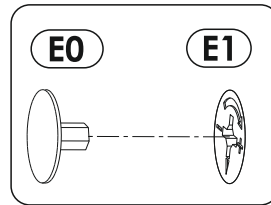
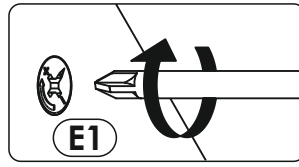
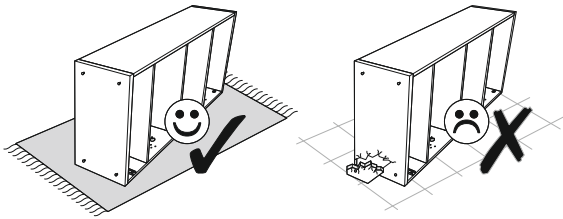
1 ▶



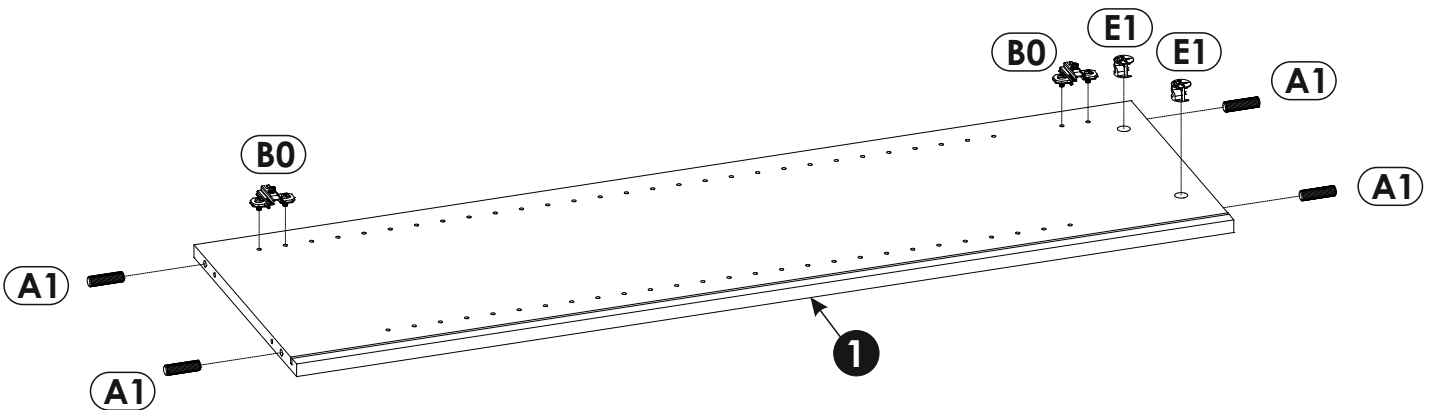
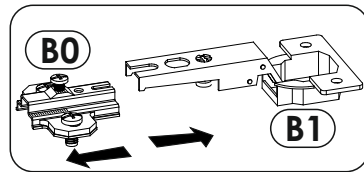
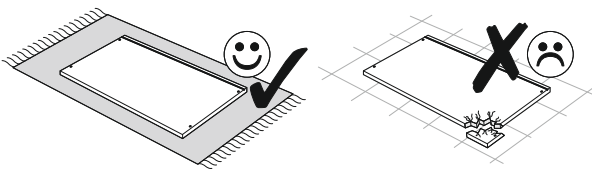
2 ▶



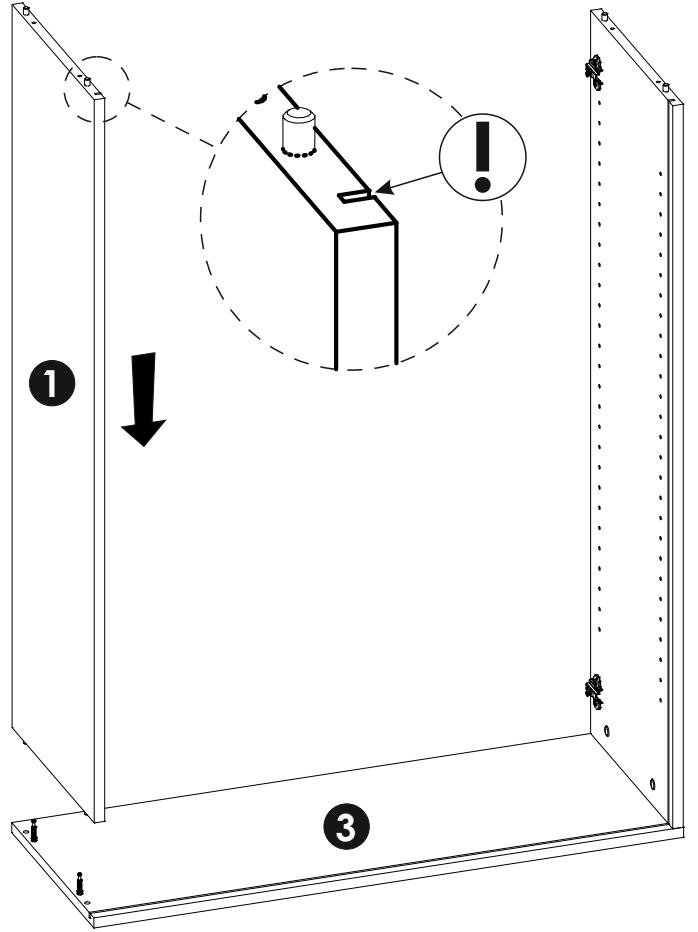
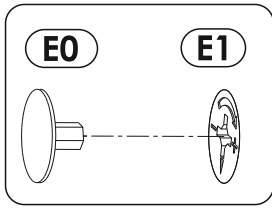
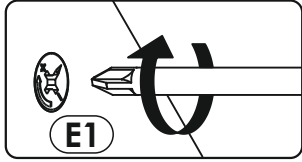
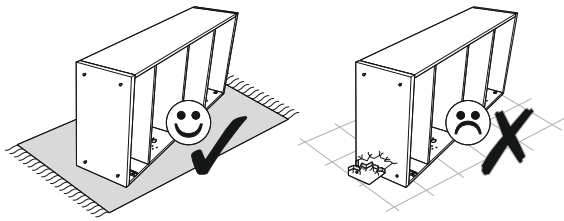
3 ▶



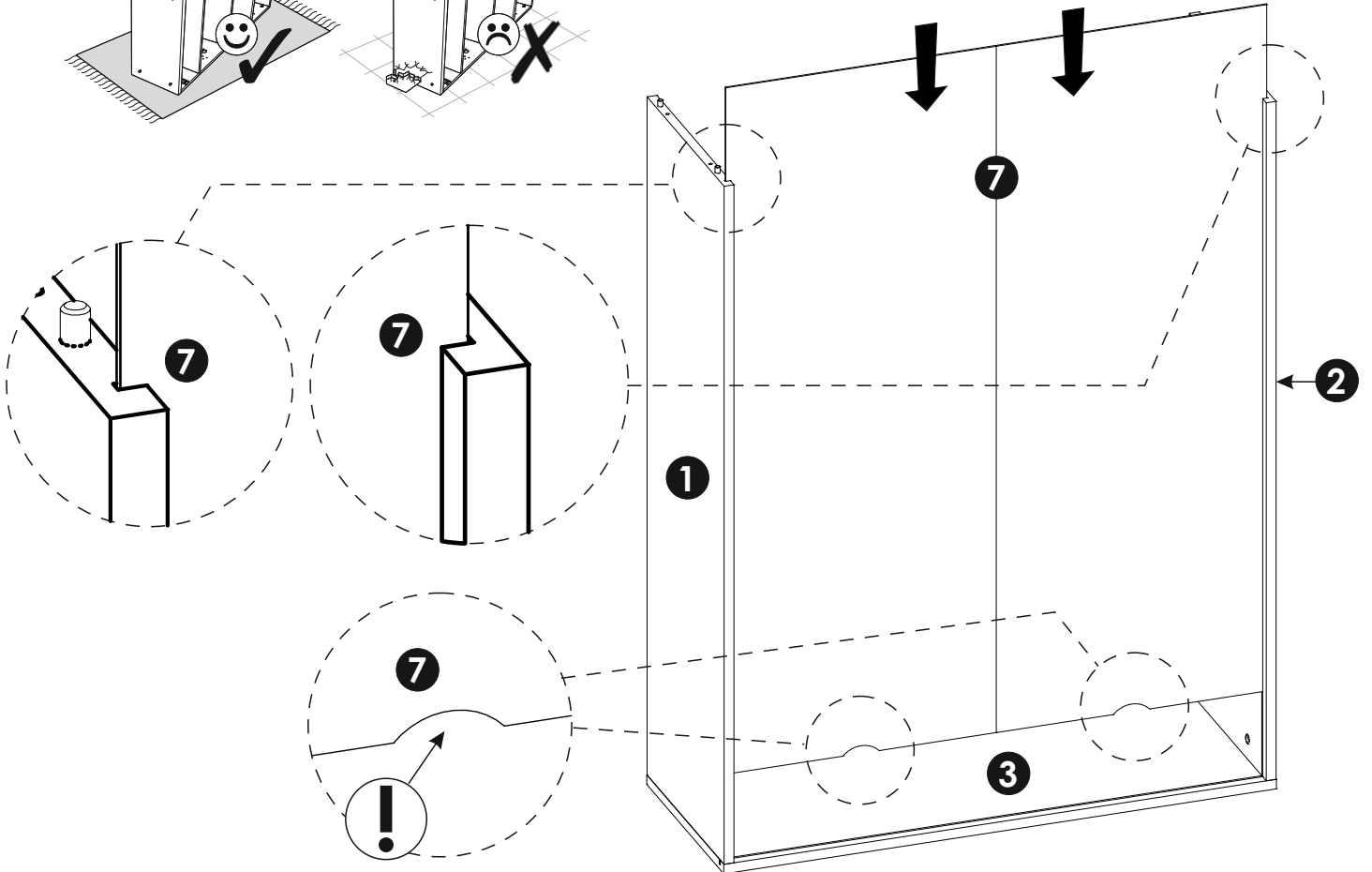
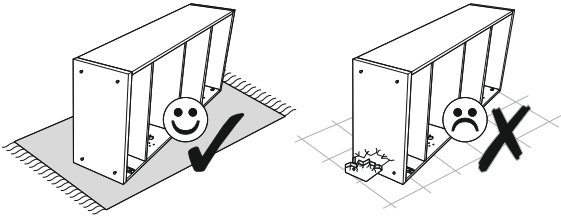
4 ▶



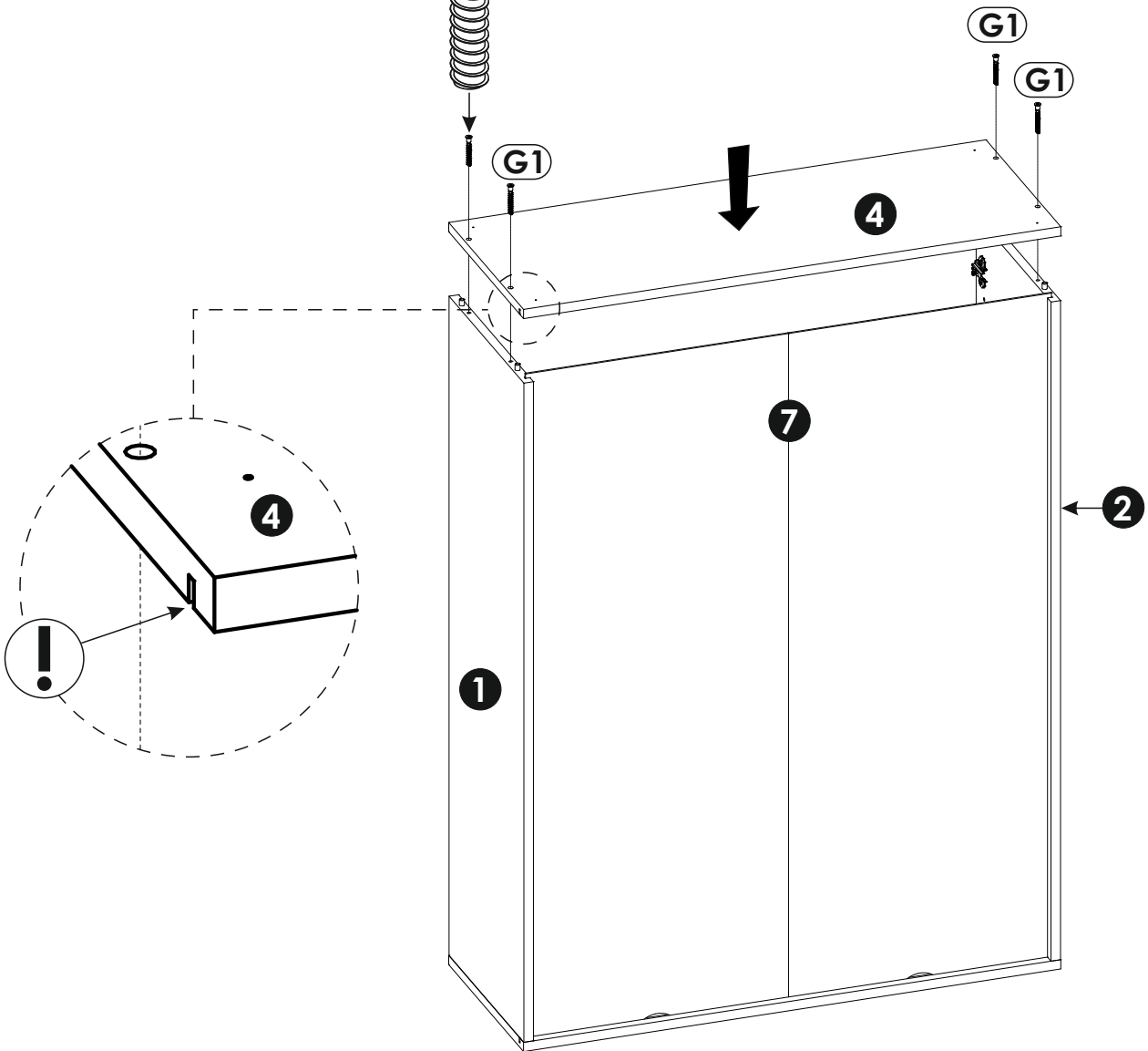
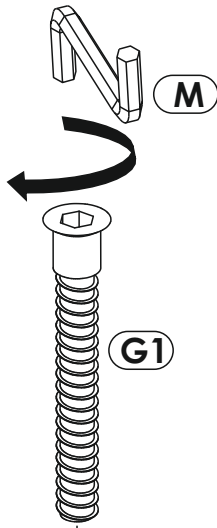
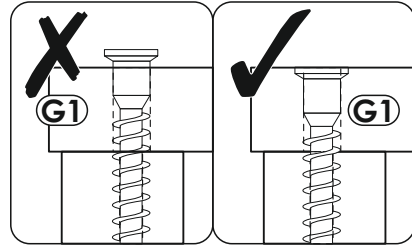
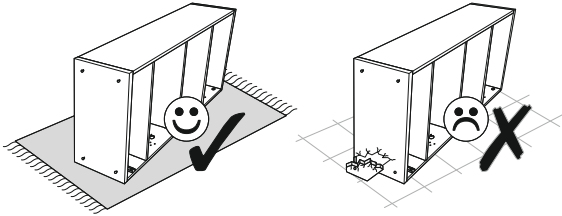
5 ▶



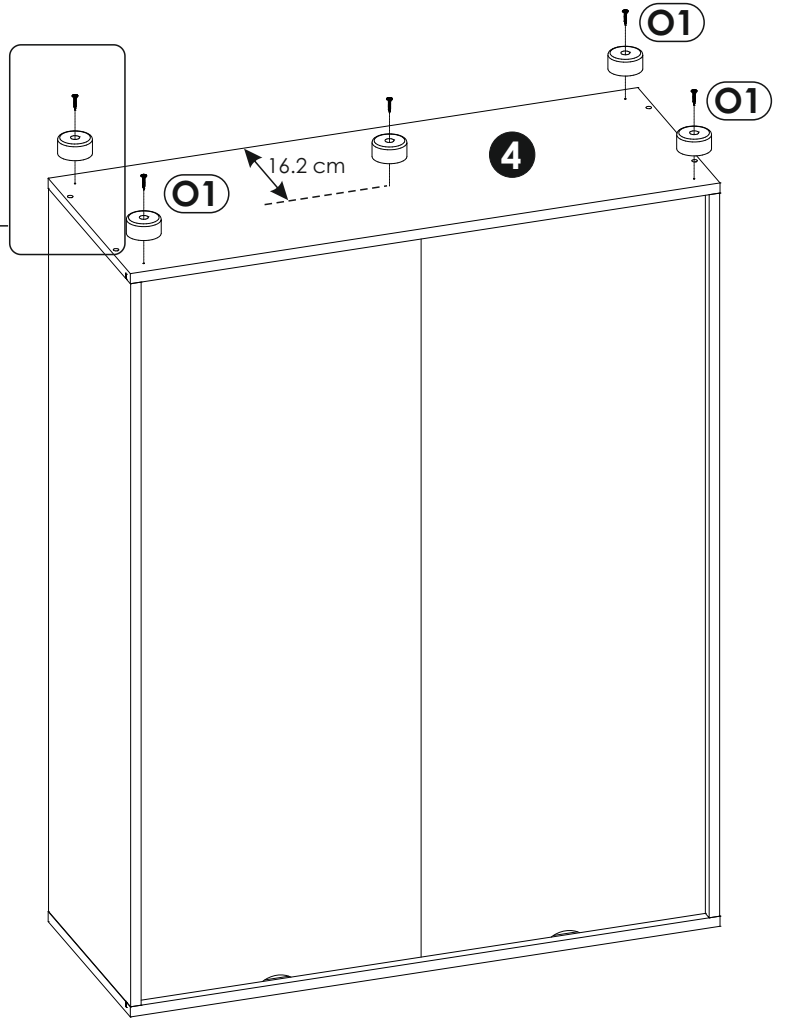
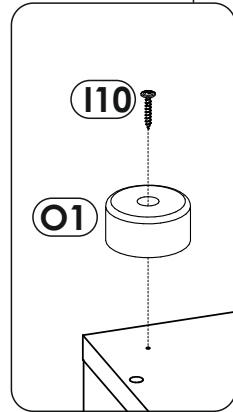
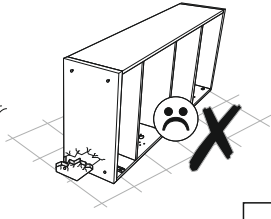
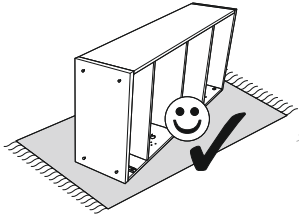
6 ▶



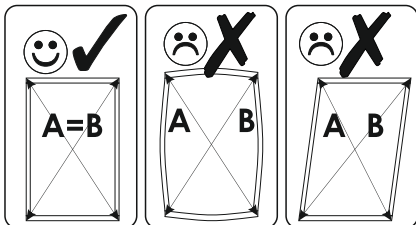
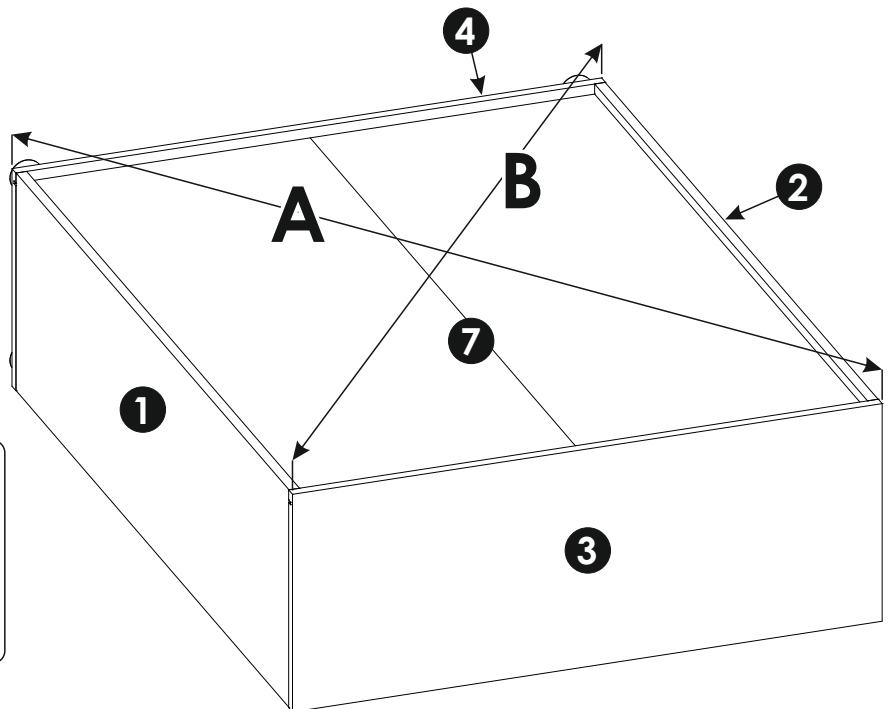
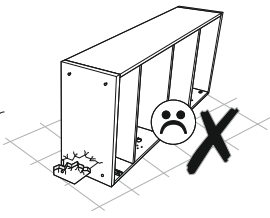
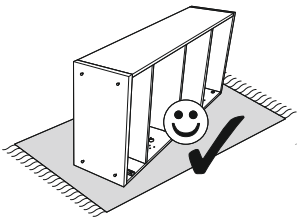
7



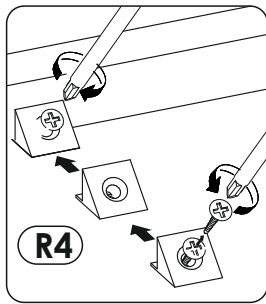
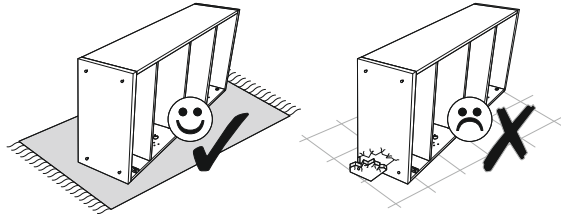
8 ▶



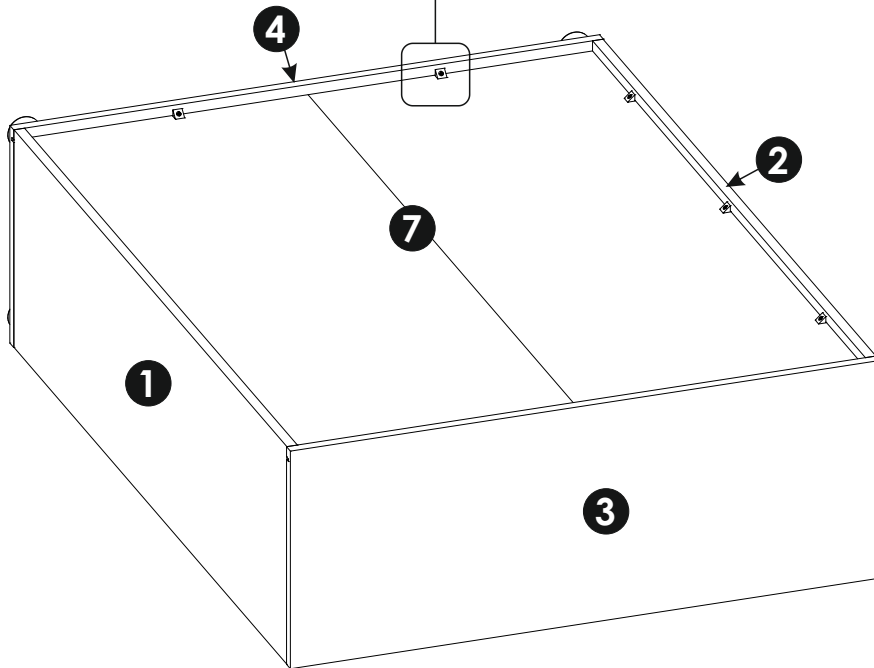
9 ▶

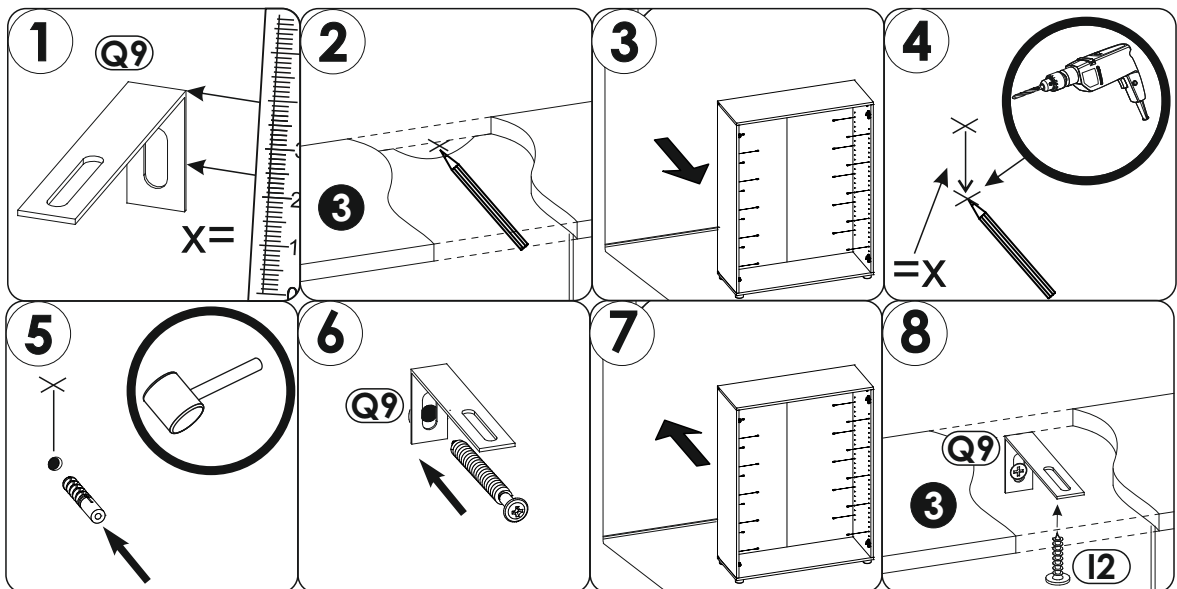
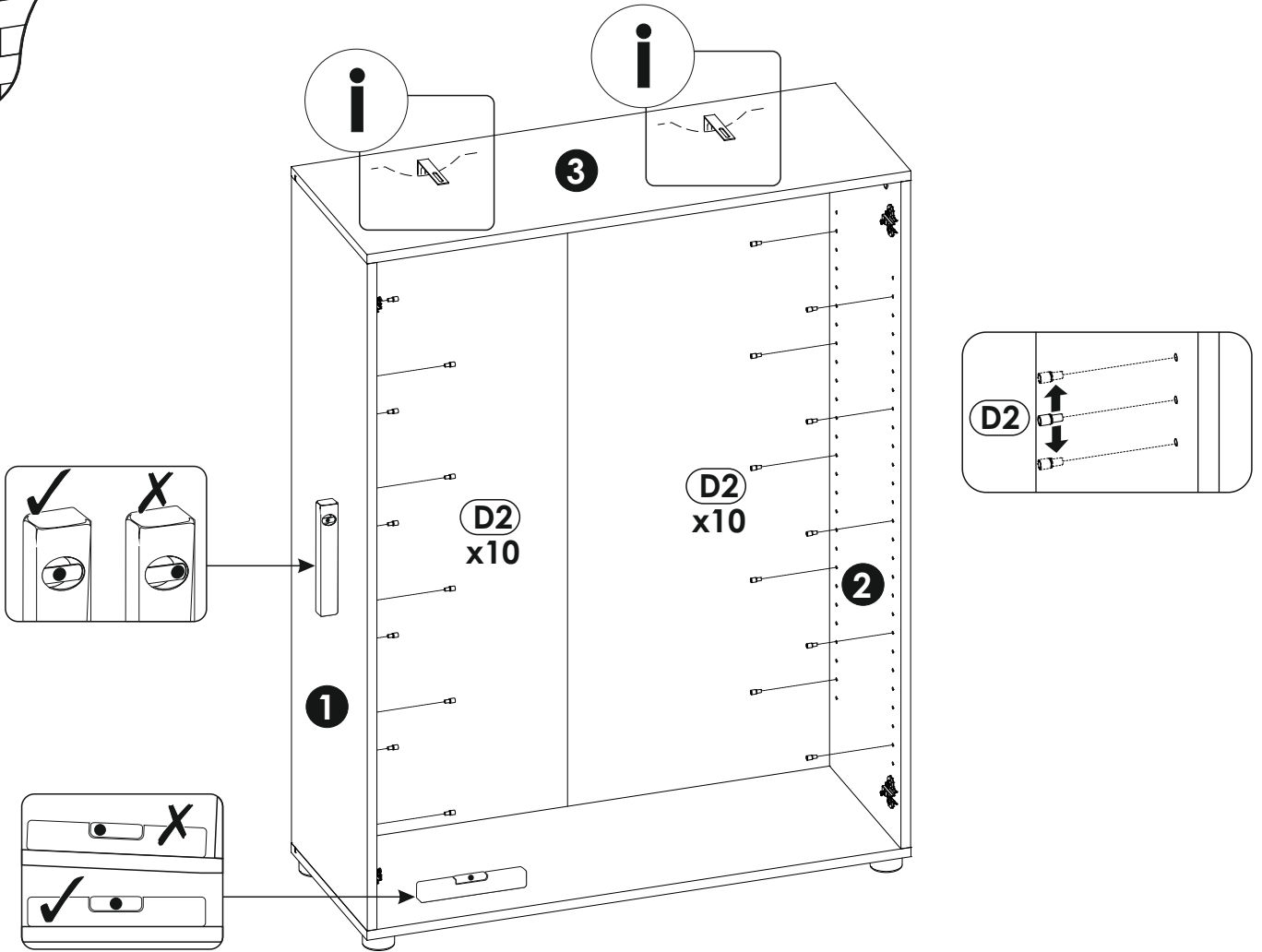
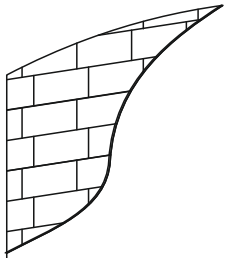
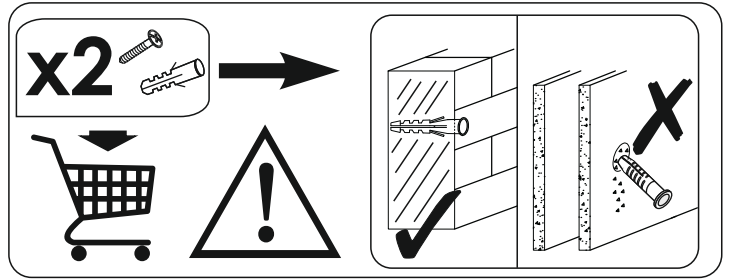


10 ▶

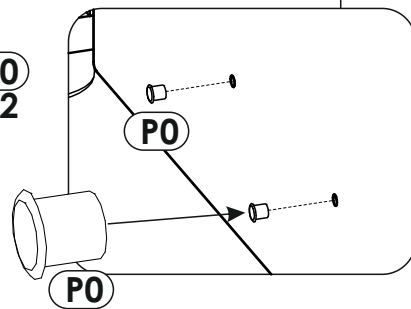
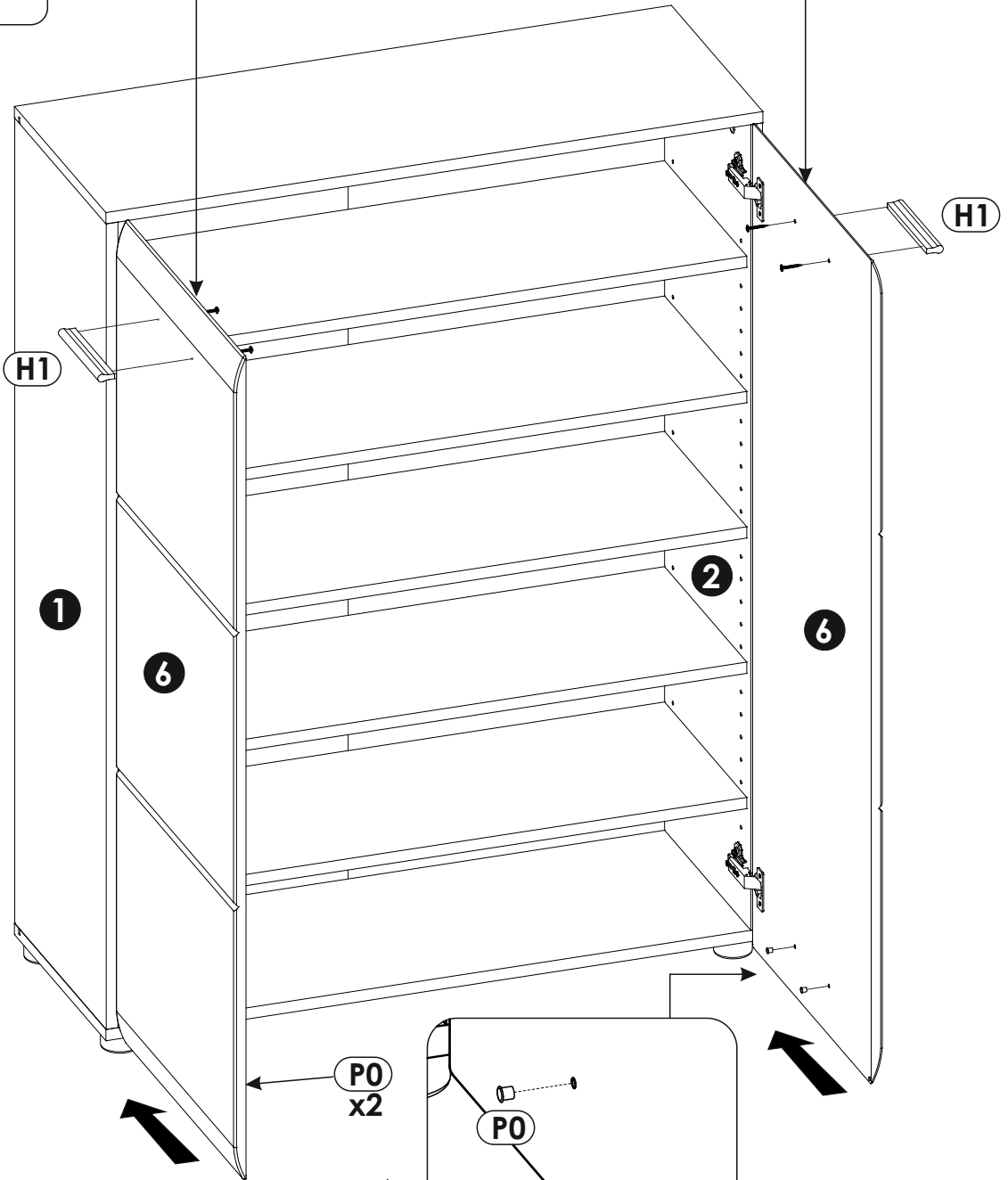
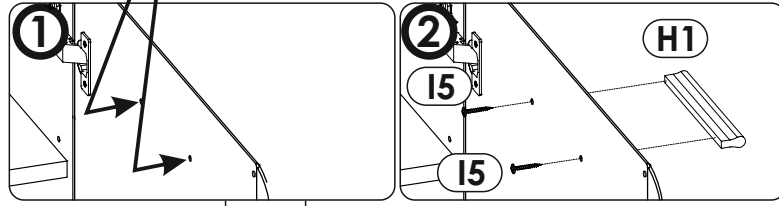
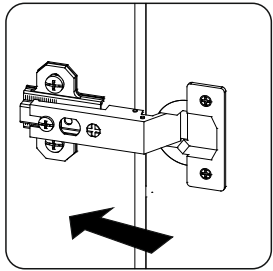
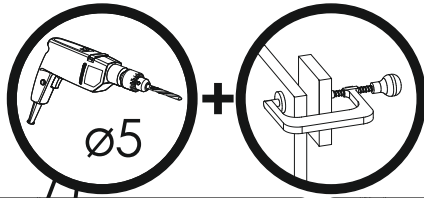


x10





14 ▶



15▶

