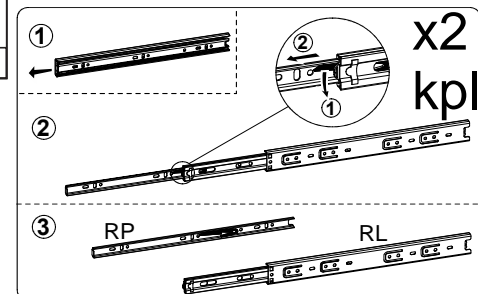
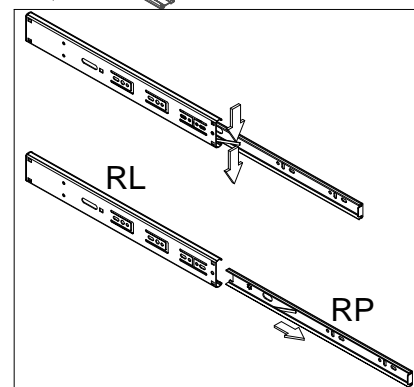
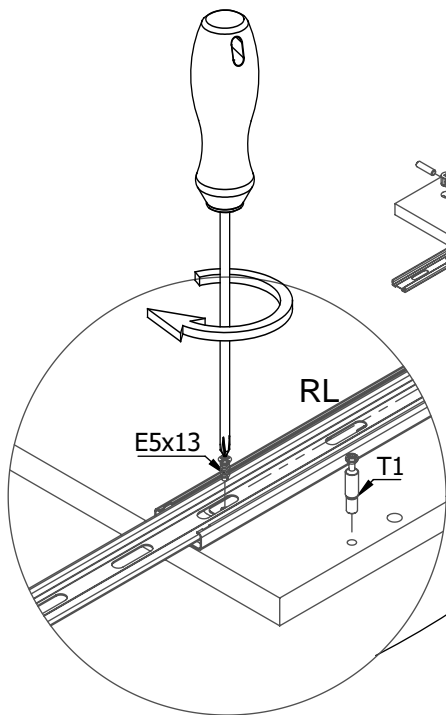
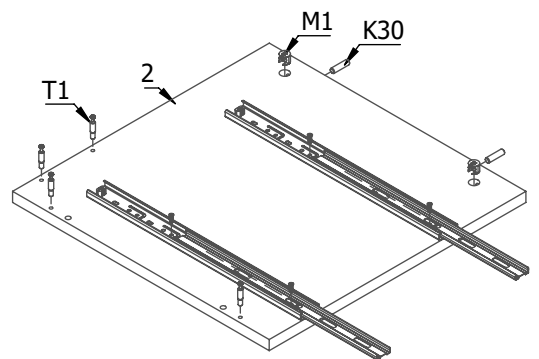
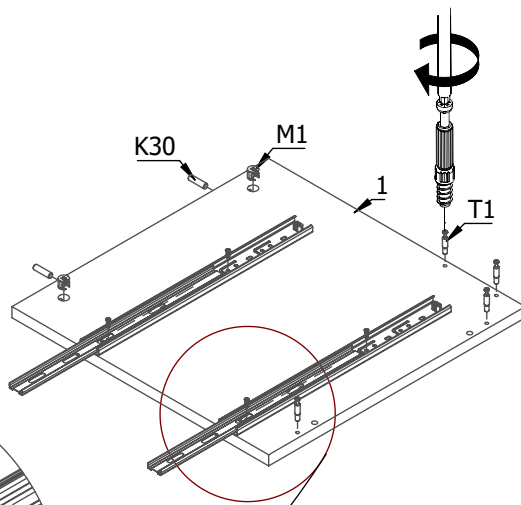
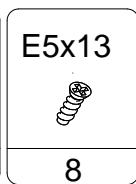
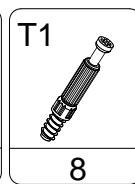
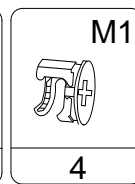
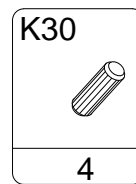
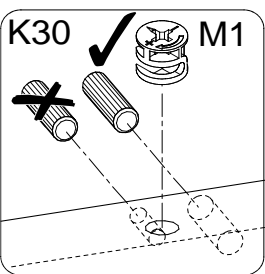
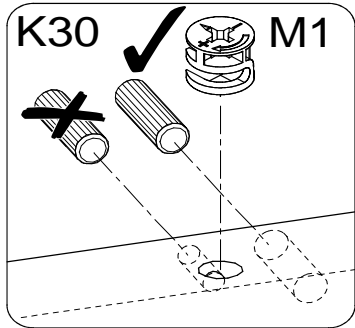
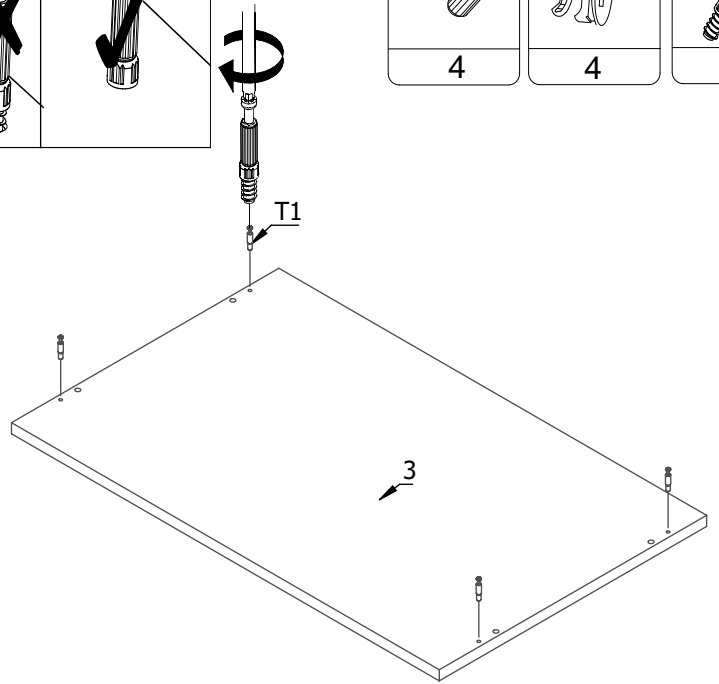
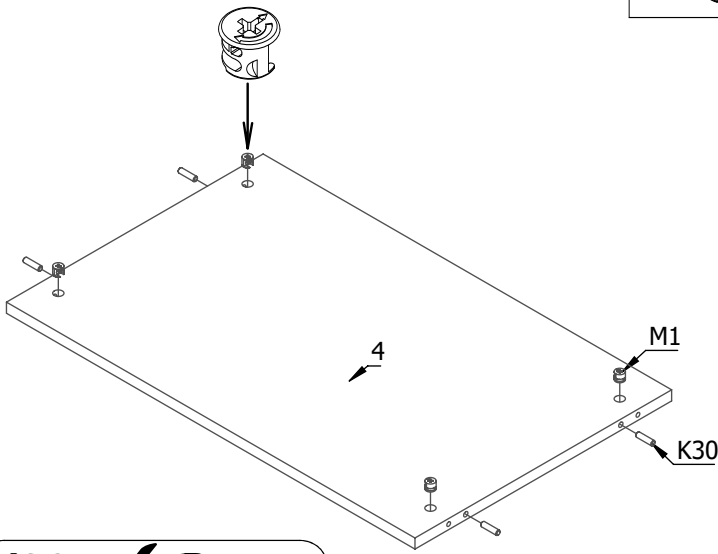
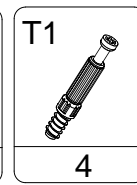
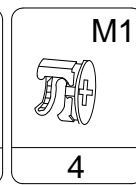
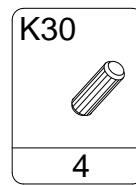
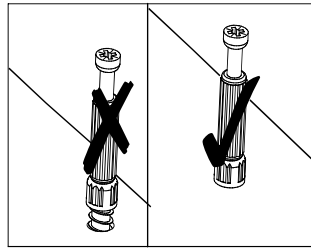



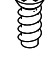



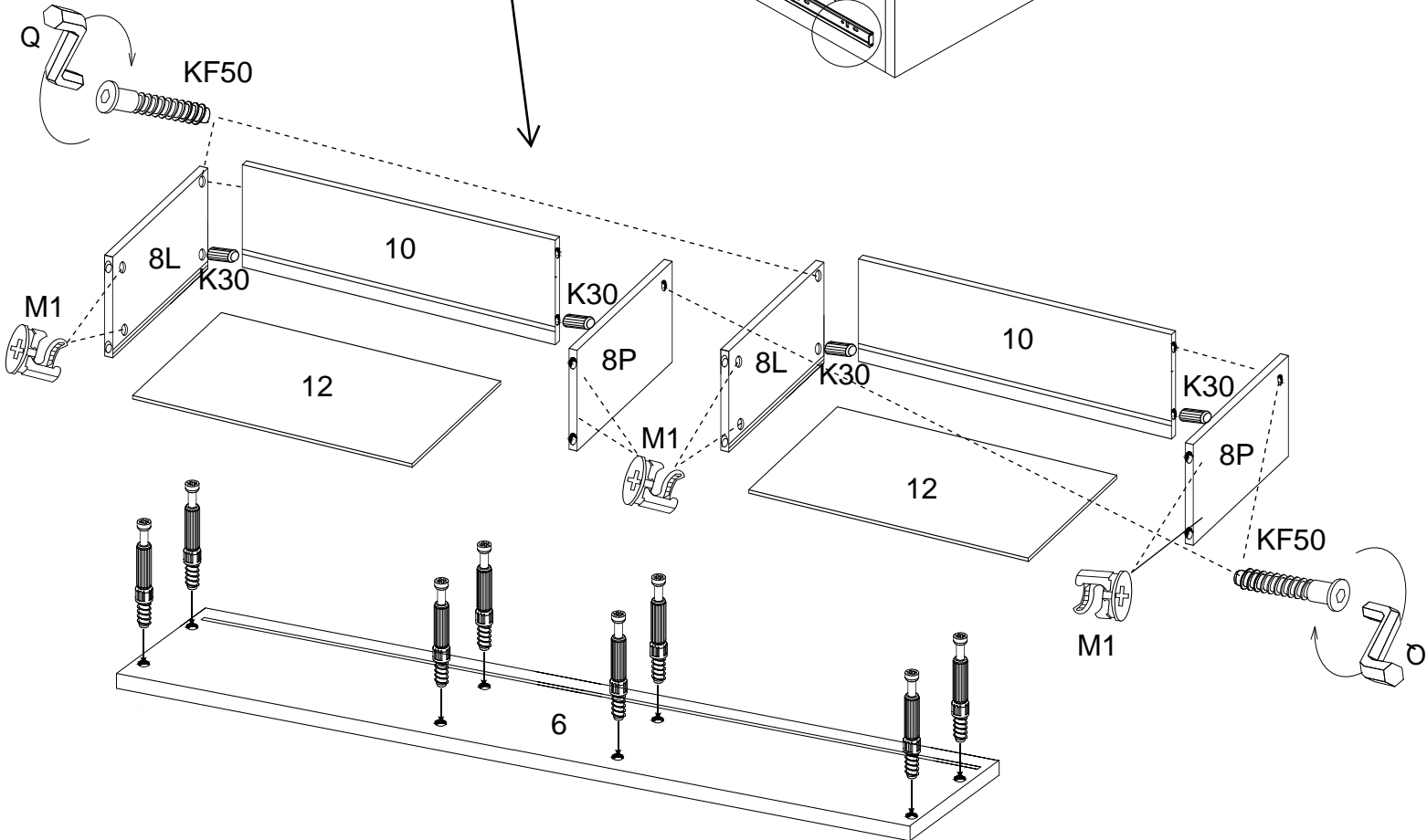
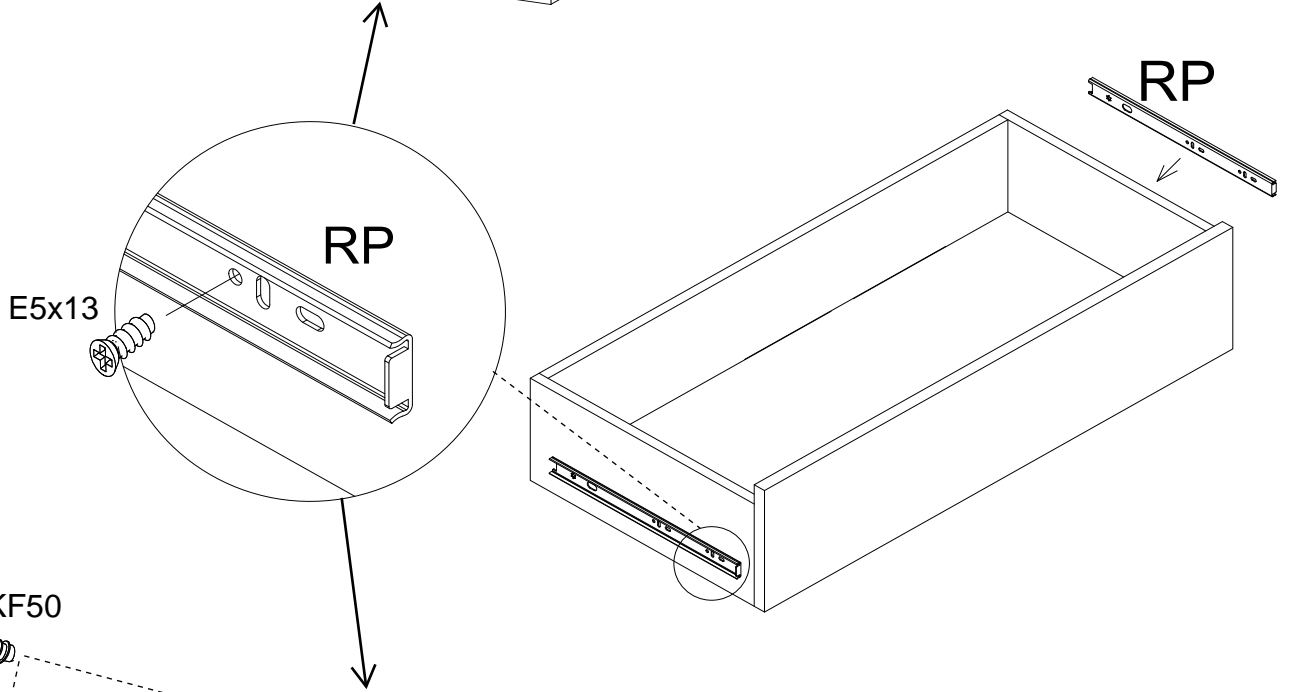
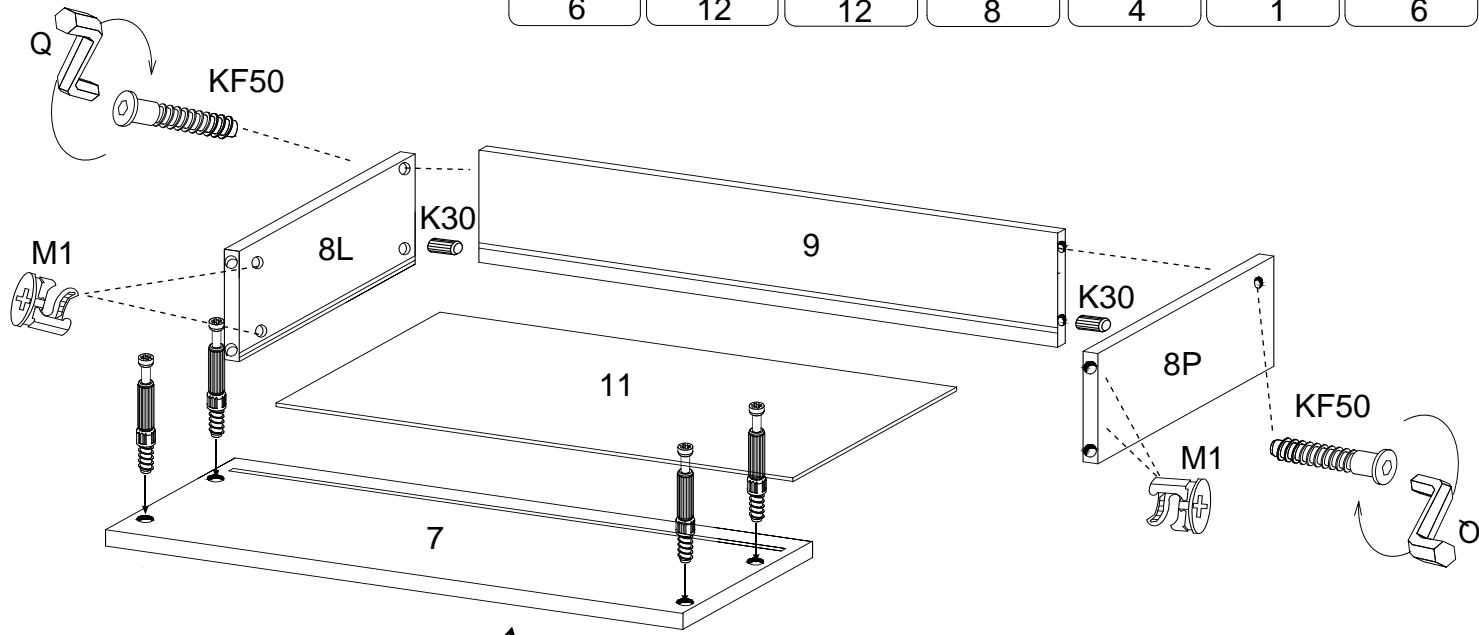


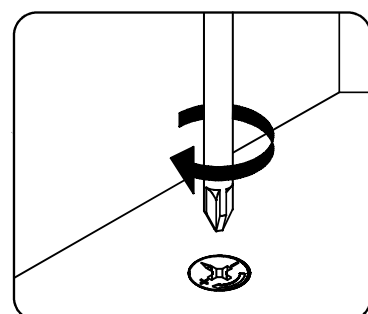
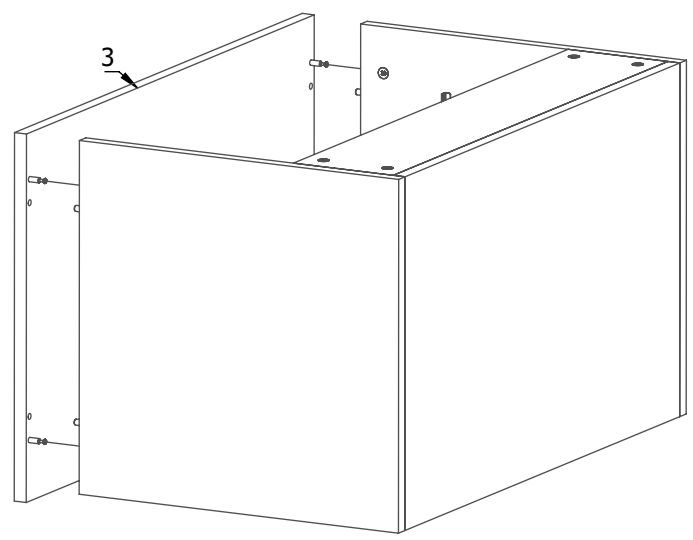
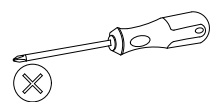
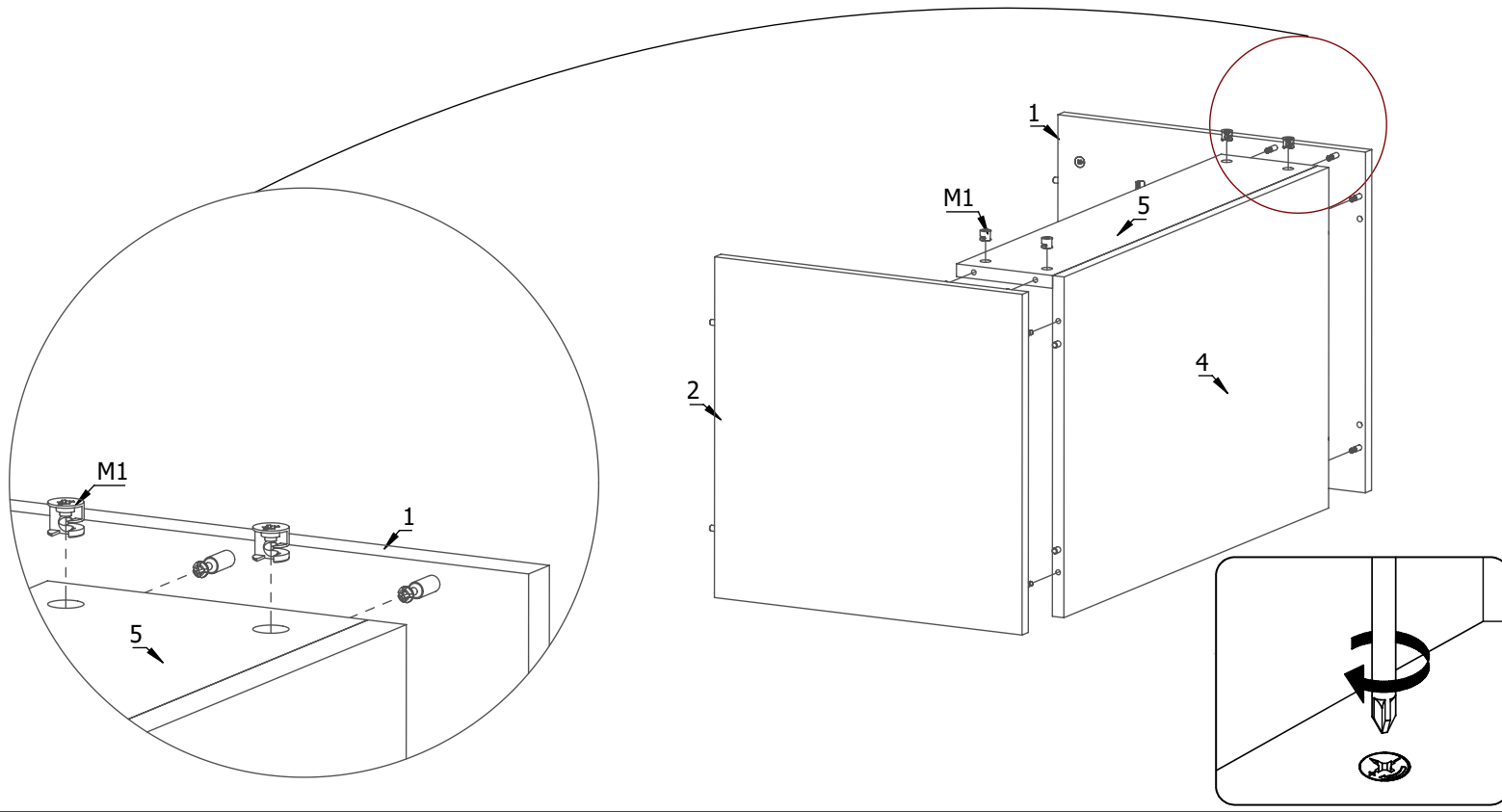
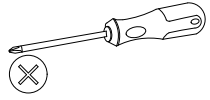
<p>10x80 KR 4</p>	<p>KF50 6</p>	<p>Q 1</p>	<p>X 24</p>	<p>E5x13 16</p>	<p>UM 2</p>	<p>x1 6</p>
<p>K30 14</p>	<p>T1 24</p>	<p>M1 24</p>	<p>CAM 2</p>	<p>ZA 2</p>	<p>W3,5x16 4</p>	

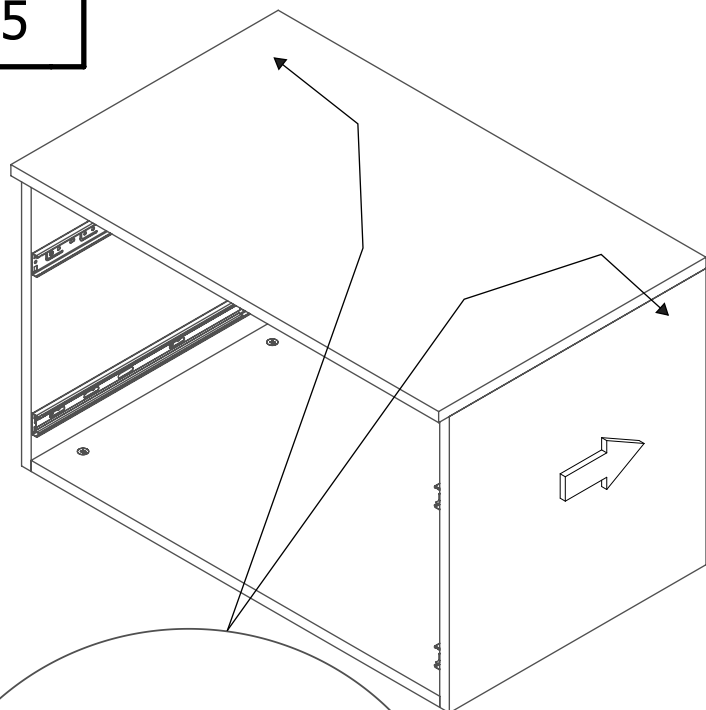



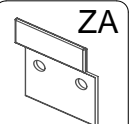



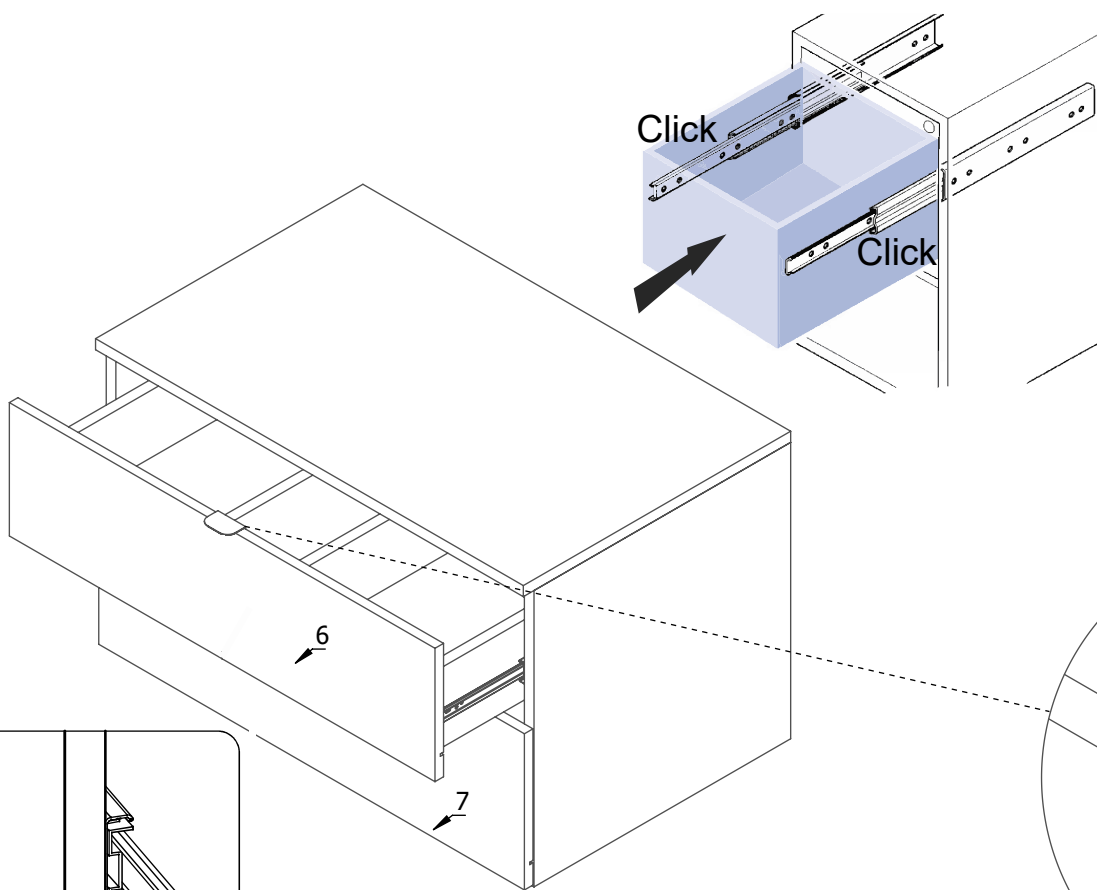
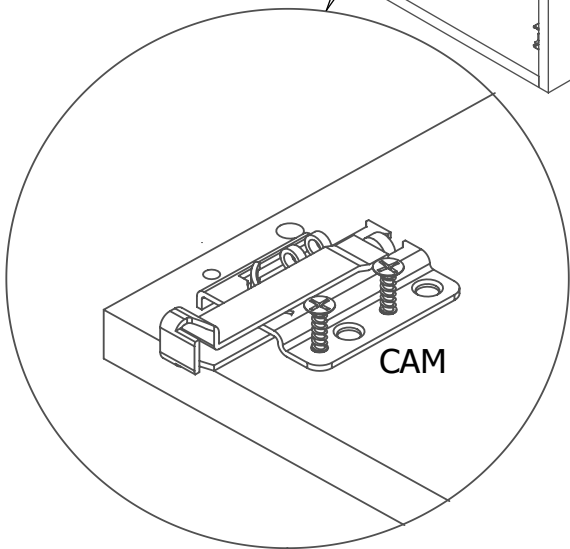
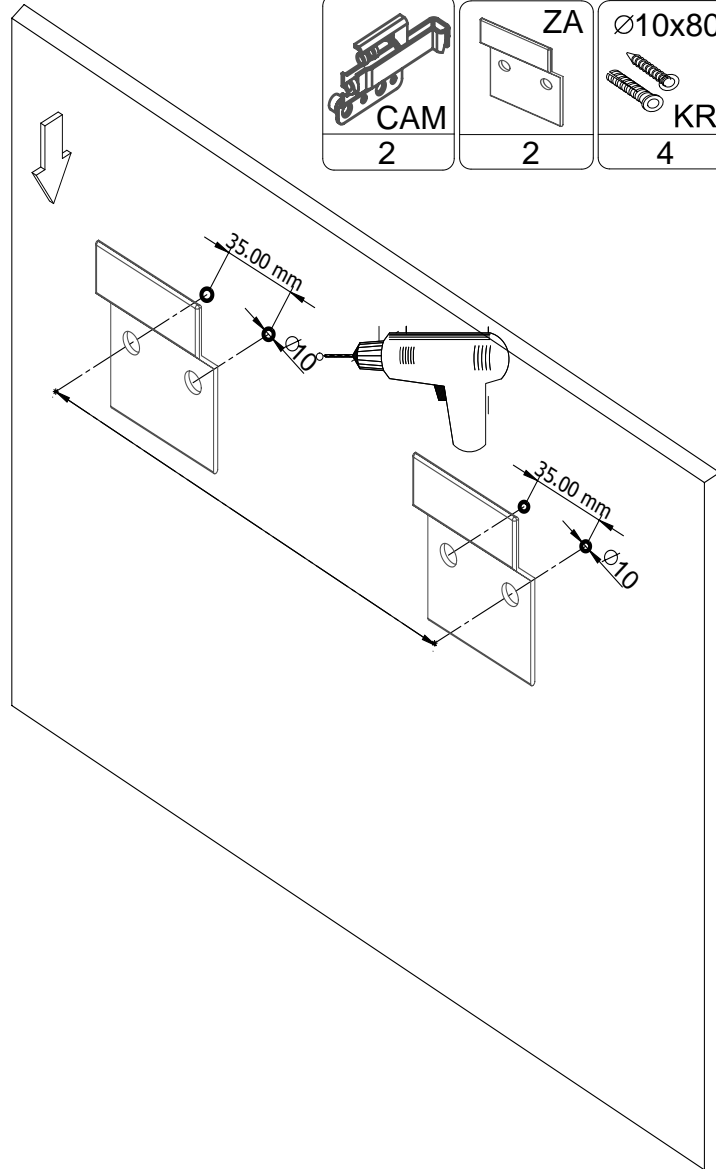
K30  6	M1  12	T1  12	E5x13  8	RP  4	Q  1	KF50  6
--	--	--	--	---	--	---

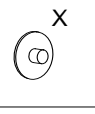
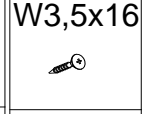







 CAM 2	 ZA 2	 Ø10x80 KR 4
--	---	---



 x 24	 W3,5x16 4	 UM 2
--	---	--

