
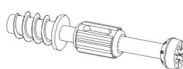


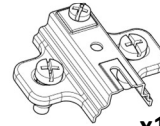
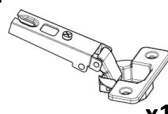



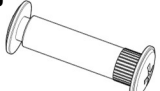
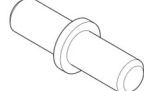
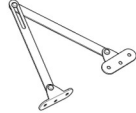

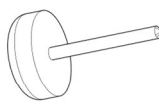


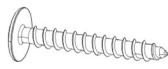

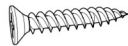
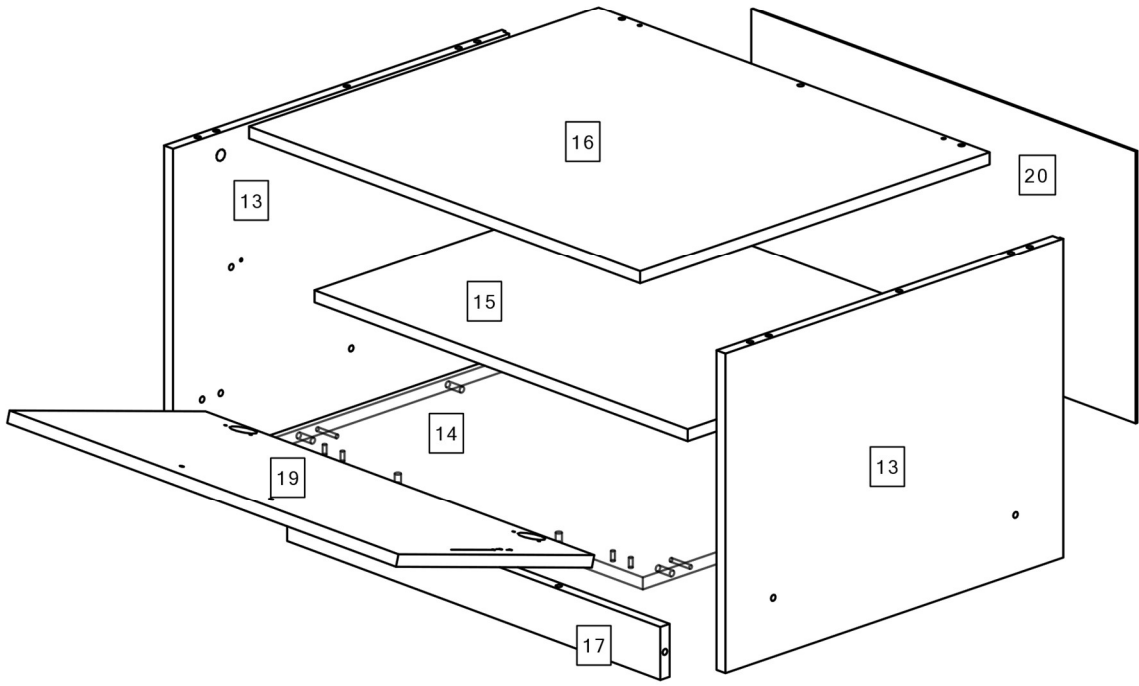


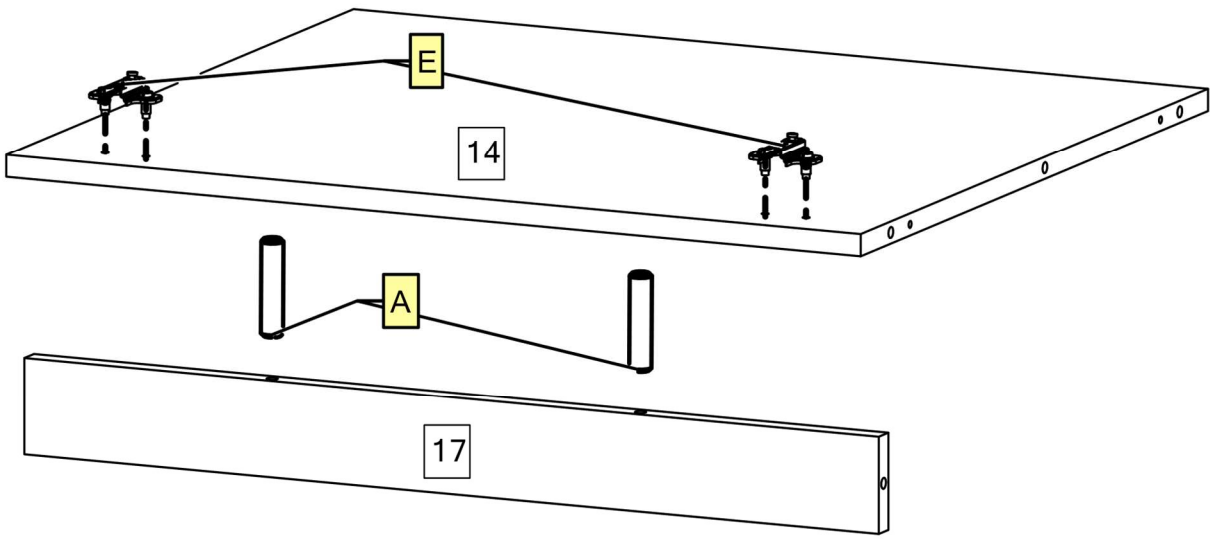
No	T(mm)	L(mm)	W(mm)	Stc.
1	16	1900	580	2
2	16	767	577	1
3	16	767	100	2
4	16	767	70	1
5	16	1827	396	2
6	3	1830	393	2
7	16	500	580	2
8	16	1468	580	2
9	16	467	577	1
10	16	696	494	1
11	16	796	494	1
12	3	1488	487	1
13	16	424	580	2
14	16	667	577	1
15	16	667	500	1
16	16	700	600	1
17	16	667	70	1
18	16	1460	700	1
19	16	696	348	1
20	3	687	360	1

 8x35 x60	 x8	 x8	 7x50 x22	 x12	 x12
 3,5x16 x50	 x1	 x2	 x6	 x4	 x1
 x4	 x8	 x2	 x5	 4x25 x5	 2x20 x100
 4x25 x4					

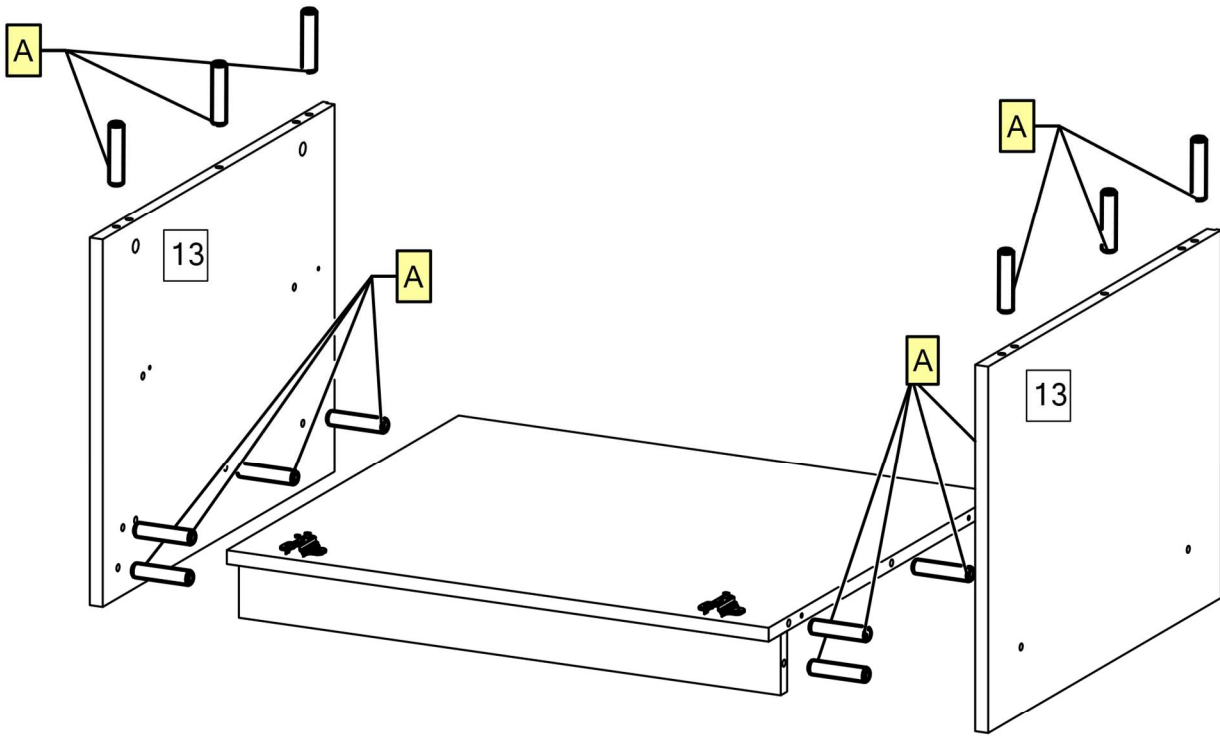
I



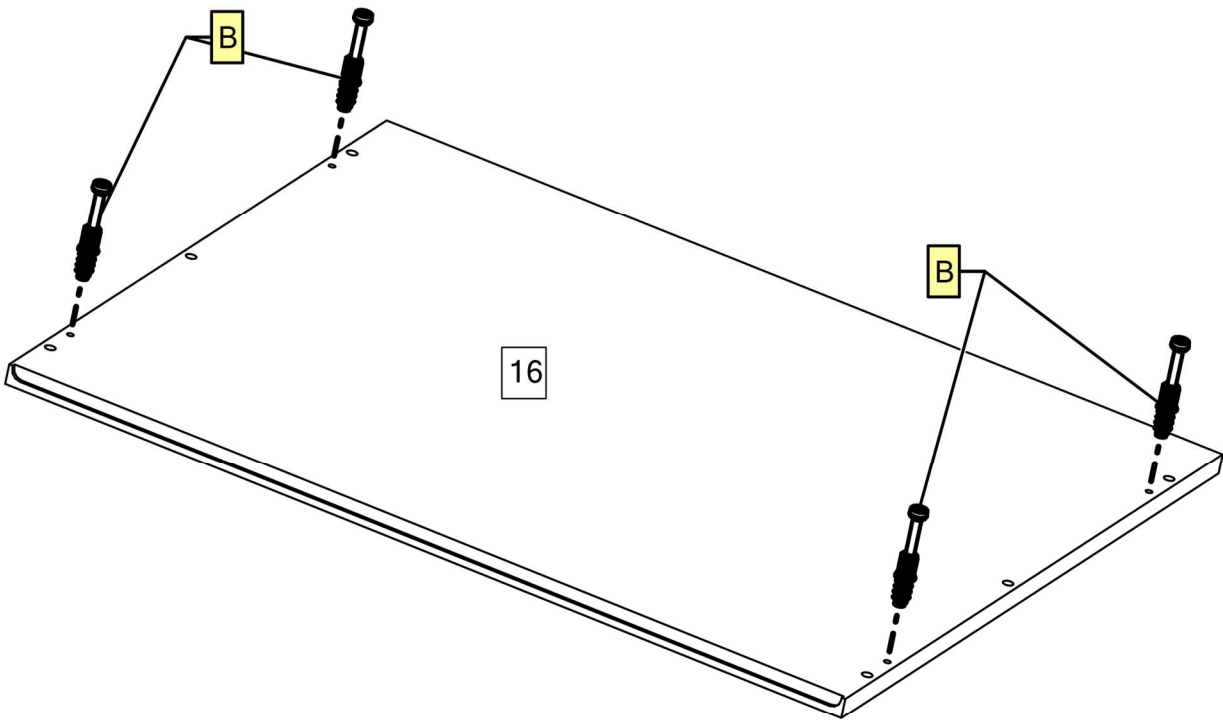
II



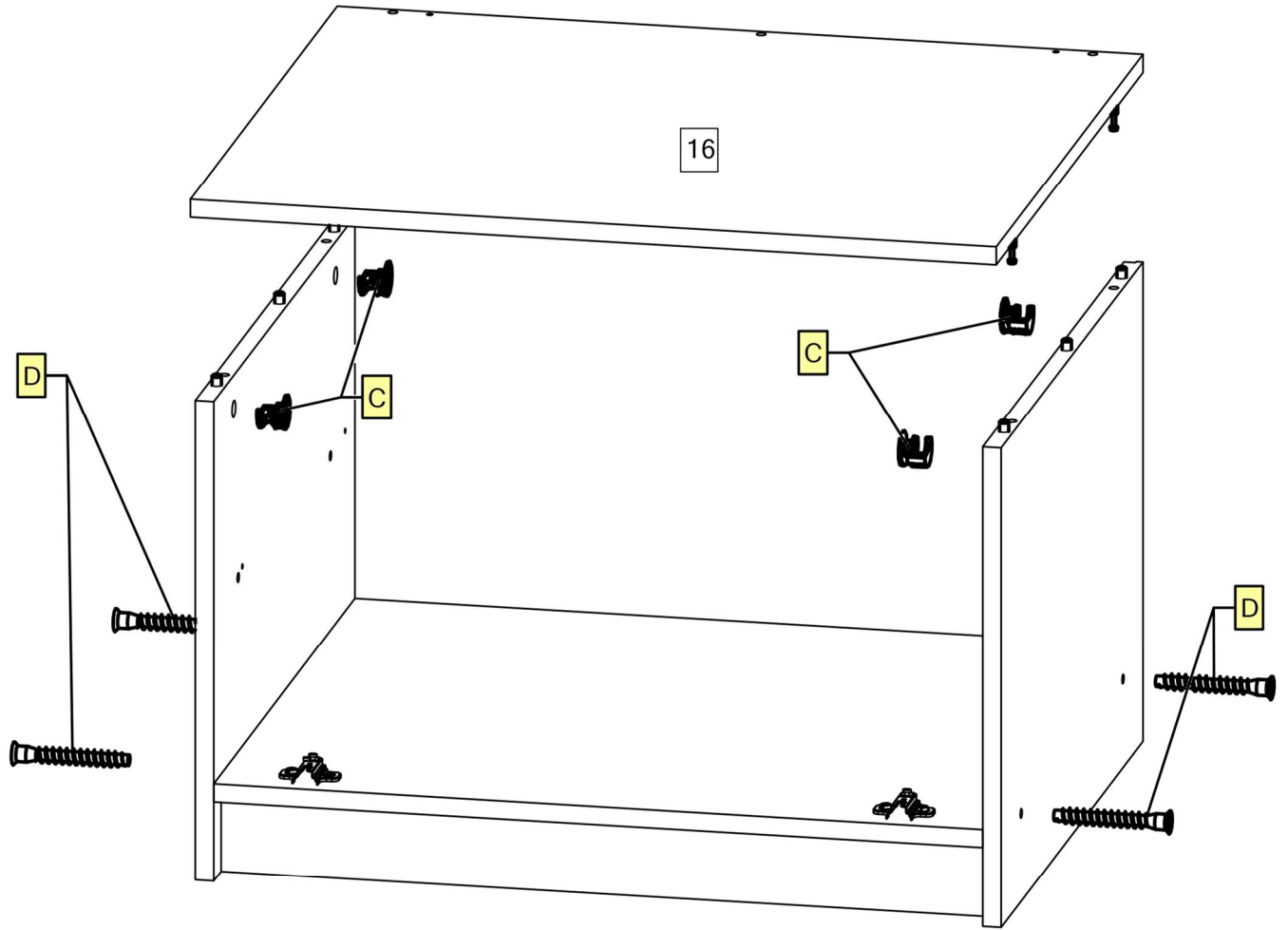
III



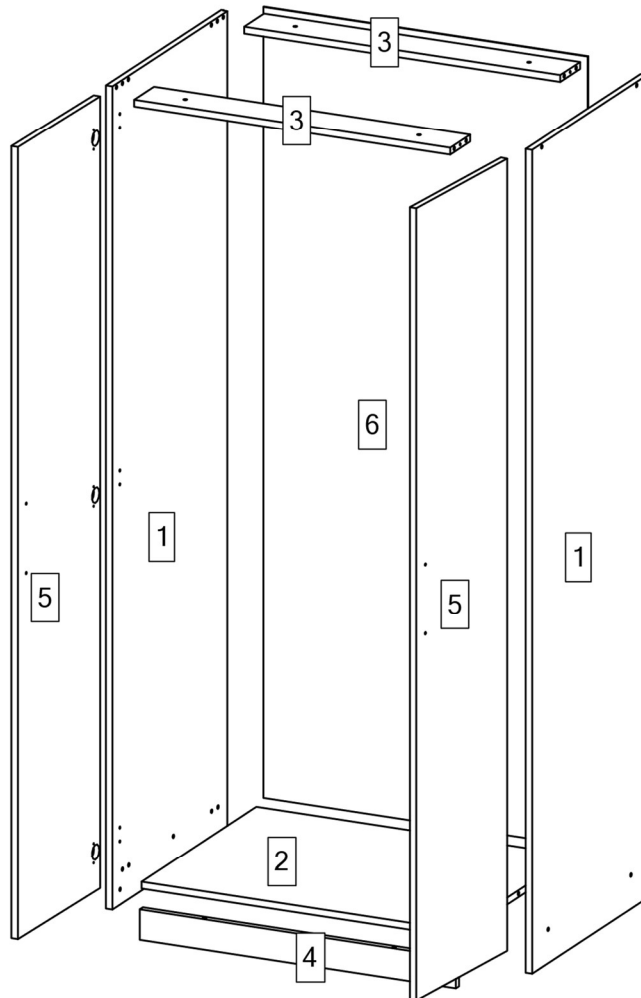
IV



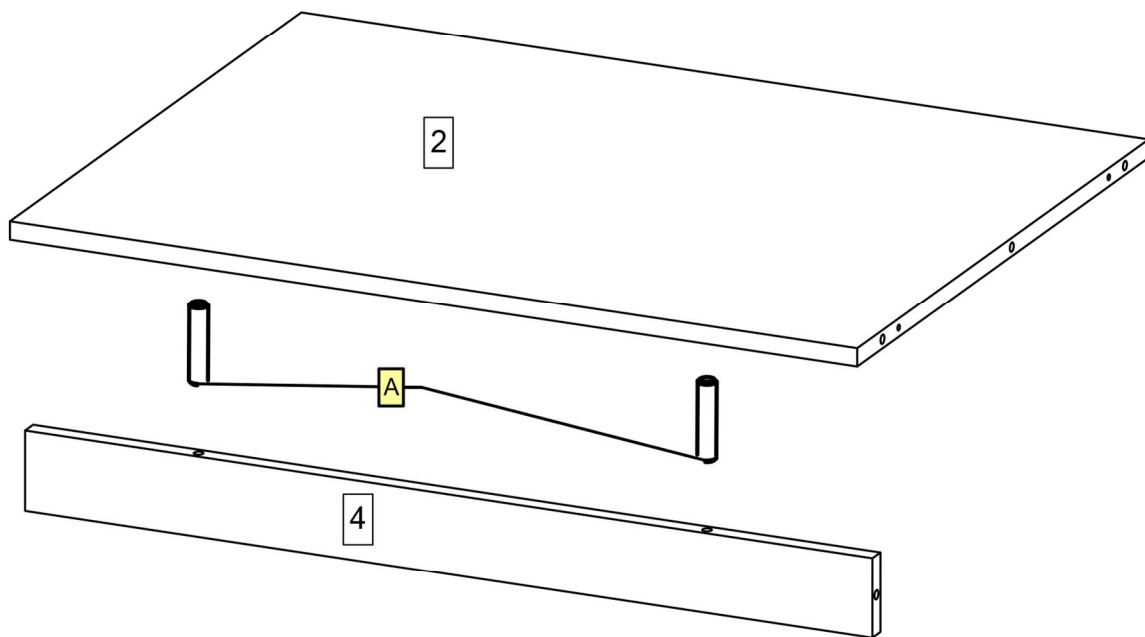
V



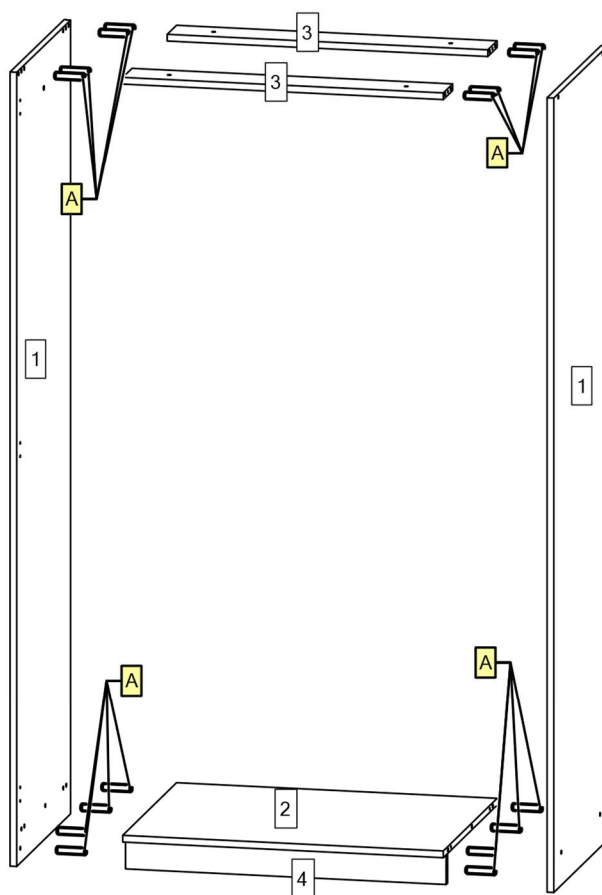
VI



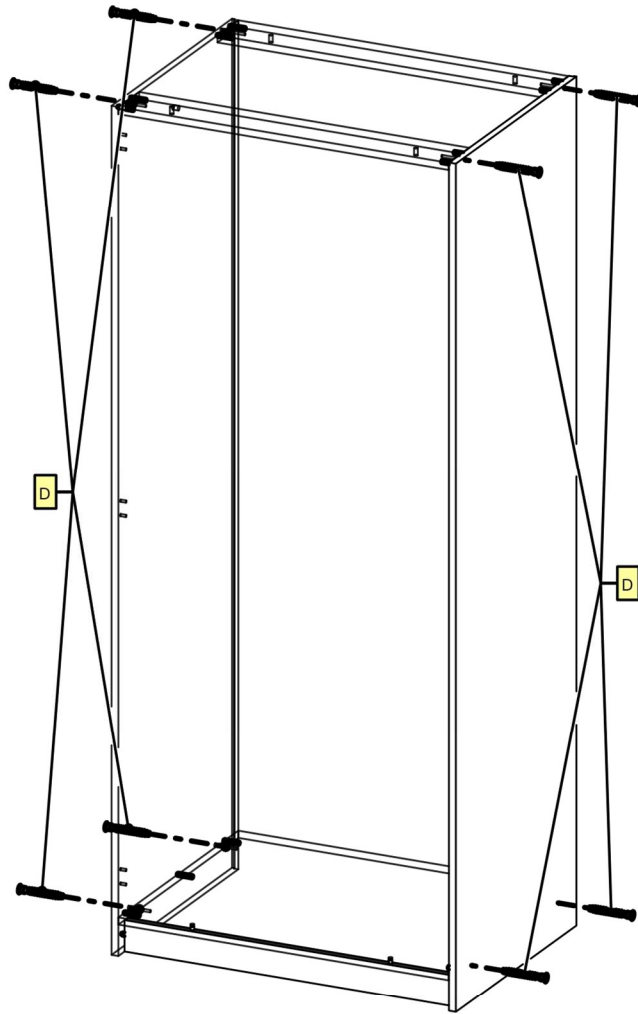
VII



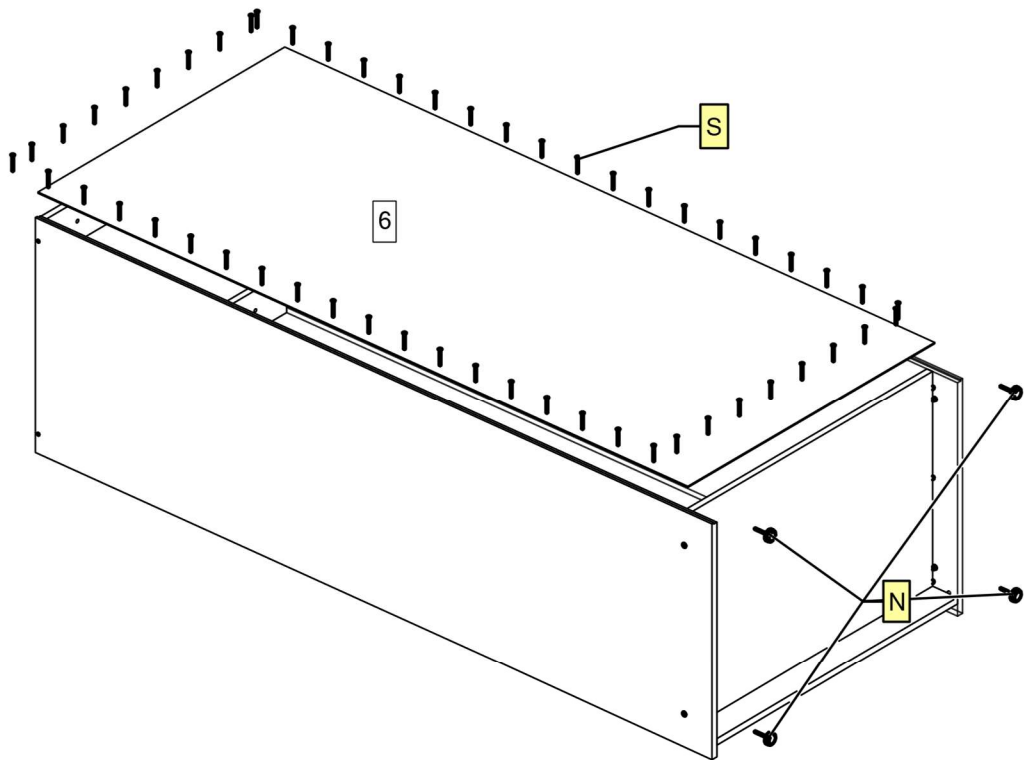
VIII



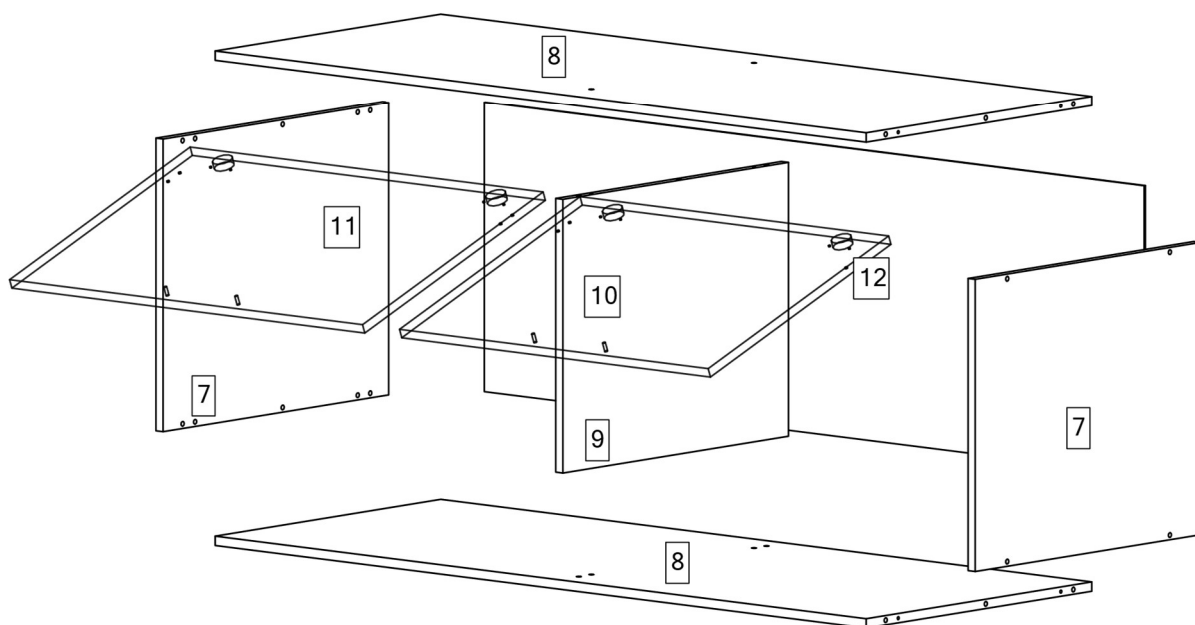
IX



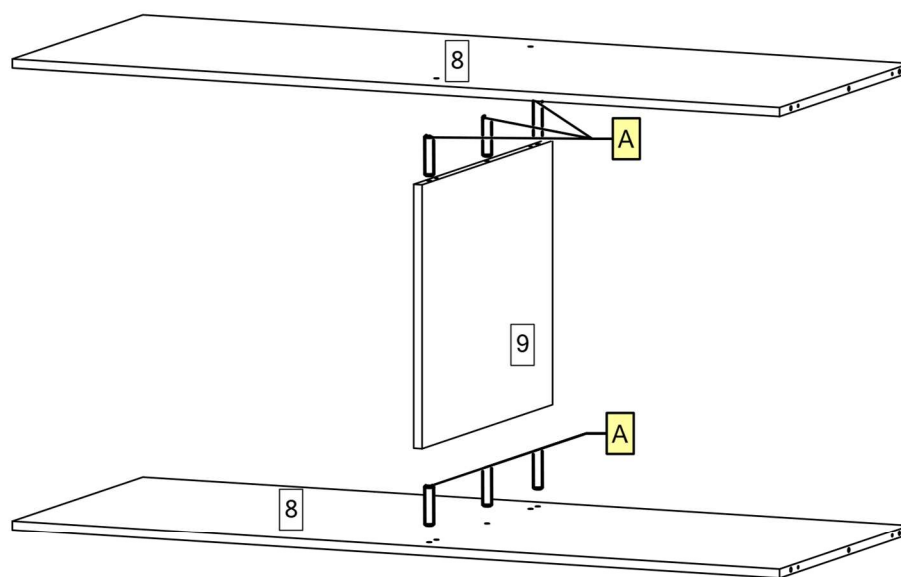
X



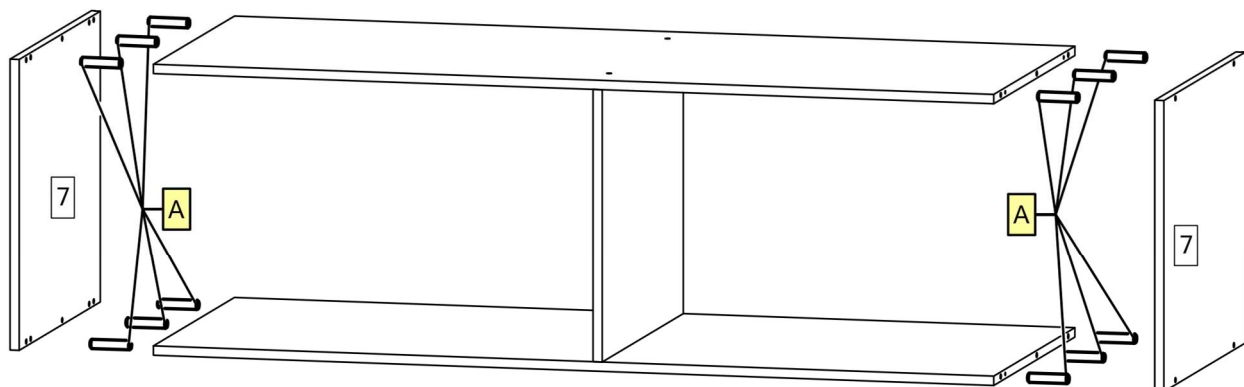
XI



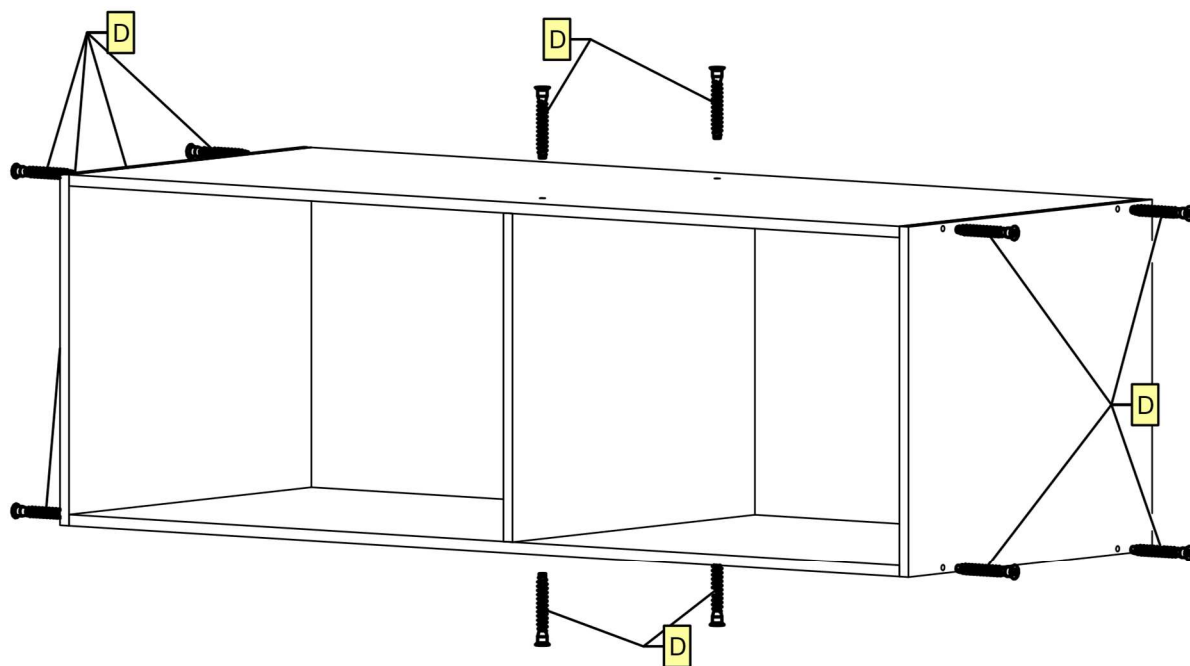
XII



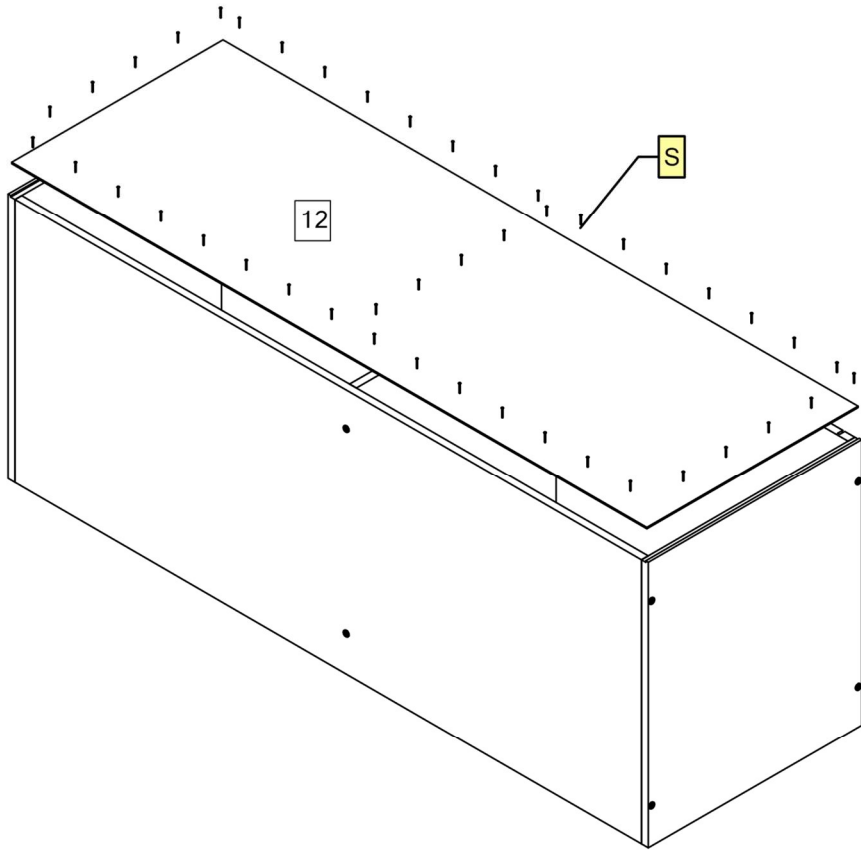
XIII



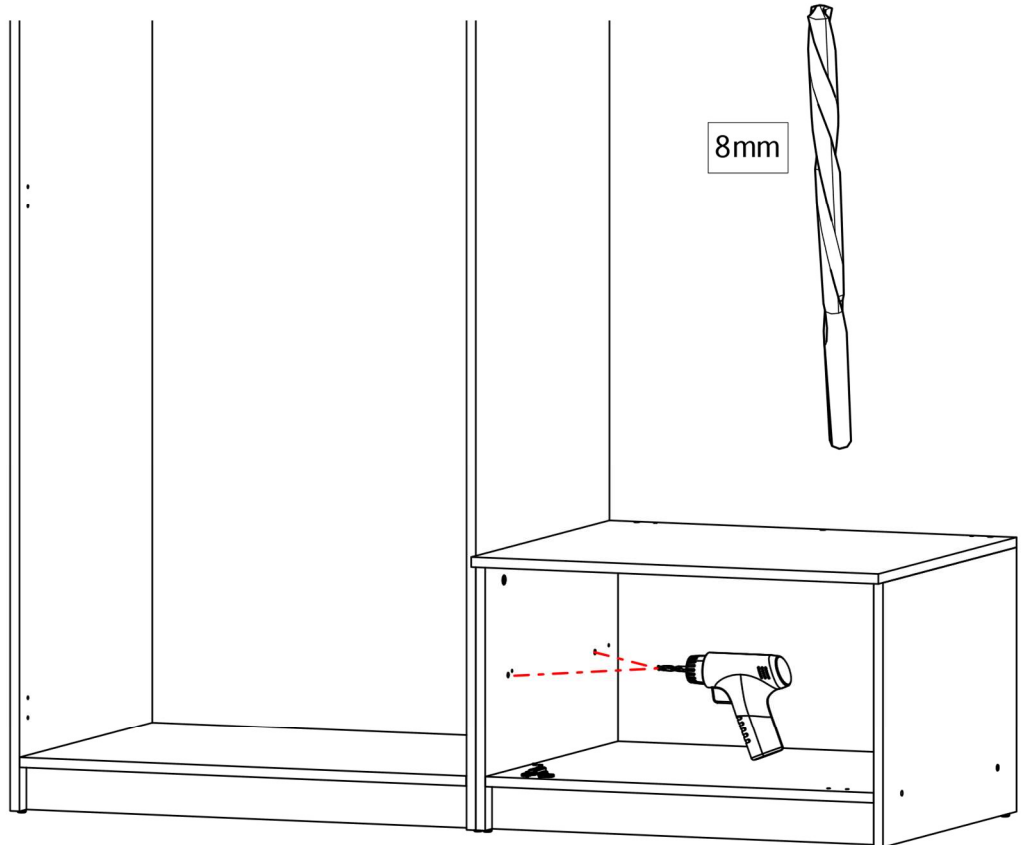
XIV



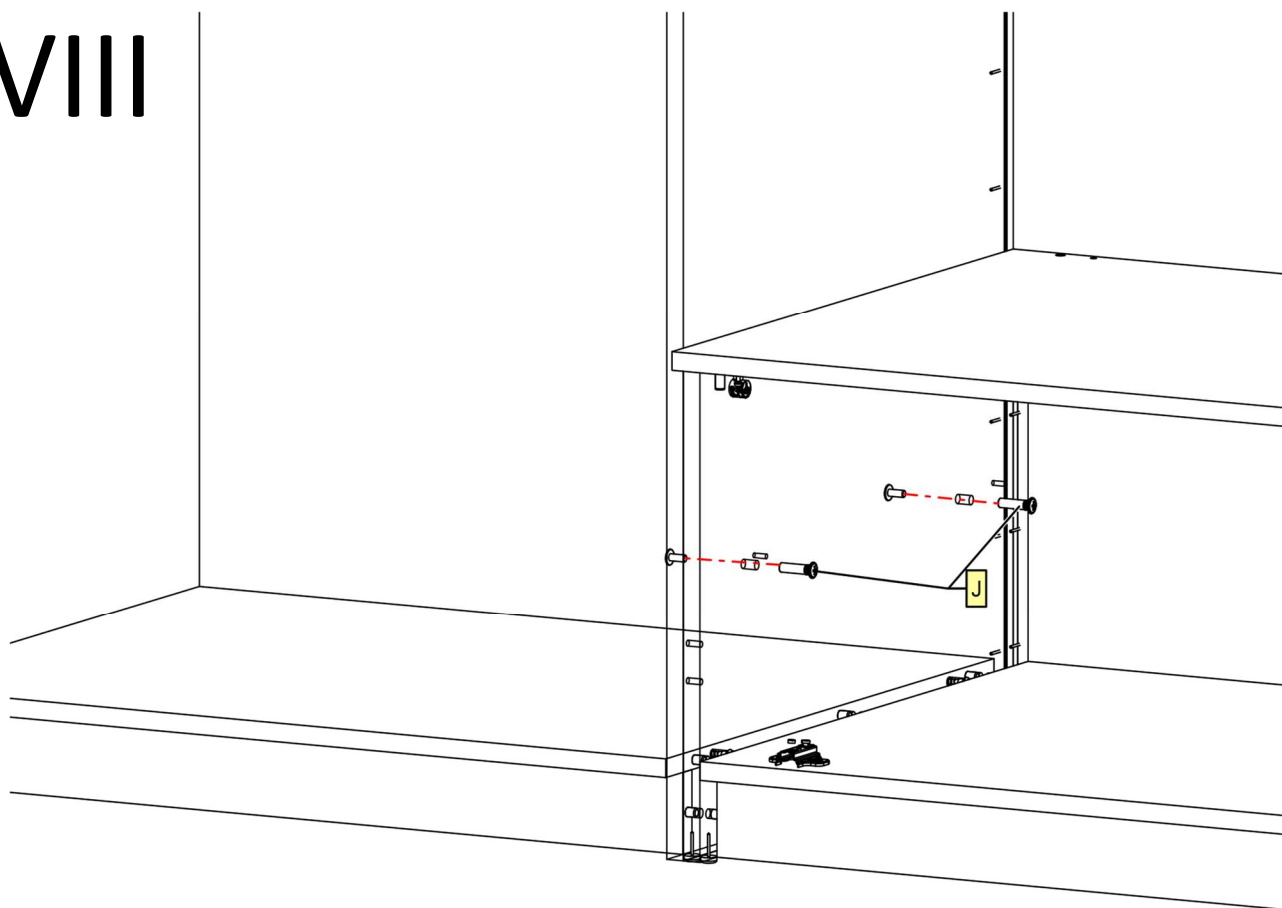
XV



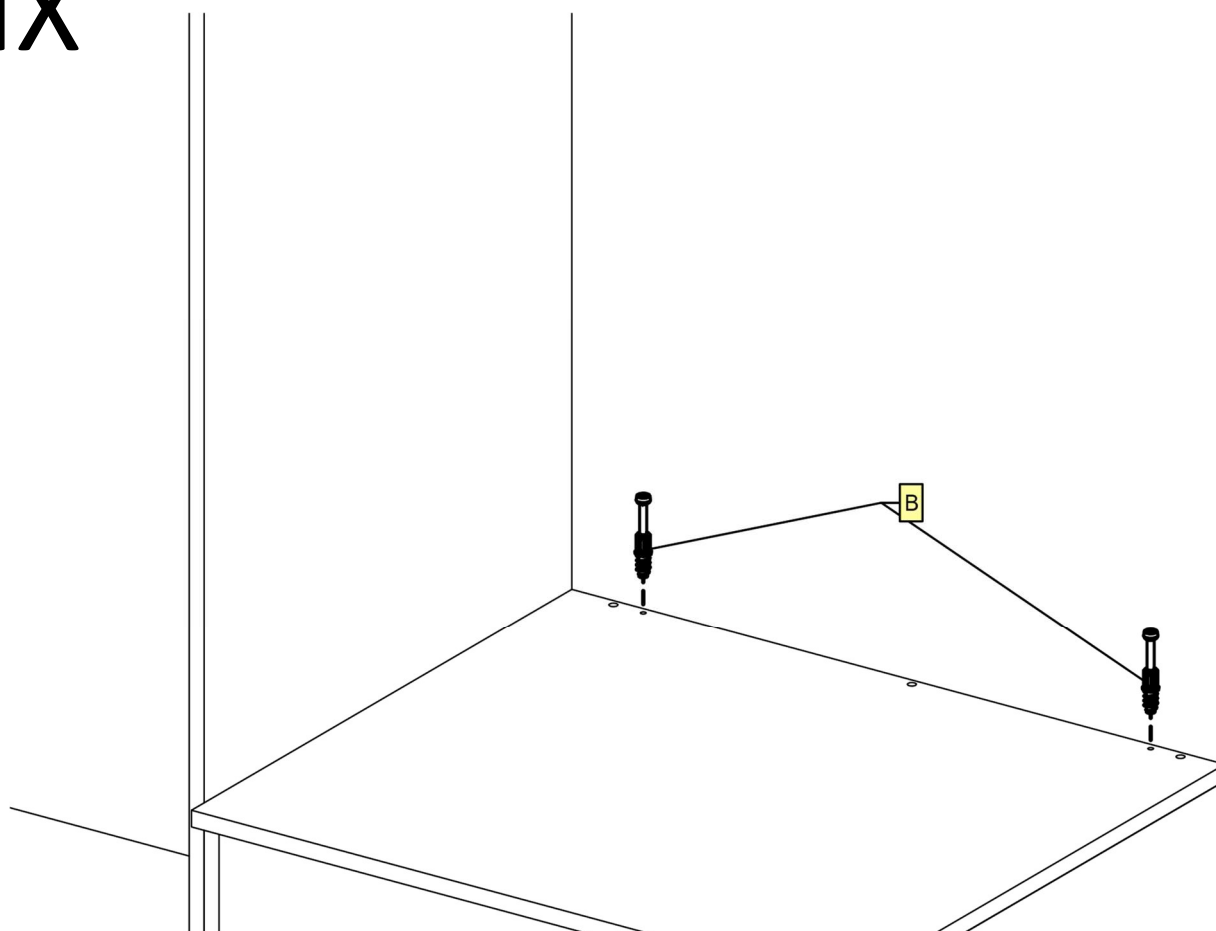
XVII



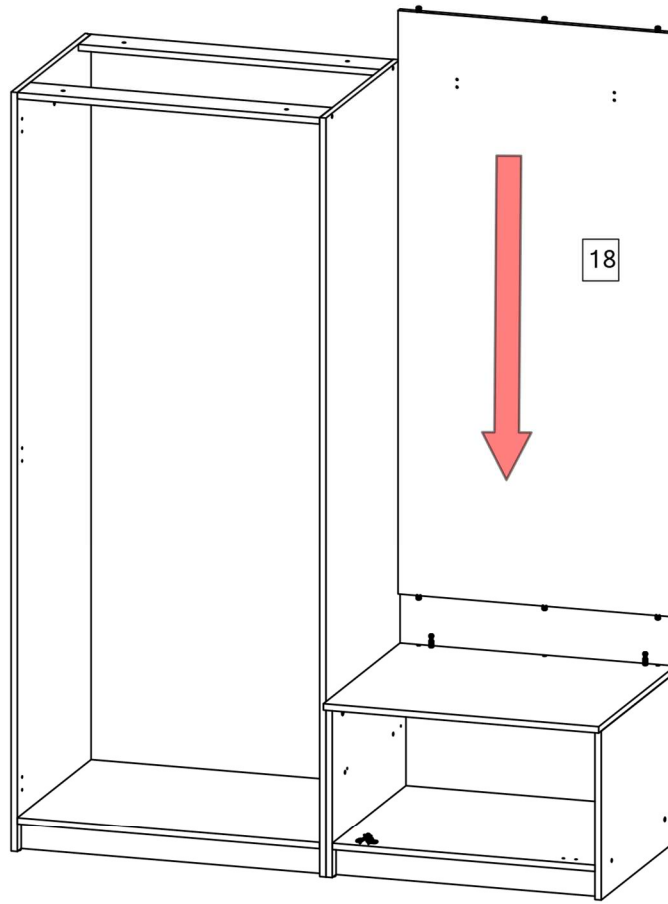
XVIII



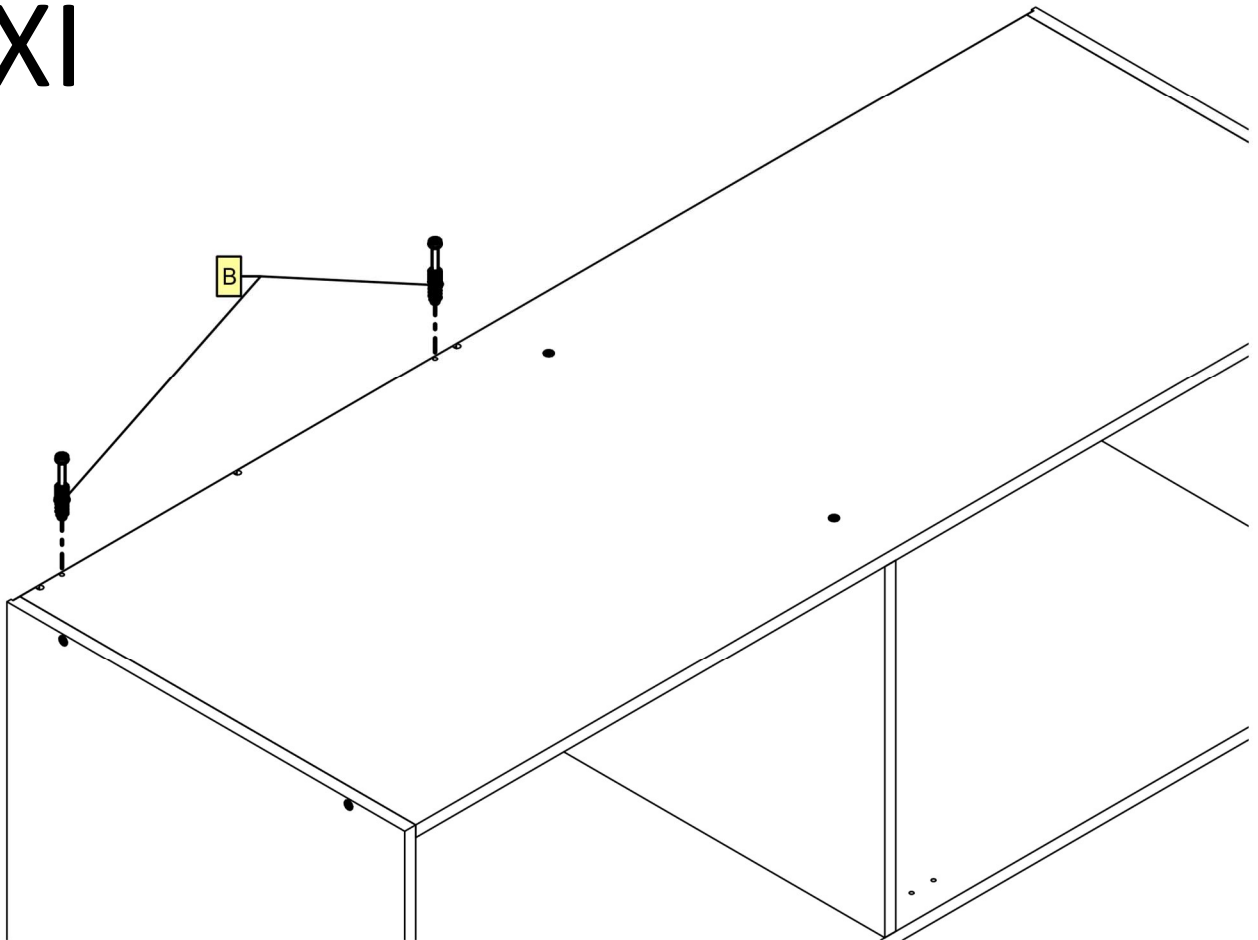
XIX



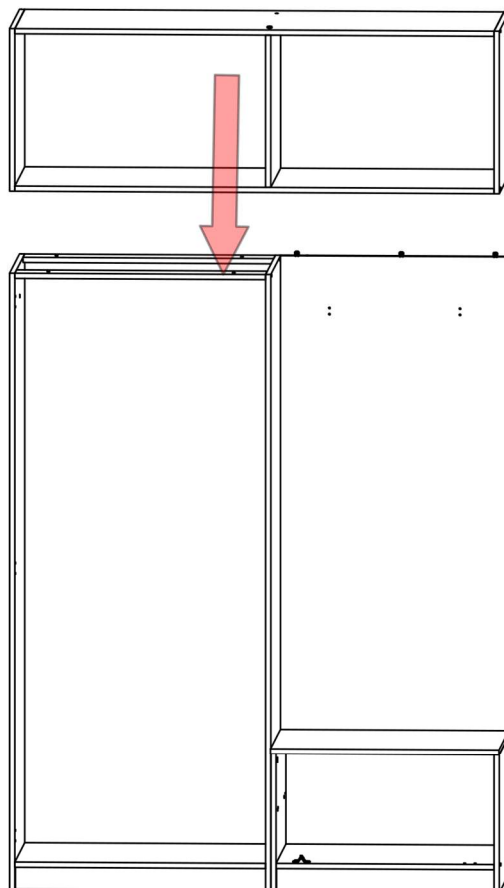
XX



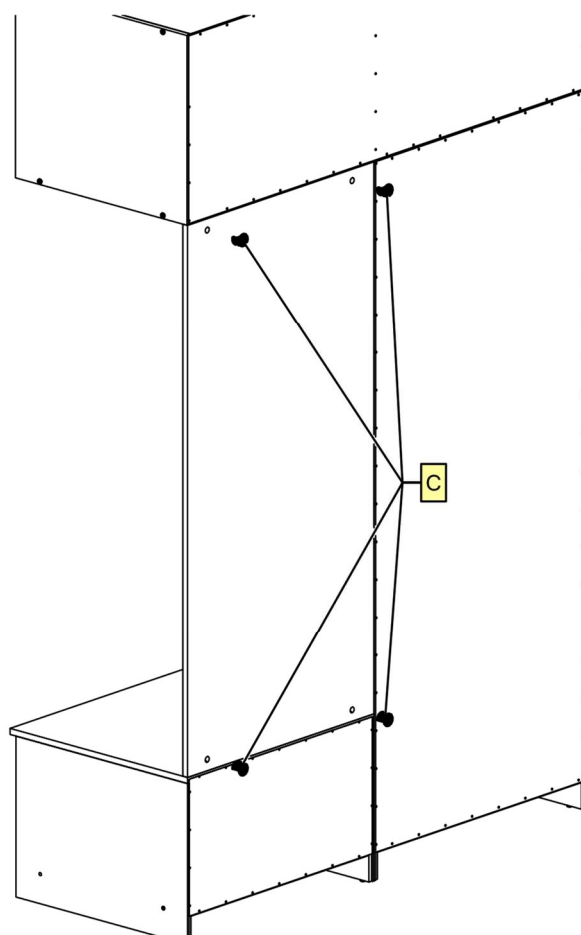
XXI



XXII

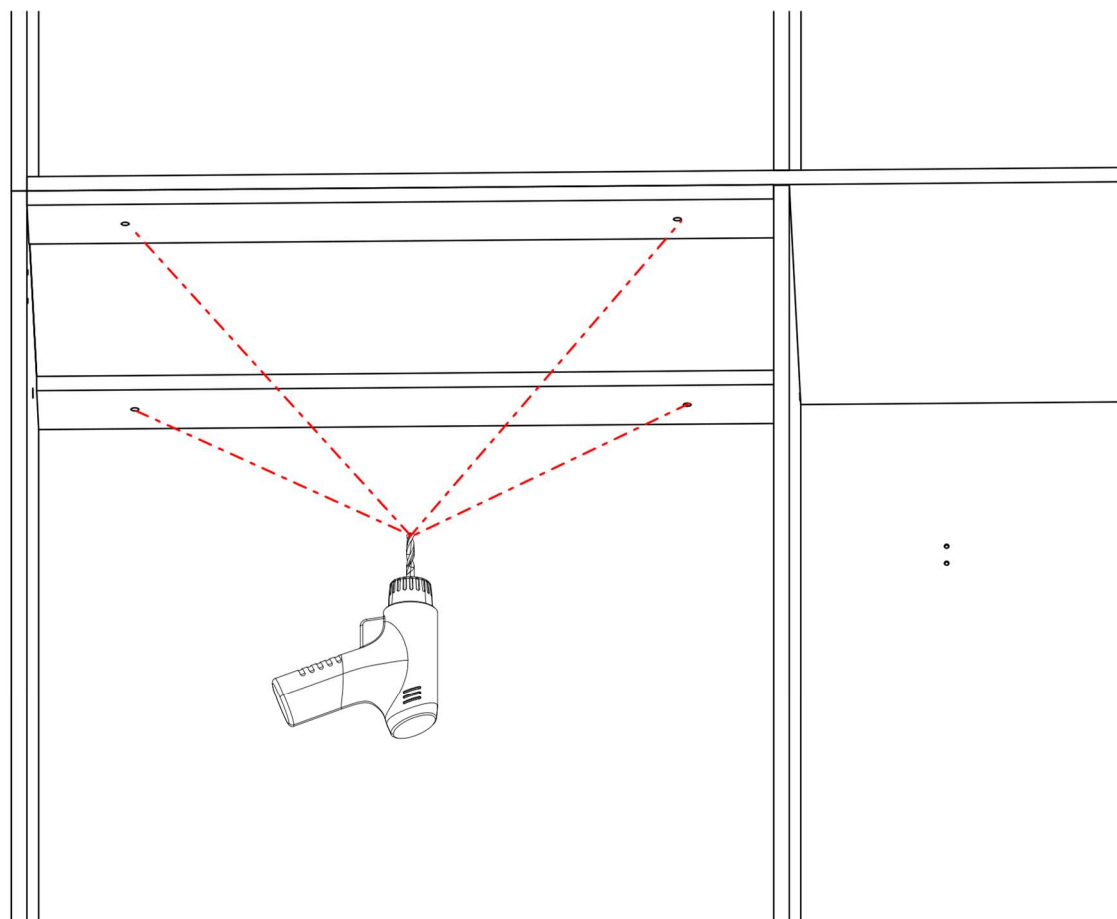


XXIII

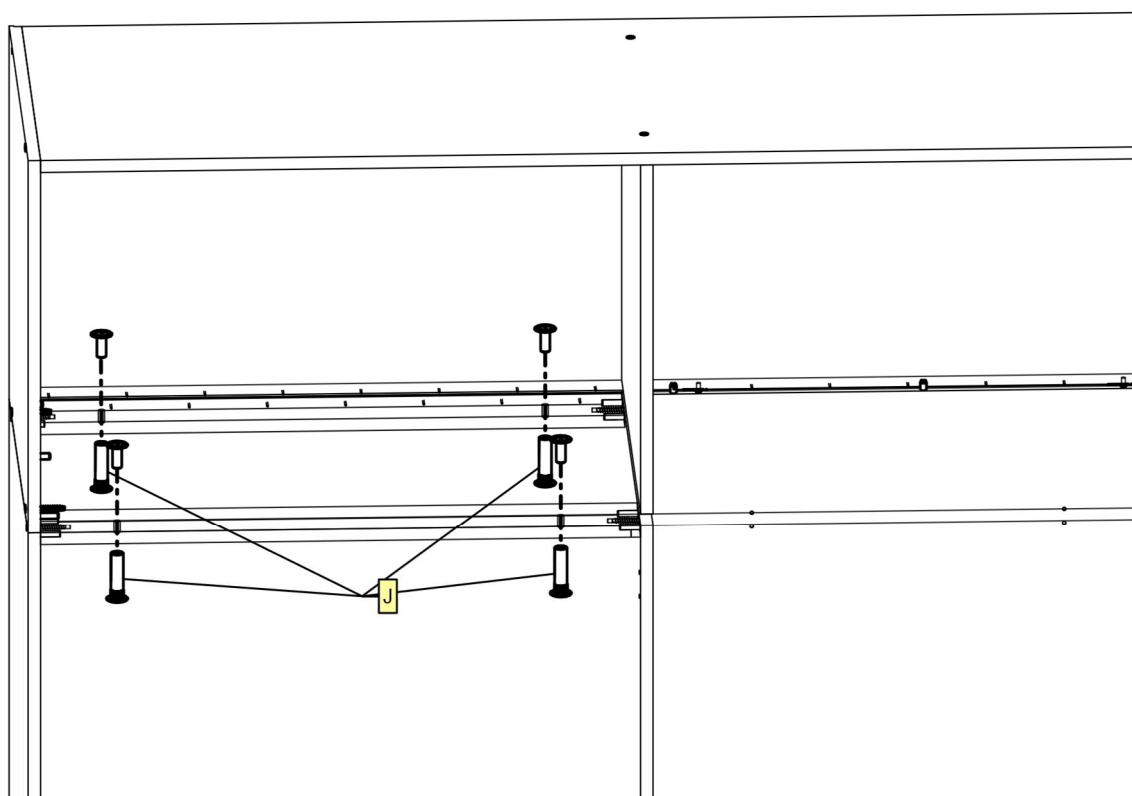


XXIII

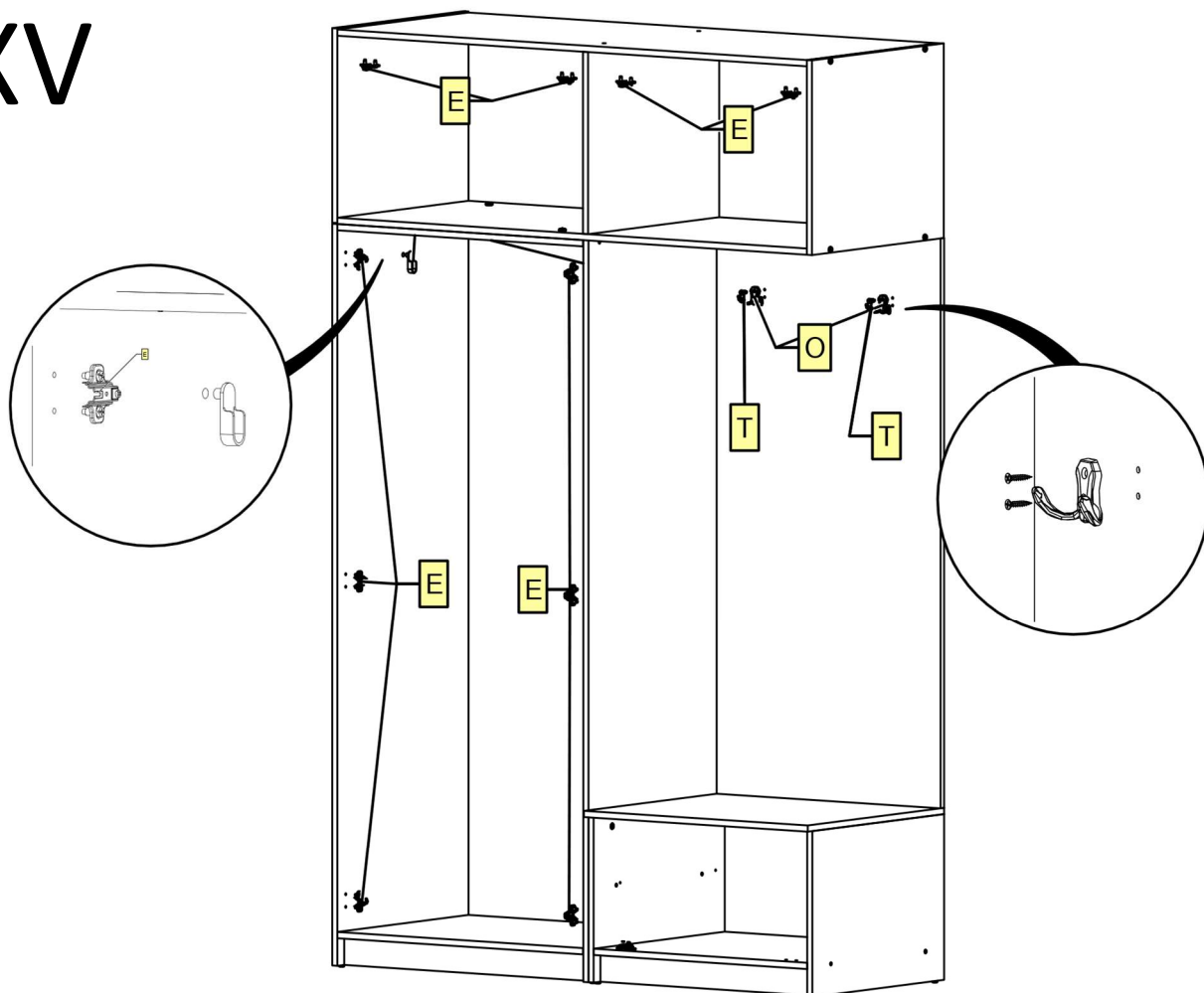
8mm



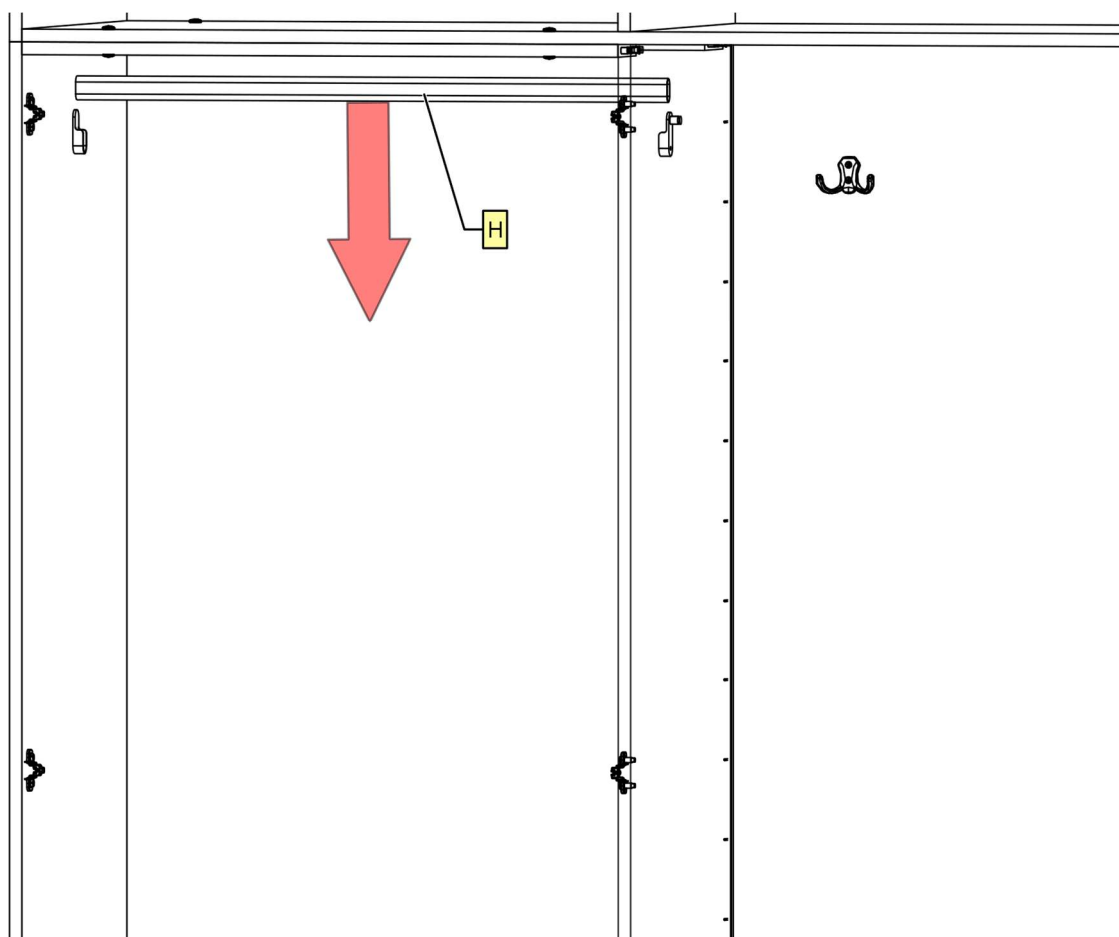
XXIV



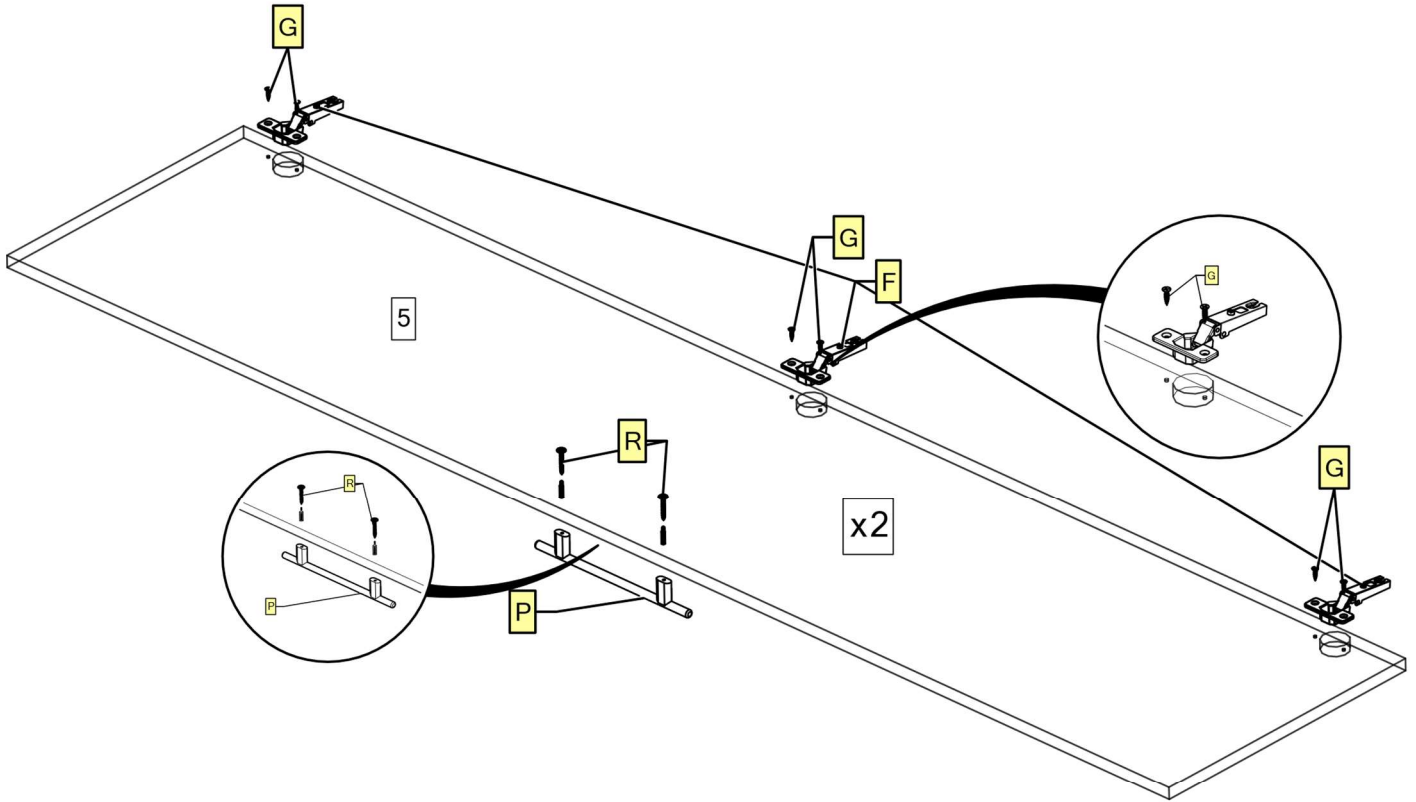
XXV



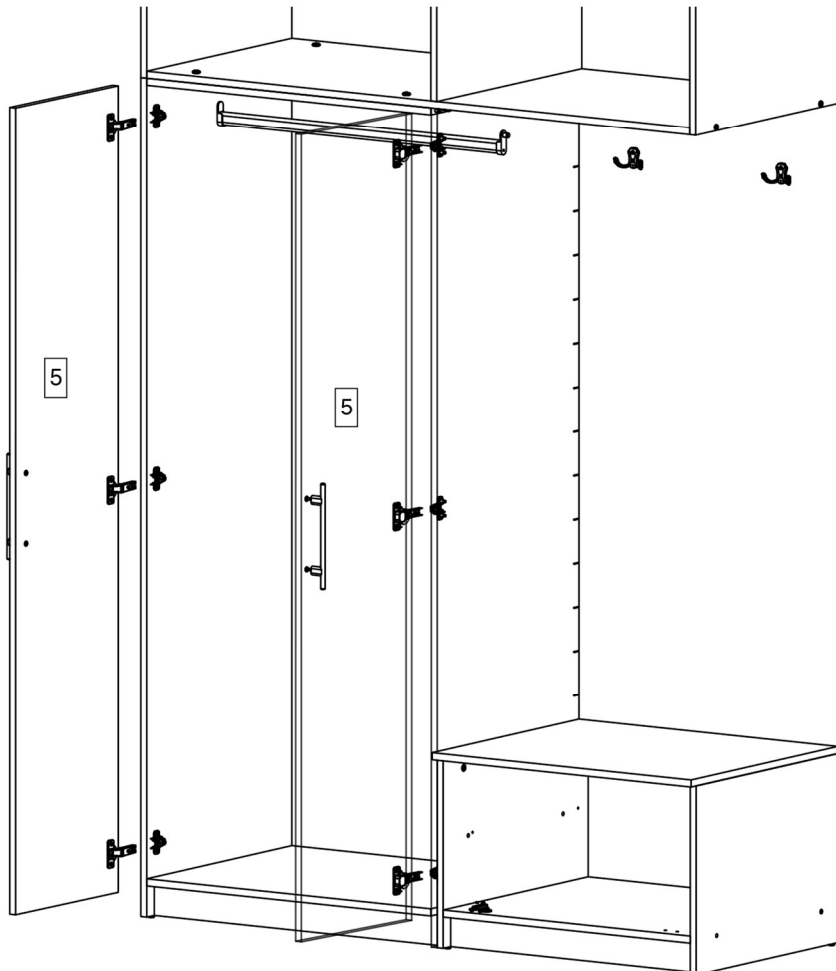
XXVI



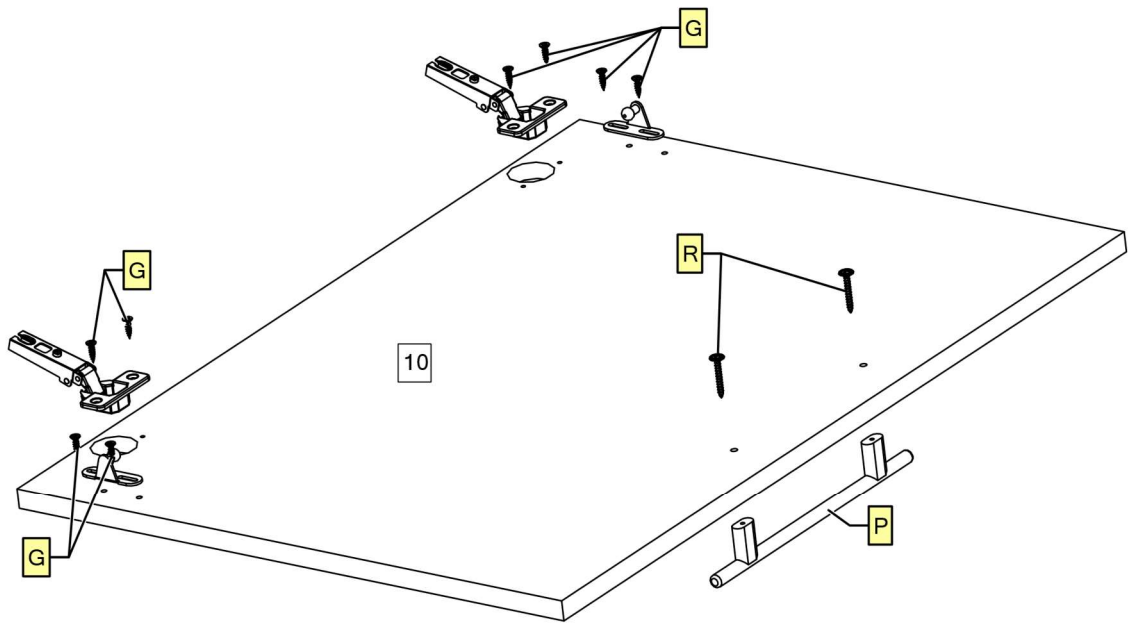
XXVII



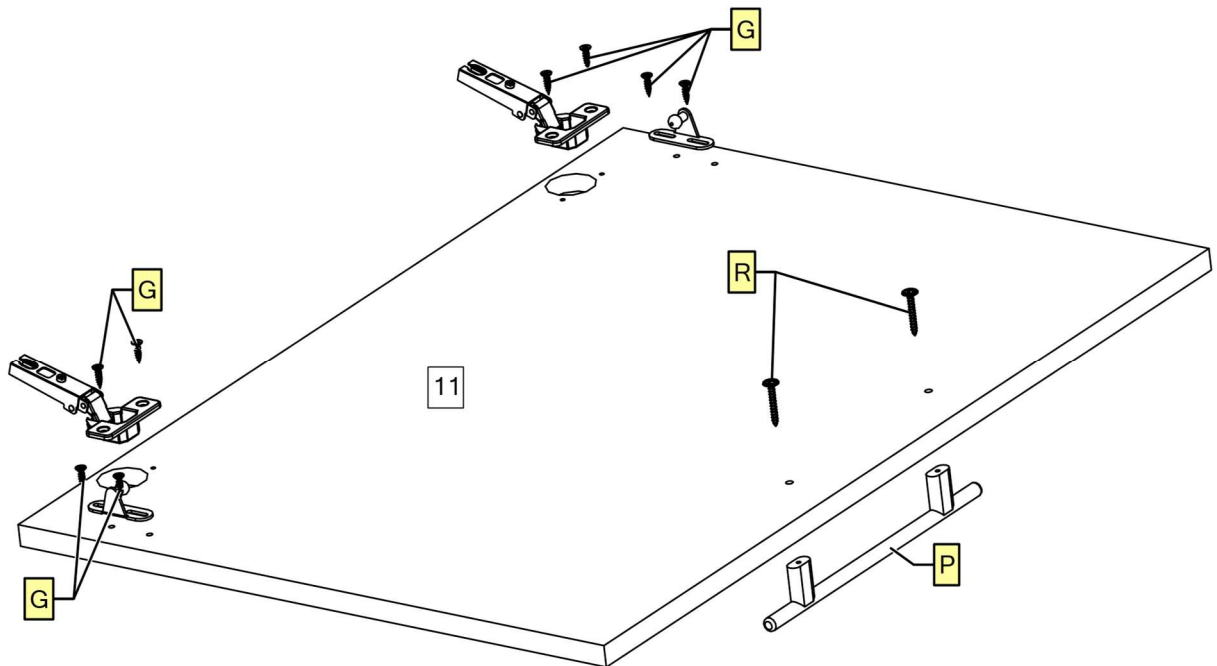
XXVIII



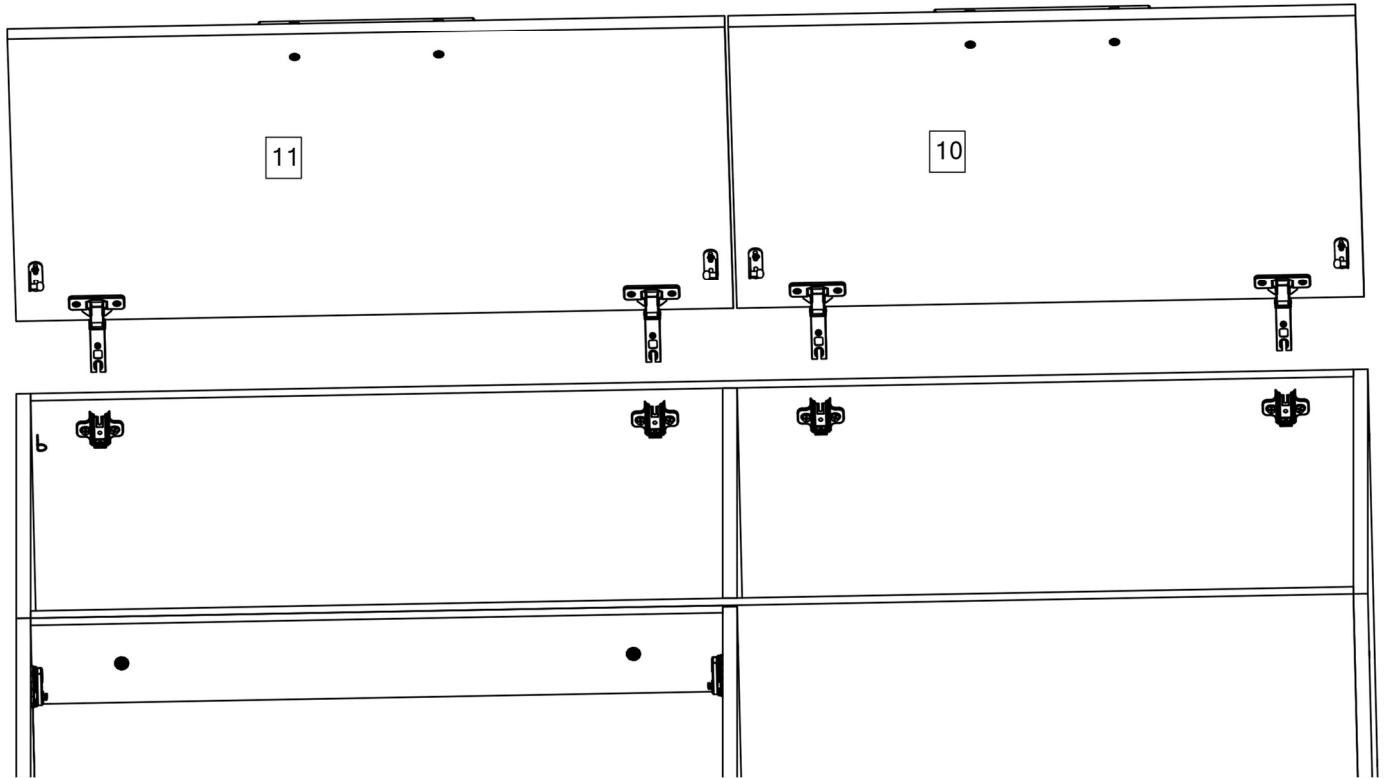
XXIX



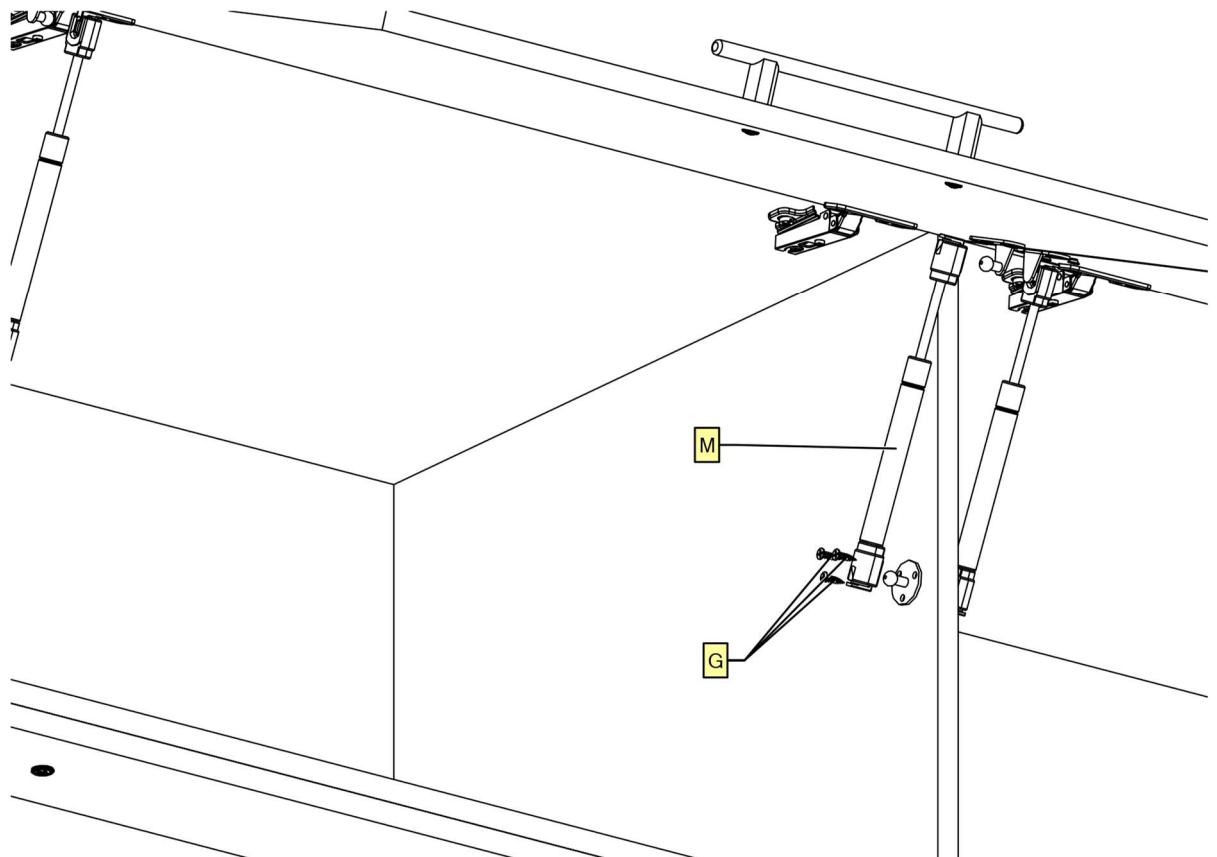
XXX



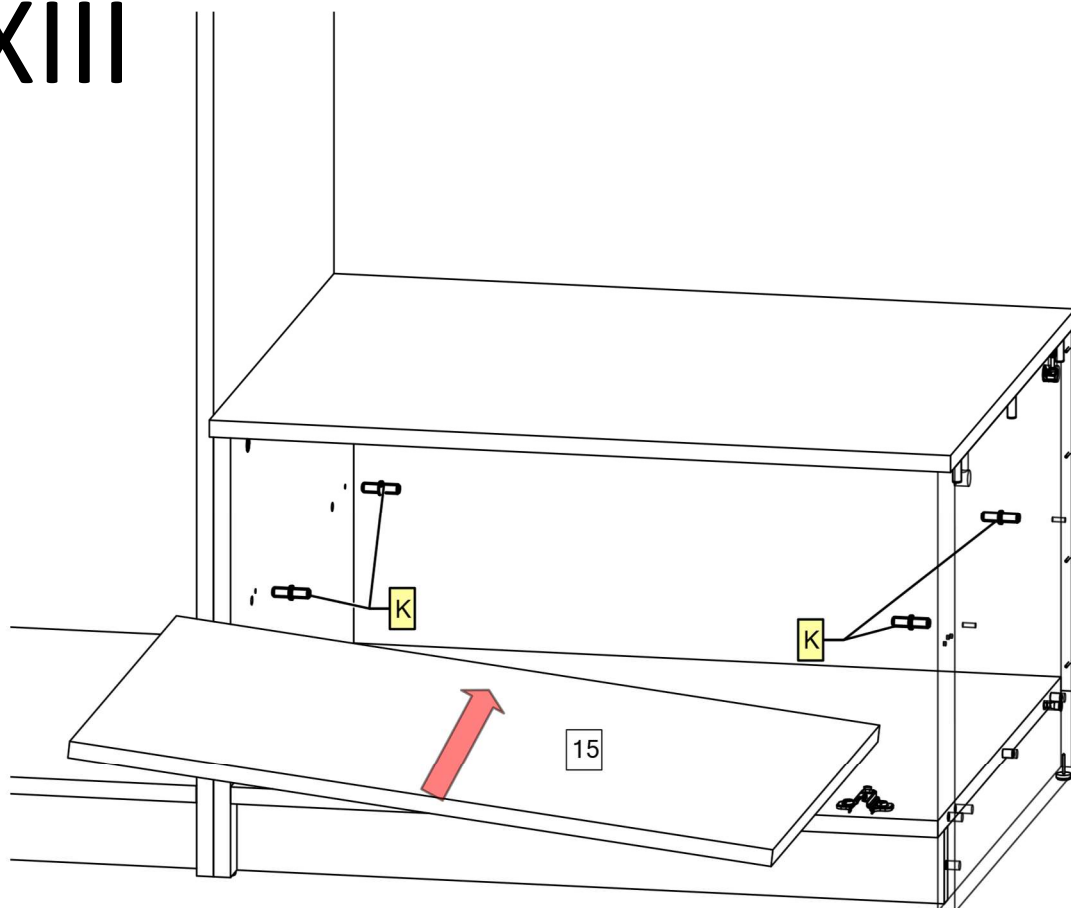
XXXI



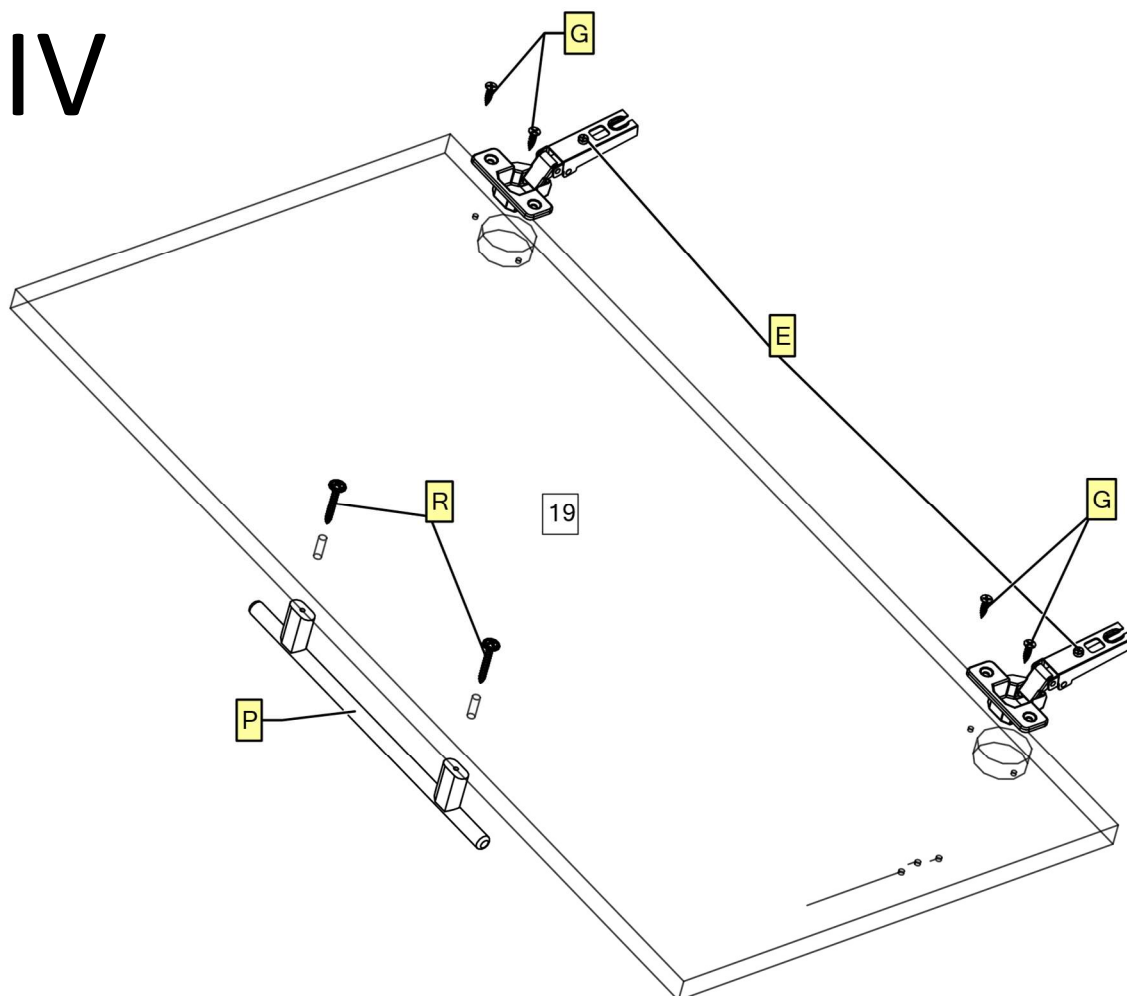
XXXII



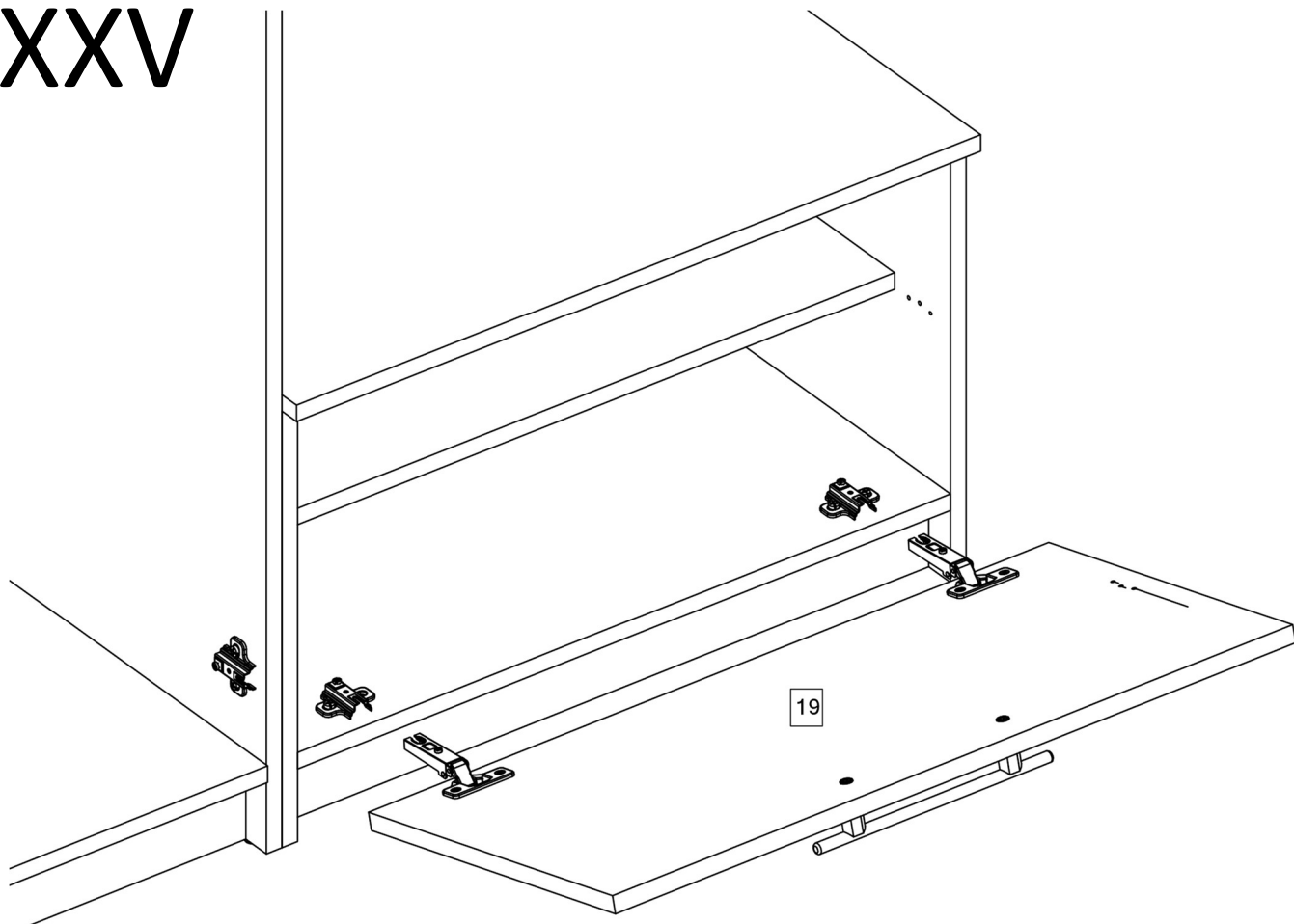
XXXIII



XXXIV



XXXV



XXXVI

