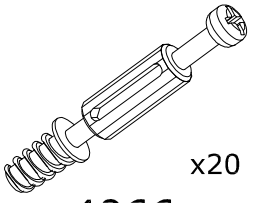


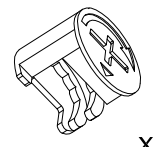
Ø6,5x36,5 mm



x20

4066

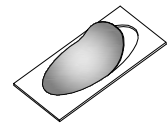
Ø15x12 mm



x20

3996

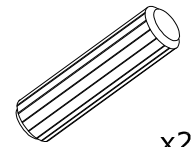
Ø20 mm



x20

136239

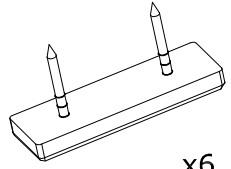
Ø8x30 mm



x26

3989

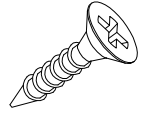
45x15x5 mm



x6

90907

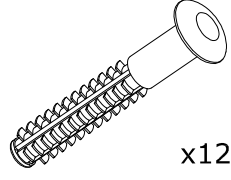
Ø3,5x16 mm



x12

3918

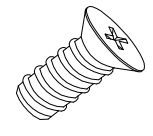
Ø12x42 mm



x12

IN01157

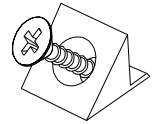
Ø6,0x13 mm



x12

3877

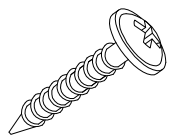
15x14x11 mm



x9

4044

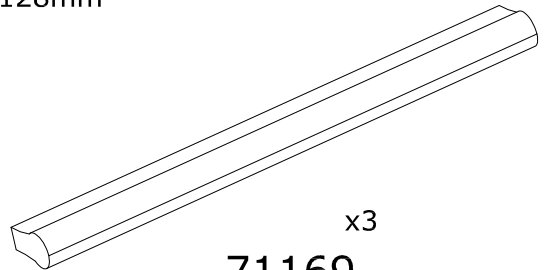
Ø4,0x25 mm



x6

3892

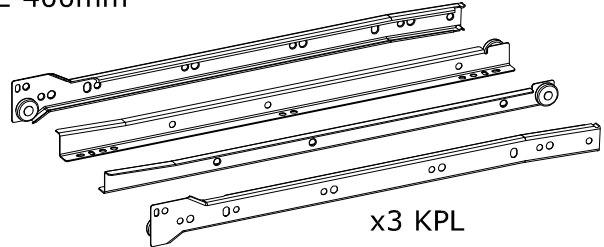
L-128mm



x3

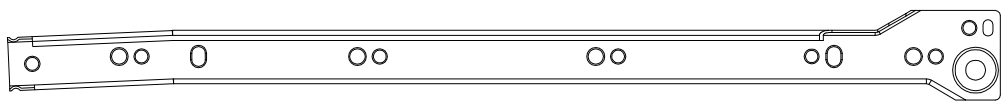
71169

L-400mm



x3 KPL

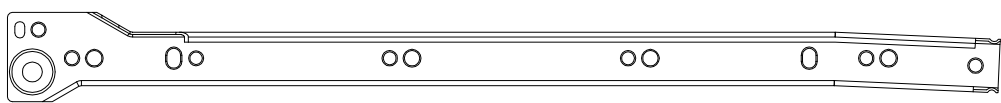
3806



(P)



(P2)



(L)

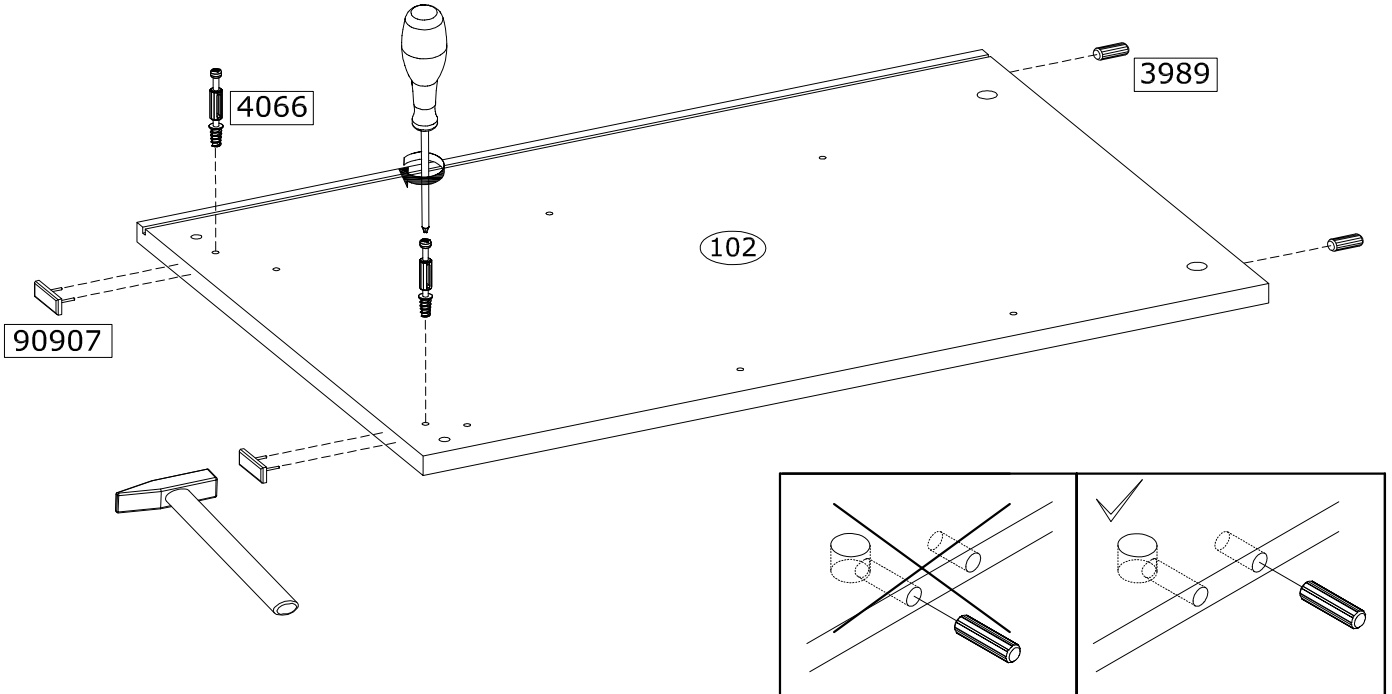
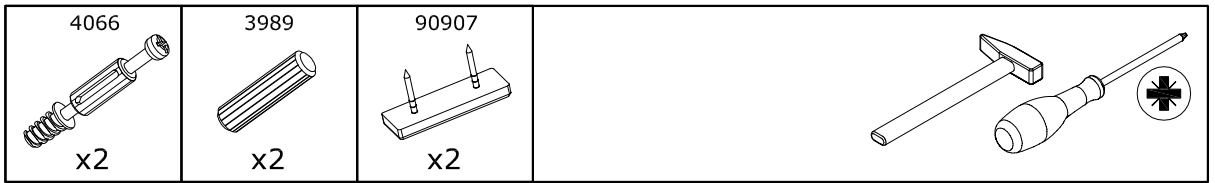


(L2)

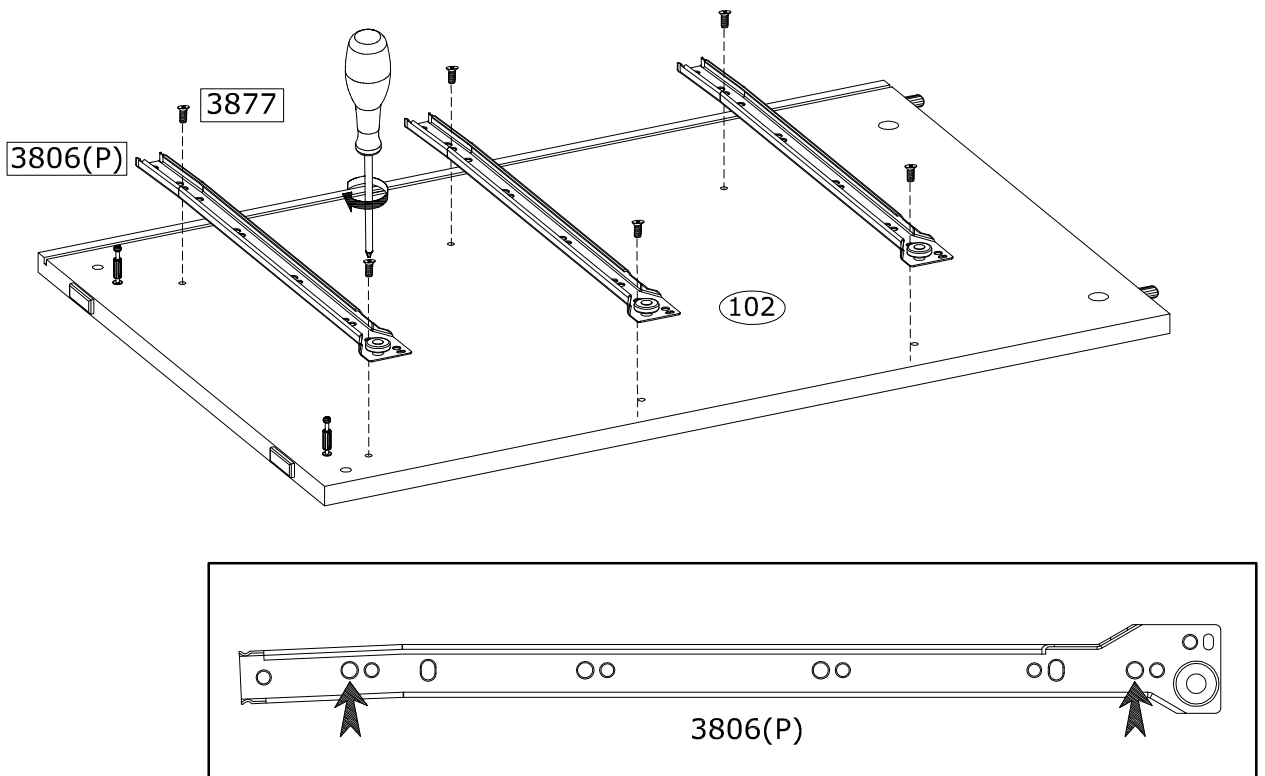
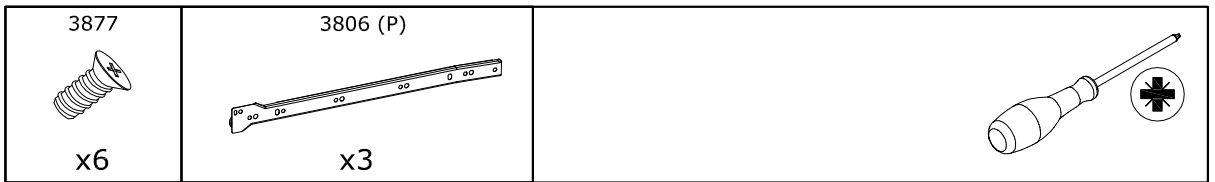
3806



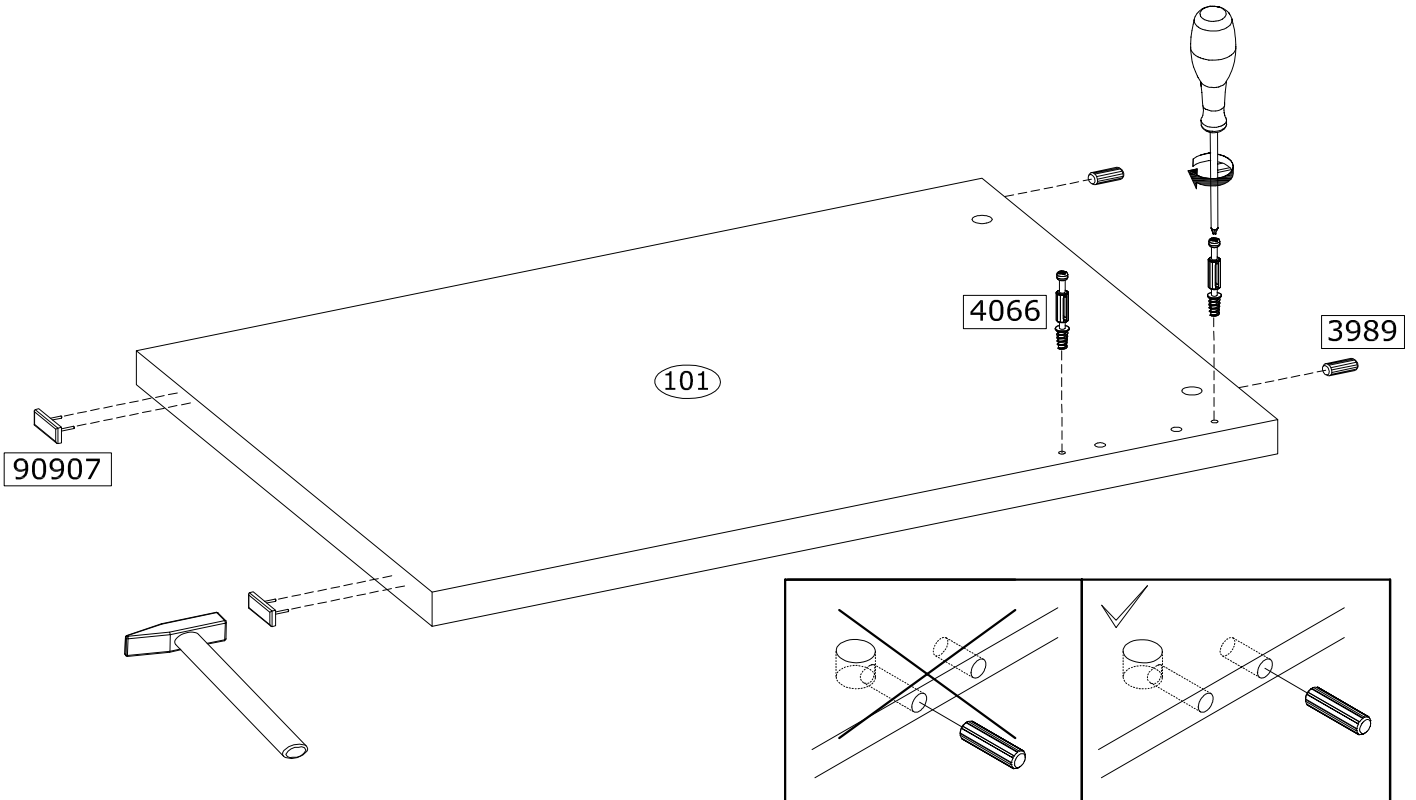
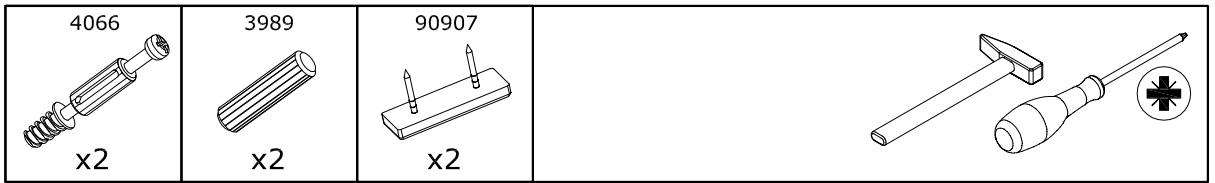
1



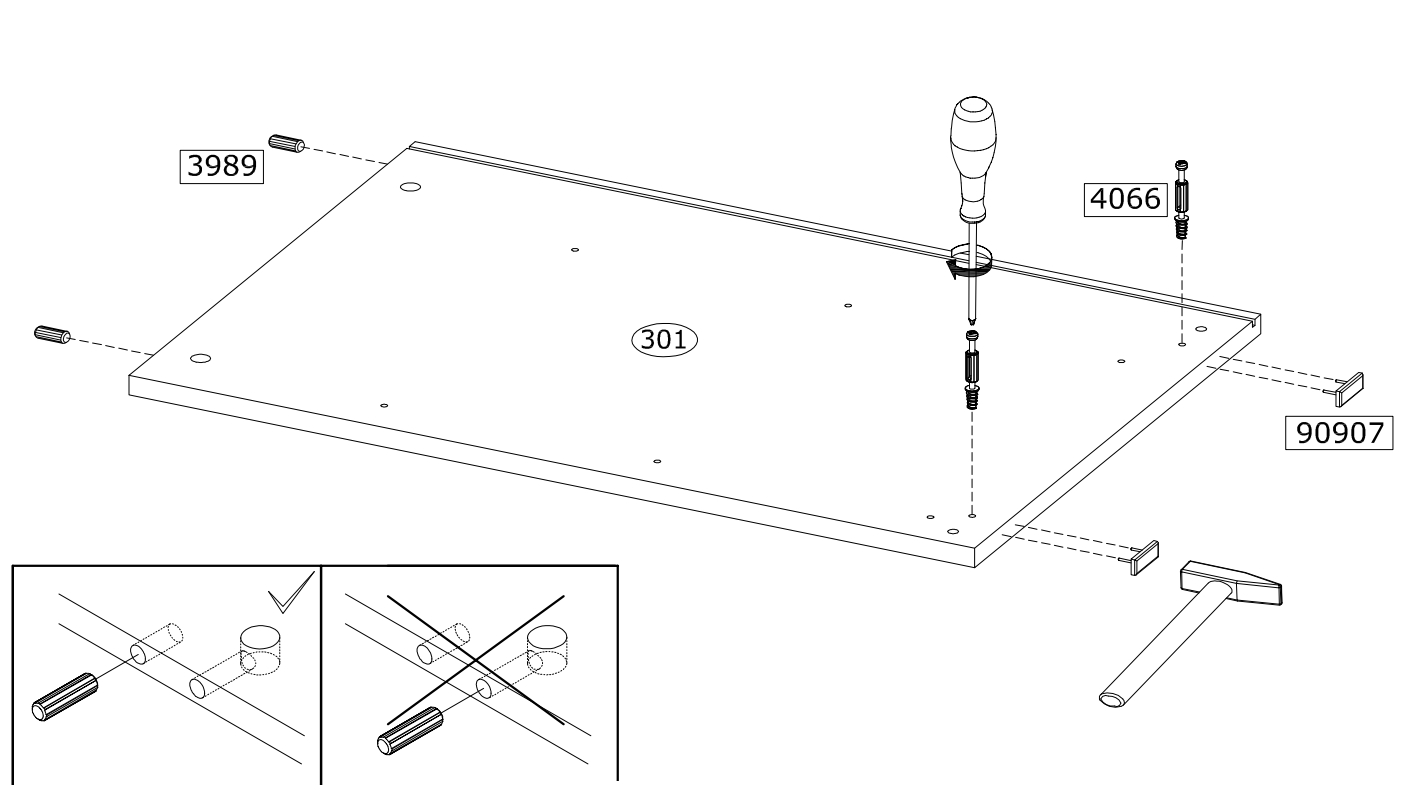
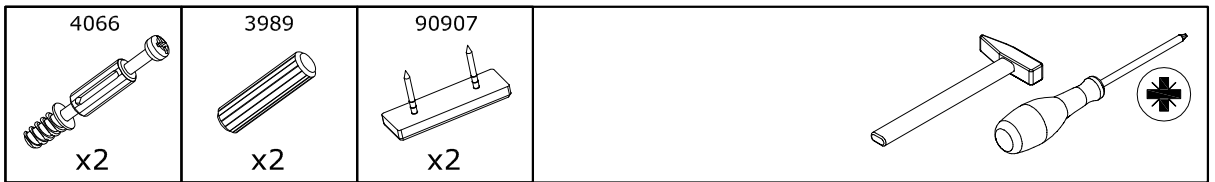
2



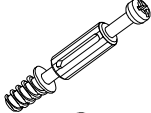


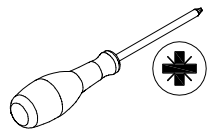
3

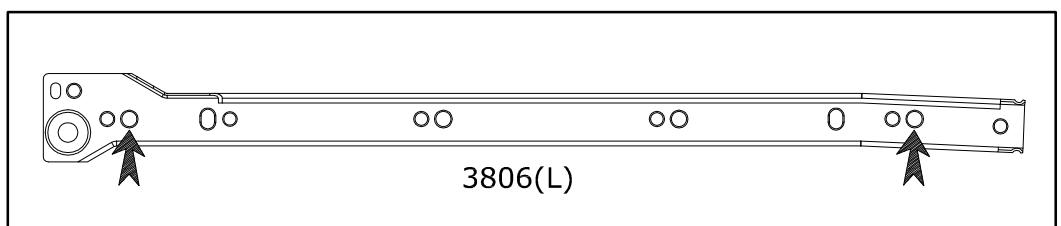
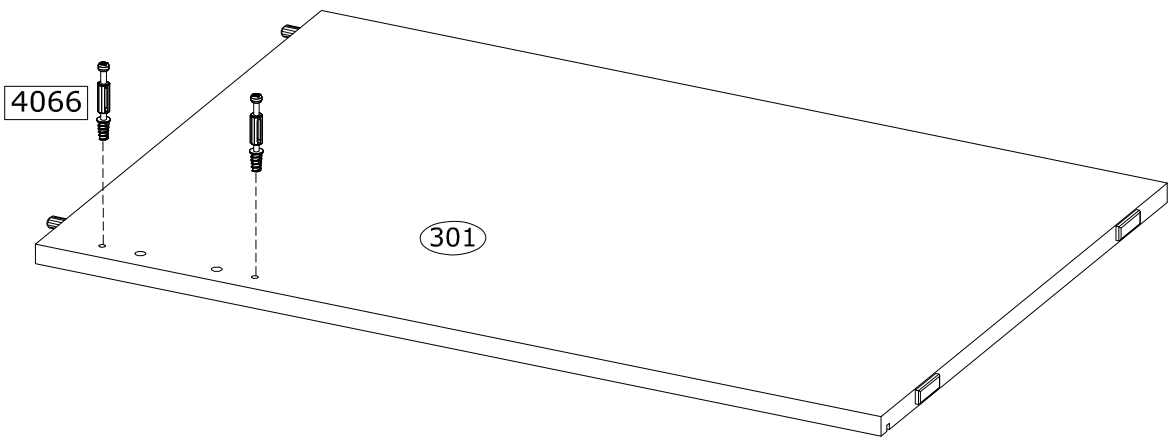
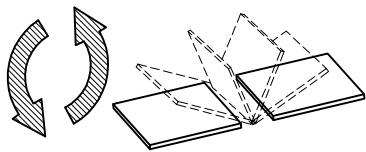
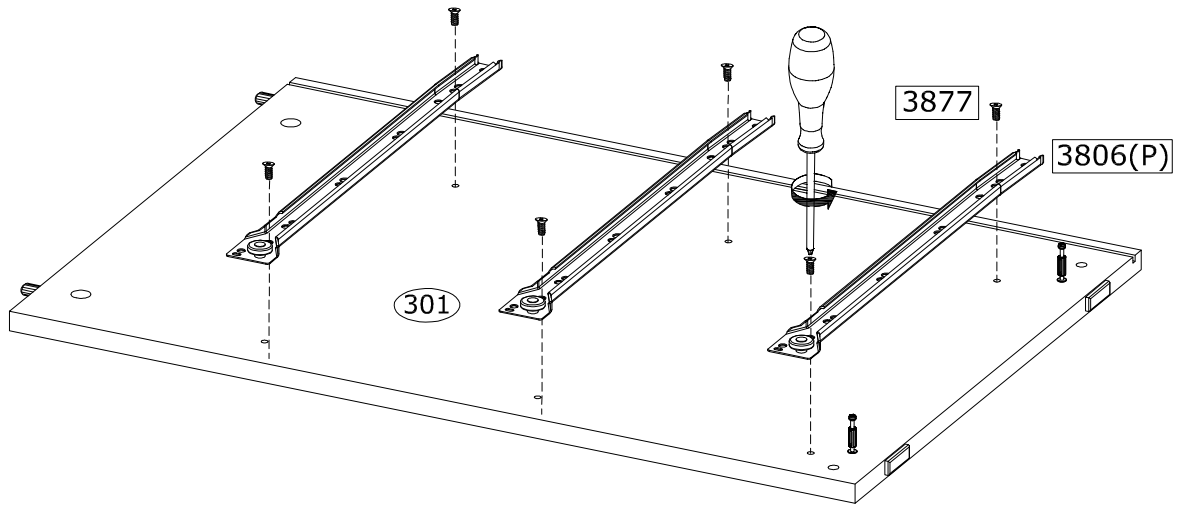


4

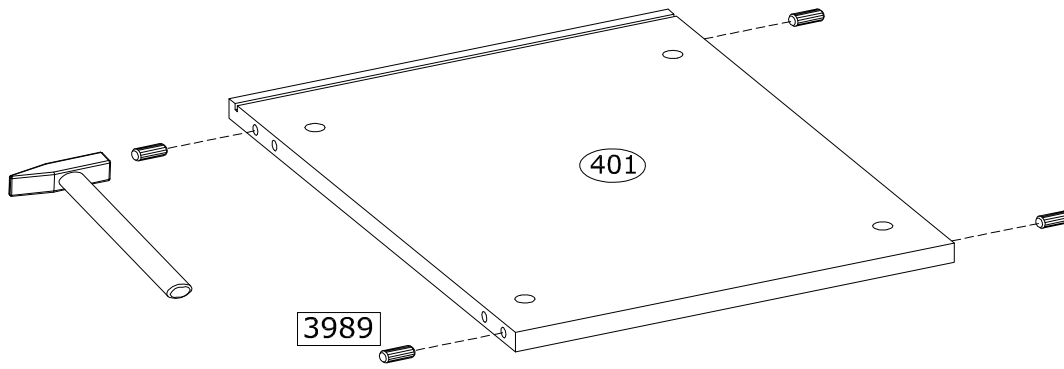


5

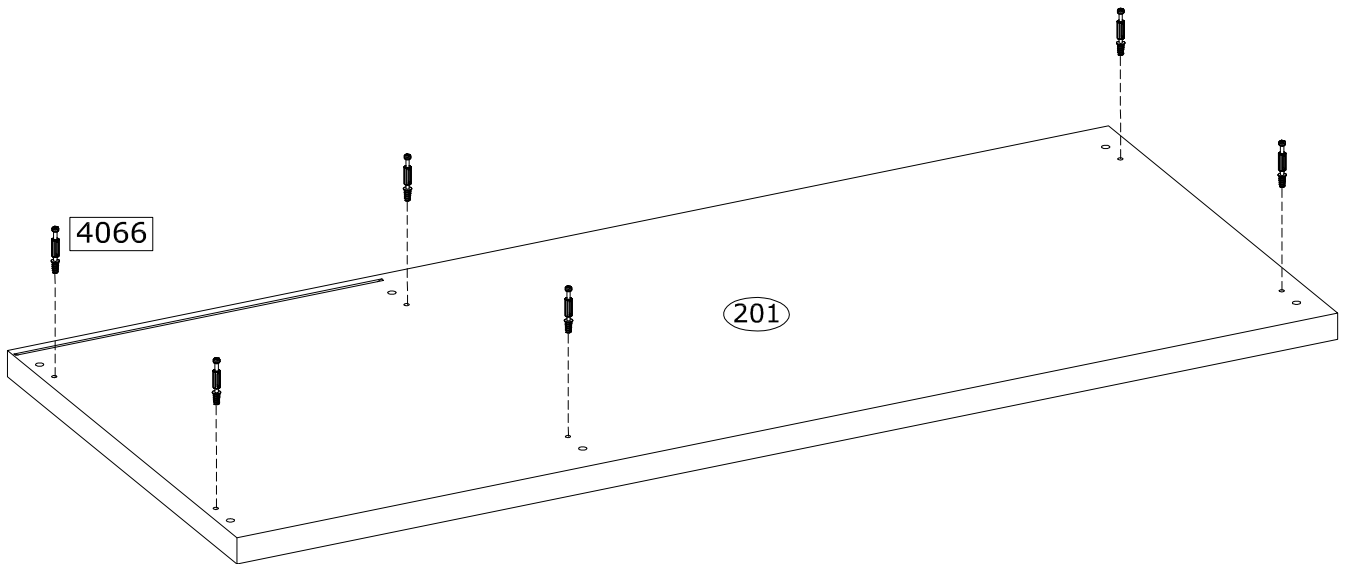
<p>4066  x2</p>	<p>3877  x6</p>	<p>3806 (L)  x3</p>	
----------------------------------------------------------------------------------------------------------	----------------------------------------------------------------------------------------------------------	--------------------------------------------------------------------------------------------------------------	-------------------------------------------------------------------------------------



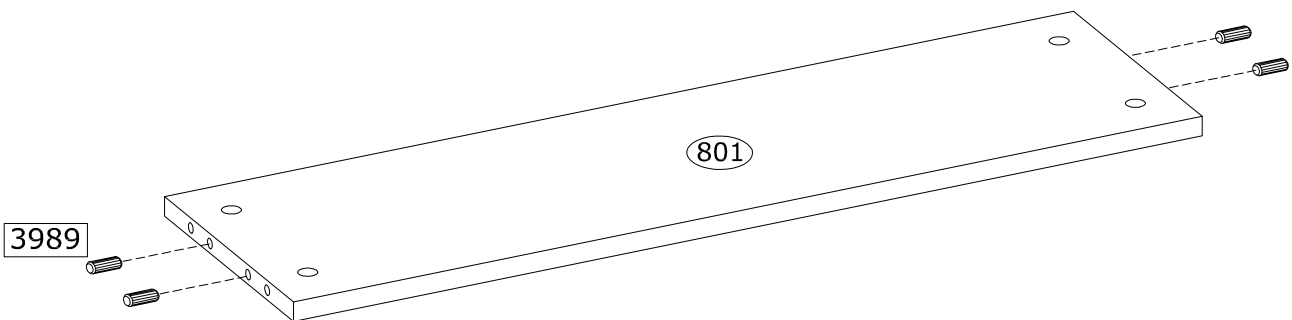
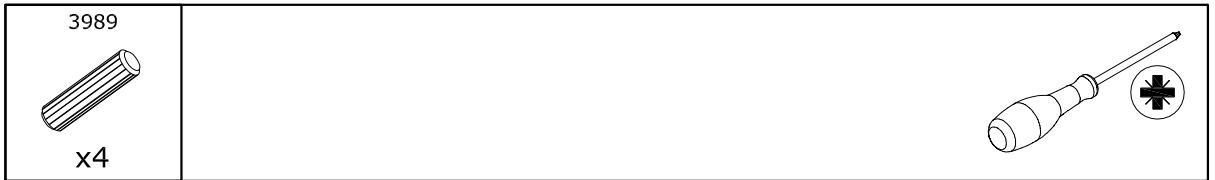
6



7



8

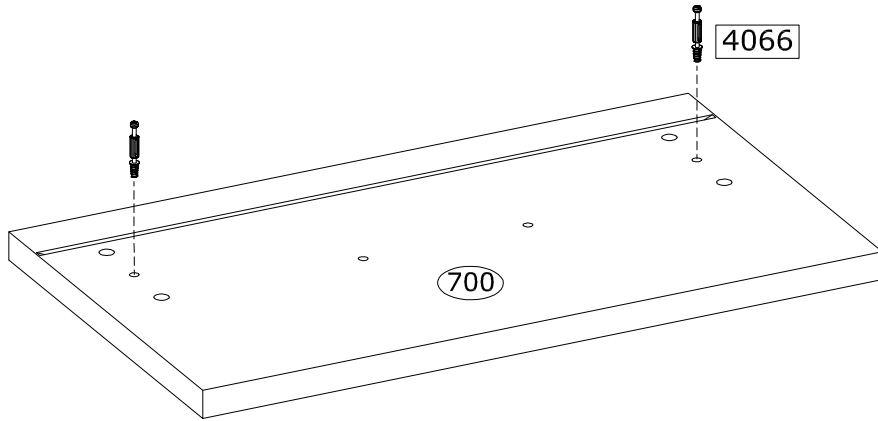




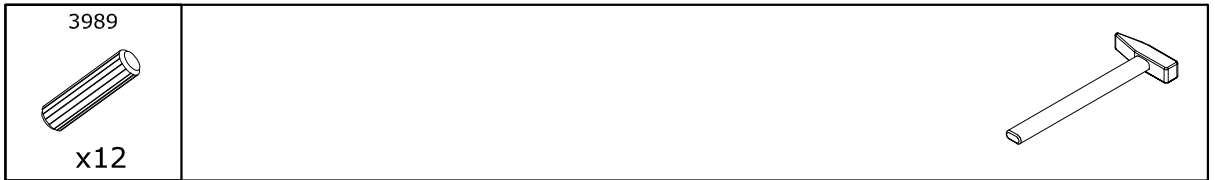
9



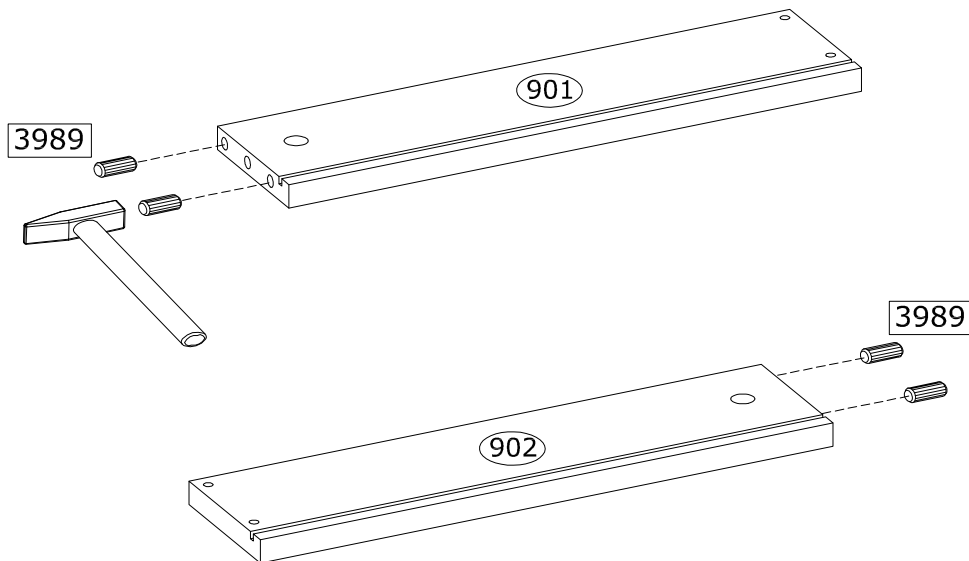
x3



10

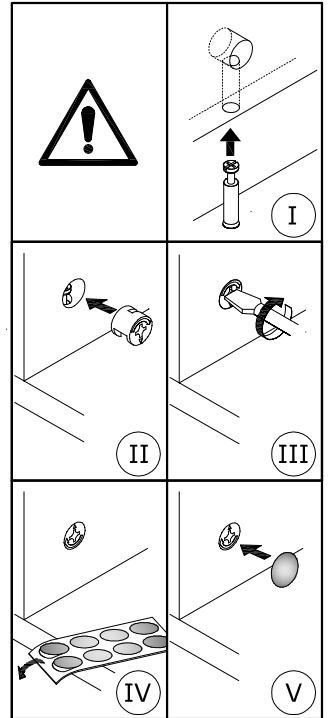
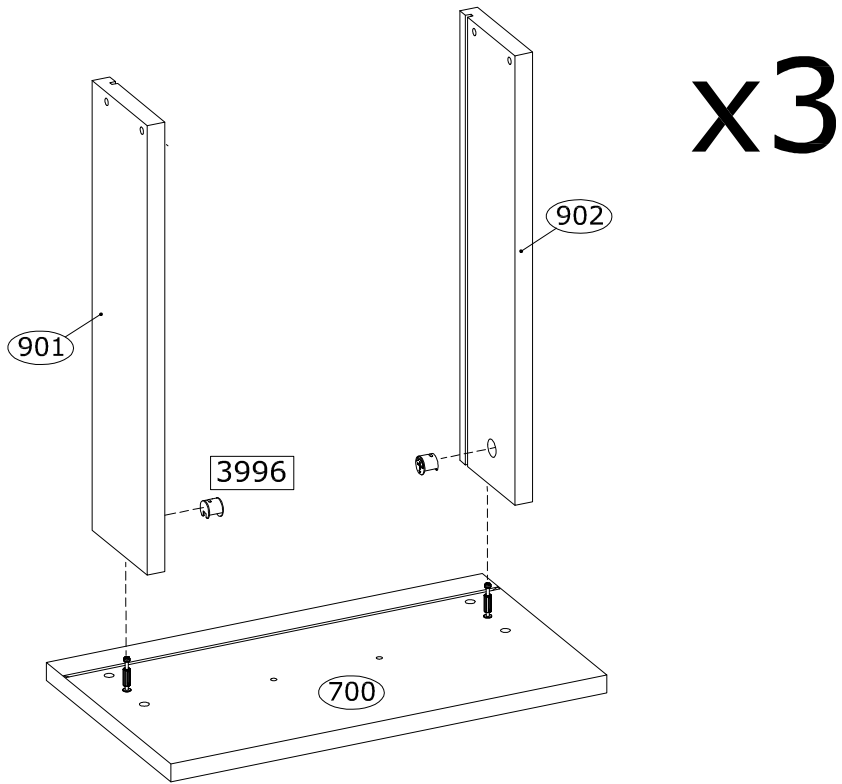


x3

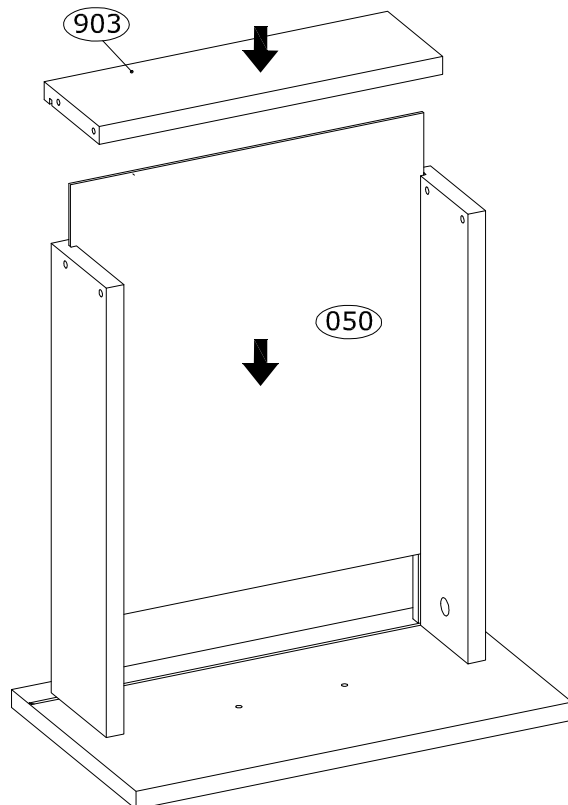
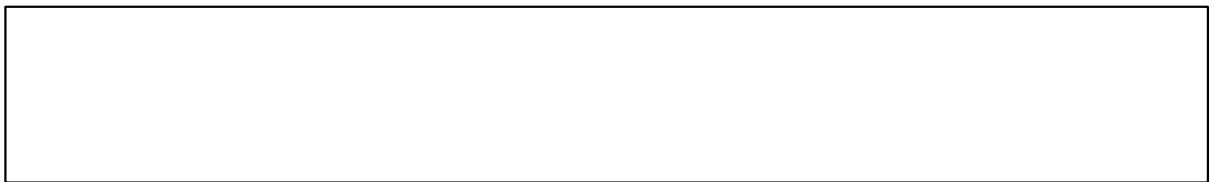


11

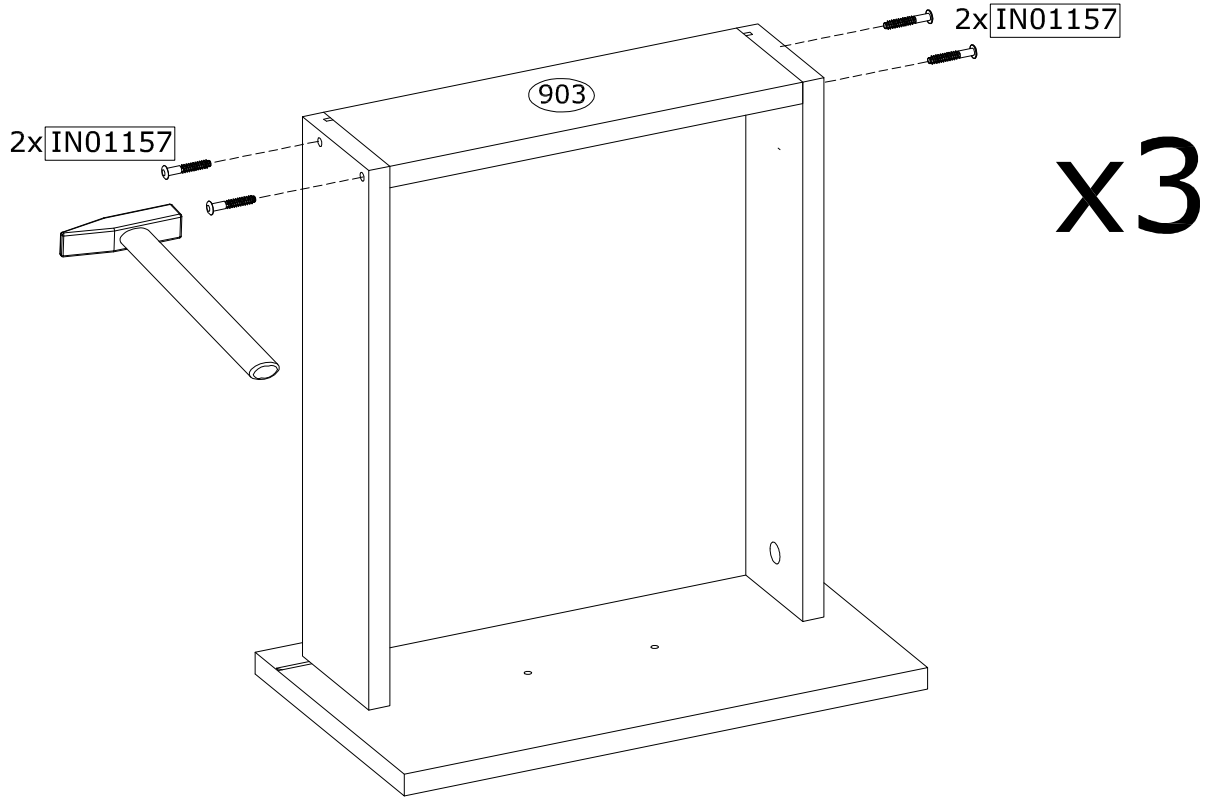
<p>3996</p>  <p>x6</p>	<p>136239</p>  <p>x6</p>	
---------------------------------------------------------------------------------------------------------	-----------------------------------------------------------------------------------------------------------	-------------------------------------------------------------------------------------



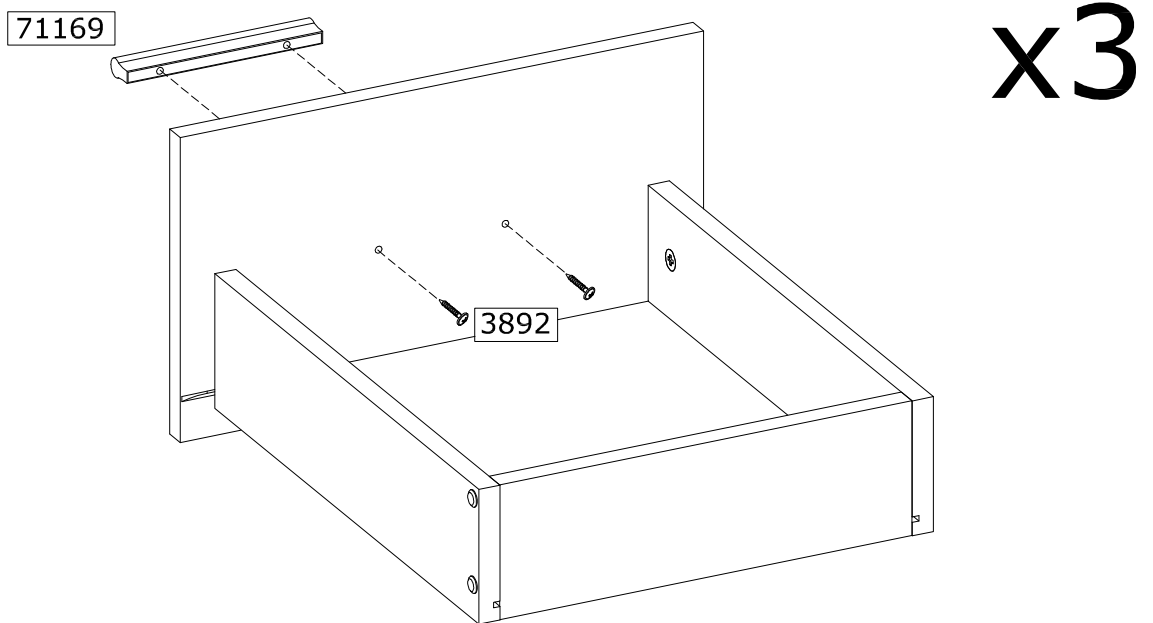
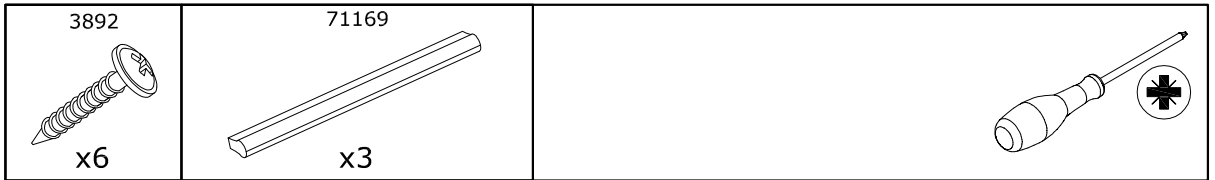
12




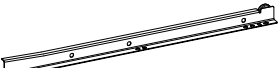
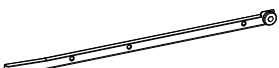
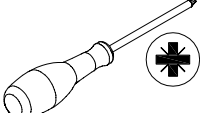

13

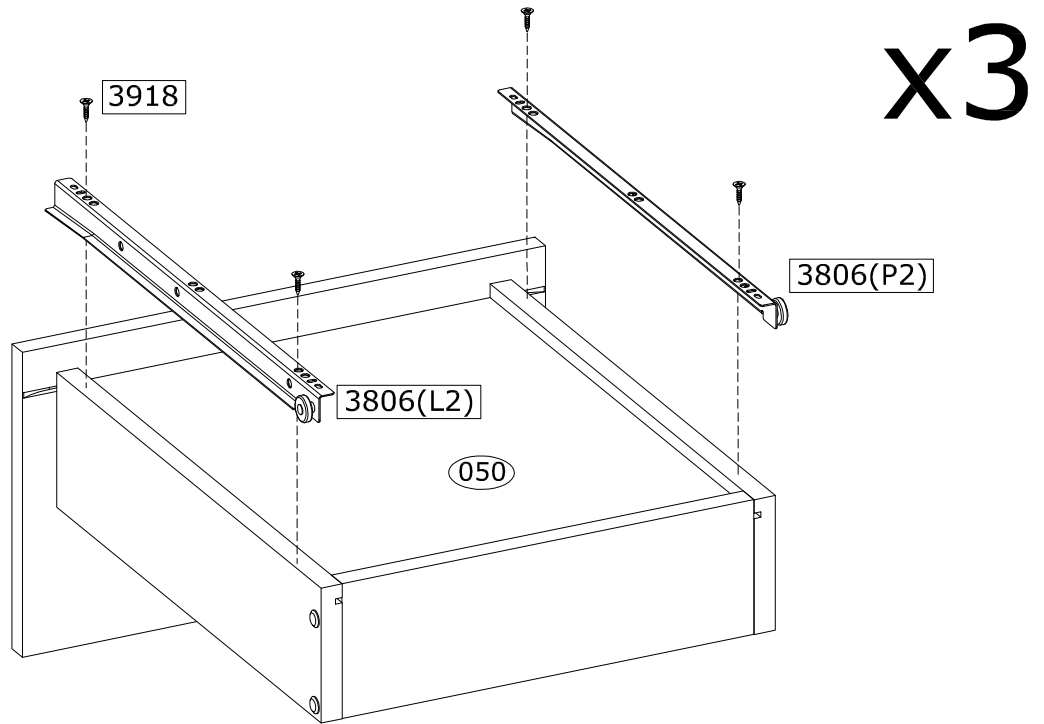


14

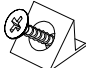
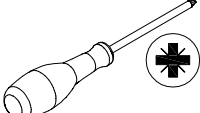



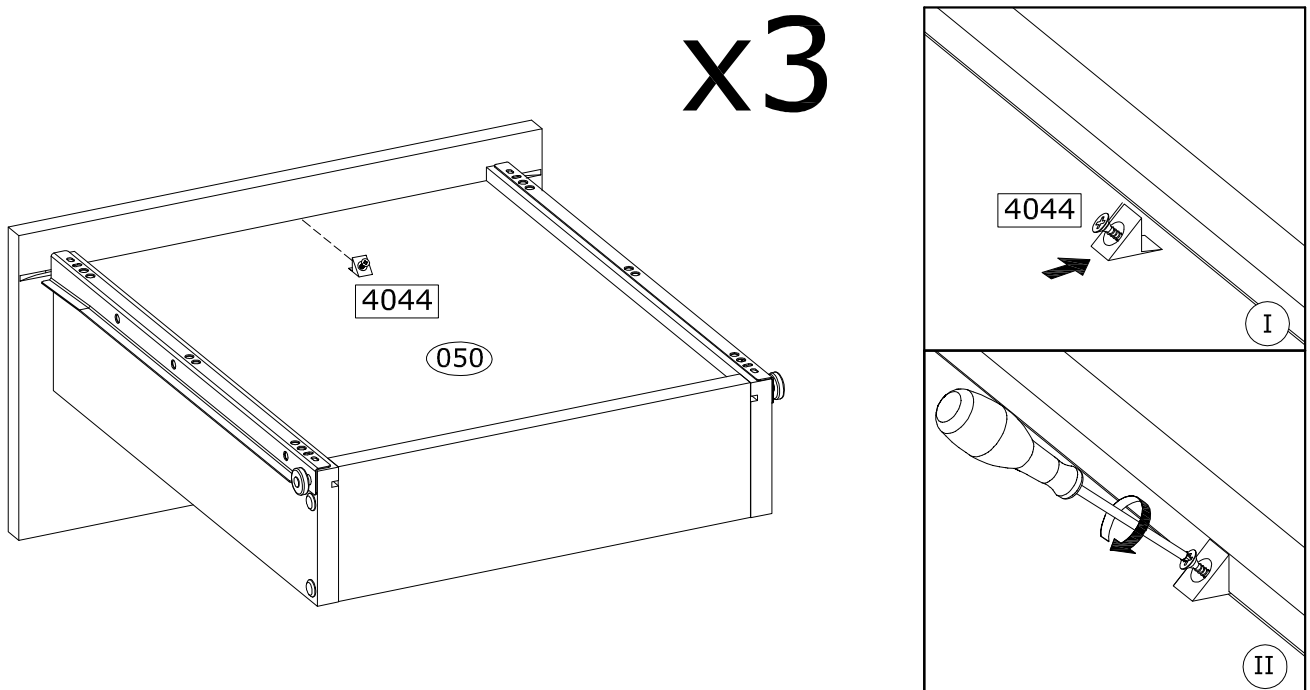
15

3918  x12	3806 (L2)  x3	3806 (P2)  x3	 
--------------------------------------------------------------------------------------------------	------------------------------------------------------------------------------------------------------	-------------------------------------------------------------------------------------------------------	-------------------------------------------------------------------------------------------------------------------------------------------------------------------------

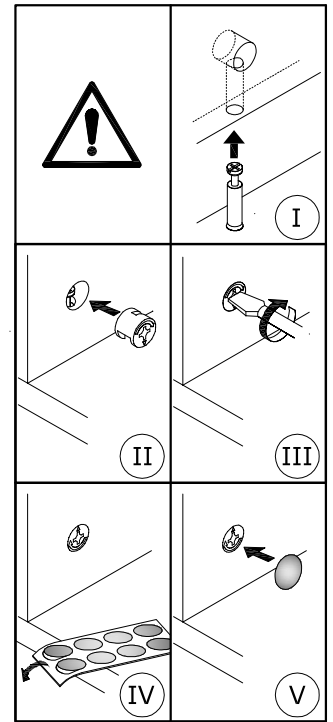
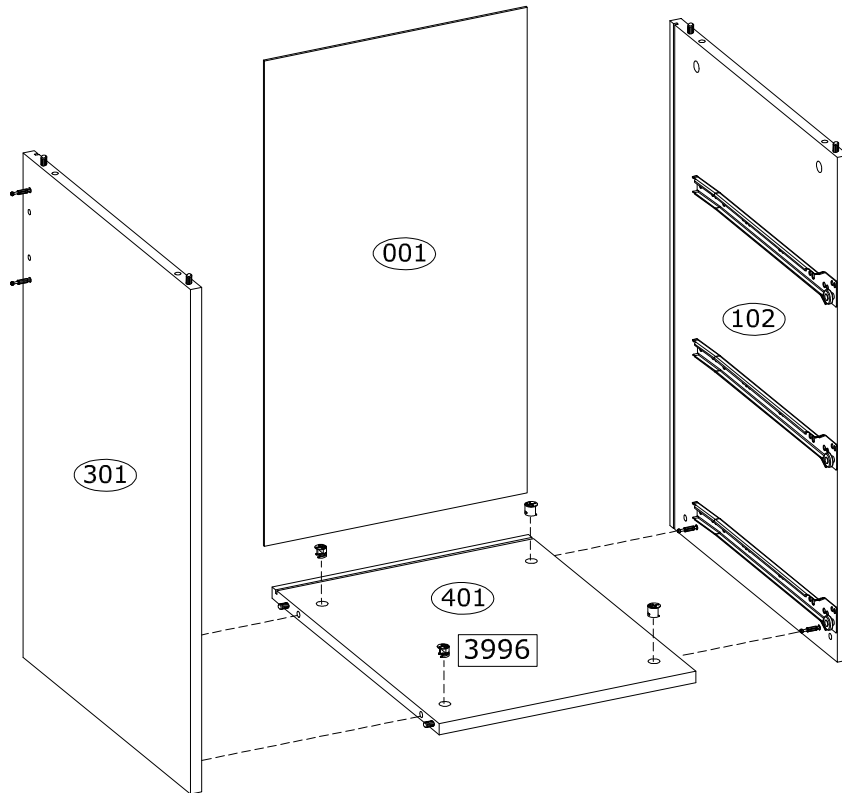


16

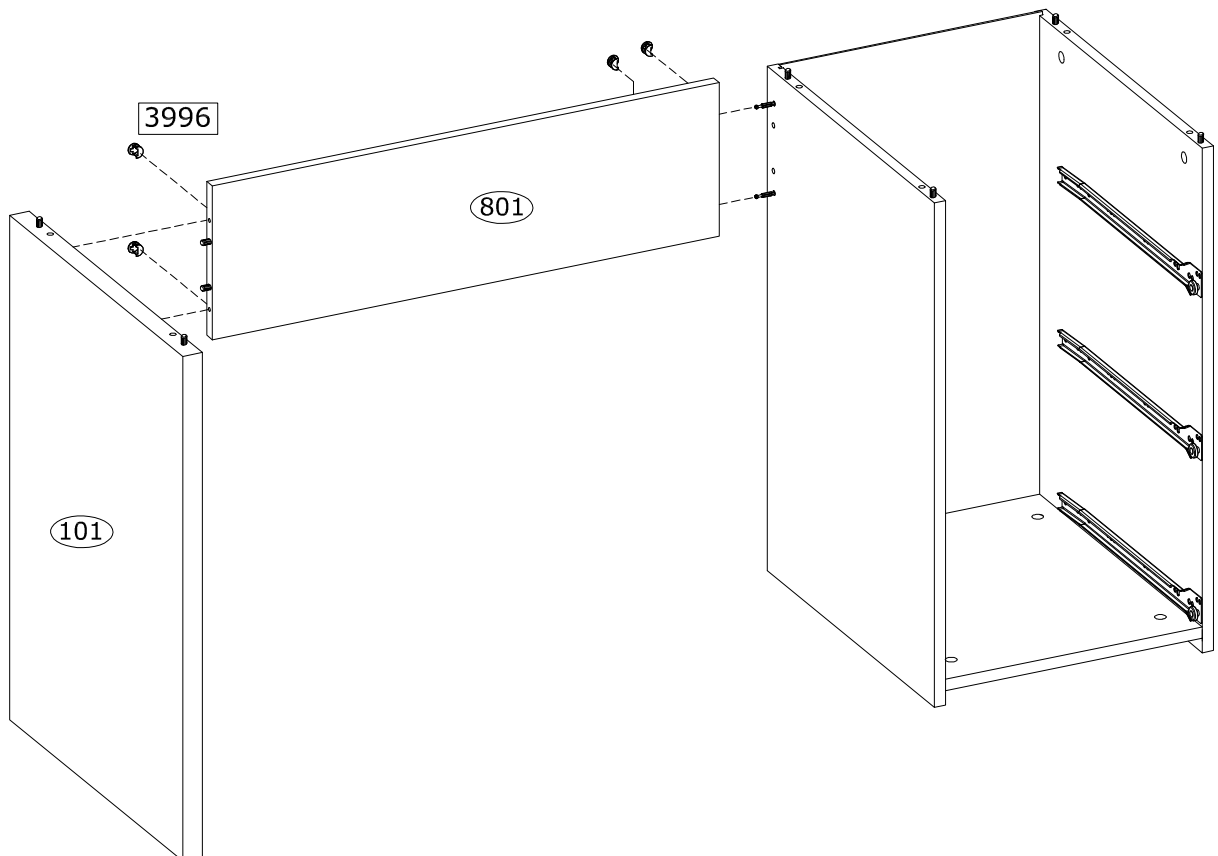
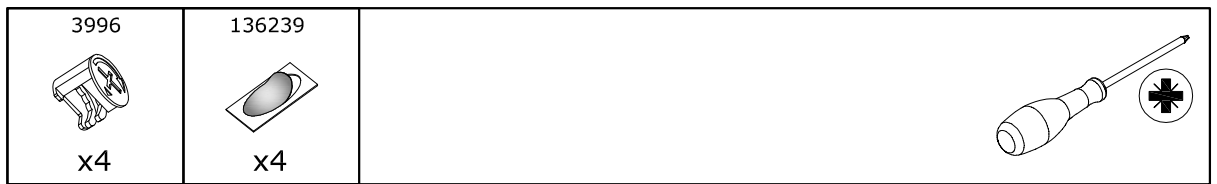
4044  x3	 
---------------------------------------------------------------------------------------------------	-----------------------------------------------------------------------------------------------------------------------------------------------------------------------------



17

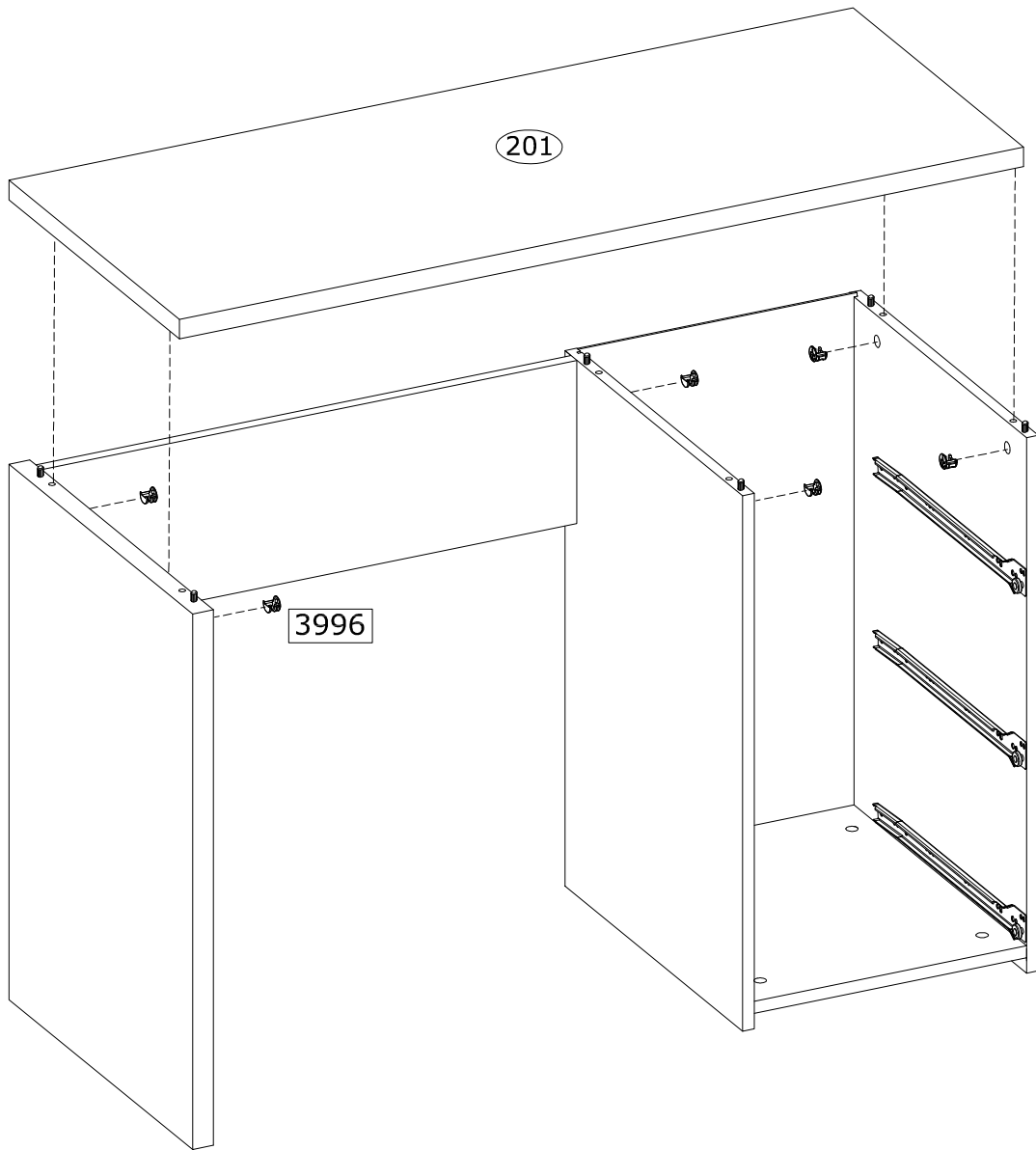


18

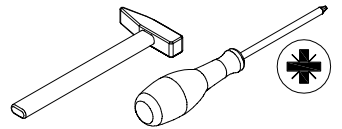
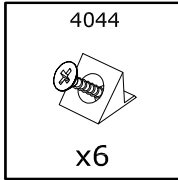


19

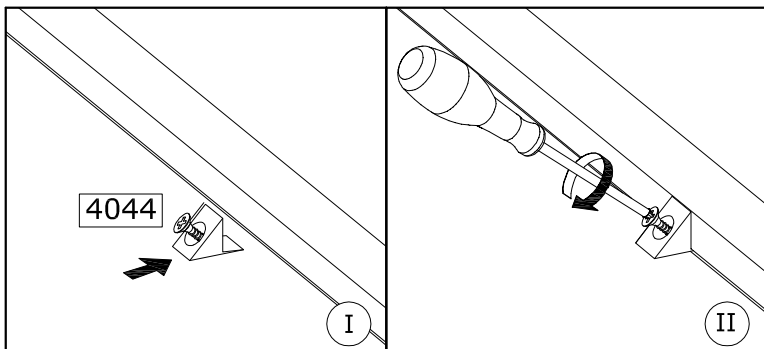
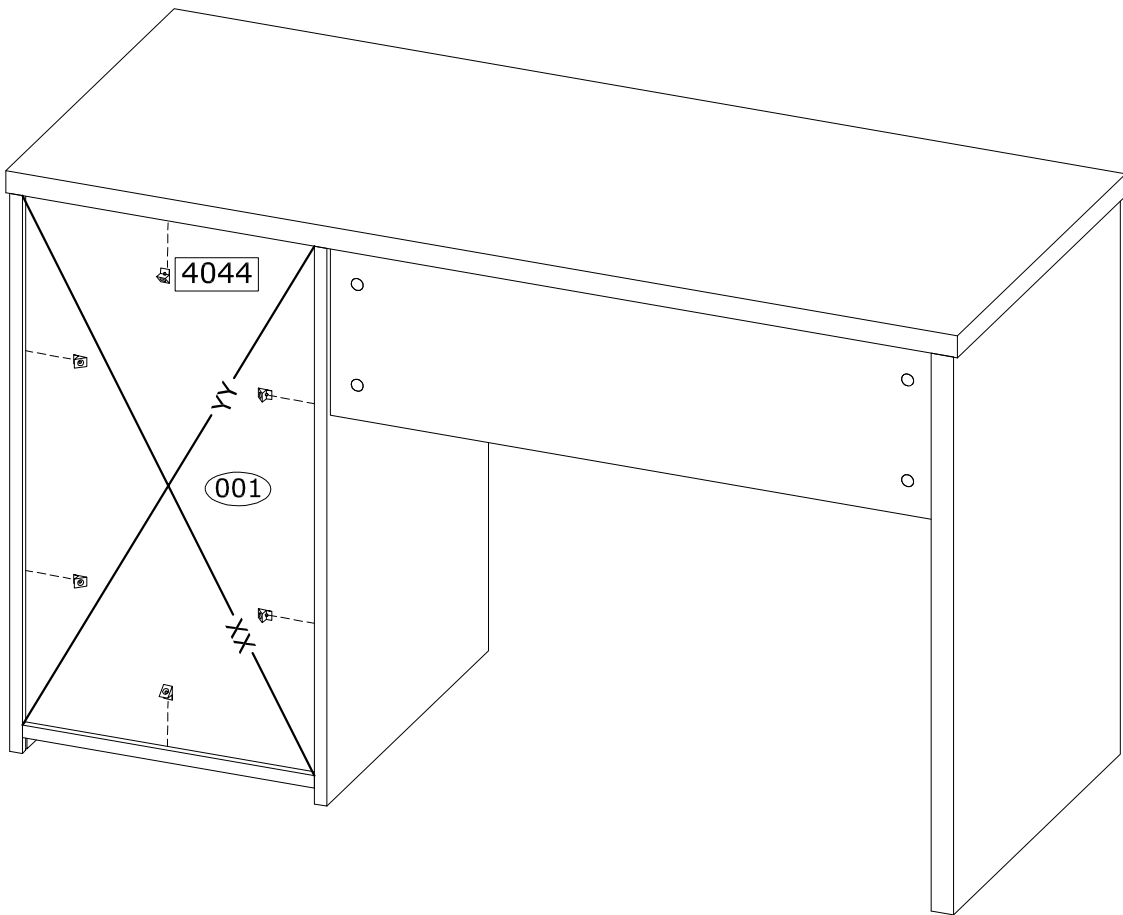
<p>3996</p>  <p>x6</p>	<p>136239</p>  <p>x6</p>	
---------------------------------------------------------------------------------------------------------	-----------------------------------------------------------------------------------------------------------	-------------------------------------------------------------------------------------



20



$XX=YY\equiv 90^\circ$



21

