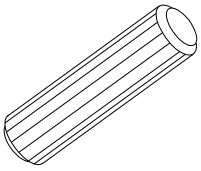
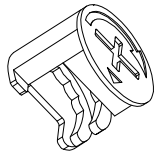


3989 x97



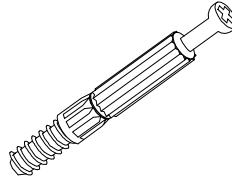
Ø8x30 mm

3996 x9



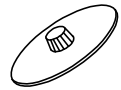
Ø15x12 mm

4066 x9



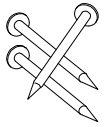
Ø6,5x36,5 mm

136236 x9



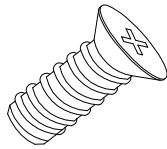
Ø15 mm

3975 x40



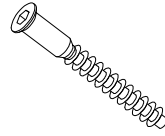
1.2x20 mm

3877 x12



Ø6,0x13 mm

3884 x38



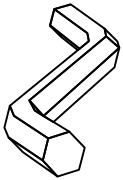
Ø6,4 mm/50mm

4108 x38



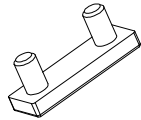
Ø6,5 mm

3984 x1



4 mm

4057 x6



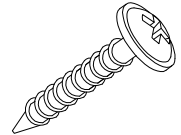
48x16x19.5 mm

IN01009 x15



8.806

3892 x6



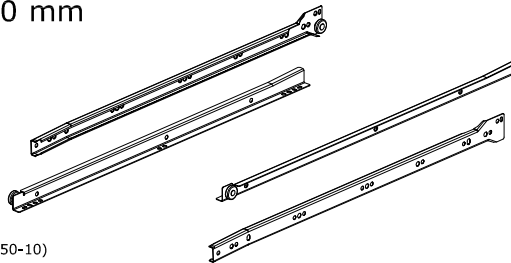
Ø4,0x25 mm

3918 x36



Ø3,5x16 mm

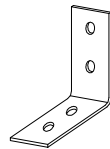
L-550 mm x2



(PR-OB-550-10)

3807

3981 x4



40x40x20 mm

3319 x6



1.

3989

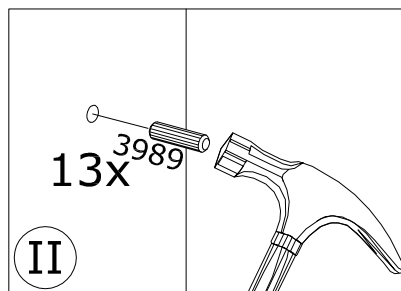
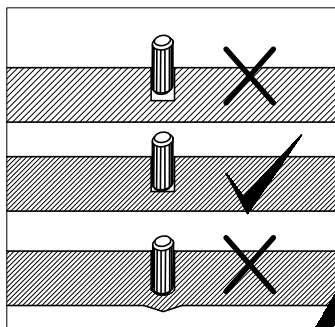
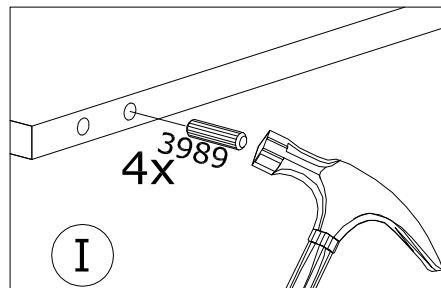
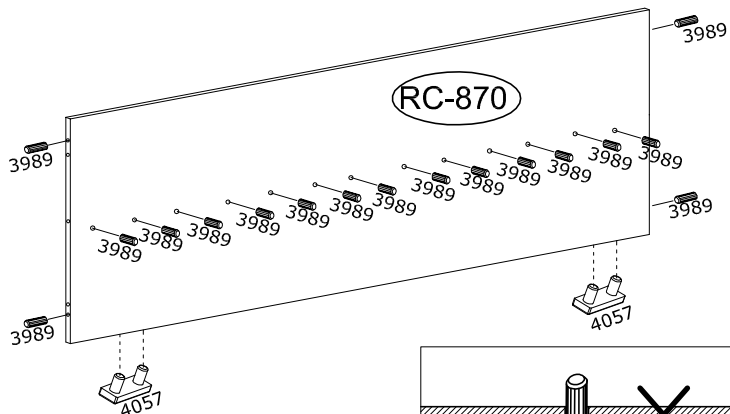


x17

4057



x2



2.

3989

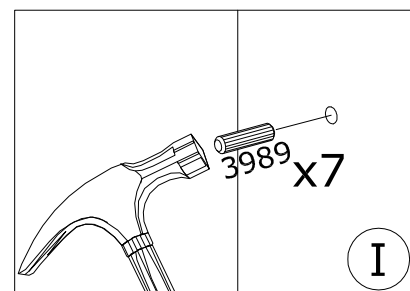
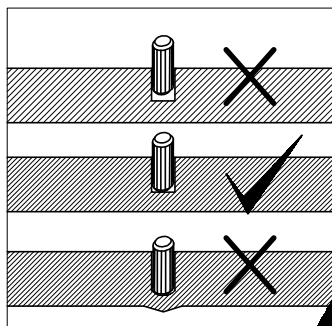
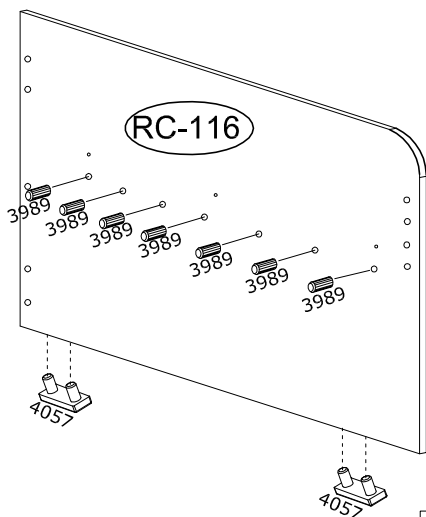


x7

4057



x2



3.

3989

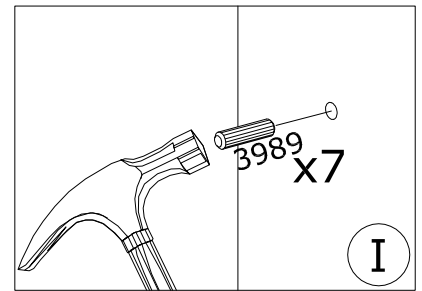
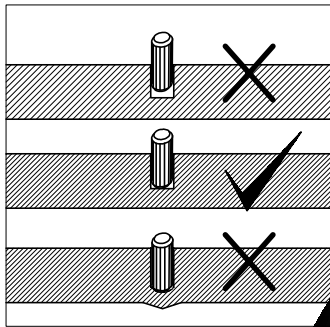
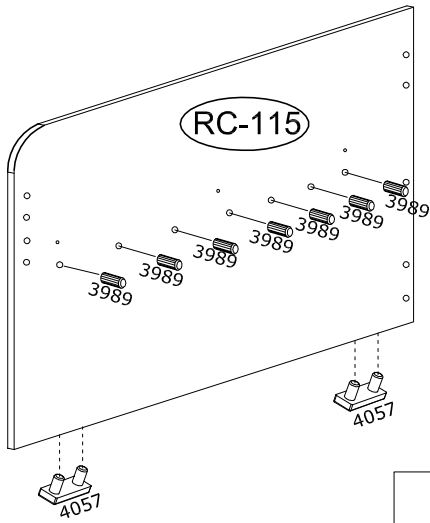


x7

4057



x2

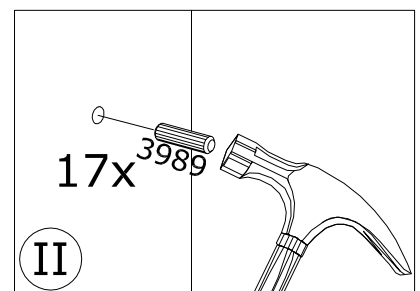
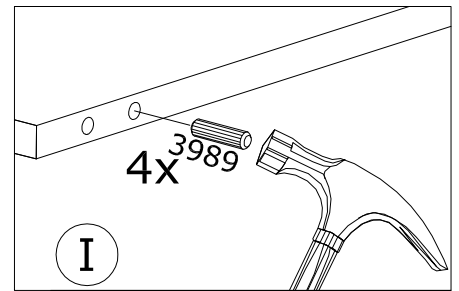
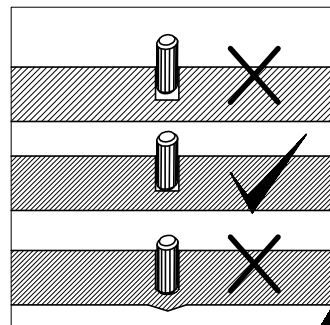
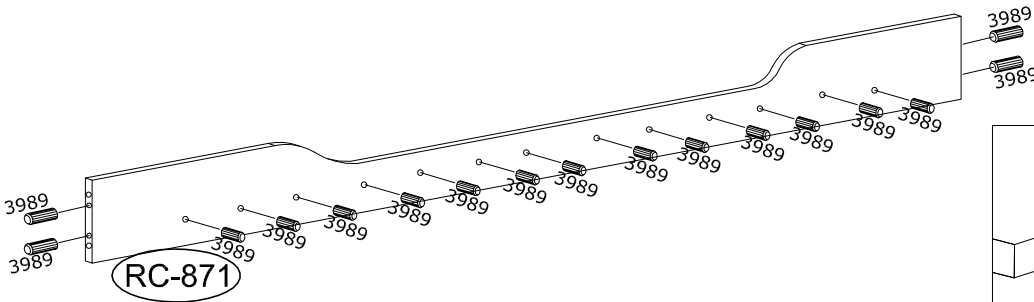


4.

3989

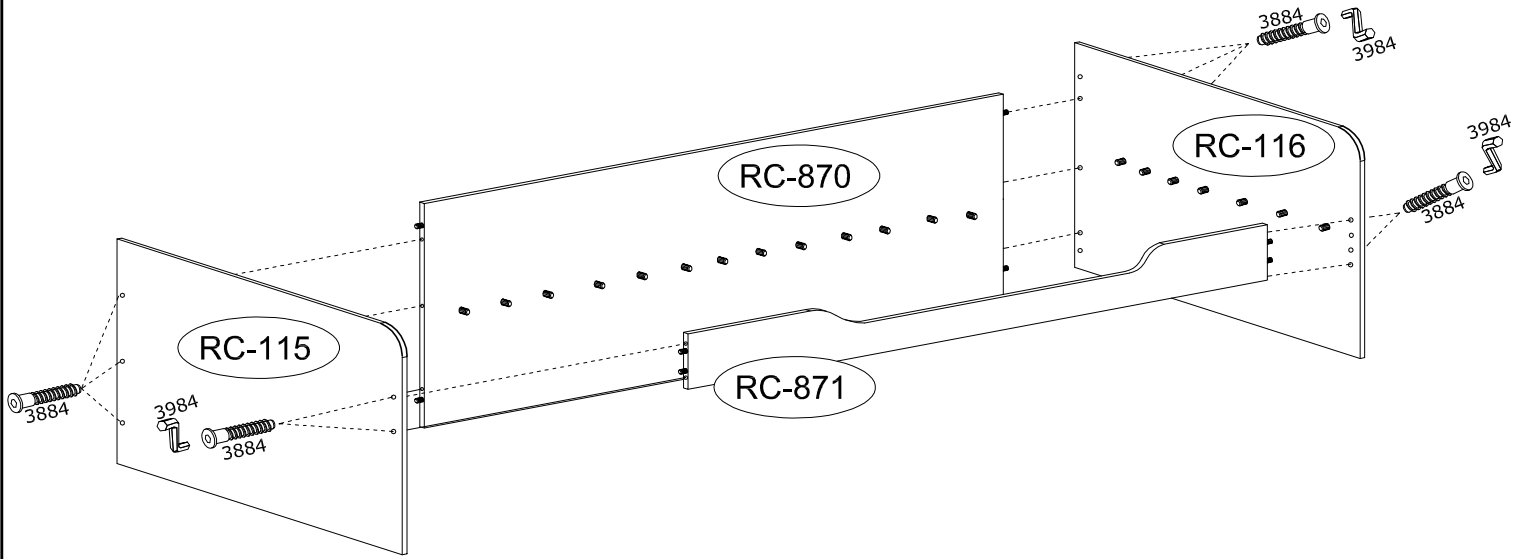


x17



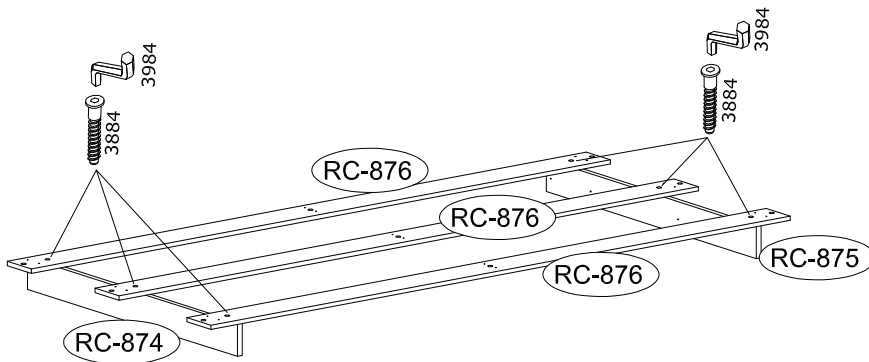
5.

3884  x10	3984  x1		
---	--	--	--



6.

3884  x6	3984  x1		
---	---	--	--



7.

3989

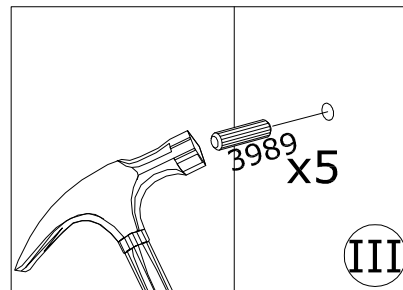
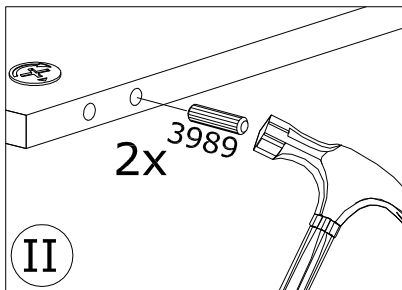
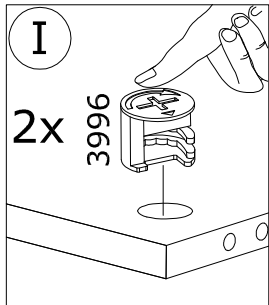
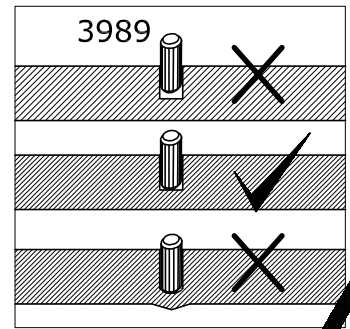
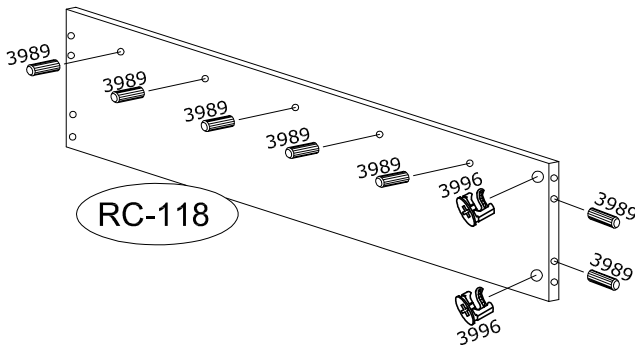


x7

3996



x2



8.

3989

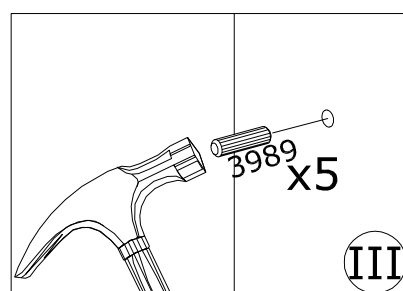
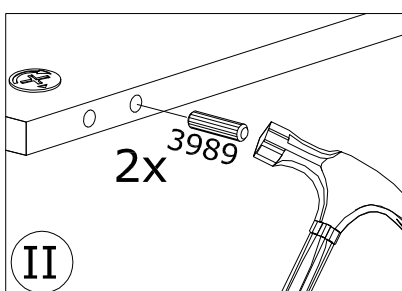
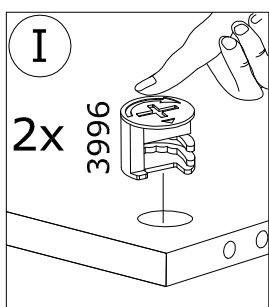
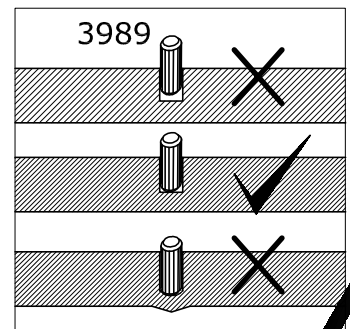
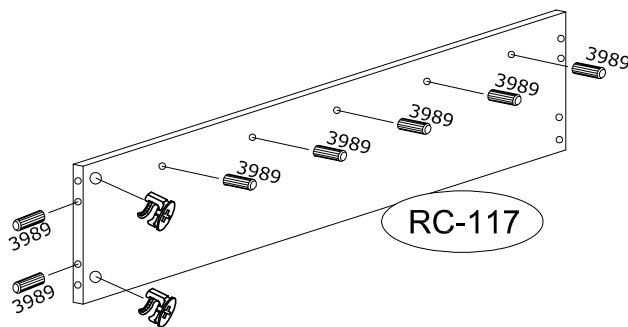


x7

3996



x2

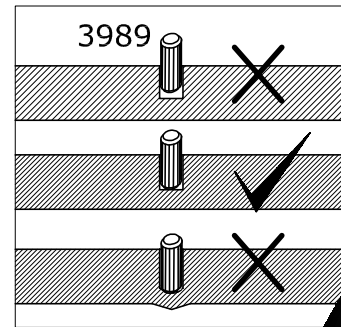
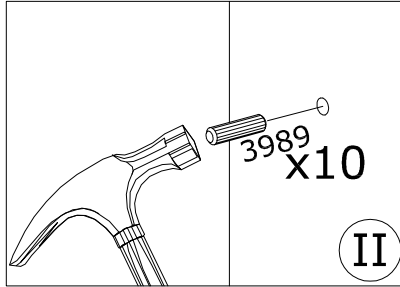
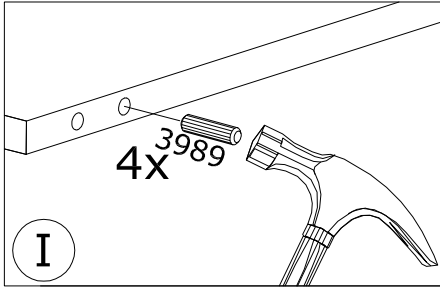
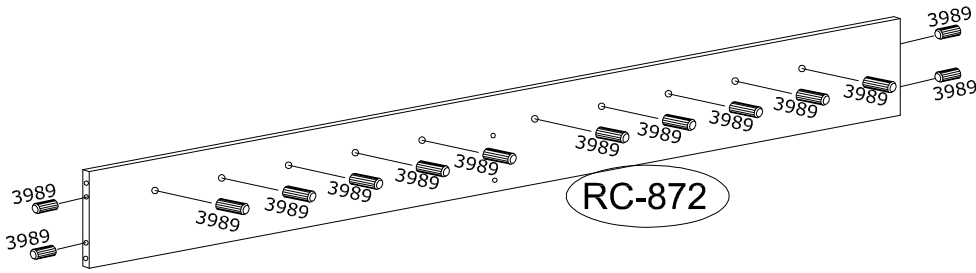


9.

3989



x14



10.

3989



x10

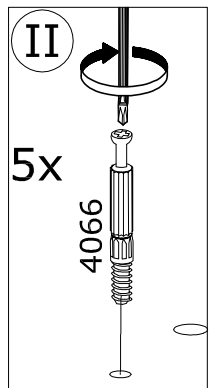
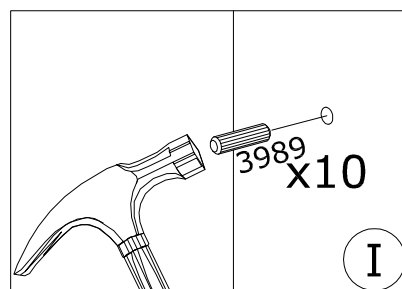
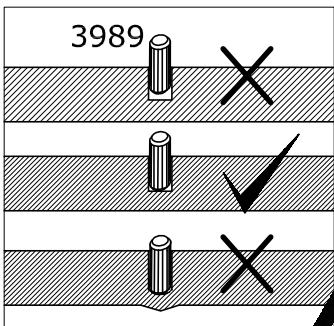
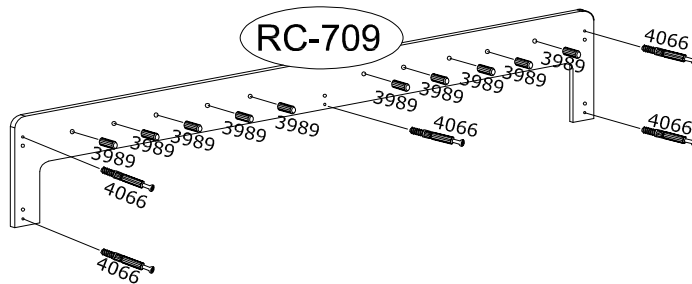
4066



x5



PH2



11.

3989

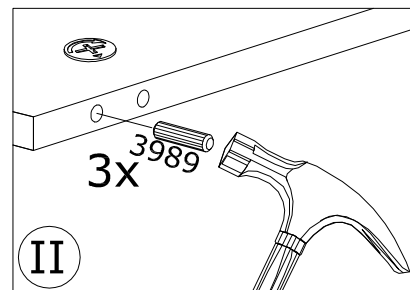
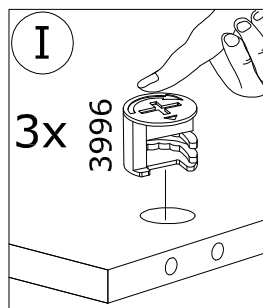
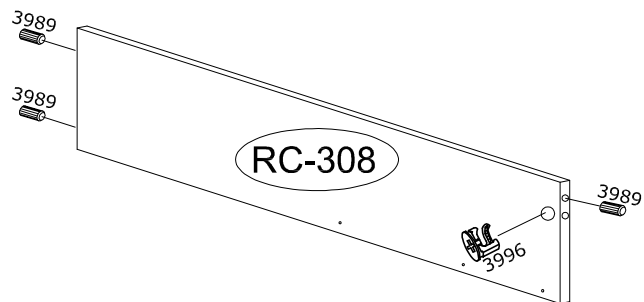


x3

3996



x1



12.

3884

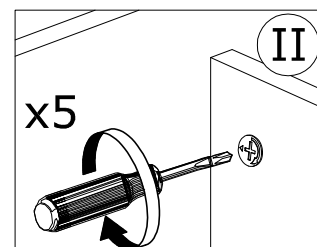
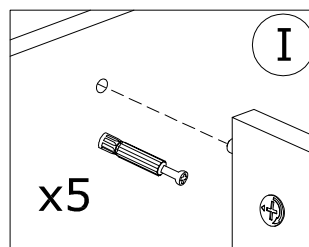
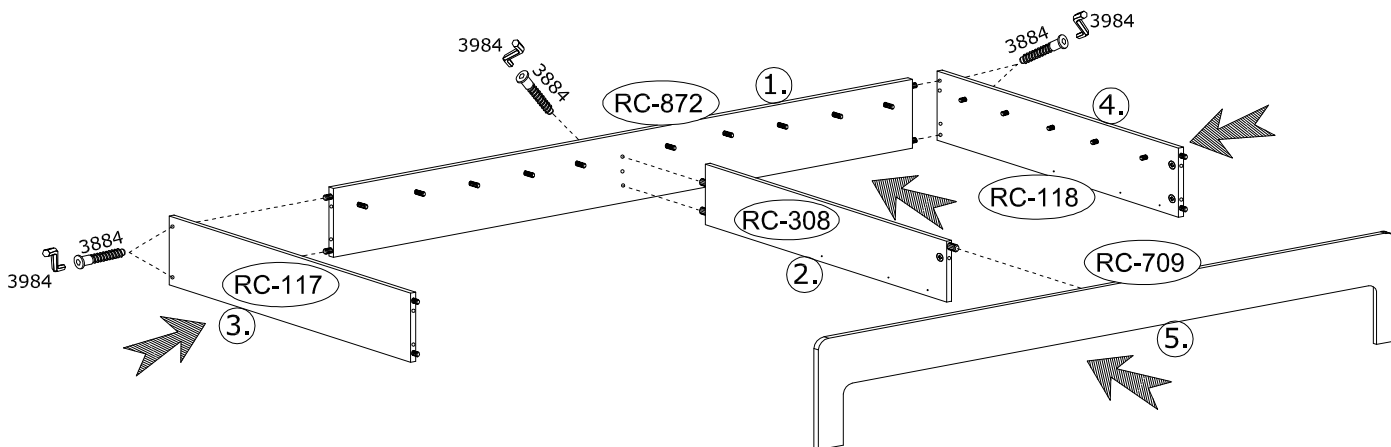


x5

3984



x1



13.

3884

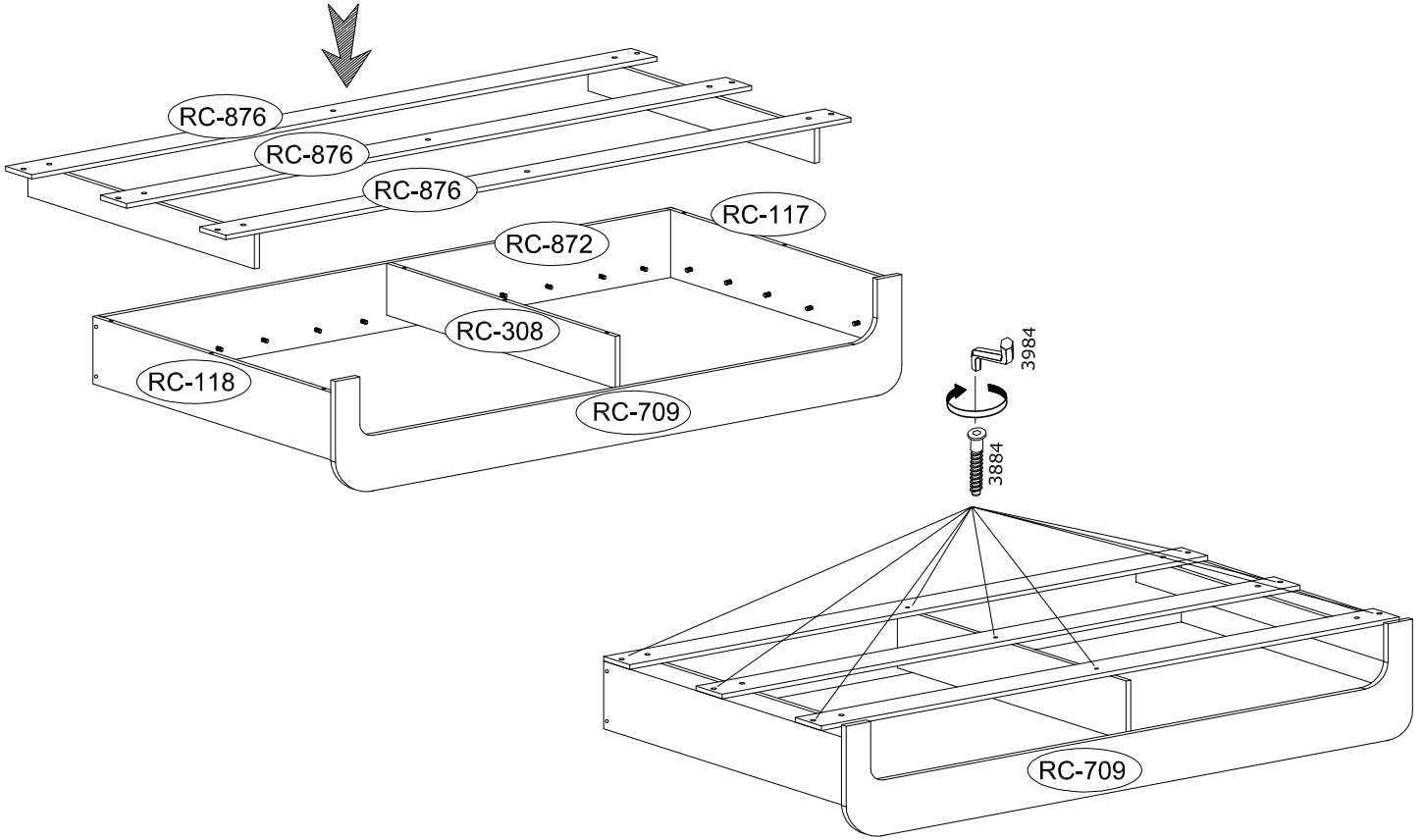


x9

3984



x1



14.

3319

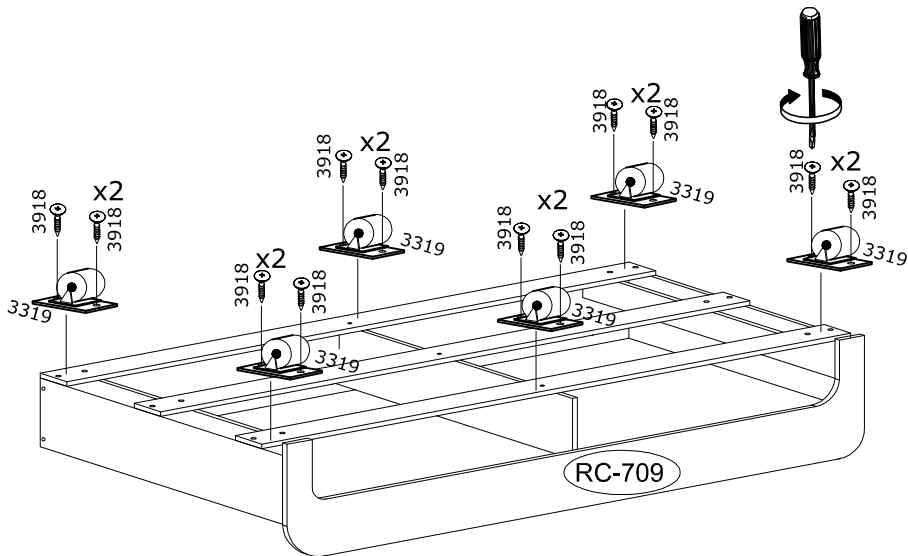


x6

3918



x12



15.

3807



x2

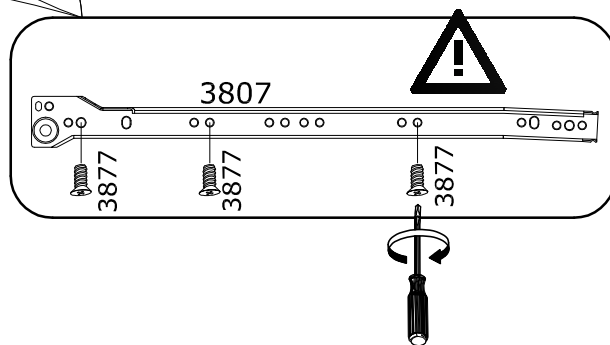
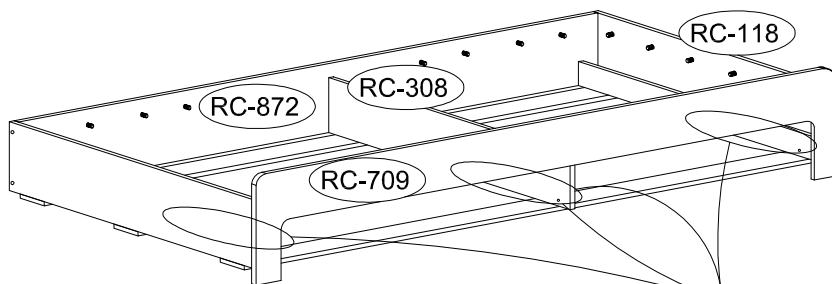
3877



x12



PH2



16.

3989



x8

3996



x4

3884



x8

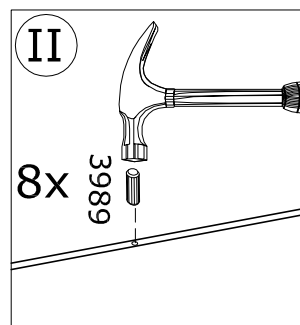
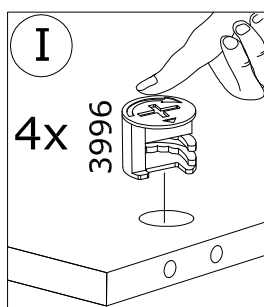
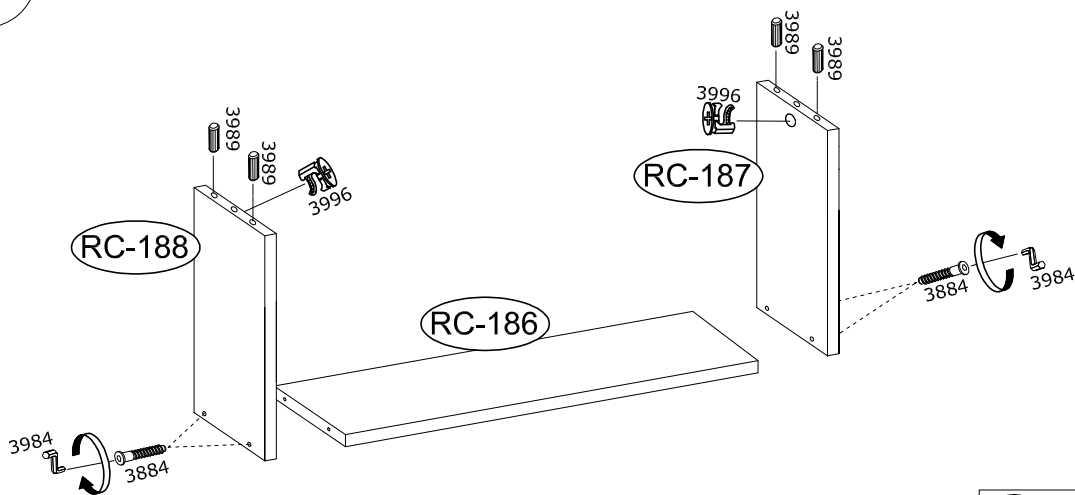
3984



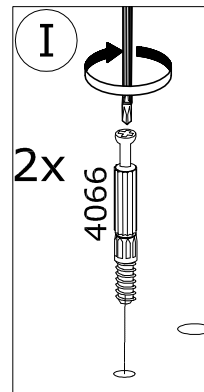
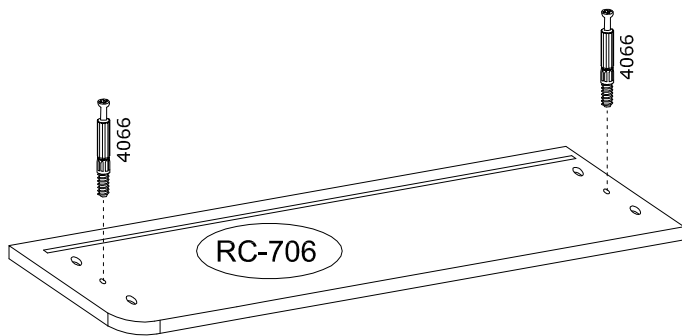
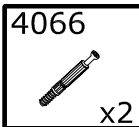
x1



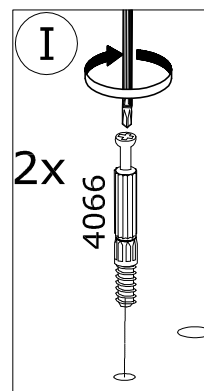
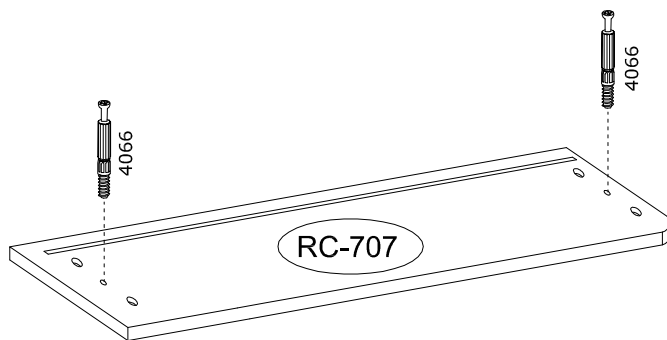
x2



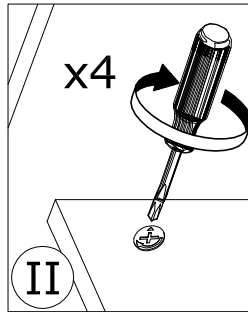
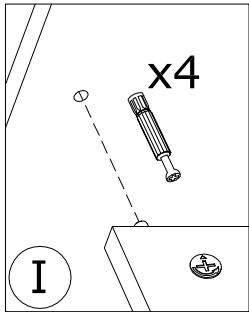
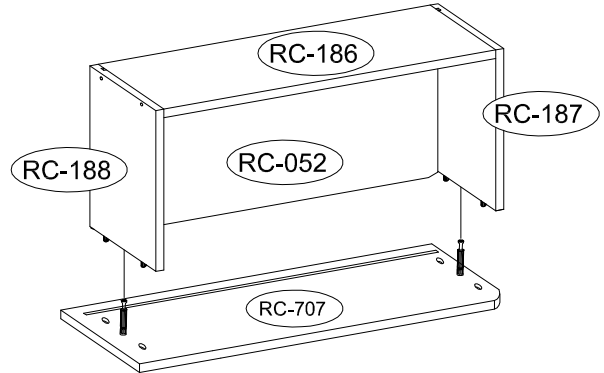
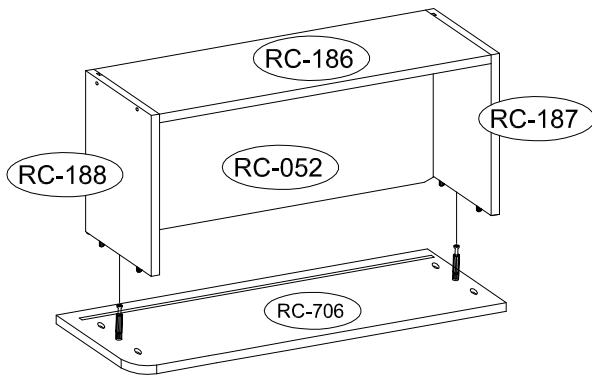
17.



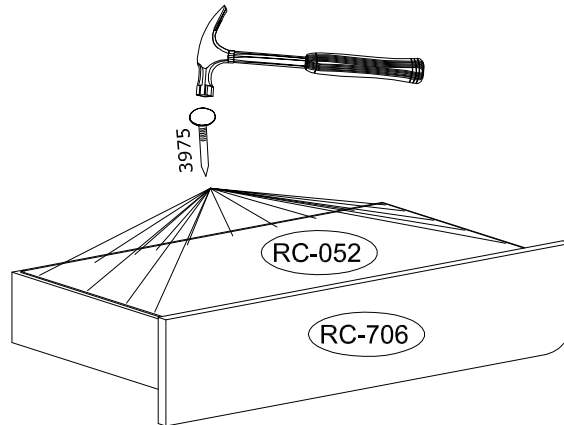
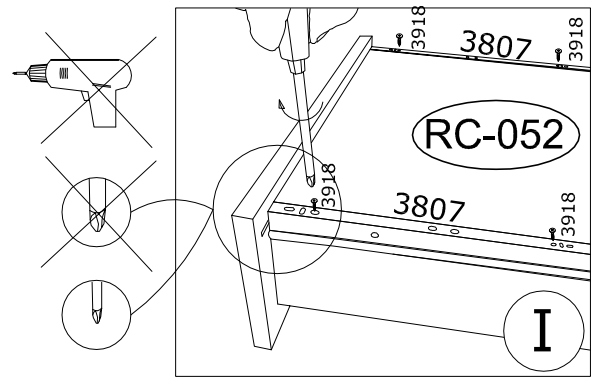
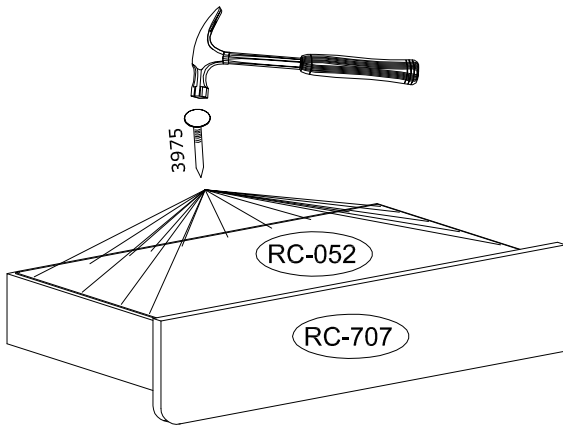
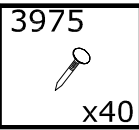
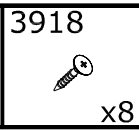
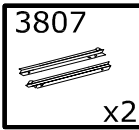
18.



19.



20.



21.

3892



x6

3918



x16

IN01009



x9

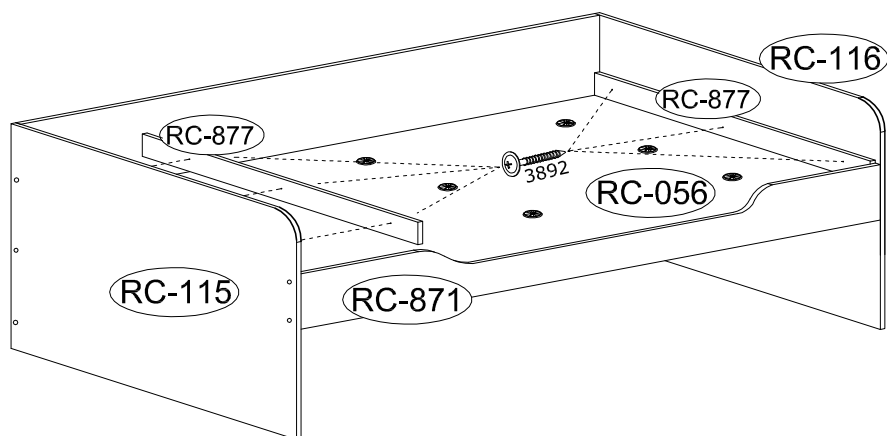
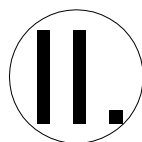
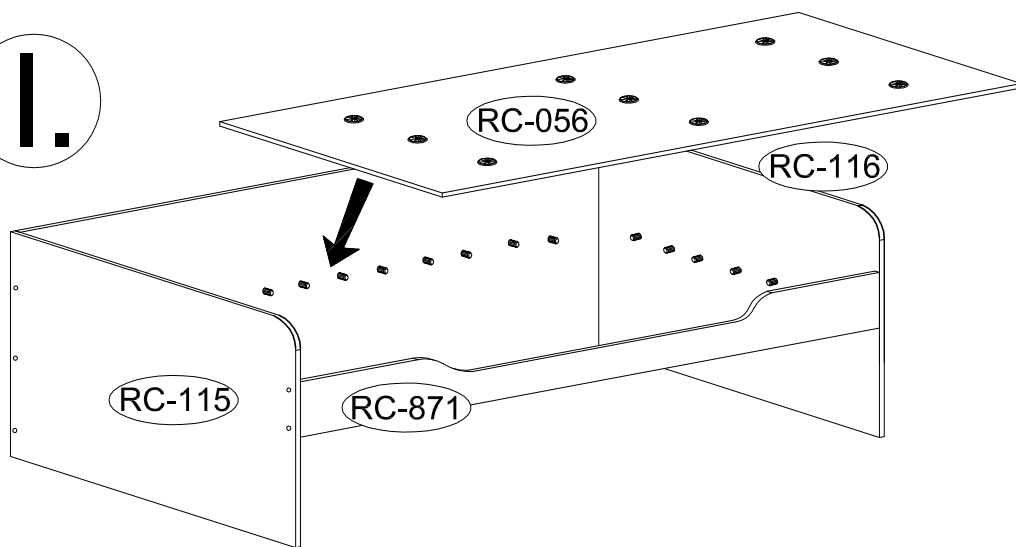
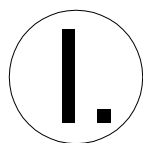
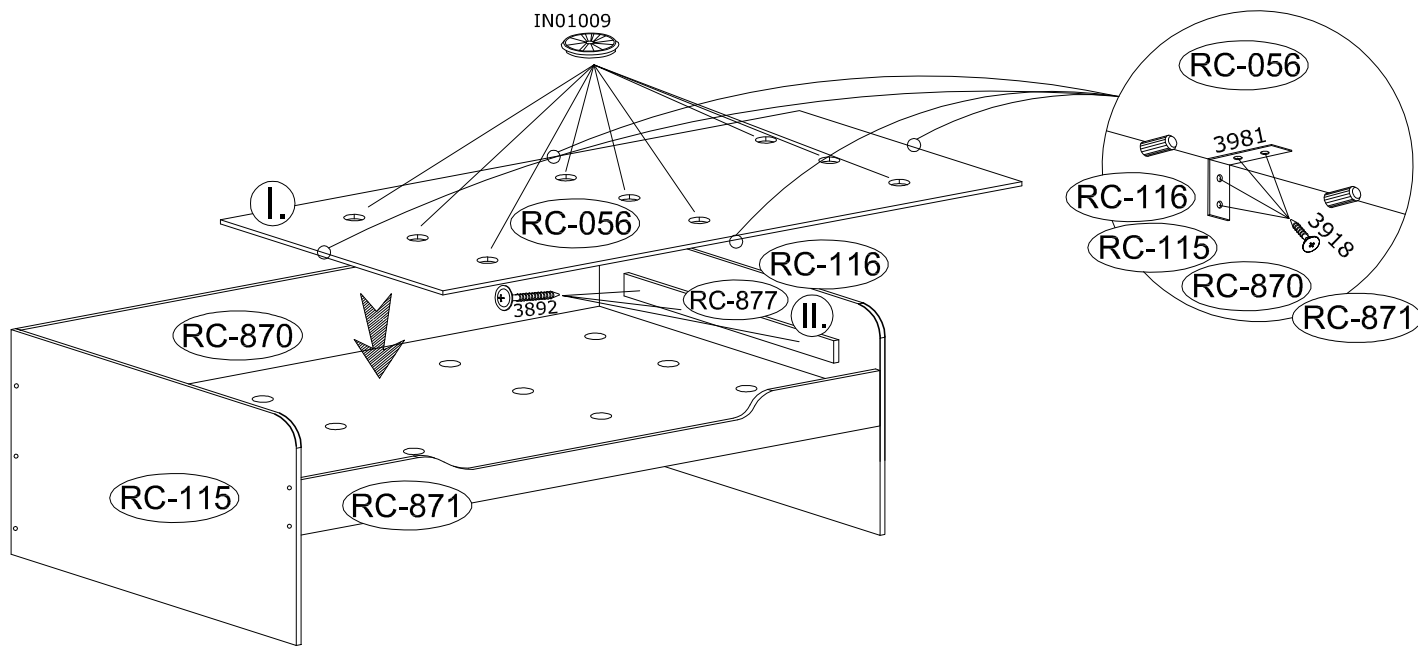
3981



x4



PH2

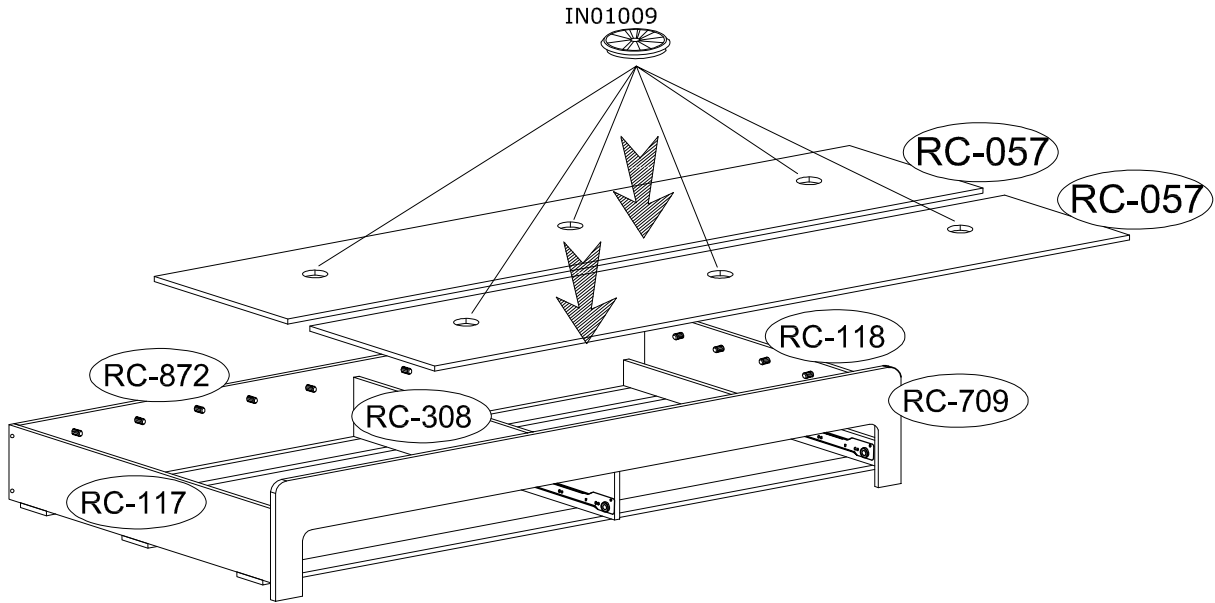


22.

IN01009



x6



23.

136236

4108



x9



x38

