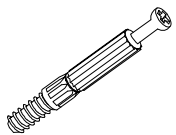
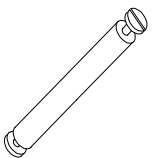
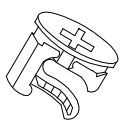

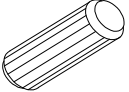
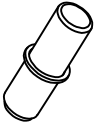
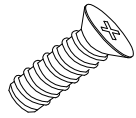

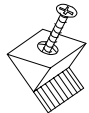
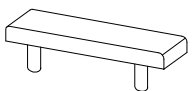
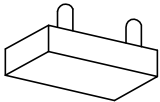
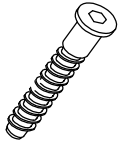
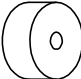

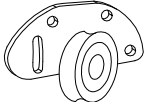
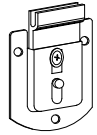
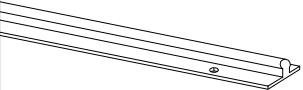
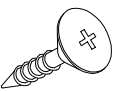
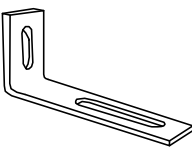
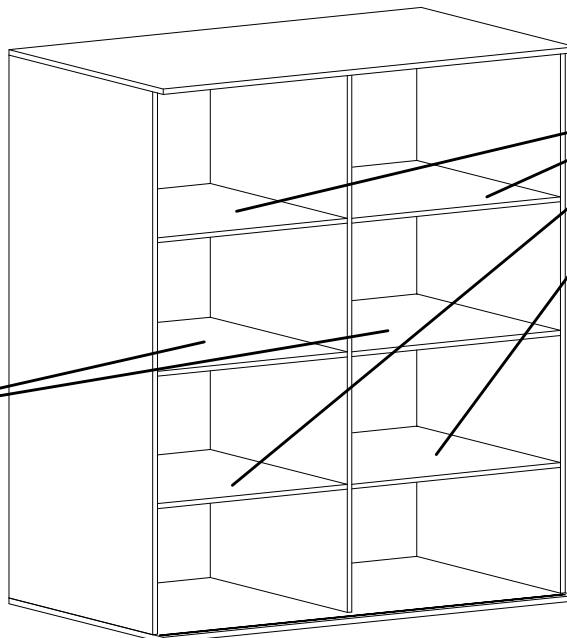
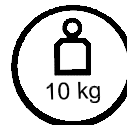
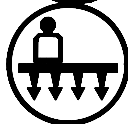
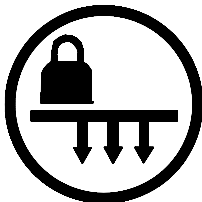
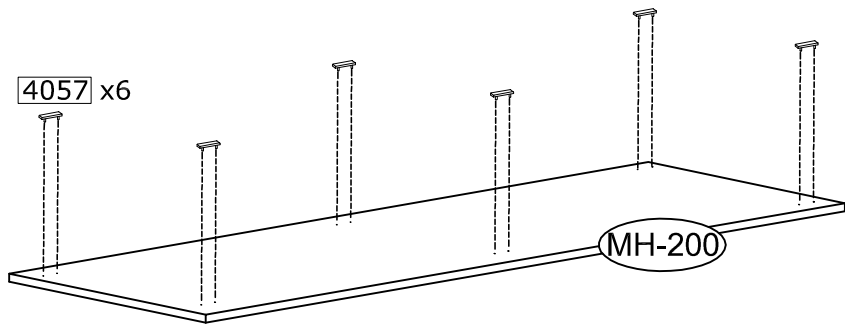
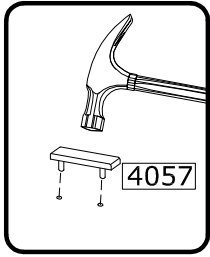


<p>4066</p>  <p>Ø6.5x36.5mm x16</p>	<p>4060</p>  <p>x2</p>	<p>3996</p>  <p>Ø15x16mm x20</p>	<p>136236</p>  <p>Ø20 x20</p>
<p>3989</p>  <p>Ø8x30mm x20</p>	<p>4017</p>  <p>x16</p>	<p>3879</p>  <p>Ø6.3x13mm x4</p>	<p>3923</p>  <p>Ø4,0x16mm x32</p>
<p>4044</p>  <p>x24</p>	<p>4057</p>  <p>x6</p>	<p>IN01112</p>  <p>H-20 mm x1</p>	<p>3884</p>  <p>x6</p>
<p>IN01032</p>  <p>H-18mm x6</p>	<p>3984</p>  <p>4 mm x1</p>	<p>IN01007</p>  <p>x4</p>	<p>IN01006</p>  <p>x4</p>
<p>83655</p>  <p>L-1166mm x4</p>	<p>3912</p>  <p>Ø3,0x13mm x16</p>	<p>71900</p>  <p>x2</p>	



# 1

4057  
x6

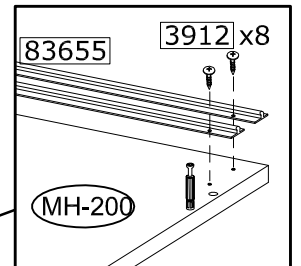
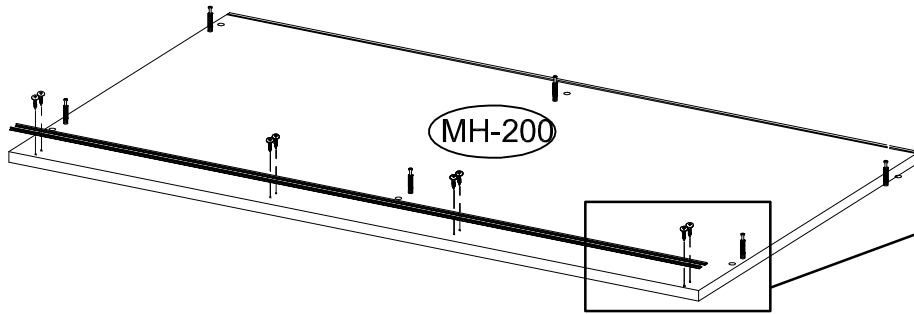
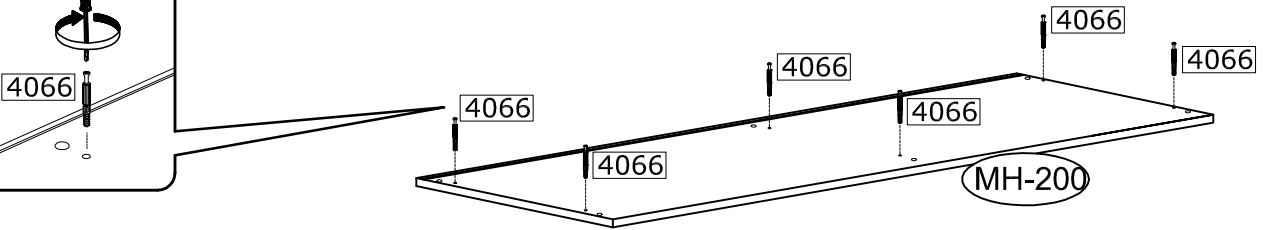
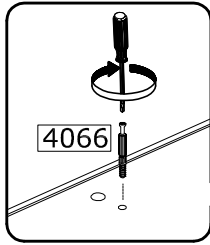


# 2

4066  
x6

83655  
x2

3912  
3,0X13  
x8

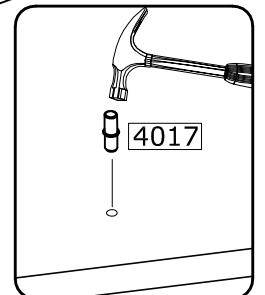
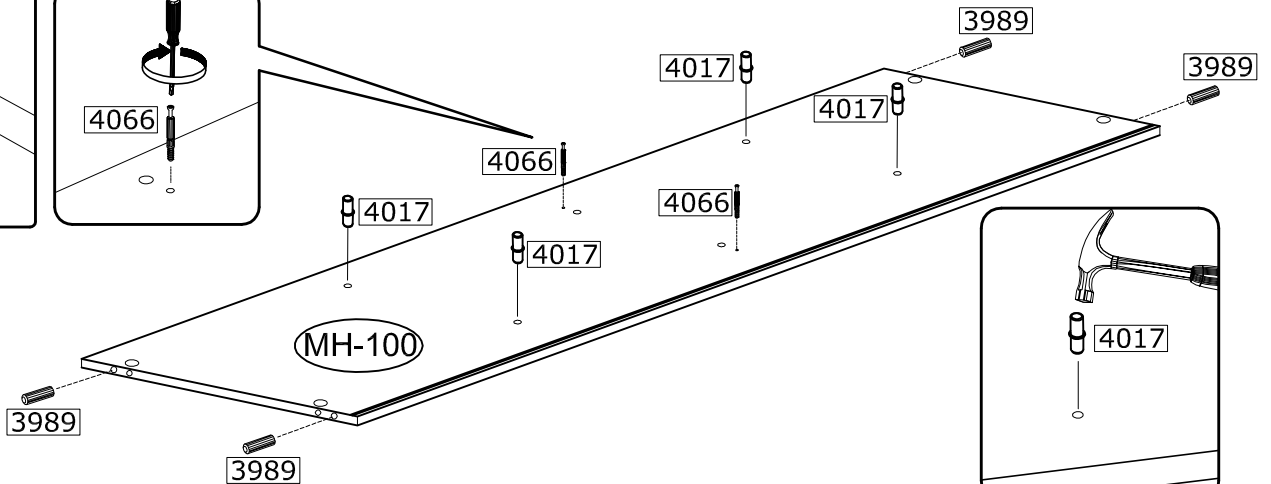
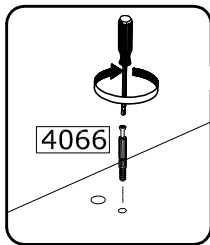
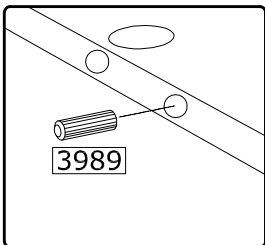


# 3

4066  
x2

3989  
x4

4017  
x4

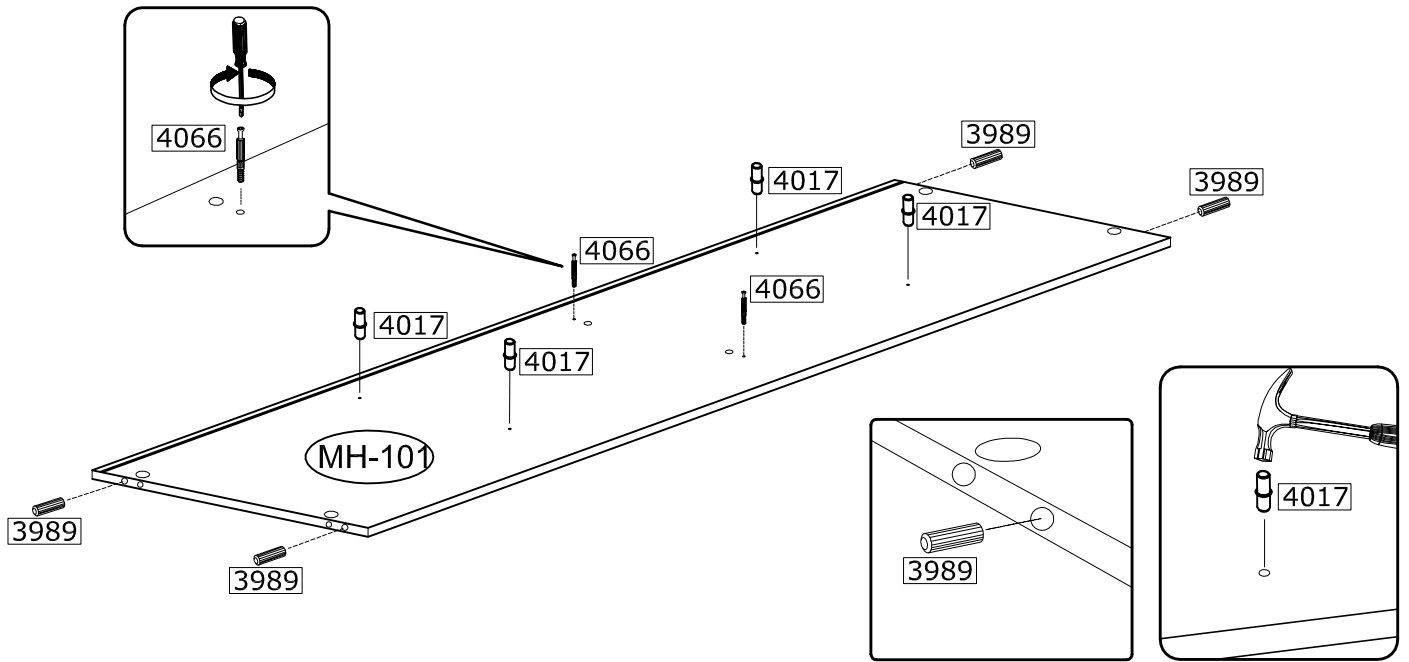


# 4

4066  
x2

3989  
x4

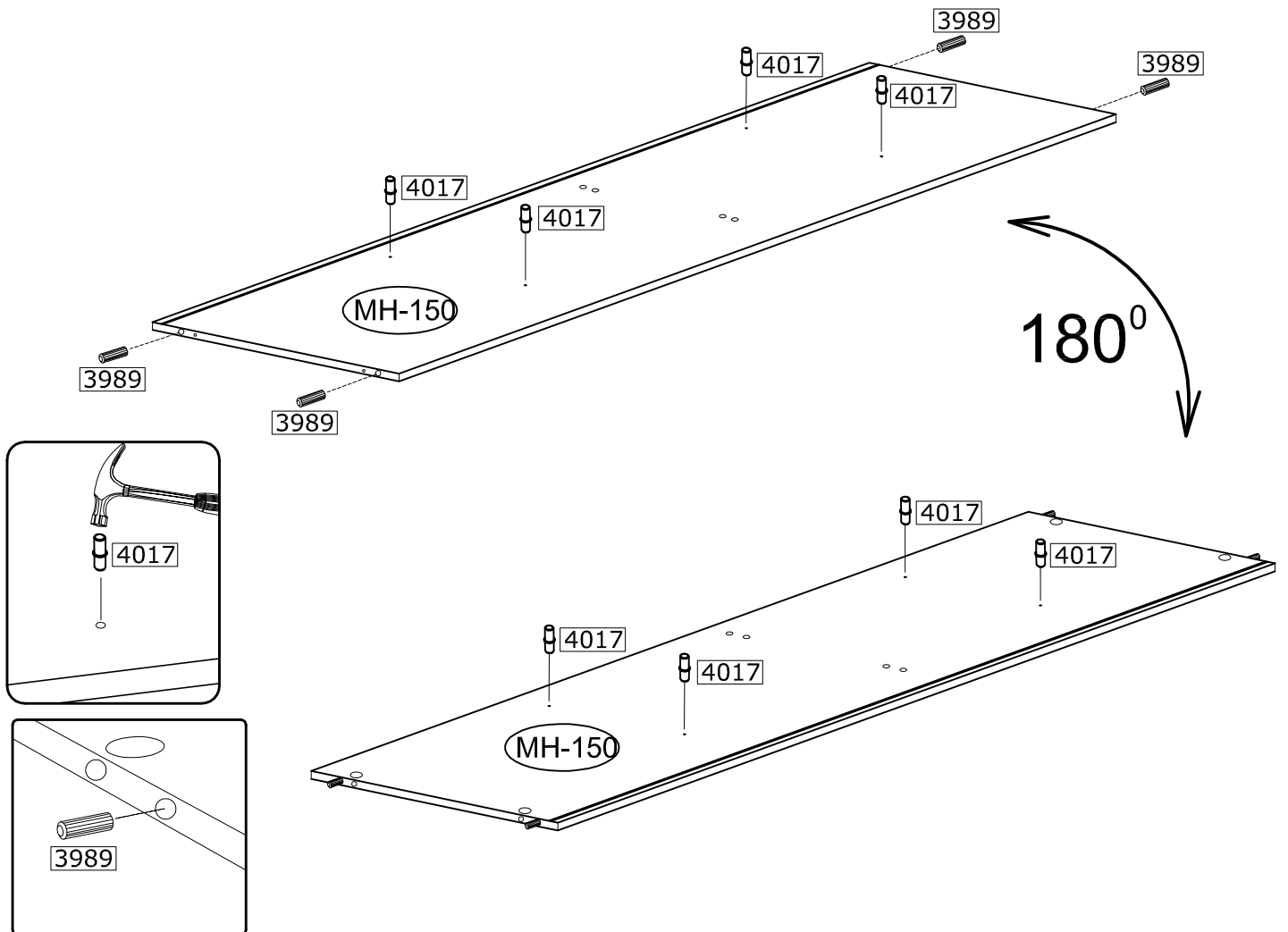
4017  
x4



# 5

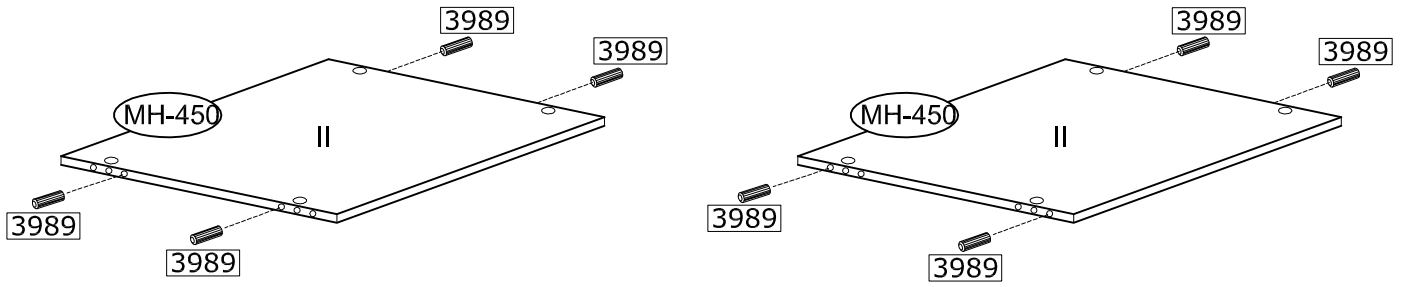
3989  
x4

4017  
x8



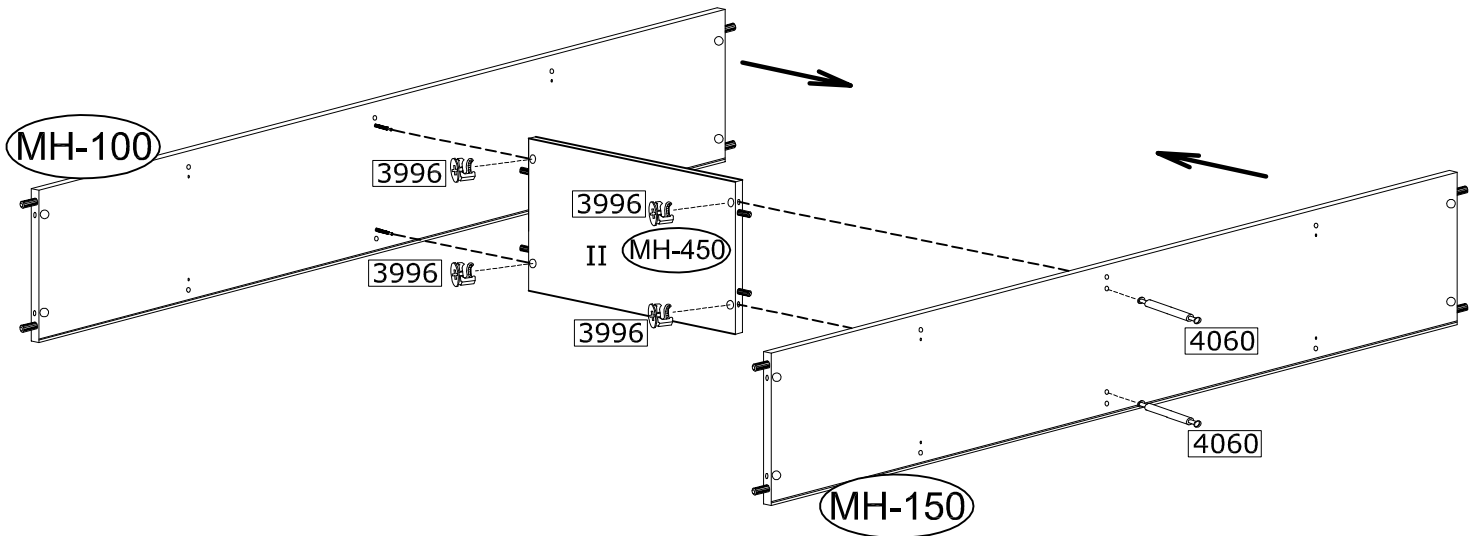
# 6

3989  x4		
--	--	--



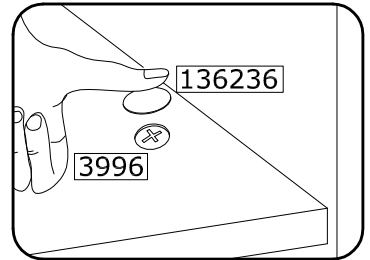
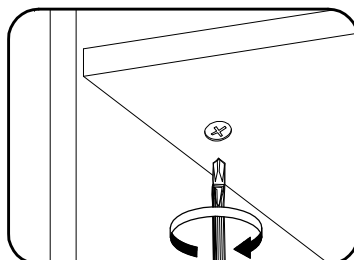
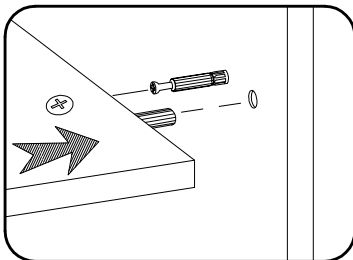
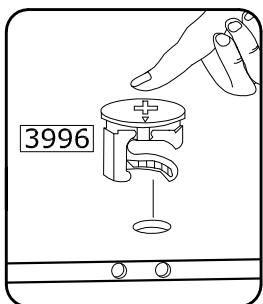
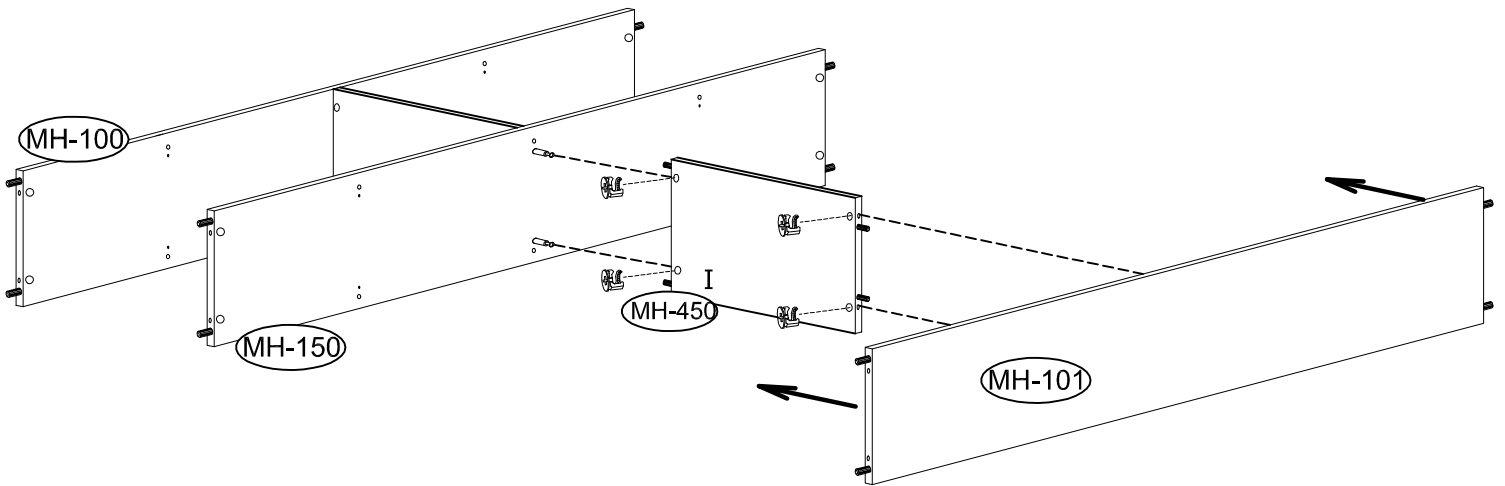
# 7

3996  x4	136236  x4	4060  x2	
---	---	---	---

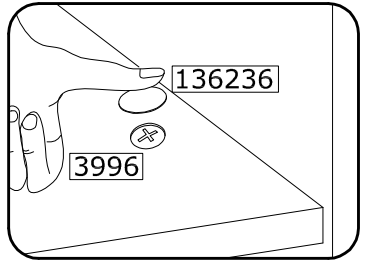
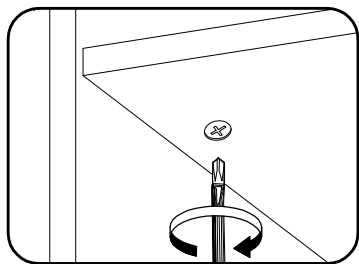
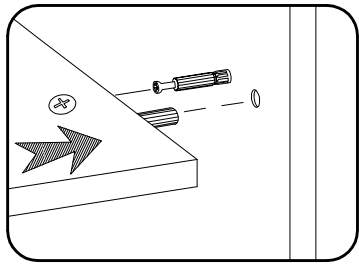
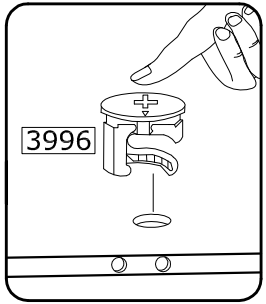
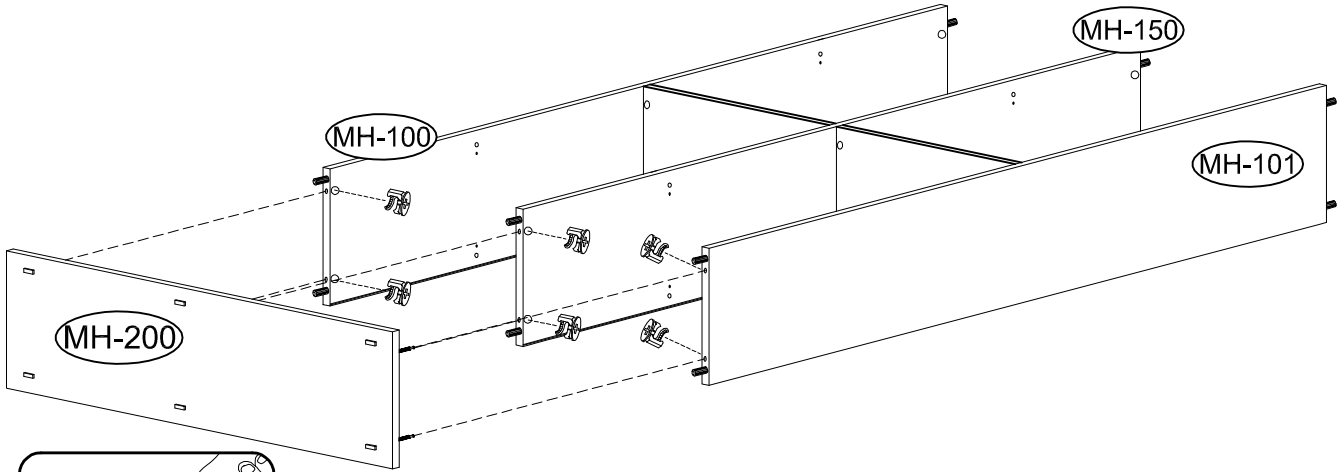
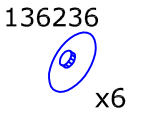


# 8

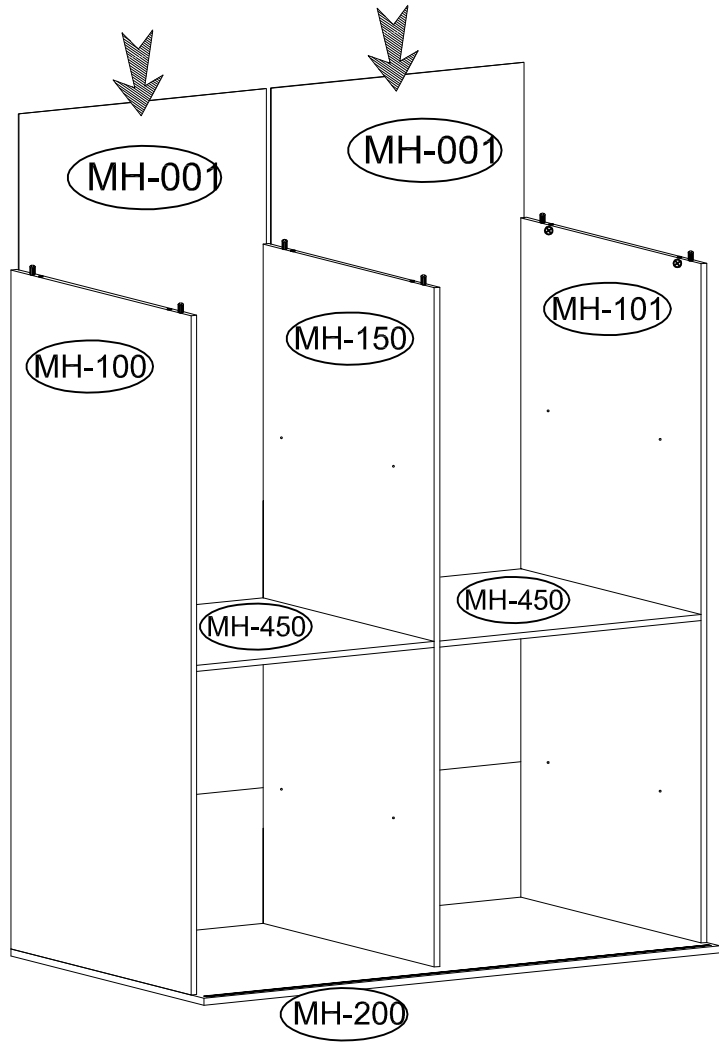
3996  x4	136236  x4		
---	---	--	---



# 9



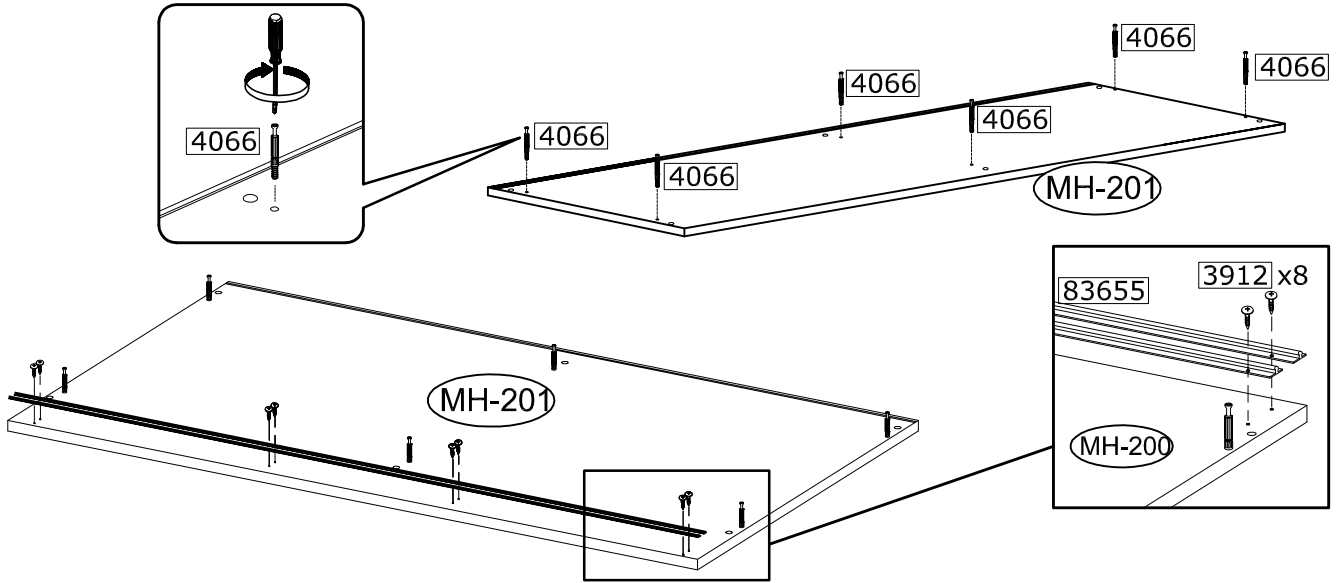
# 10





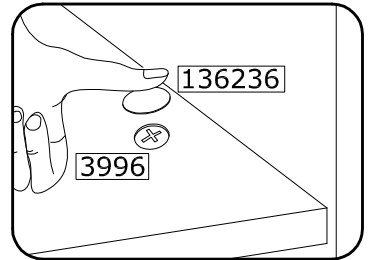
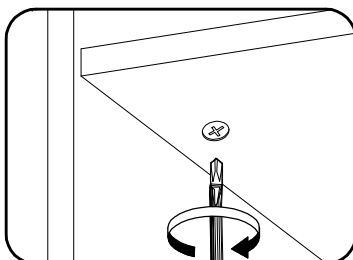
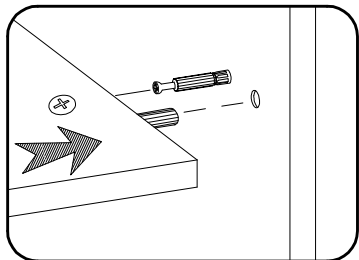
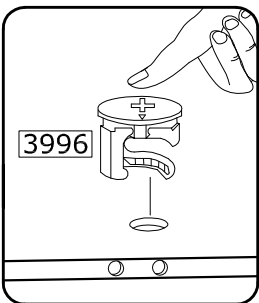
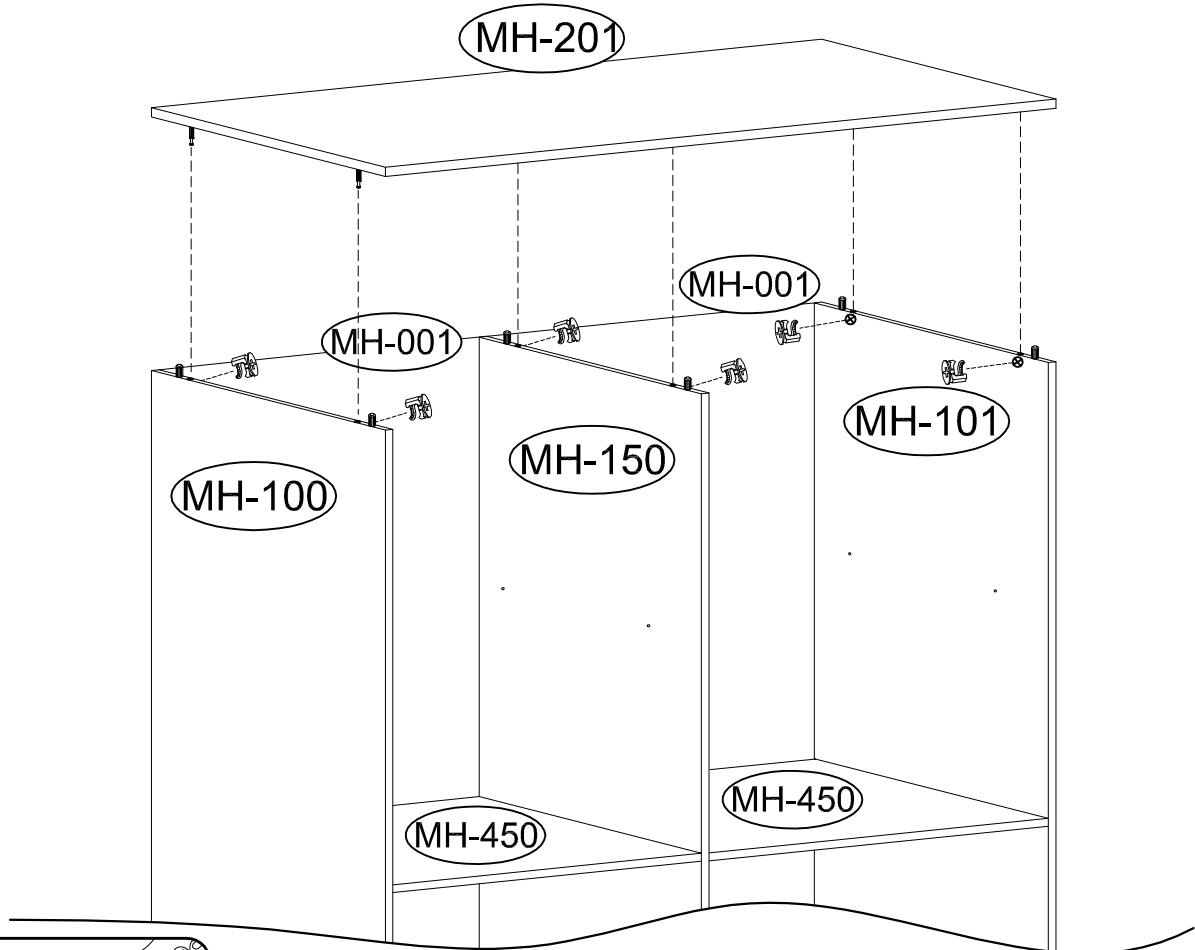
# 11

4066  x6	83655  x2	3912  3,0X13 x8	
--	---	---	--




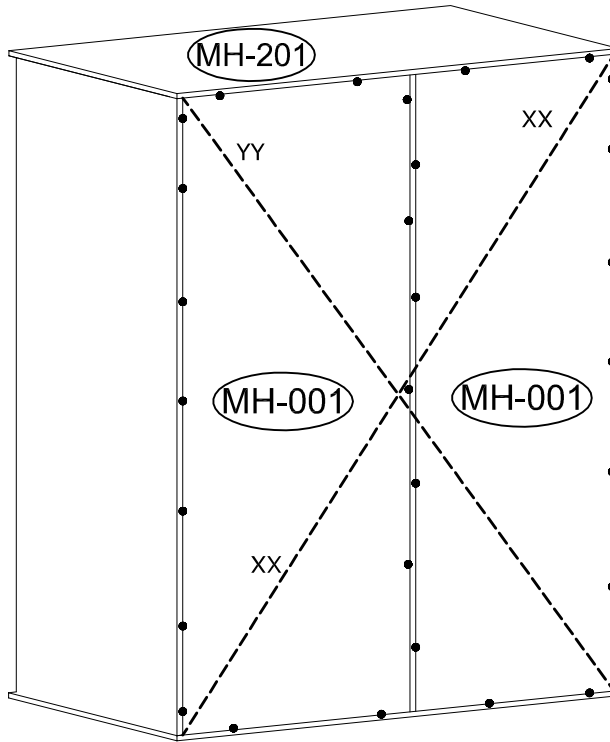
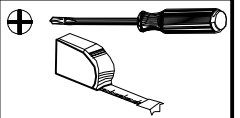
# 12

3996  x6	136236  x6	
---	---	---




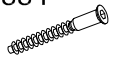
# 13

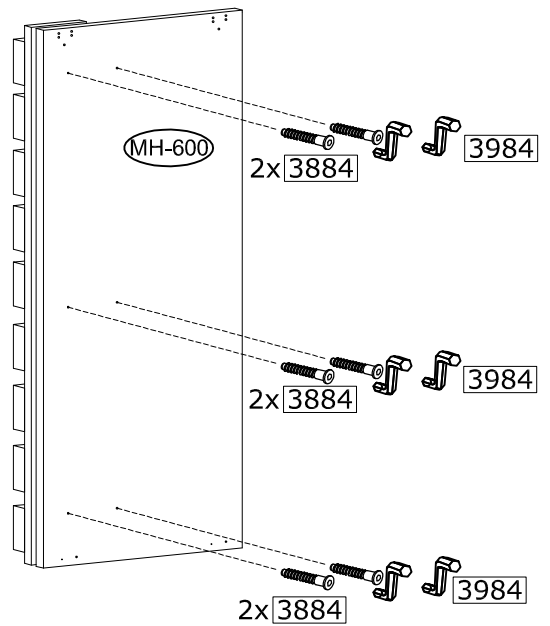
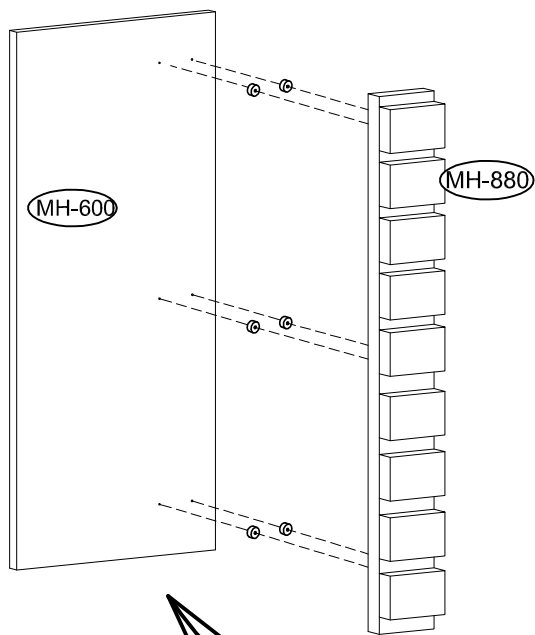
4044  
 x24



# 14

IN01032  
 x6

3884  
 x6



180°

# 15

IN01006



x2

IN01007



x2

3923

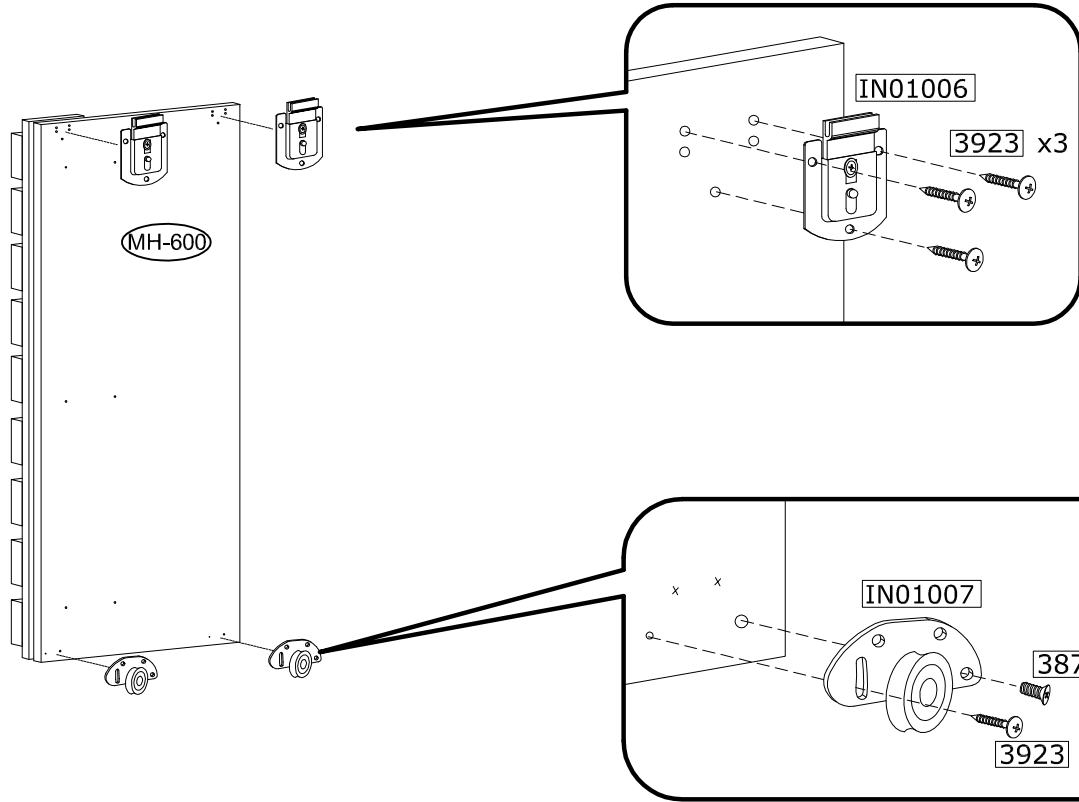


x8

3879



x2



# 16

IN01006



x2

IN01007



x2

3923



x8

3879

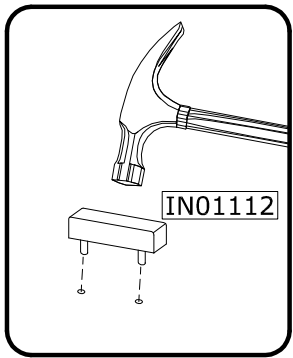
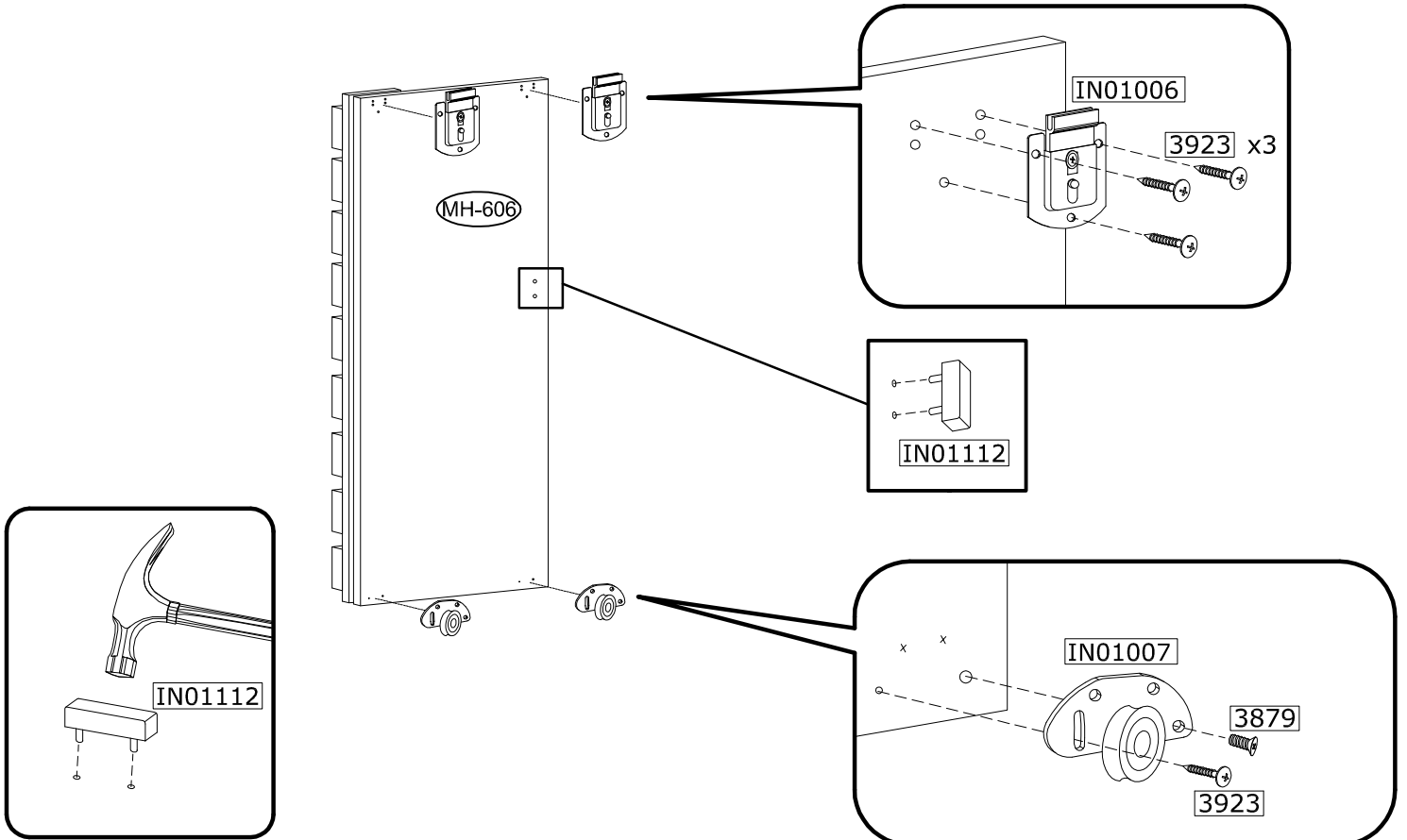
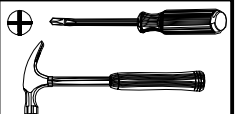


x2

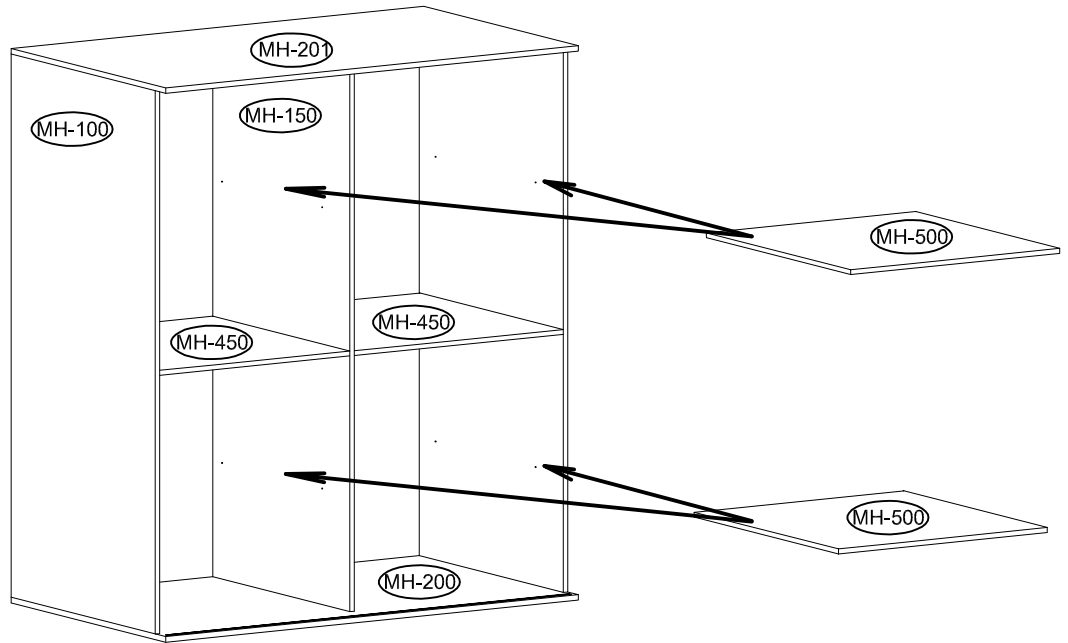
IN01112



x1

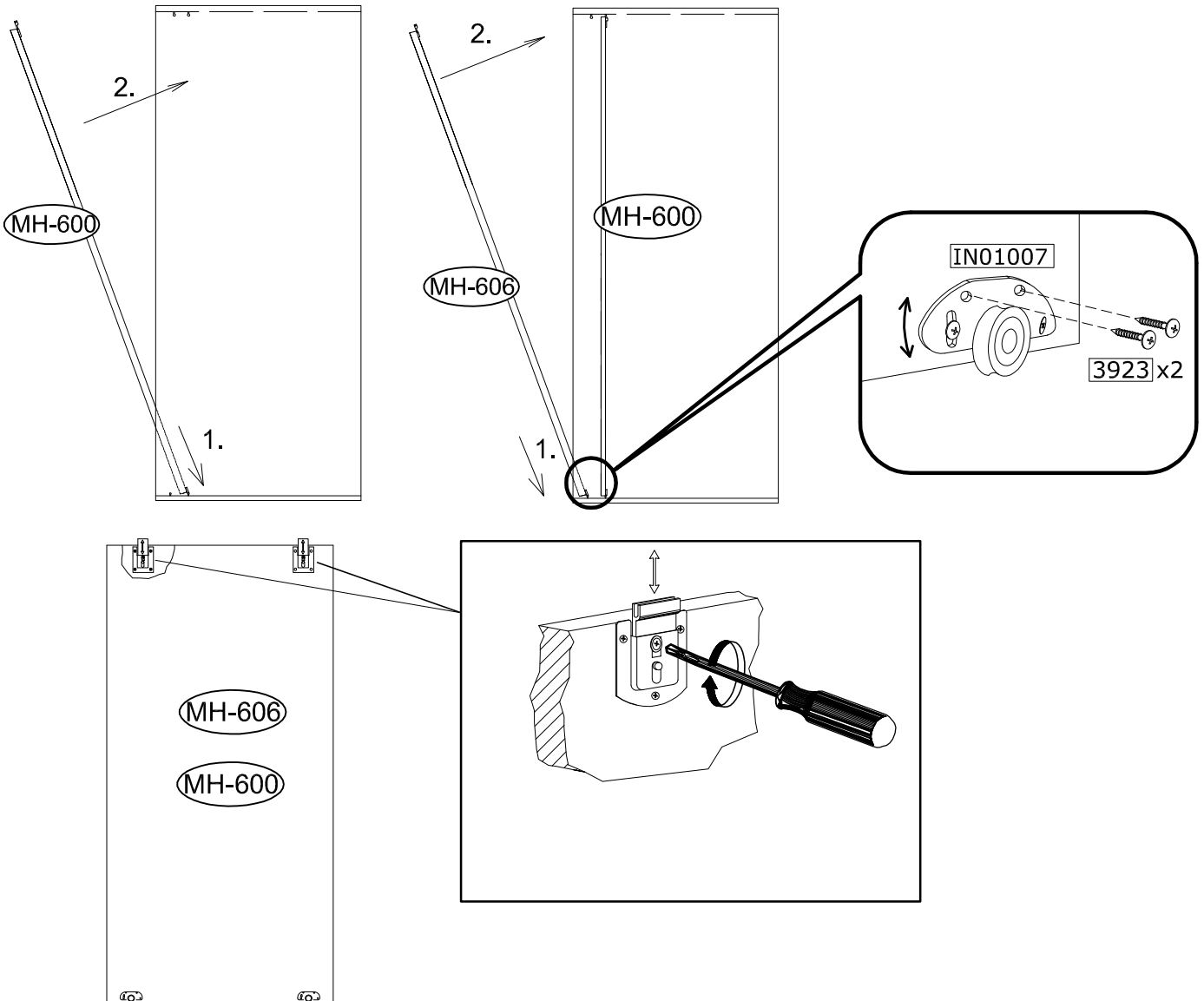


# 17



# 18

3923



# 19

71900

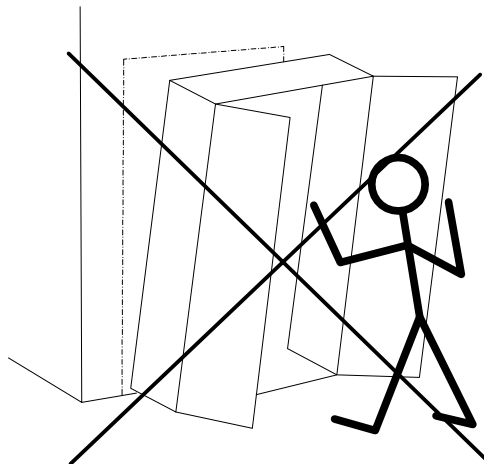
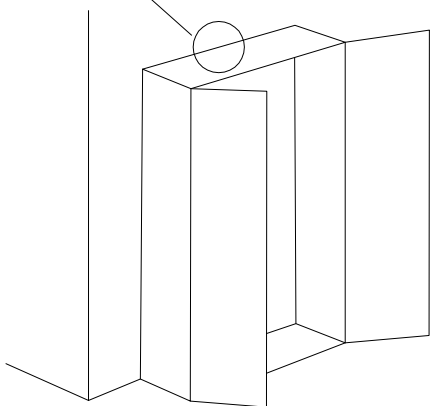
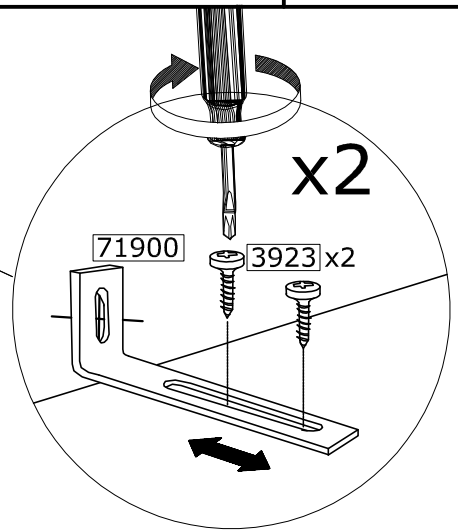
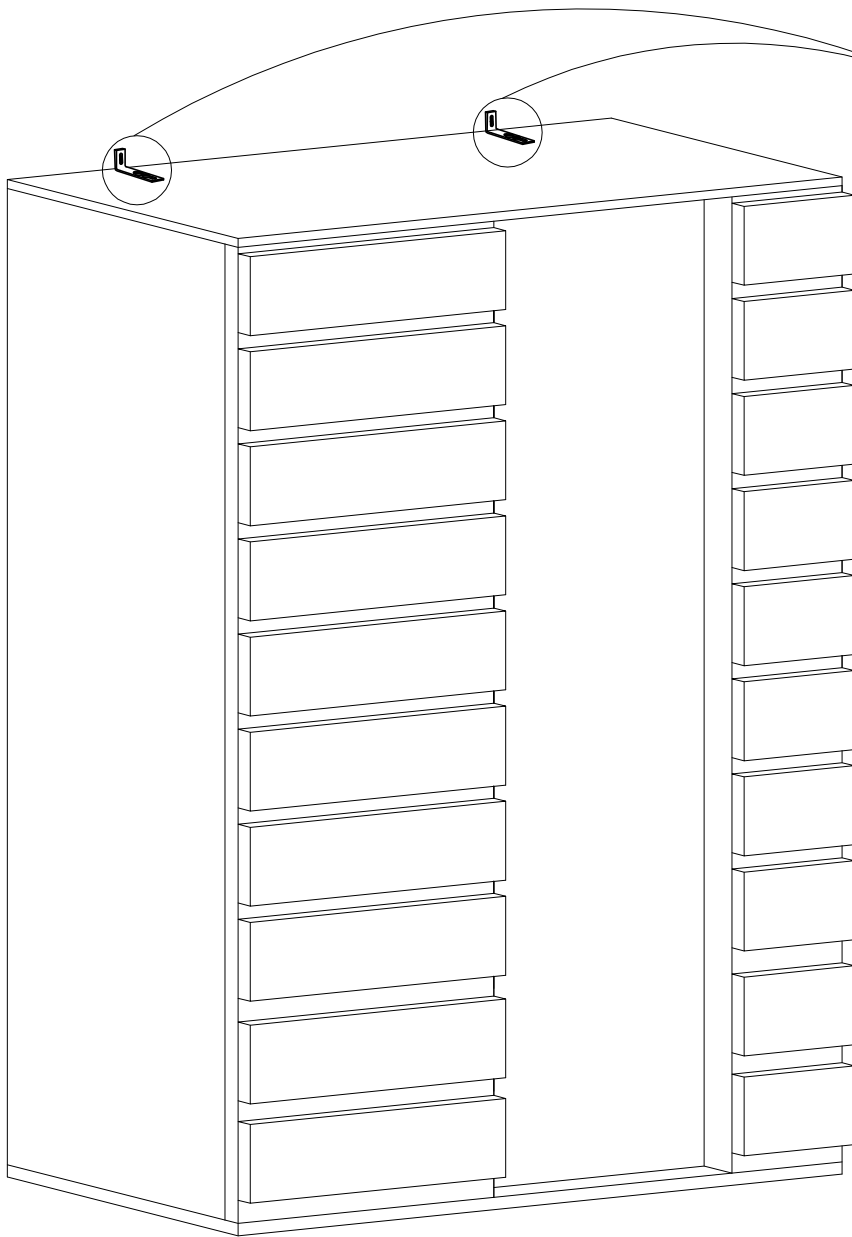


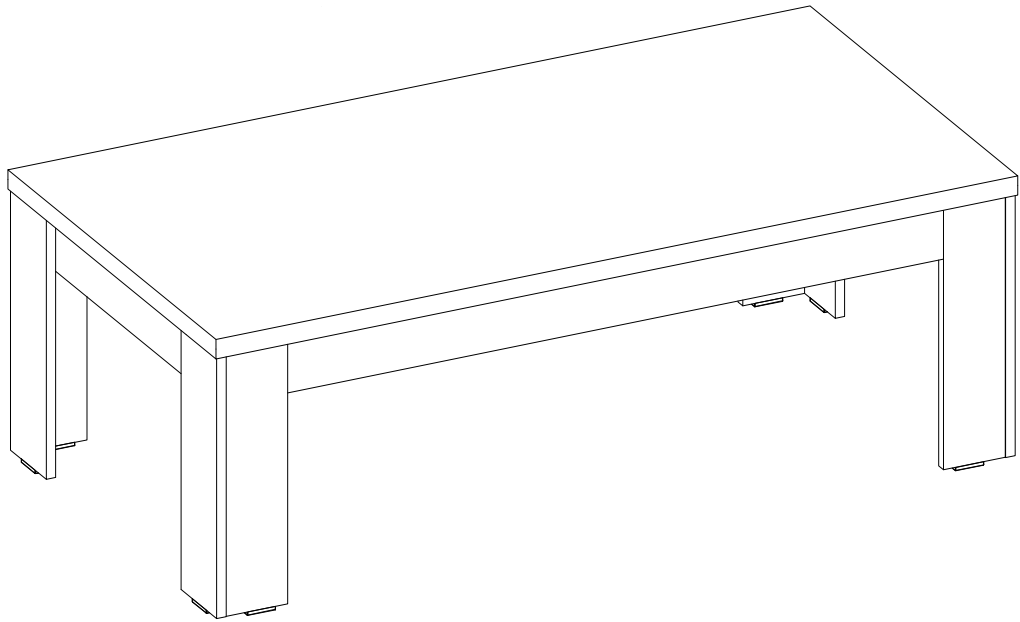
x2

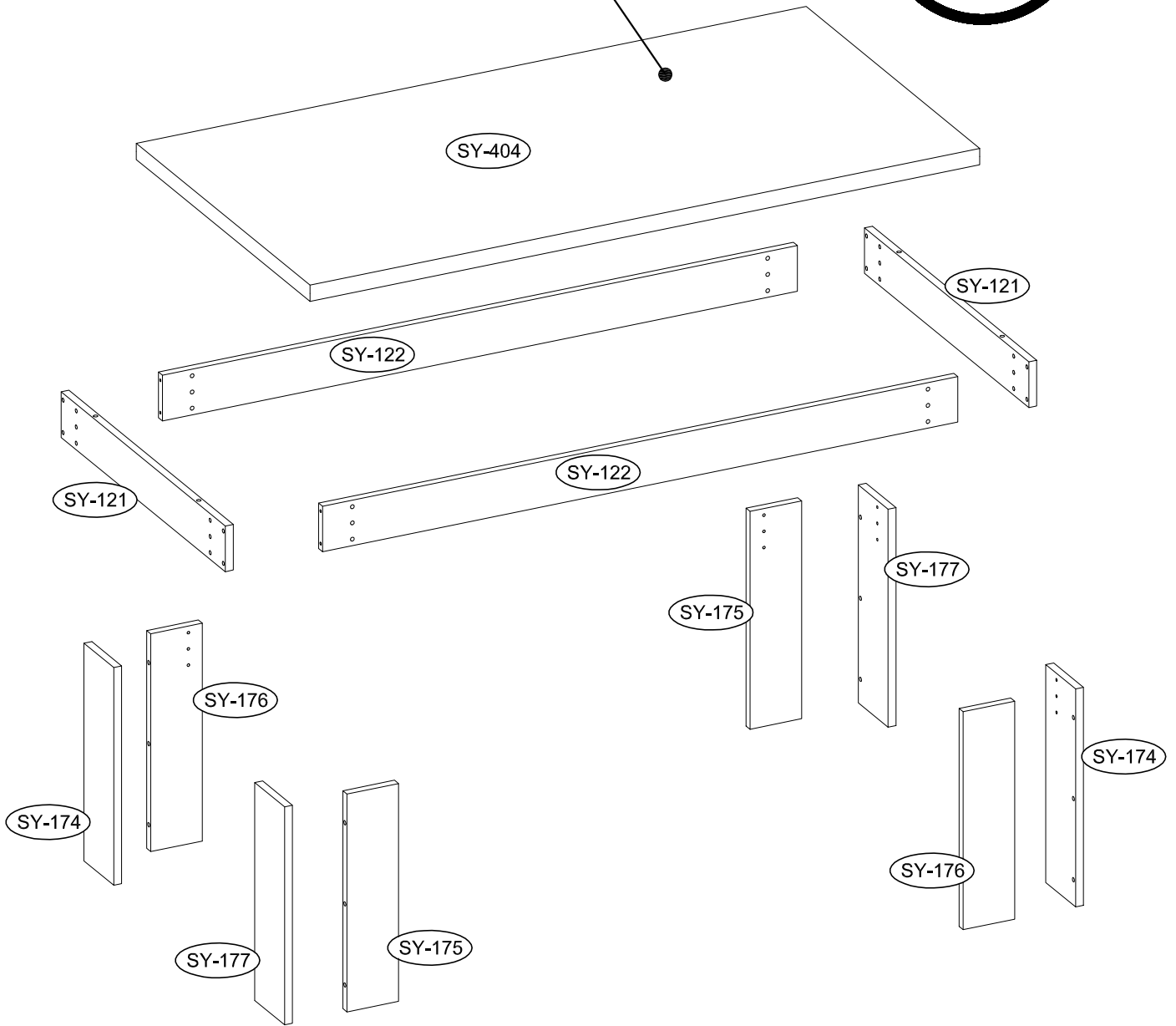
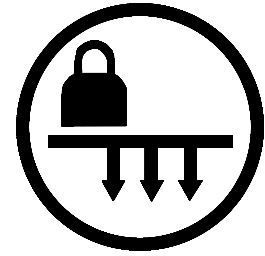
3923

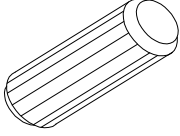

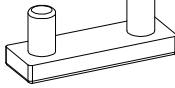
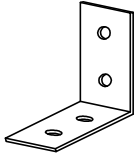

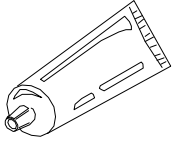
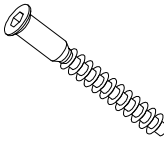
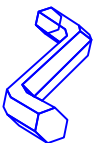


x4

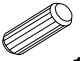
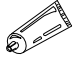
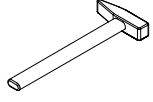


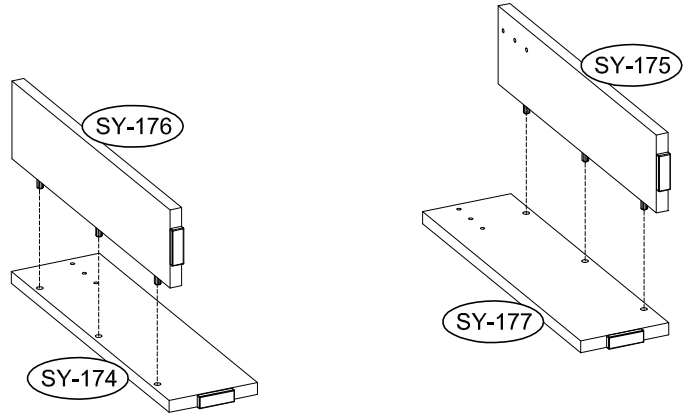
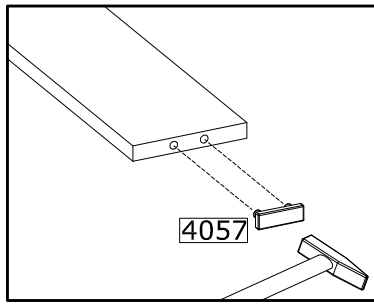
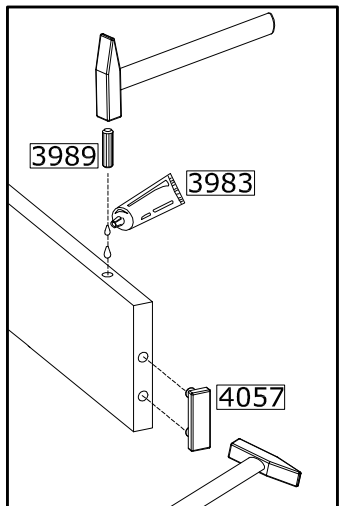
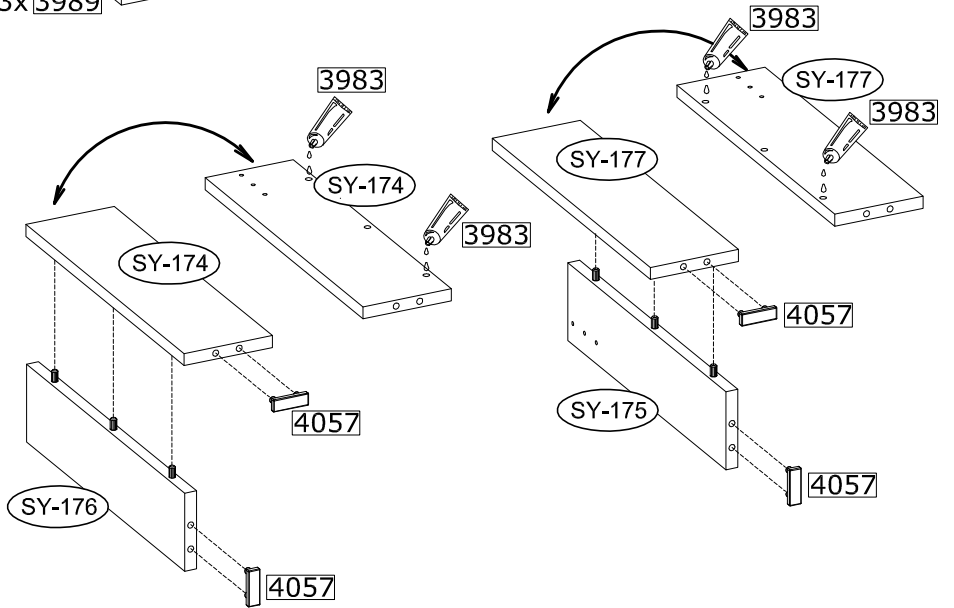
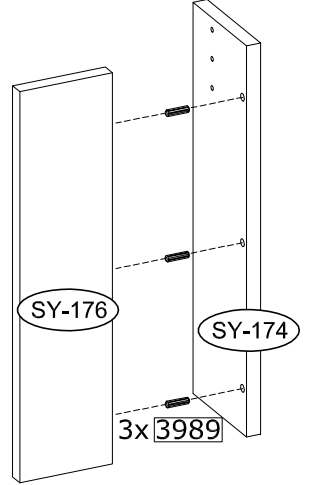
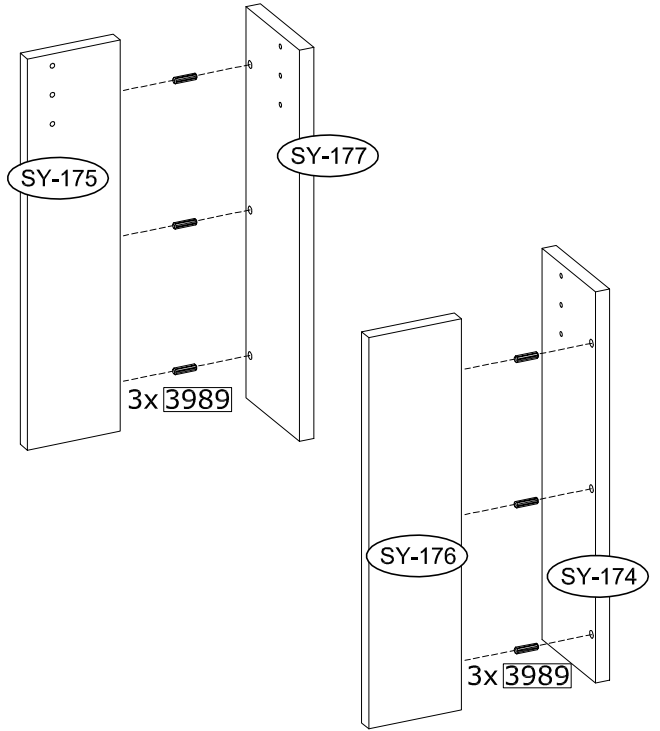
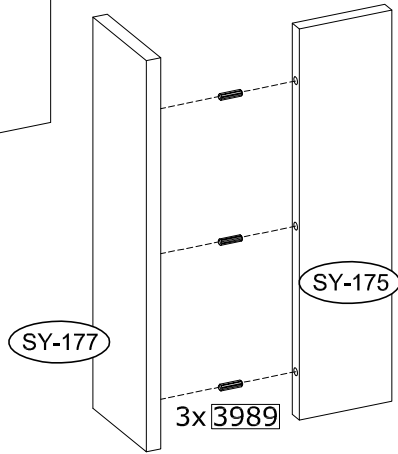
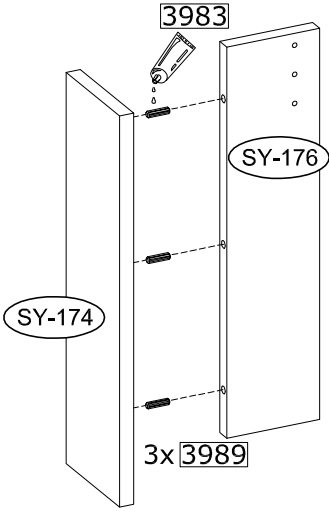




3989  Ø8x30mm      x16	IN01617  Ø6.3x26mm      x24	4057  x8	3981  40x40x18 mm      x8
3918  Ø3,5x16mm      x32	3983  x3	3884  x8	3984  x1

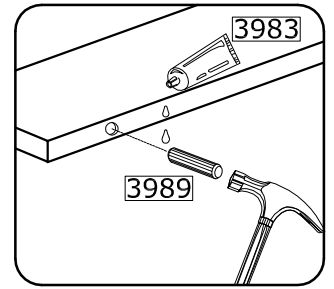
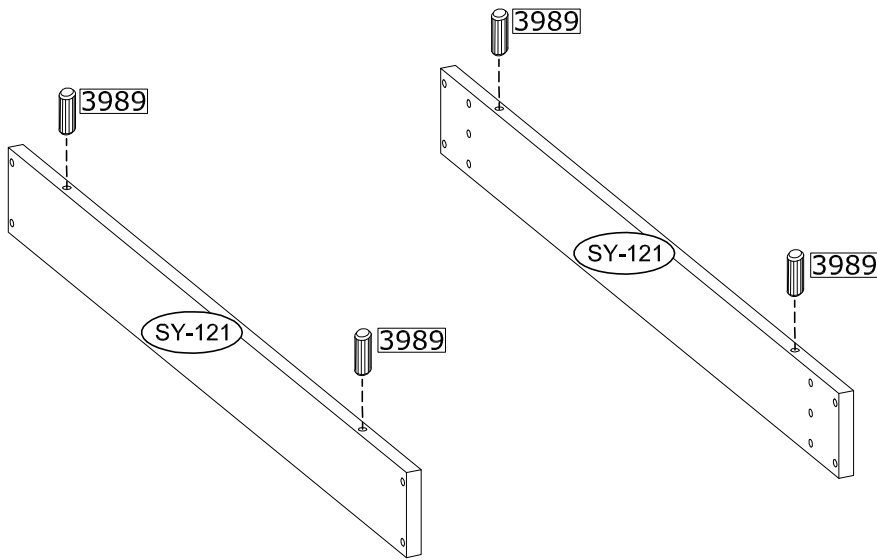
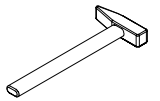
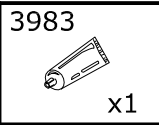
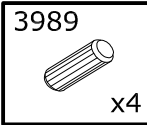
# 1

3989  x12	3983  x1	4057  x8		
---	--	--	--	--

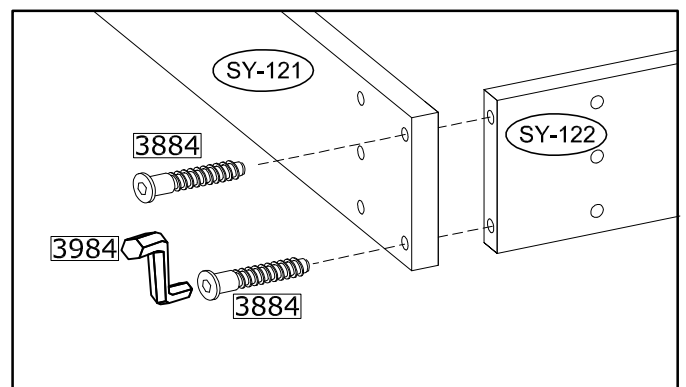
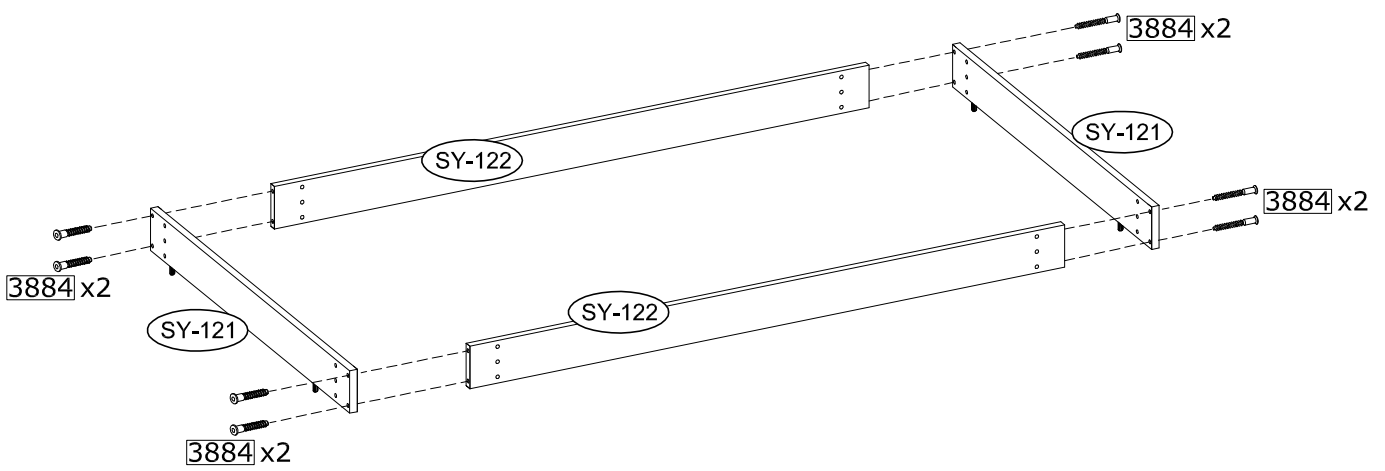
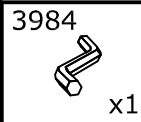




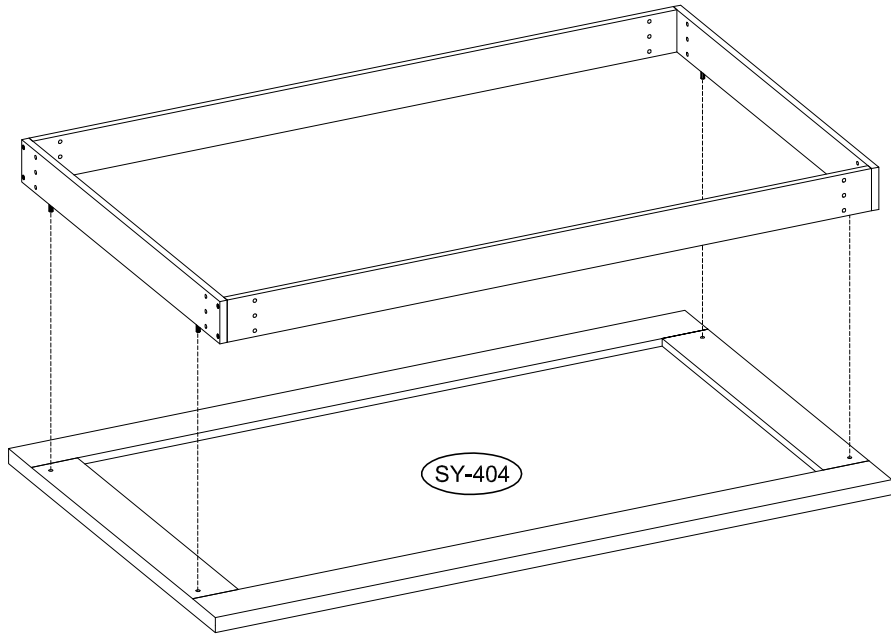
# 2



# 3



# 4



SY-404

# 5

3981

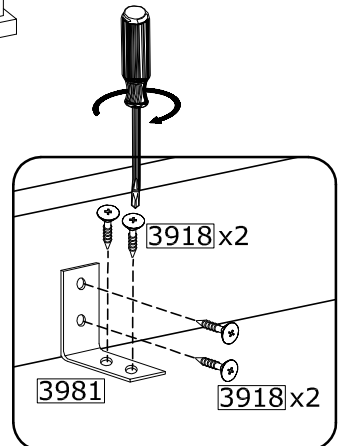
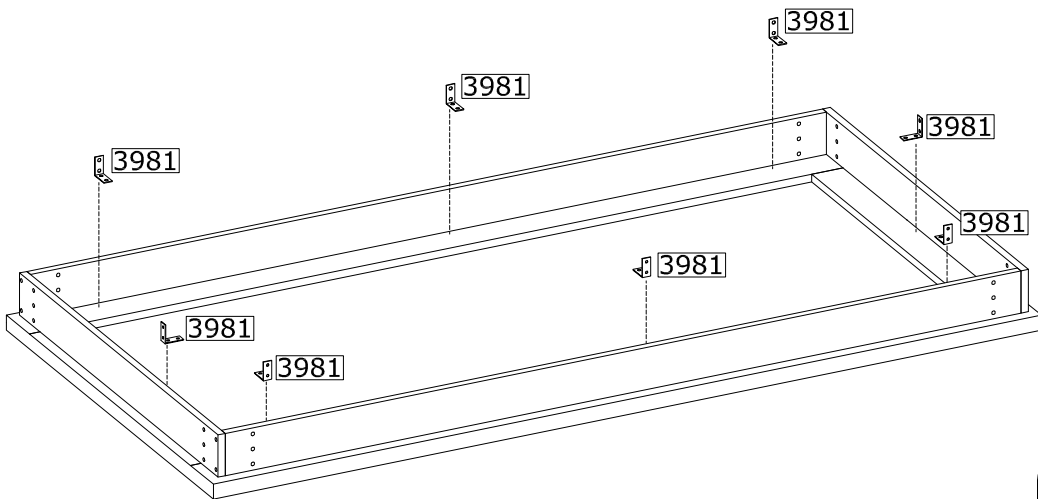
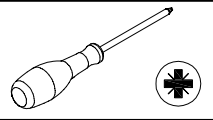


x8

3918



x32

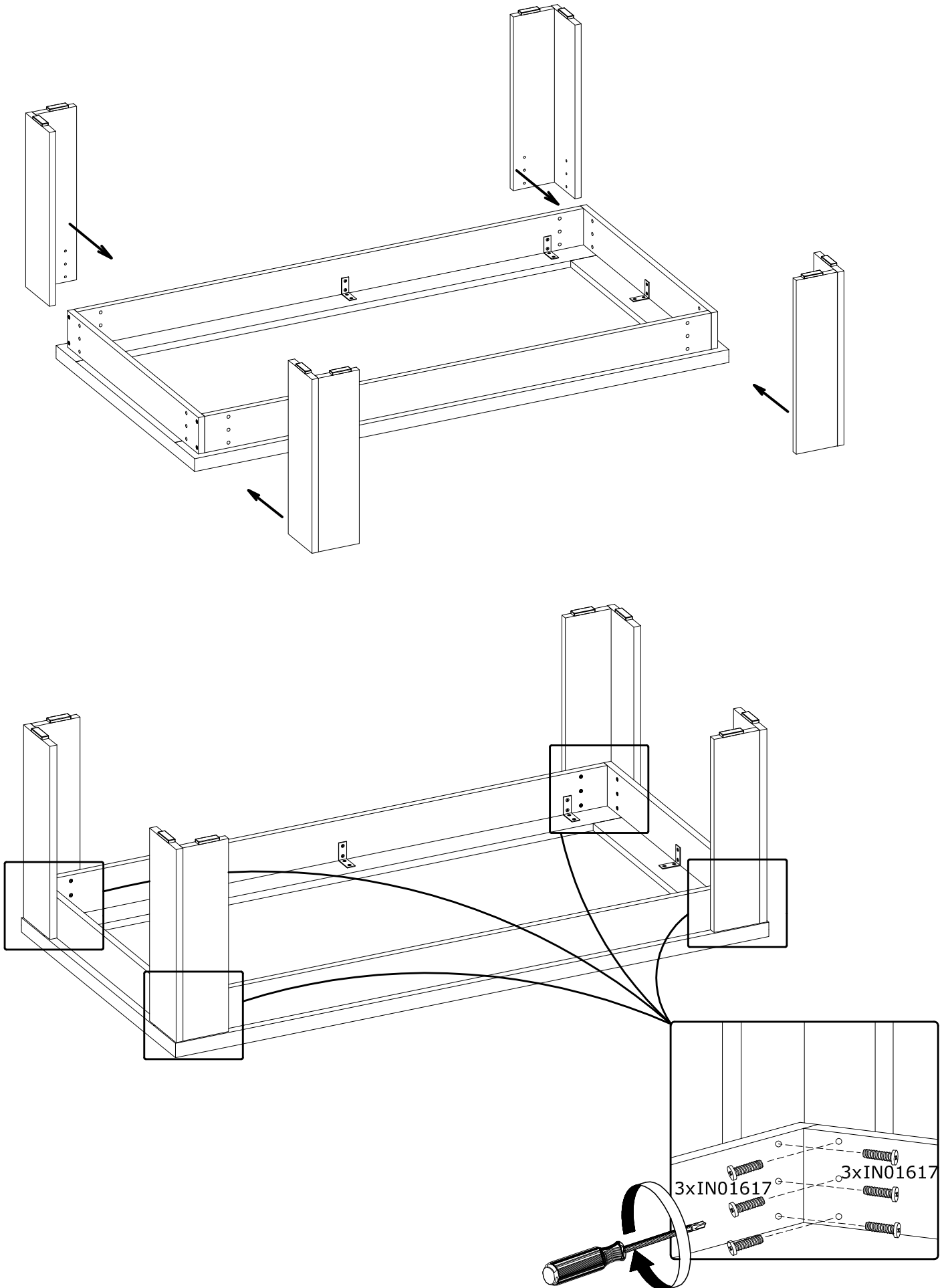
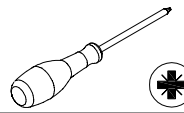


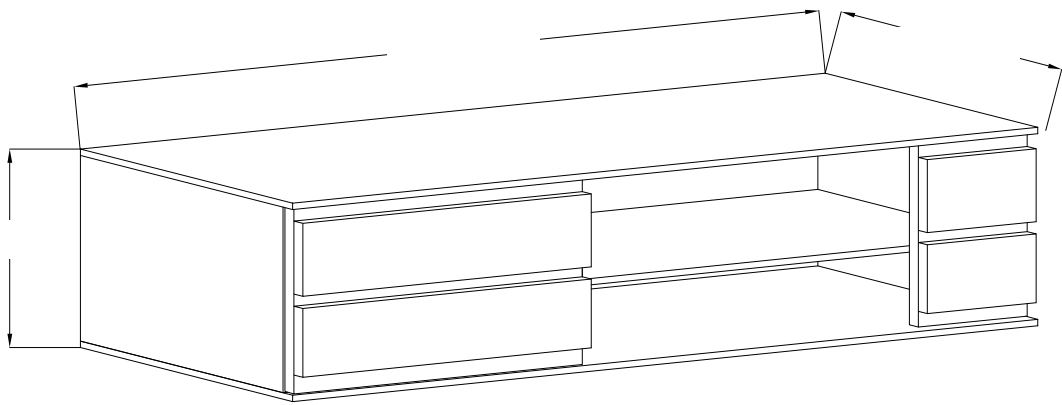
# 6

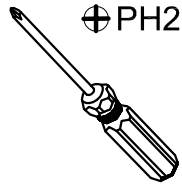
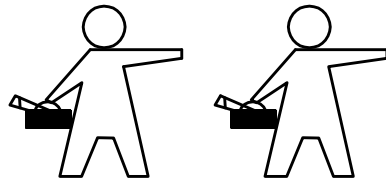
IN01617



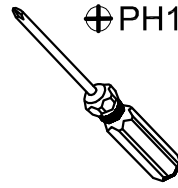
x24



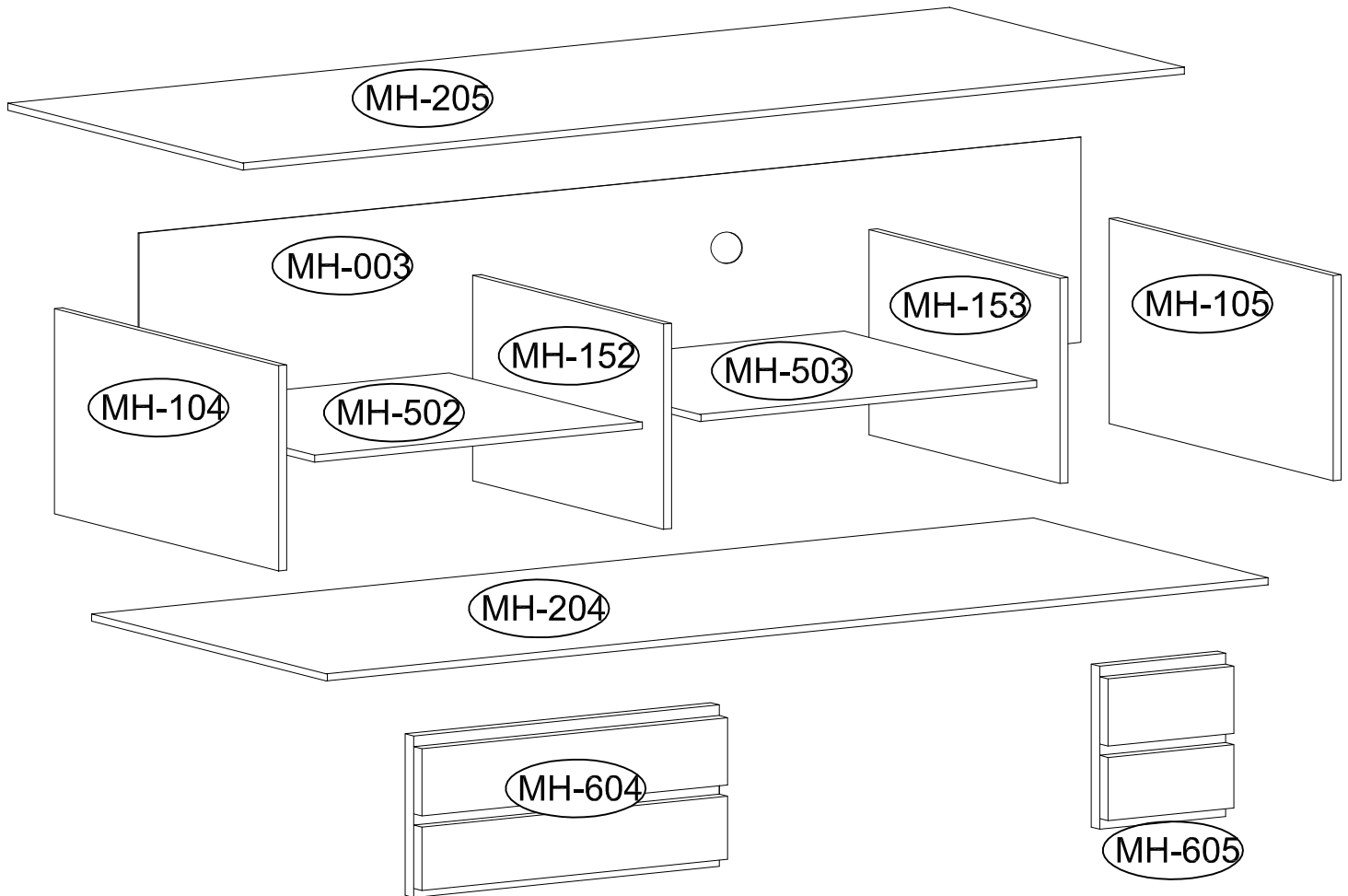
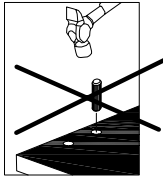
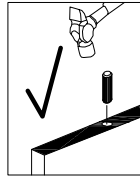
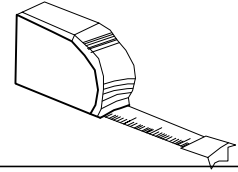


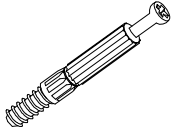


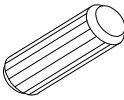
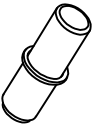


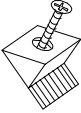
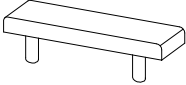
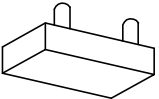
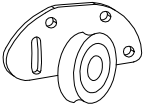
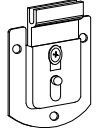

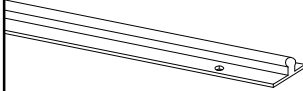
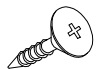


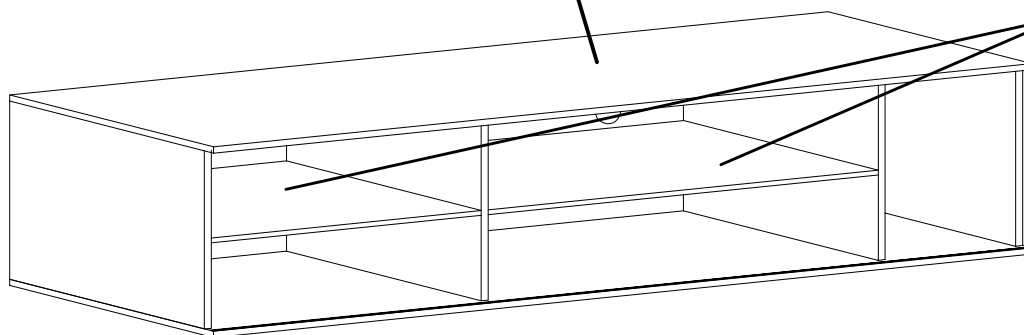
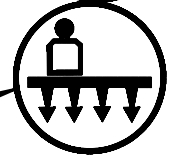
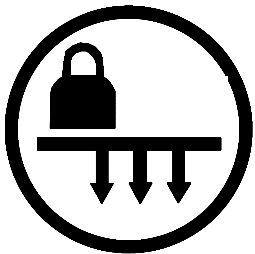
⊕PH2



⊕PH1

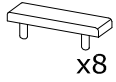


<p>4066</p>  <p>Ø6.5x36.5mm x16</p>	<p>3996</p>  <p>Ø15x16mm x16</p>	<p>136236</p>  <p>Ø20 x16</p>	<p>3989</p>  <p>Ø8x30mm x16</p>
<p>4017</p>  <p>x8</p>	<p>3879</p>  <p>Ø6.3x13mm x4</p>	<p>3923</p>  <p>Ø4,0x16mm x28</p>	<p>4044</p>  <p>x12</p>
<p>4057</p>  <p>x8</p>	<p>IN01112</p>  <p>H-20 mm x2</p>	<p>IN01007</p>  <p>x4</p>	<p>IN01006</p>  <p>x4</p>
<p>30585</p>  <p>x1</p>	<p>83658</p>  <p>x2</p>	<p>3912</p>  <p>Ø3,0x13mm x10</p>	

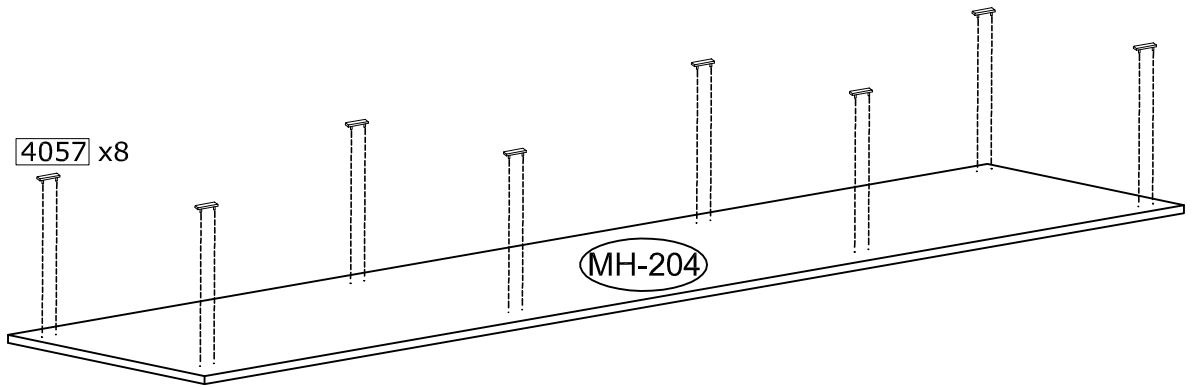
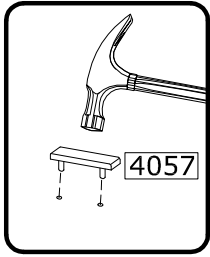


# 1

4057



x8



# 2

4066



x8

83658

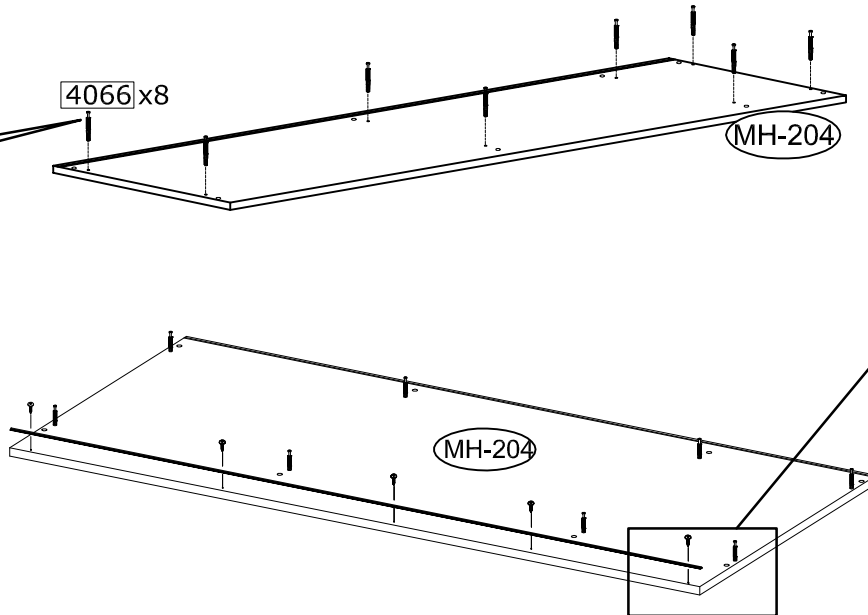
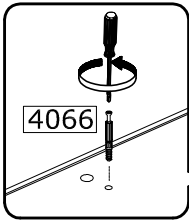


x1

3912



3,0X13 x5



# 3

4017

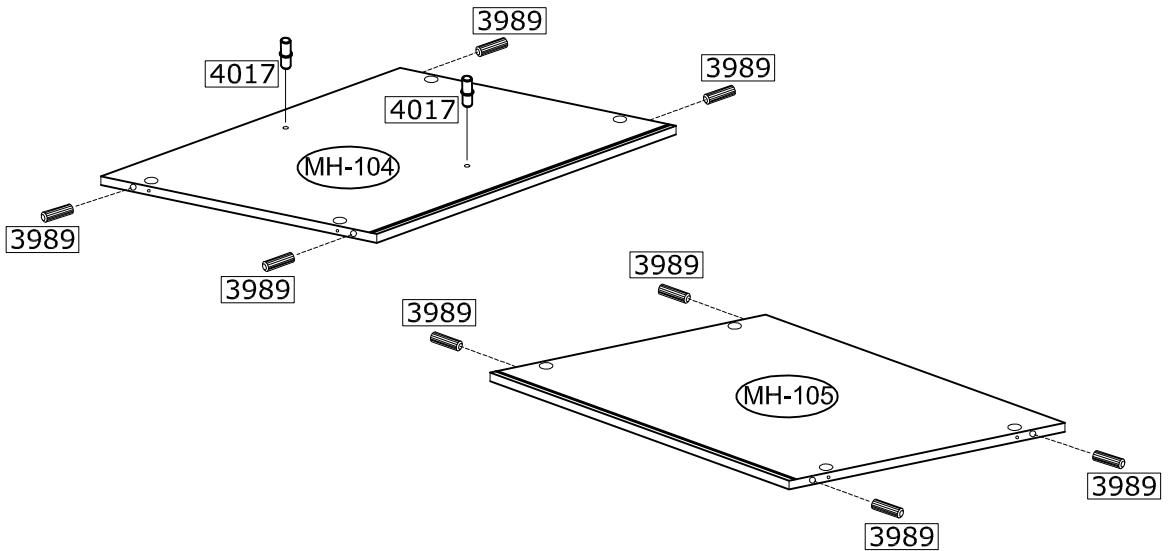
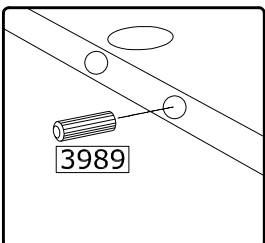
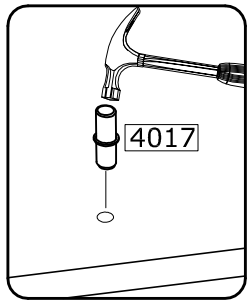


W-2

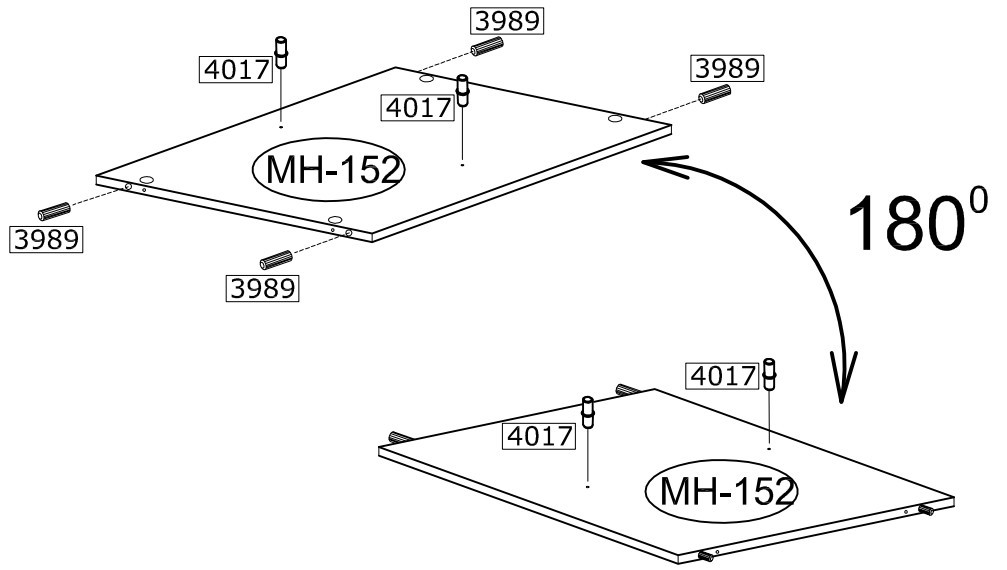
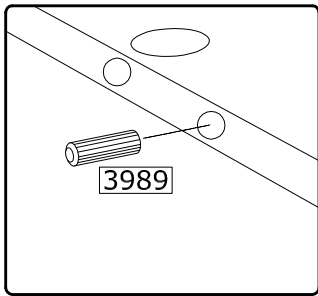
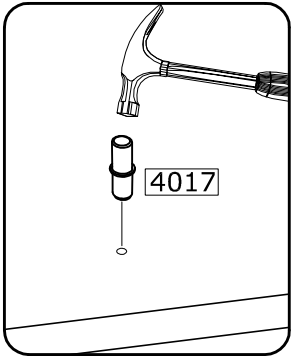
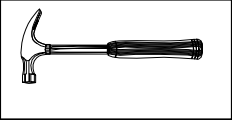
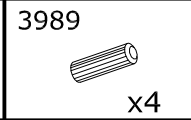
3989



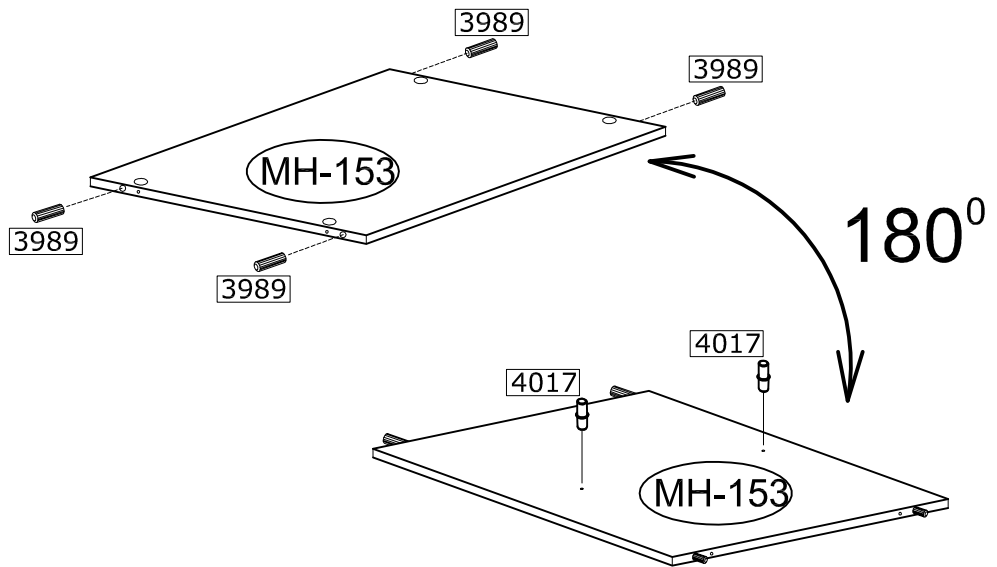
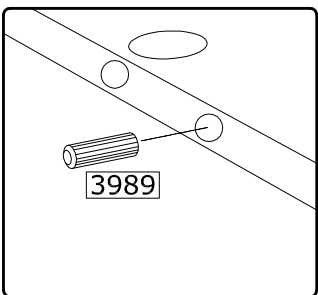
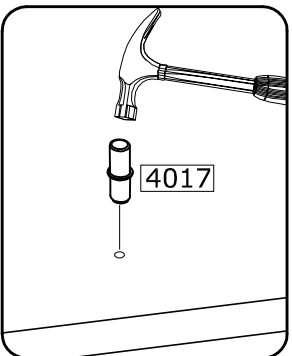
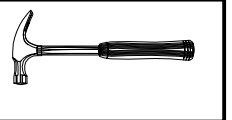
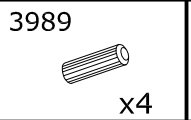
Dx8



# 4



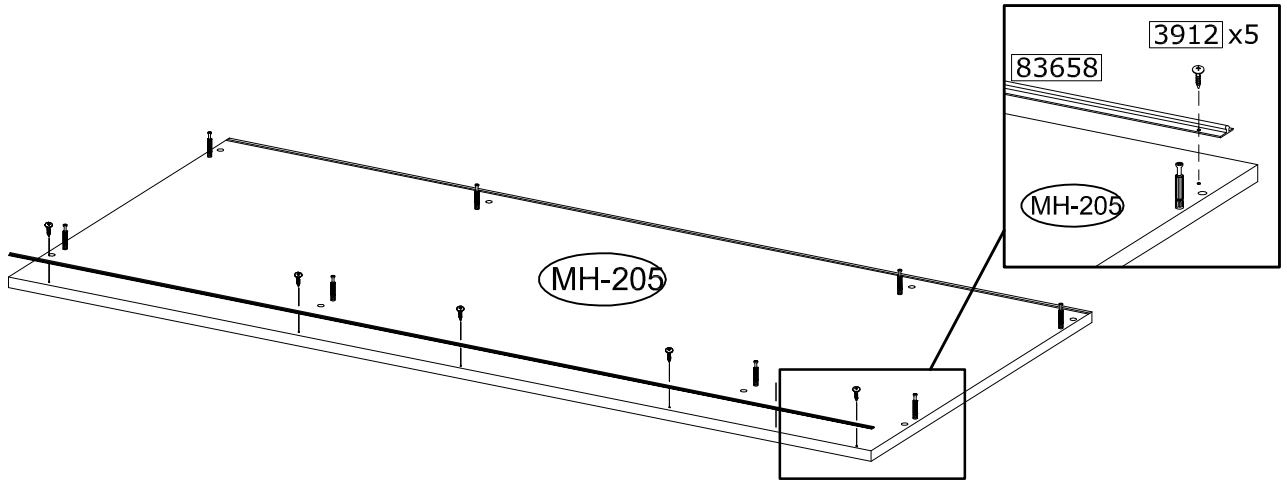
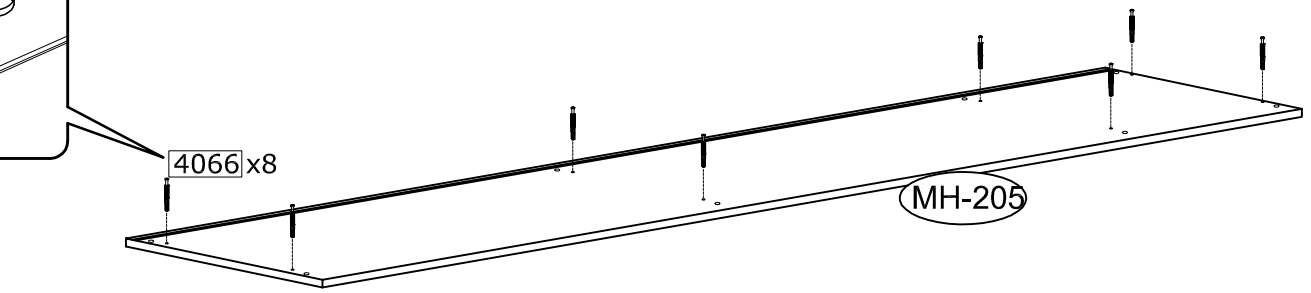
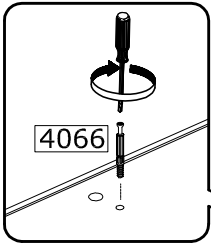
# 5





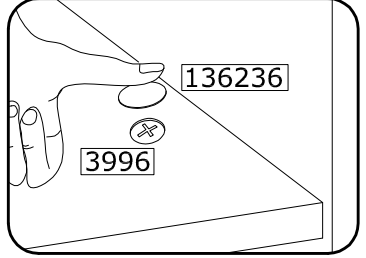
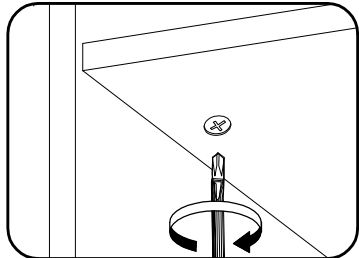
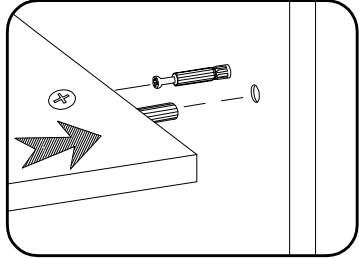
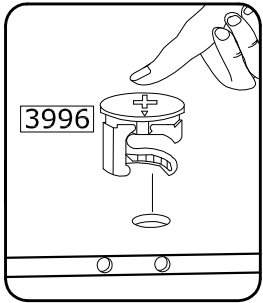
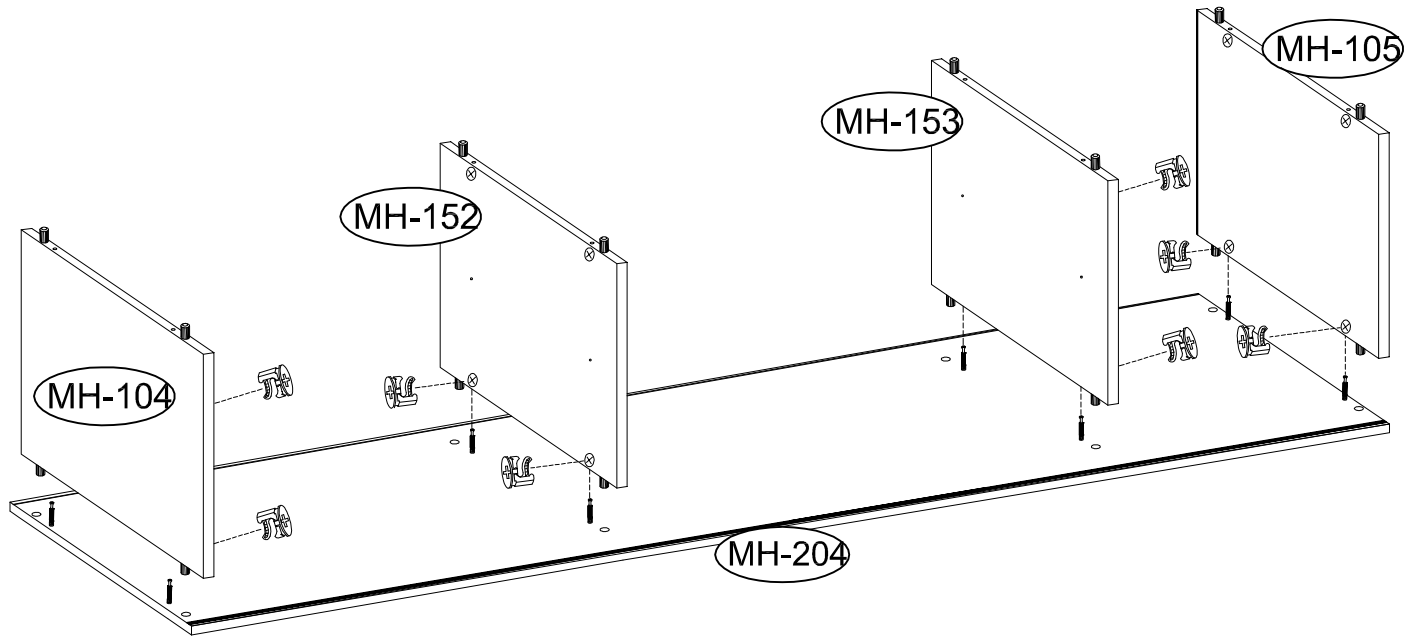
# 6

4066  x8	83658  x1	3912  3,0X13 x5	
--	---	---	--



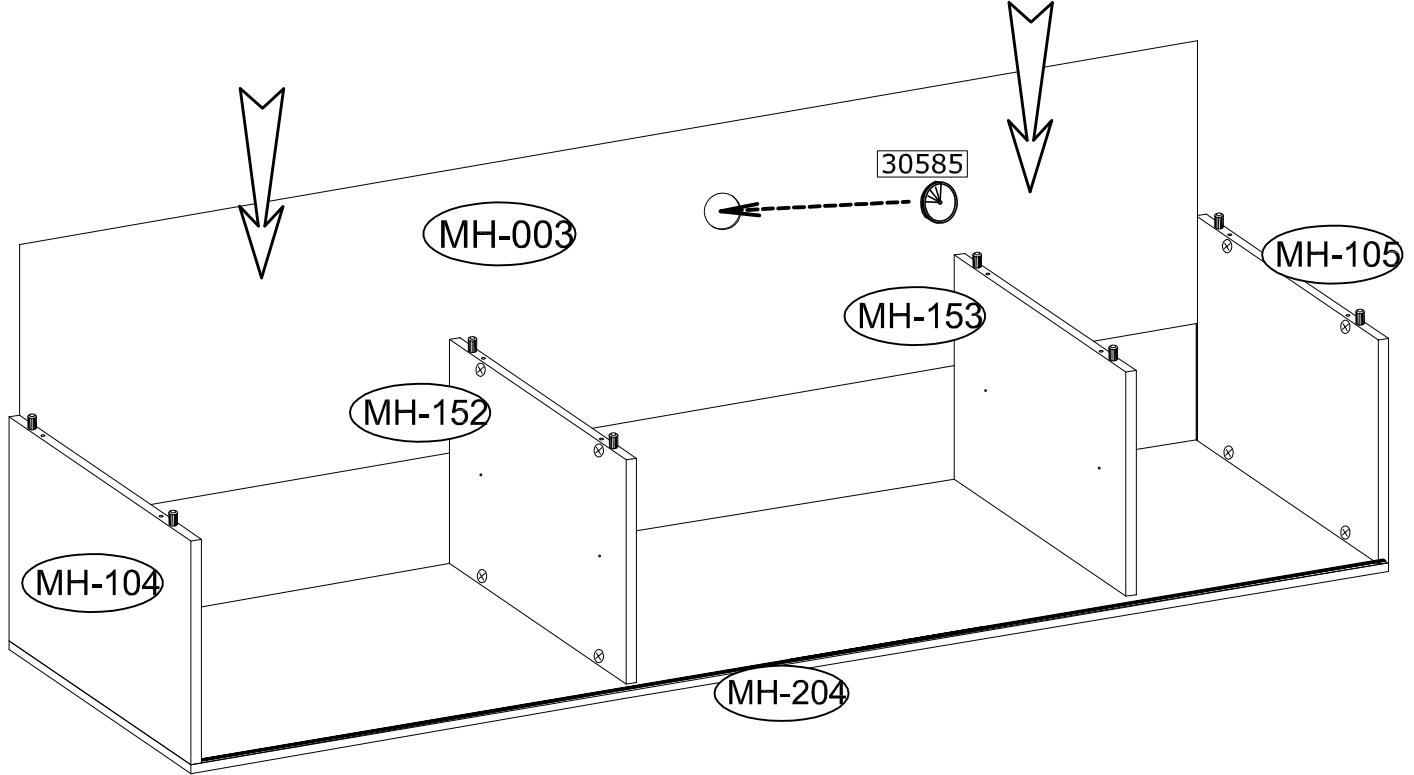
# 7

3996  x8	136236  x8		
---	---	--	---



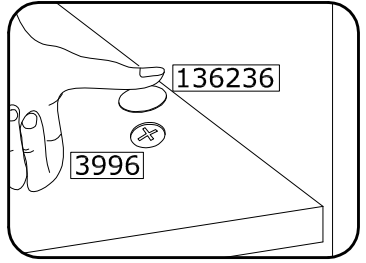
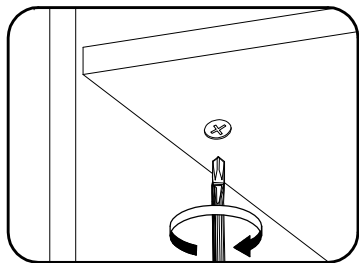
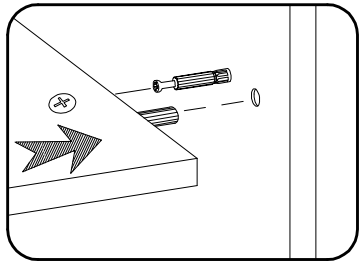
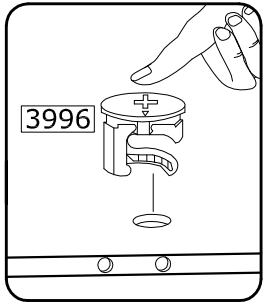
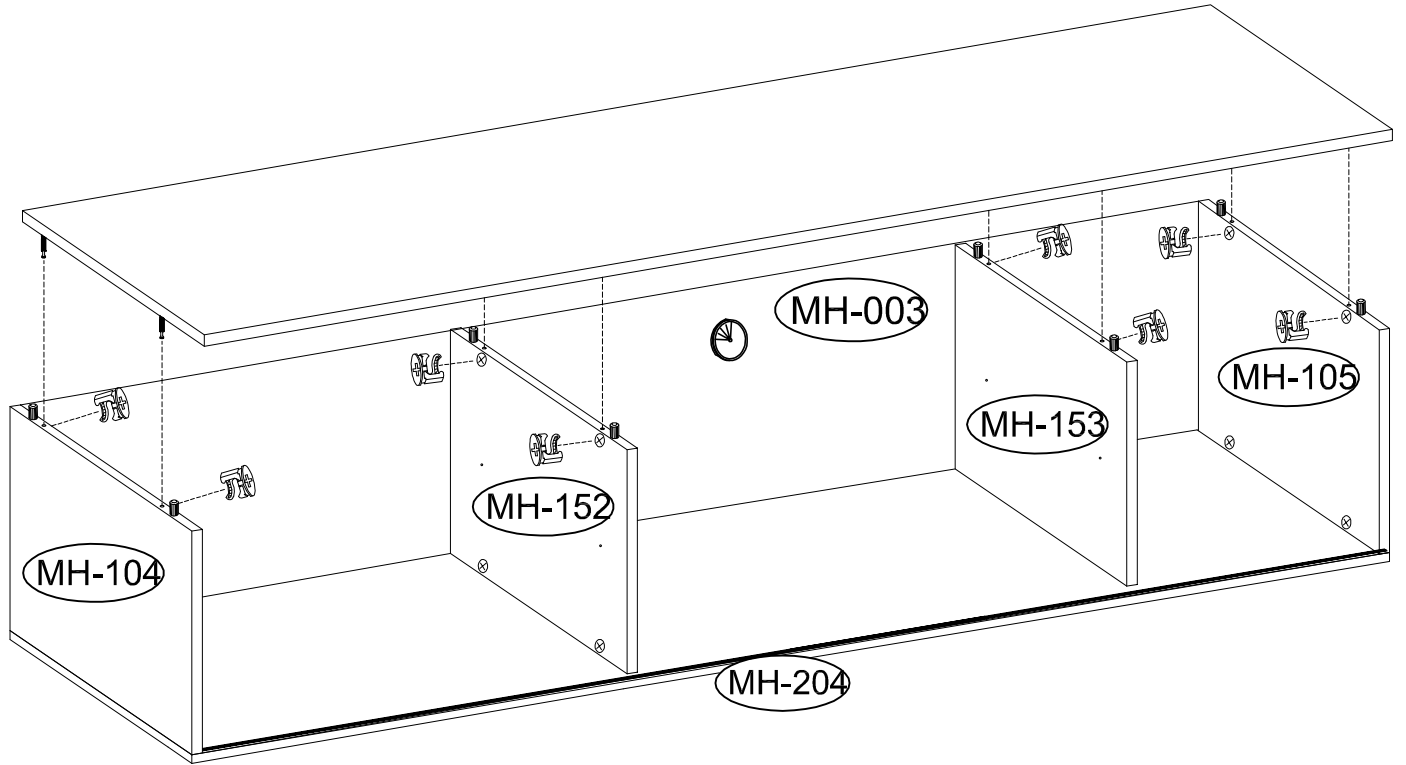
# 8

30585  x1		
---	--	--



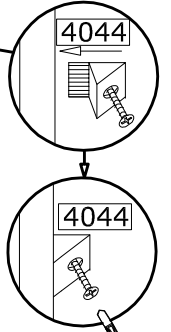
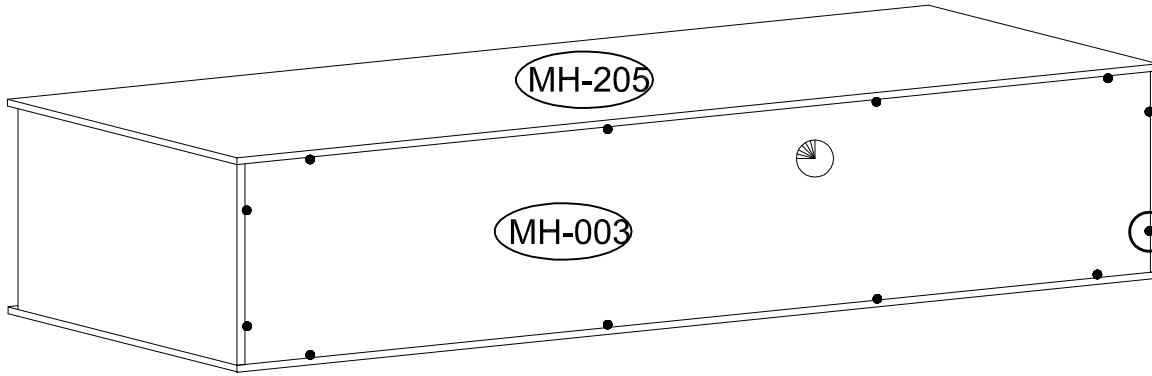
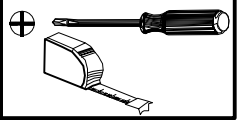
# 9

3996  x8	136236  x8	
--	--	---



# 10

4044



# 11

IN01006



x2

IN01007



x2

3923

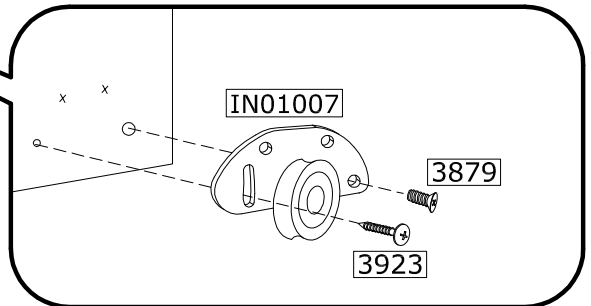
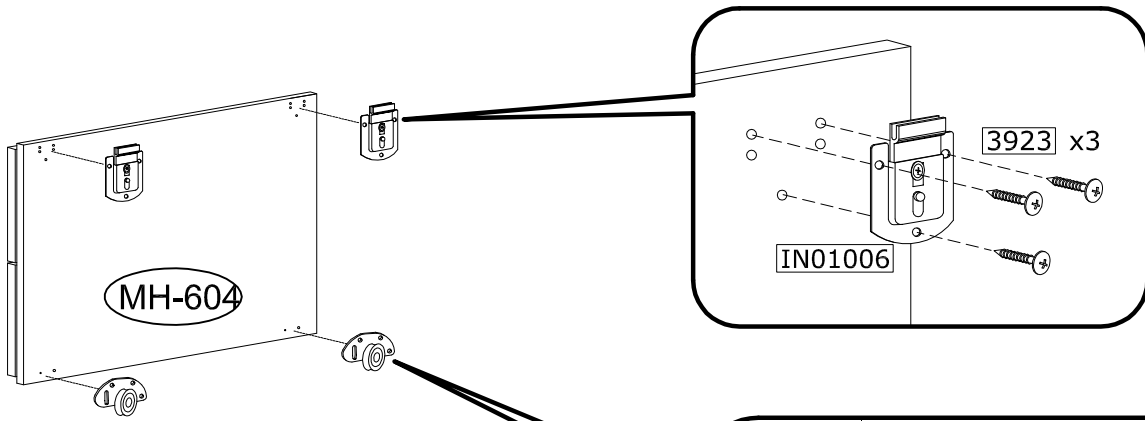


x8

3879



x2



# 12

IN01007



x2

IN01007



x2

3923

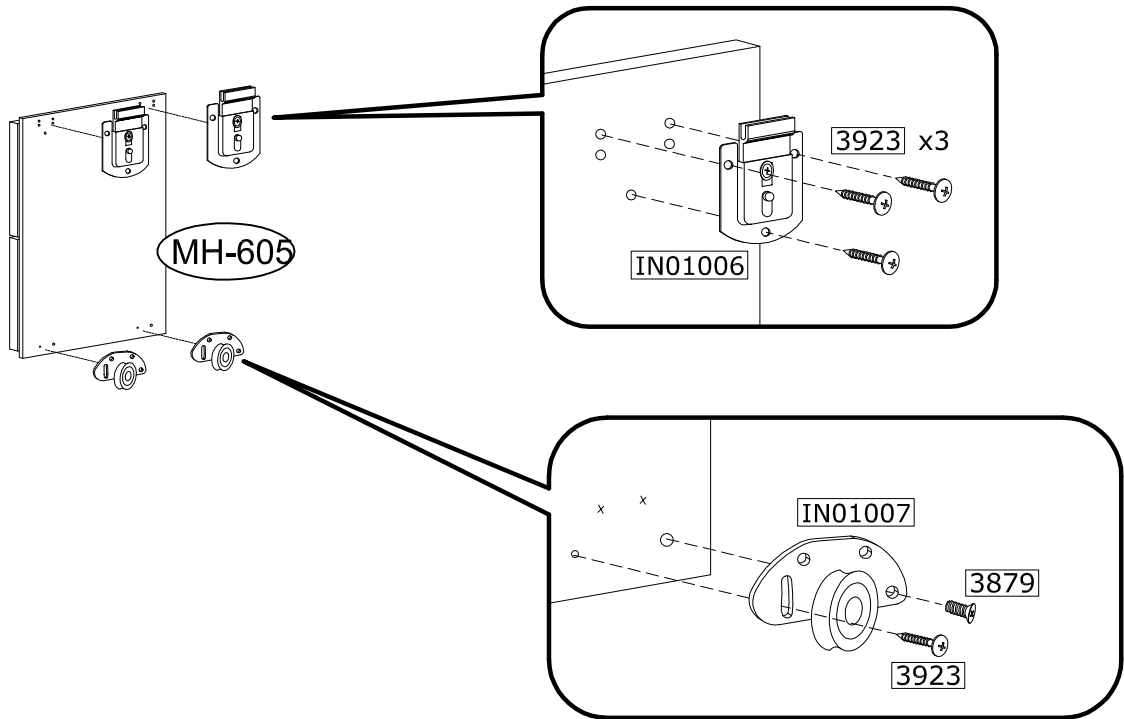


x8

3879



x2

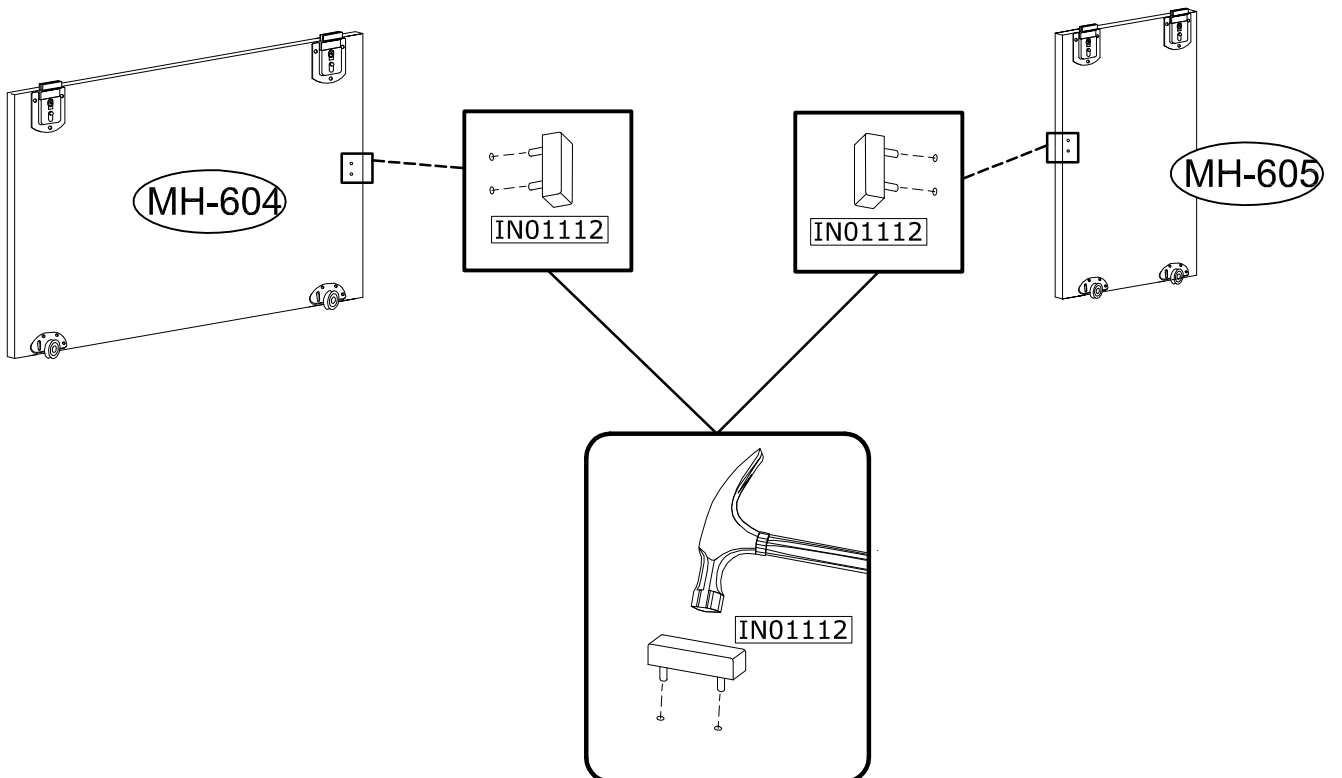


# 13

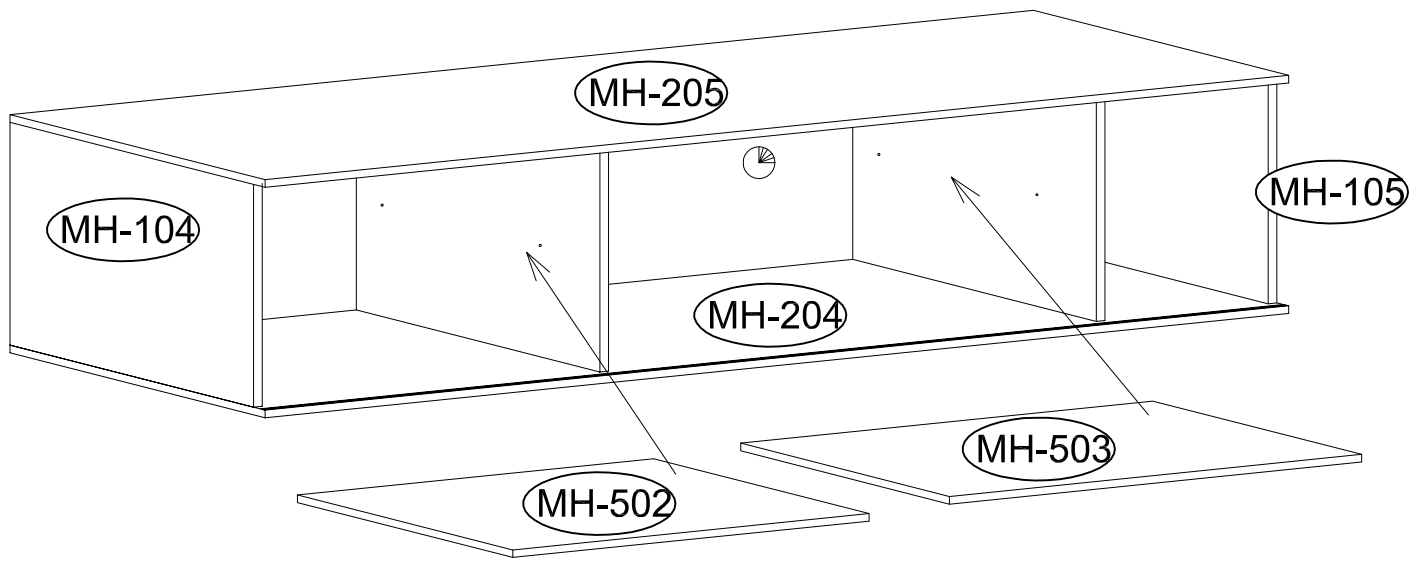
IN01112



x2



# 14

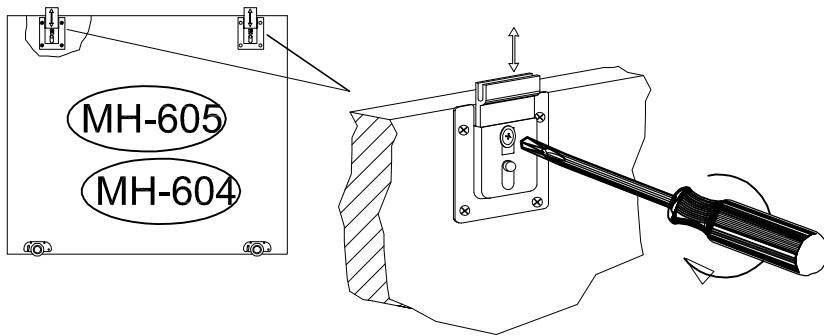
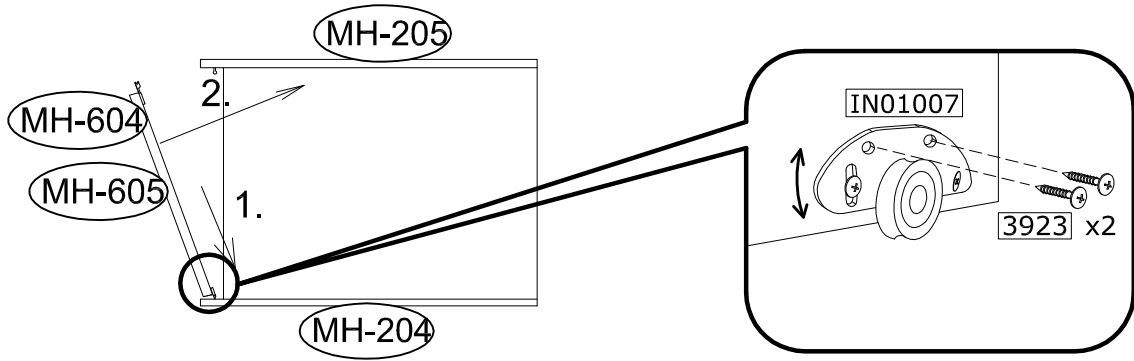


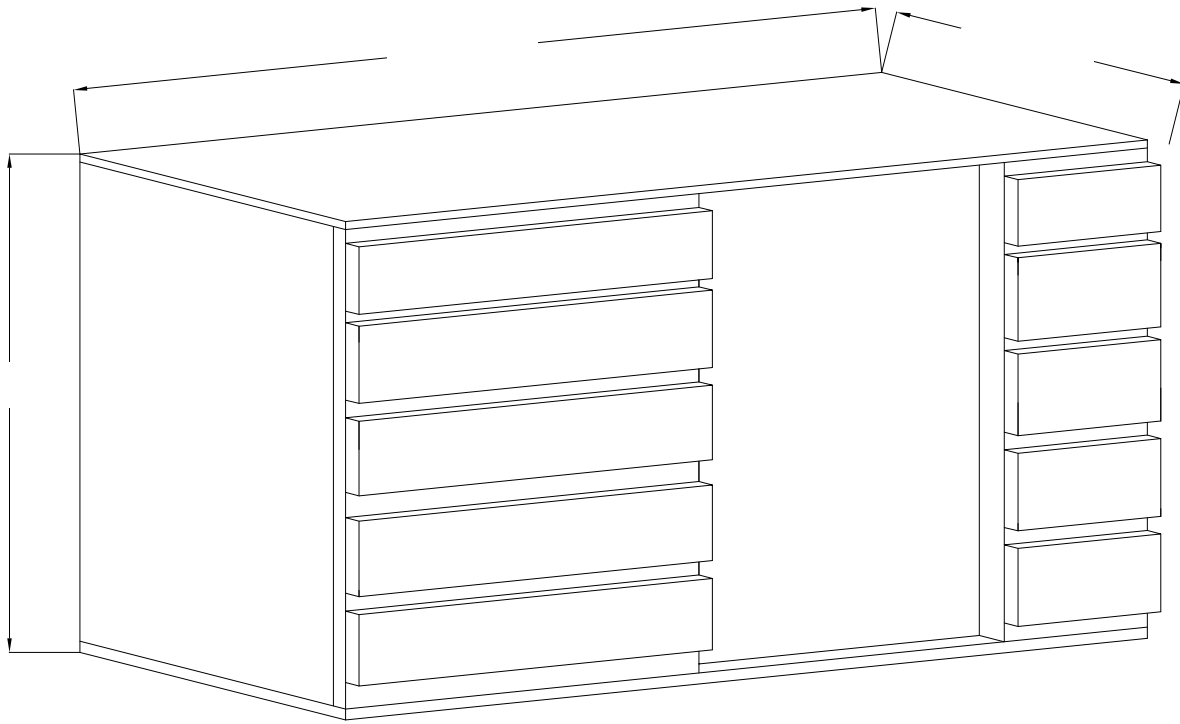
# 15

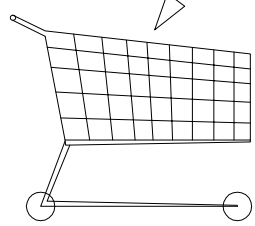
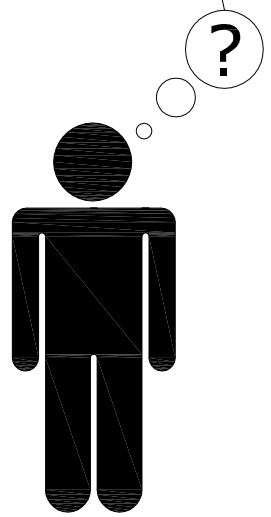
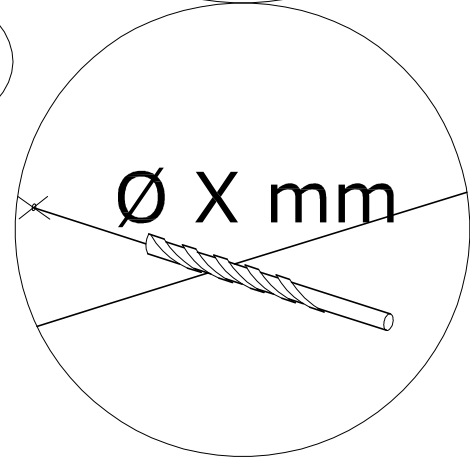
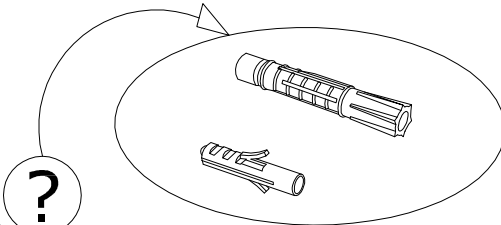
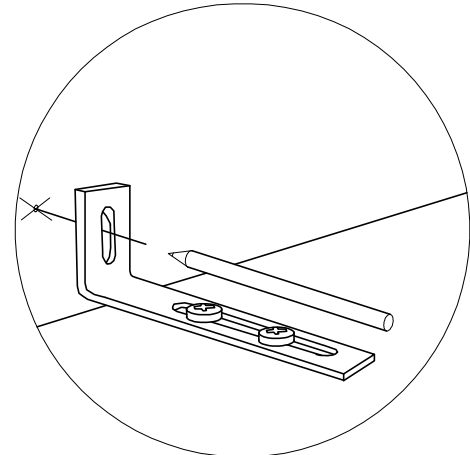
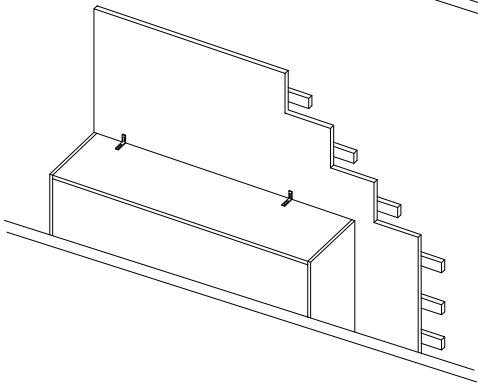
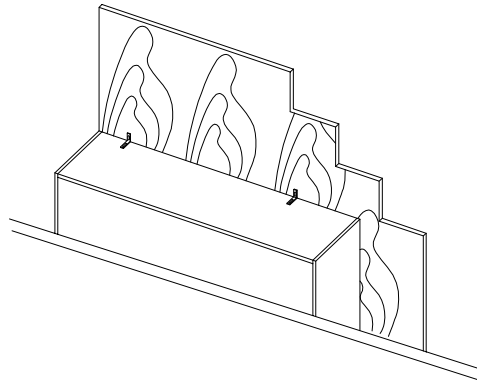
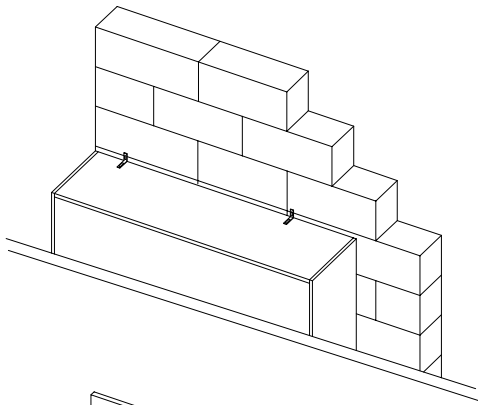
3923

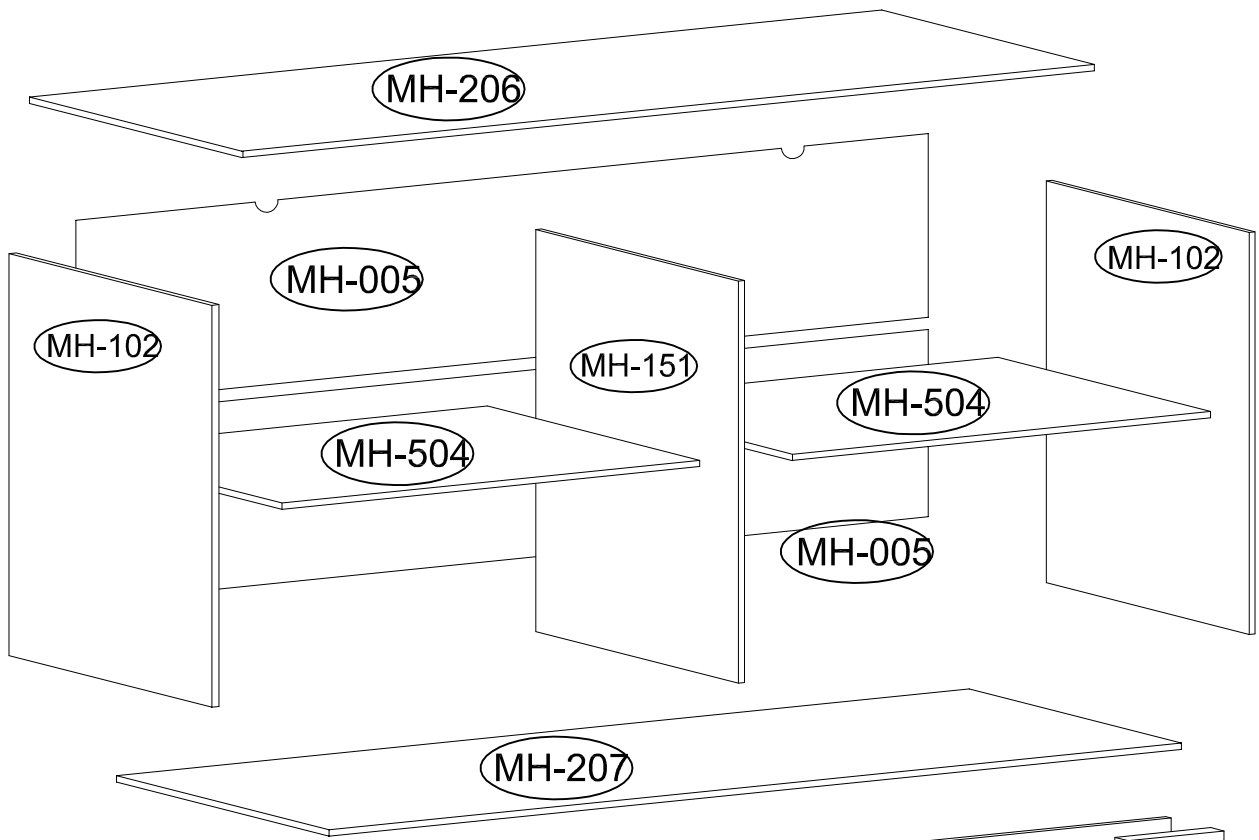


x8

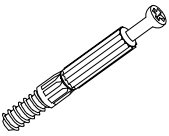


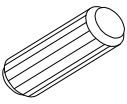
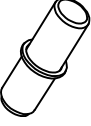
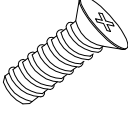
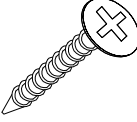
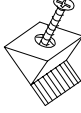
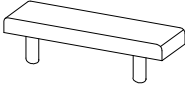
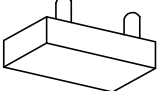
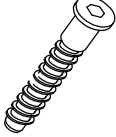
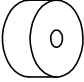

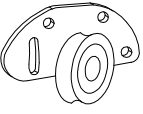
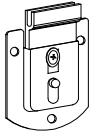
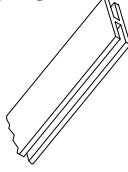
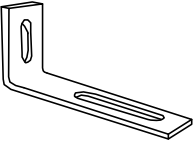
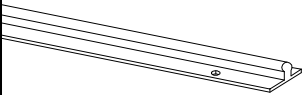
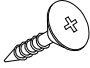



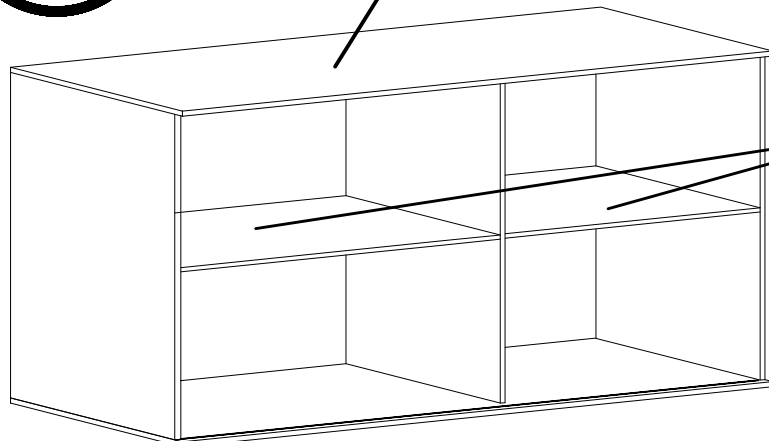
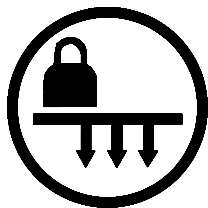






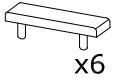


<p>4066</p>  <p>Ø6.5x36.5mm x12</p>	<p>3996</p>  <p>Ø15x16mm x12</p>	<p>136236</p>  <p>Ø20 x12</p>	<p>3989</p>  <p>Ø8x30mm x12</p>
<p>4017</p>  <p>x8</p>	<p>3879</p>  <p>Ø6.3x13mm x4</p>	<p>3923</p>  <p>Ø4,0x16mm x32</p>	<p>4044</p>  <p>x16</p>
<p>4057</p>  <p>x6</p>	<p>IN01112</p>  <p>H-20 mm x1</p>	<p>3884</p>  <p>x6</p>	<p>IN01032</p>  <p>H-18 mm x6</p>
<p>3984</p>  <p>4 mm x1</p>	<p>IN01007</p>  <p>x4</p>	<p>IN01006</p>  <p>x4</p>	<p>IN00378</p>  <p>L-1566 mm x1</p>
<p>71900</p>  <p>x2</p>	<p>83656</p>  <p>L-1566mm x4</p>	<p>3912</p>  <p>Ø3,0x13mm x20</p>	<p>3919</p>  <p>Ø3,5x20mm x5</p>

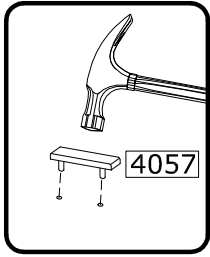


# 1

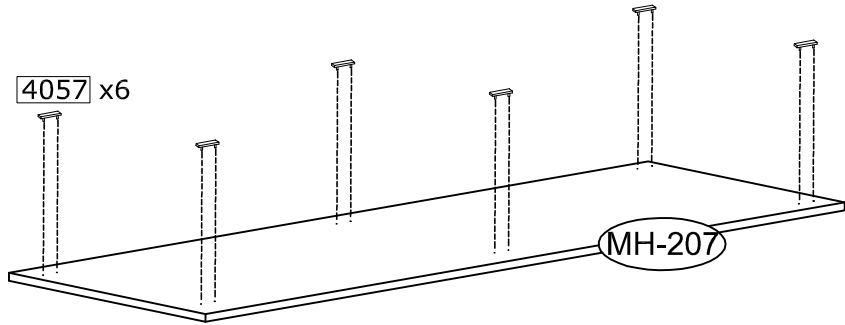
4057



x6



4057 x6



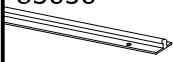
# 2

4066



x6

83656

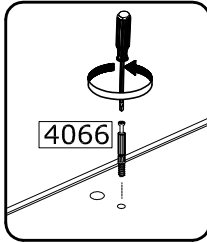


x2

3912



3,0X13 x10



4066

4066

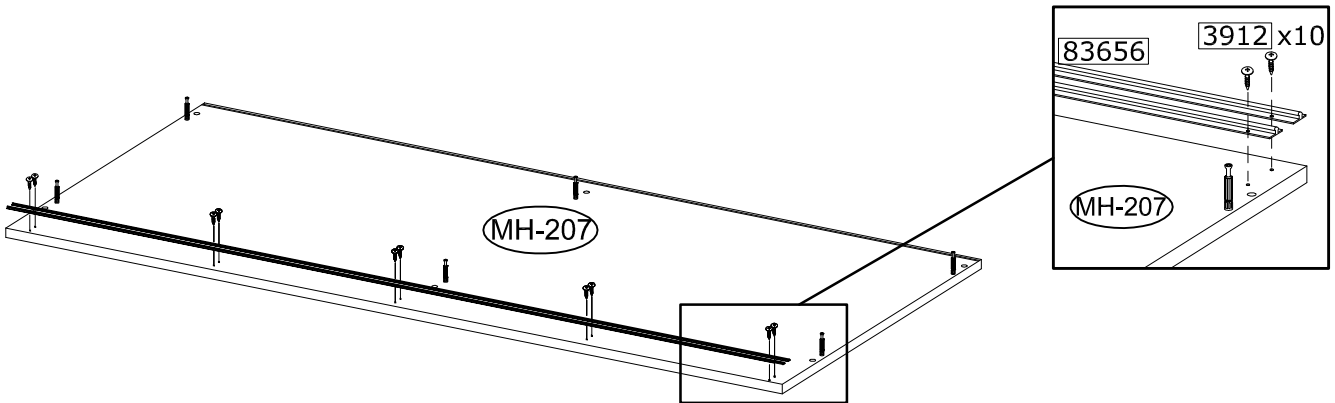
4066

4066

4066

4066

MH-207



83656

3912 x10

MH-207

# 3

4017

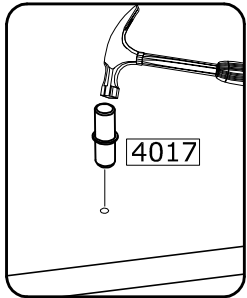


x4

3989



x8



4017

x2

3989

4017

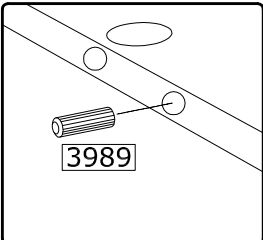
4017

3989

MH-102

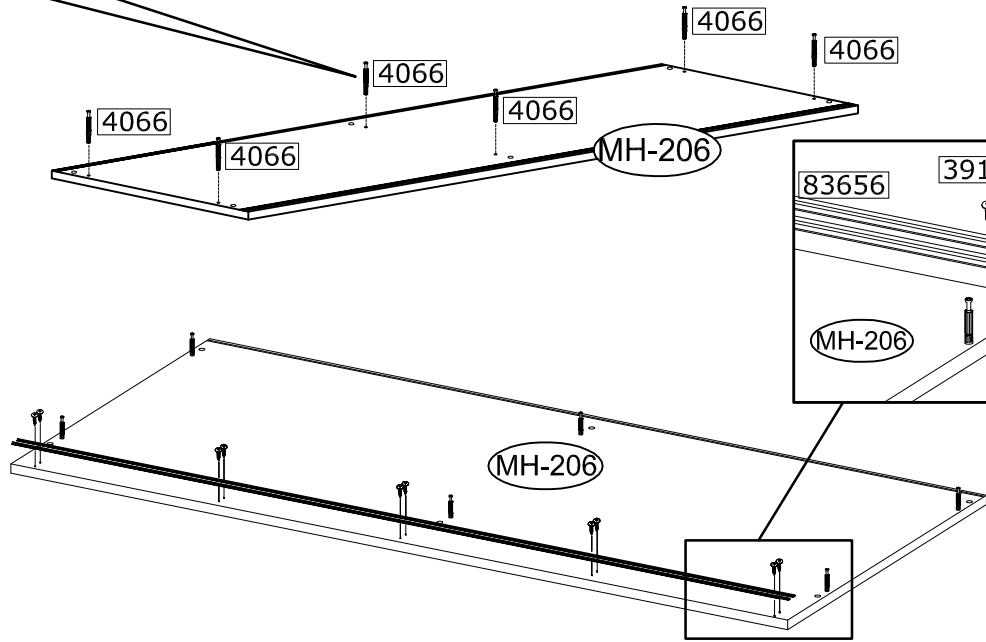
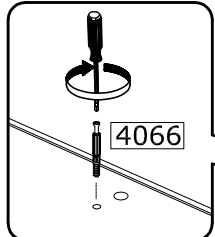
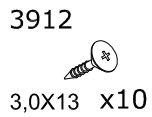
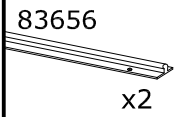
3989

3989

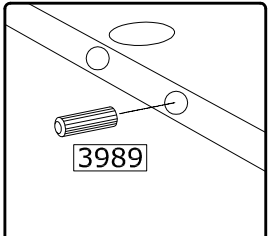
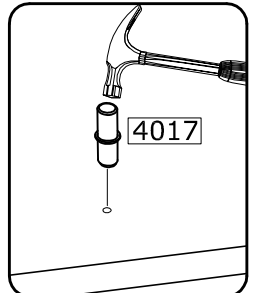
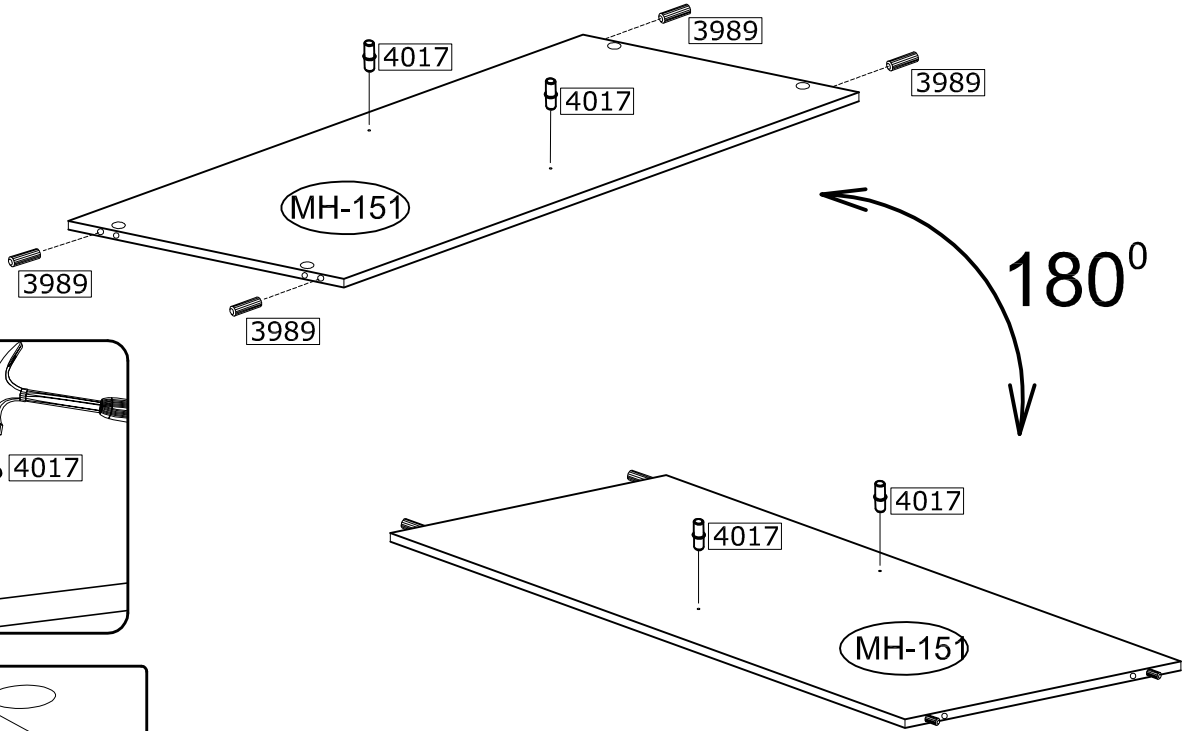
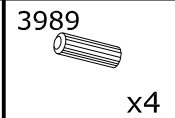


3989

# 4



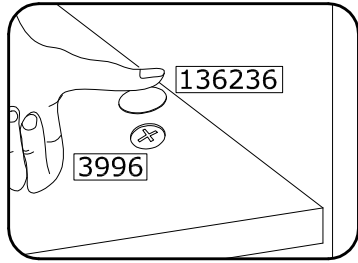
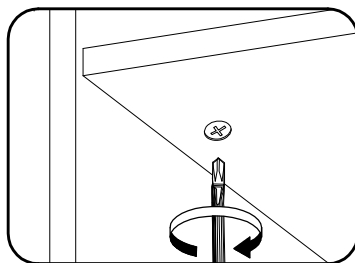
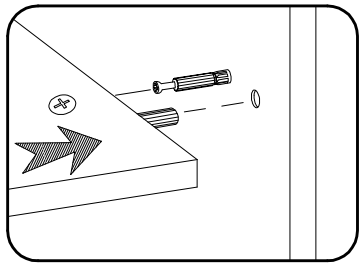
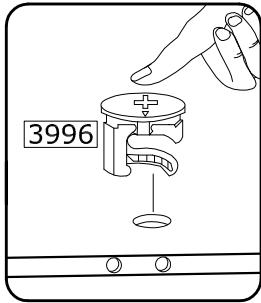
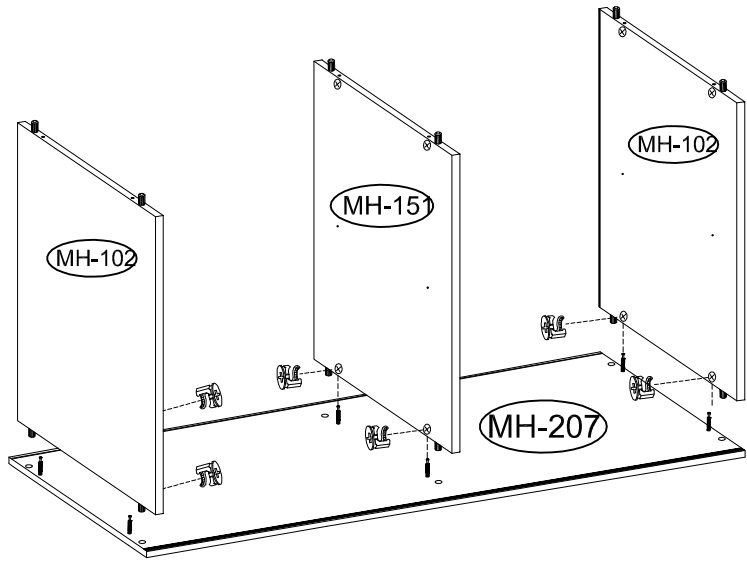
# 5



# 6

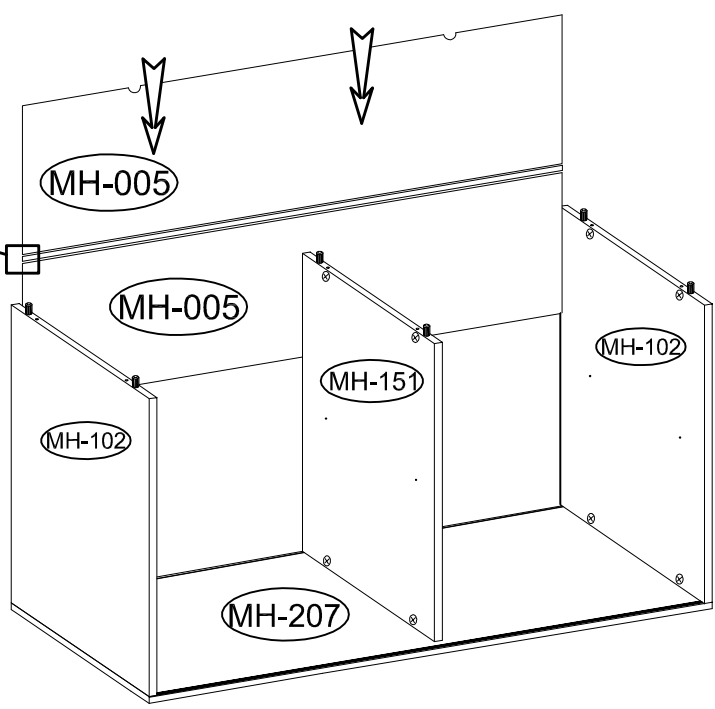
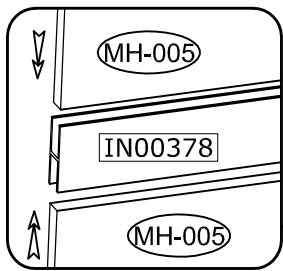
3996  
x6

136236  
x6

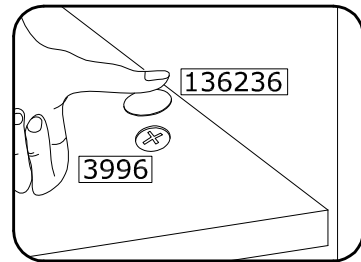
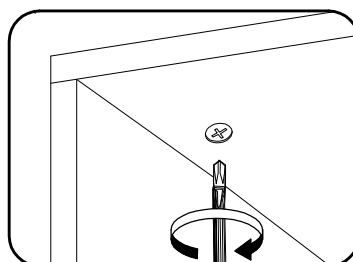
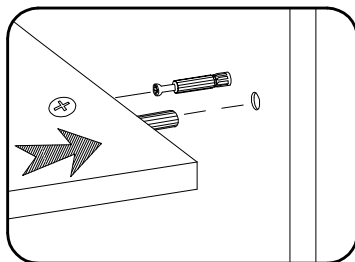
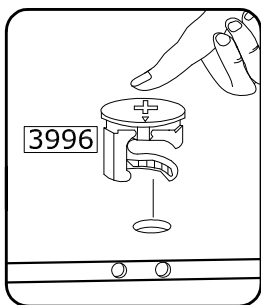
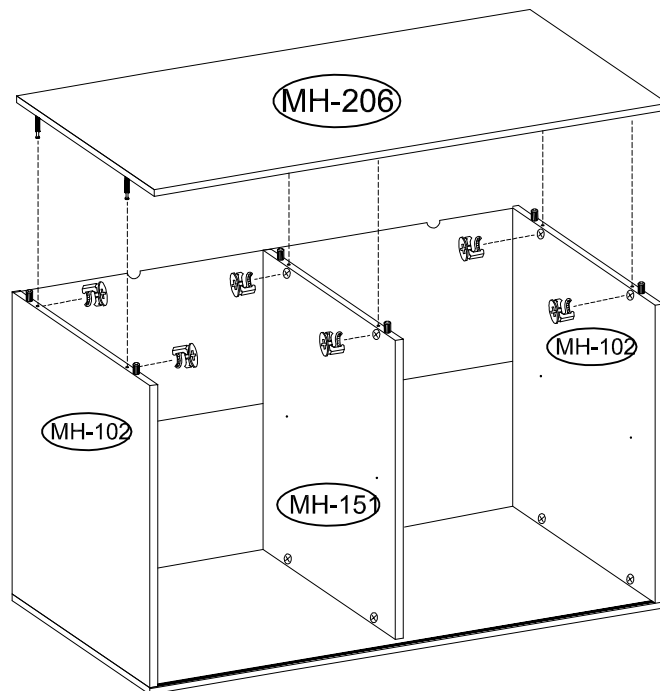
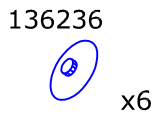
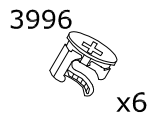


# 7

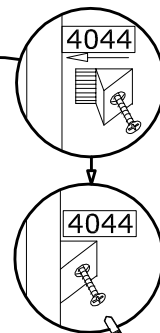
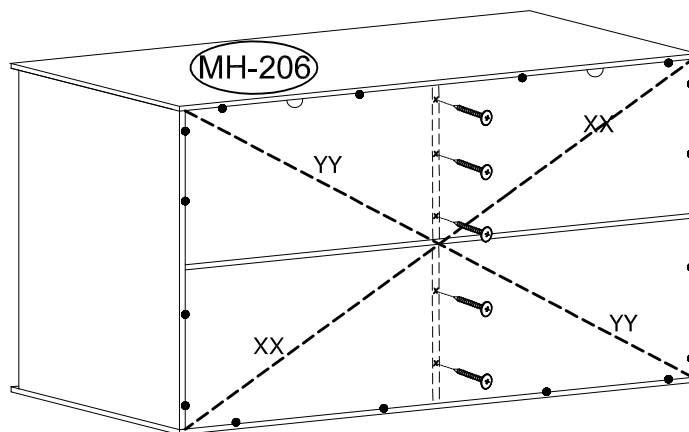
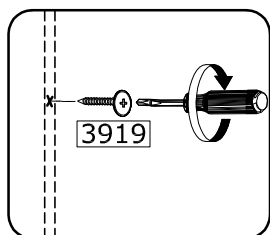
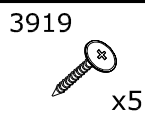
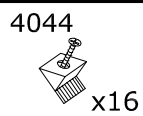
IN00378  
x1



# 8

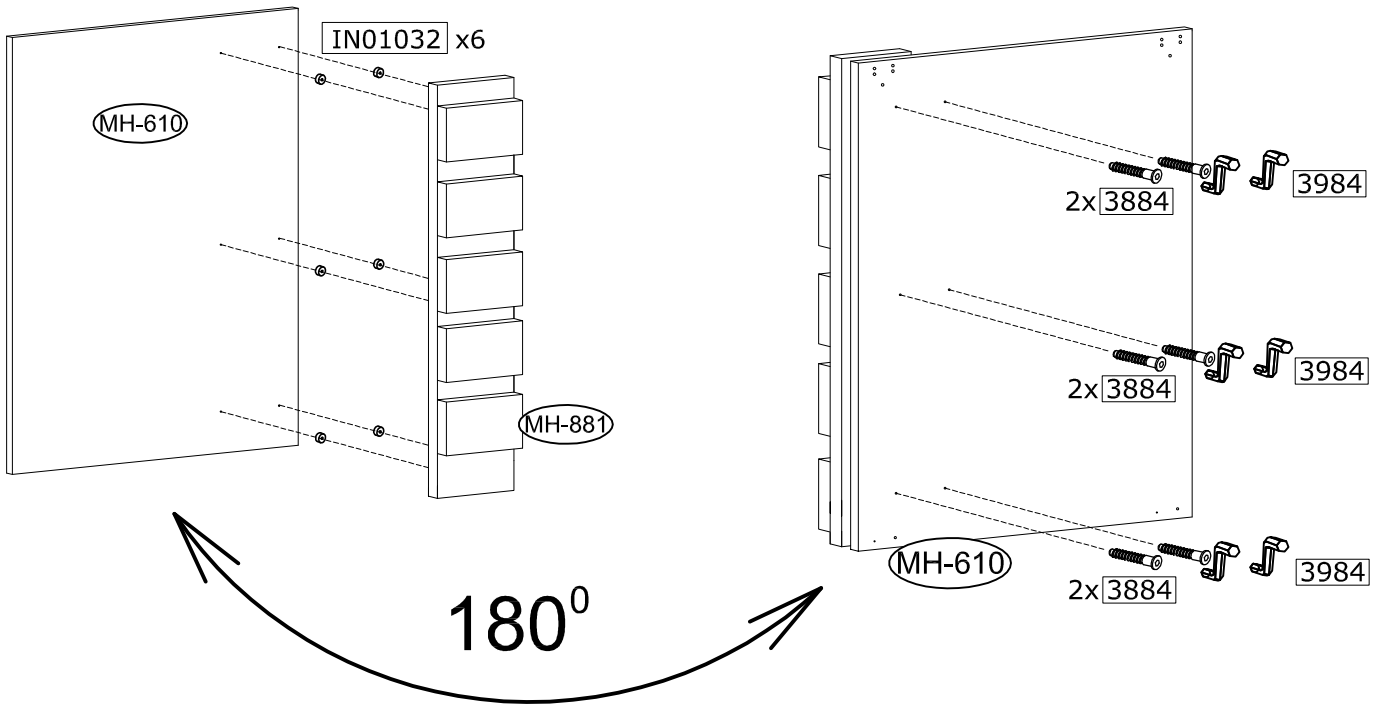


# 9








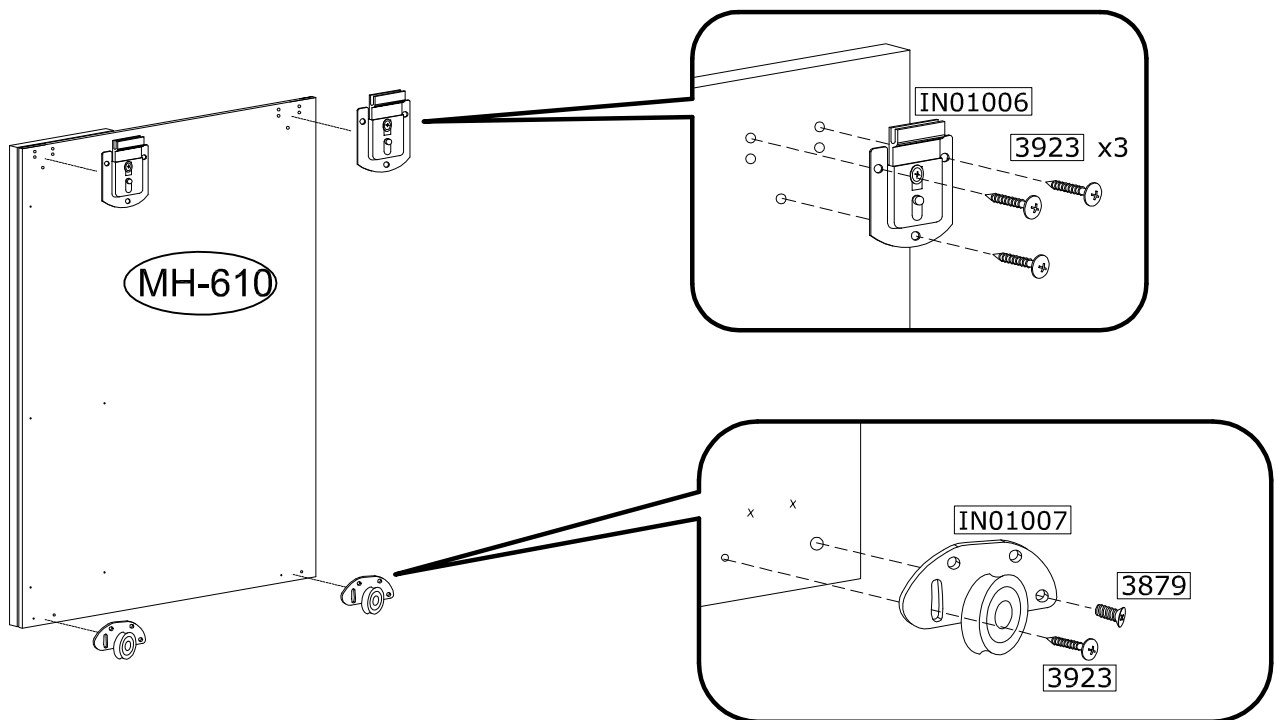
# 10

IN01032  x6	3884  x6	3984  x1		
---	--	--	--	--

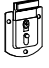






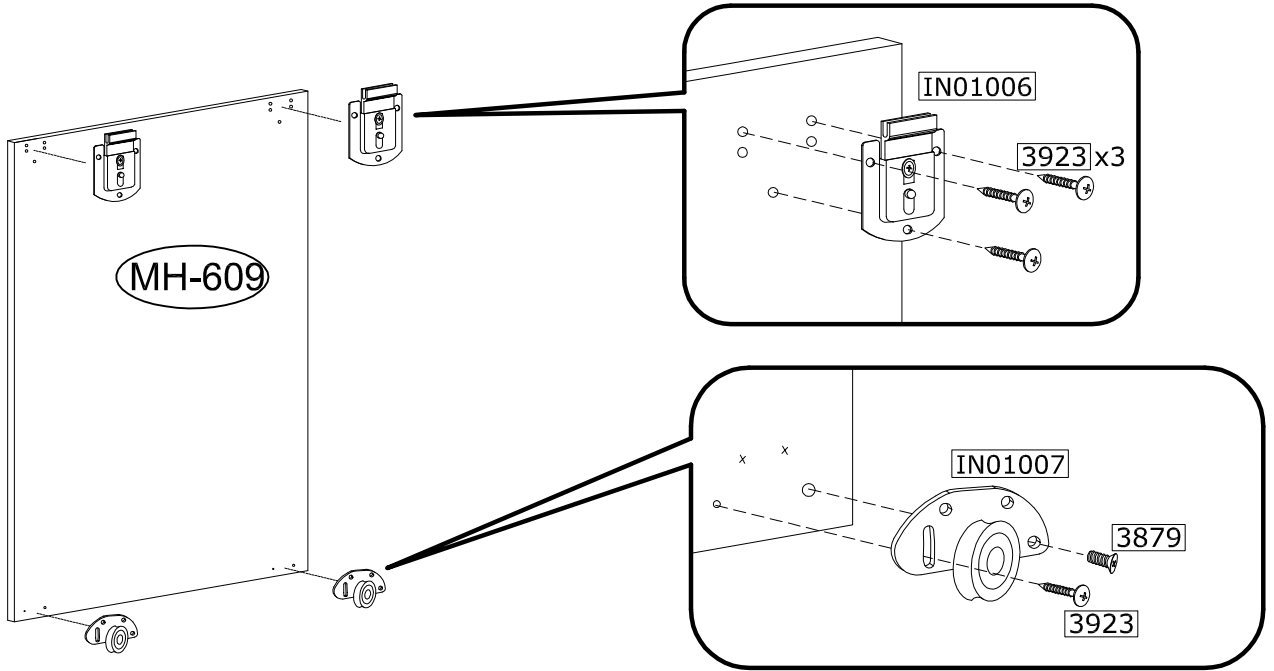
# 11

IN01006  x2	IN01007  x2	3923  x8	3879  x2	
--	--	---	---	---



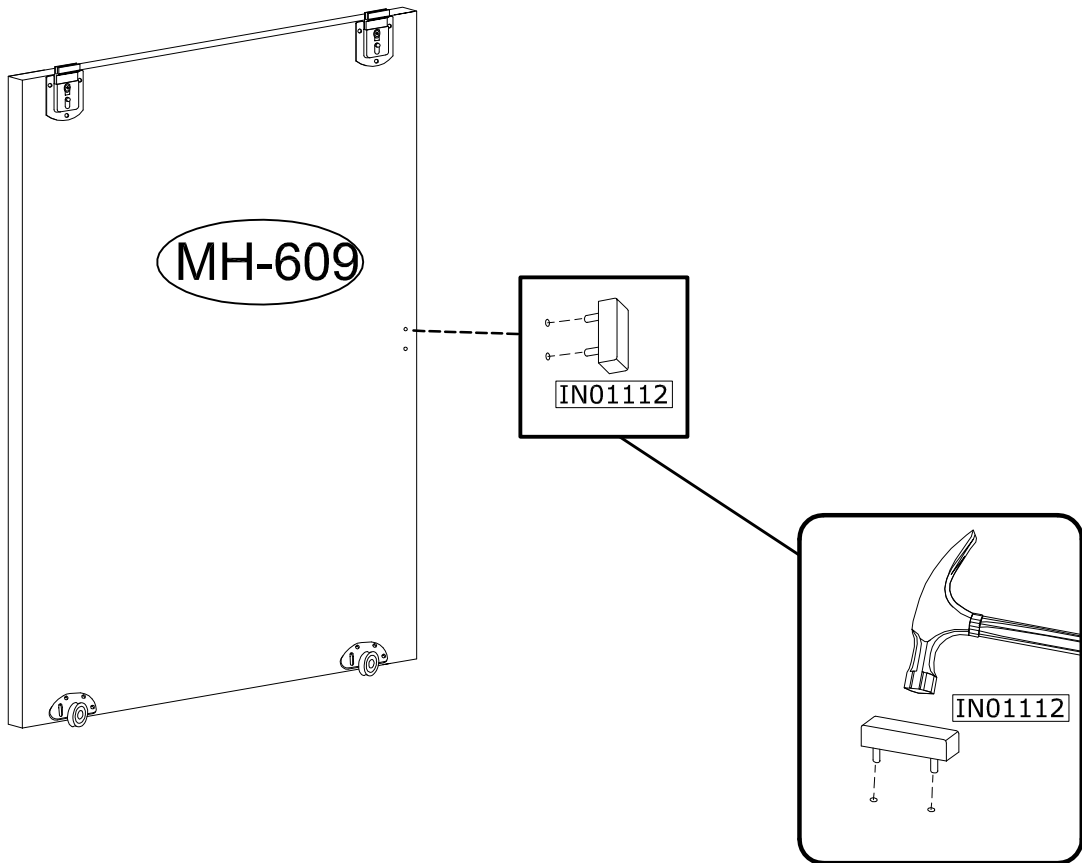
# 12

IN01006  x2	IN01007  x2	3923  x8	3879  x4	
---	---	--	--	---

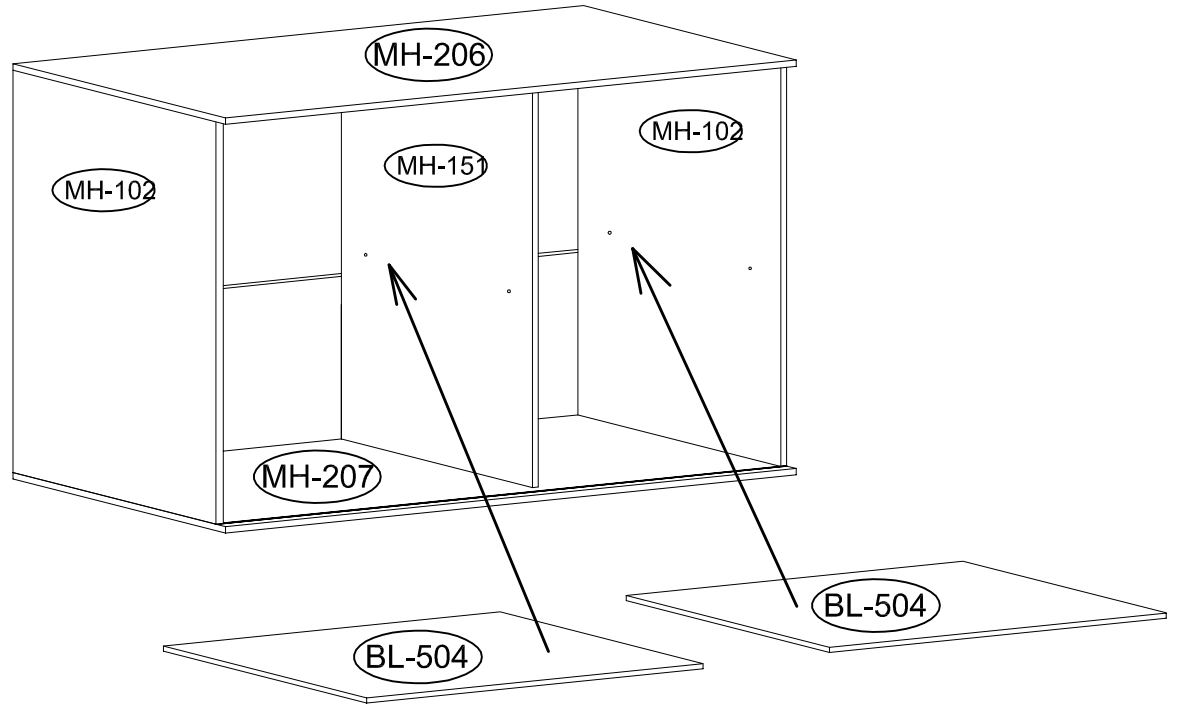


# 13

IN01112  x1		
--	--	---



# 14

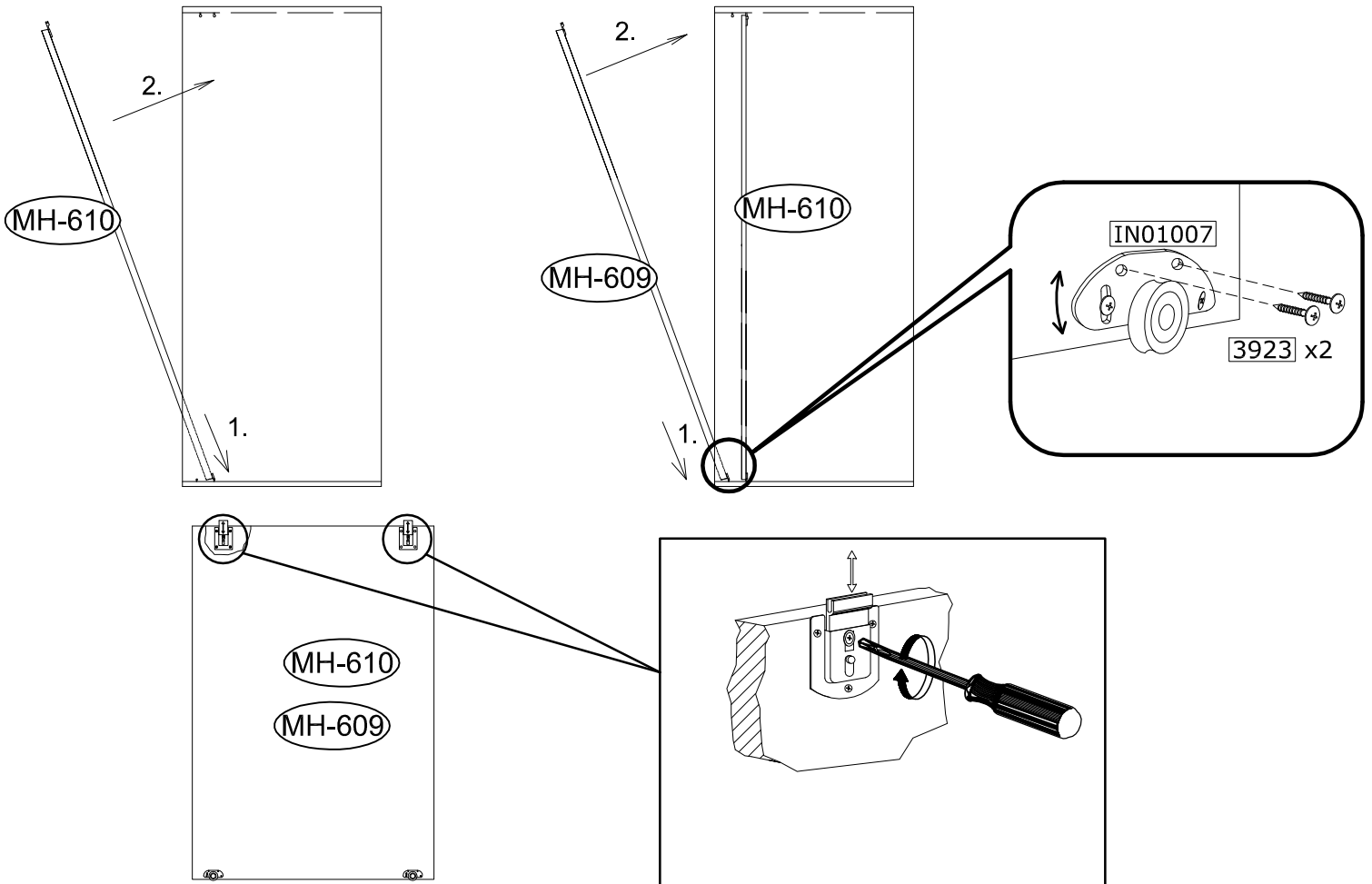


# 15

3923



x8





# 16

71900  
x2

3923  
x4

