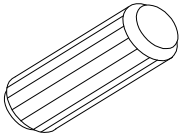
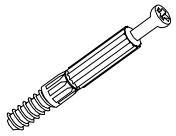
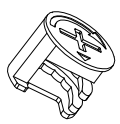
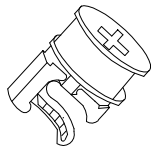
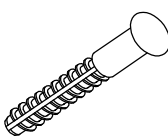
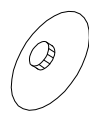
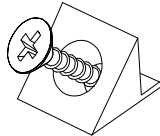

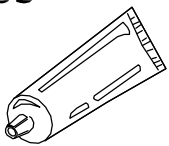
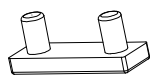
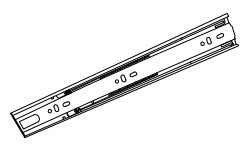
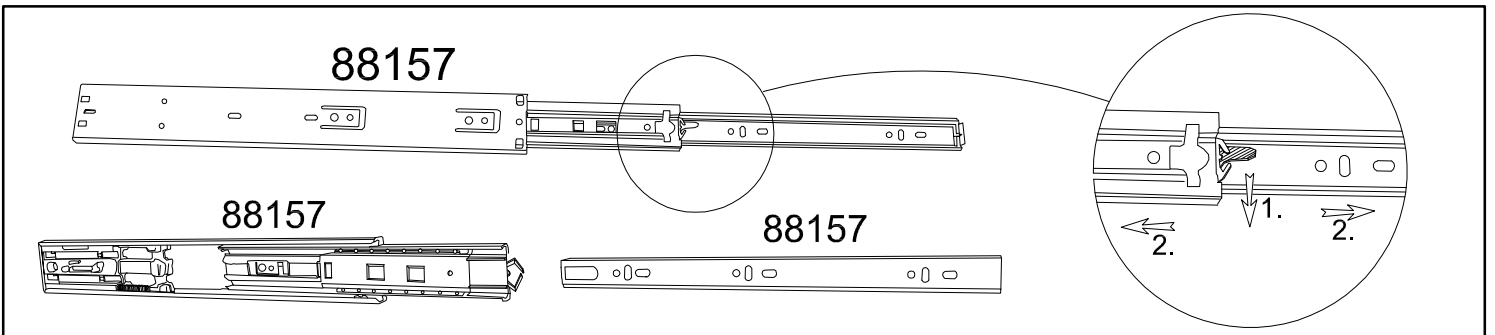


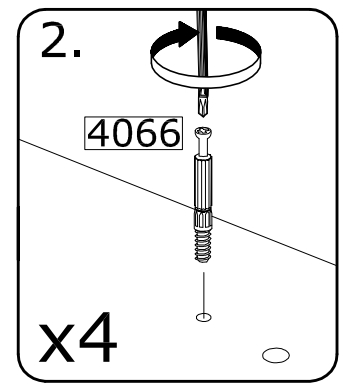
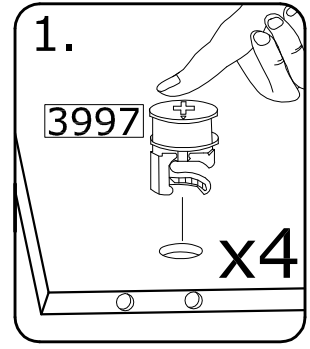
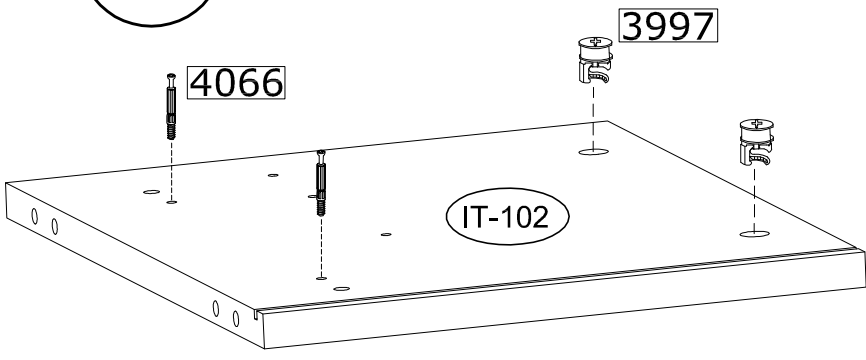
<p>3989</p>  <p>Ø8x30mm x24</p>	<p>4066</p>  <p>Ø6.5x36.5mm x28</p>	<p>3996</p>  <p>Ø15x16mm x20</p>	<p>3997</p>  <p>Ø15x22mm x8</p>
<p>IN01157</p>  <p>x8</p>	<p>136236</p>  <p>Ø20 x28</p>	<p>4044</p>  <p>15x14x11 mm x12</p>	<p>3918</p>  <p>Ø3,5x16mm x24</p>
<p>3983</p>  <p>x1</p>	<p>4057</p>  <p>x8</p>	<p>88157</p>  <p>x2</p>	



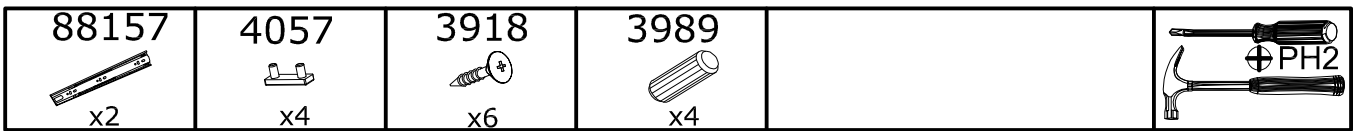
1



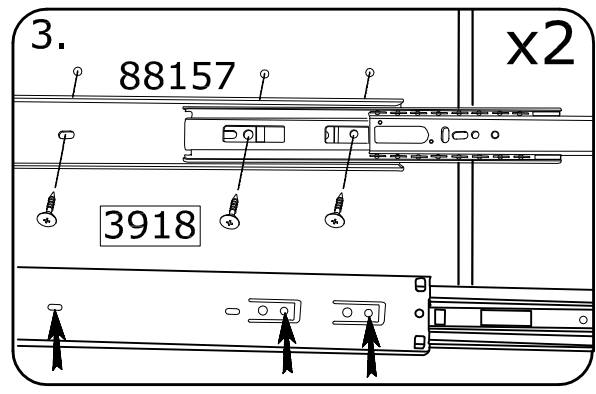
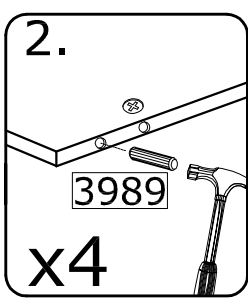
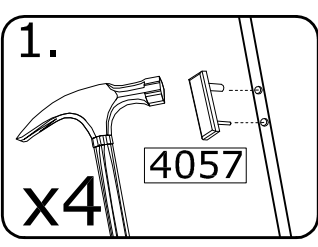
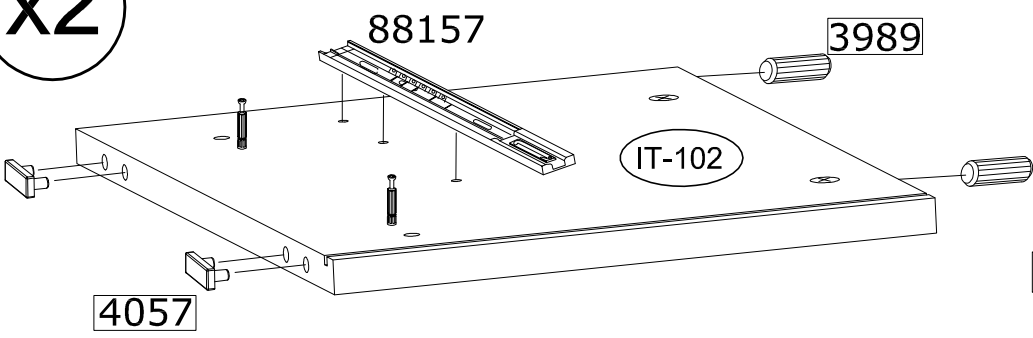
x2



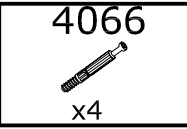
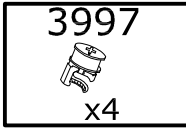
2



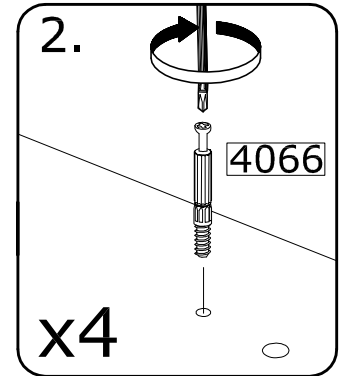
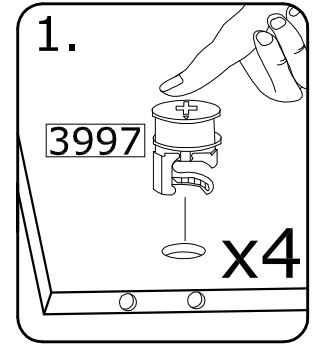
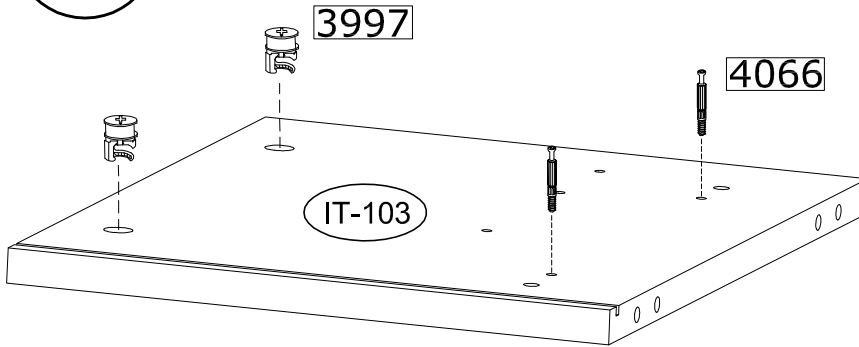
x2



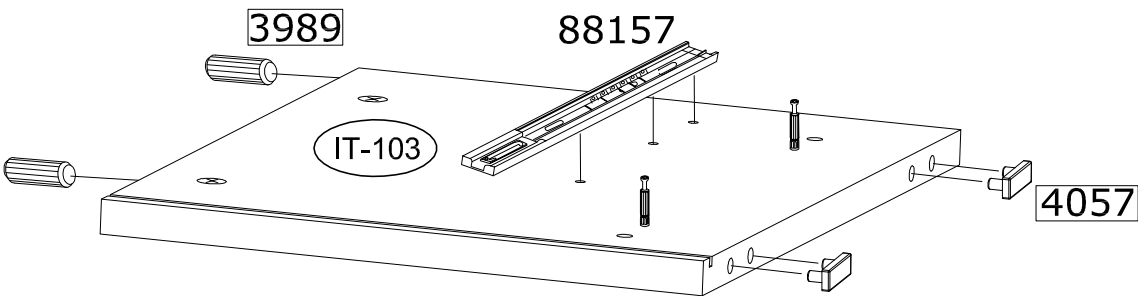
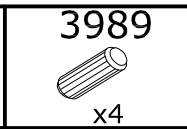
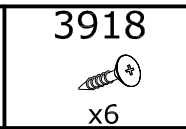
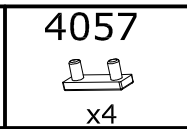
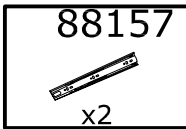
3



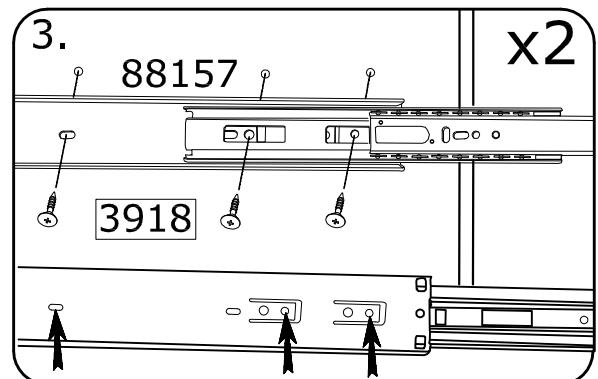
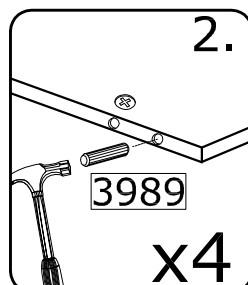
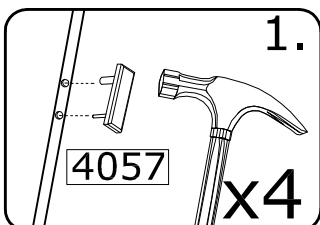
x2



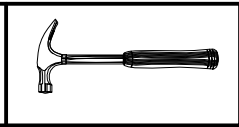
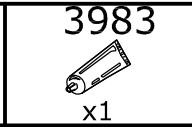
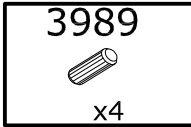
4



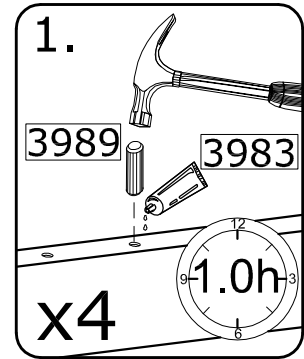
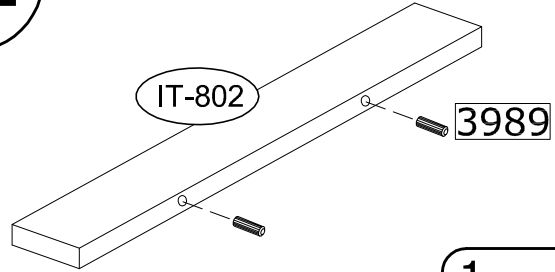
x2



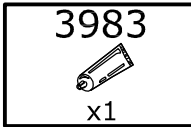
5



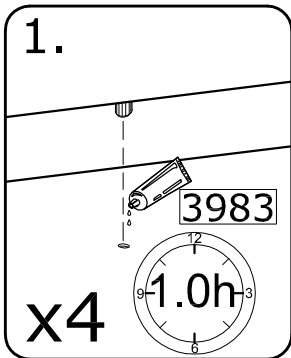
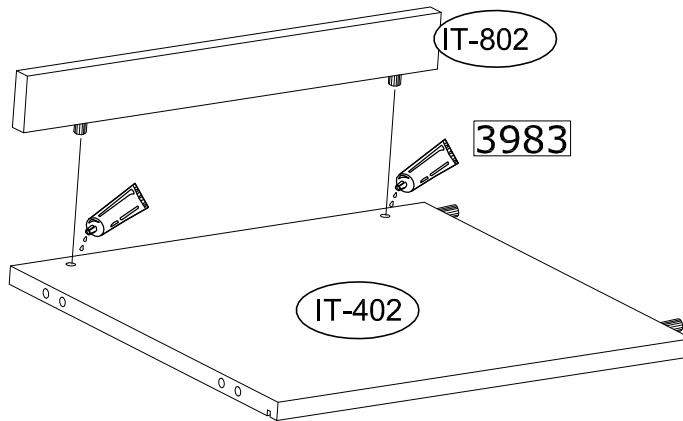
x2



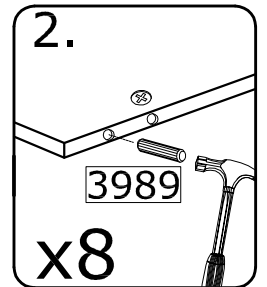
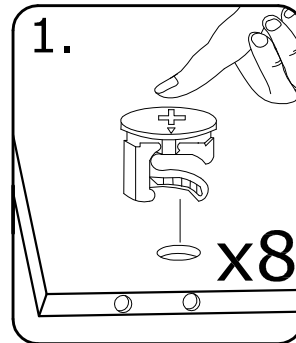
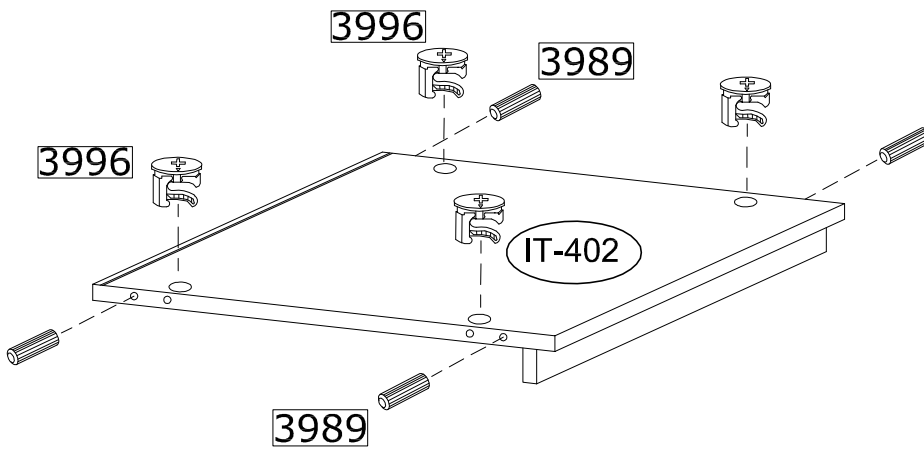
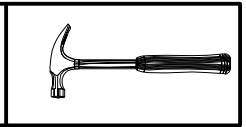
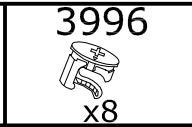
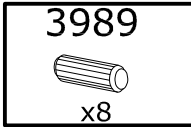
6



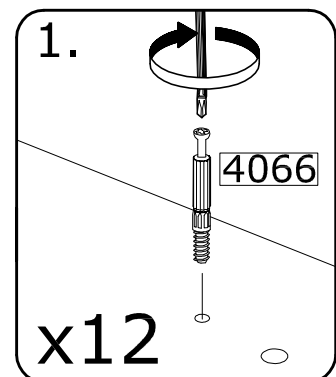
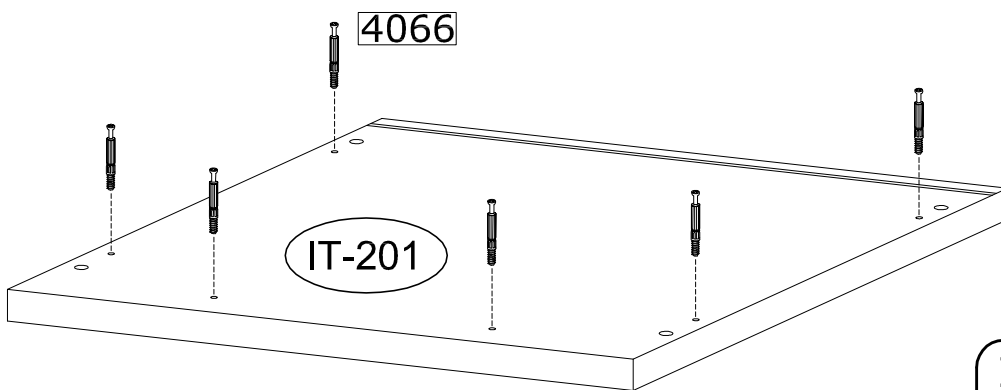
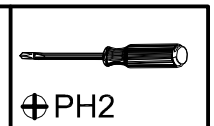
x2



7



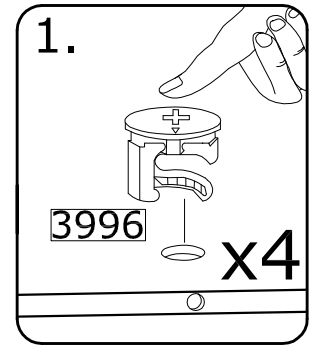
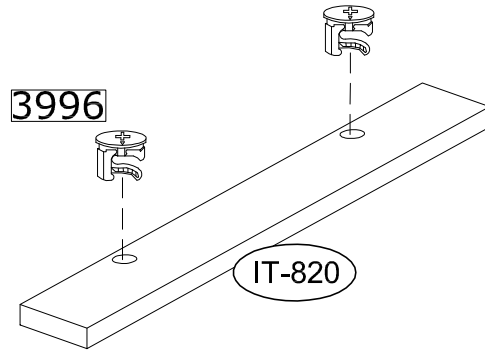
8



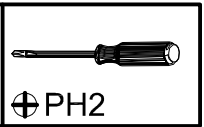
9



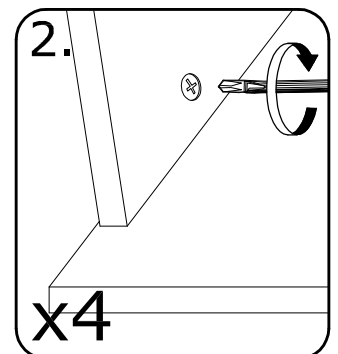
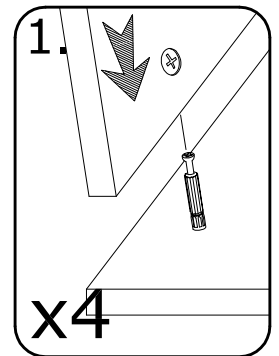
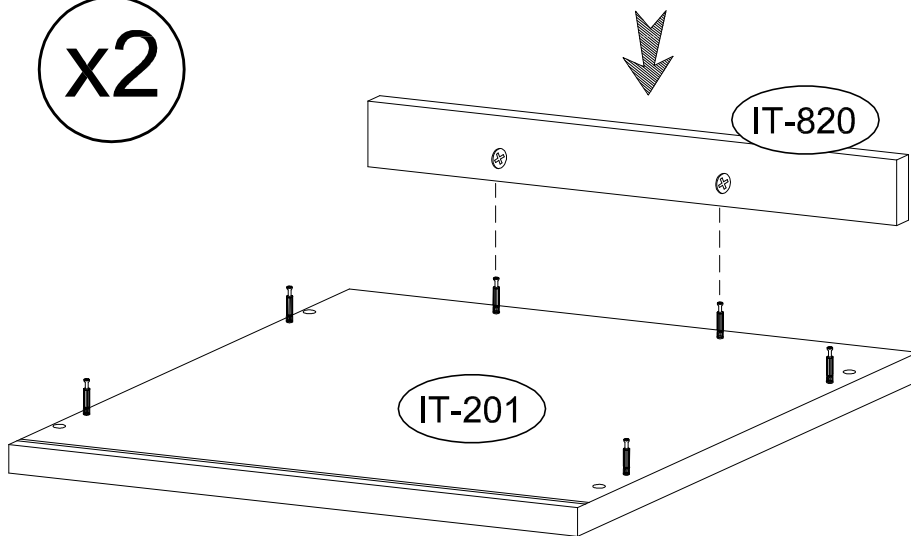
x2



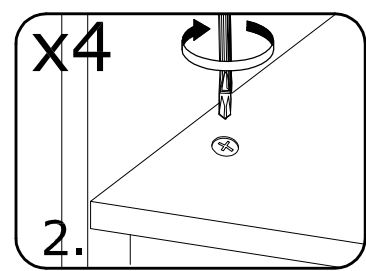
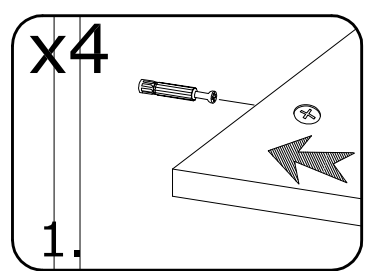
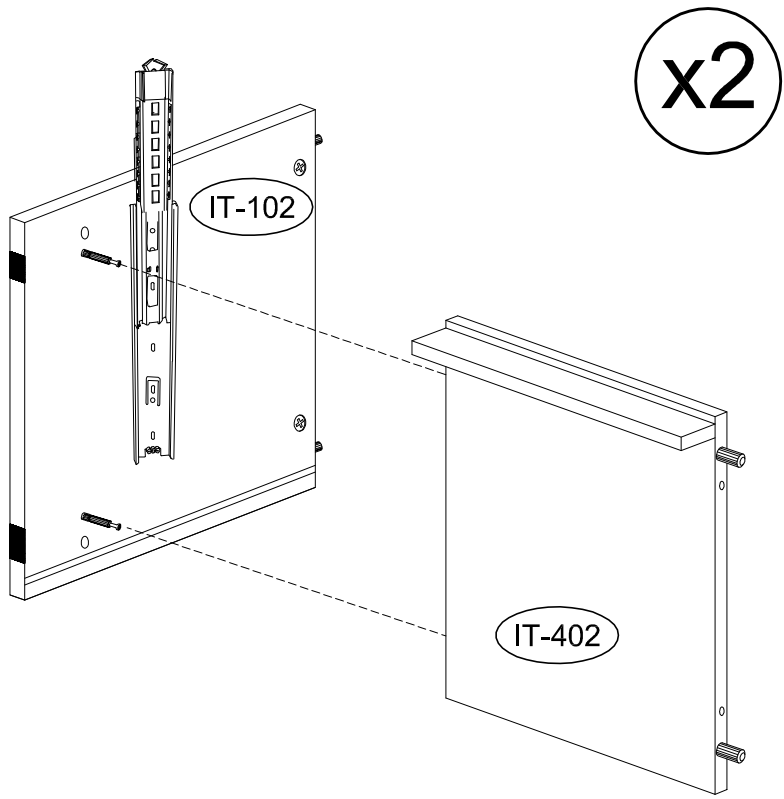
10



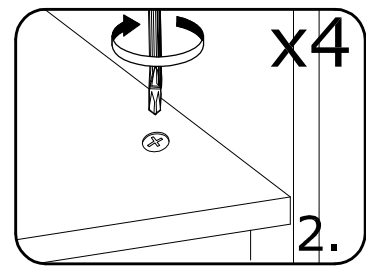
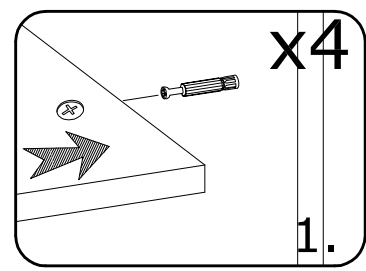
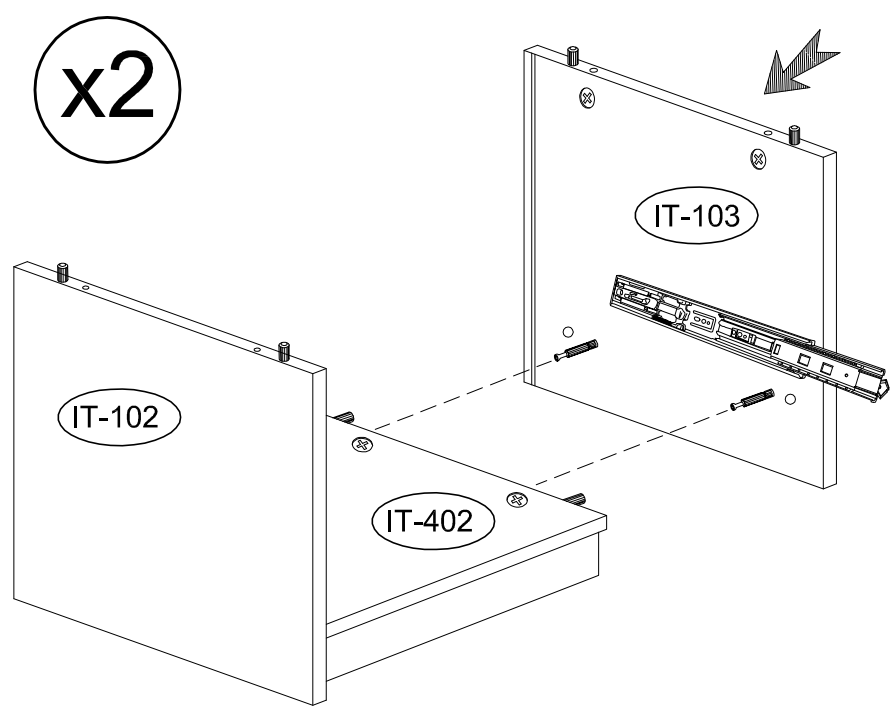
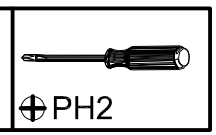
x2



11

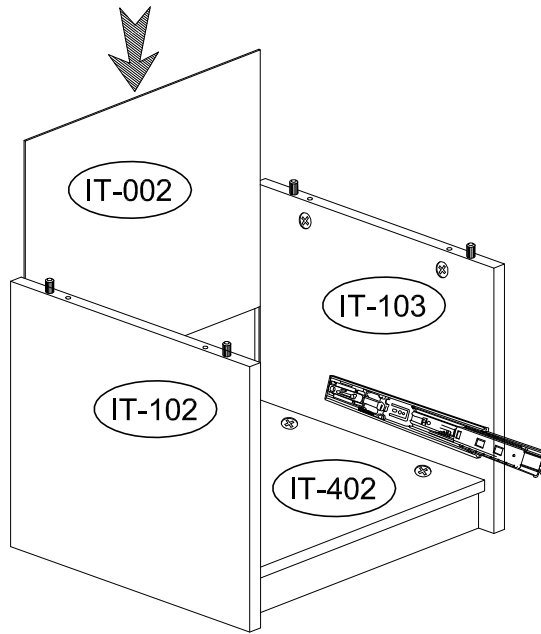


12



13

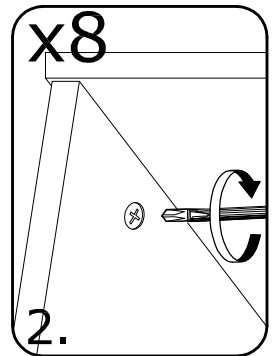
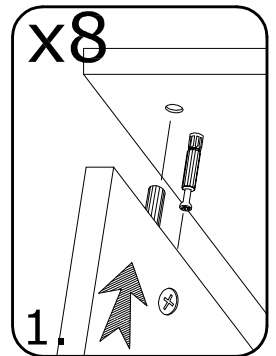
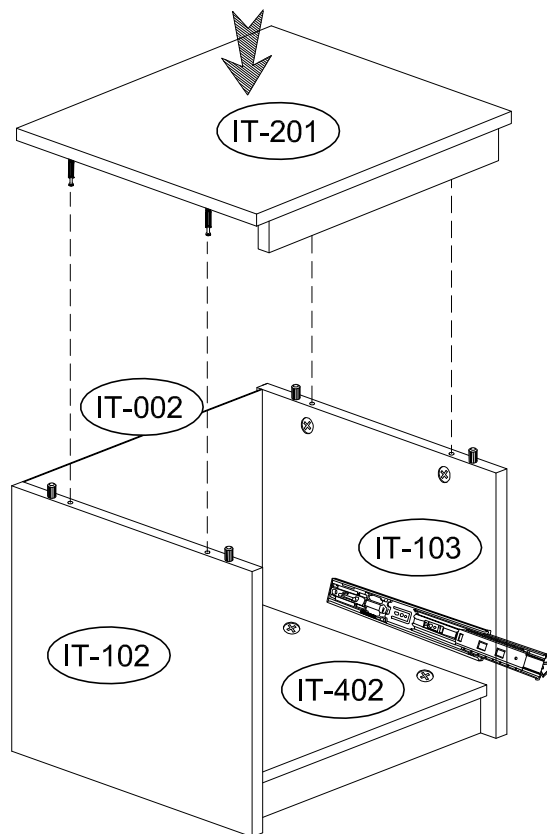
x2



14



x2



15

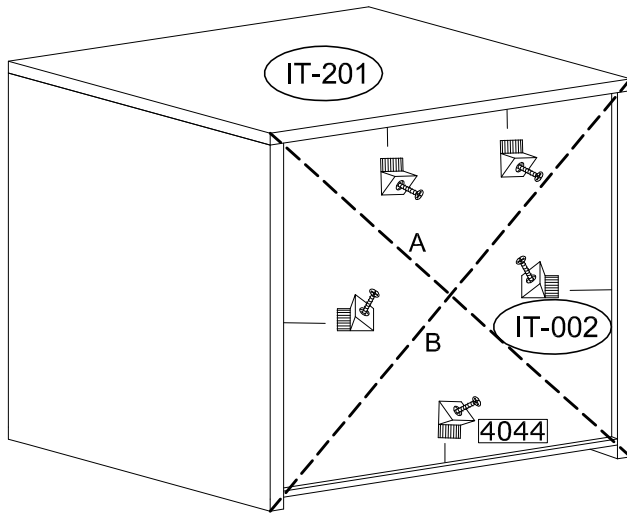
4044



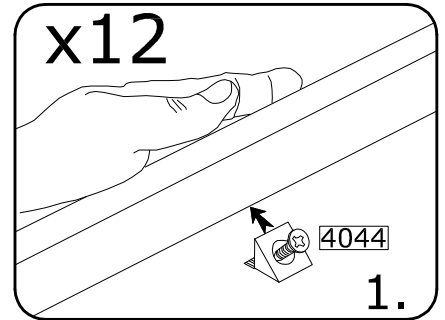
x10



x2

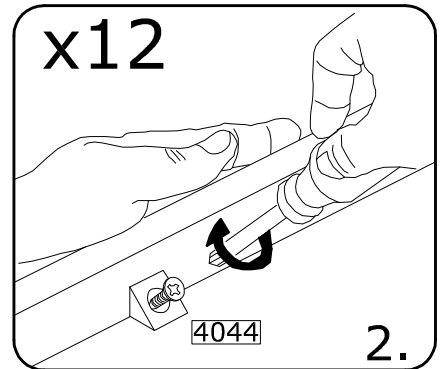


x12



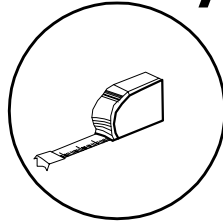
1.

x12



2.

A=B



16

3996



x8

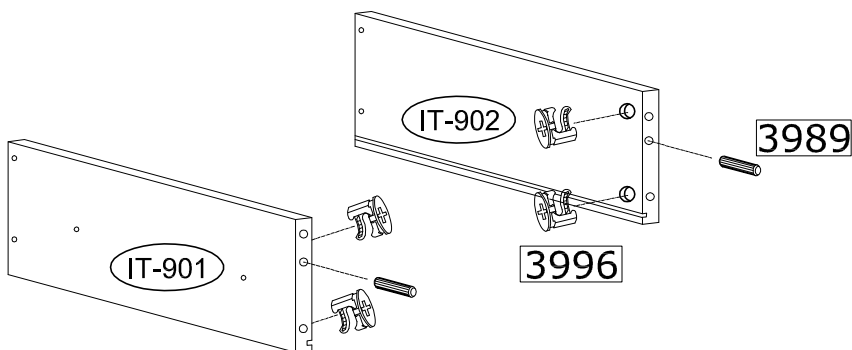
3989



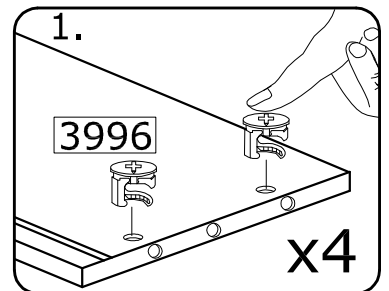
x4



x2

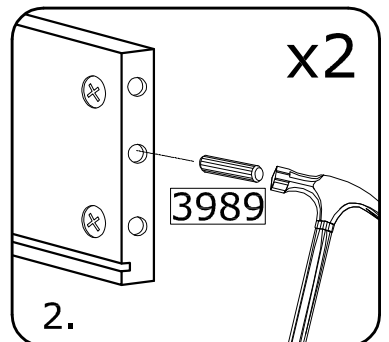


1.



x4

2.



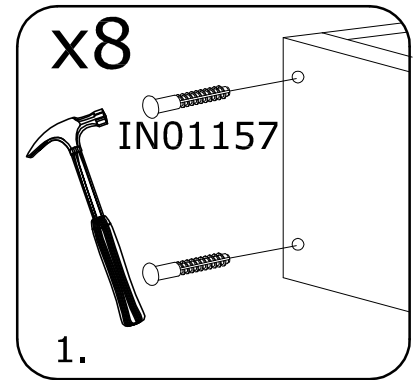
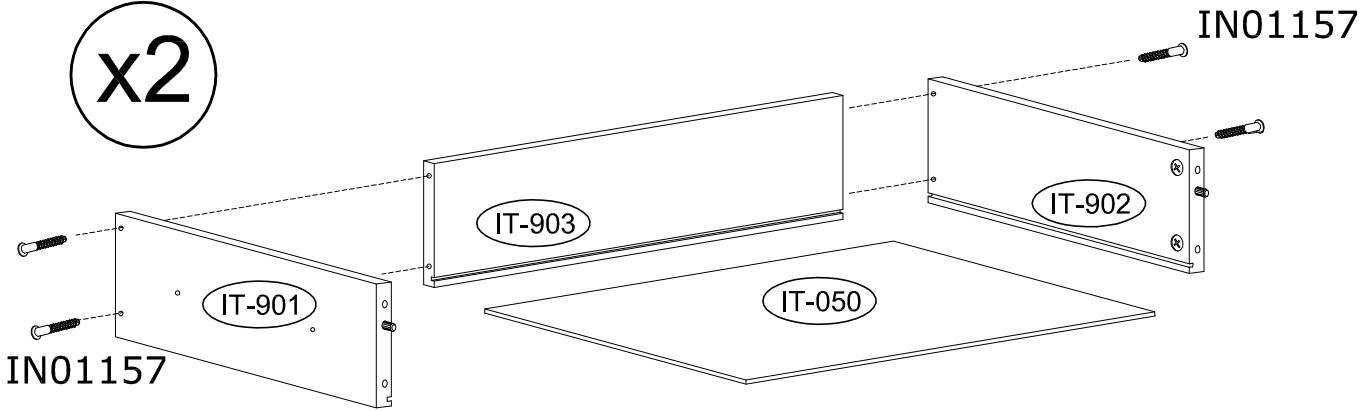
x2

17

IN01157



x2

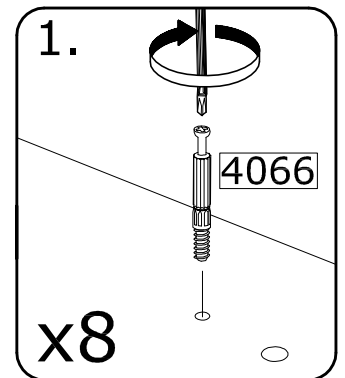
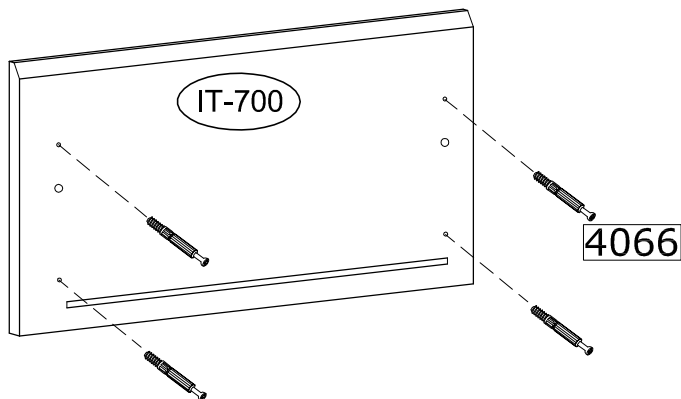


18

4066

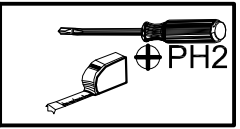


x2

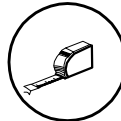
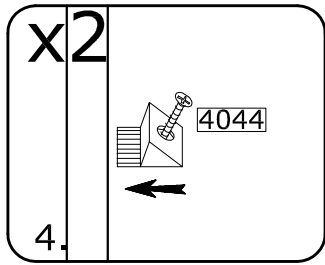
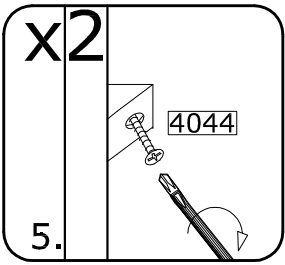
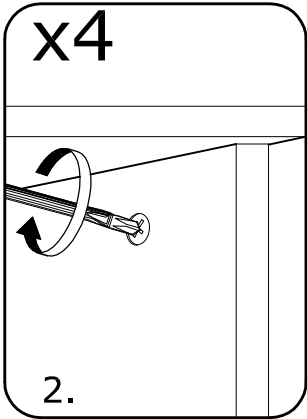
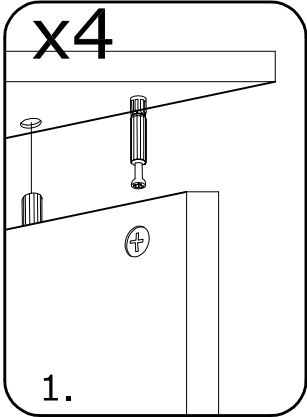
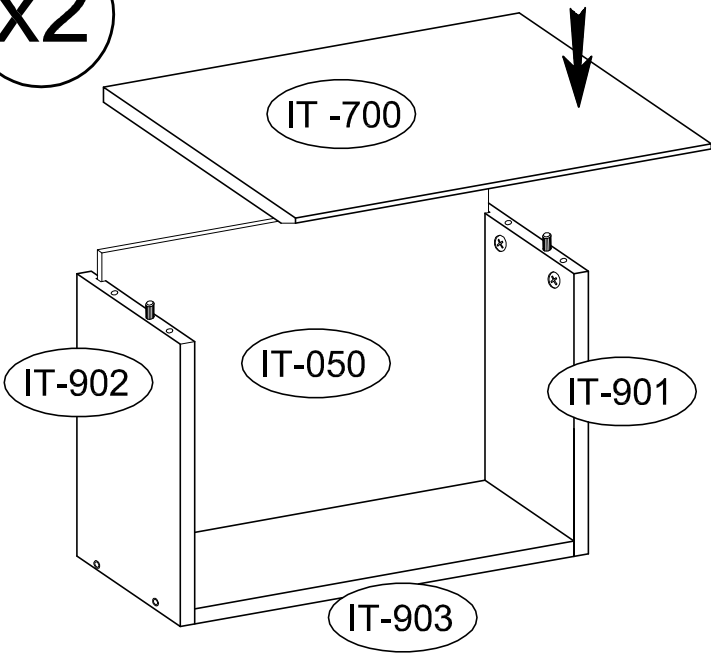


19

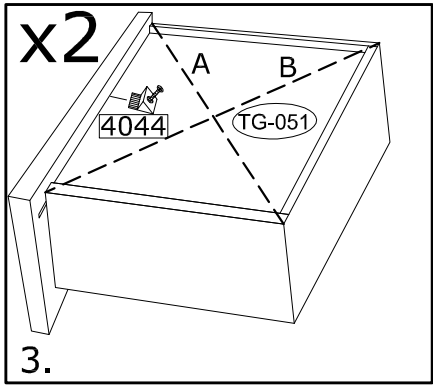
4044
x2



x2



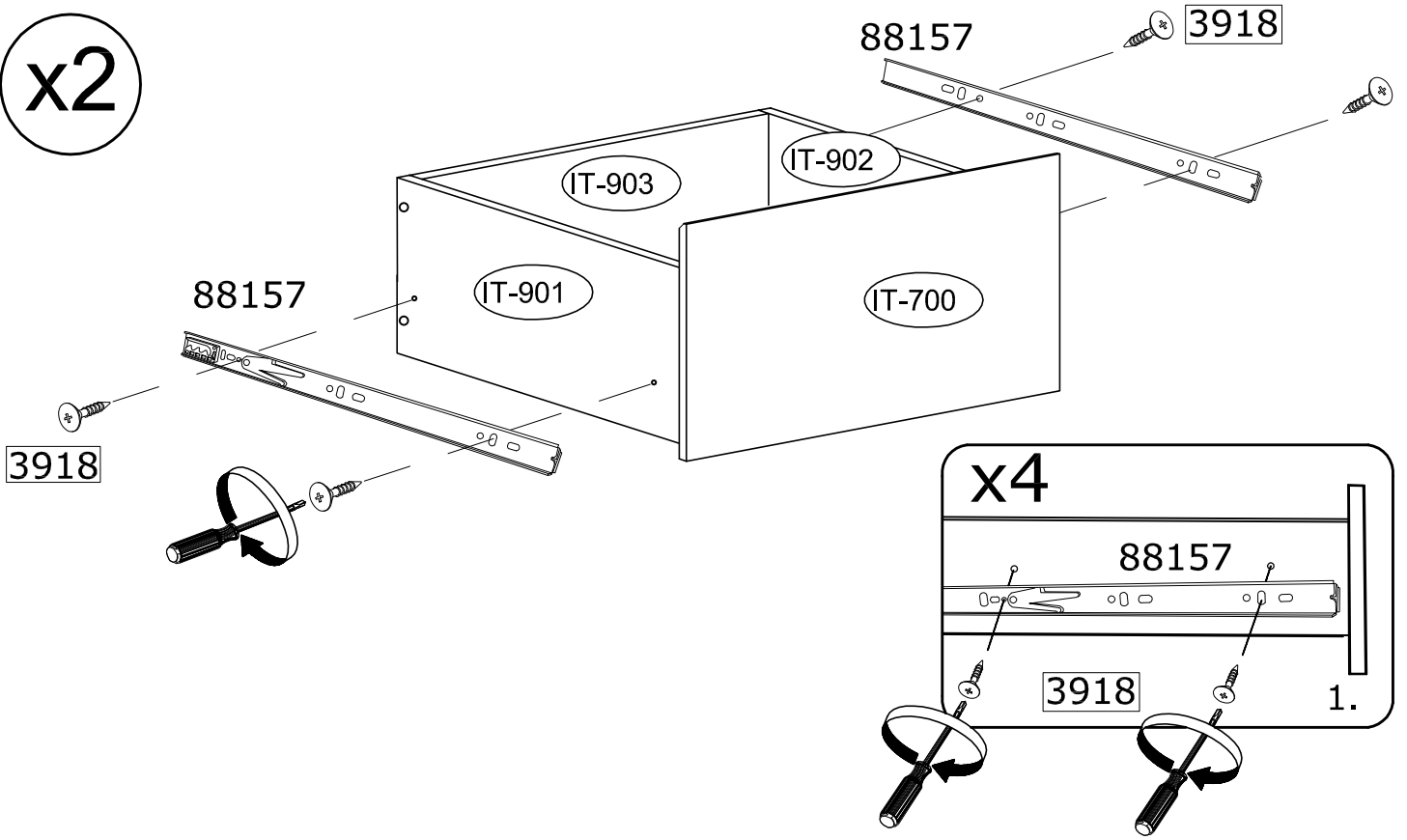
A=B



20

88157  x4	3918  x8		 ⊕ PH2
---	--	--	---

x2



21

3918  x4	136236  x28		 ⊕ PH2
---	--	--	--

x2

