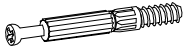
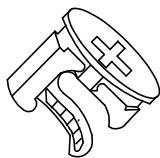

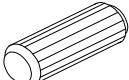
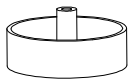
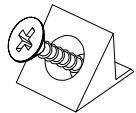

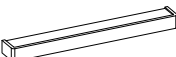
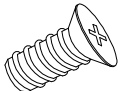
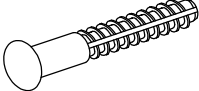
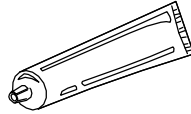
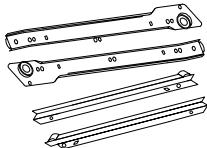
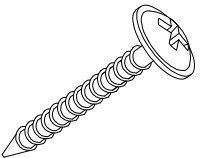
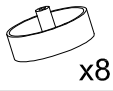


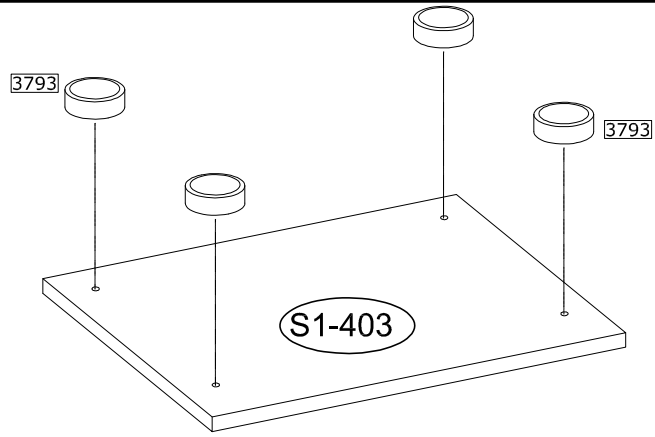
<p>4066</p>  <p>Ø6,5x36,5 mm x16</p>	<p>3996</p>  <p>Ø15x12 mm x16</p>	<p>4086</p>  <p>Ø15 mm x16</p>	<p>3989</p>  <p>Ø8x30 mm x32</p>
<p>3793</p>  <p>Ø60/20 mm x8</p>	<p>4044</p>  <p>15x14x11 mm x8</p>	<p>3918</p>  <p>Ø3,5x16 mm x16</p>	<p>IN01608</p>  <p>Ø3,5x16 mm x4</p>
<p>3877</p>  <p>Ø6,0x13 mm x16</p>	<p>IN01157</p>  <p>Ø12x42 mm x16</p>	<p>3983</p>  <p>10 g x2</p>	<p>3804</p>  <p>L-350 mm x4</p>
<p>3894</p>  <p>Ø4,0x30 mm x8</p>			

1

3793



x8

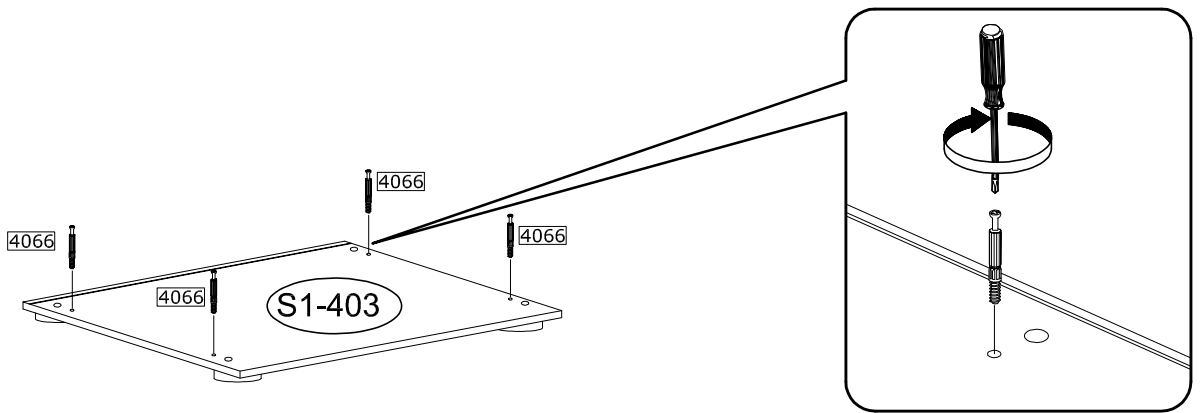


2

4066

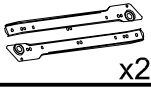


x8



3

3804



x2

3989

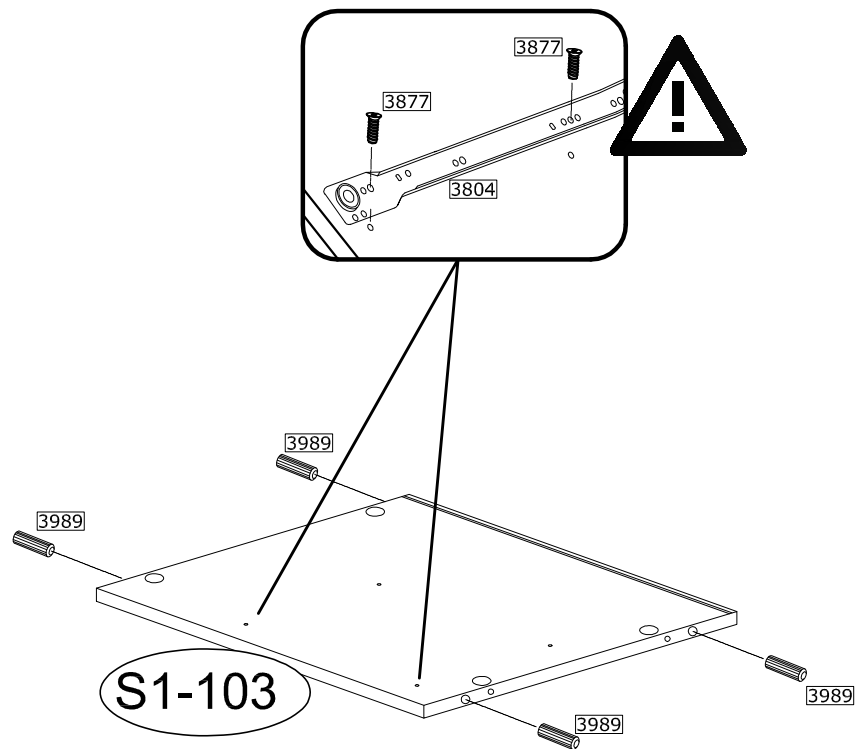
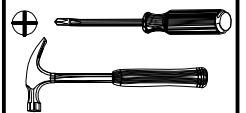


x8

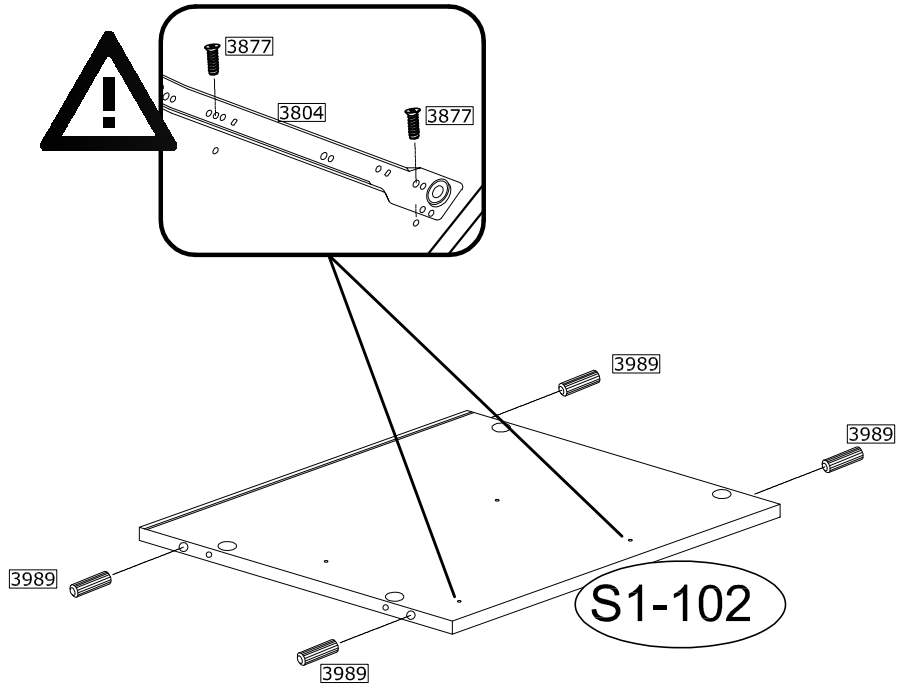
3877



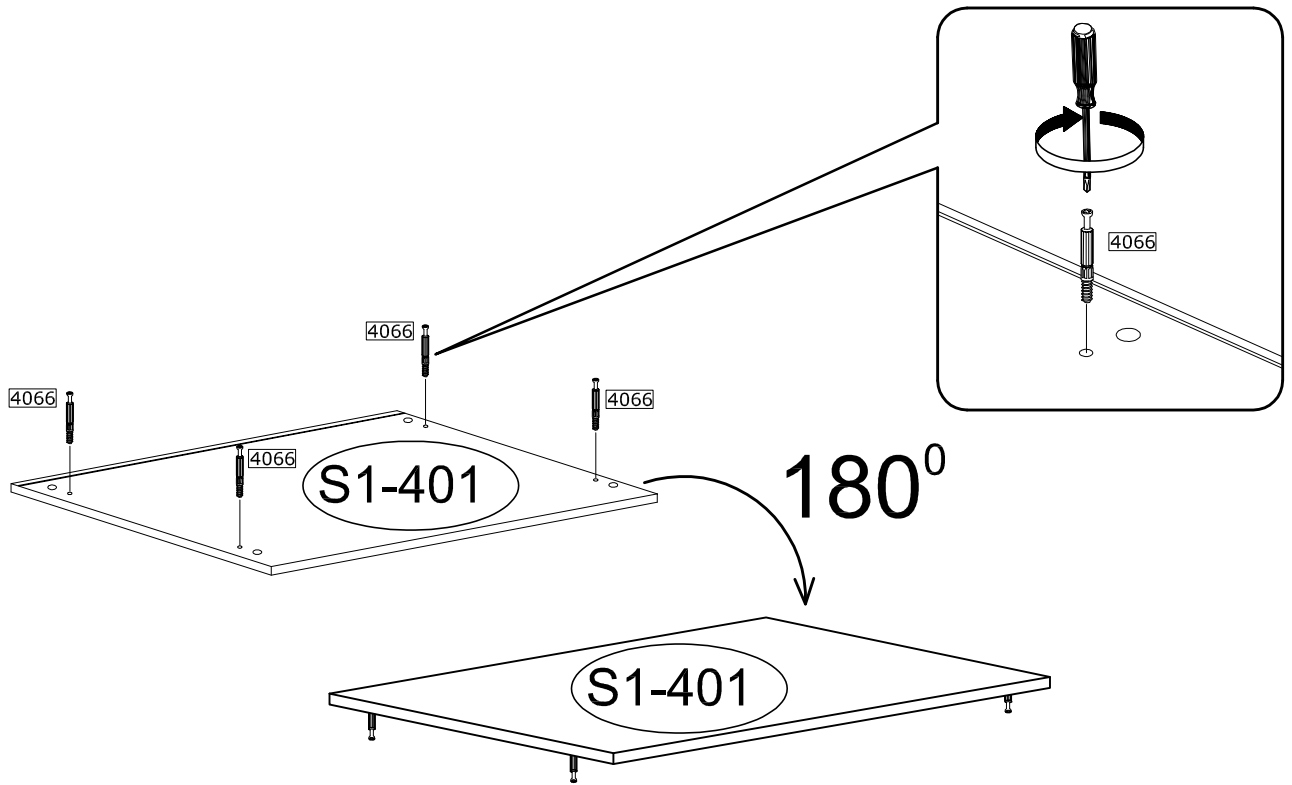
x8



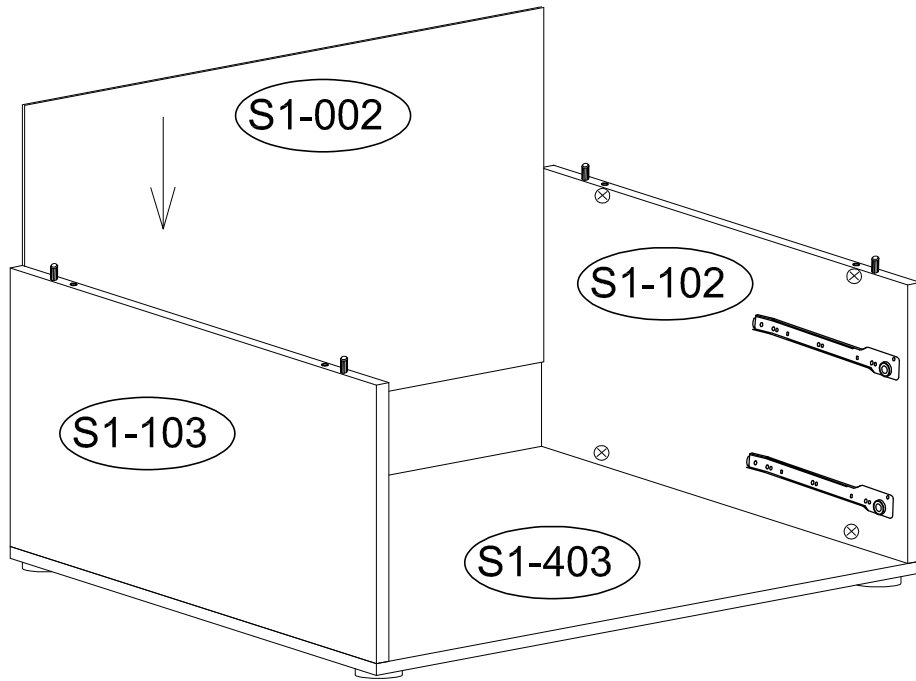
4



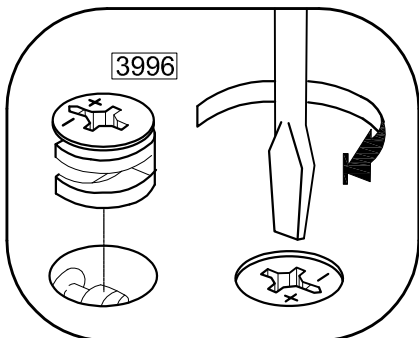
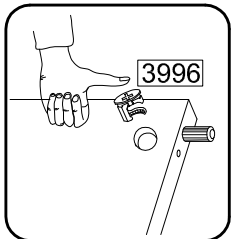
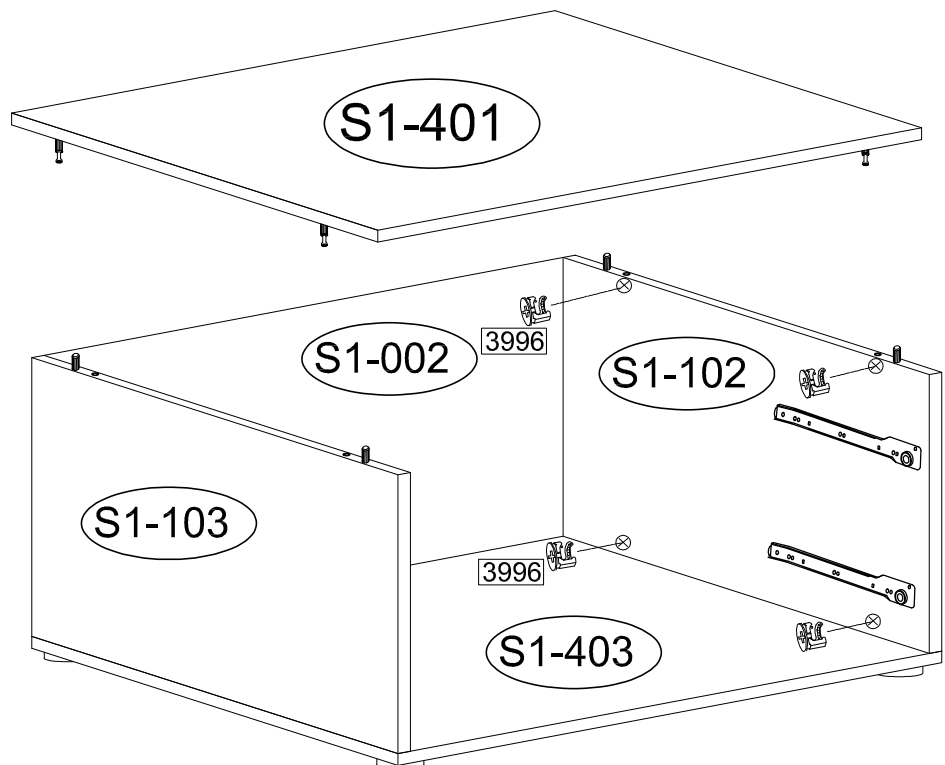
5



6

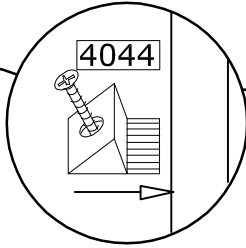
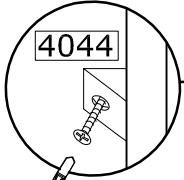
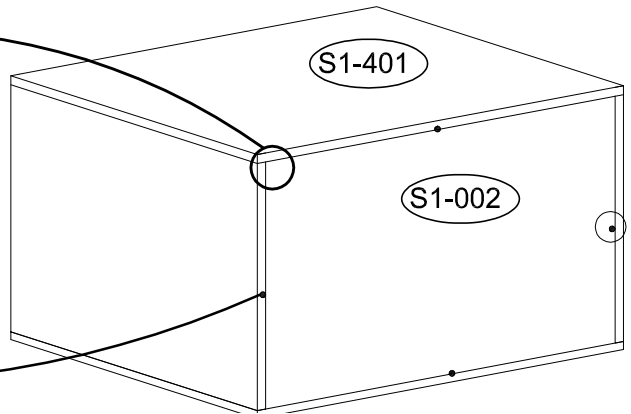
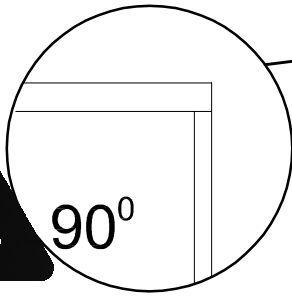
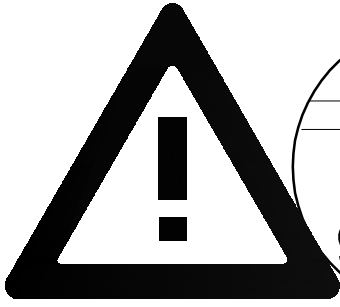


7








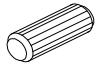


8

4044  x8		
--	--	--



9

IN01608  x2	3894  x4	IN01157  x8	3804  x2	3918  x8		
3983  x1	3989  x8					

