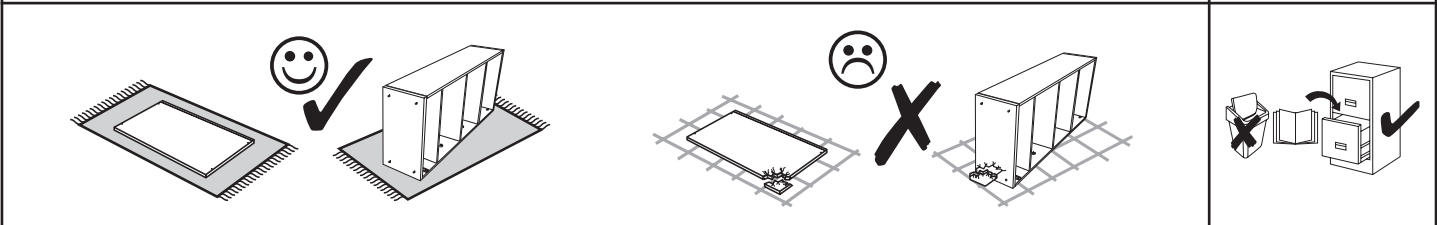
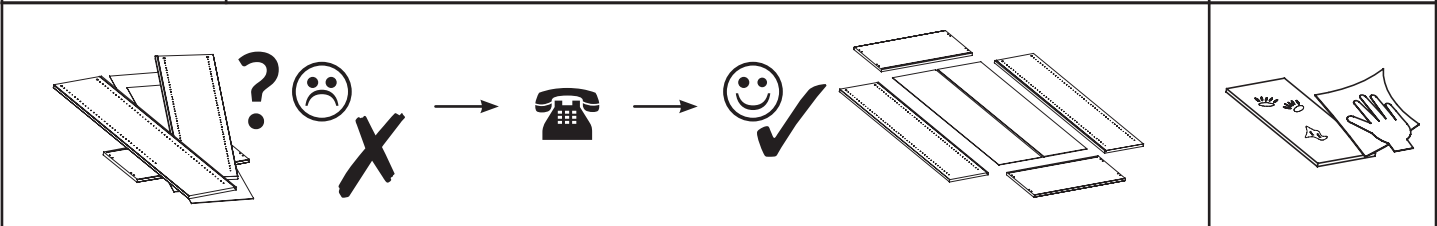
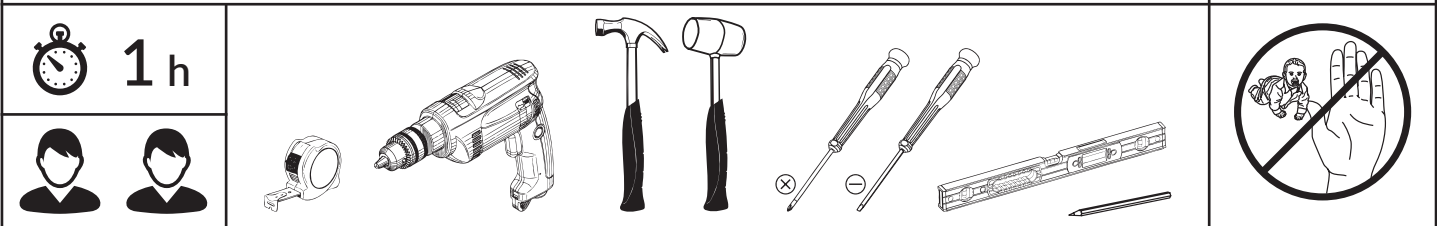
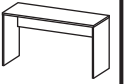
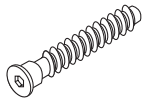
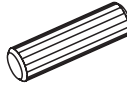
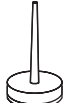
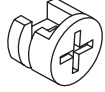
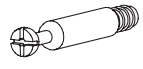
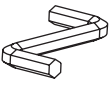


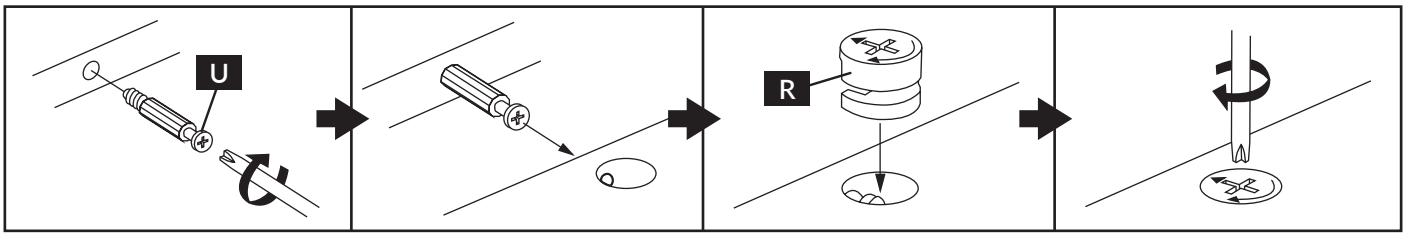
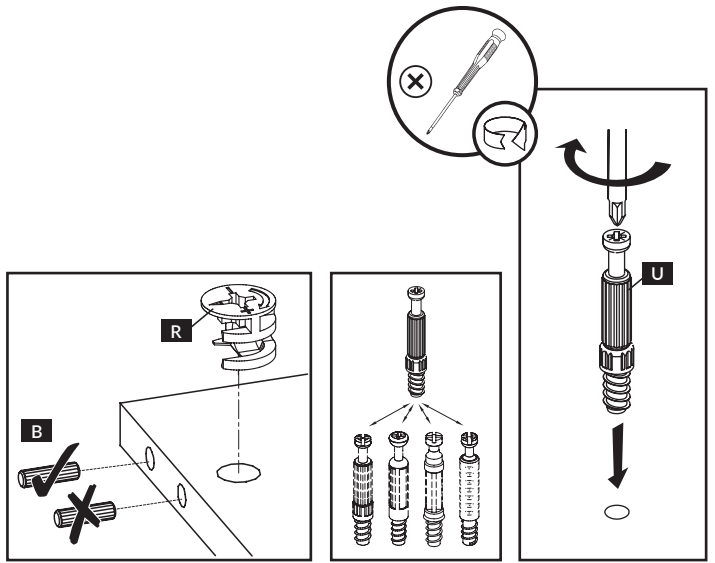
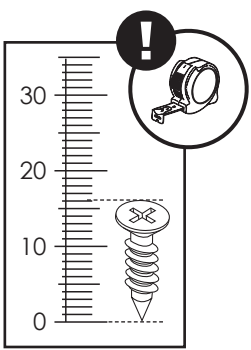


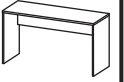
2019-09-23



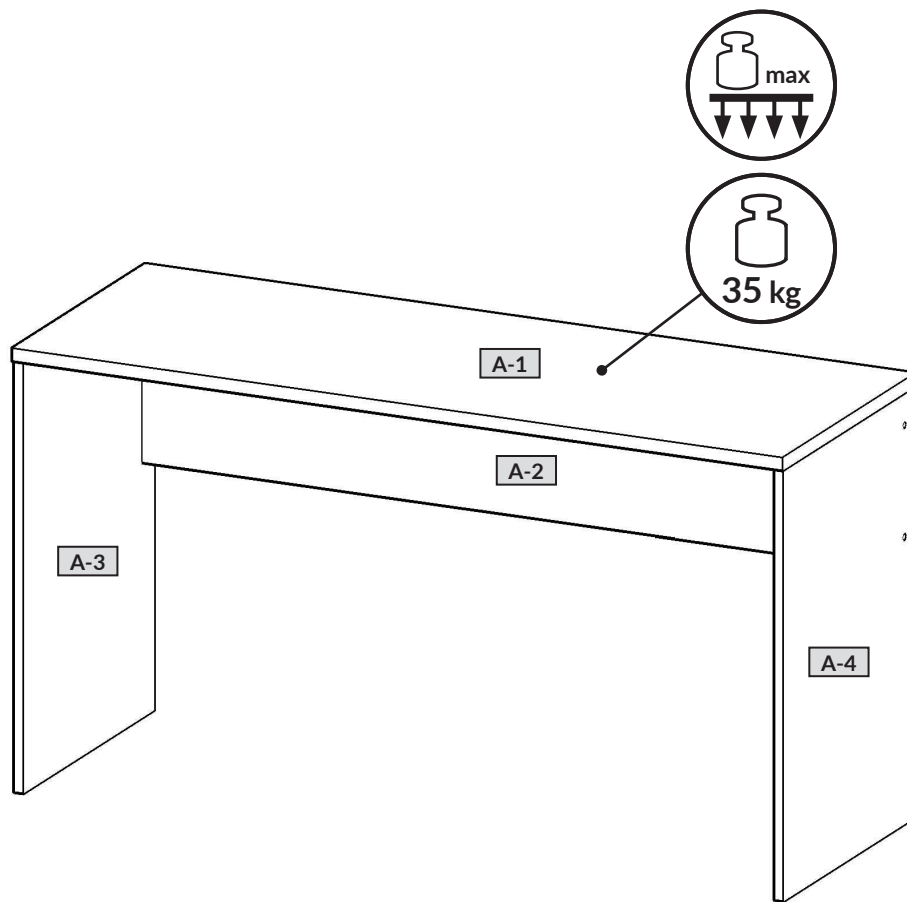


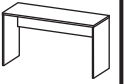
| | | | | | |
|--|---|---|---|---|---|
| <p>A</p>  <p>7 x 50 mm x 4</p> | <p>B</p>  <p>8 x 32 mm x 4</p> | <p>G2</p>  <p> x 4</p> | <p>R</p>  <p>H=11 mm x 5</p> | <p>U</p>  <p>L=24,3 mm x 5</p> | <p>XA</p>  <p> x 1</p> |
| <p>ZA</p>  <p>Ø 4 x 4</p> | <p>ZR</p>  <p>Ø 15 x 5</p> | | | | |





| nr | ↔ [mm] | ↓ [mm] | ∅ [mm] | Menge | Colli |
|-----|--------|--------|--------|-------|-------|
| A-1 | 1382 | 504 | 22 | x 1 | 1/1 |
| A-2 | 1348 | 300 | 16 | x 1 | 1/1 |
| A-3 | 734 | 498 | 16 | x 1 | 1/1 |
| A-4 | 734 | 498 | 16 | x 1 | 1/1 |





1

B

8 x 32 mm x 4

G2

x 4

R

H=11 mm x 4

2

U

L=24,3 mm x 5

3

A

7 x 50 mm x 4

XA

x 1

ZA

∅4 x 4

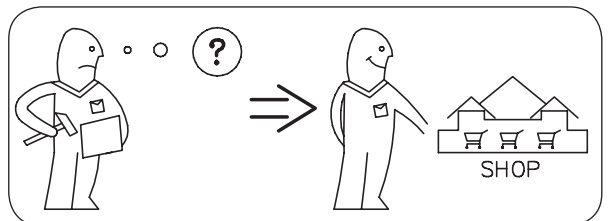
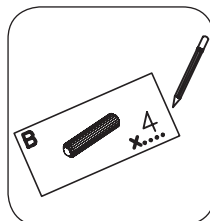
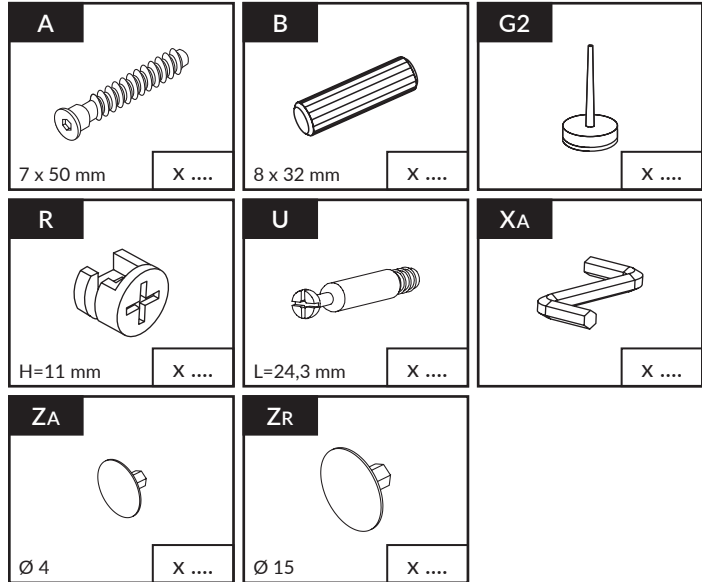
4

R

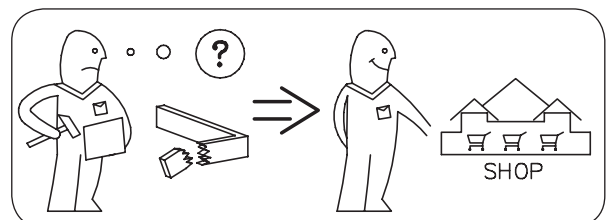
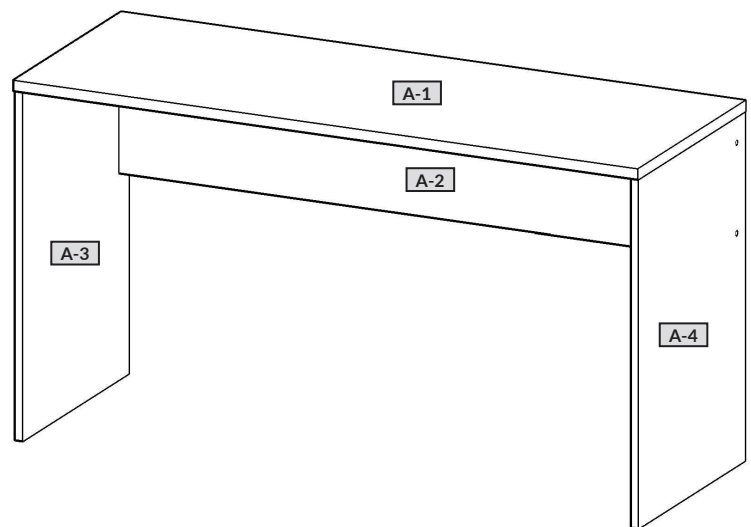
H=11 mm x 1

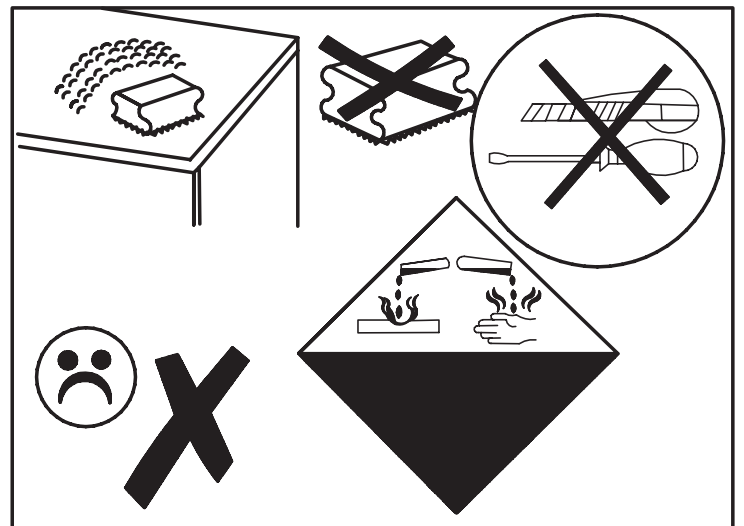
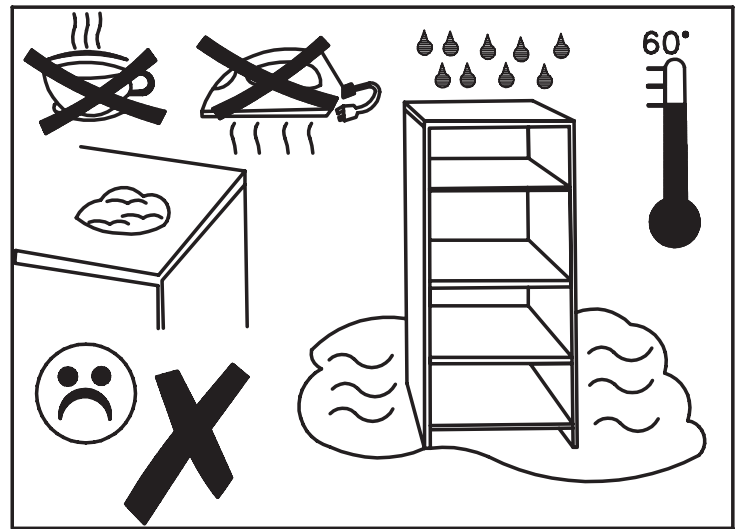
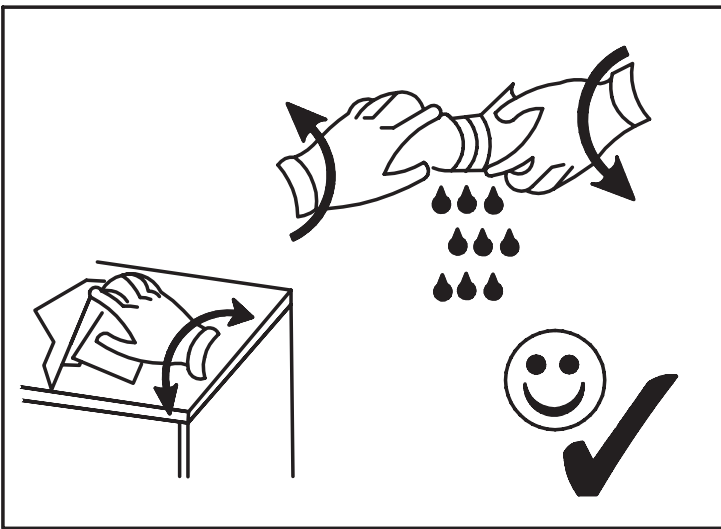
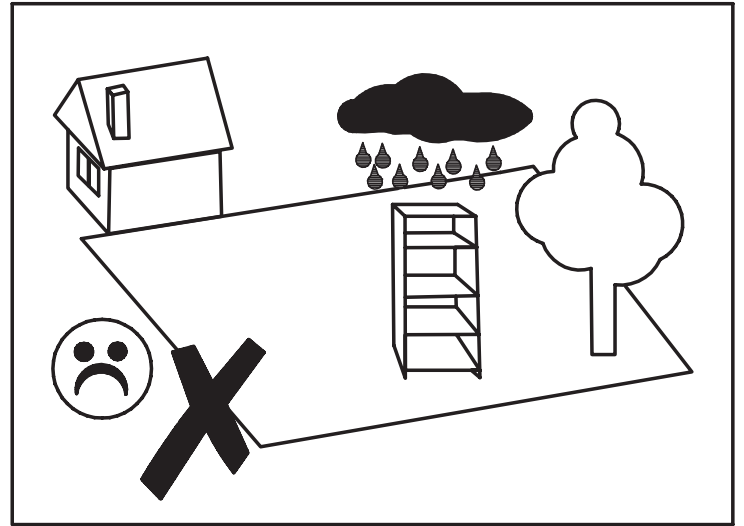
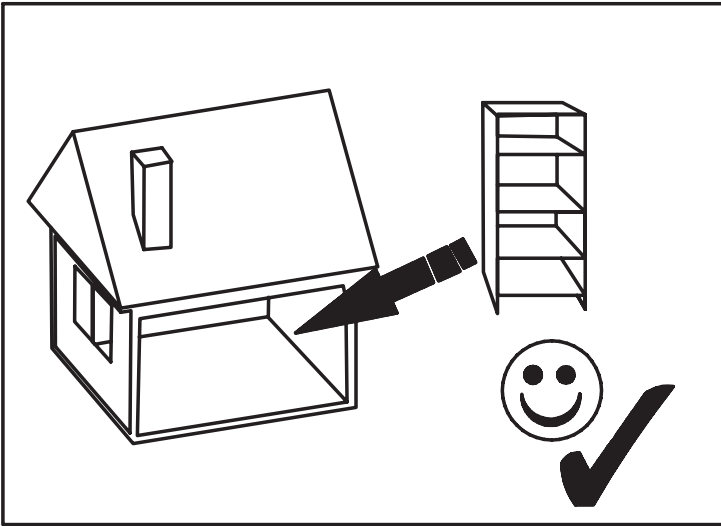
ZR

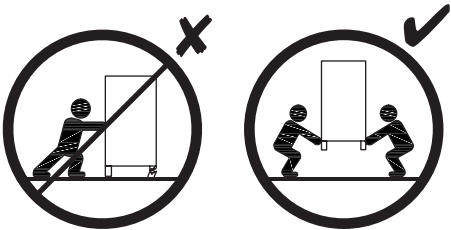
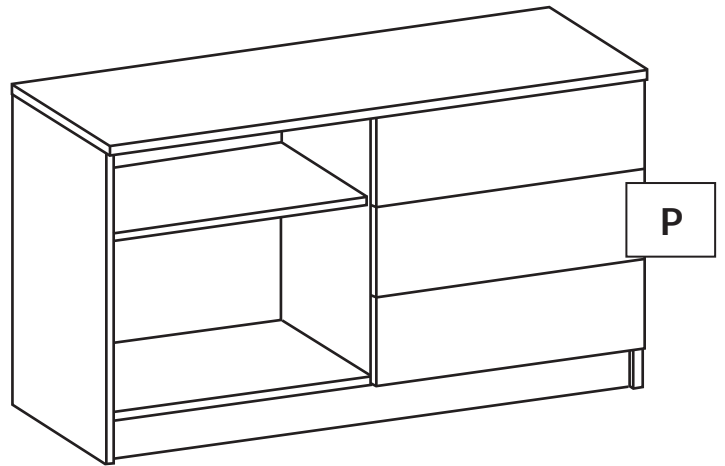
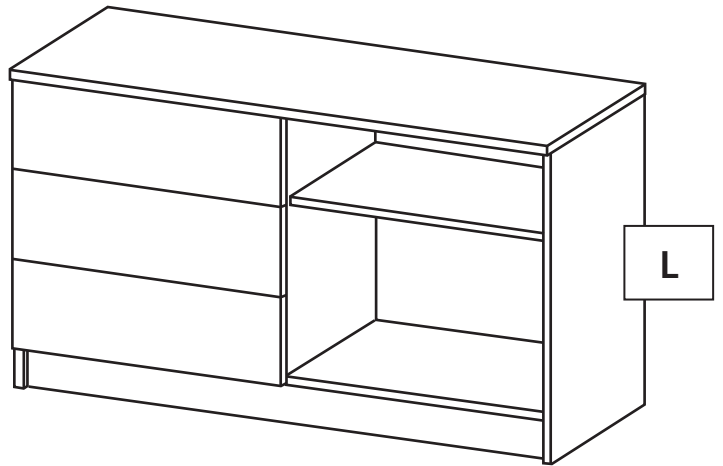
∅15 x 5



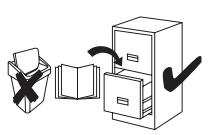
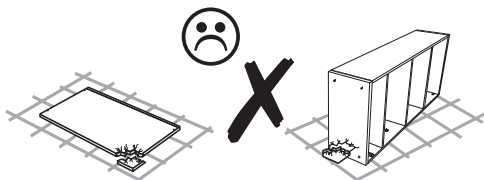
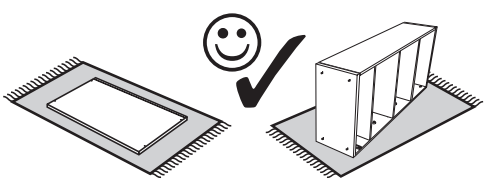
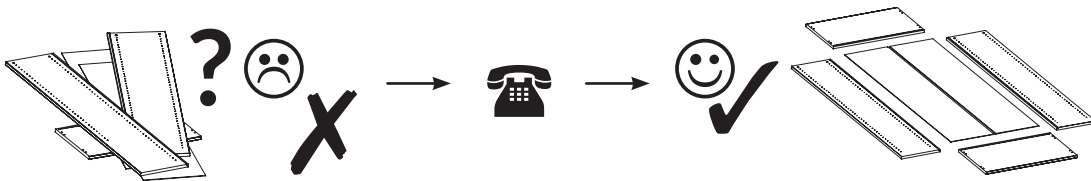
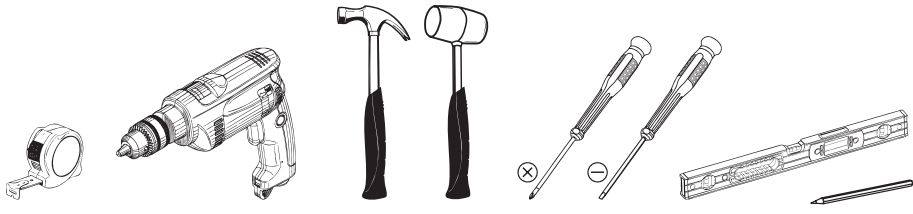
| nr | ↔ [mm] | ↓ [mm] | ∅ [mm] | Menge | Colli |
|-----|--------|--------|--------|-------|-------|
| A-1 | 1382 | 504 | 22 | x 1 | 1/1 |
| A-2 | 1348 | 300 | 16 | x 1 | 1/1 |
| A-3 | 734 | 498 | 16 | x 1 | 1/1 |
| A-4 | 734 | 498 | 16 | x 1 | 1/1 |



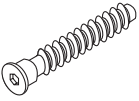
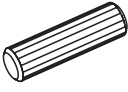
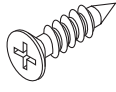
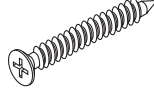
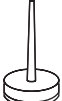
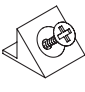
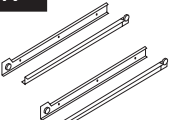
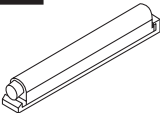
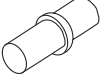
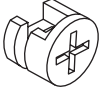
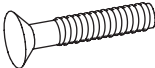

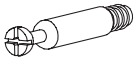
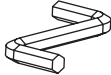




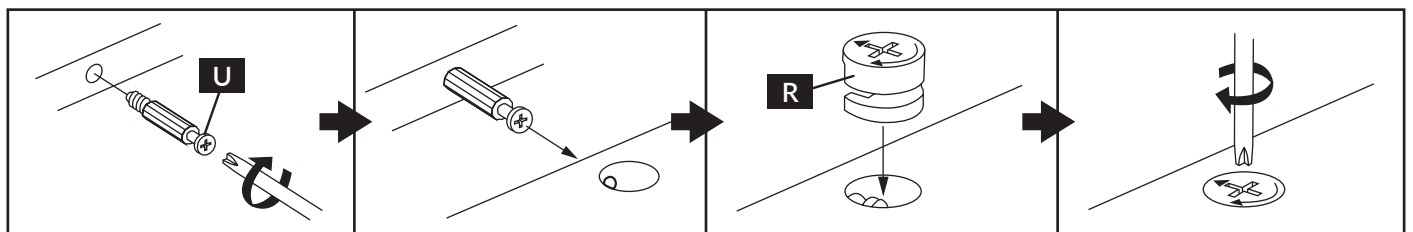
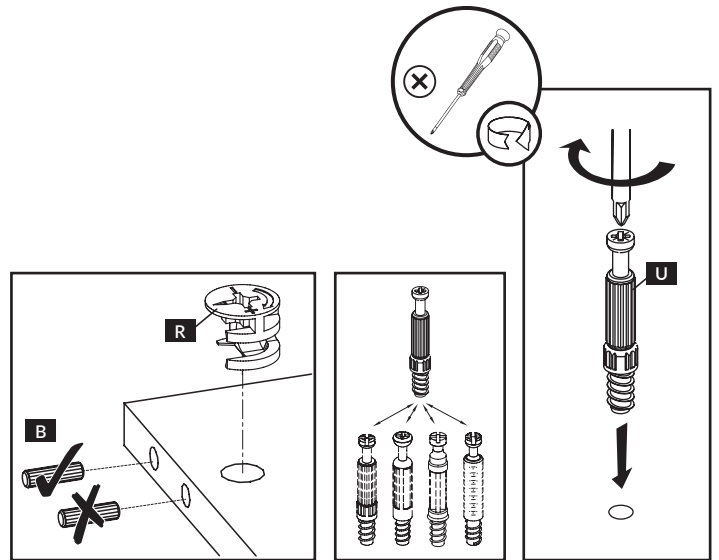
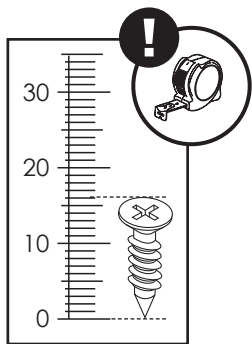


2019-09-20



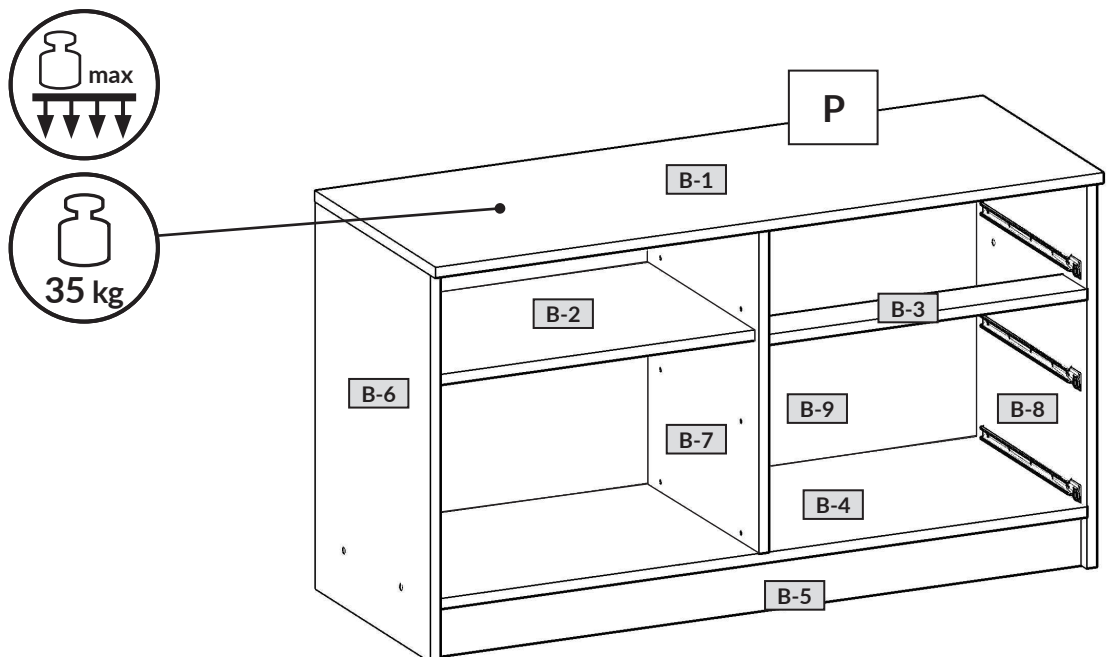
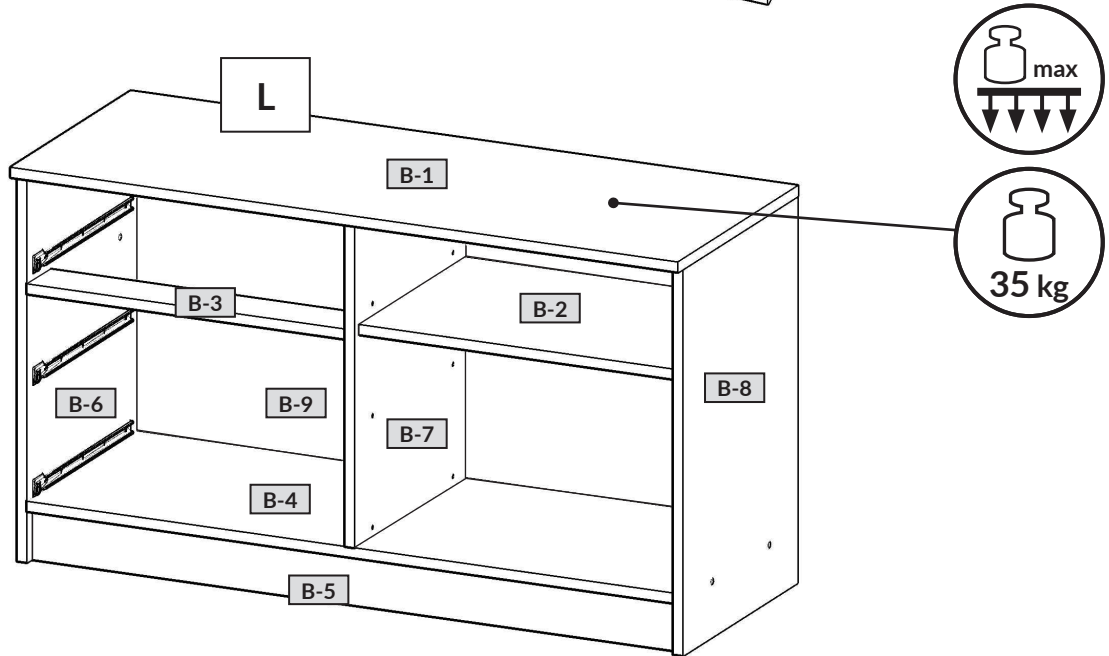
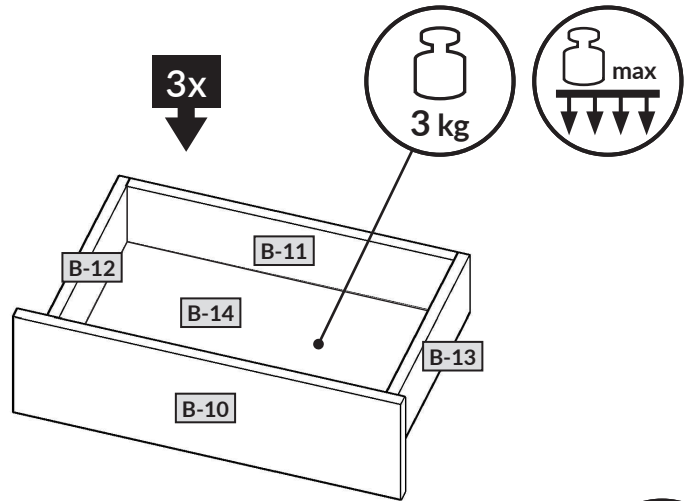


| | | | | | |
|---|---|--|--|--|---|
| <p>A</p>  <p>7 x 50 mm x 6</p> | <p>B</p>  <p>8 x 32 mm x 28</p> | <p>E</p>  <p>3,5 x 13 mm x 6</p> | <p>E2</p>  <p>3 x 20 mm x 30</p> | <p>G2</p>  <p>x 6</p> | <p>H1</p>  <p>x 10</p> |
| <p>K</p>  <p>L=350 mm x 3</p> | <p>O2</p>  <p>x 3</p> | <p>P</p>  <p>x 4</p> | <p>R</p>  <p>H=11 mm x 12</p> | <p>RB</p>  <p>x 12</p> | <p>T3</p>  <p>5 x 9 mm x 12</p> |
| <p>U</p>  <p>L=24,3 mm x 12</p> | <p>XA</p>  <p>x 1</p> | <p>ZA</p>  <p>Ø 4 x 4</p> | <p>ZR</p>  <p>Ø 15 x 12</p> | | |



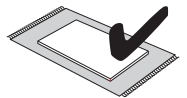
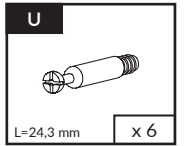
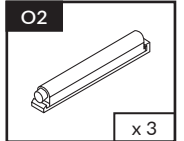
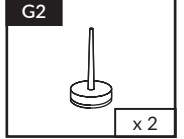
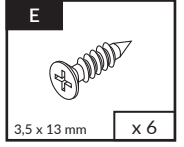
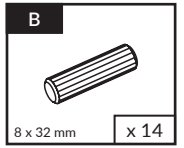
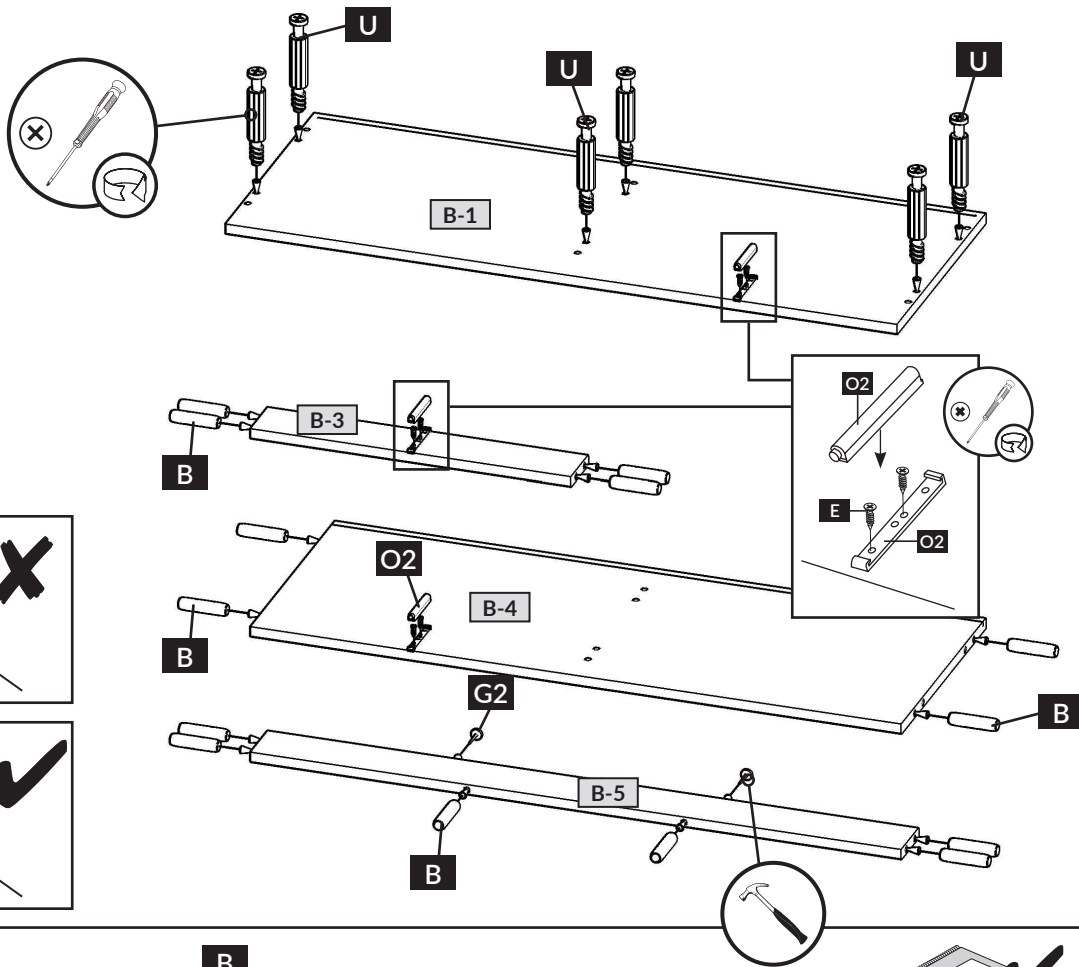


| nr | ↔ [mm] | ↓ [mm] | ∇ [mm] | Menge | Colli |
|------|--------|--------|--------|-------|-------|
| B-1 | 1102 | 420 | 16 | x 1 | 1/1 |
| B-2 | 526 | 370 | 16 | x 1 | 1/1 |
| B-3 | 526 | 80 | 16 | x 1 | 1/1 |
| B-4 | 1068 | 400 | 16 | x 1 | 1/1 |
| B-5 | 1068 | 80 | 16 | x 1 | 1/1 |
| B-6 | 606 | 400 | 16 | x 1 | 1/1 |
| B-7 | 510 | 385 | 16 | x 1 | 1/1 |
| B-8 | 606 | 400 | 16 | x 1 | 1/1 |
| B-9 | 1083 | 524 | 3 | x 1 | 1/1 |
| B-10 | 554 | 172 | 16 | x 3 | 1/1 |
| B-11 | 469 | 100 | 16 | x 3 | 1/1 |
| B-12 | 350 | 100 | 16 | x 3 | 1/1 |
| B-13 | 350 | 100 | 16 | x 3 | 1/1 |
| B-14 | 500 | 356 | 3 | x 3 | 1/1 |

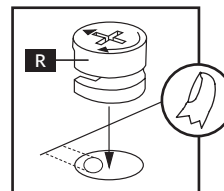
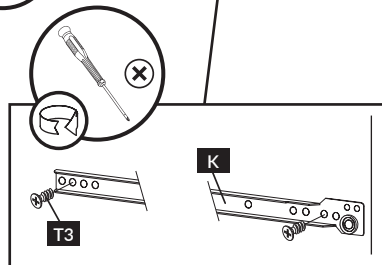
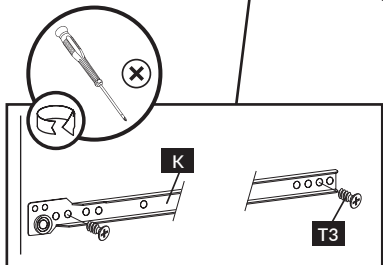
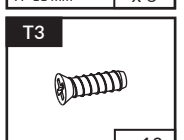
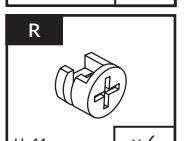
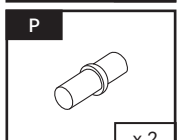
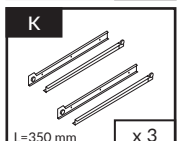
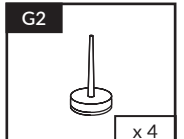
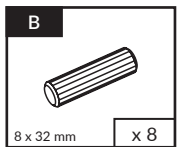
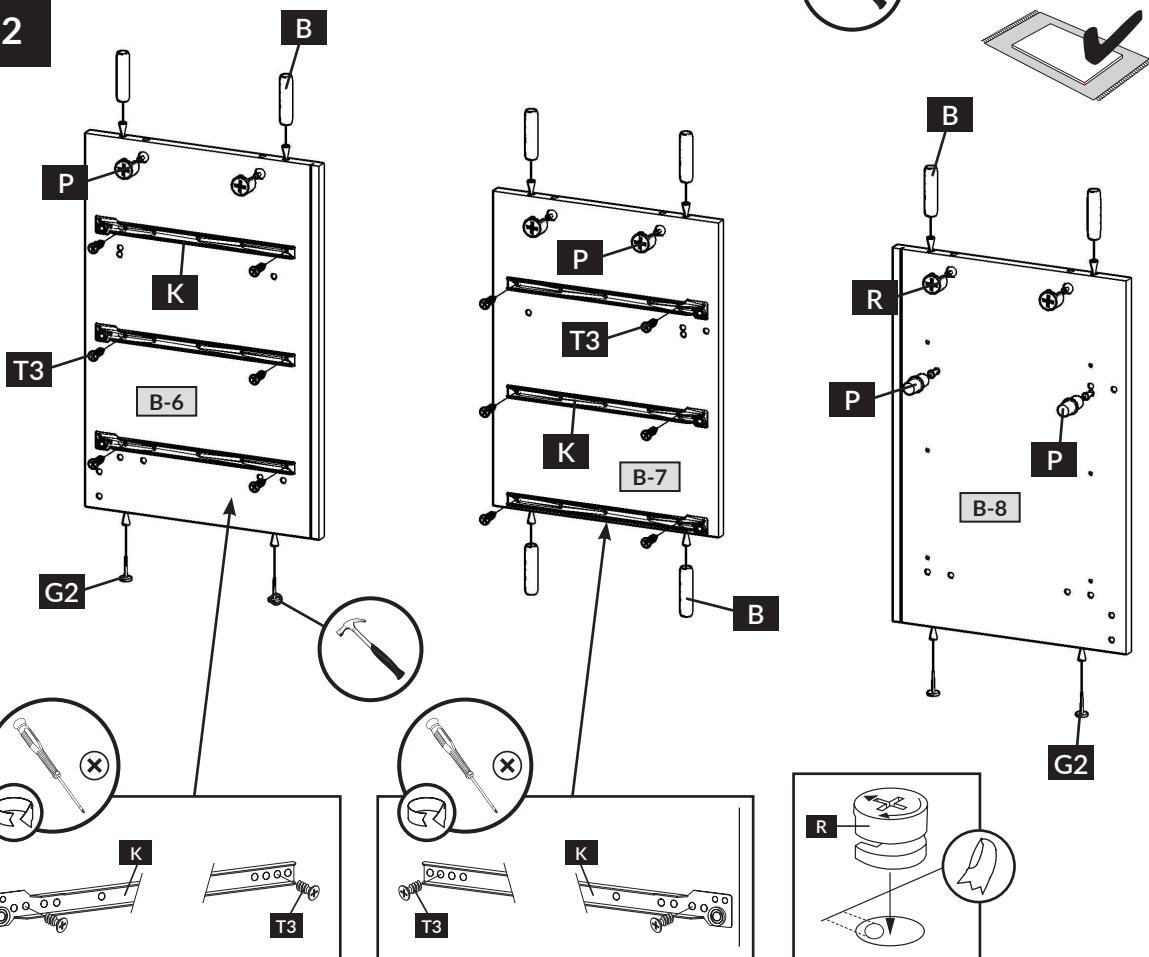


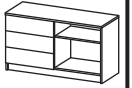


L1

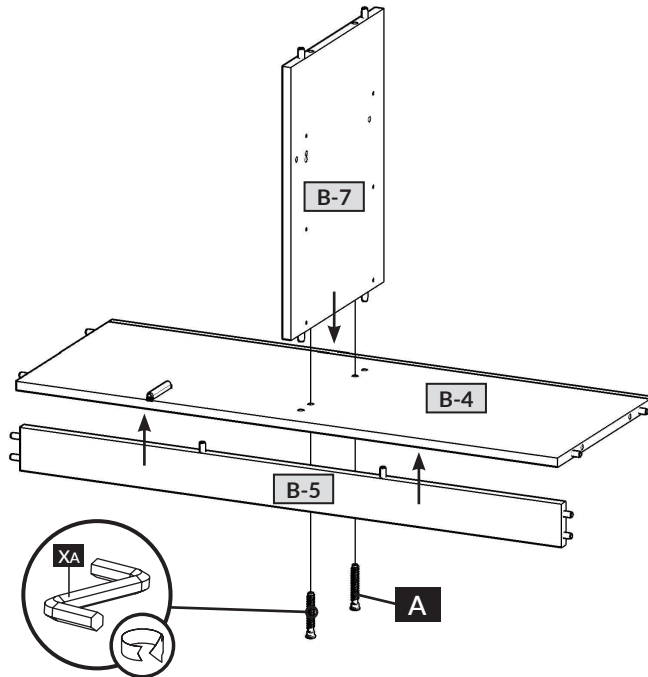


L2



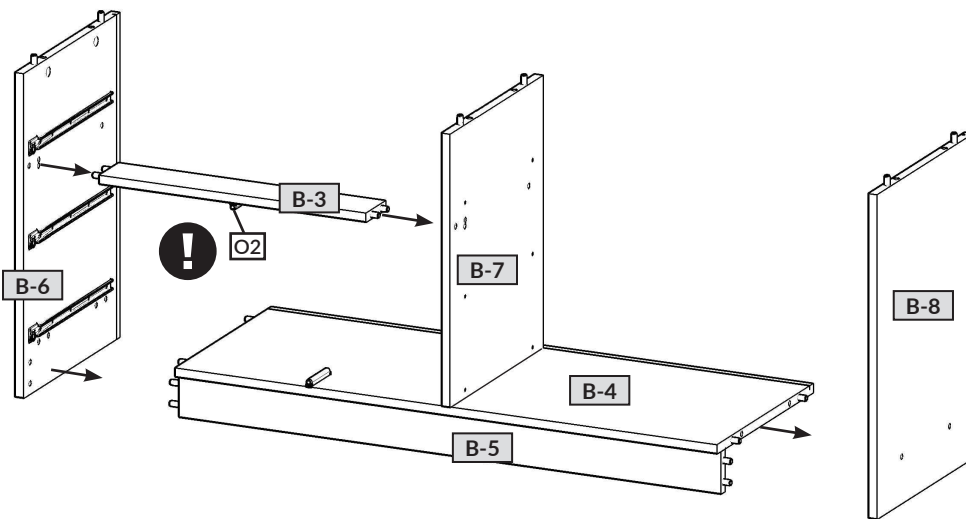


L3

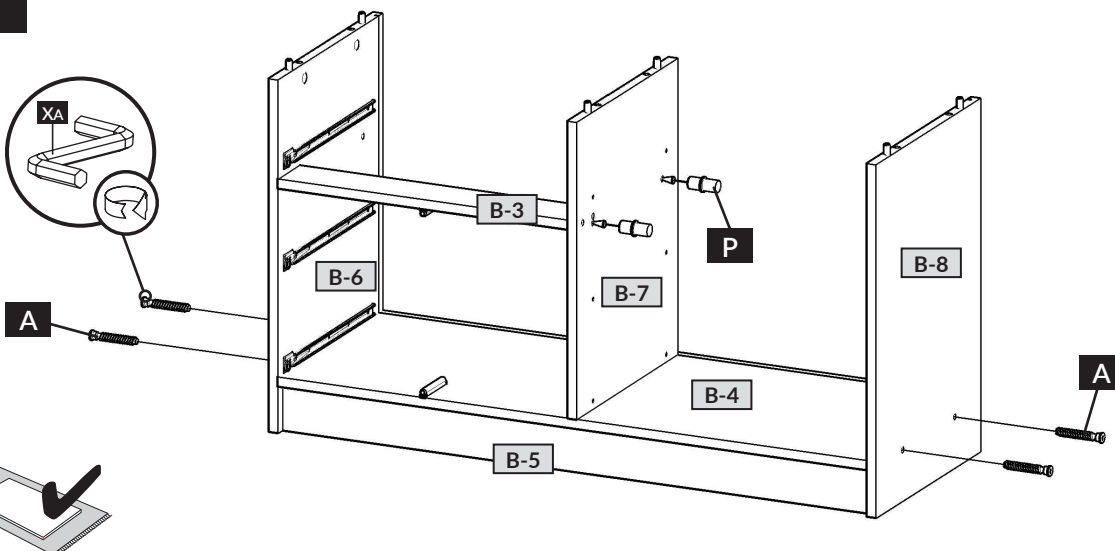


- A**
7 x 50 mm x 2
- XA**
x 1

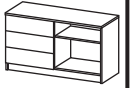
L4



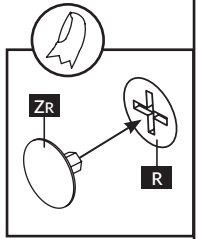
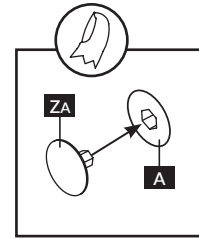
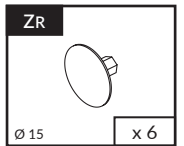
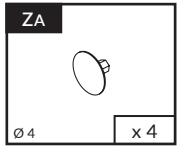
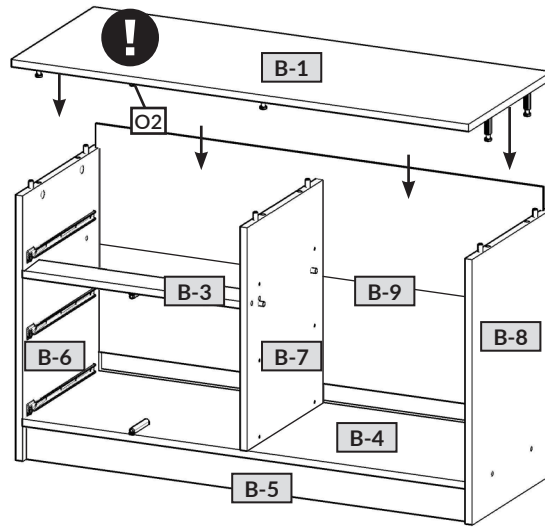
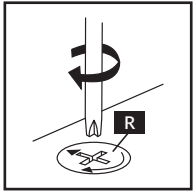
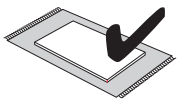
L5



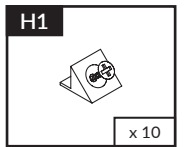
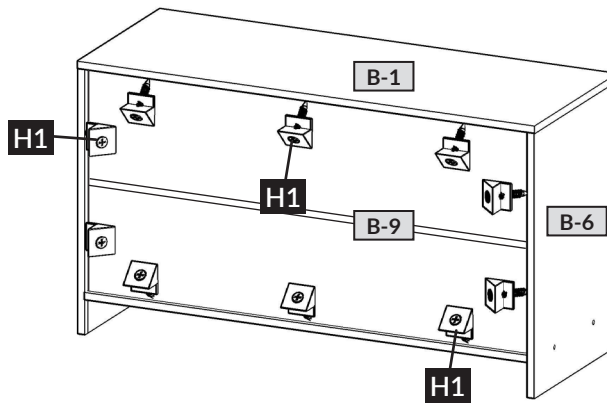
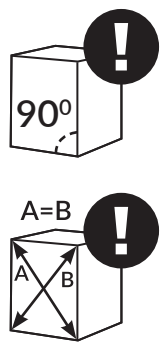
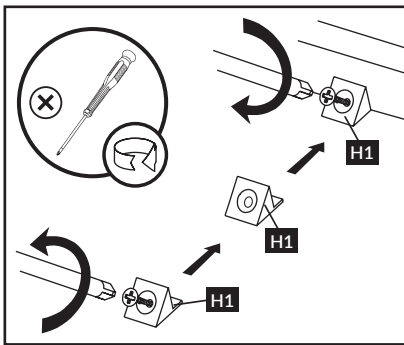
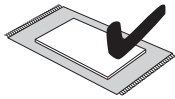
- A**
7 x 50 mm x 4
- P**
x 2
- XA**
x 1



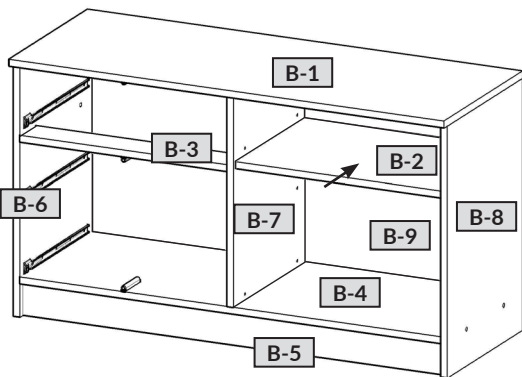
L 6



L 7



L 8



L 9

