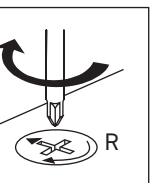
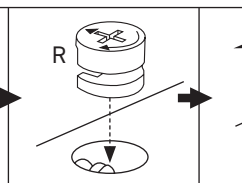
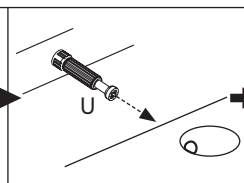
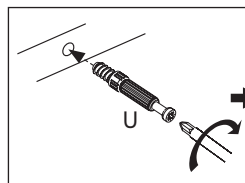
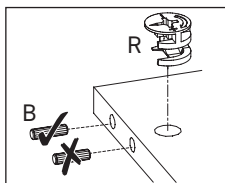
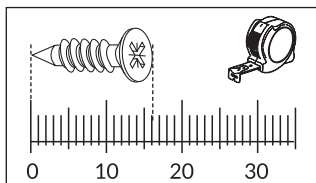
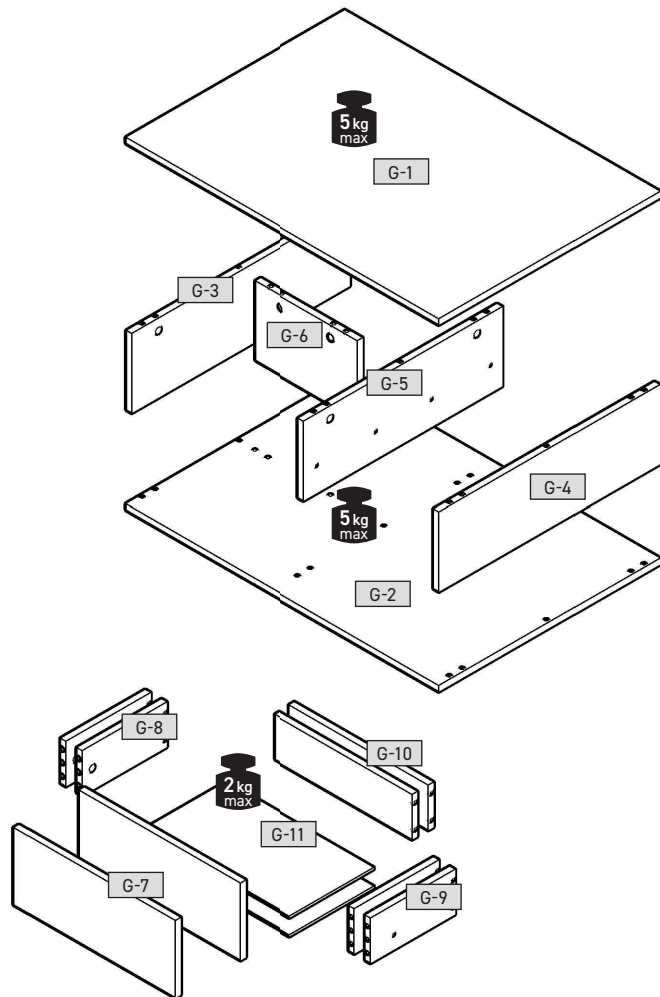


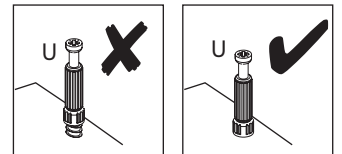
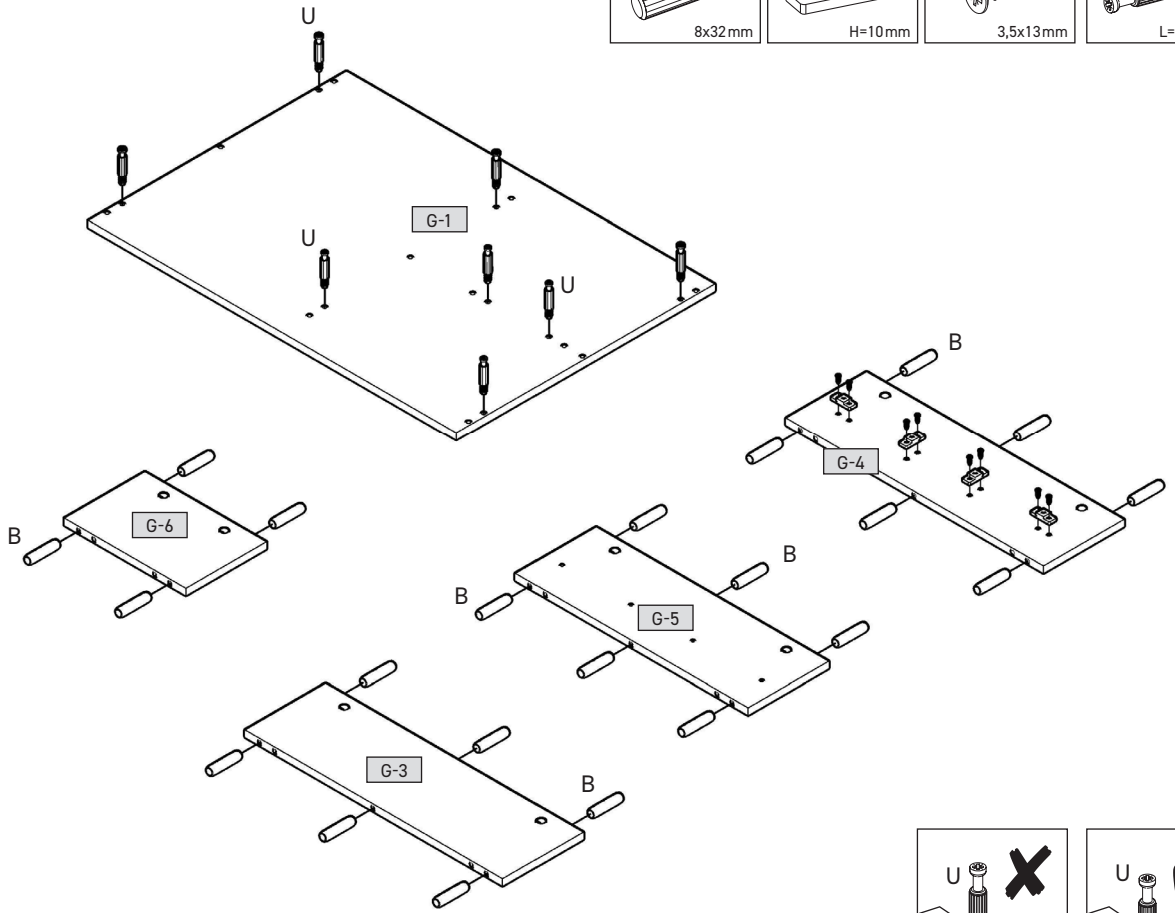
G-1	969	680	16	x 1	1/1
G-2	969	680	16	x 1	1/1
G-3	212	678	16	x 1	1/1
G-4	212	678	16	x 1	1/1
G-5	212	614	16	x 1	1/1
G-6	212	320	16	x 1	1/1
G-7	496	206	16	x 2	1/1
G-8	300	120	16	x 2	1/1
G-9	300	120	16	x 2	1/1
G-10	426	120	16	x 2	1/1
G-11	456	306	3	x 2	1/1



1



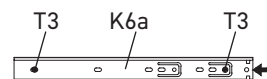
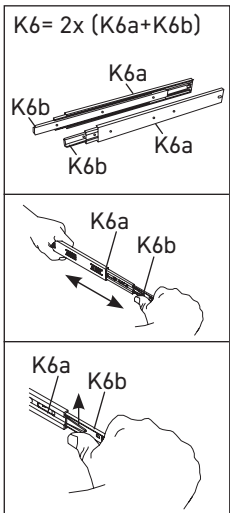
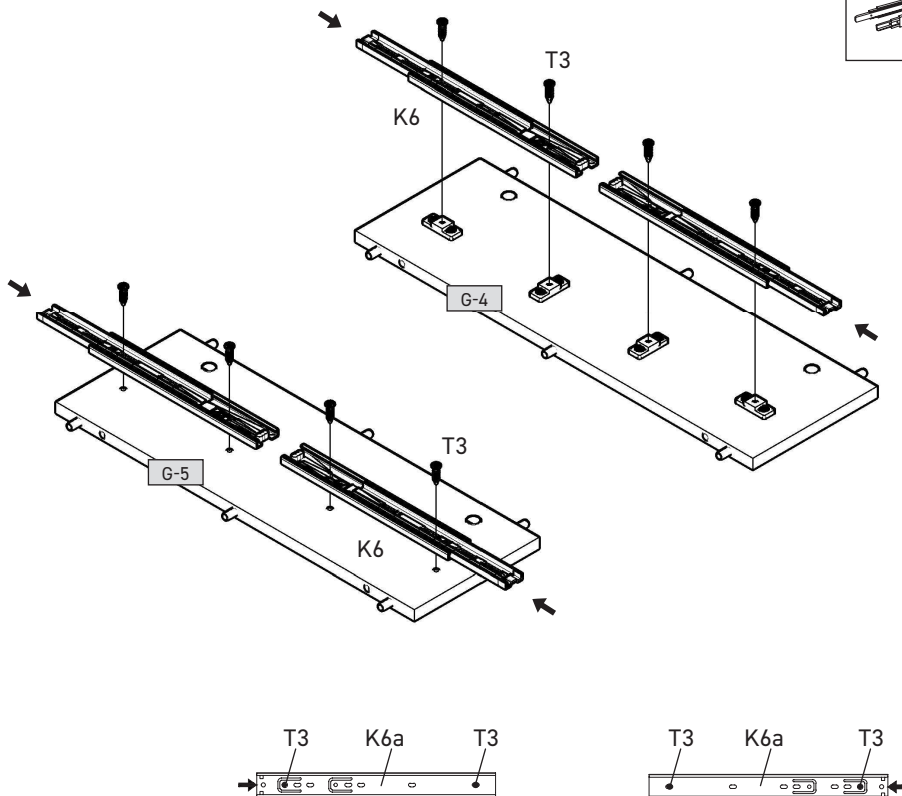
<b>B</b>	x22	<b>DS</b>	x4	<b>E</b>	x8	<b>U</b>	x8
	8x32mm		H=10mm		3,5x13mm		L=24,3mm



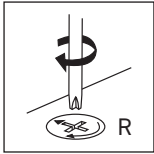
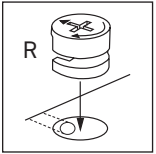
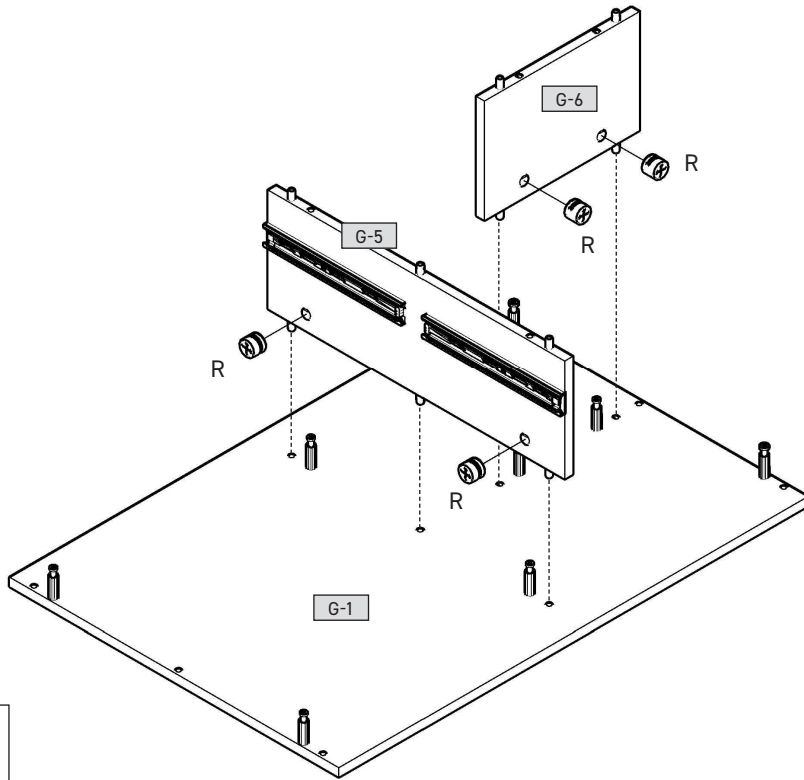
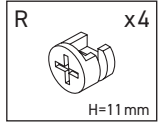
2



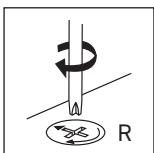
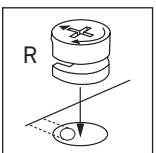
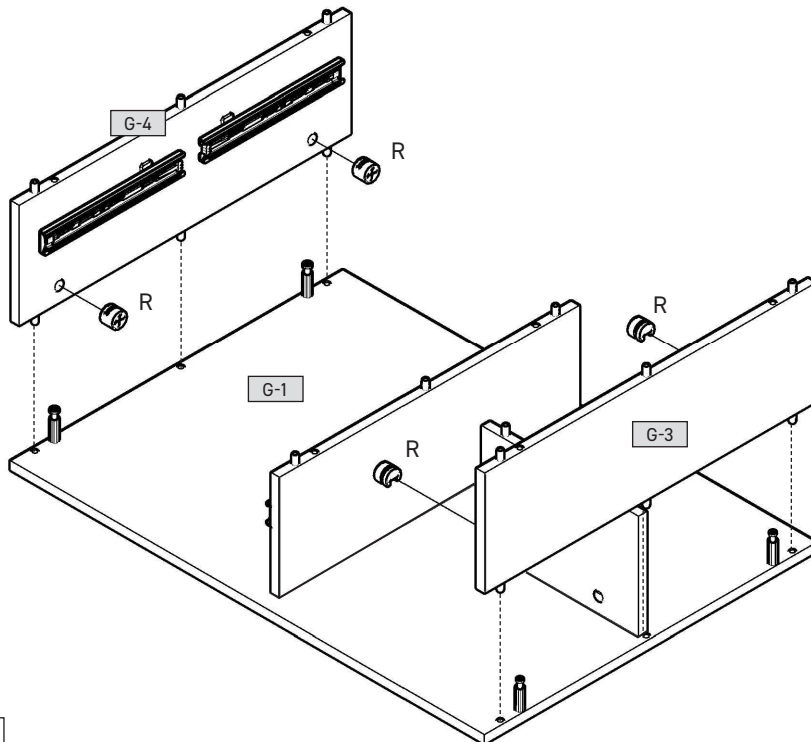
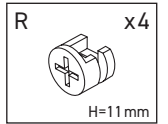
<b>K6</b>	x2	<b>T3</b>	x8
	L=250mm		5x9mm



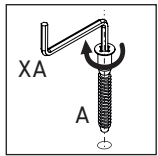
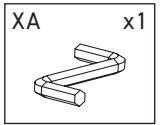
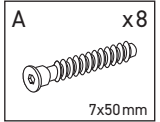
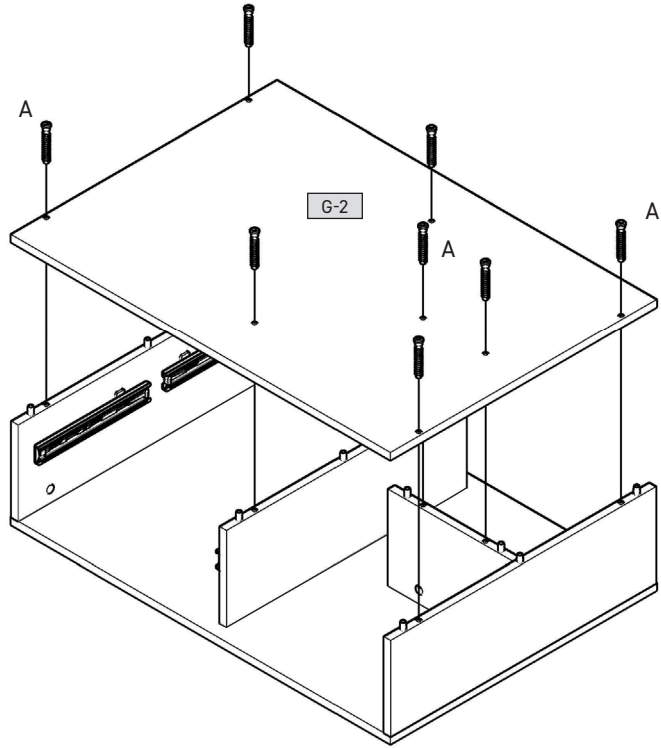
3



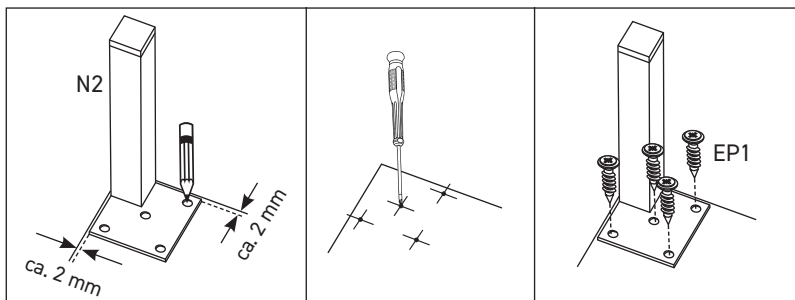
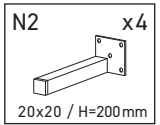
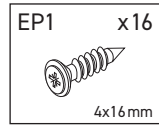
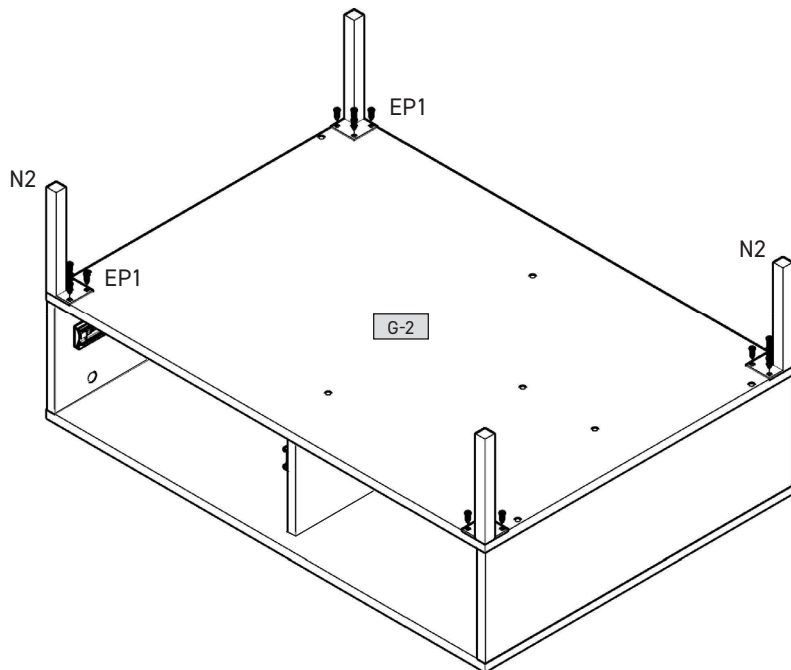
4



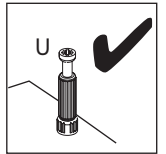
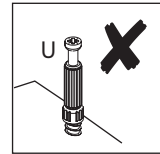
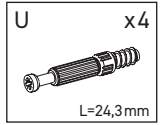
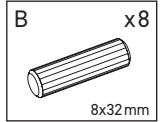
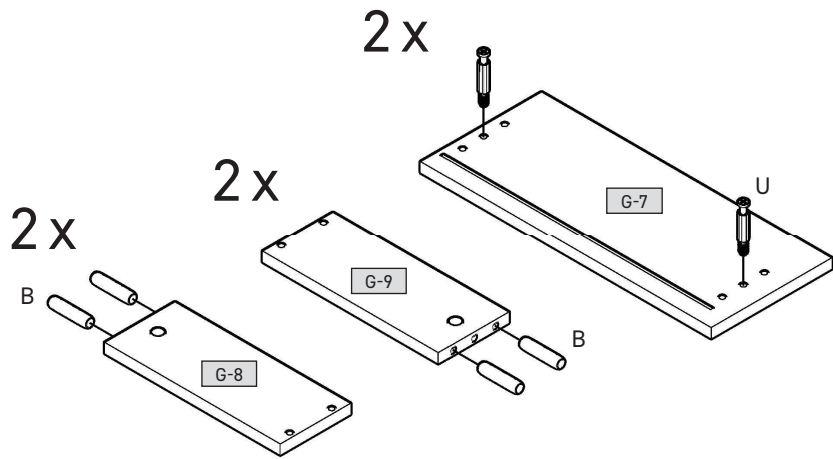
5



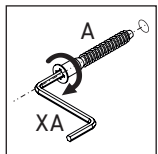
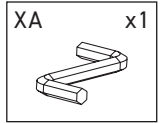
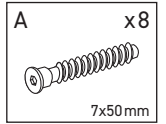
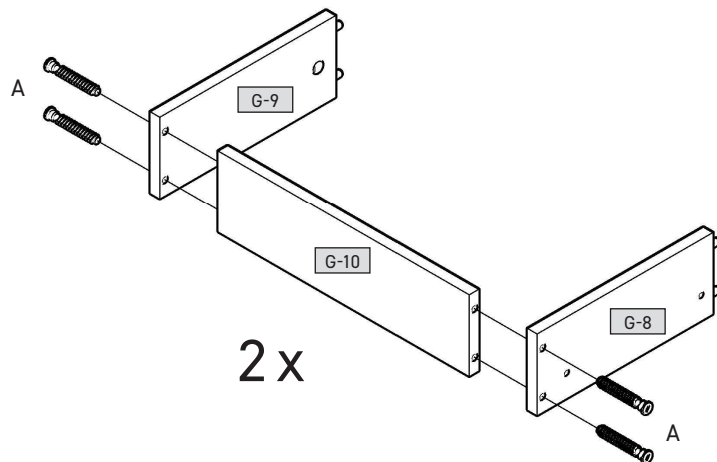
6



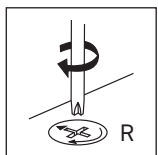
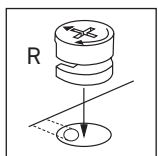
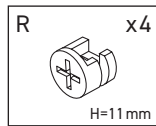
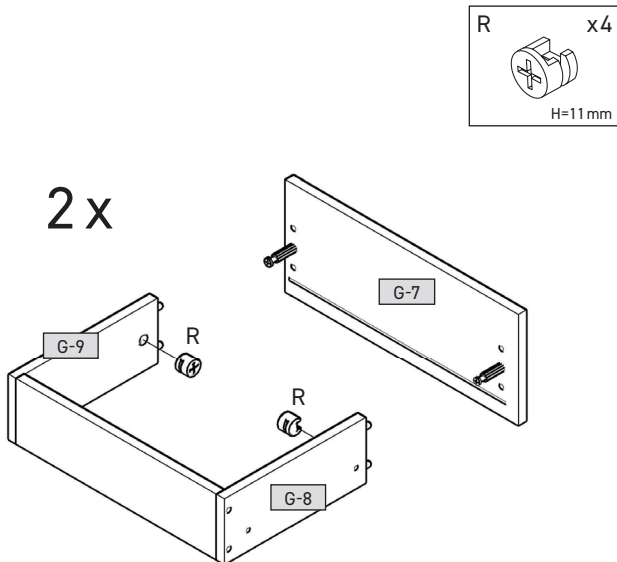
7



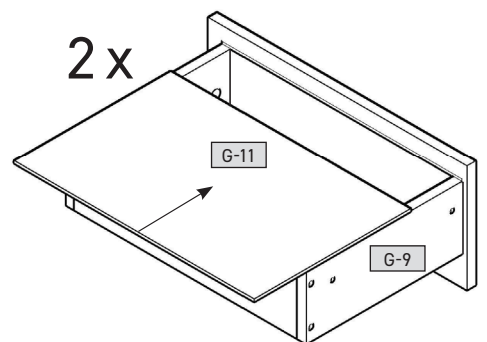
8



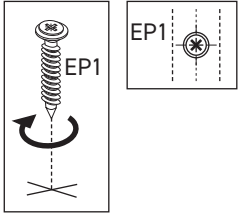
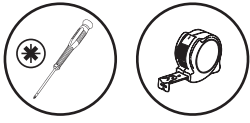
9



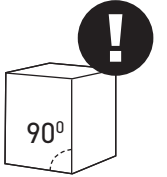
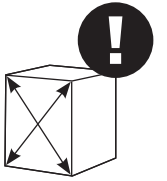
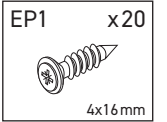
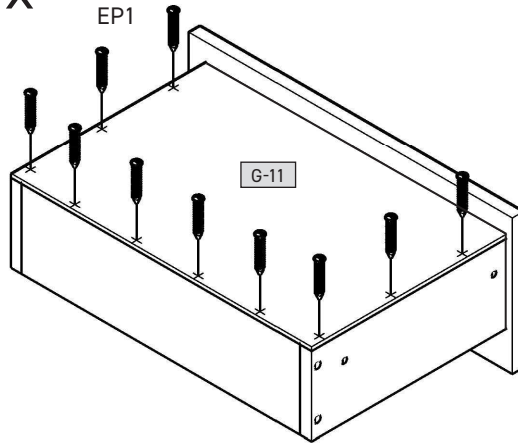
10



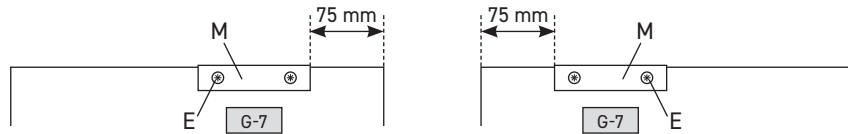
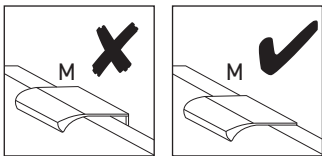
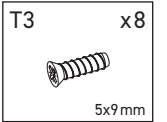
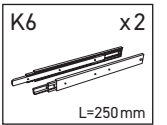
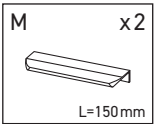
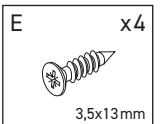
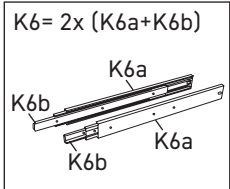
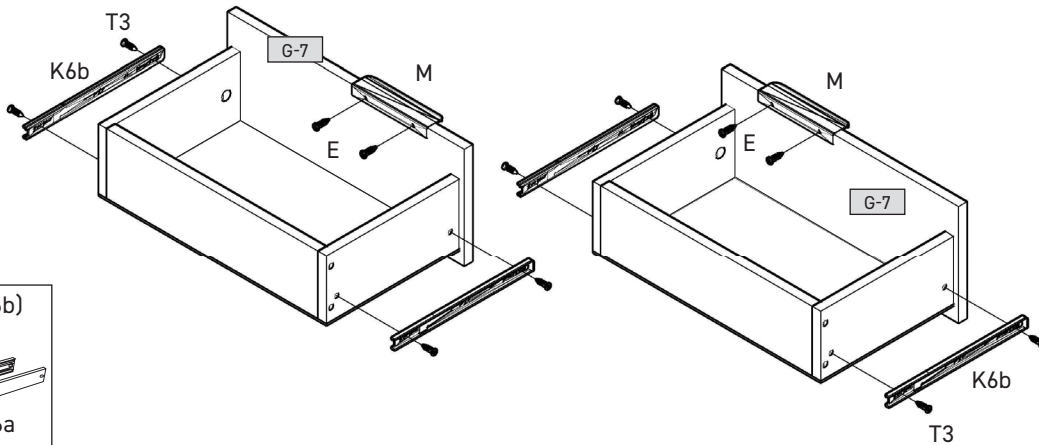
11



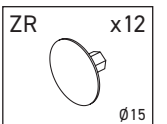
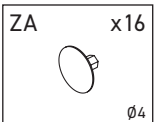
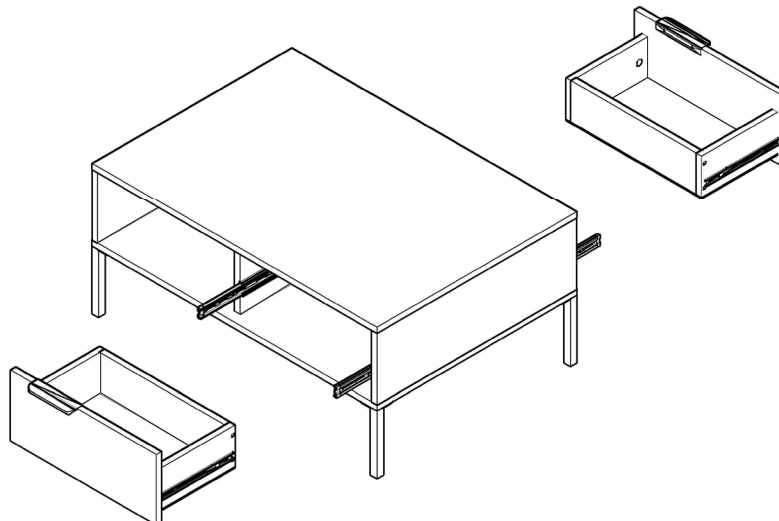
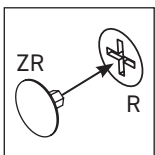
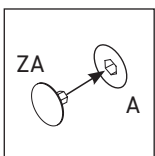
2x



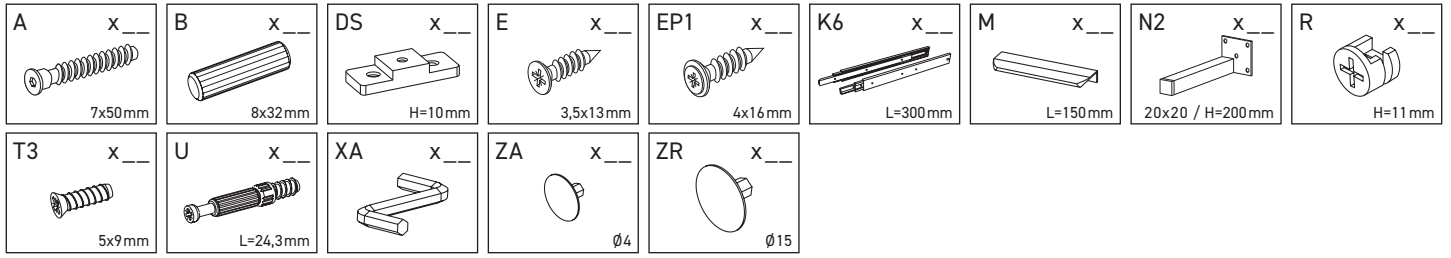
12



13







G-1	969	680	16	x 1	1/1
G-2	969	680	16	x 1	1/1
G-3	212	678	16	x 1	1/1
G-4	212	678	16	x 1	1/1
G-5	212	614	16	x 1	1/1
G-6	212	320	16	x 1	1/1
G-7	496	206	16	x 2	1/1
G-8	300	120	16	x 2	1/1
G-9	300	120	16	x 2	1/1
G-10	426	120	16	x 2	1/1
G-11	456	306	3	x 2	1/1

