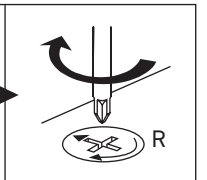
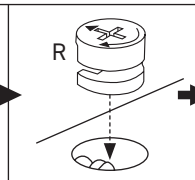
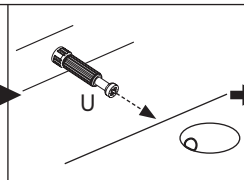
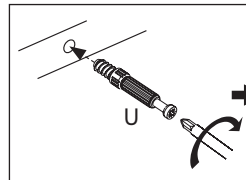
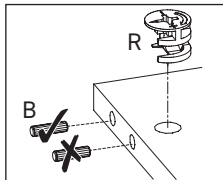
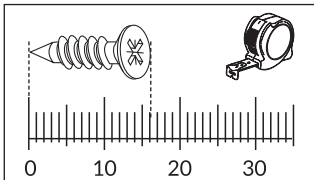
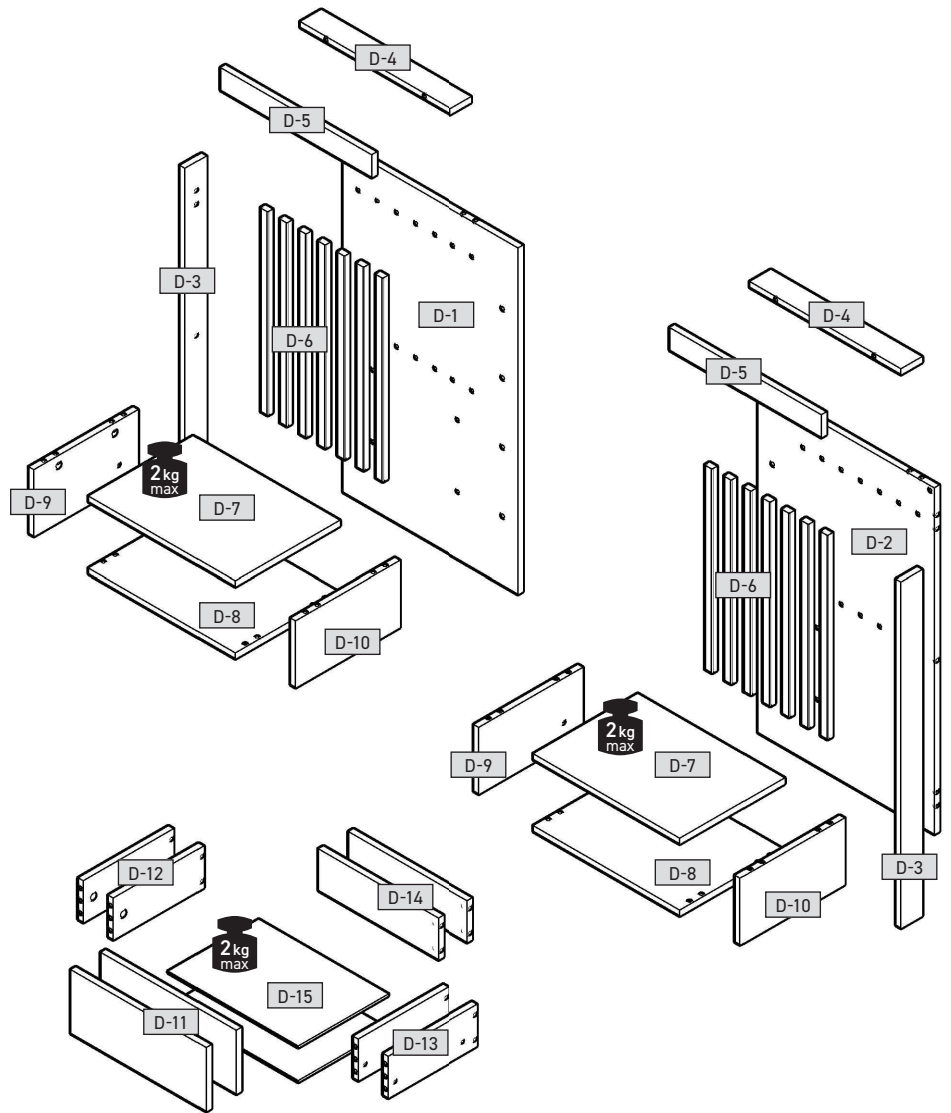
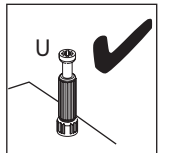
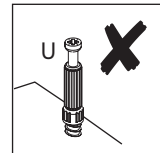
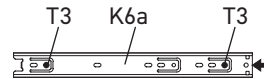
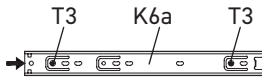
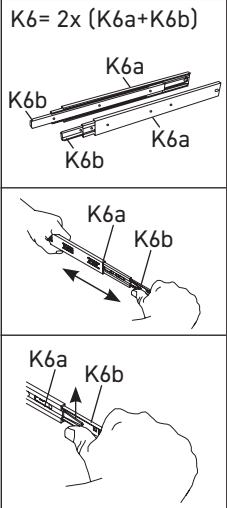
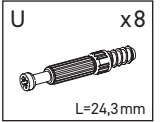
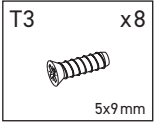
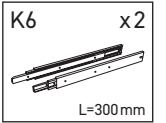
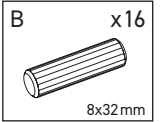
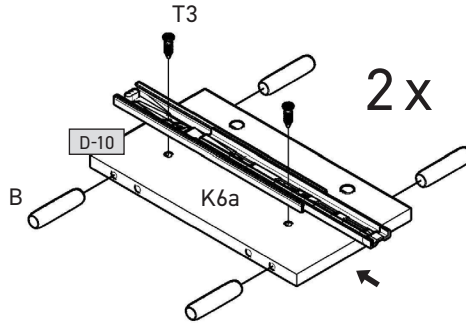
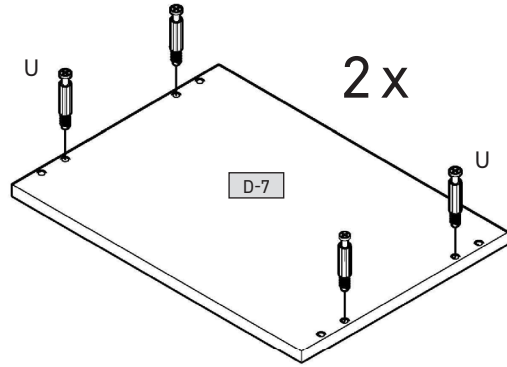
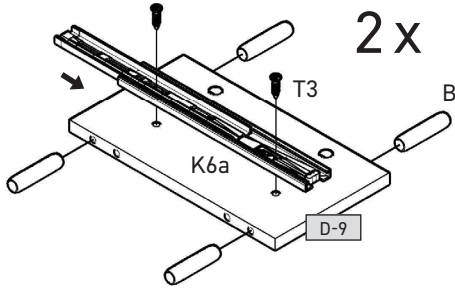


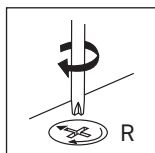
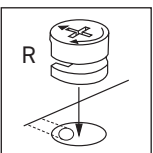
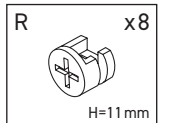
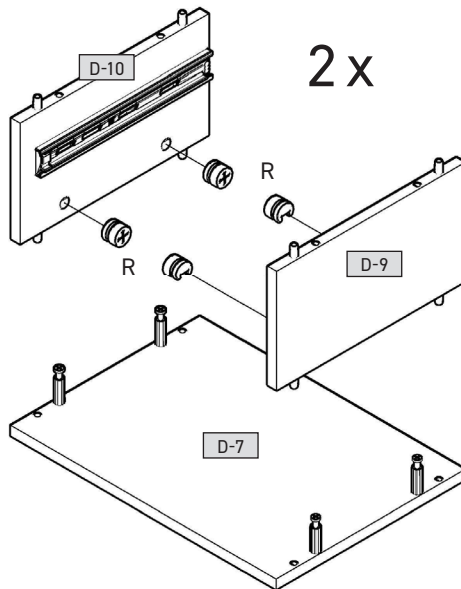
D-1	568	1000	16	x1	1/1
D-2	568	1000	16	x1	1/1
D-3	1000	70	16	x2	1/1
D-4	504	71	16	x2	1/1
D-5	504	65	16	x2	1/1
D-6	584	24	16	x14	1/1
D-7	488	348	16	x2	1/1
D-8	488	348	16	x2	1/1
D-9	192	347	16	x2	1/1
D-10	192	347	16	x2	1/1
D-11	449	185	16	x2	1/1
D-12	300	120	16	x2	1/1
D-13	300	120	16	x2	1/1
D-14	399	120	16	x2	1/1
D-15	429	306	3	x2	1/1



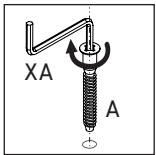
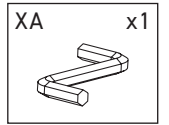
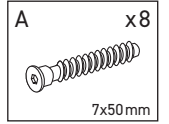
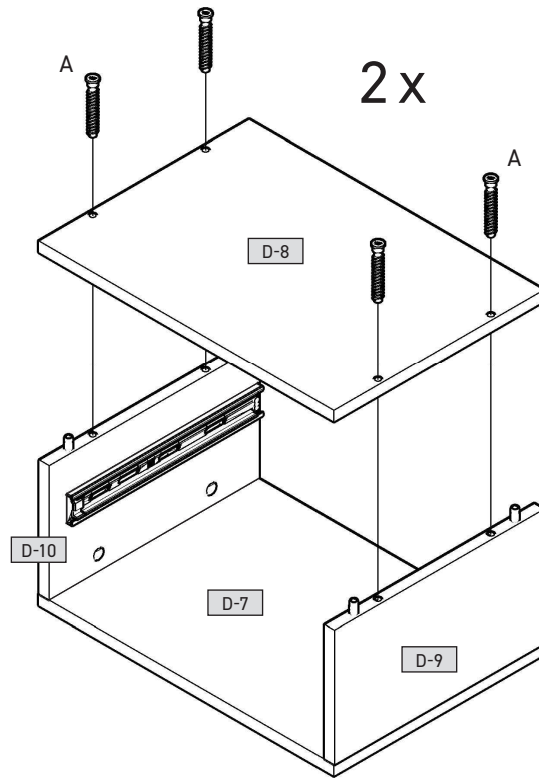
1



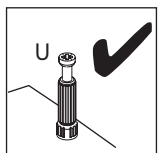
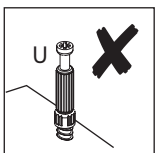
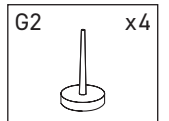
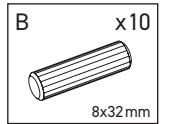
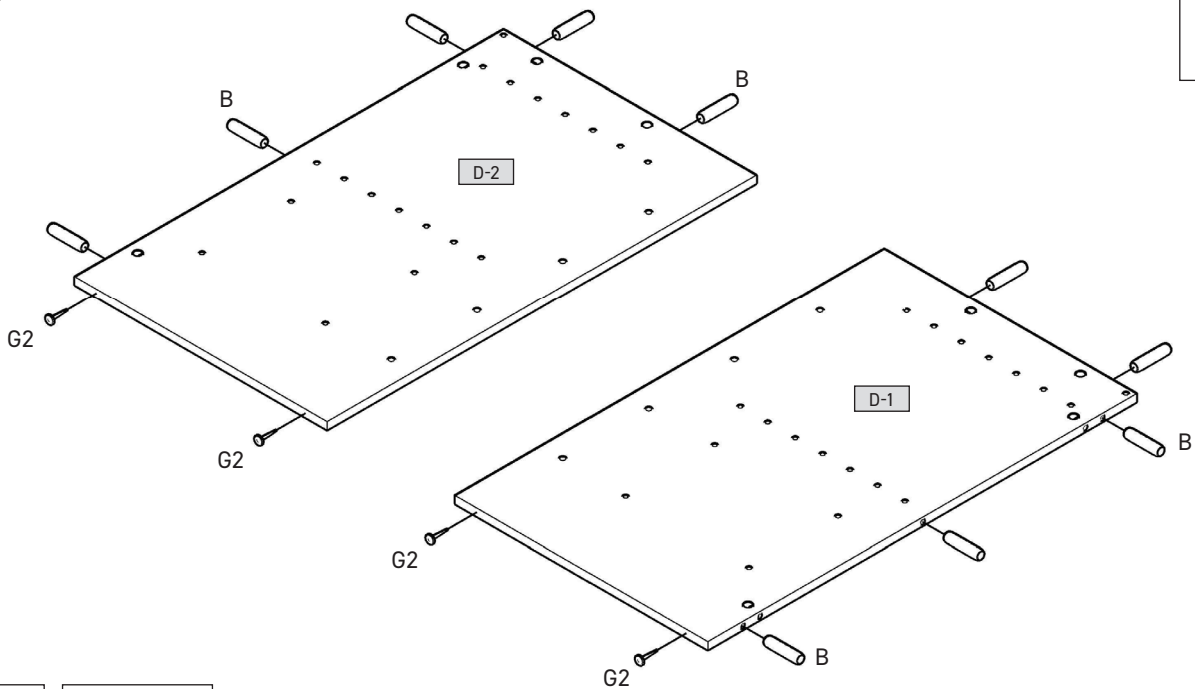
2



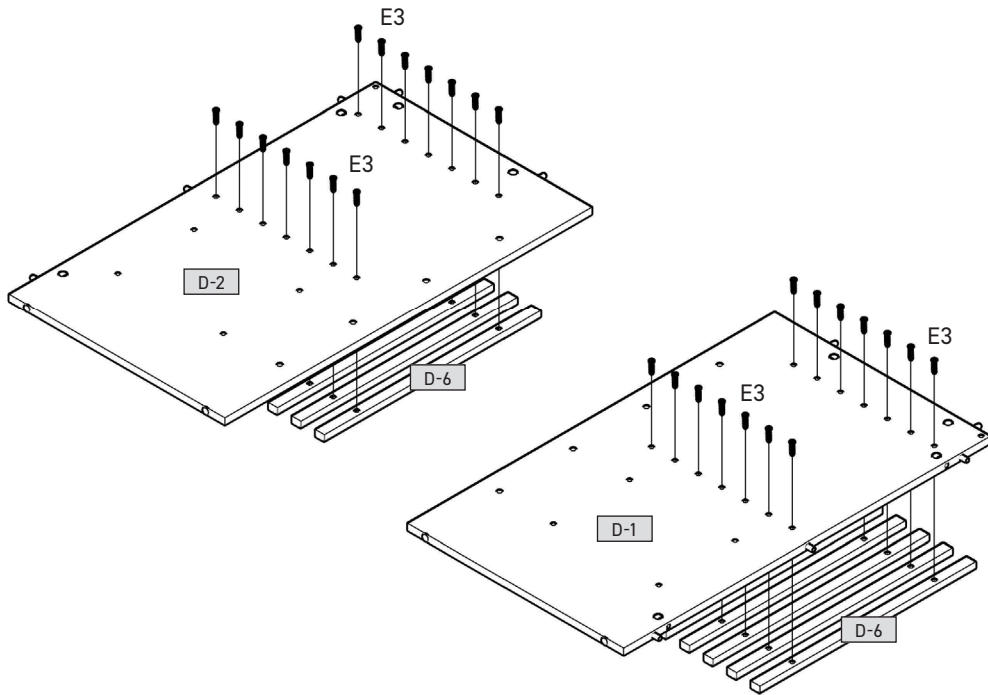
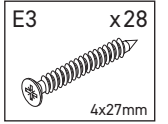
3



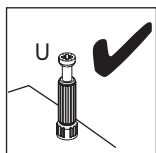
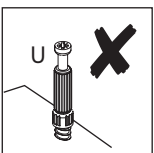
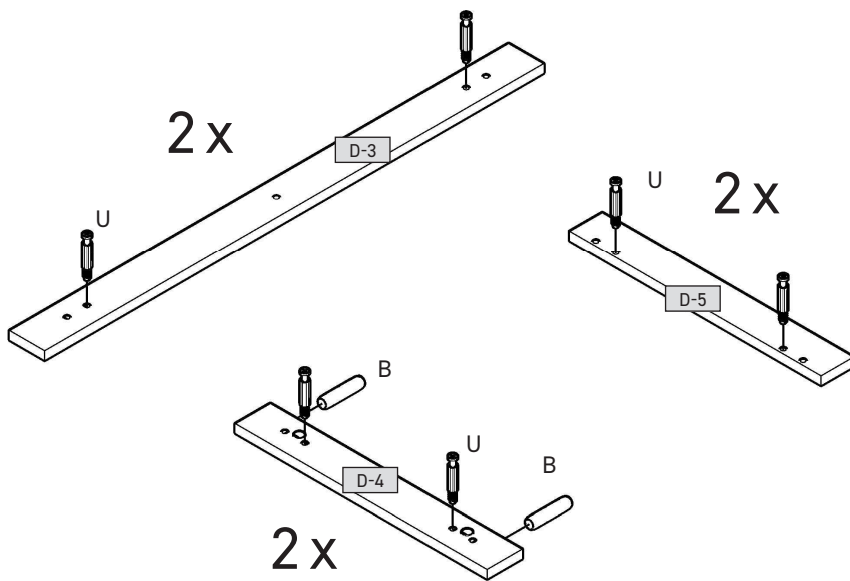
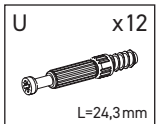
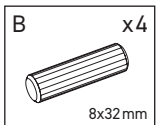
4



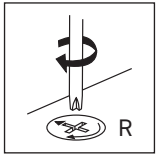
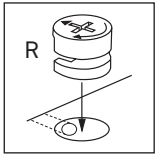
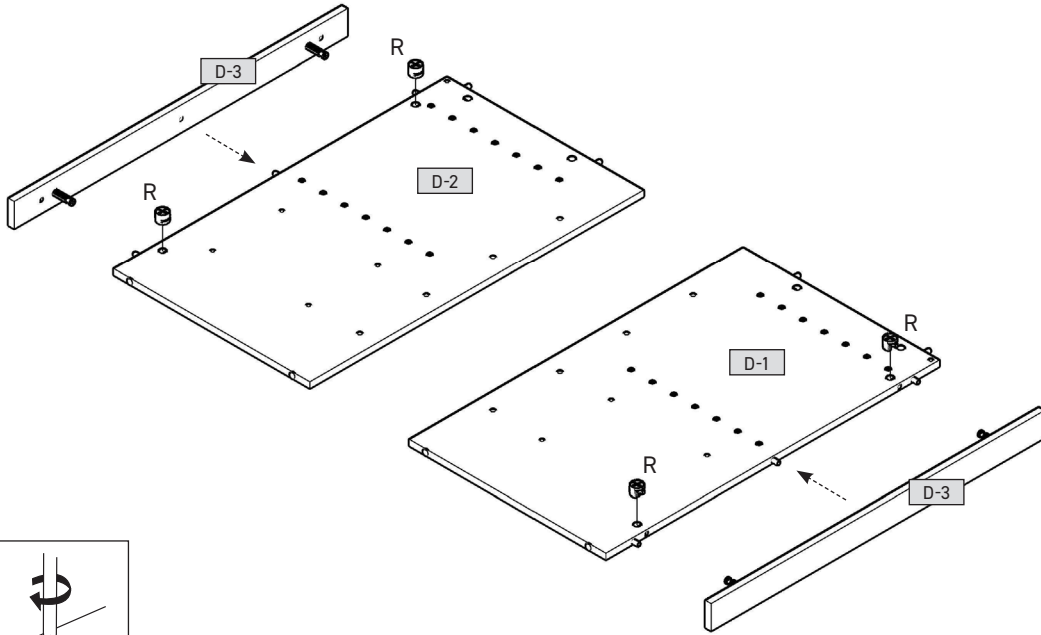
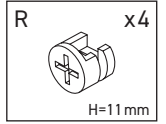
5



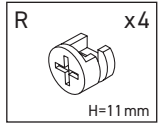
6



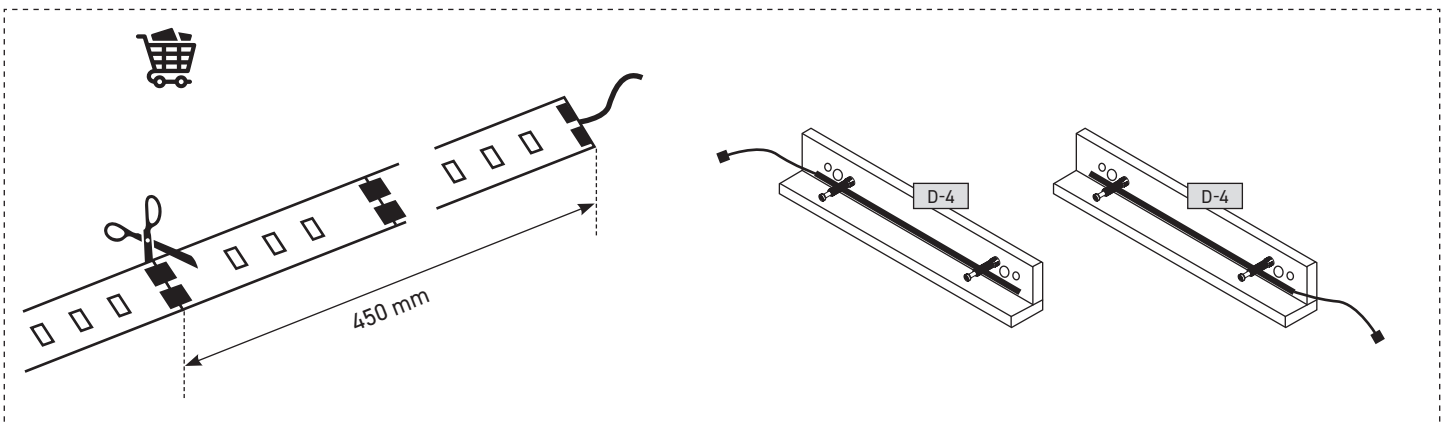
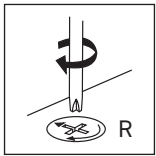
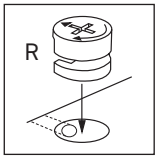
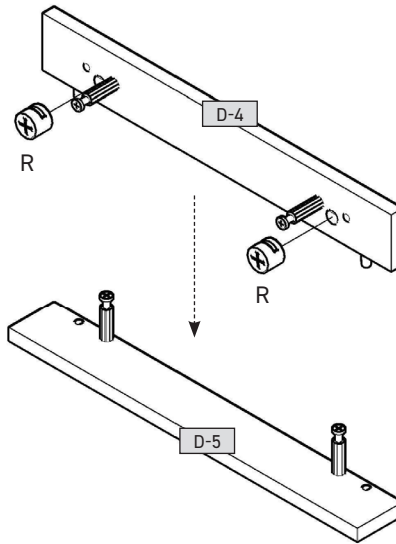
7



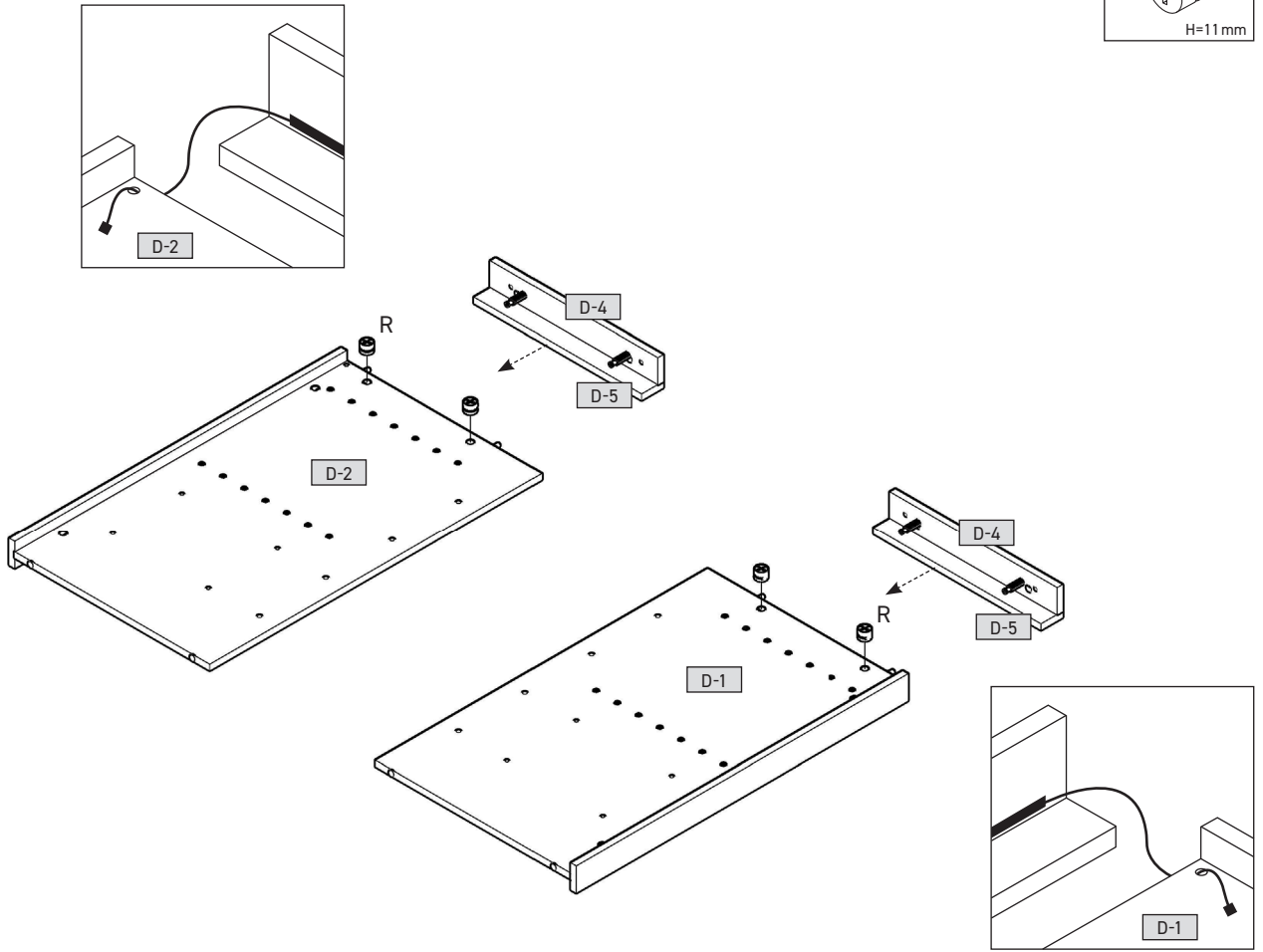
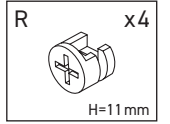
8



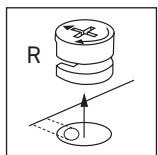
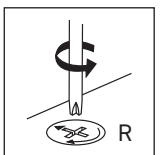
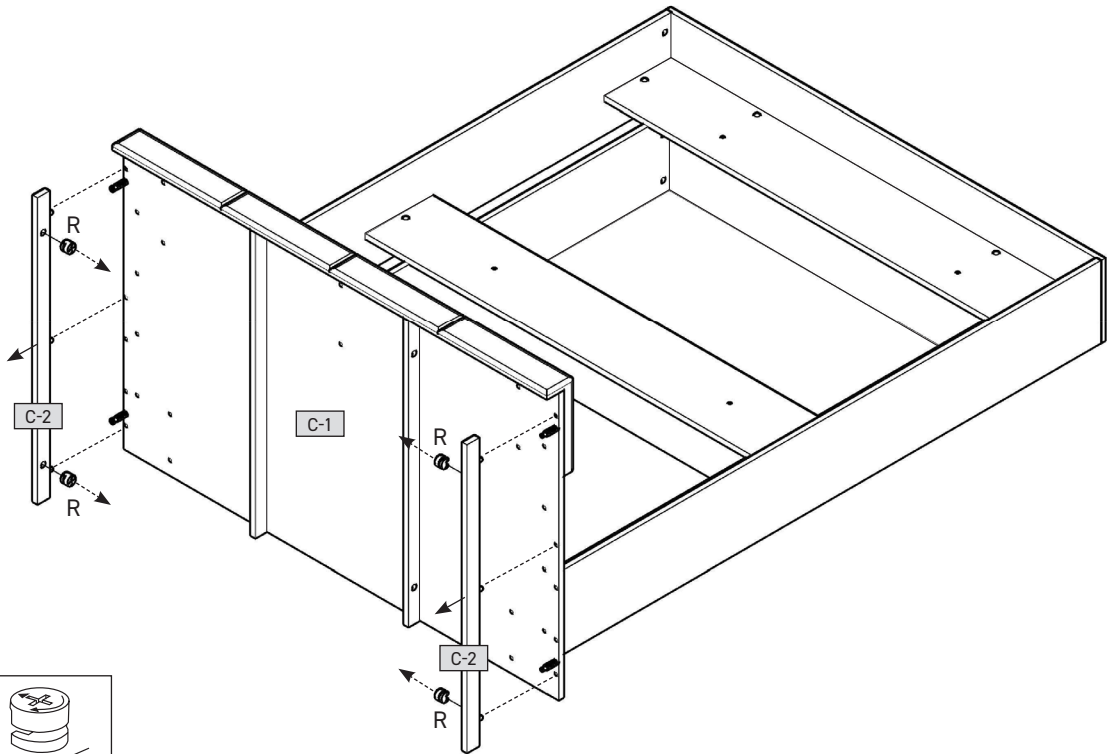
2x



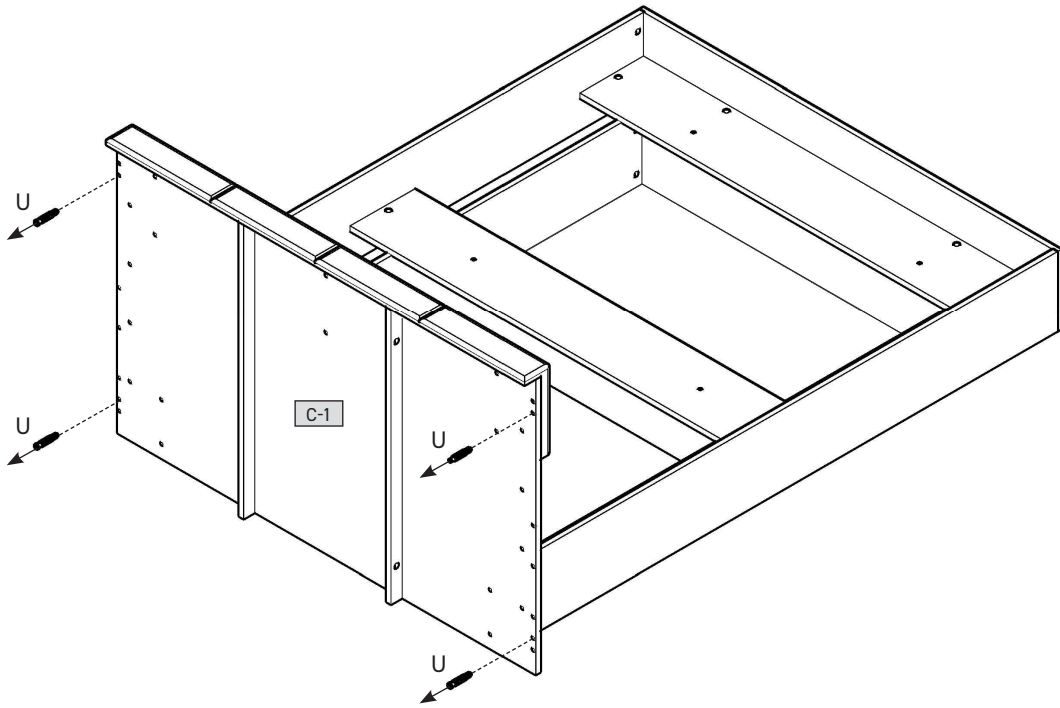
9



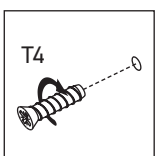
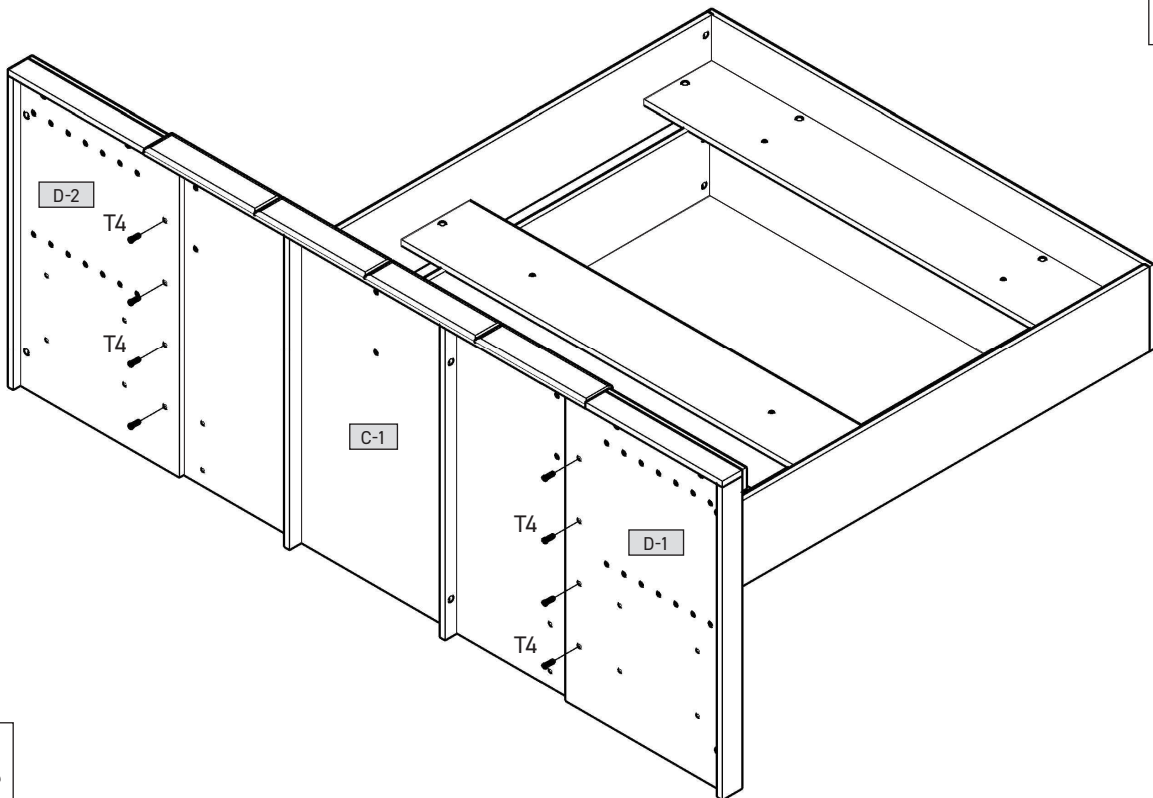
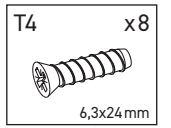
10



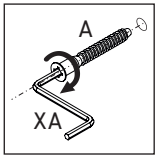
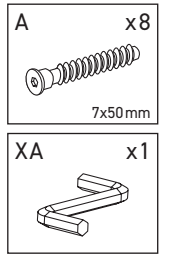
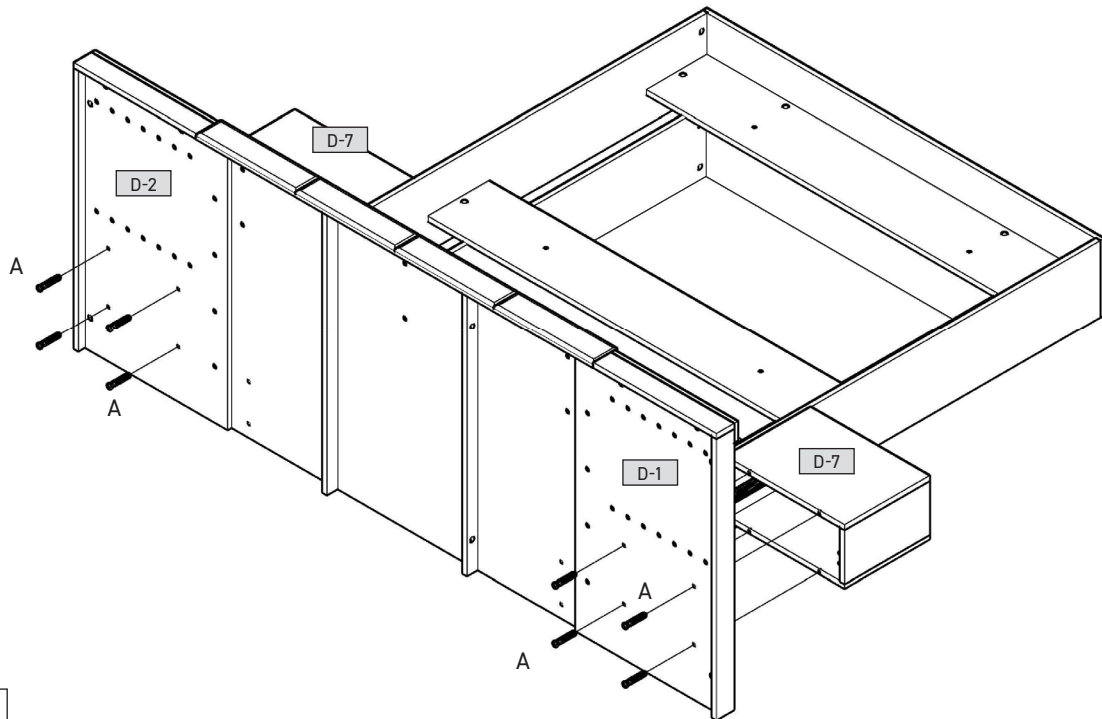
11



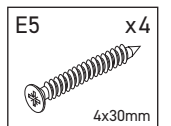
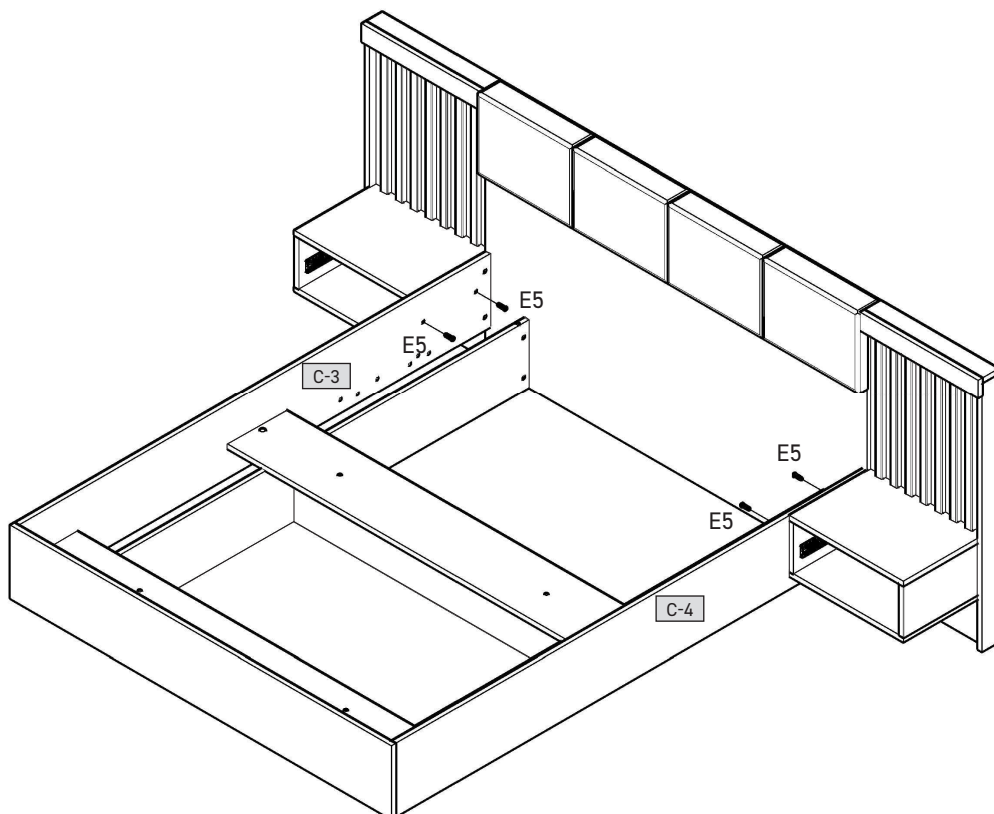
12



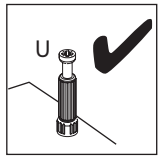
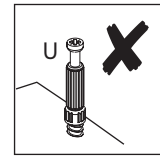
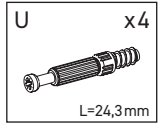
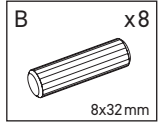
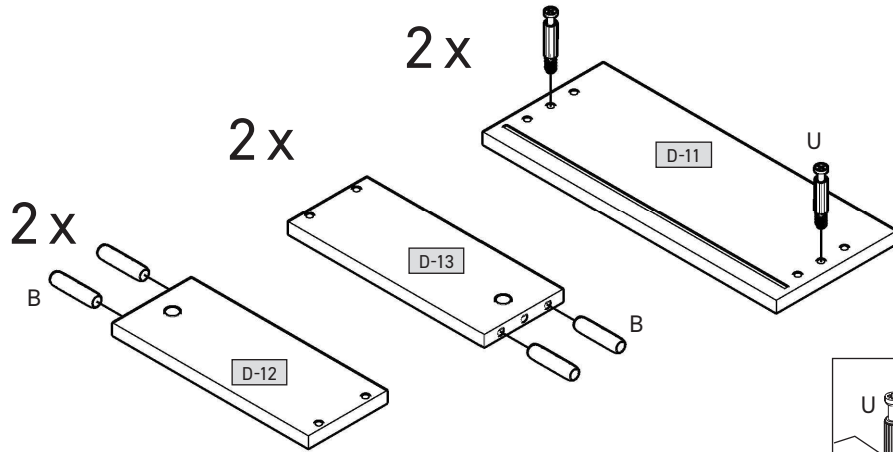
13



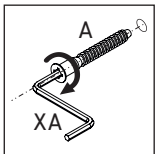
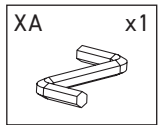
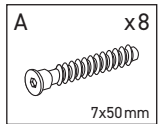
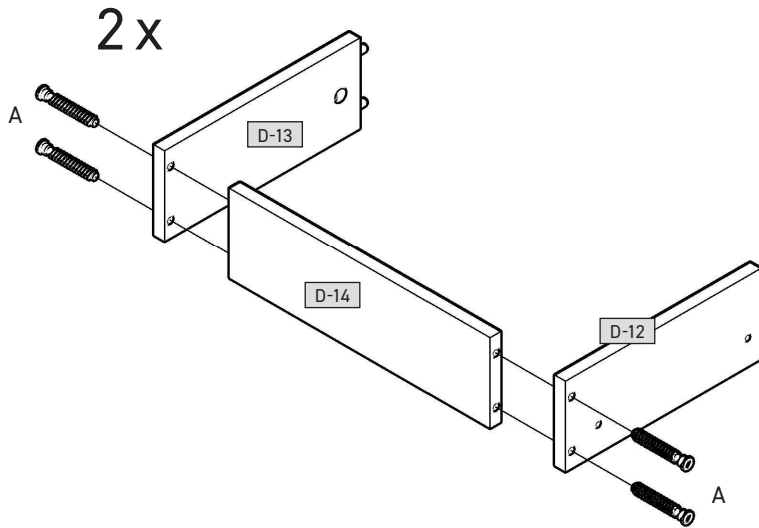
14



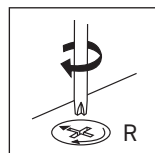
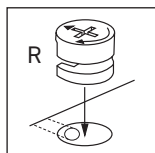
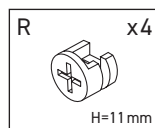
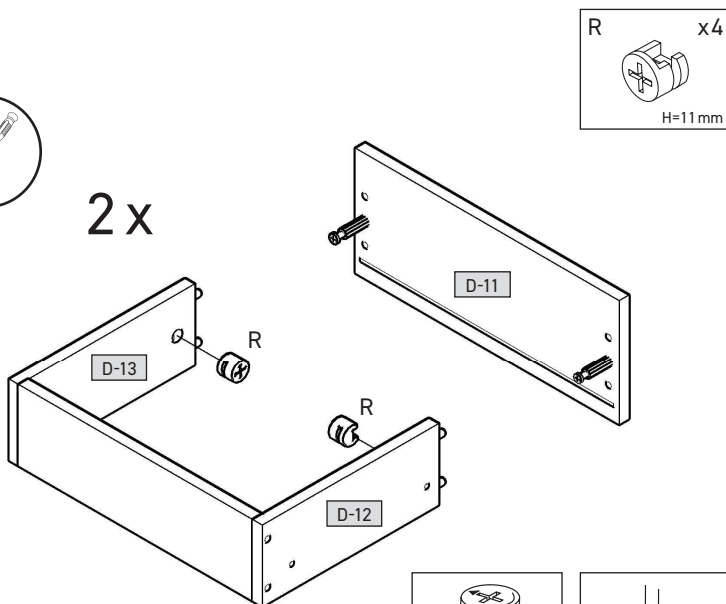
15



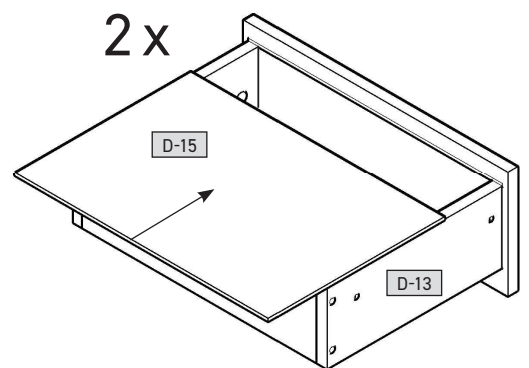
16



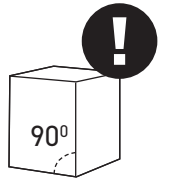
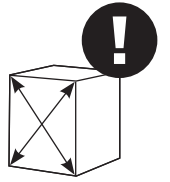
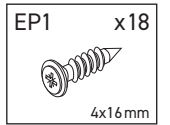
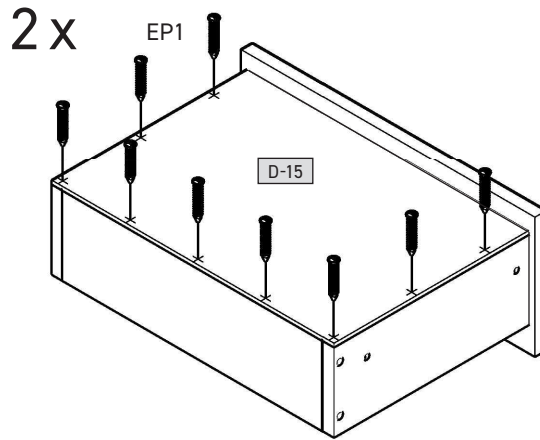
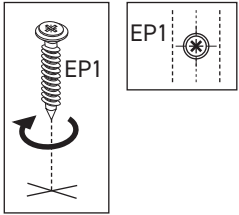
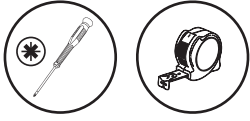
17



18



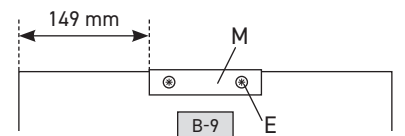
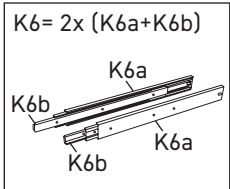
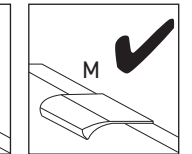
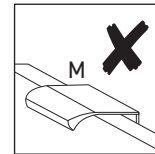
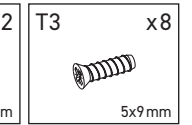
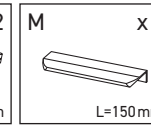
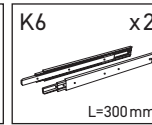
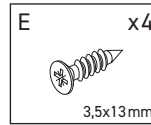
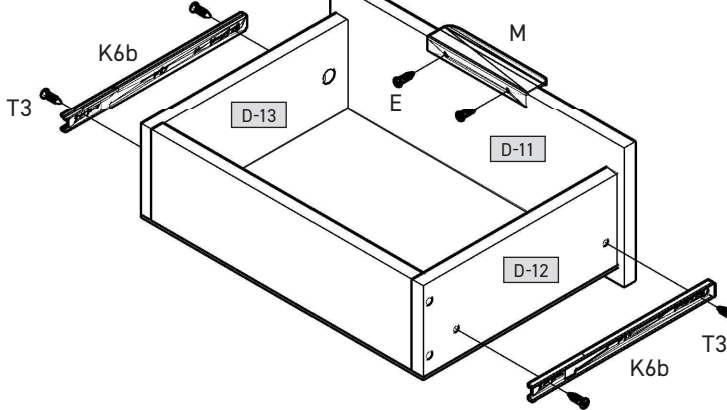
19



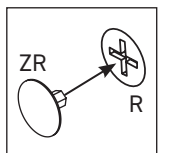
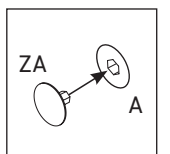
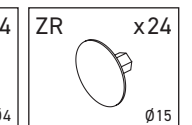
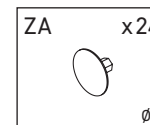
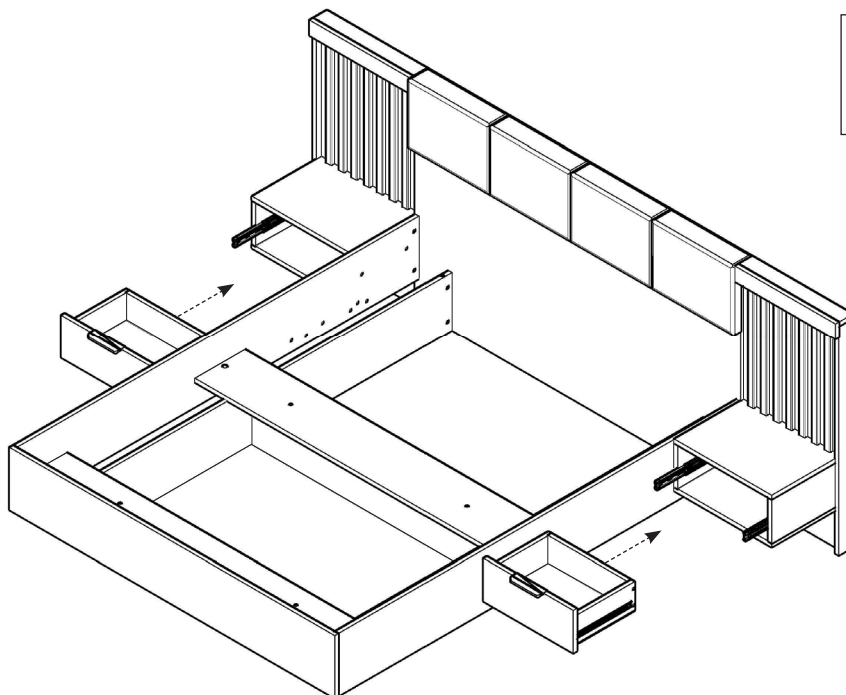
20

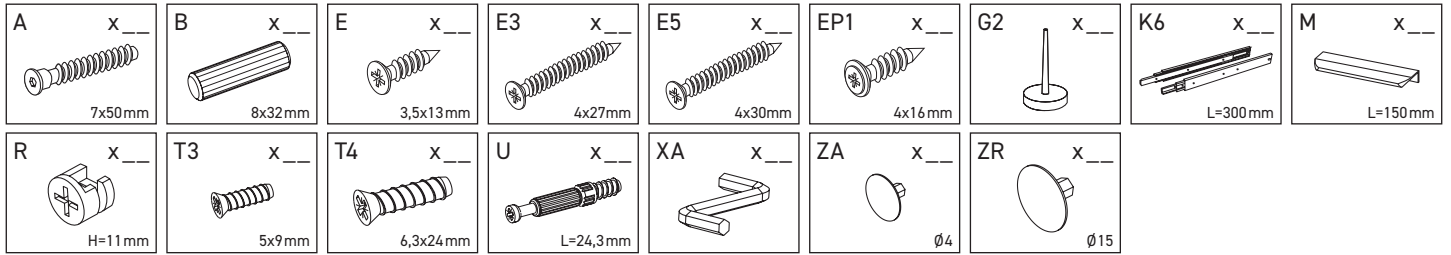


2 x



21





D-1	568	1000	16	x 1	1/1
D-2	568	1000	16	x 1	1/1
D-3	1000	70	16	x 2	1/1
D-4	504	71	16	x 2	1/1
D-5	504	65	16	x 2	1/1
D-6	584	24	16	x 14	1/1
D-7	488	348	16	x 2	1/1
D-8	488	348	16	x 2	1/1
D-9	192	347	16	x 2	1/1
D-10	192	347	16	x 2	1/1
D-11	449	185	16	x 2	1/1
D-12	300	120	16	x 2	1/1
D-13	300	120	16	x 2	1/1
D-14	399	120	16	x 2	1/1
D-15	429	306	3	x 2	1/1

