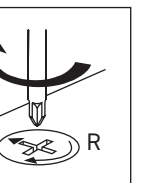
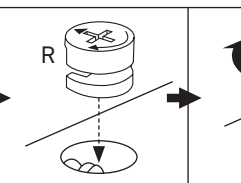
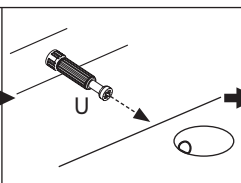
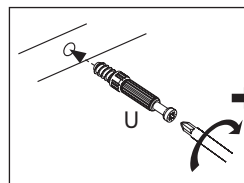
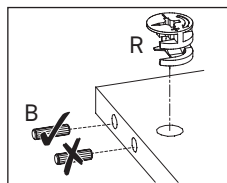
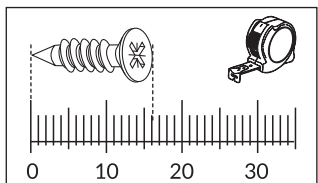
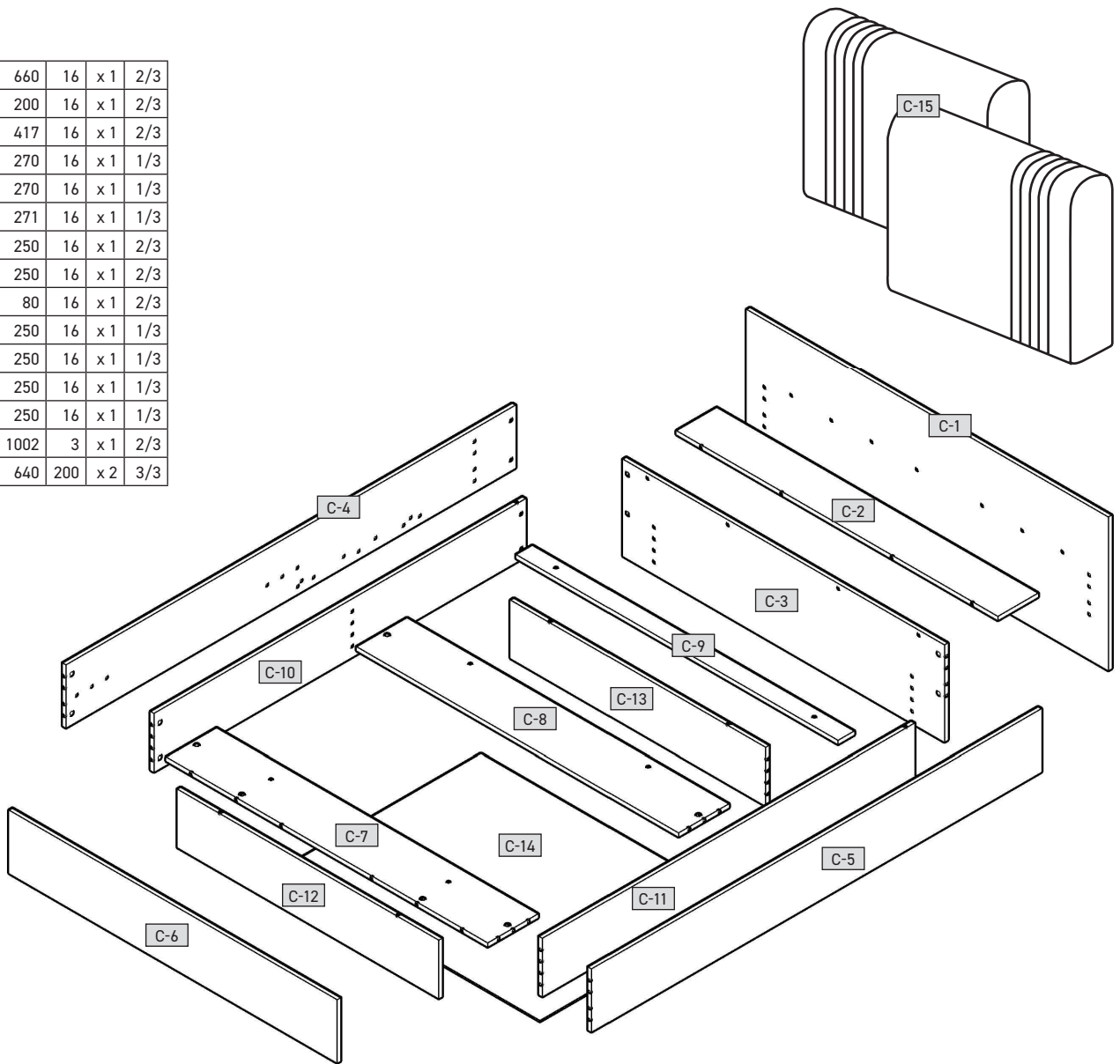
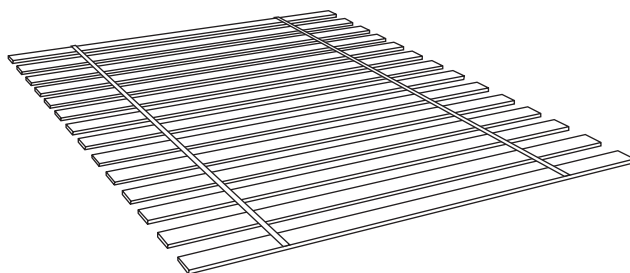
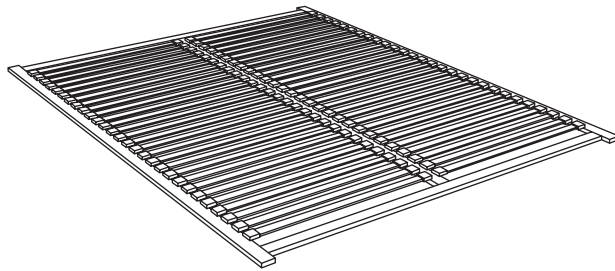
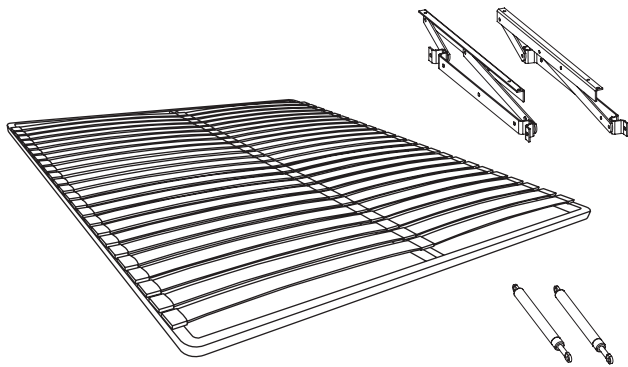
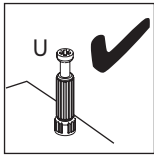
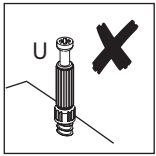
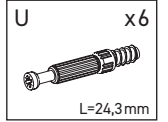
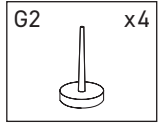
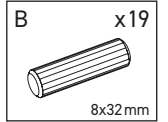
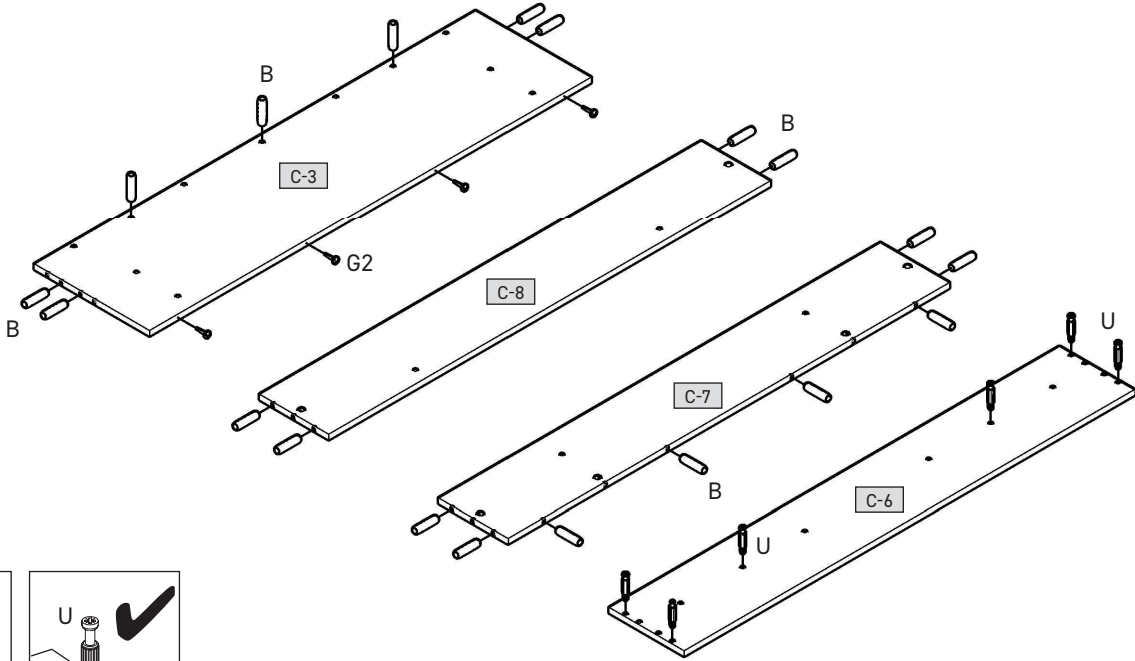


C-1	1800	660	16	x 1	2/3
C-2	1600	200	16	x 1	2/3
C-3	1600	417	16	x 1	2/3
C-4	2238	270	16	x 1	1/3
C-5	2238	270	16	x 1	1/3
C-6	1633	271	16	x 1	1/3
C-7	1600	250	16	x 1	2/3
C-8	1600	250	16	x 1	2/3
C-9	1600	80	16	x 1	2/3
C-10	1850	250	16	x 1	1/3
C-11	1850	250	16	x 1	1/3
C-12	1301	250	16	x 1	1/3
C-13	1268	250	16	x 1	1/3
C-14	1296	1002	3	x 1	2/3
C-15	800	640	200	x 2	3/3

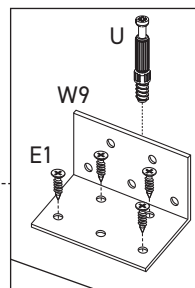
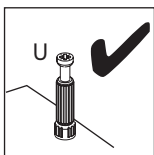
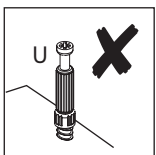
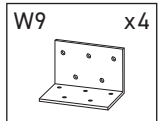
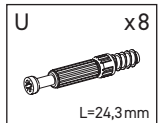
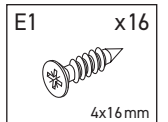
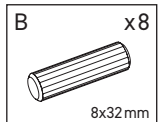
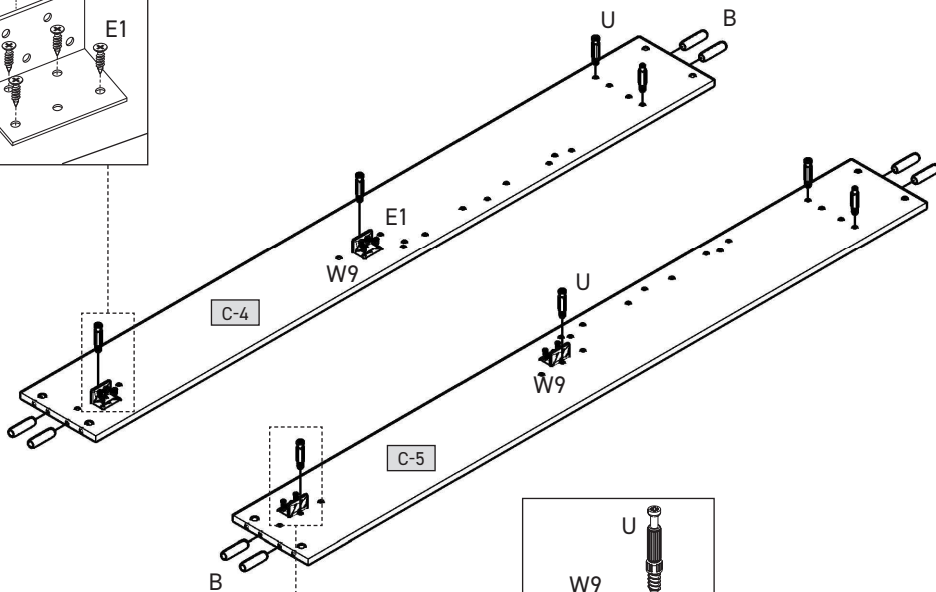
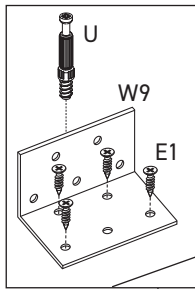




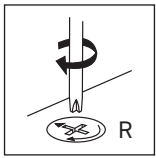
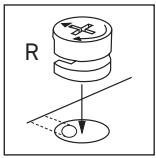
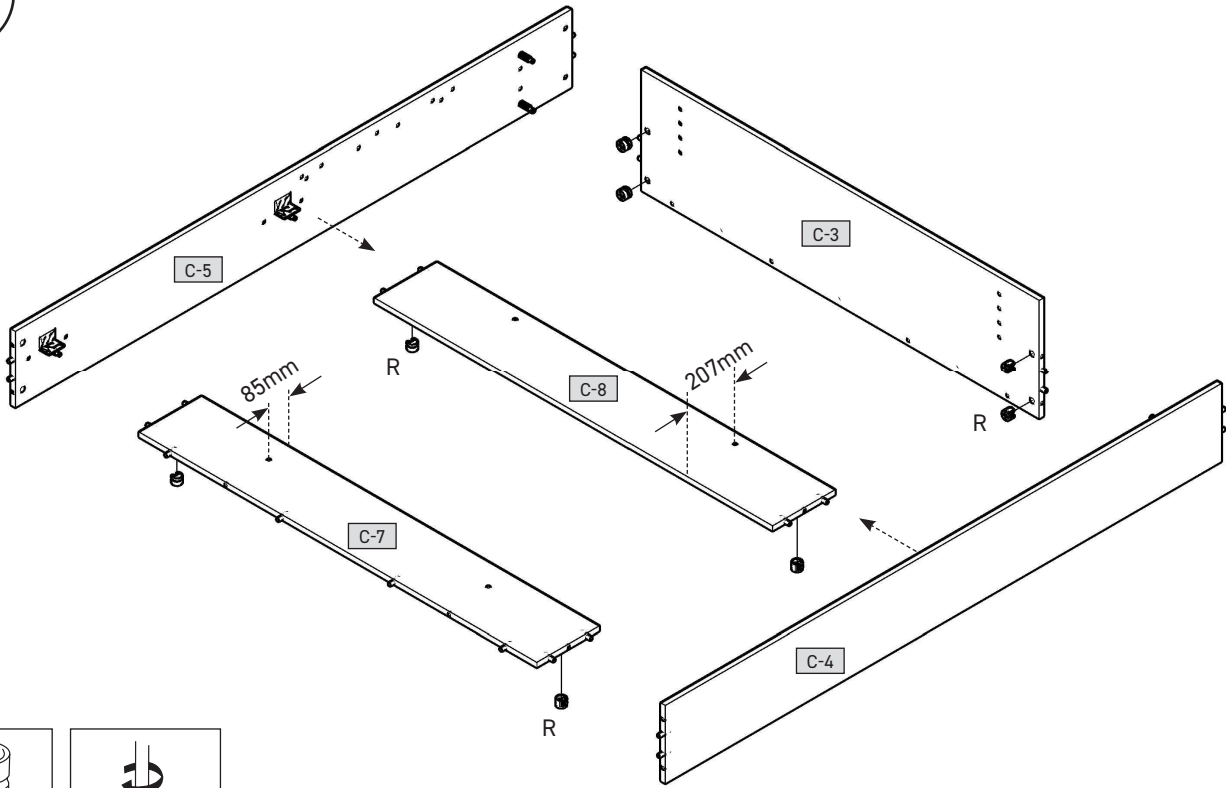
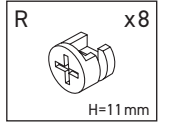
1



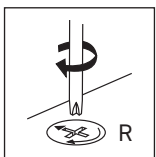
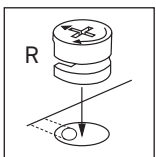
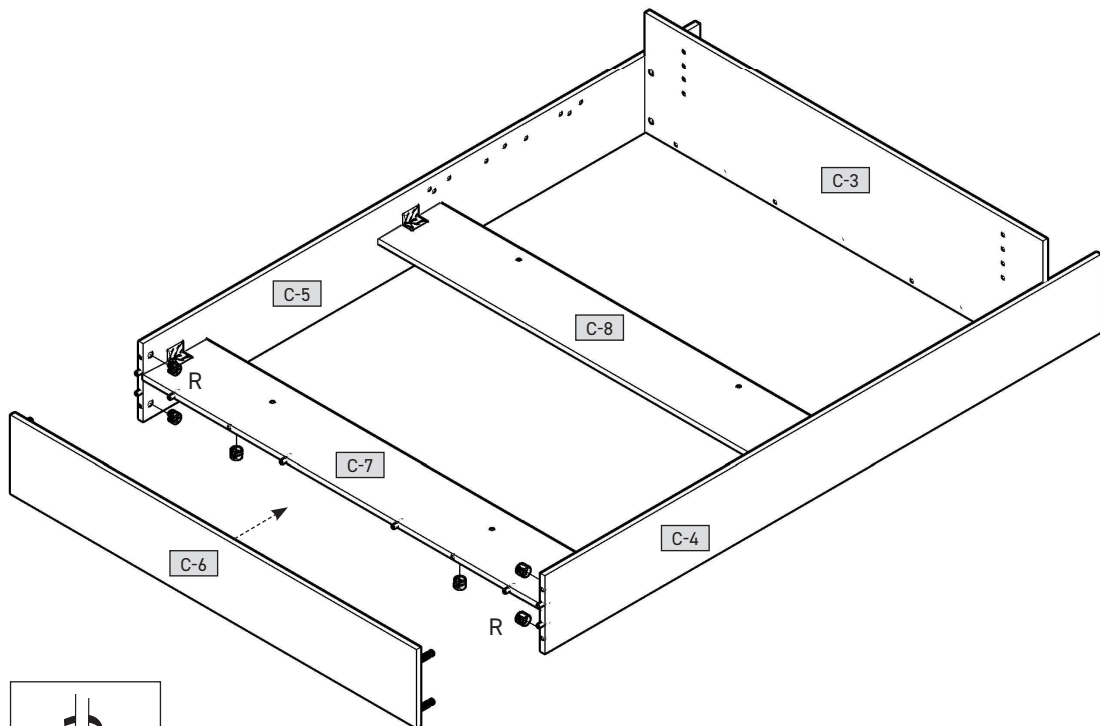
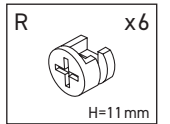
2



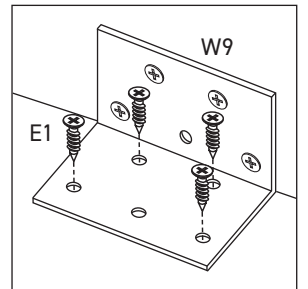
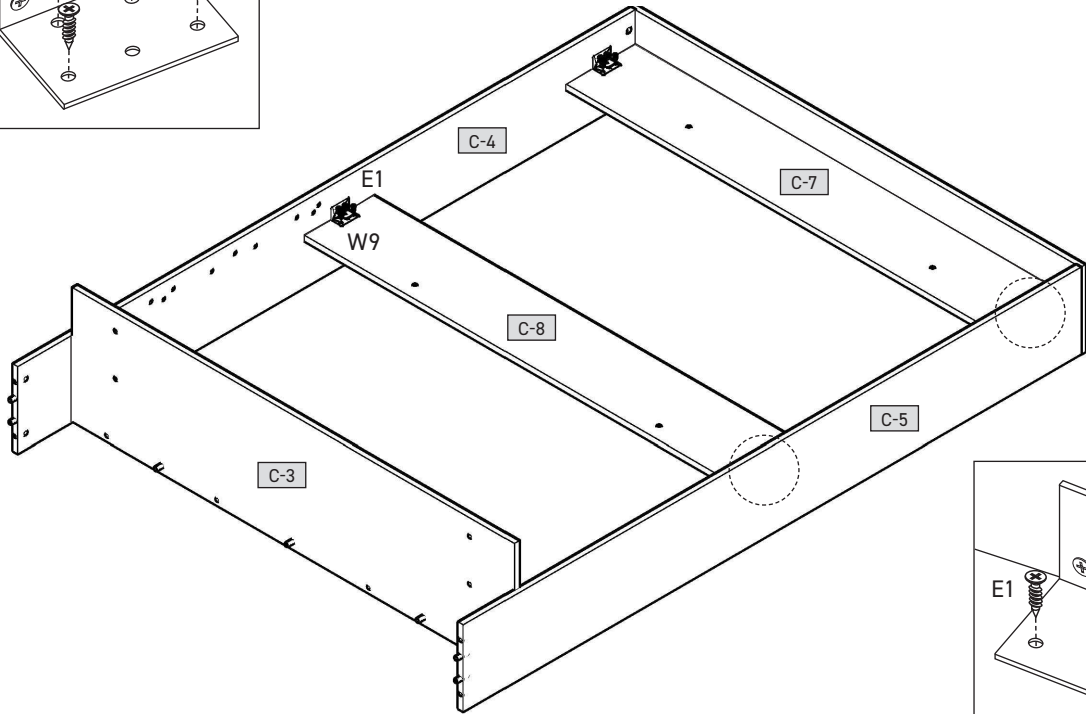
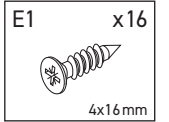
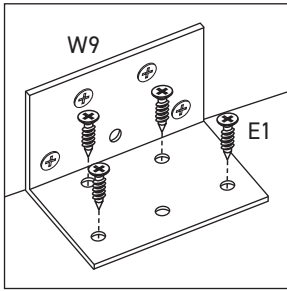
3



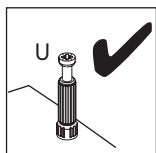
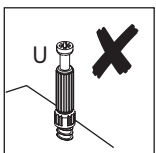
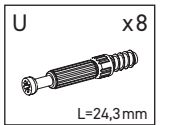
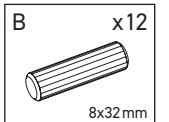
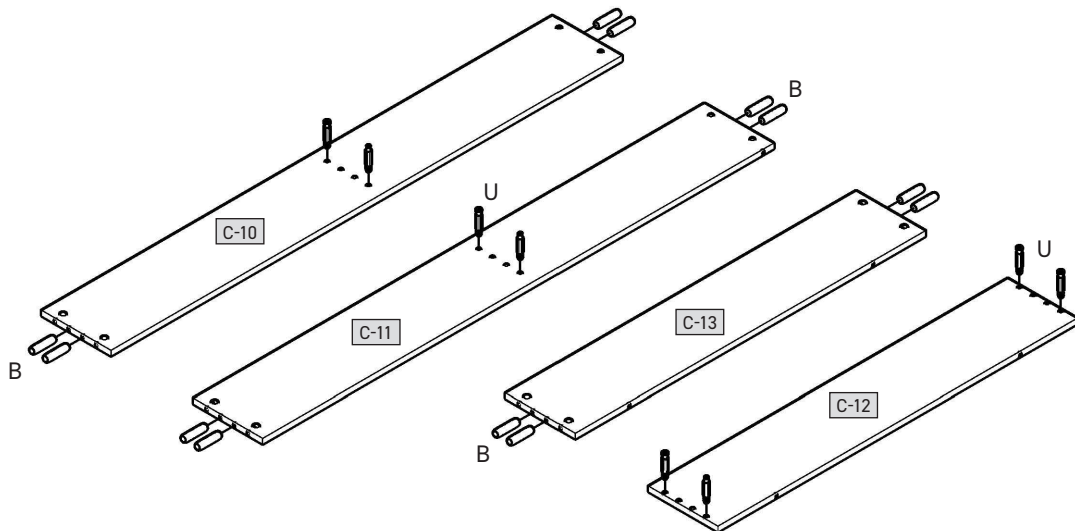
4



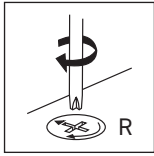
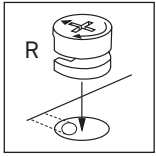
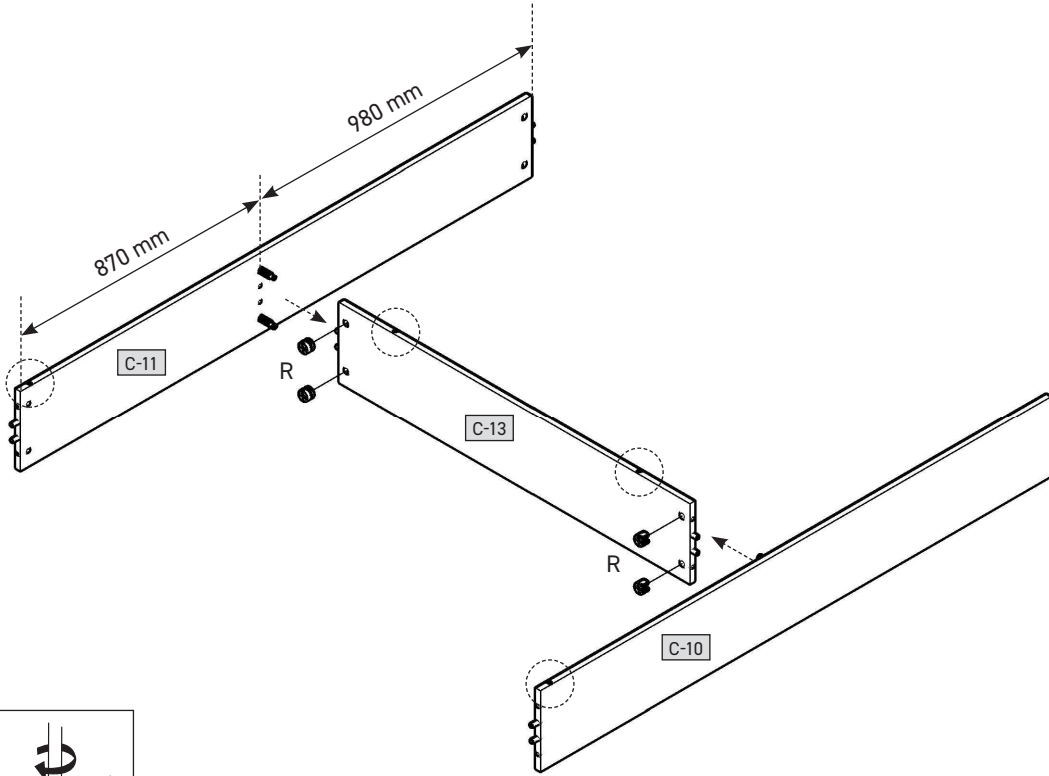
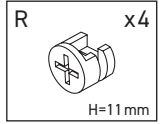
5



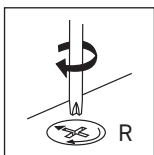
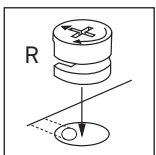
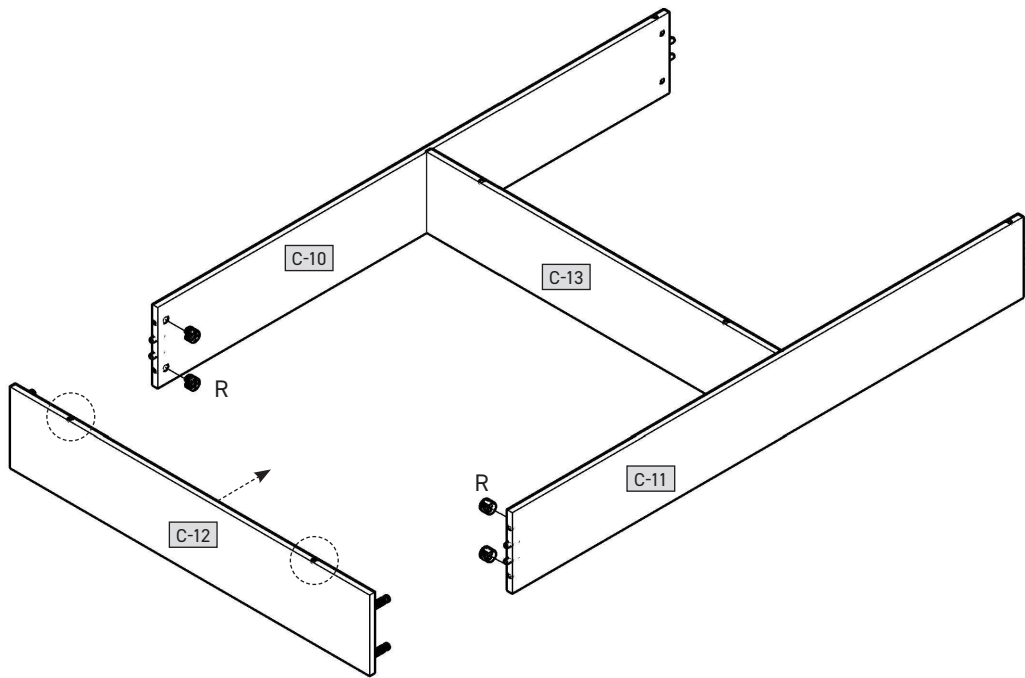
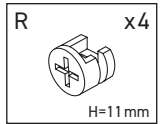
6



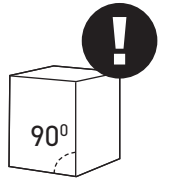
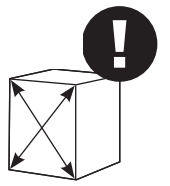
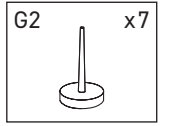
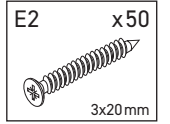
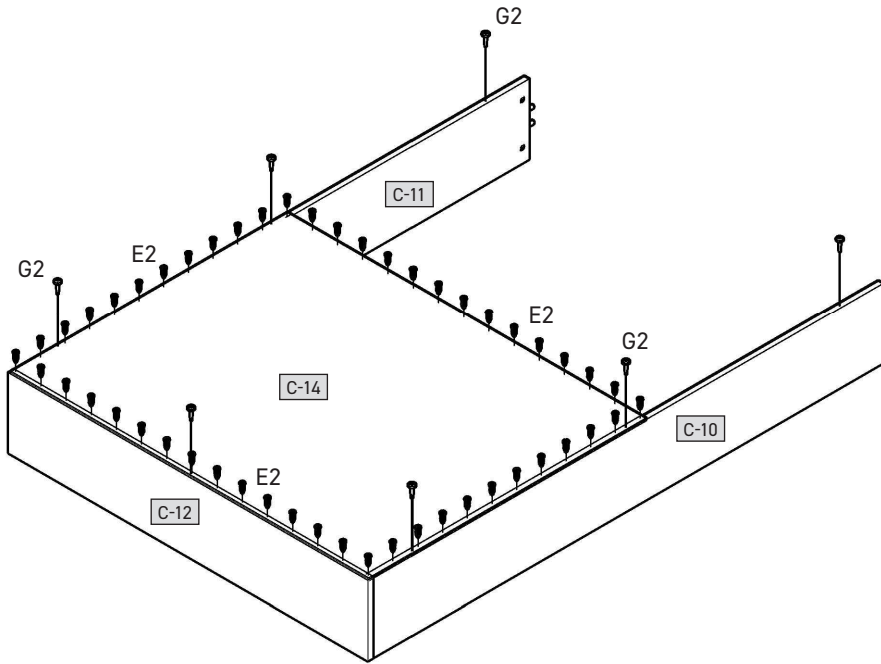
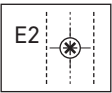
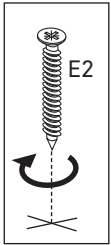
7



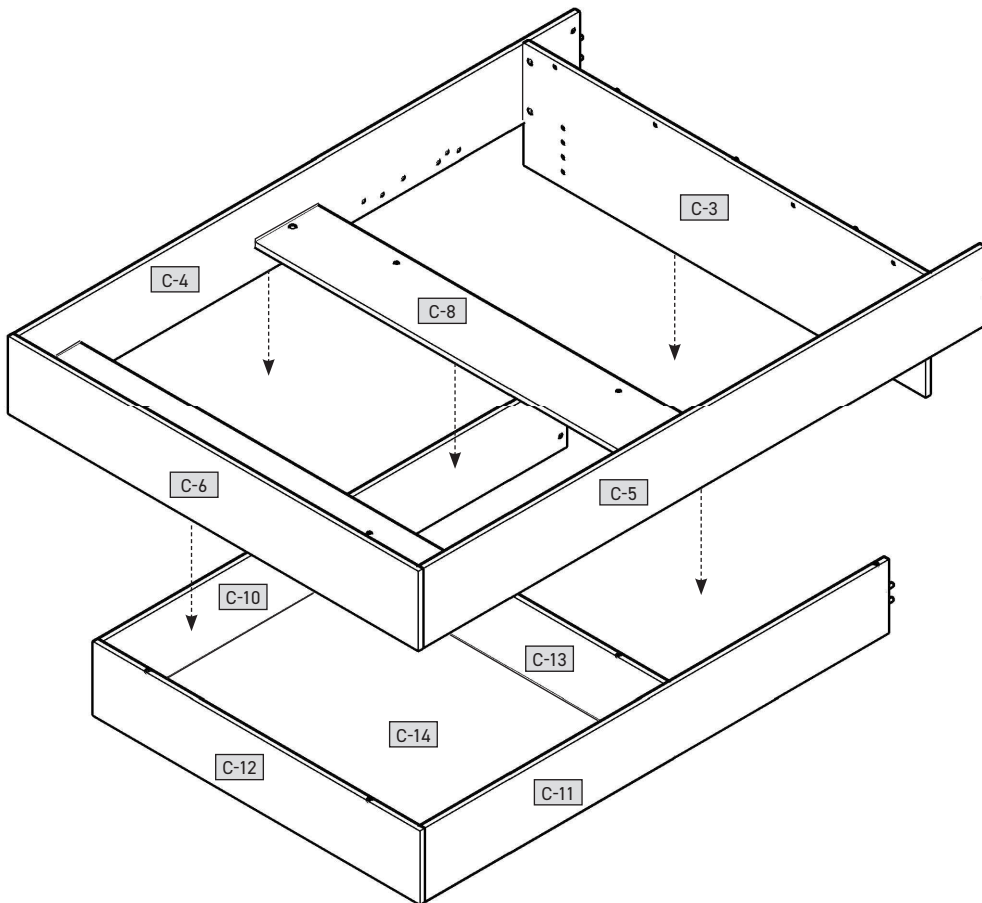
8



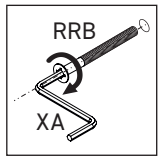
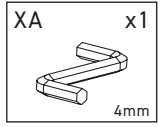
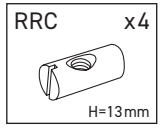
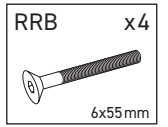
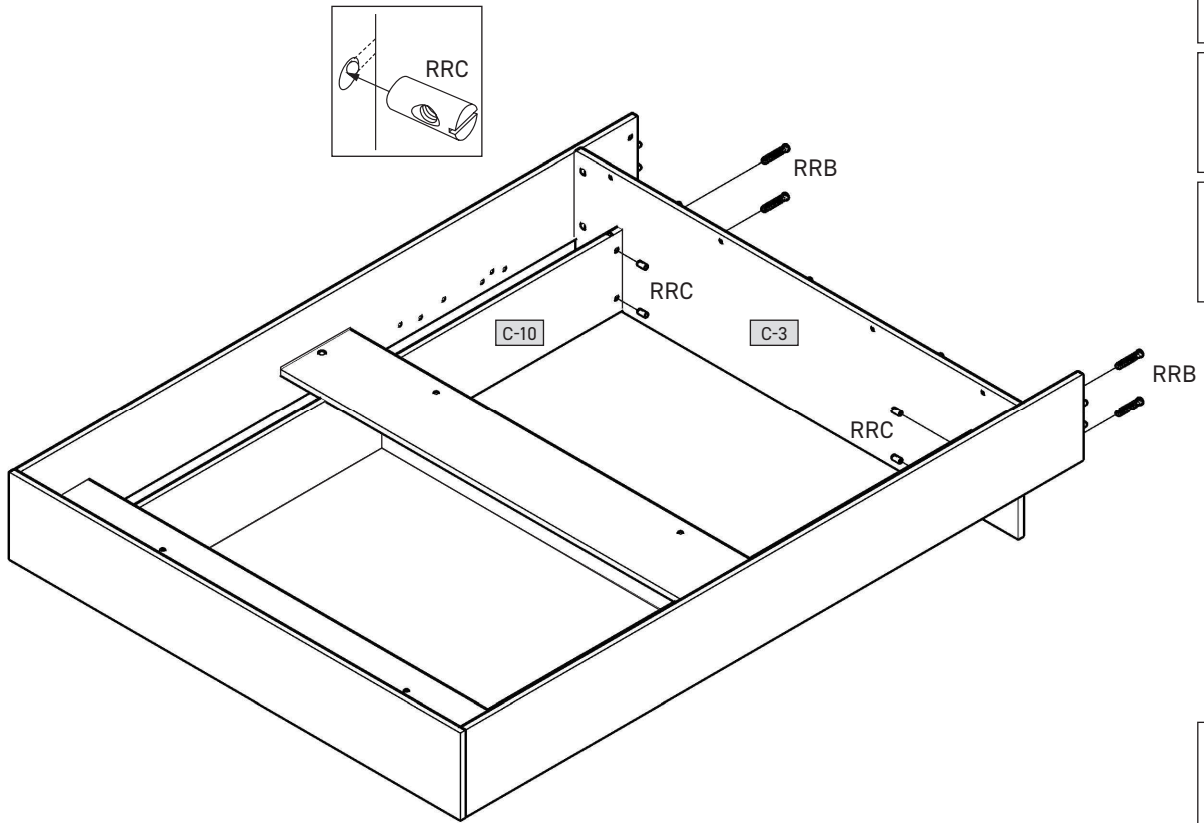
9



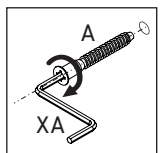
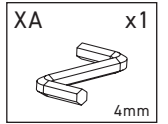
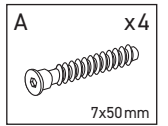
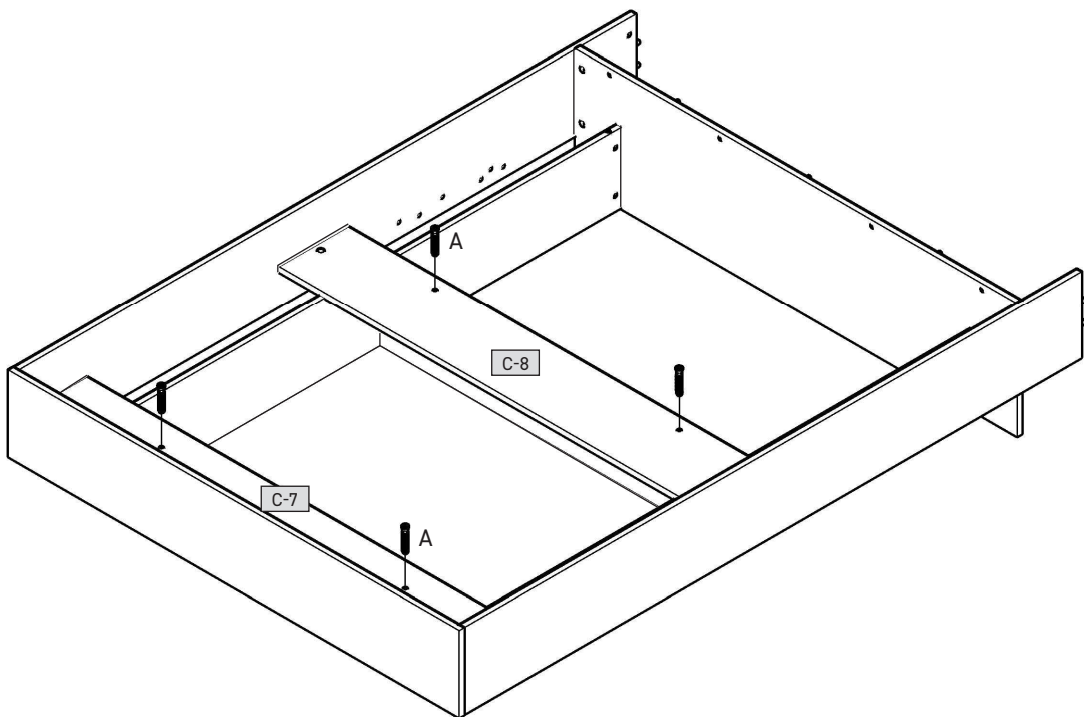
10



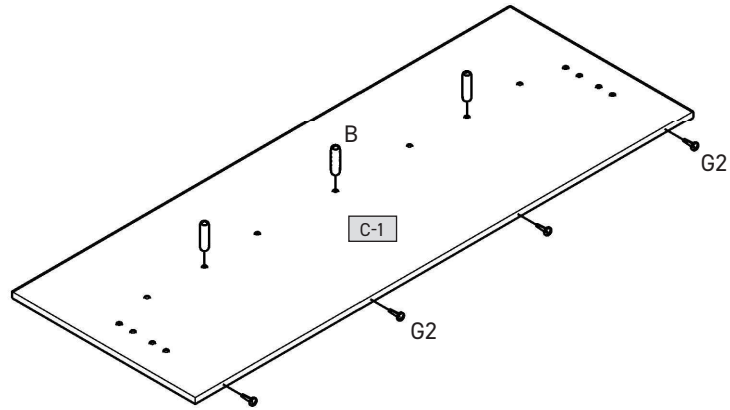
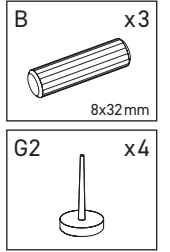
11



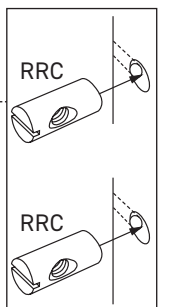
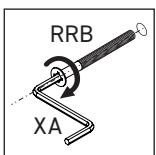
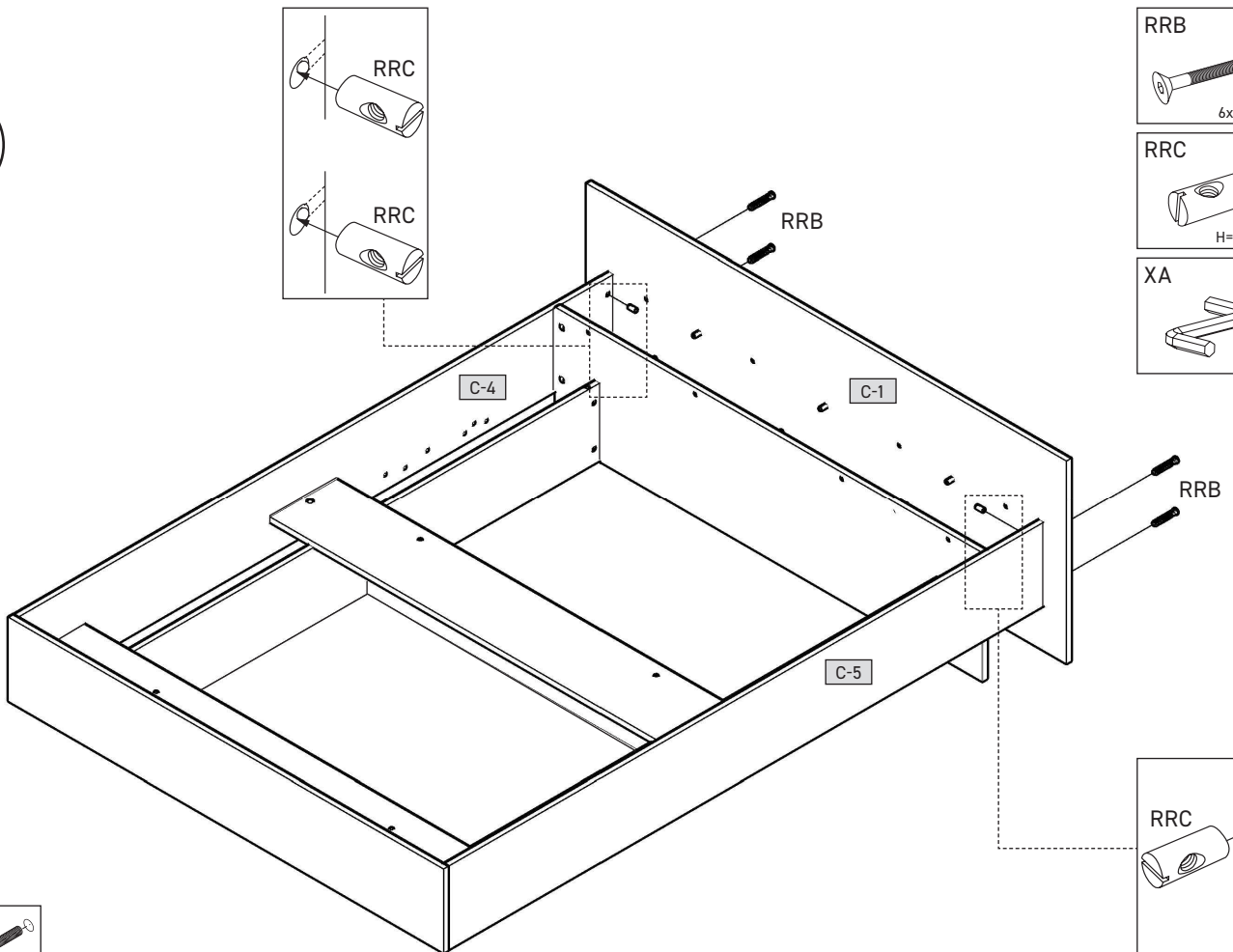
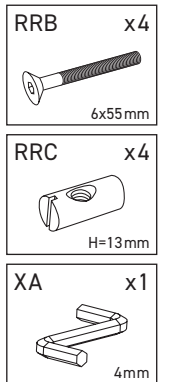
12



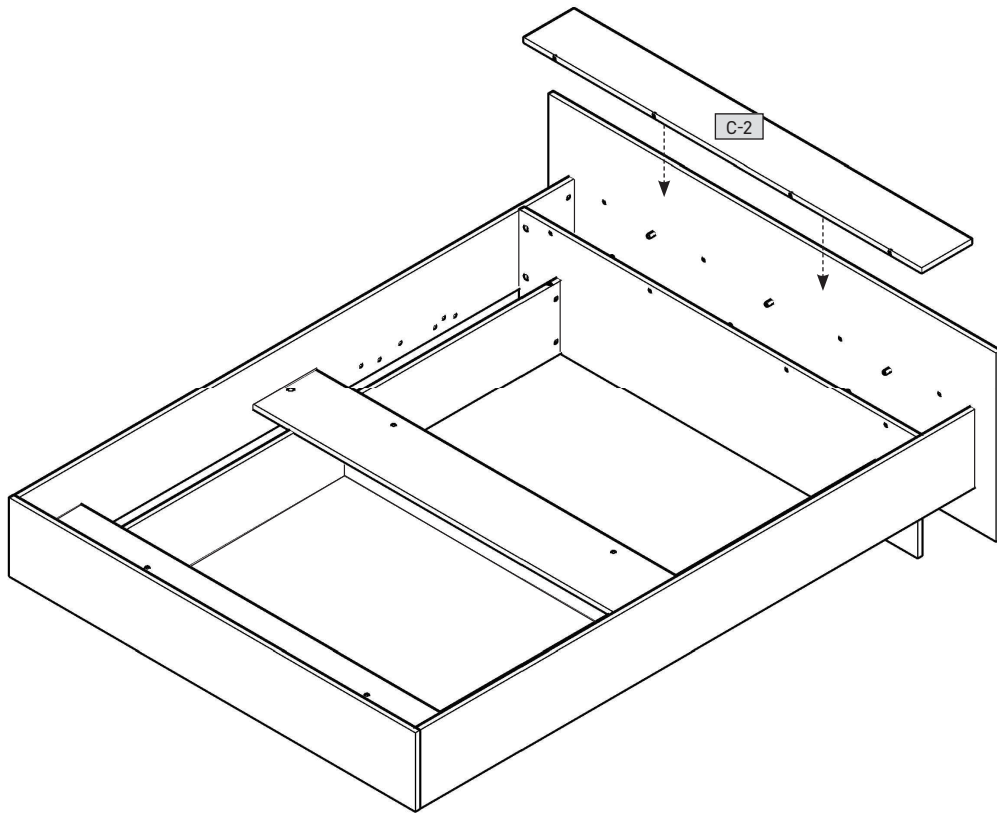
13



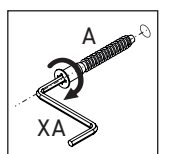
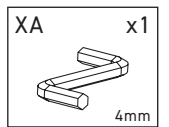
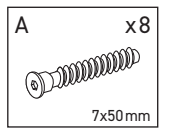
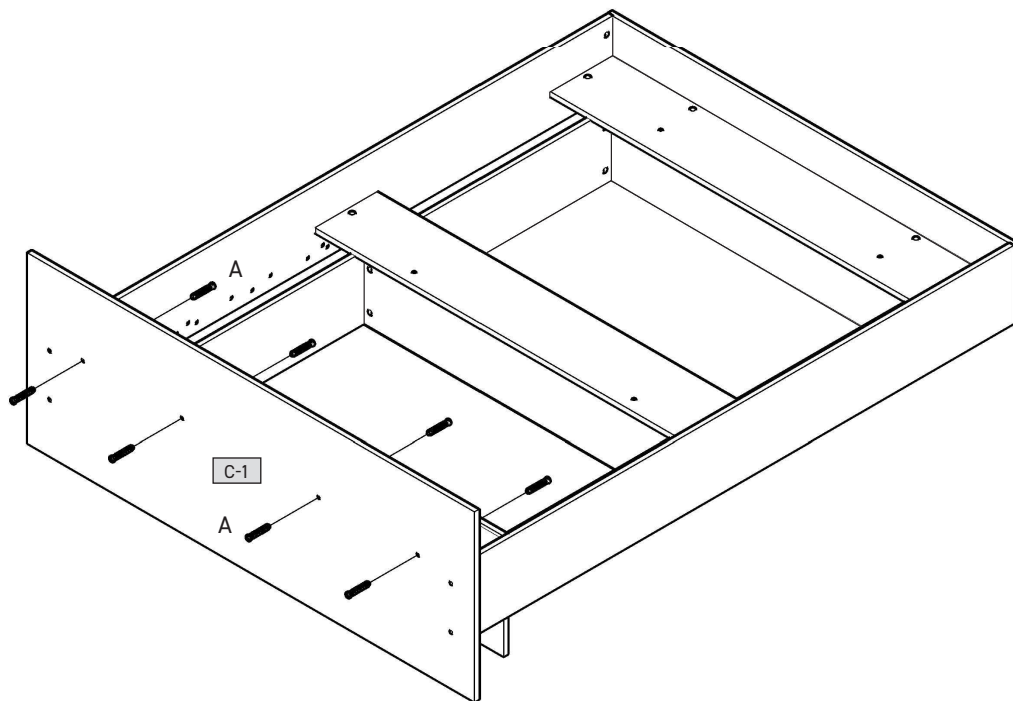
14



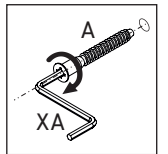
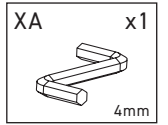
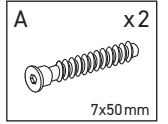
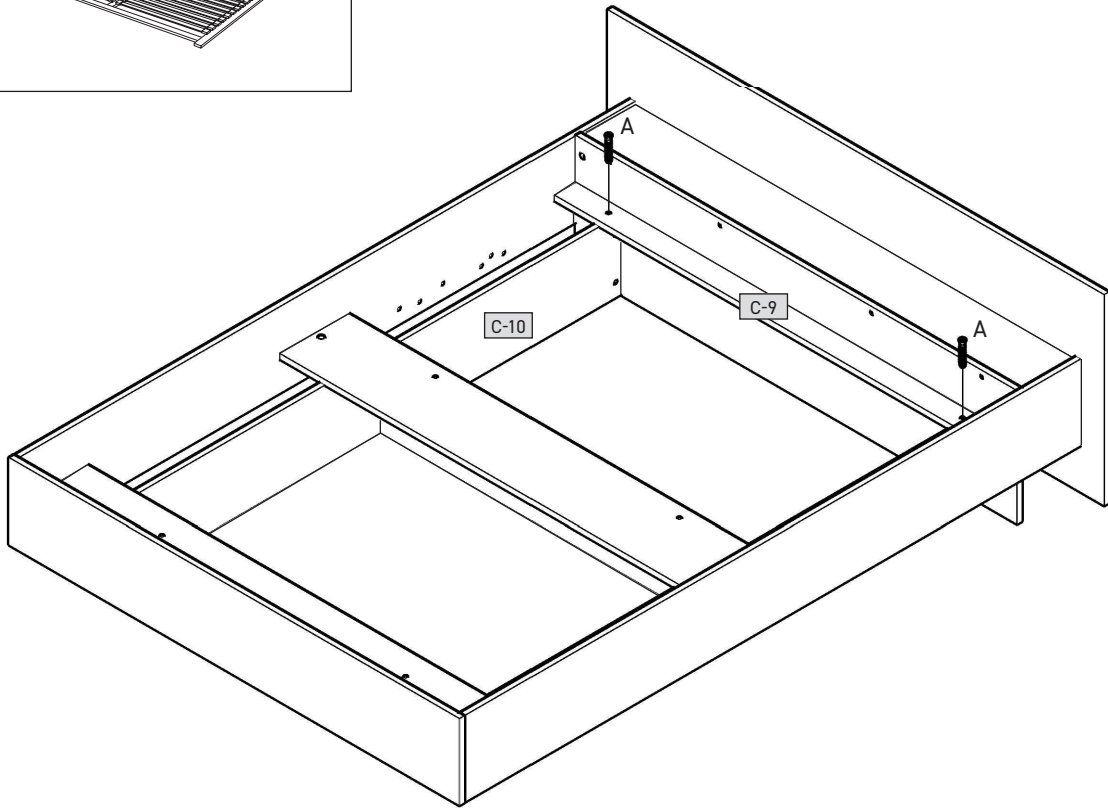
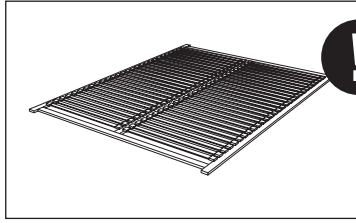
15



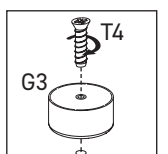
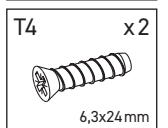
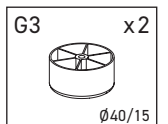
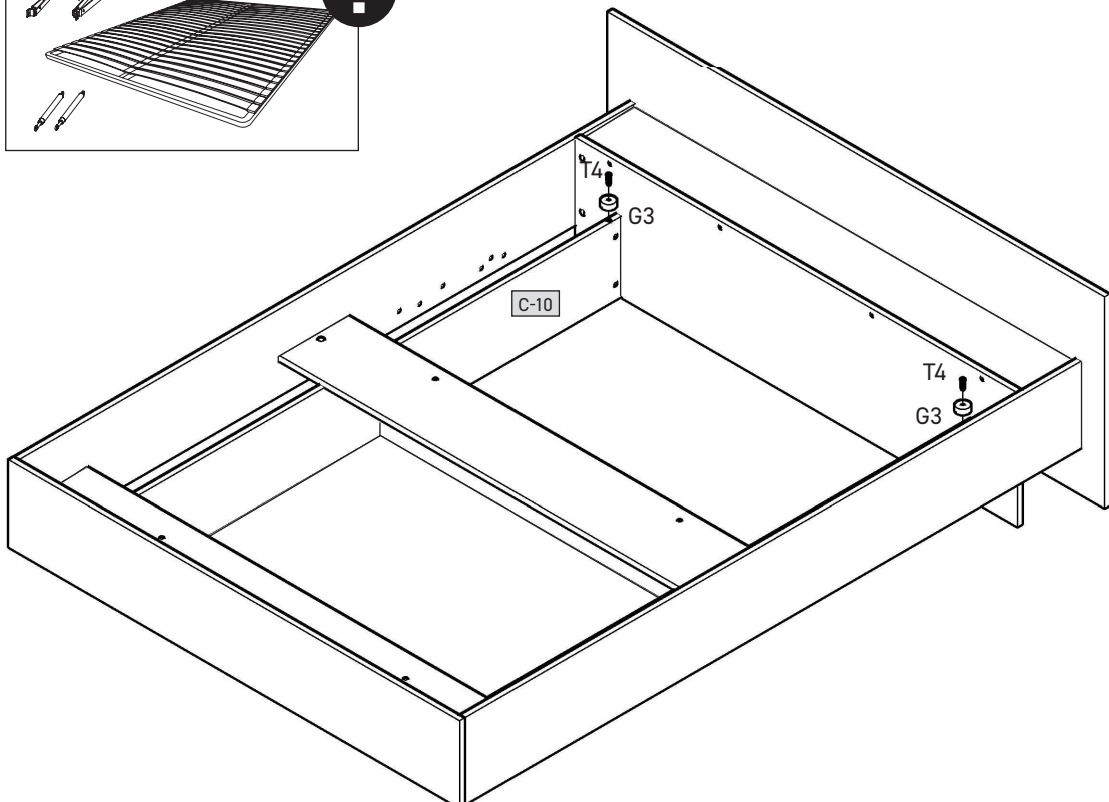
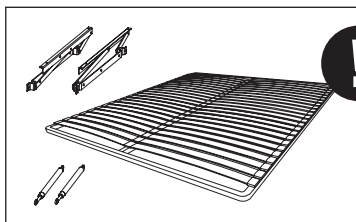
16



17

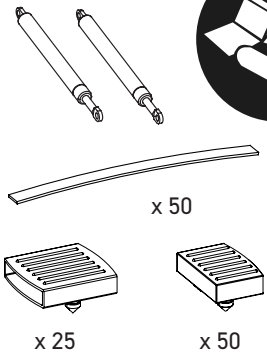
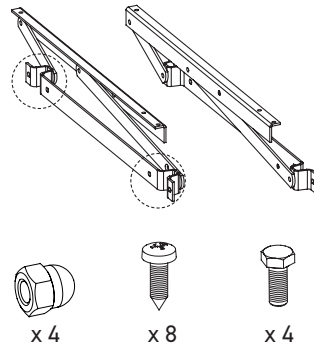
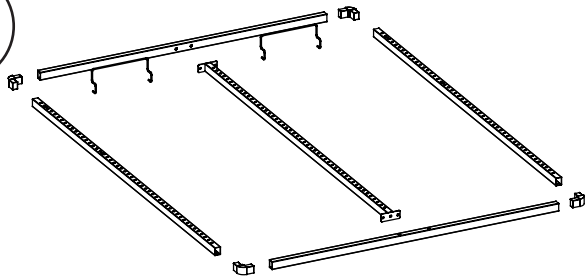


17

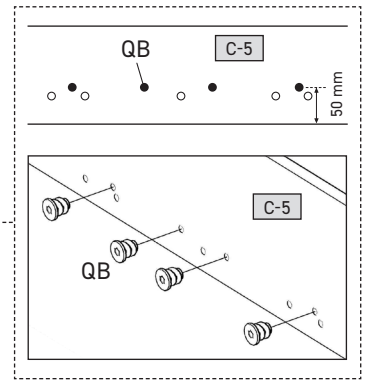
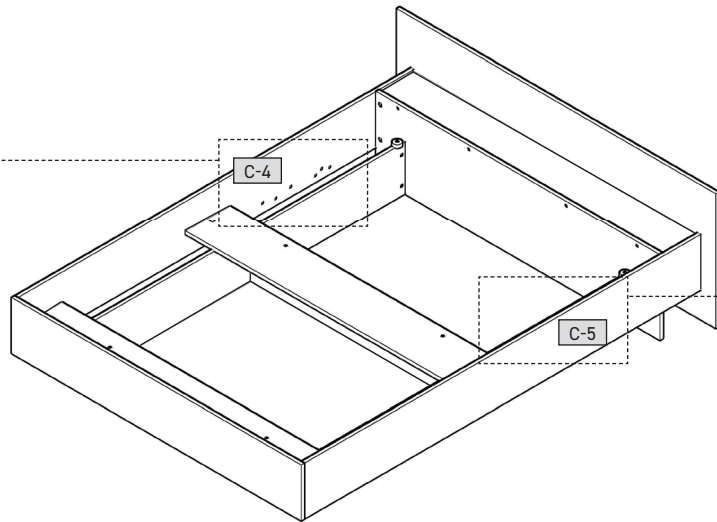
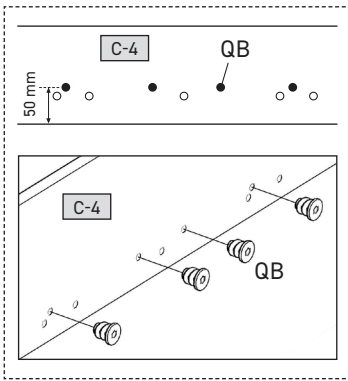
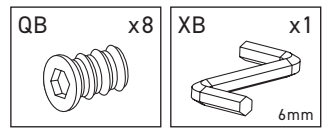
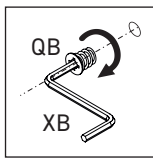


18

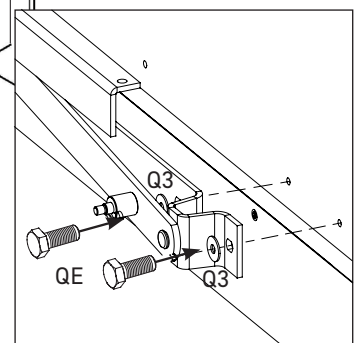
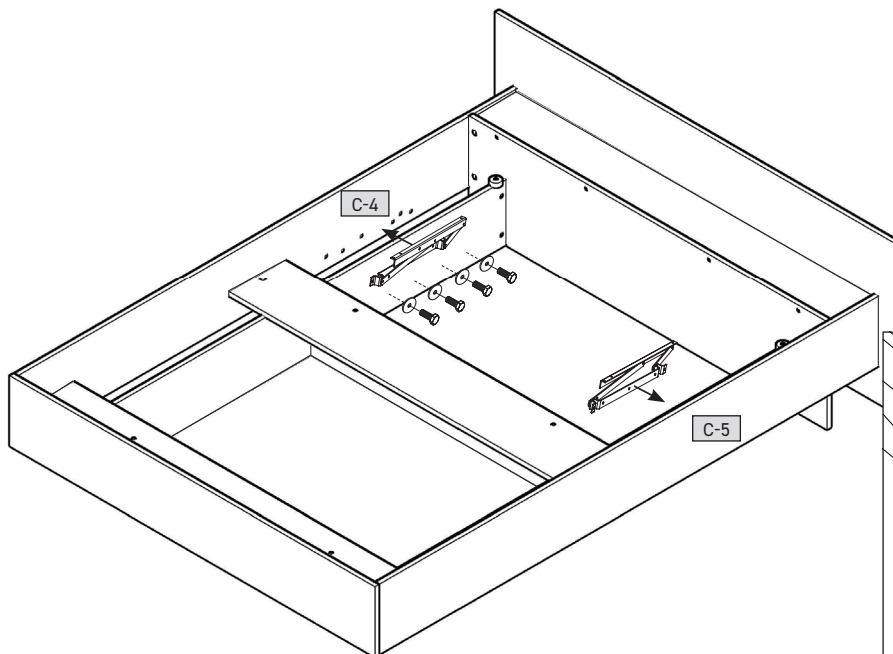
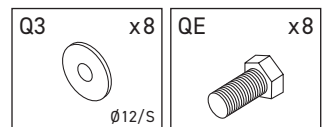
A



19

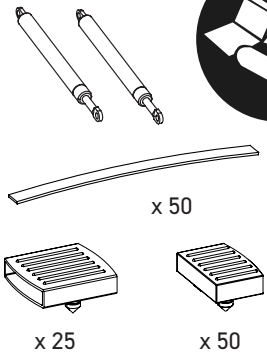
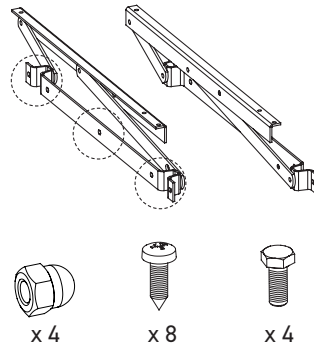
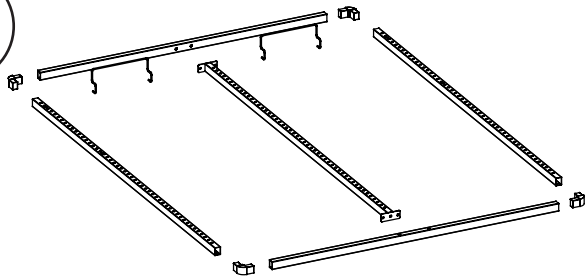


20



18

C



x 4

x 8

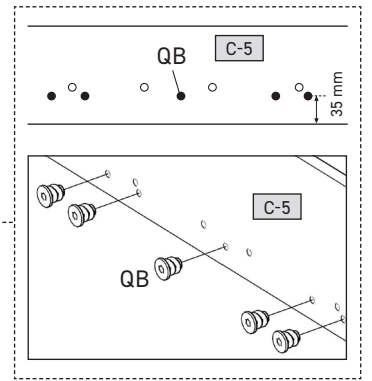
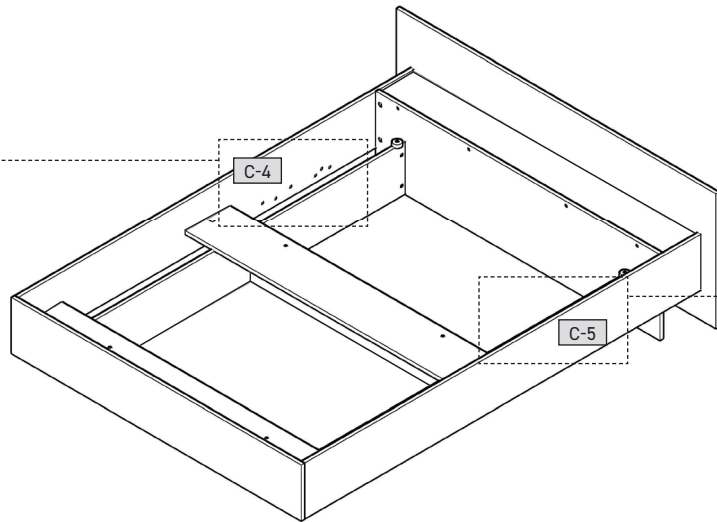
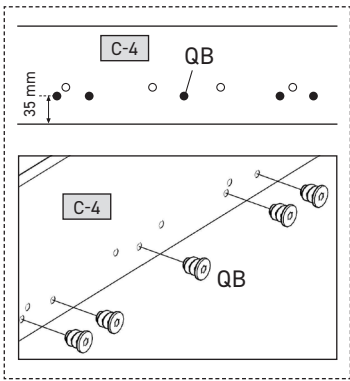
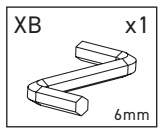
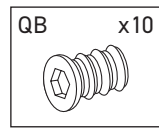
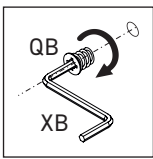
x 4

x 25

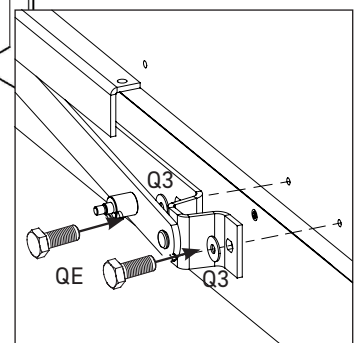
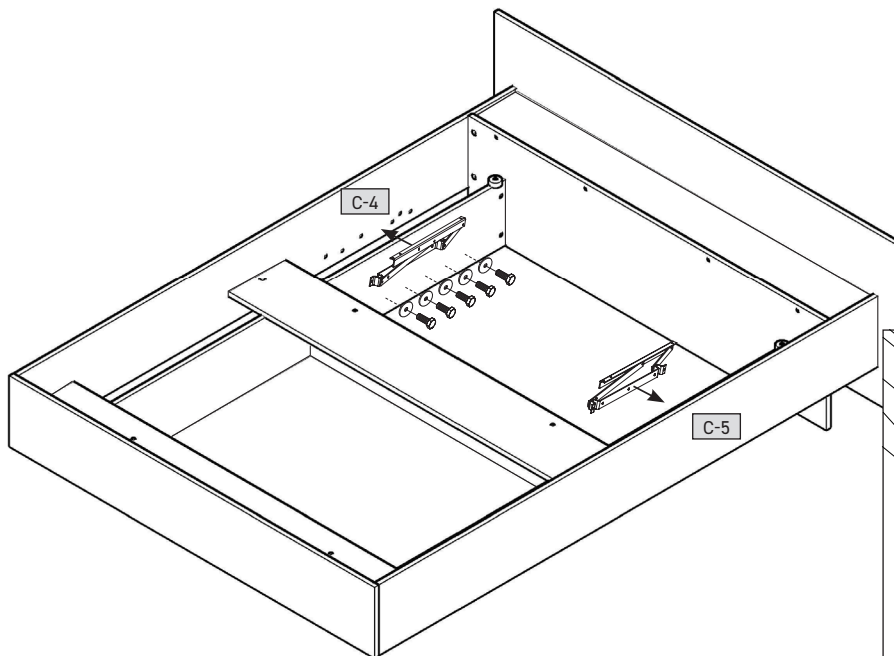
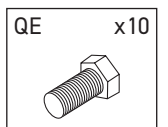
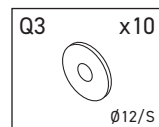
x 50

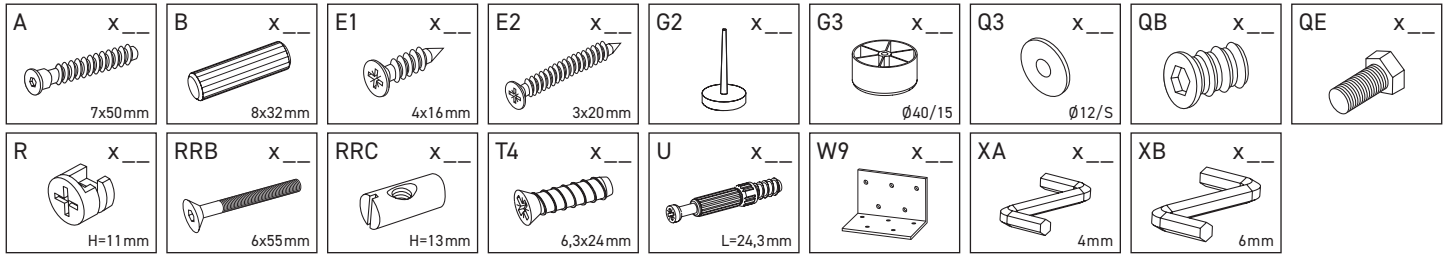
x 50

19



20





C-1	1800	660	16	x 1	2/3
C-2	1600	200	16	x 1	2/3
C-3	1600	417	16	x 1	2/3
C-4	2238	270	16	x 1	1/3
C-5	2238	270	16	x 1	1/3
C-6	1633	271	16	x 1	1/3
C-7	1600	250	16	x 1	2/3
C-8	1600	250	16	x 1	2/3
C-9	1600	80	16	x 1	2/3
C-10	1850	250	16	x 1	1/3
C-11	1850	250	16	x 1	1/3
C-12	1301	250	16	x 1	1/3
C-13	1268	250	16	x 1	1/3
C-14	1296	1002	3	x 1	2/3
C-15	800	640	200	x 2	3/3

