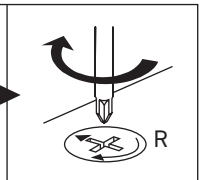
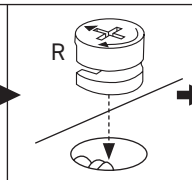
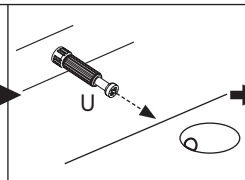
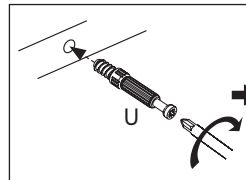
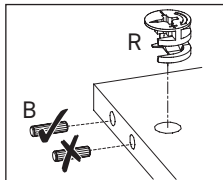
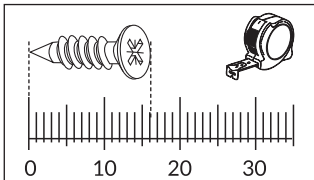
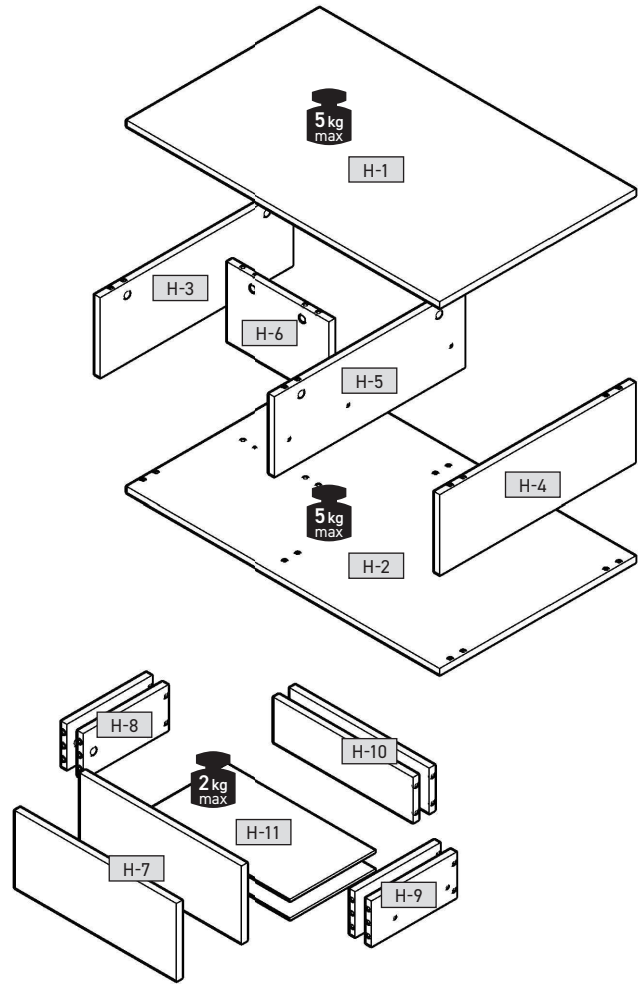
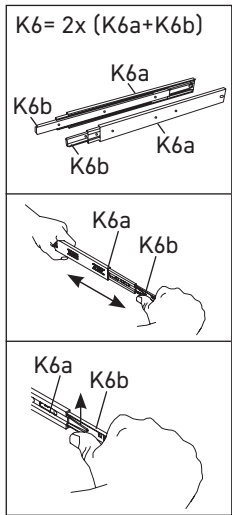
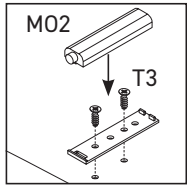


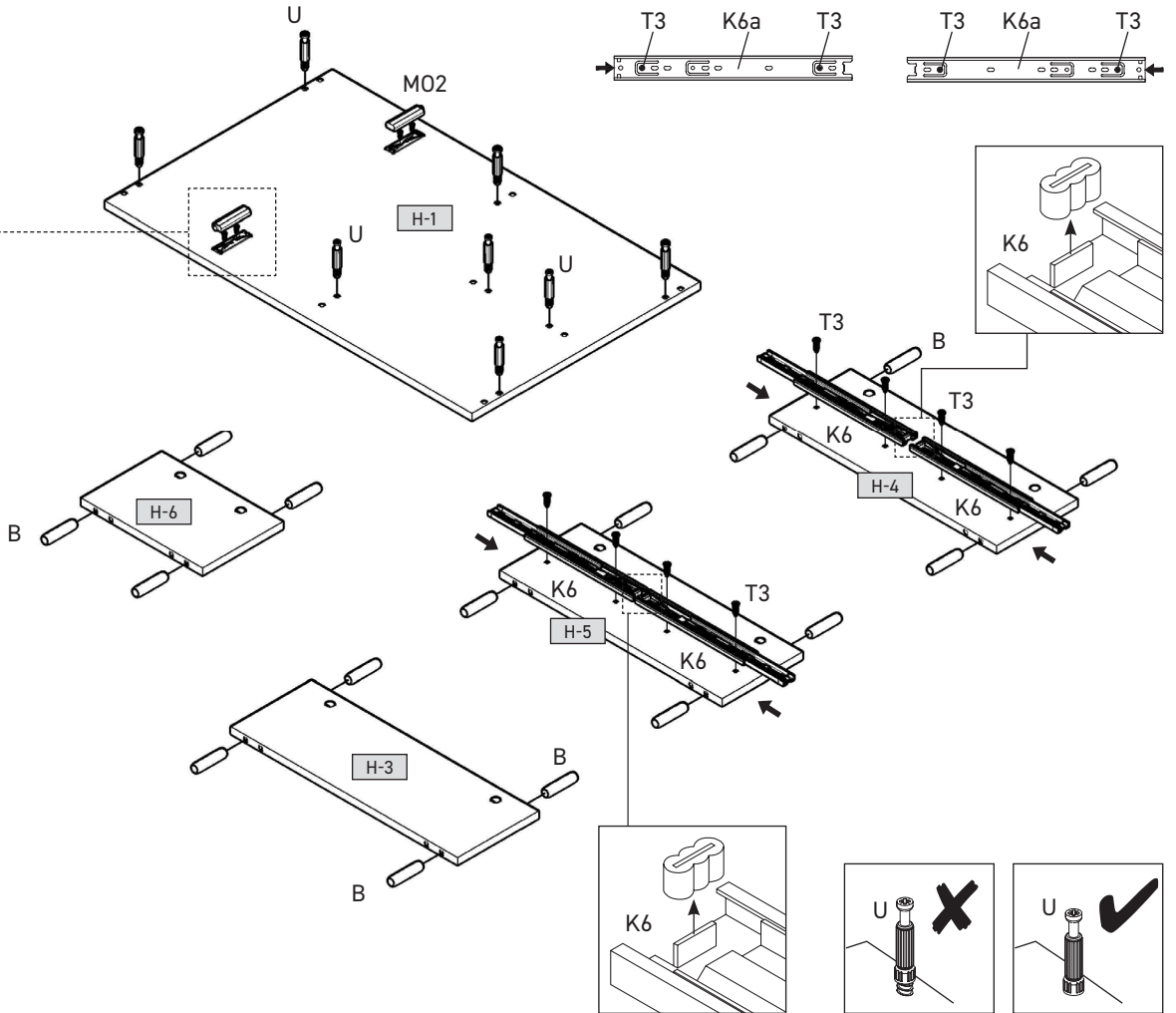
H-1	969	600	16	x1	1/1
H-2	969	600	16	x1	1/1
H-3	212	598	16	x1	1/1
H-4	212	598	16	x1	1/1
H-5	212	584	16	x1	1/1
H-6	212	320	16	x1	1/1
H-7	496	206	16	x2	1/1
H-8	260	120	16	x2	1/1
H-9	260	120	16	x2	1/1
H-10	446	120	16	x2	1/1
H-11	476	266	3	x2	1/1



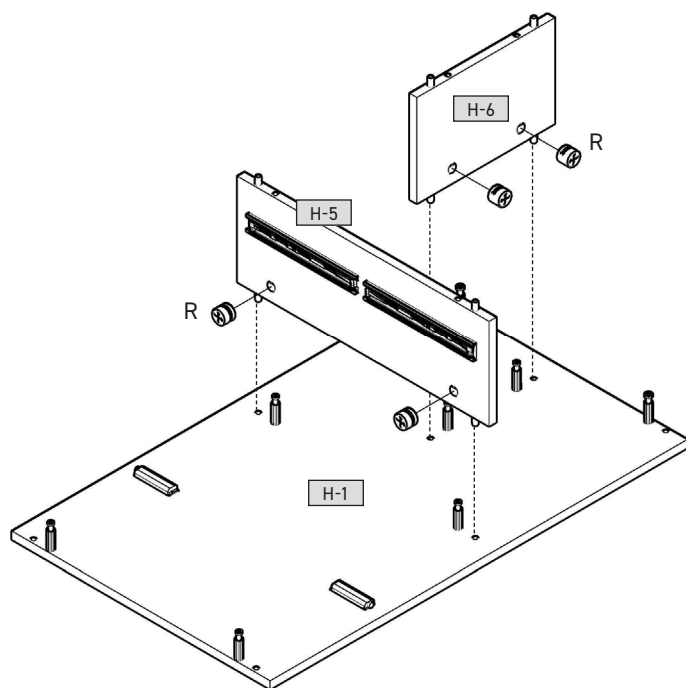
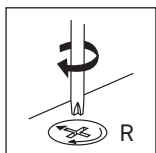
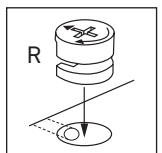
1



B x16 8x32mm	K6 x2 L=250mm	M02 x2	T3 x12 5x9mm	U x8 L=24,3mm
-----------------	------------------	--------	-----------------	------------------

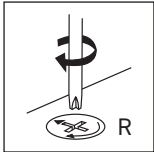
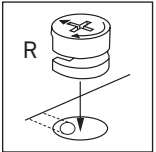
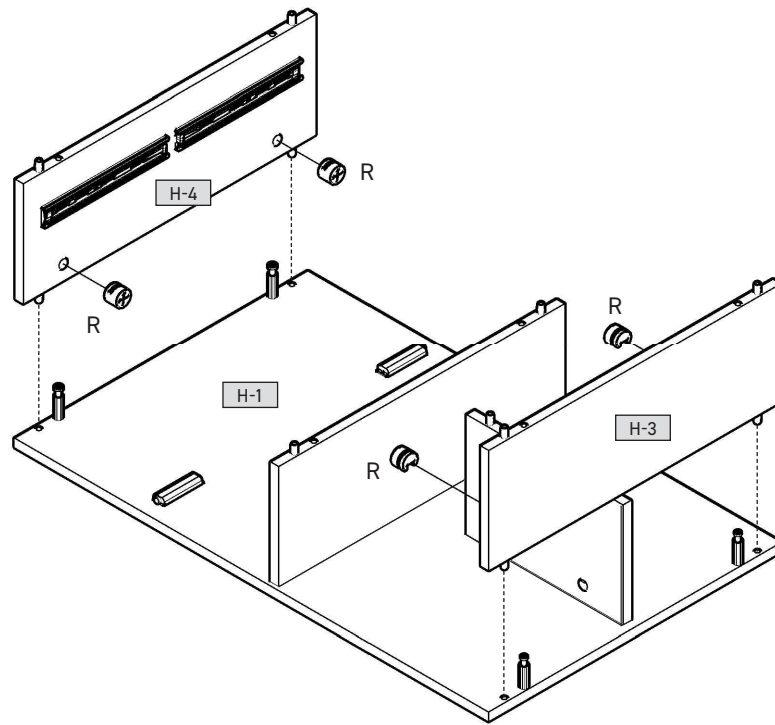
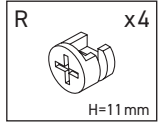


2

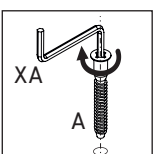
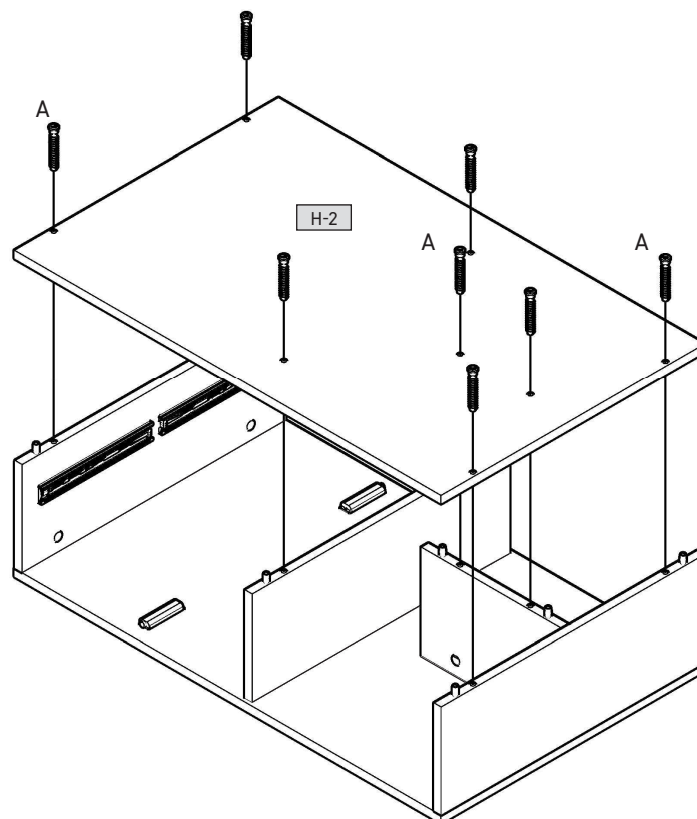
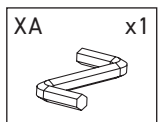
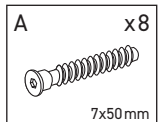


R x4 H=11mm
----------------

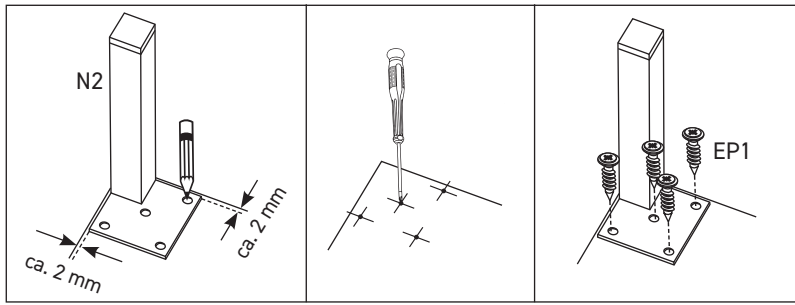
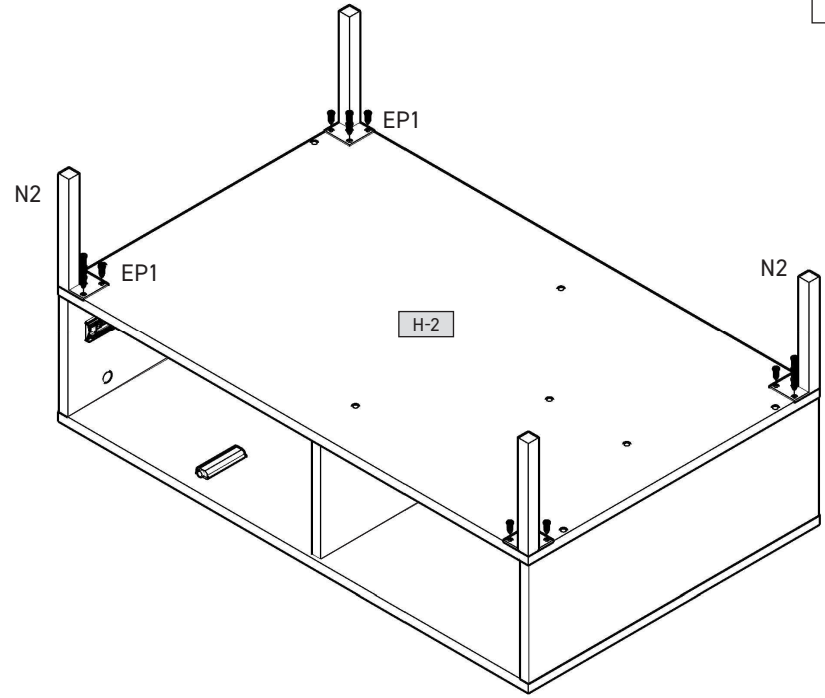
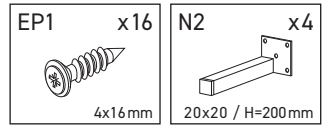
3



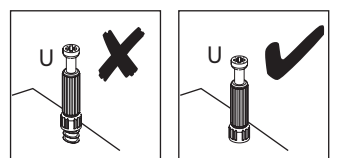
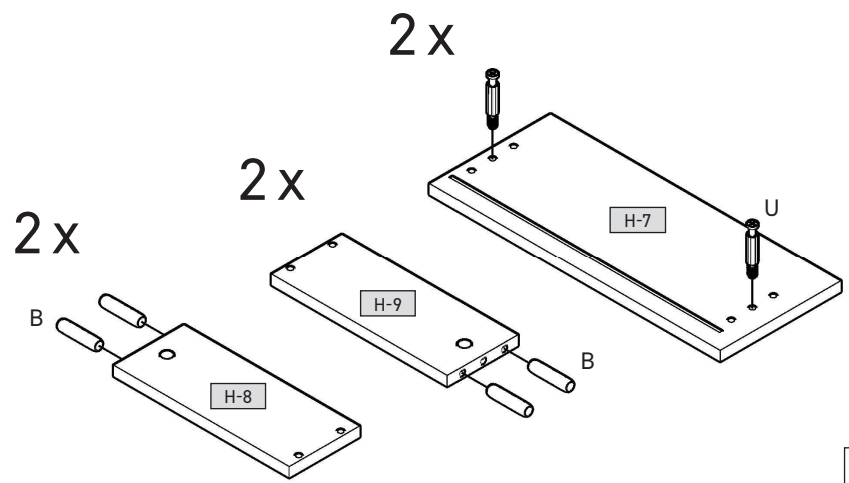
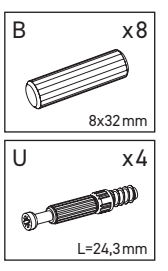
4



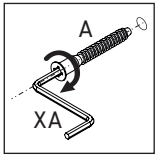
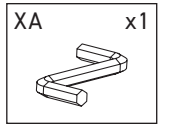
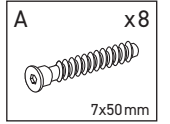
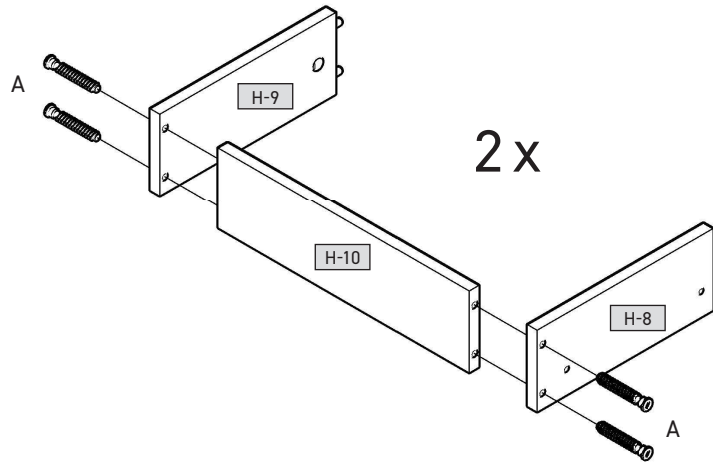
# 5



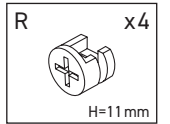
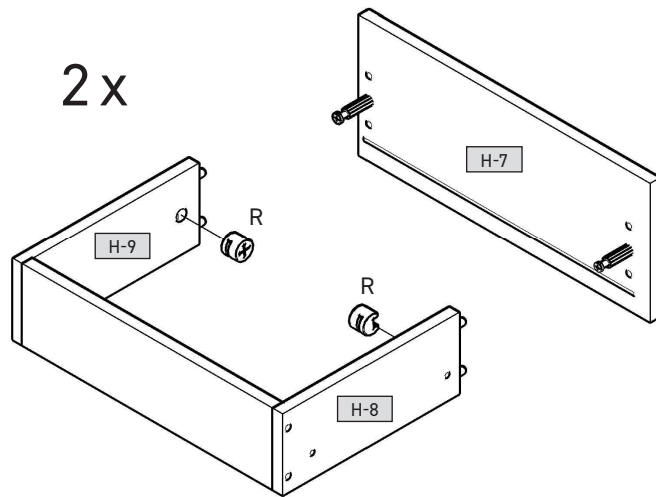
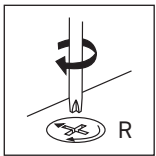
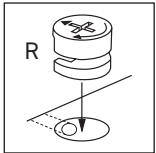
# 6



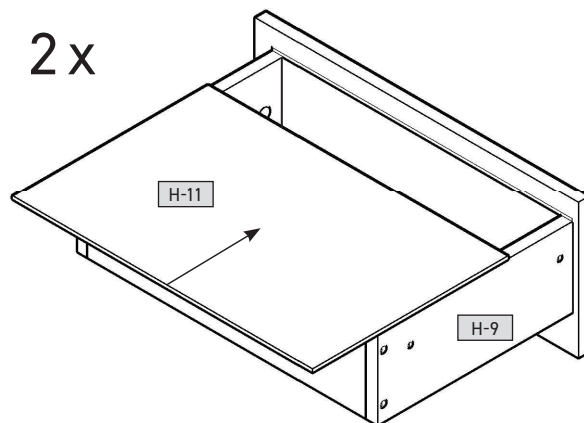
7



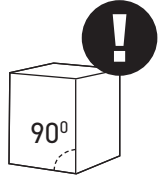
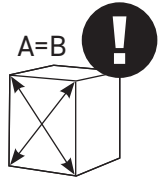
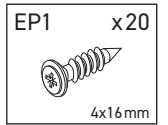
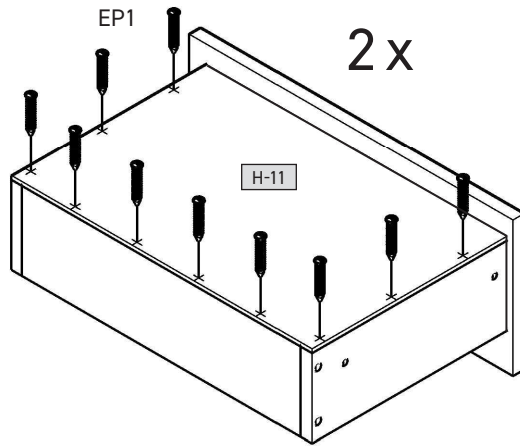
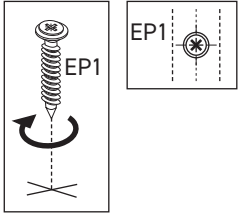
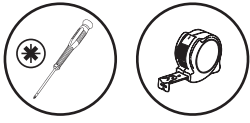
8



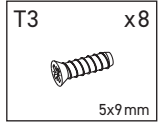
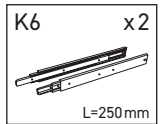
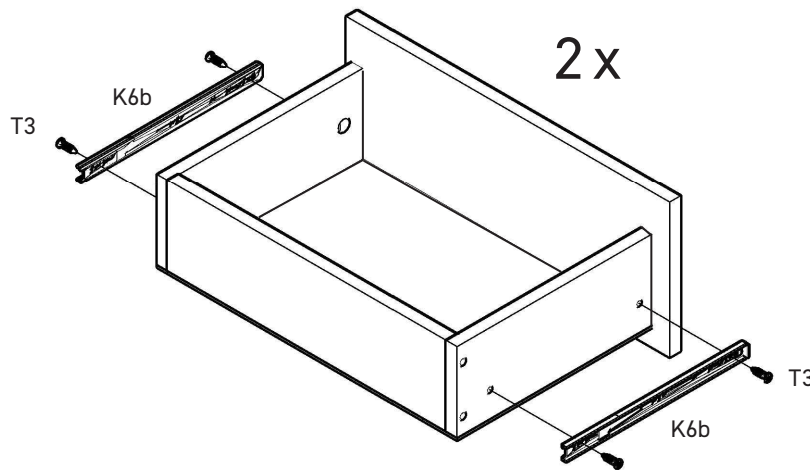
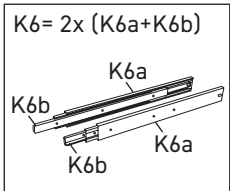
9



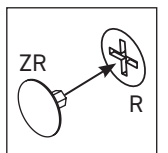
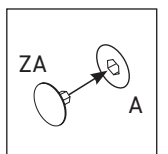
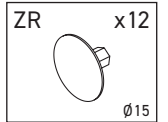
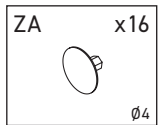
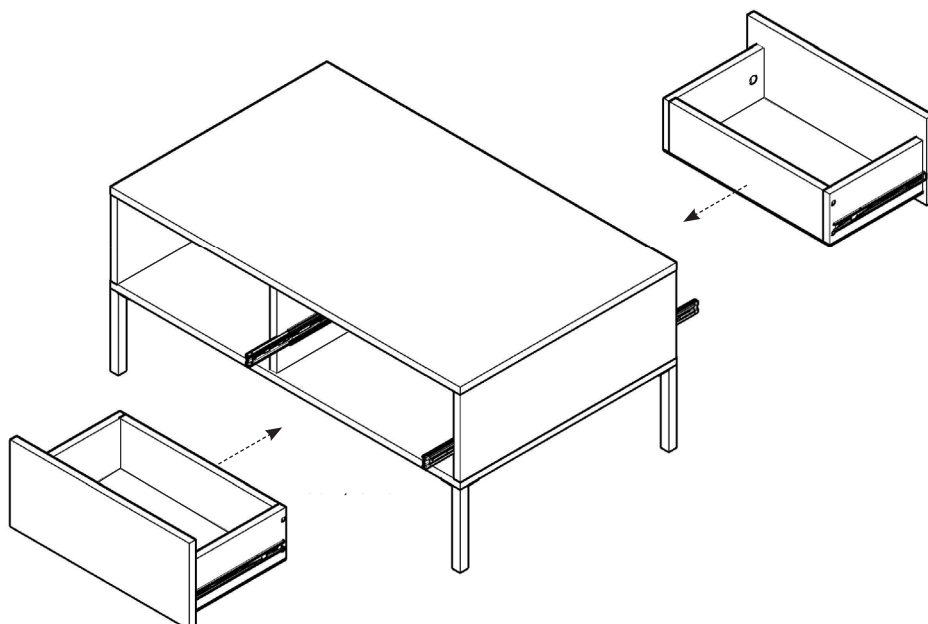
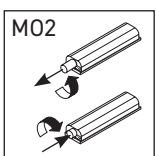
10



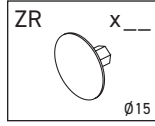
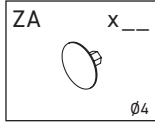
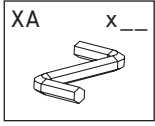
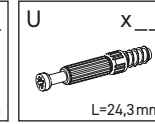
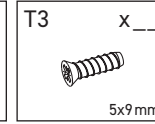
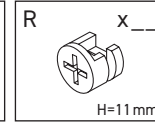
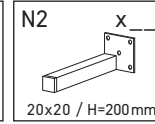
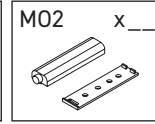
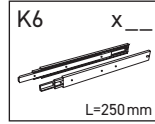
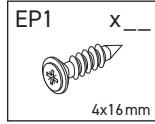
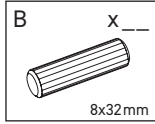
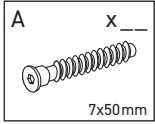
11



12







H-1	969	600	16	x 1	1/1
H-2	969	600	16	x 1	1/1
H-3	212	598	16	x 1	1/1
H-4	212	598	16	x 1	1/1
H-5	212	584	16	x 1	1/1
H-6	212	320	16	x 1	1/1
H-7	496	206	16	x 2	1/1
H-8	260	120	16	x 2	1/1
H-9	260	120	16	x 2	1/1
H-10	446	120	16	x 2	1/1
H-11	476	266	3	x 2	1/1

