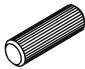
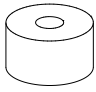
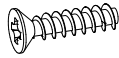
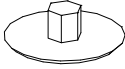

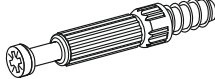

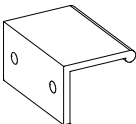
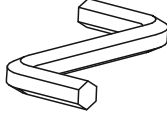
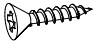


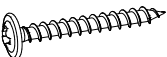
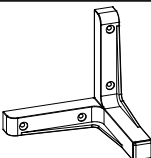
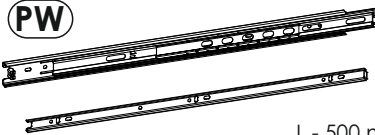
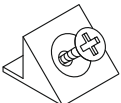
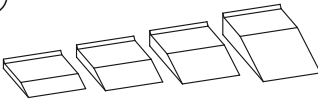
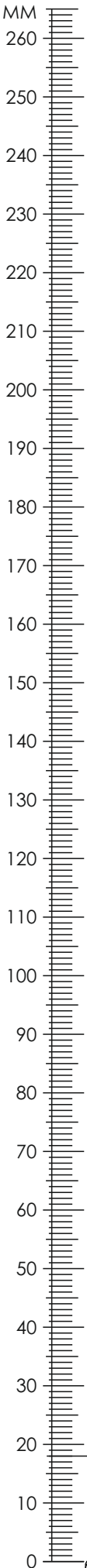
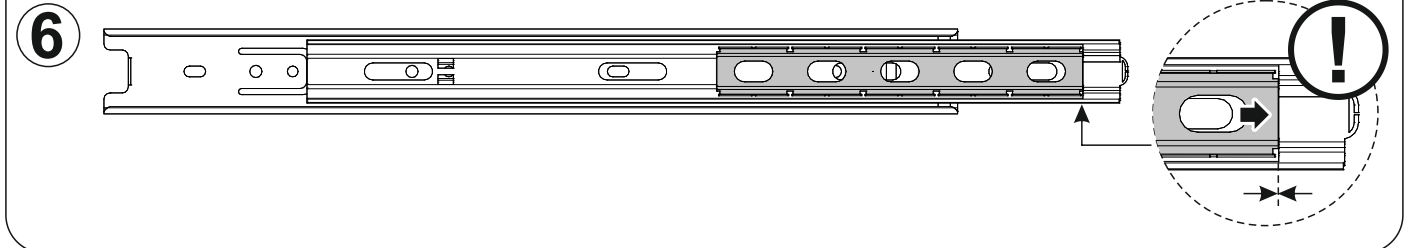
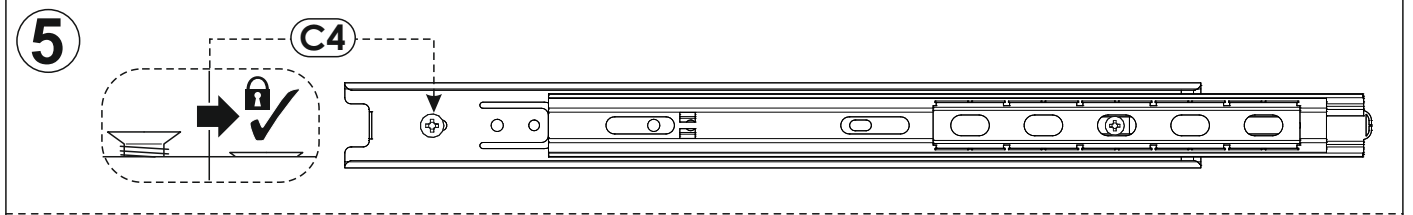
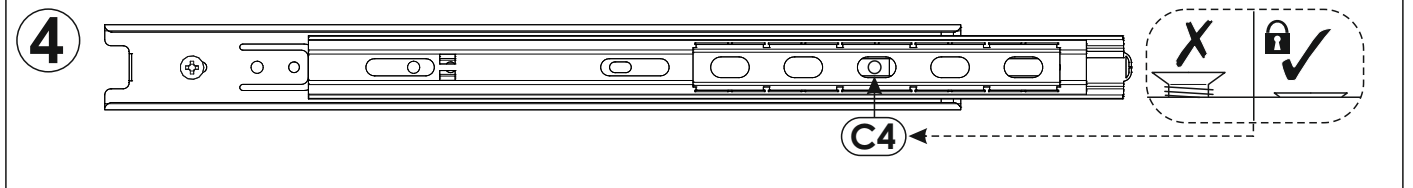
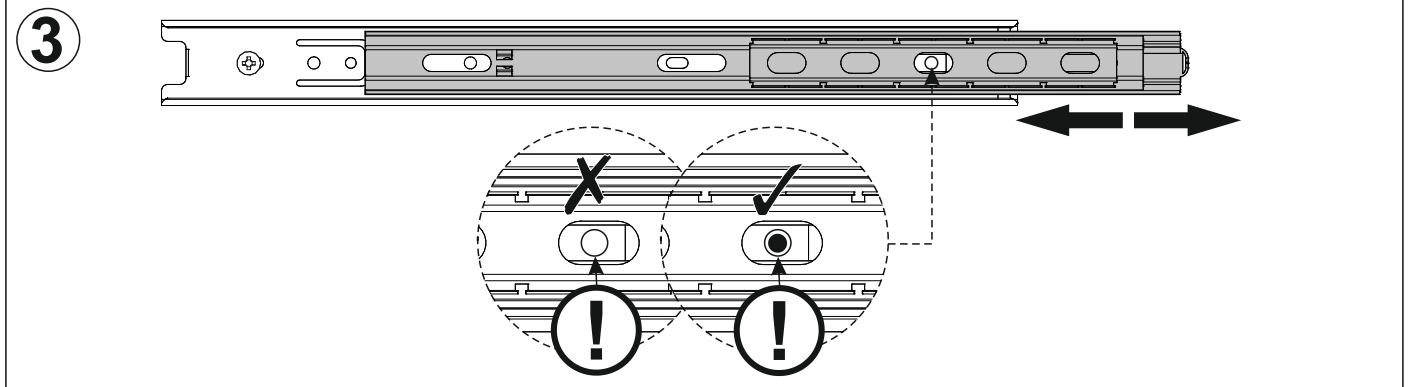
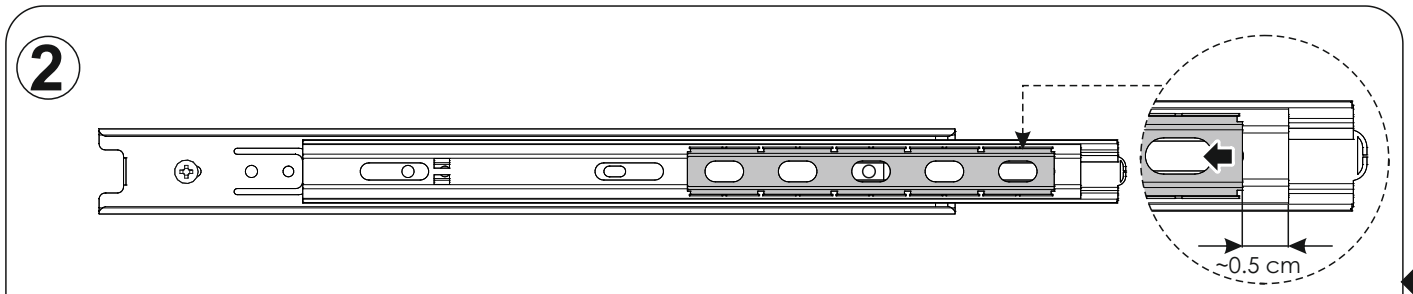
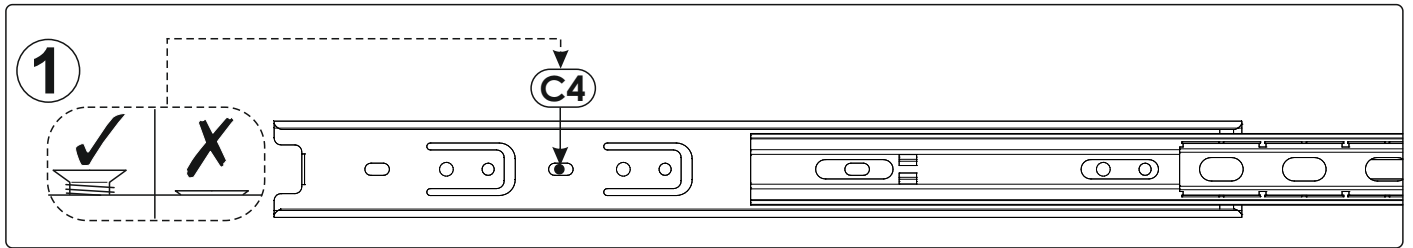
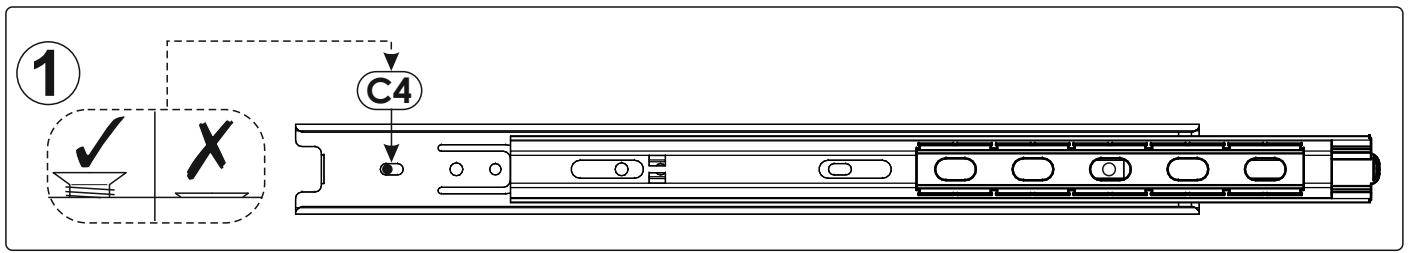
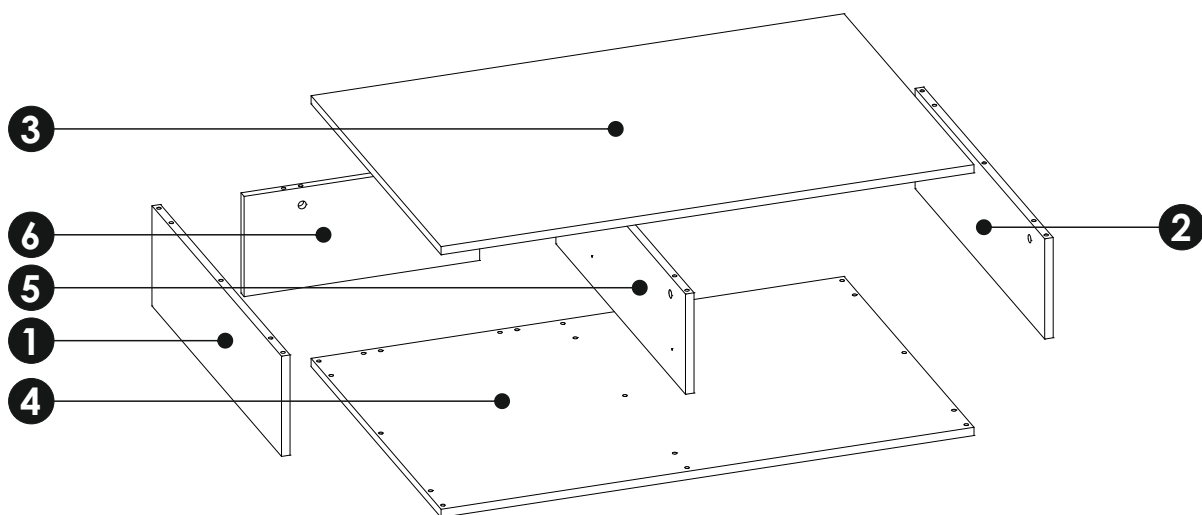
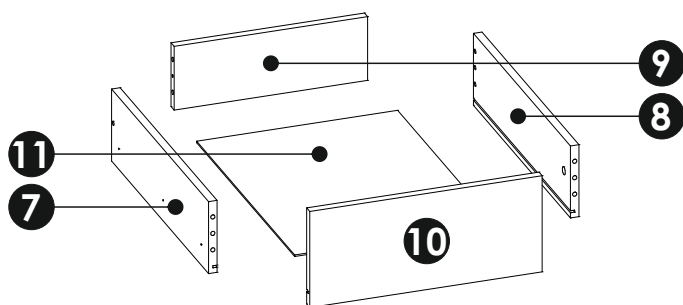
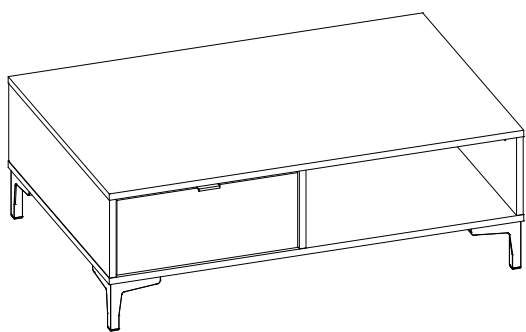


A1 8 x 35 mm x30 	BD H - 11 mm x4 	C4 5 x 20 mm x4 
E0 Ø16 x4 	E1 15 x 12 mm x10 	F1 6 x 34 mm x10 
G1 7 x 50 mm x10 	H1 L - 50 mm x1 	M x1 
N1 3 x 16 mm x5 	N4 3,5 x 13 mm x2 	N5 3,5 x 16 mm x6 
N7 3,5 x 30 mm x16 	O12 x4 	PW L - 500 mm x2 
R4 x1 	Z x1 	

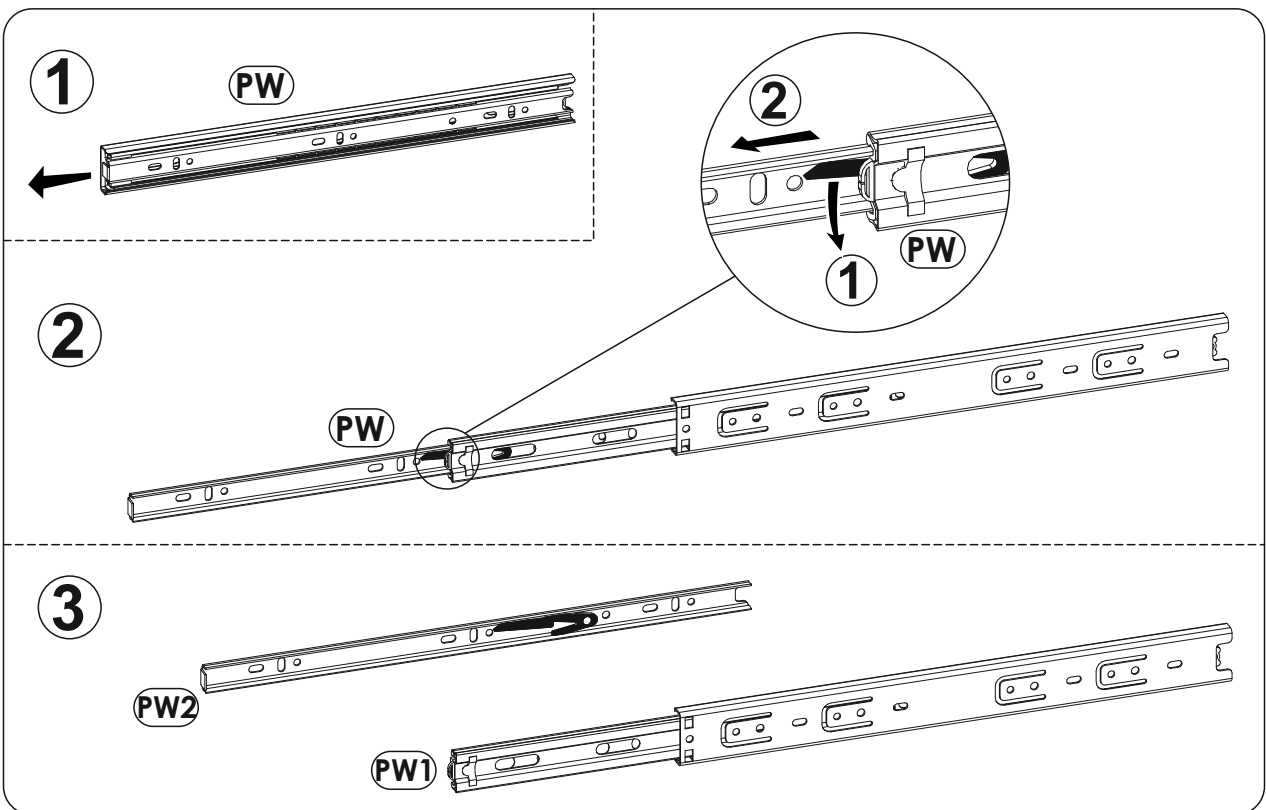
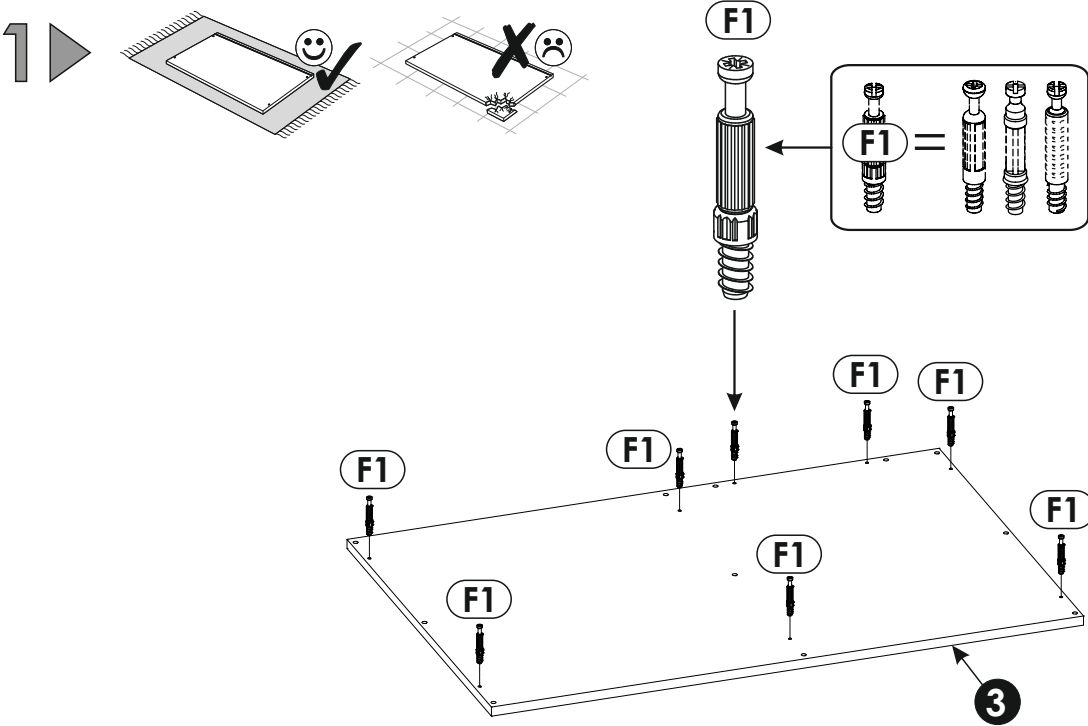
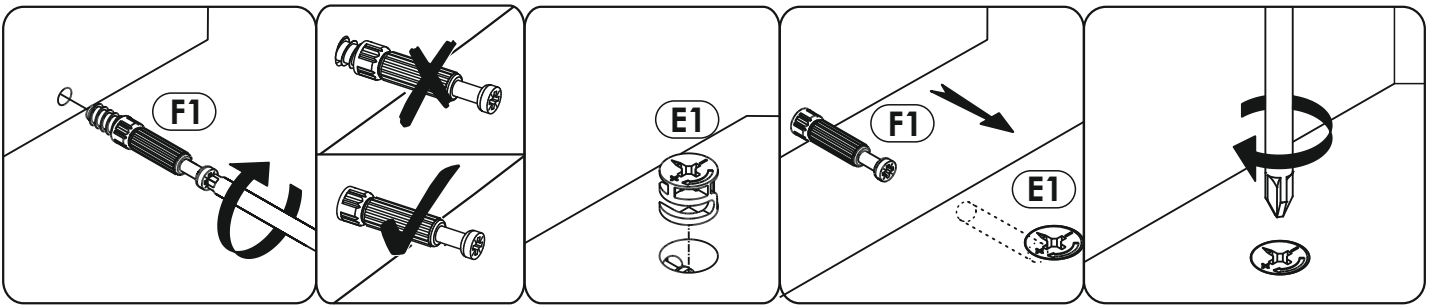


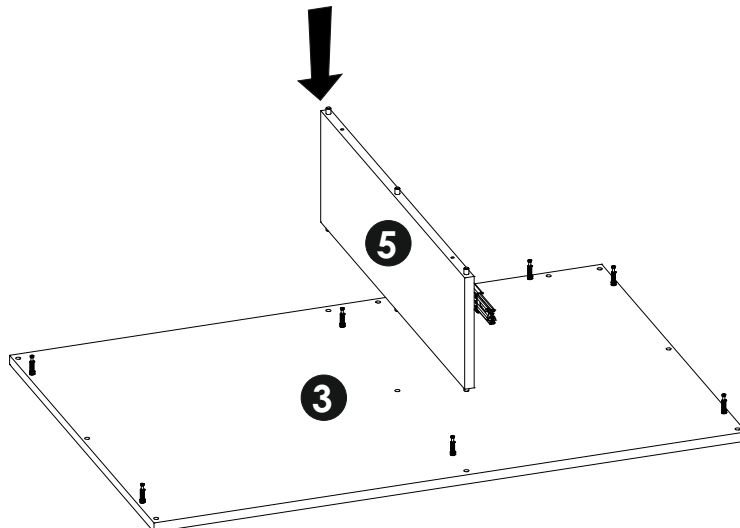
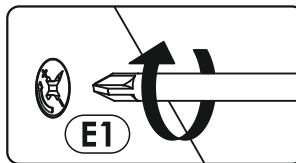
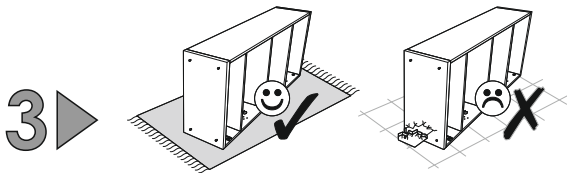
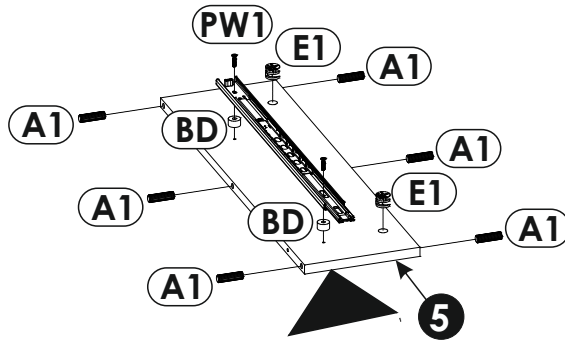
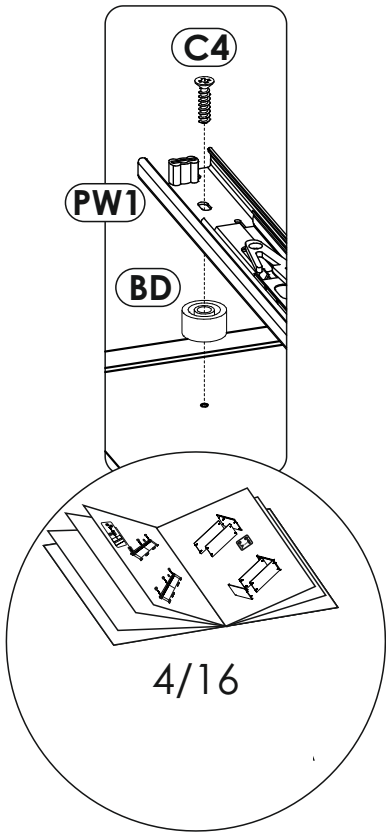
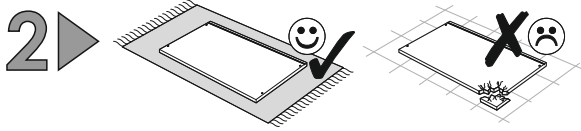




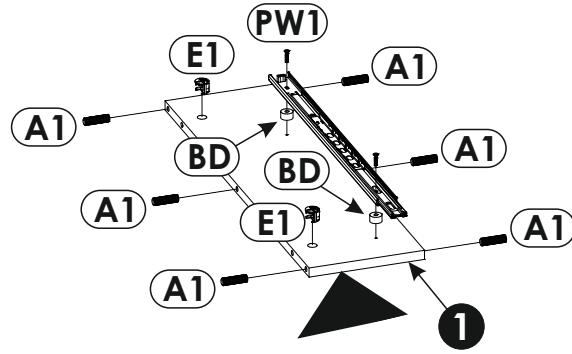
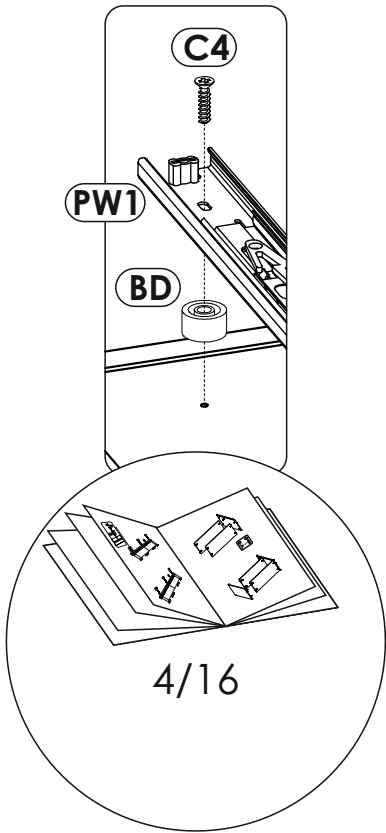
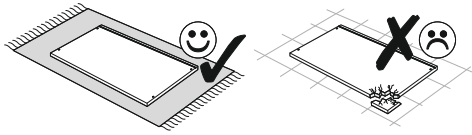
1	195	668	16	x1	1/1
2	195	668	16	x1	1/1
3	1000	670	16	x1	1/1
4	1000	670	16	x1	1/1
5	195	668	16	x1	1/1
6	442	195	16	x1	1/1

7	500	140	16	x1	1/1
8	500	140	16	x1	1/1
9	363	124	16	x1	1/1
10	436	187	16	x1	1/1
11	377	505	3	x1	1/1

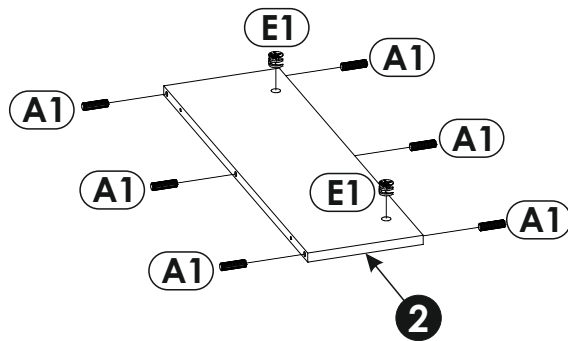
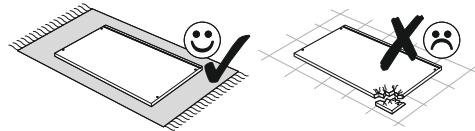


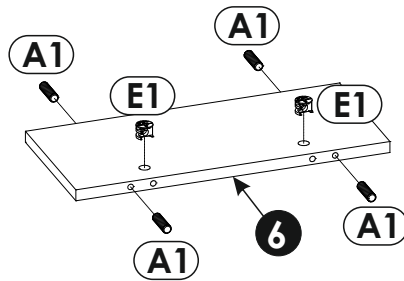
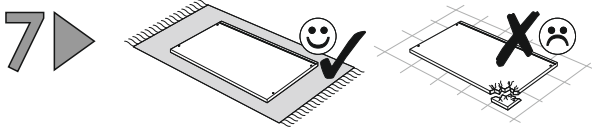
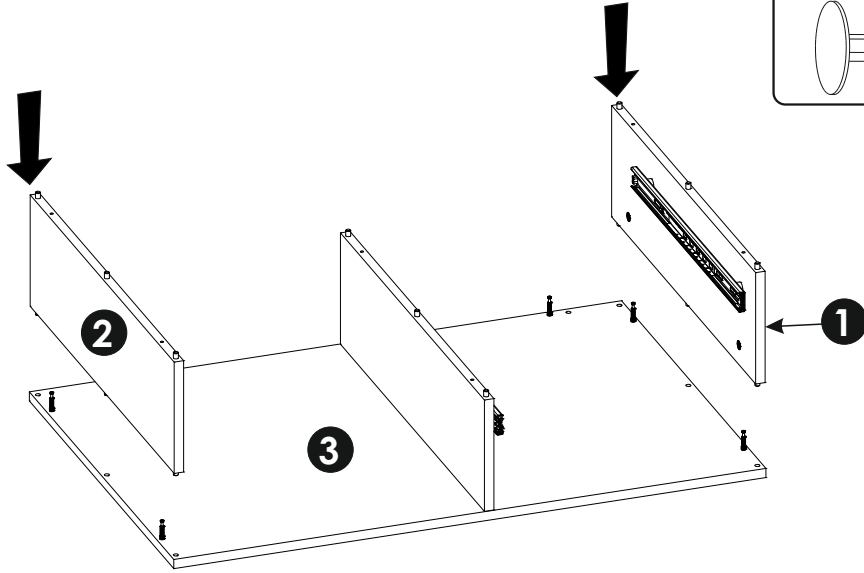
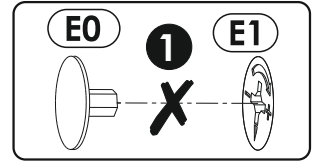
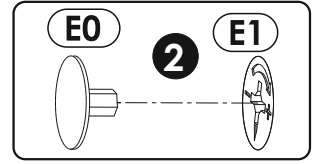
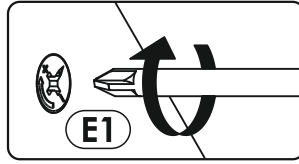
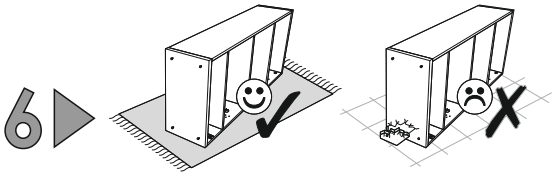


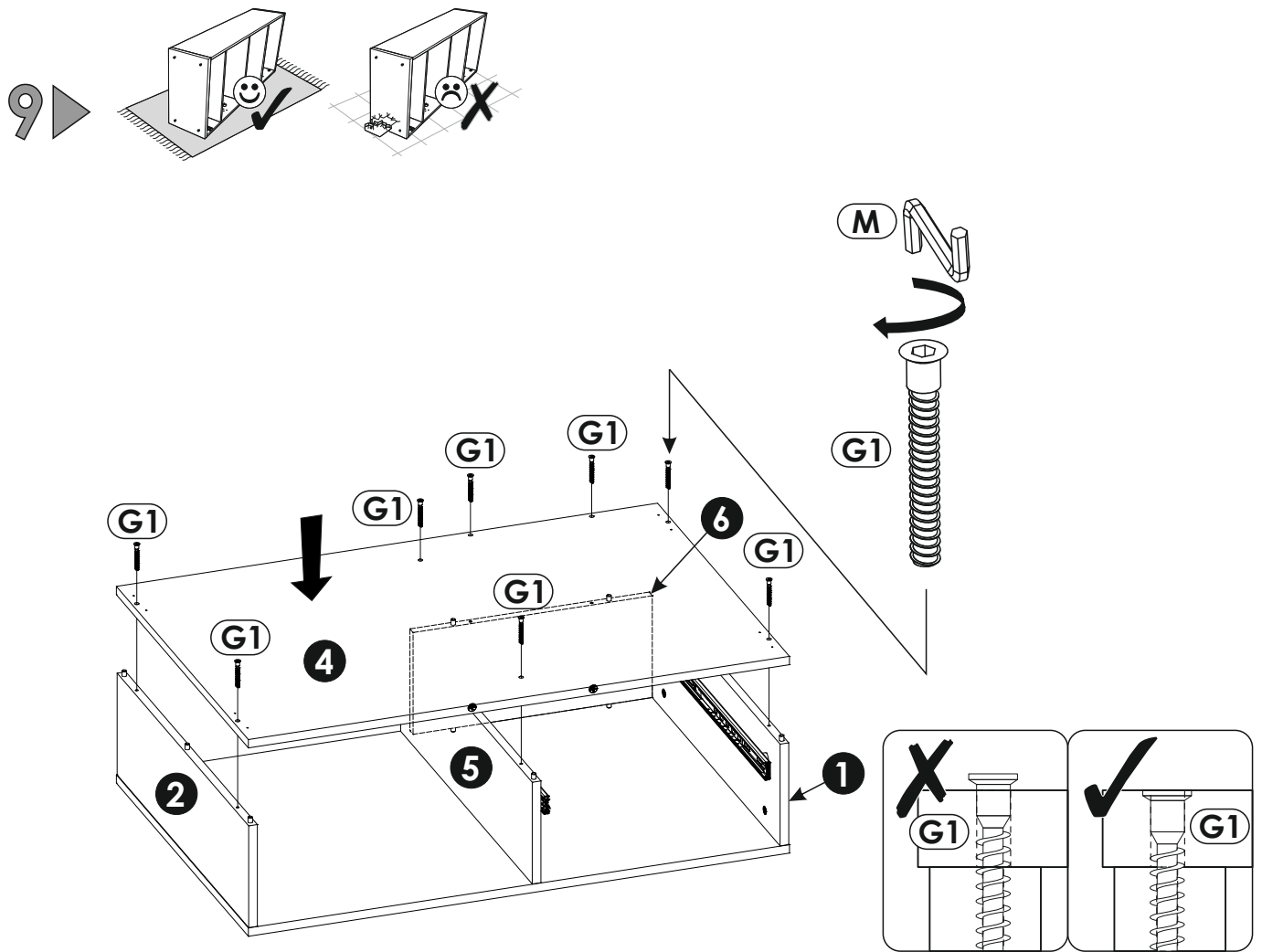
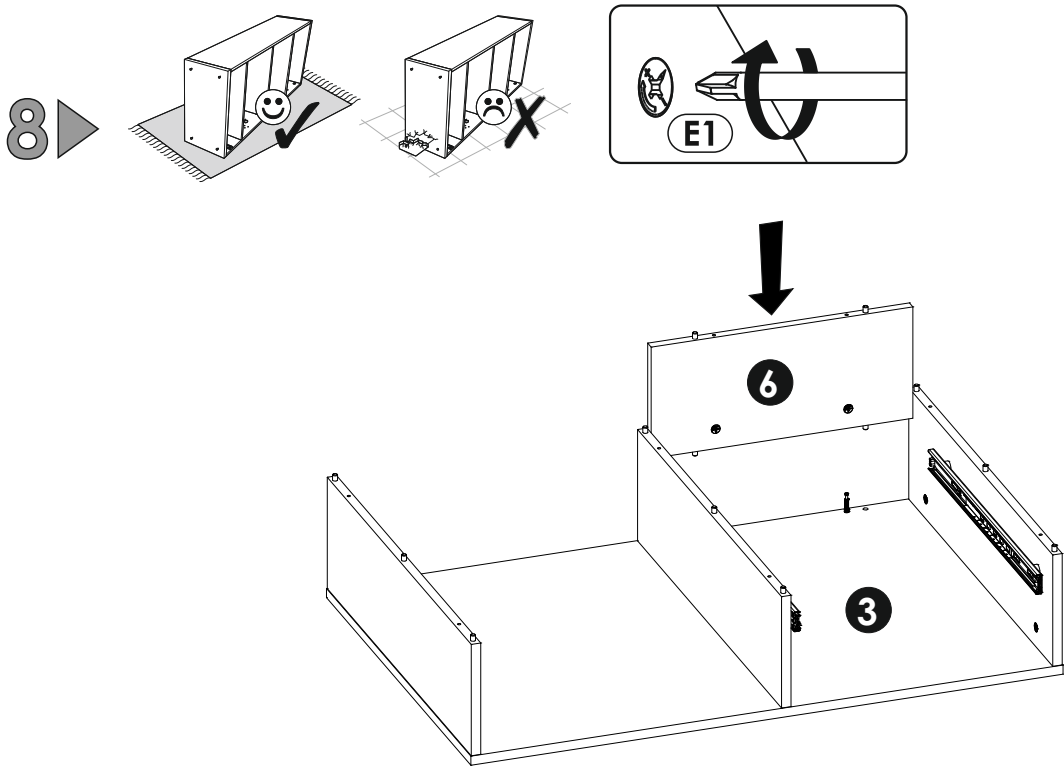
4 ▶

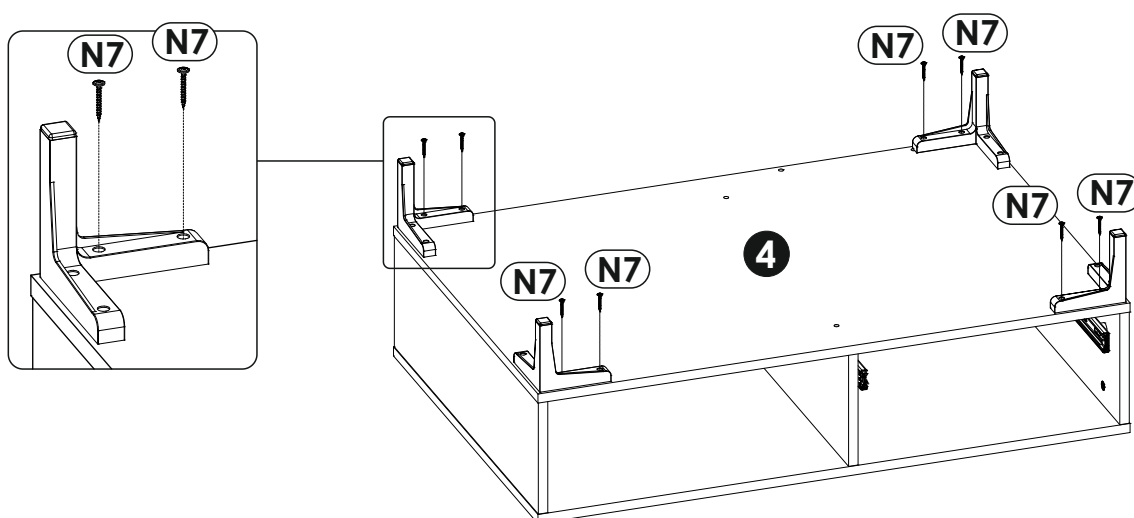
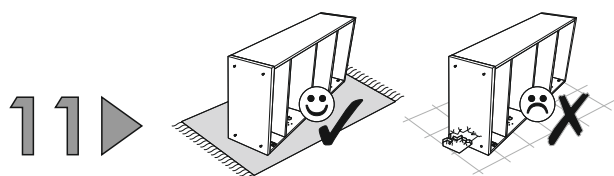
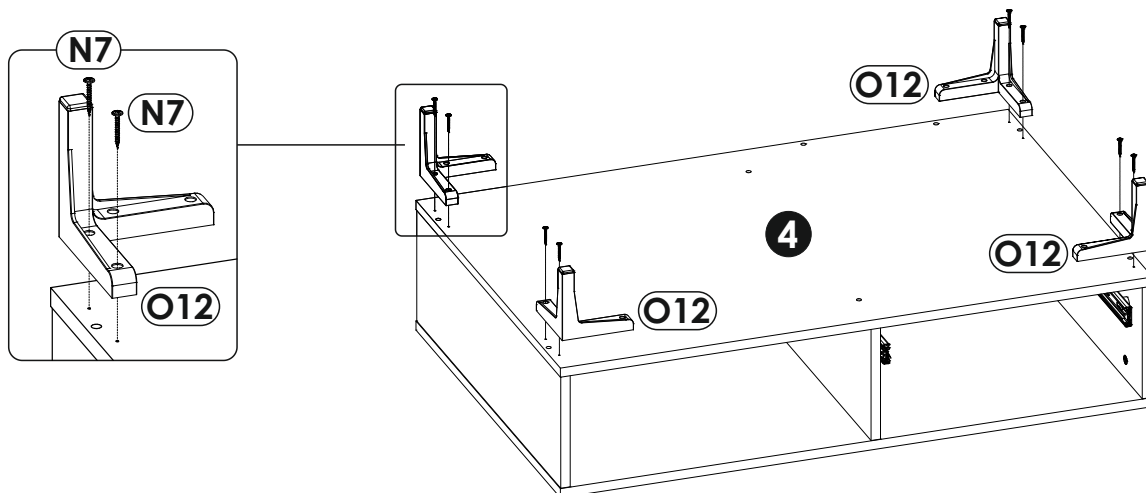
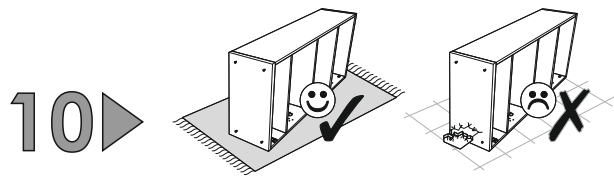


5 ▶

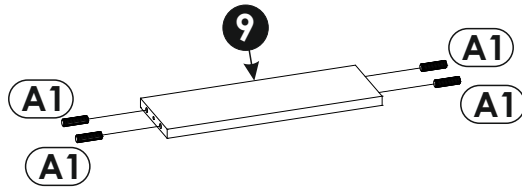
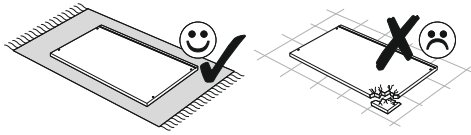




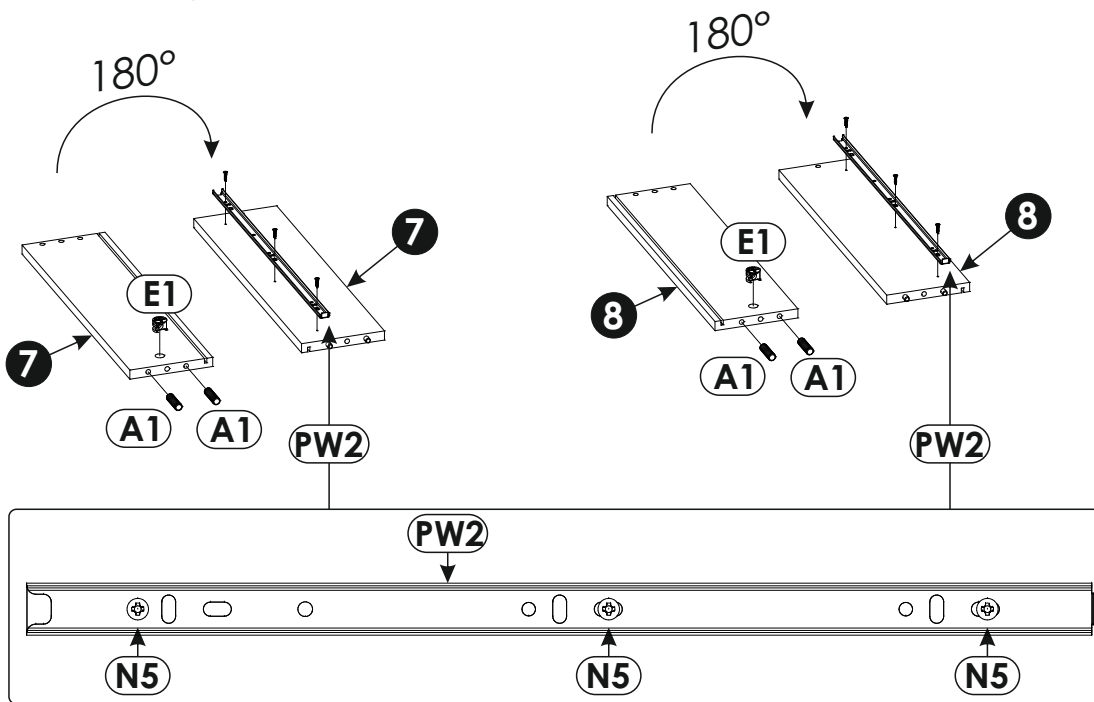
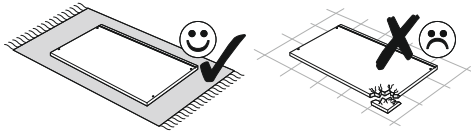




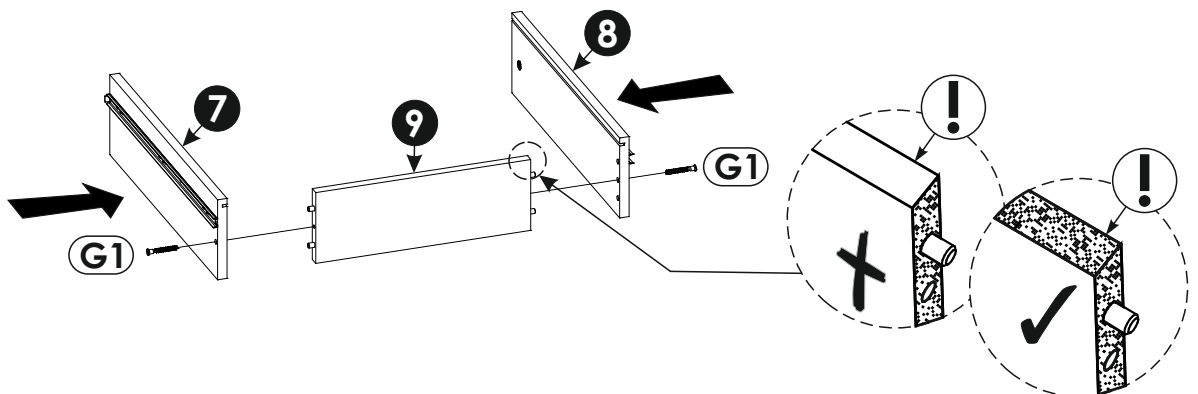
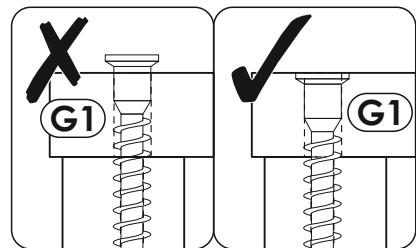
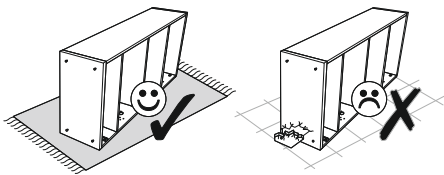
12▶



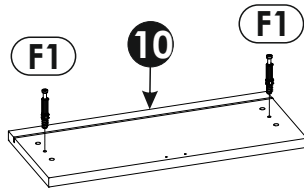
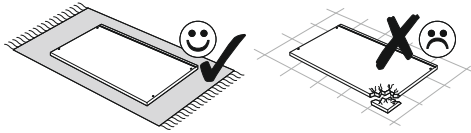
13▶



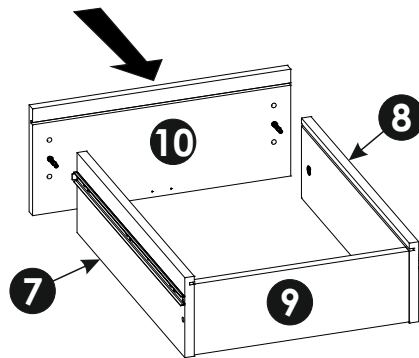
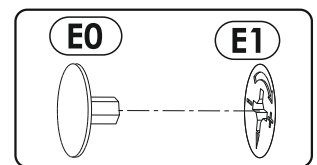
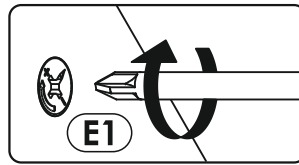
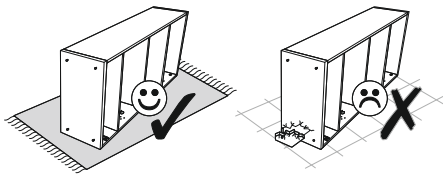
14▶



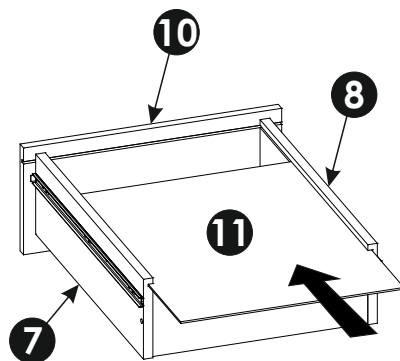
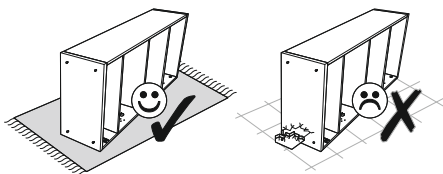
15 ▶



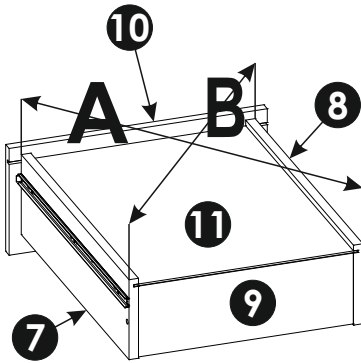
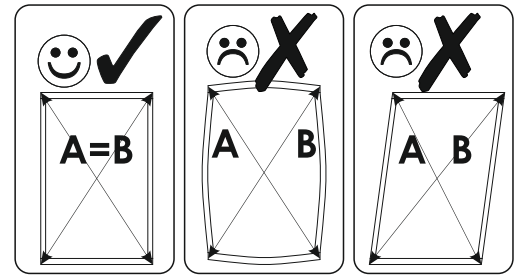
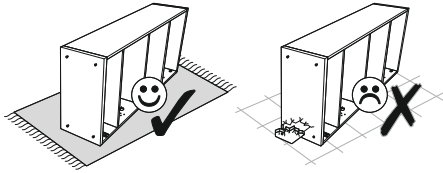
16 ▶



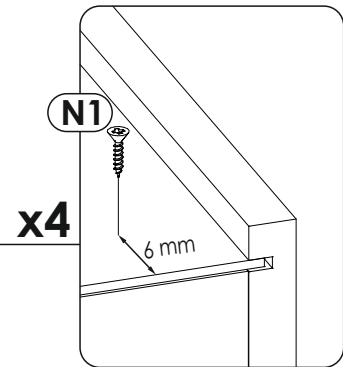
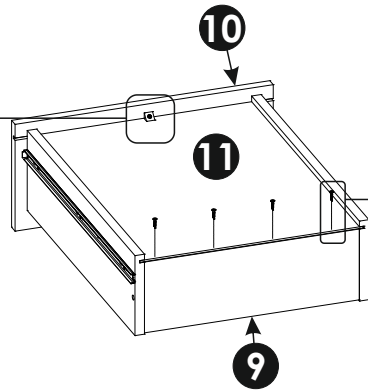
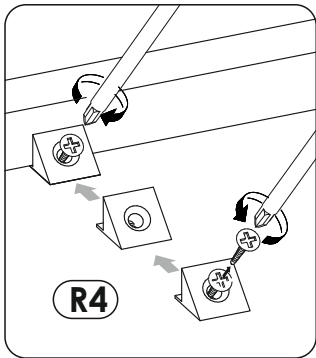
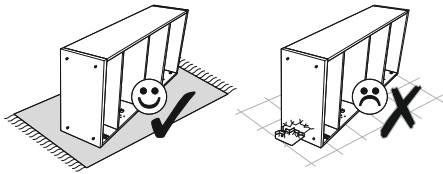
17 ▶



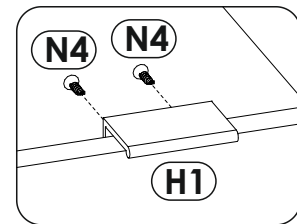
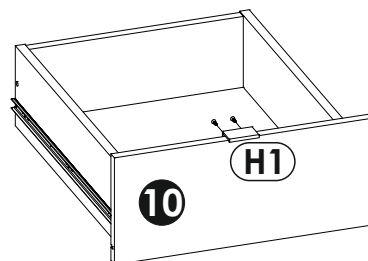
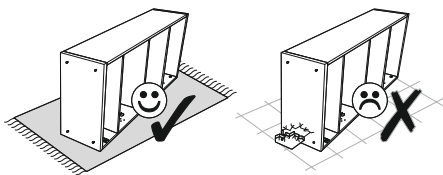
18 ▶



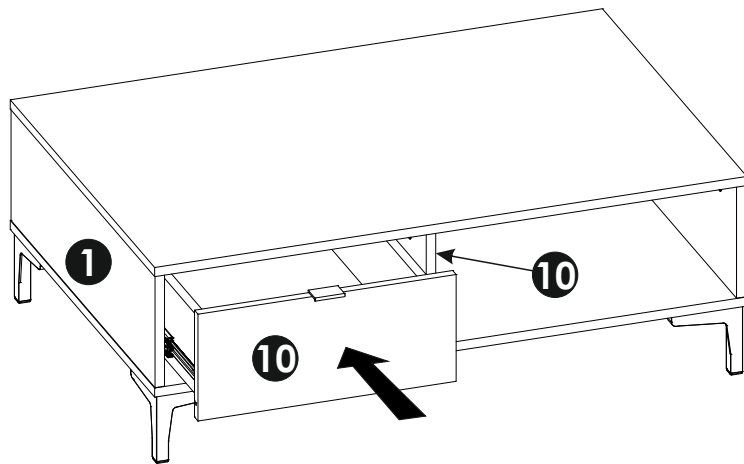
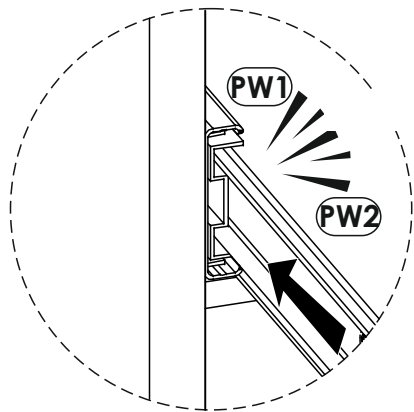
19 ▶



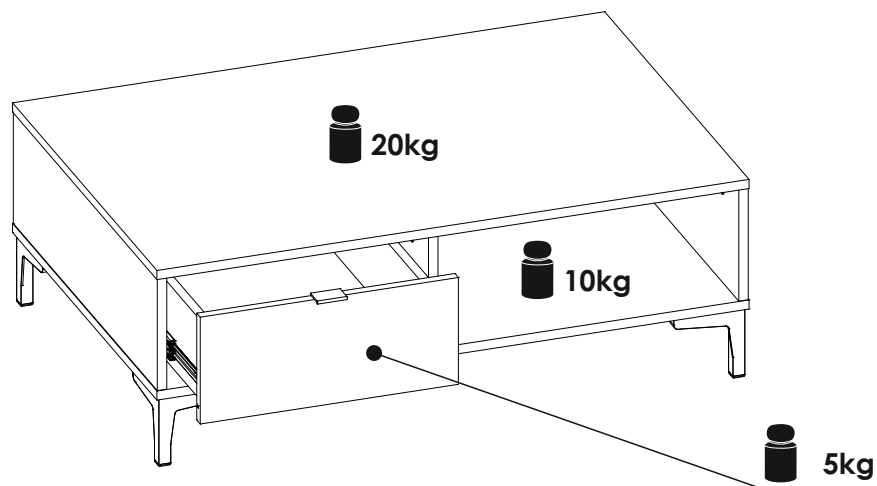
20 ▶

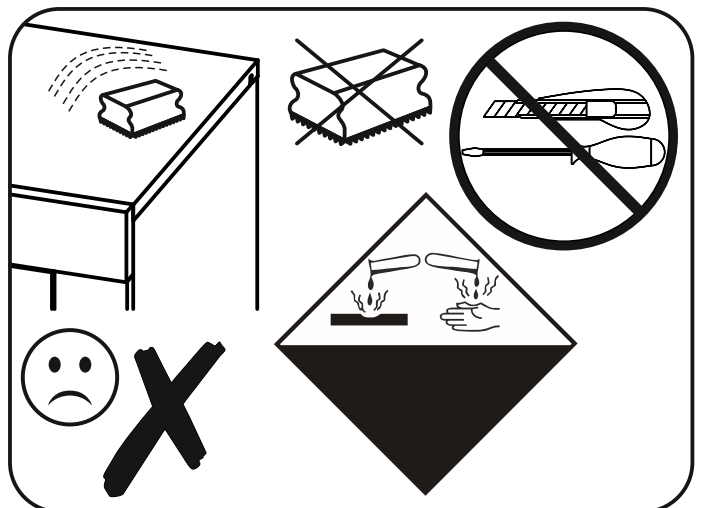


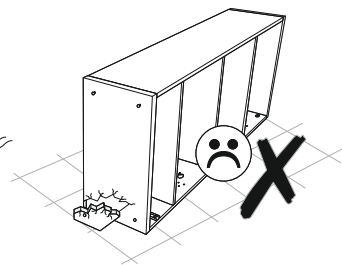
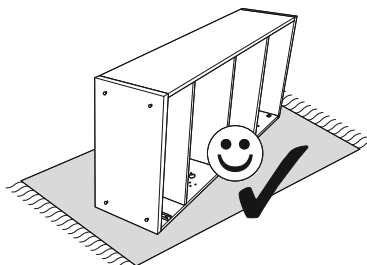
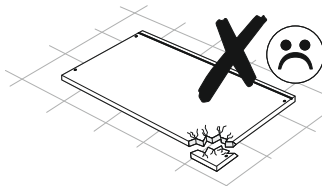
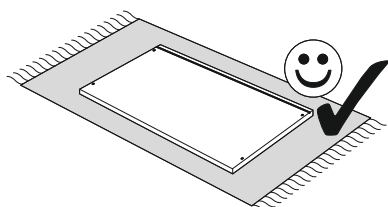
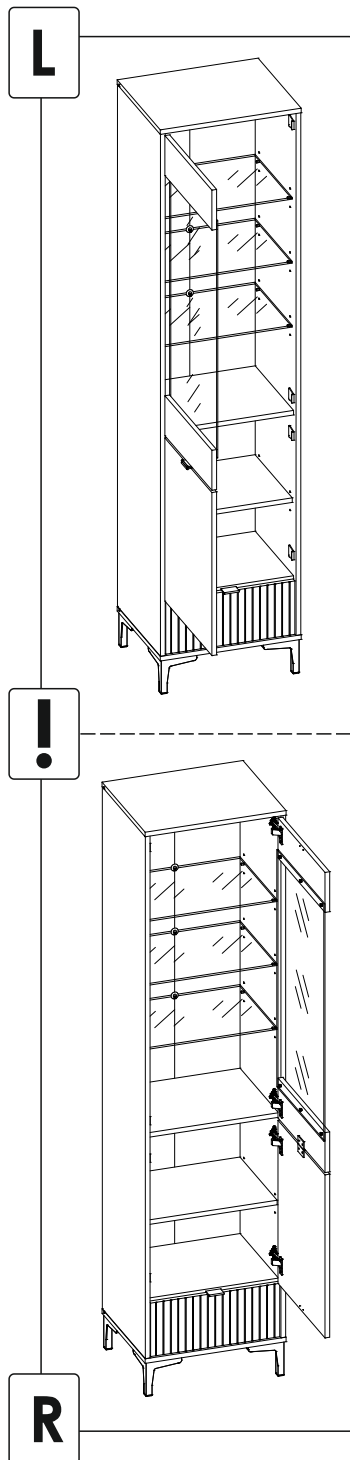
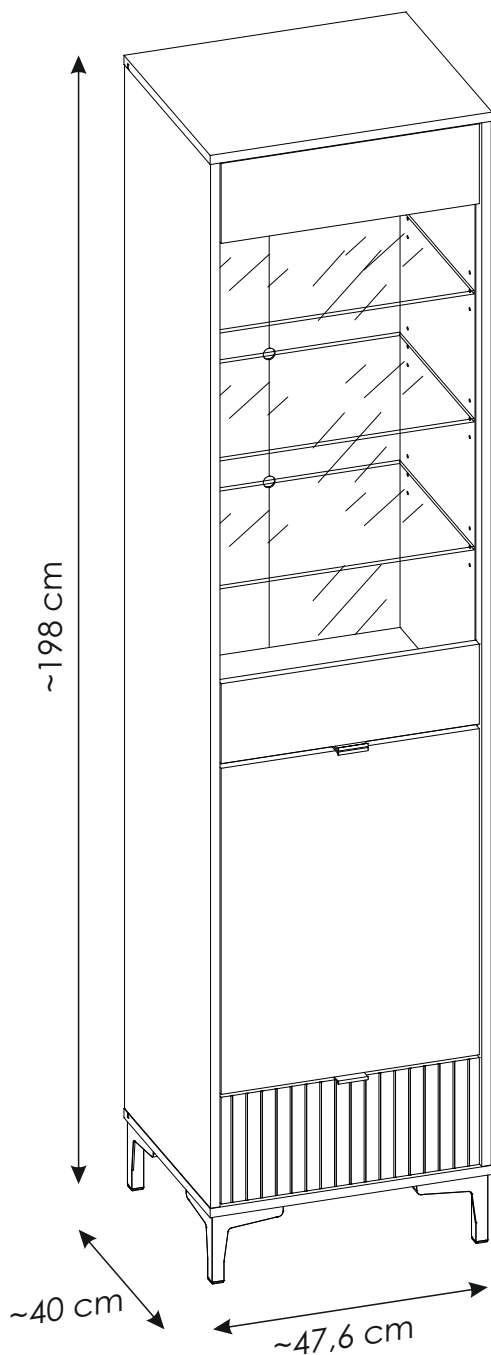
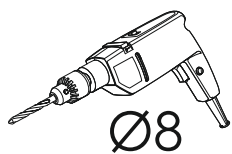
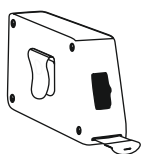
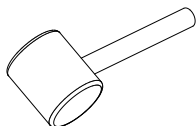
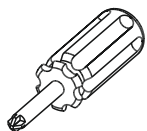
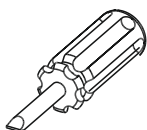
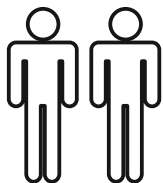
21 ▶

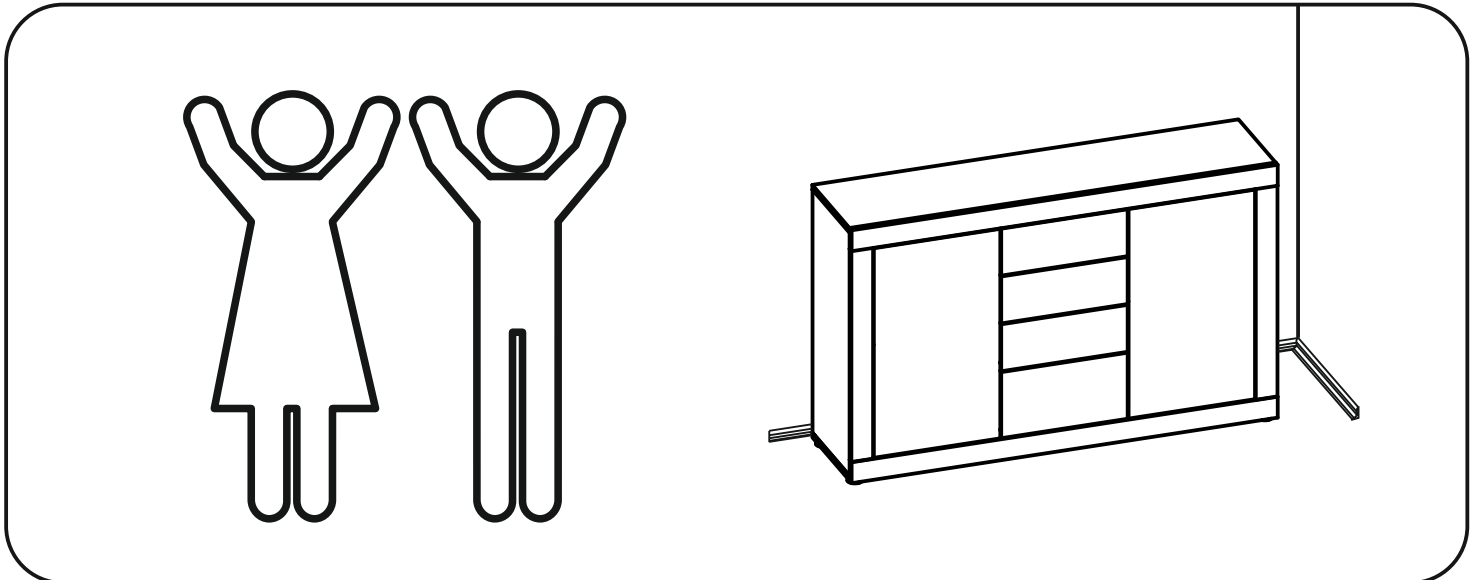
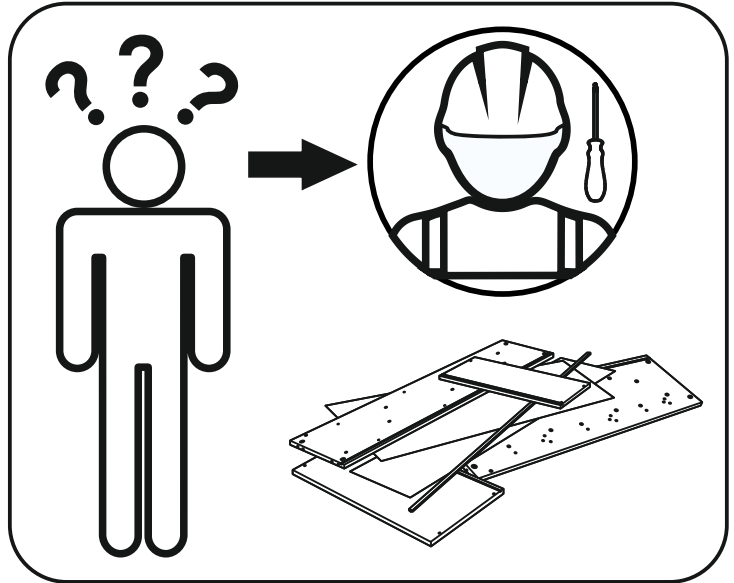
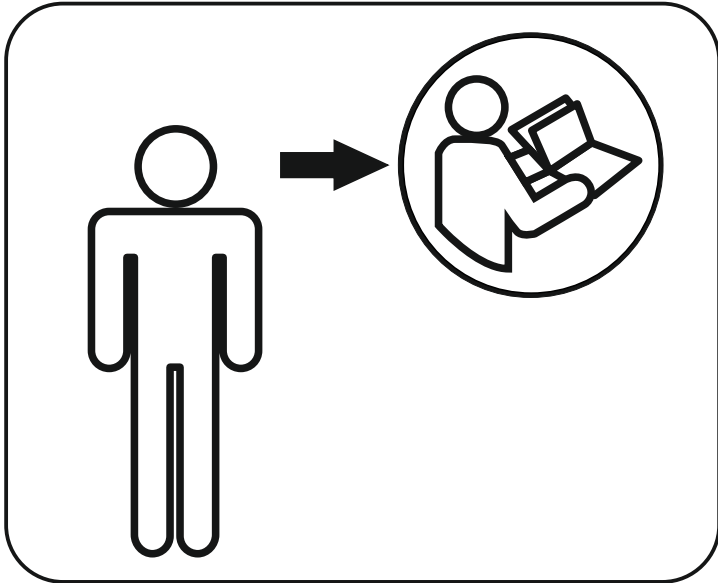
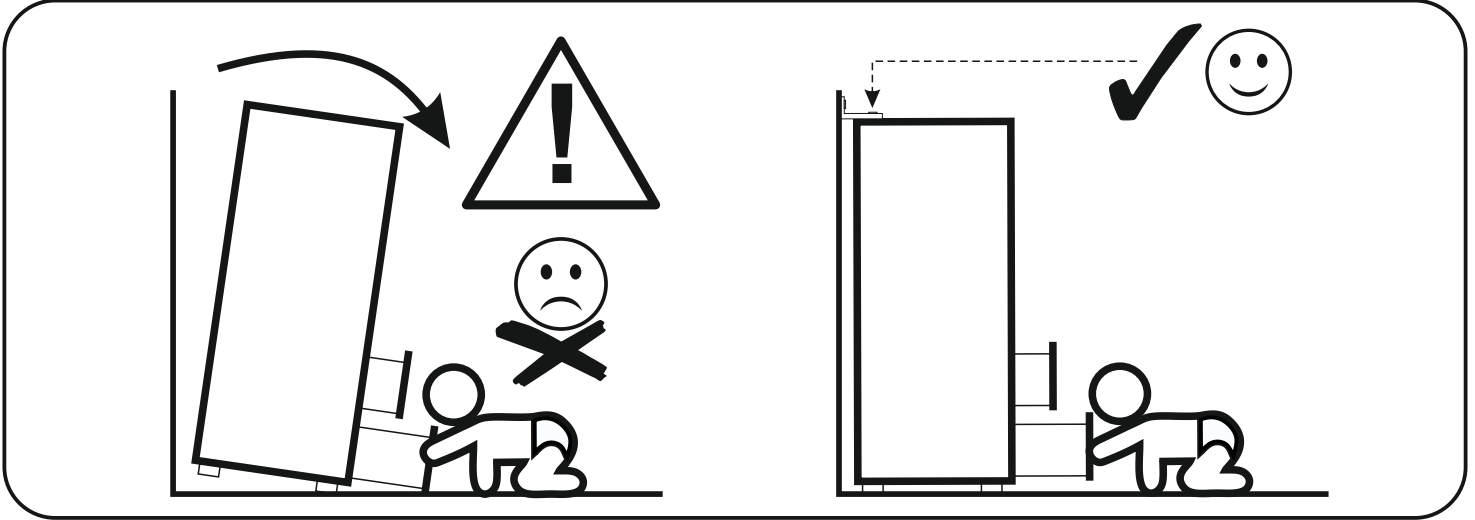
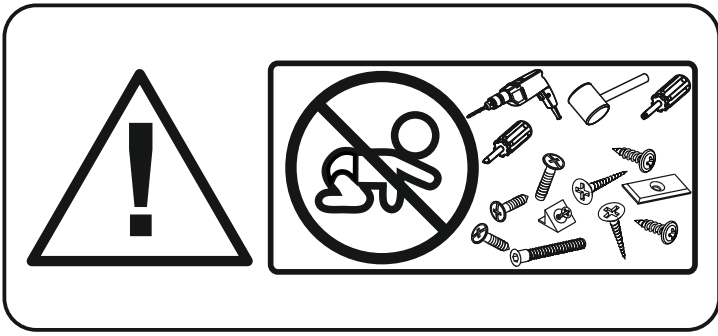


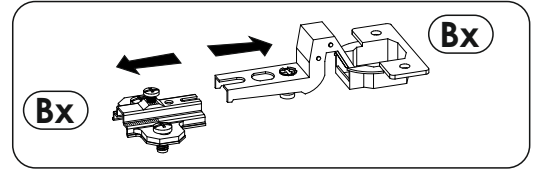
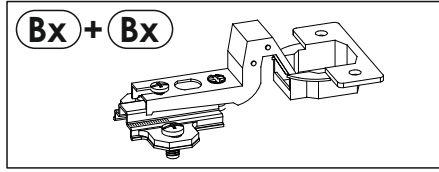
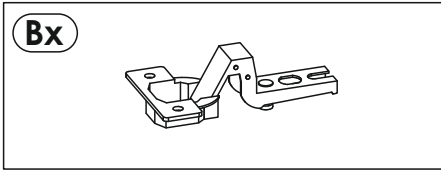
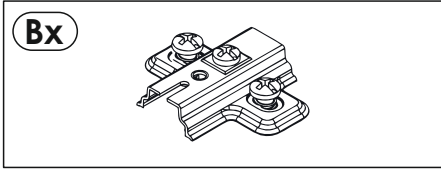
22 ▶

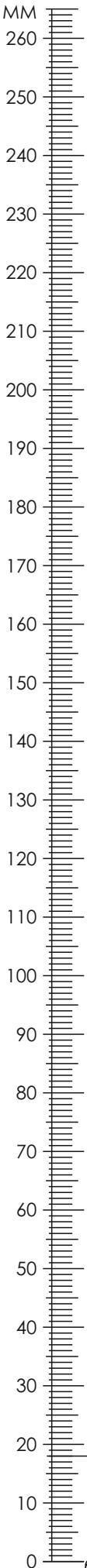


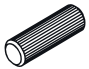
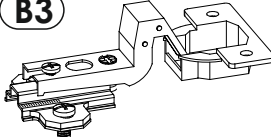
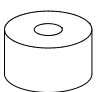
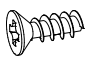
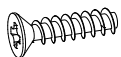
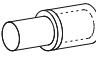
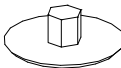

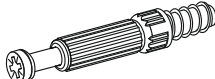
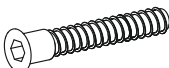
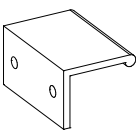
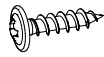
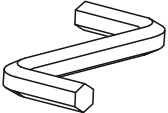




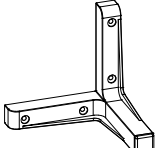
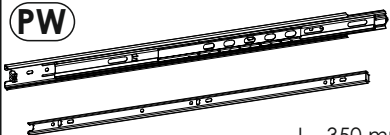

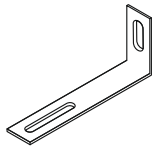

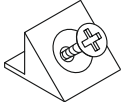
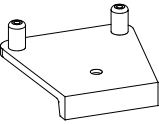
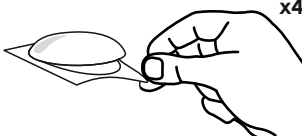
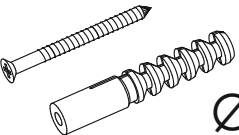
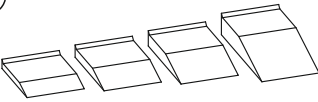


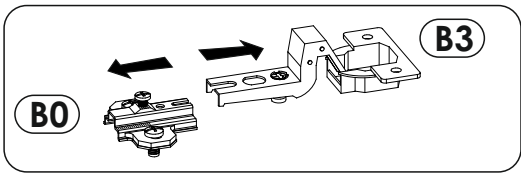


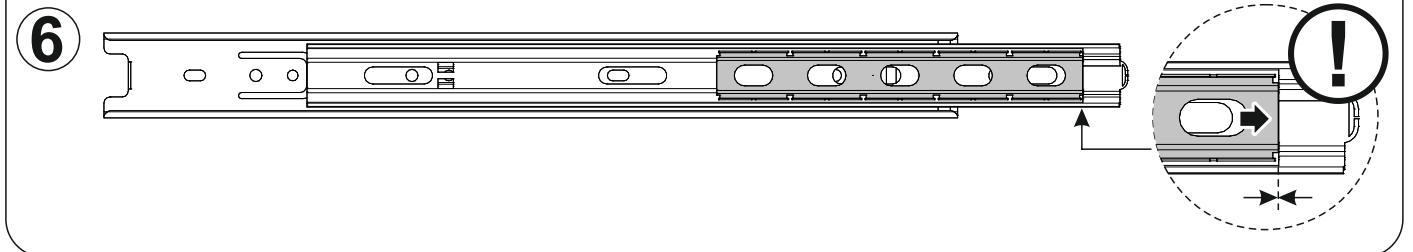
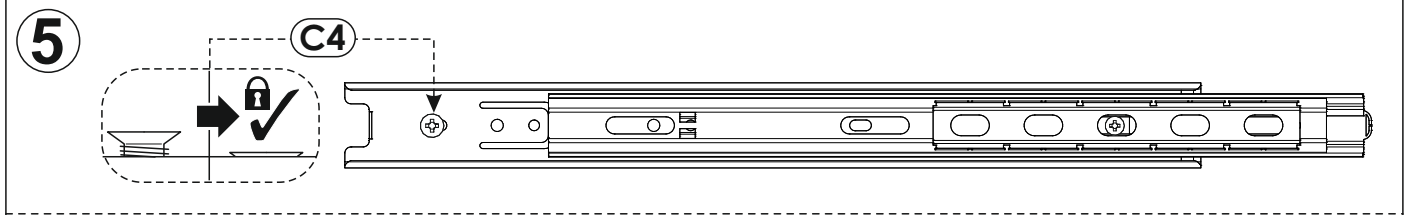
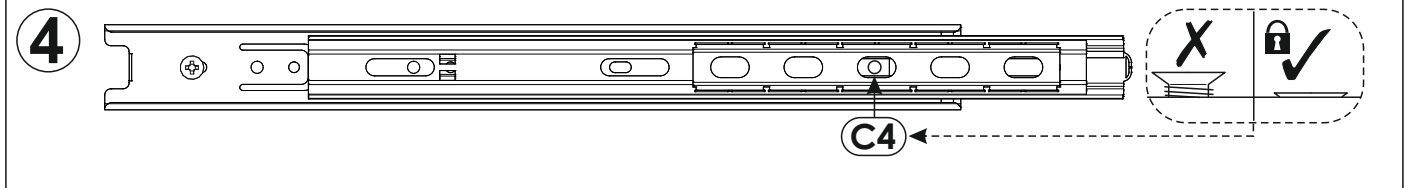
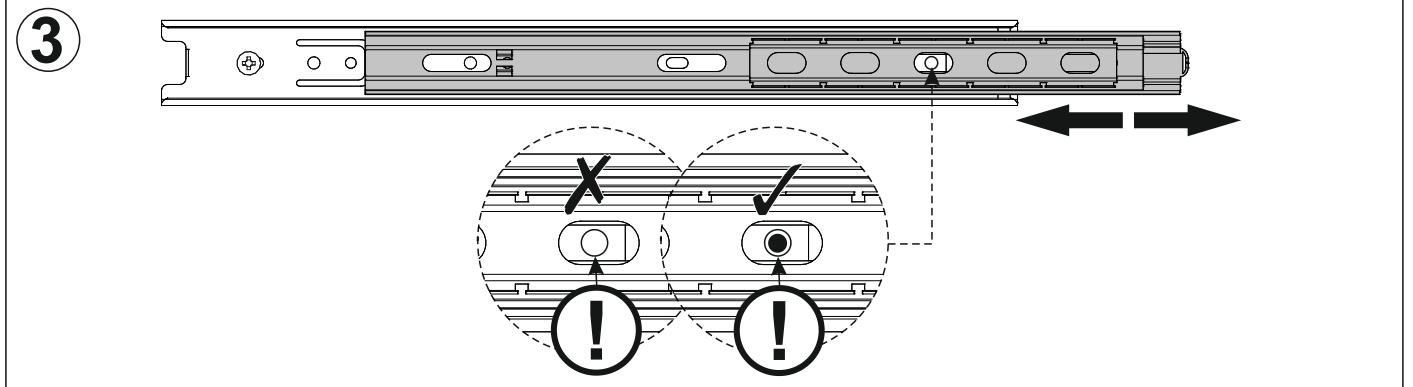
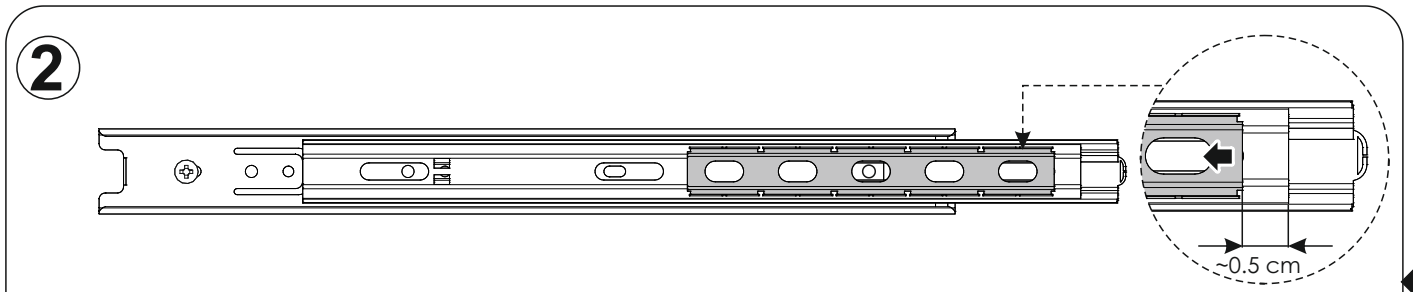
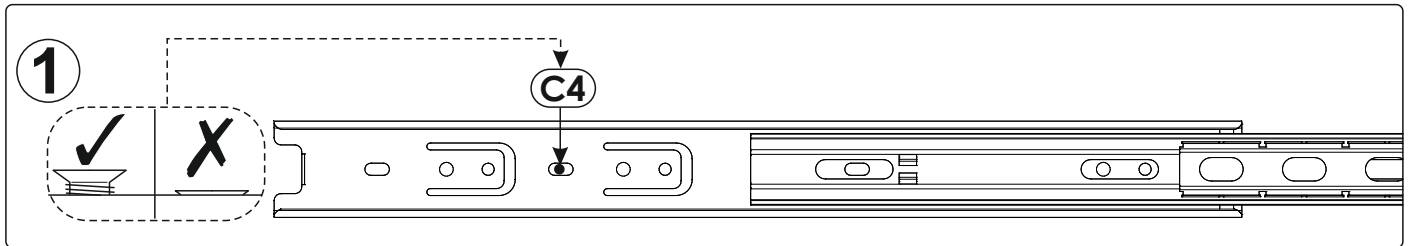
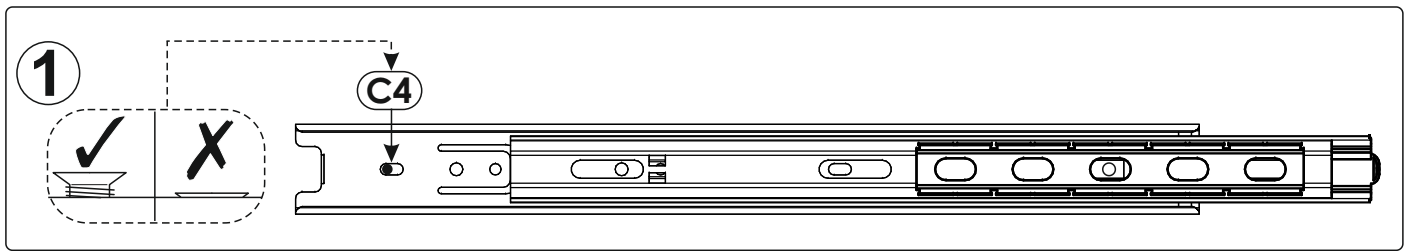


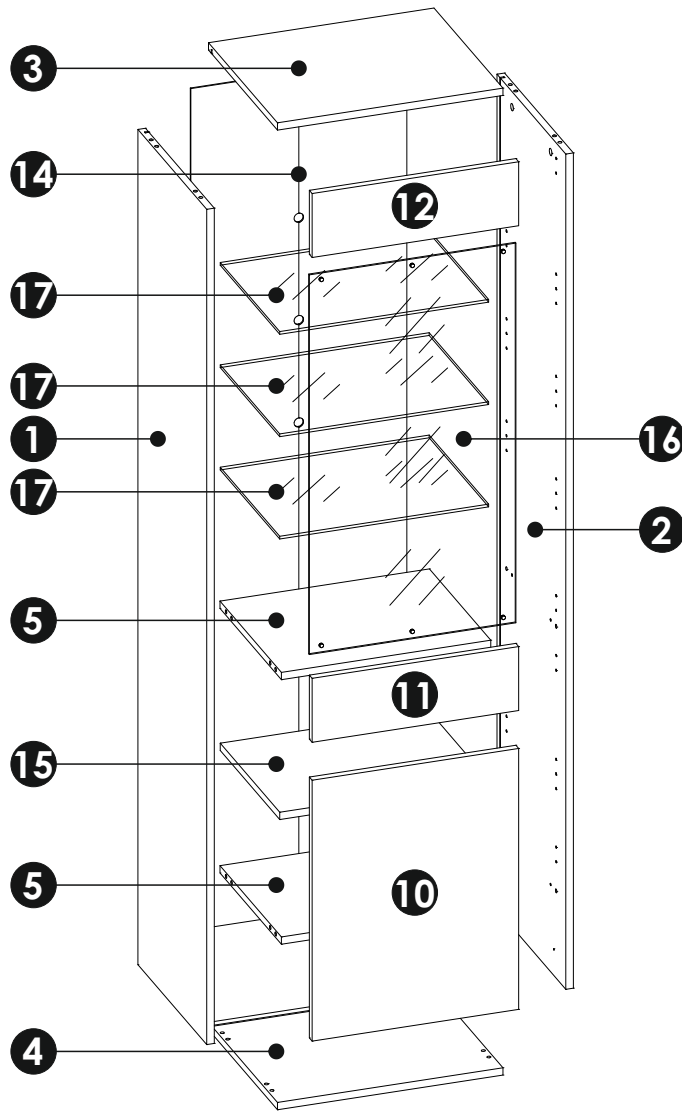
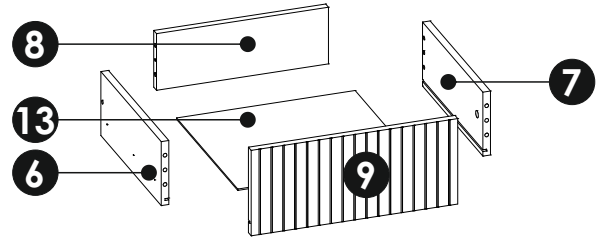
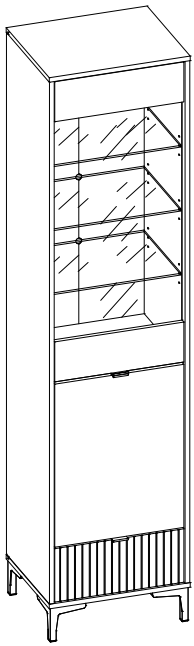




A1 8 x 35 mm x24 	B0 + B3 x4 	BD x4  H - 11 mm
C2 5 x 13 mm x8 	C4 5 x 20 mm x4 	D2 x16 
E0 Ø16 x10 	E1 15 x 12 mm x14 	F1 6 x 34 mm x14 
G1 7 x 50 mm x6 	H1 x3  L - 50 mm	I2 4 x 16 mm x7 
M x1 	N1 3 x 16 mm x15 	N4 3,5 x 13 mm x10 
N5 3,5 x 16 mm x6 	N7 3,5 x 30 mm x16 	O12 x4 
PW x1  L - 350 mm	P15 x3 	Q9 x1 
R3 x6 	R4 x13 	R5 x4 
R8 x4 	S13 x1  Ø8	Z x1 



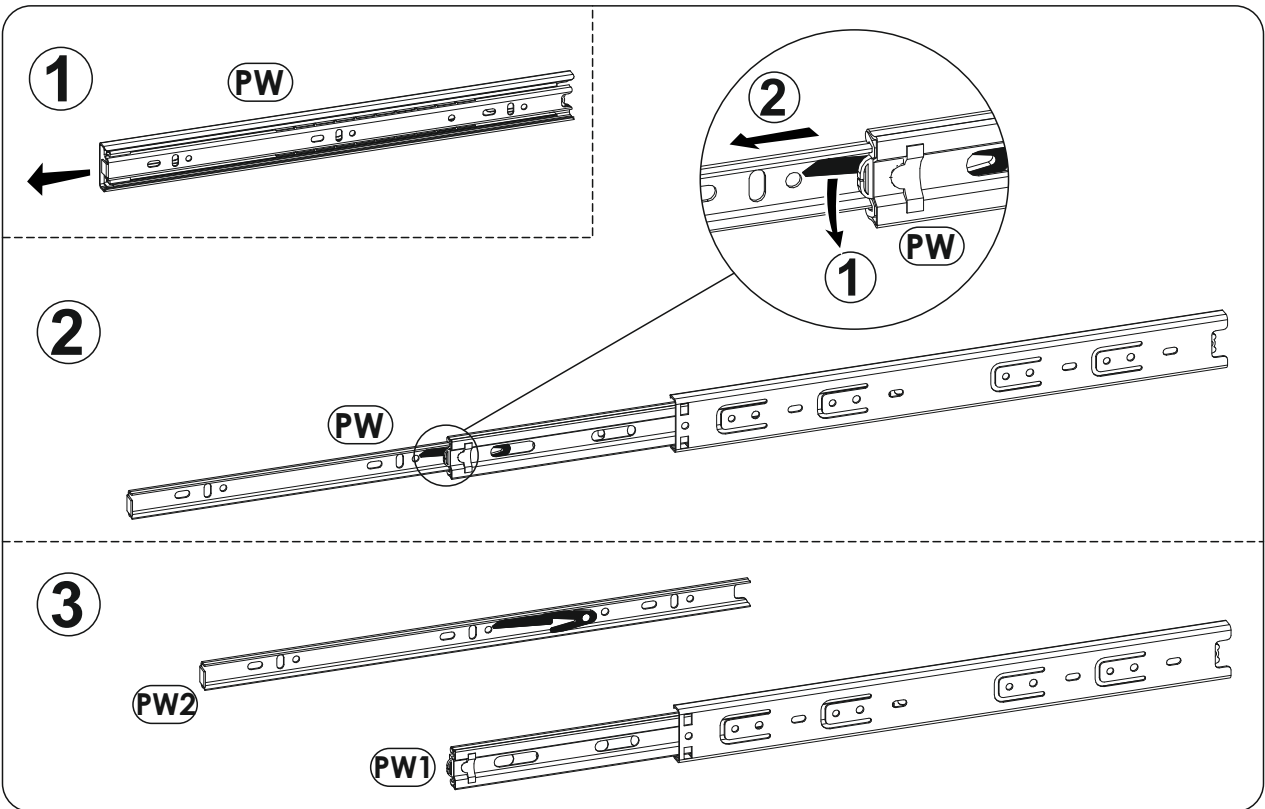
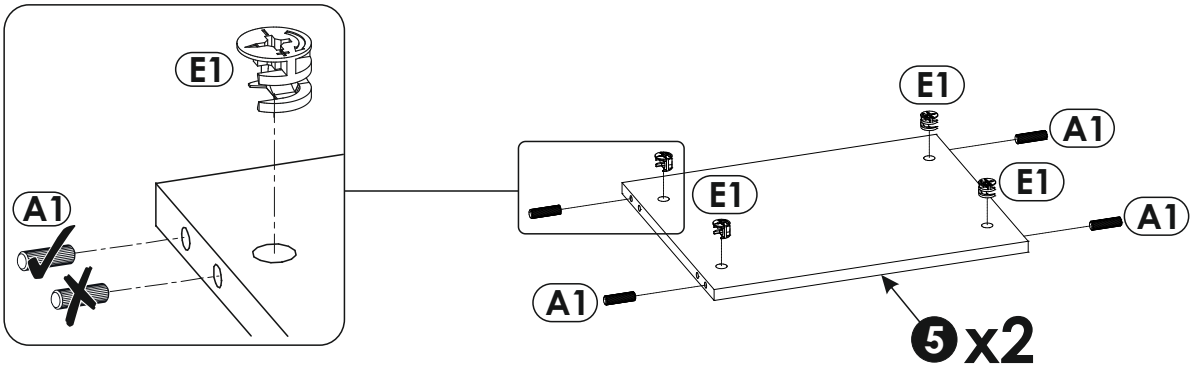
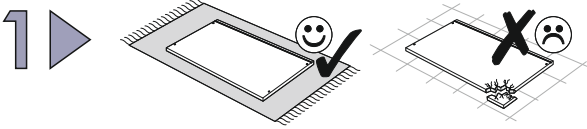




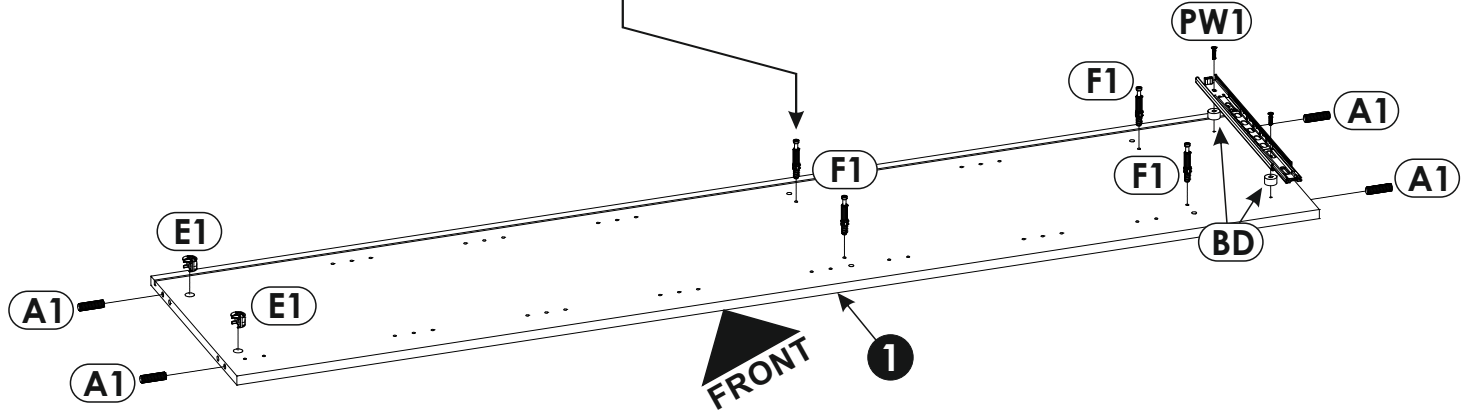
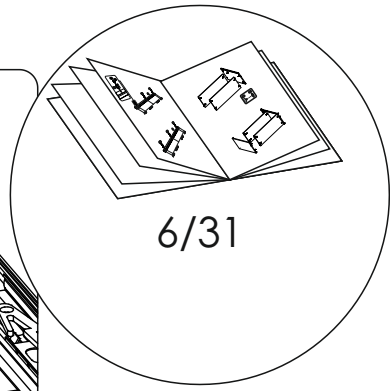
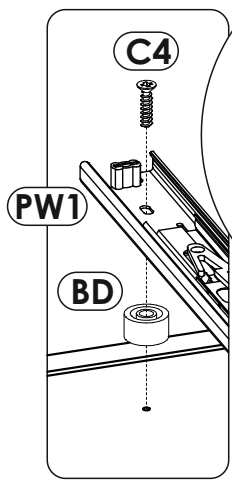
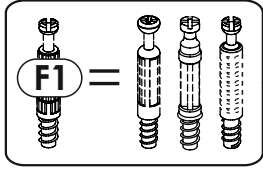
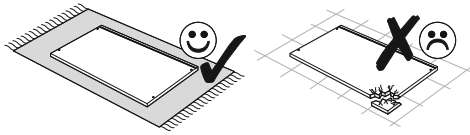
1	1828	399	16	x1	2/2
2	1828	399	16	x1	2/2
3	476	400	16	x1	1/2
4	476	400	16	x1	1/2
5	442	356	16	x2	1/2
6	350	140	16	x1	1/2

7	350	140	16	x1	1/2
8	363	124	16	x1	1/2
9	187	436	16	x1	2/2
10	571	436	16	x1	2/2
11	436	140	16	x1	2/2
12	436	140	16	x1	2/2

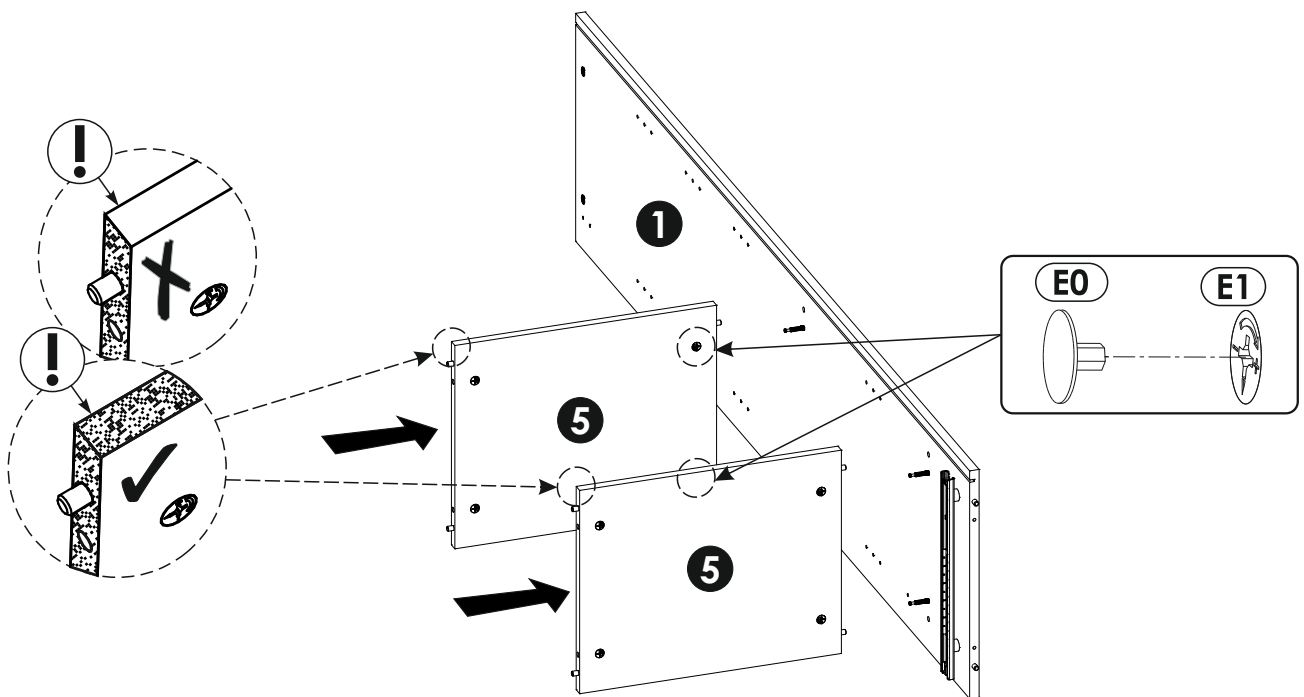
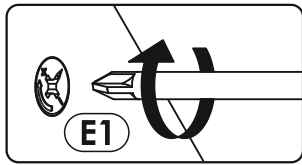
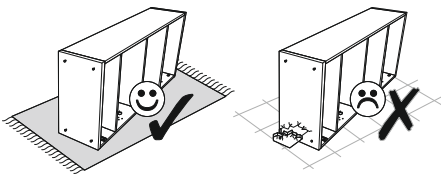
13	377	355	3	x1	1/2
14	1842	456	3	x1	2/2
15	441	345	16	x1	1/2
16	831	436	4	x1	2/2
17	441	345	6	x3	1/2



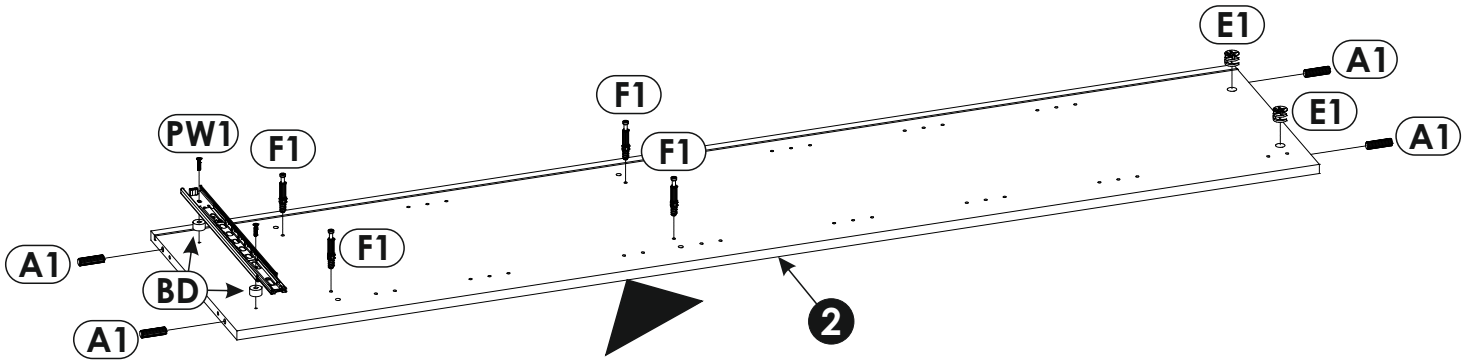
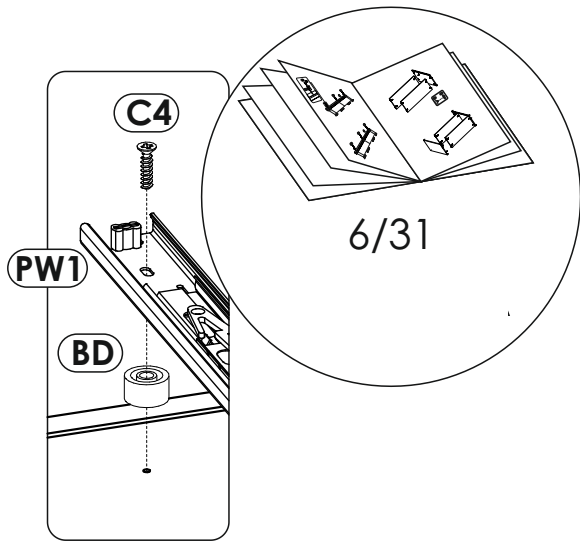
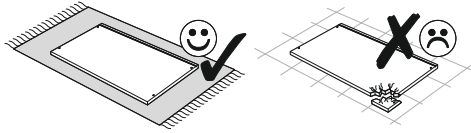
2 ▶



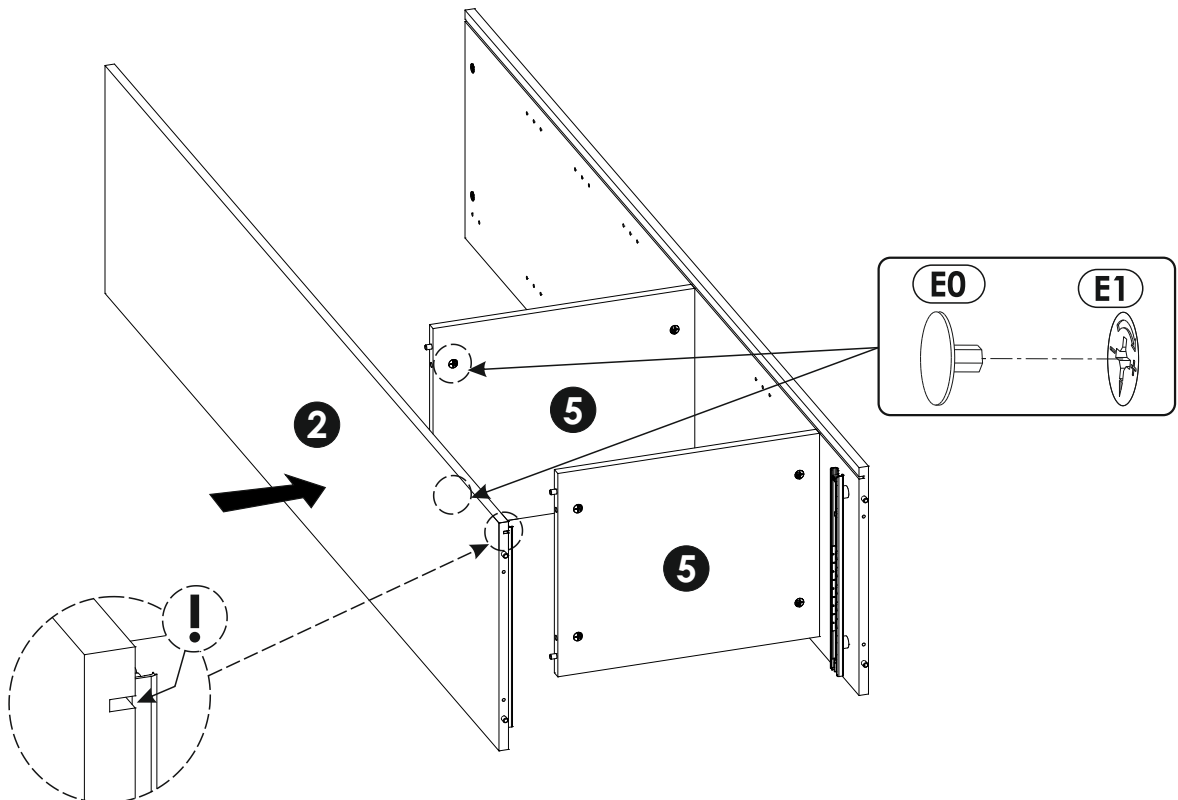
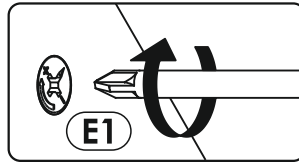
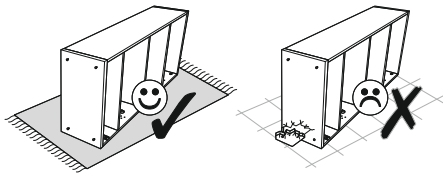
3 ▶



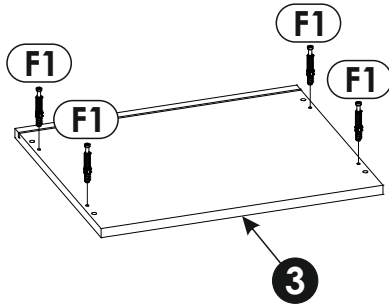
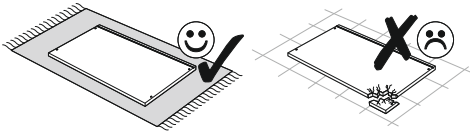
4



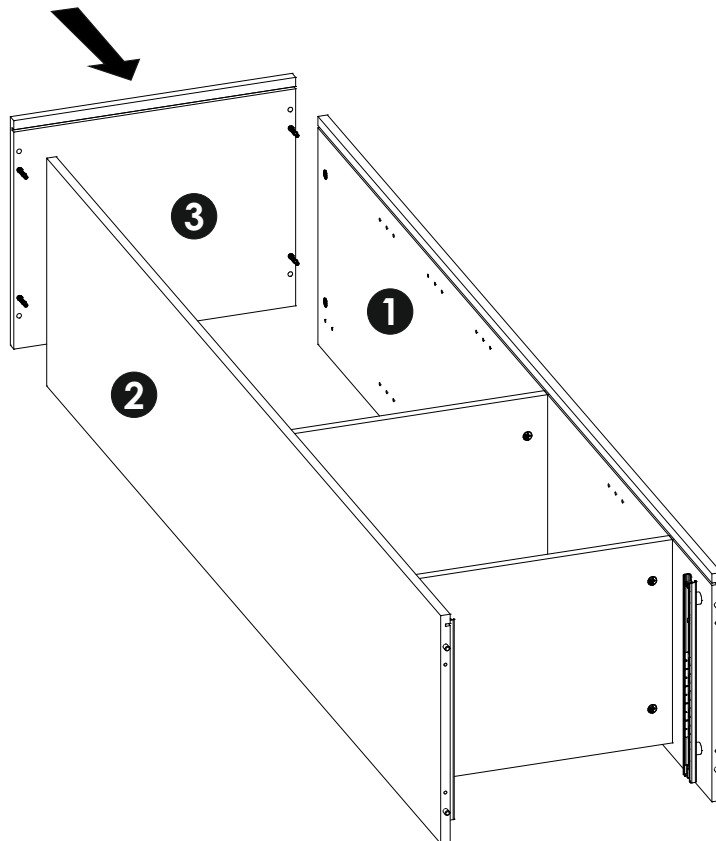
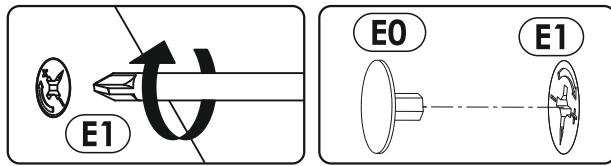
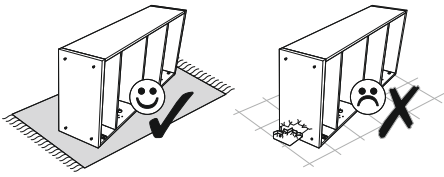
5

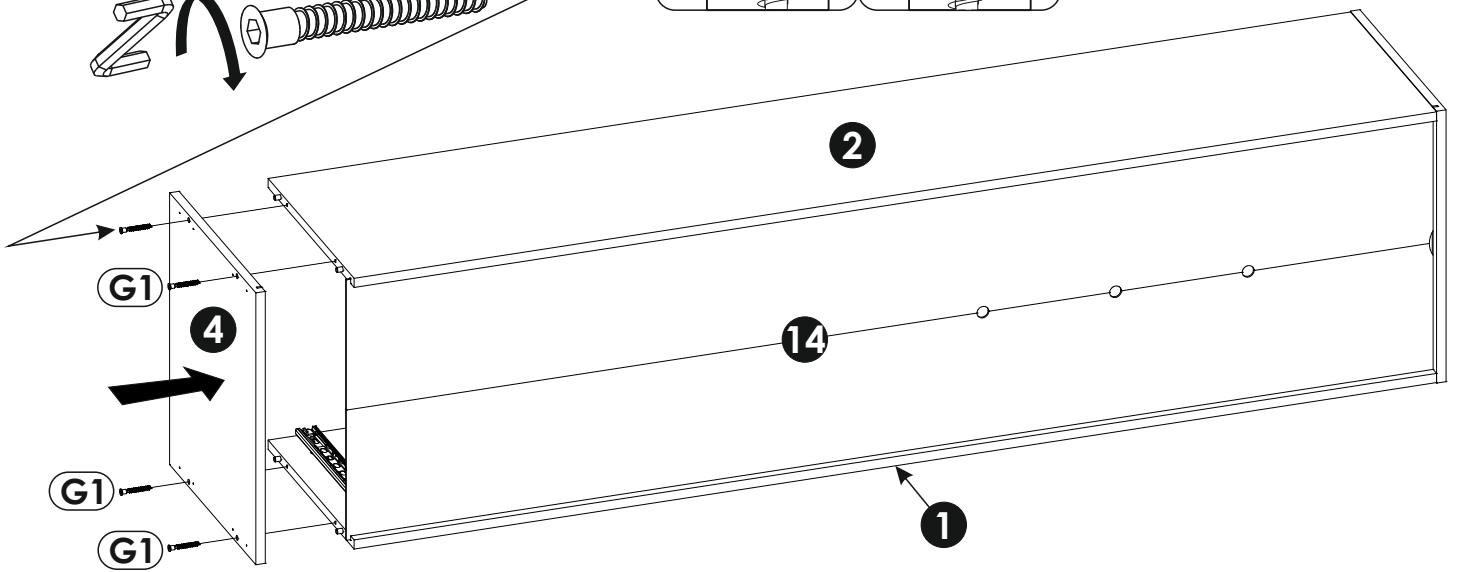
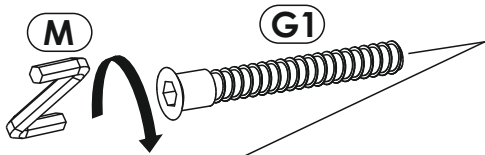
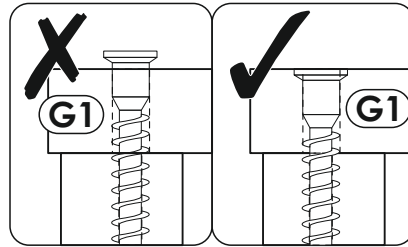
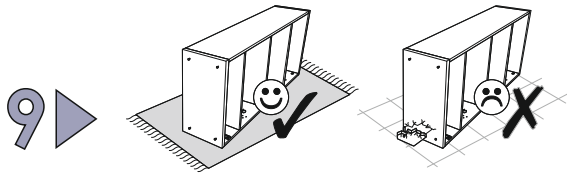
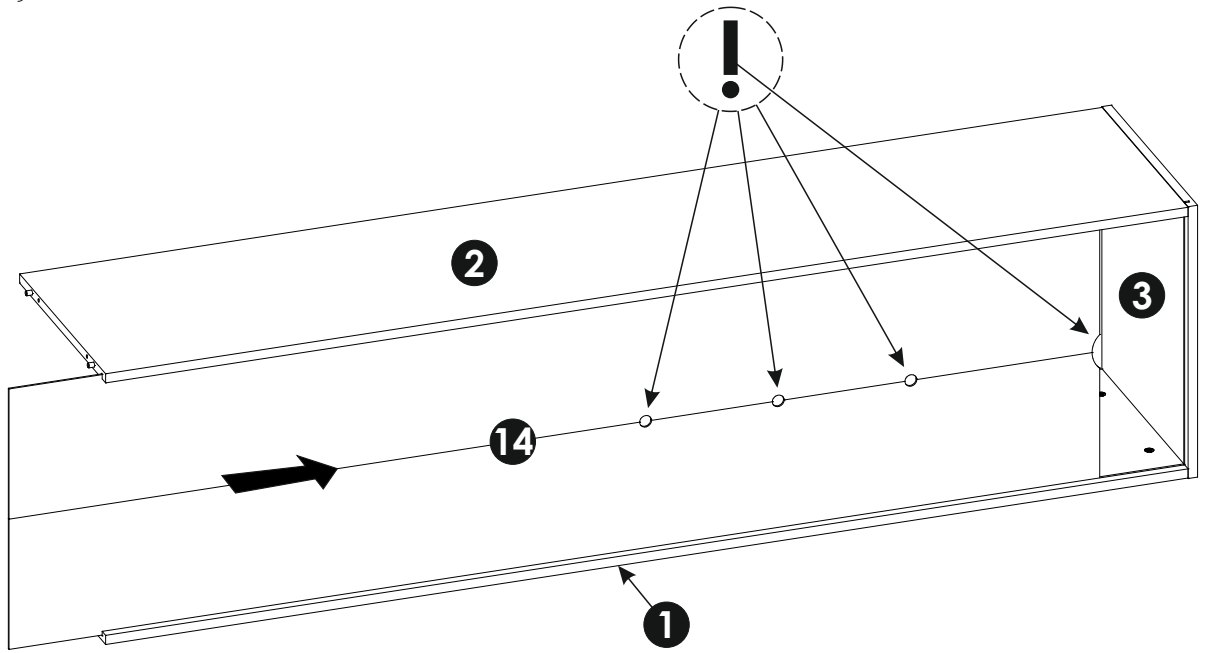
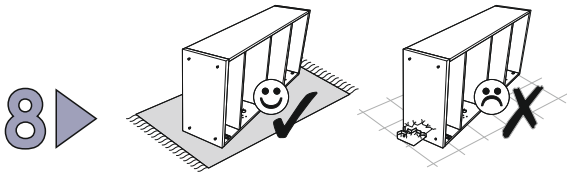


6 ▶

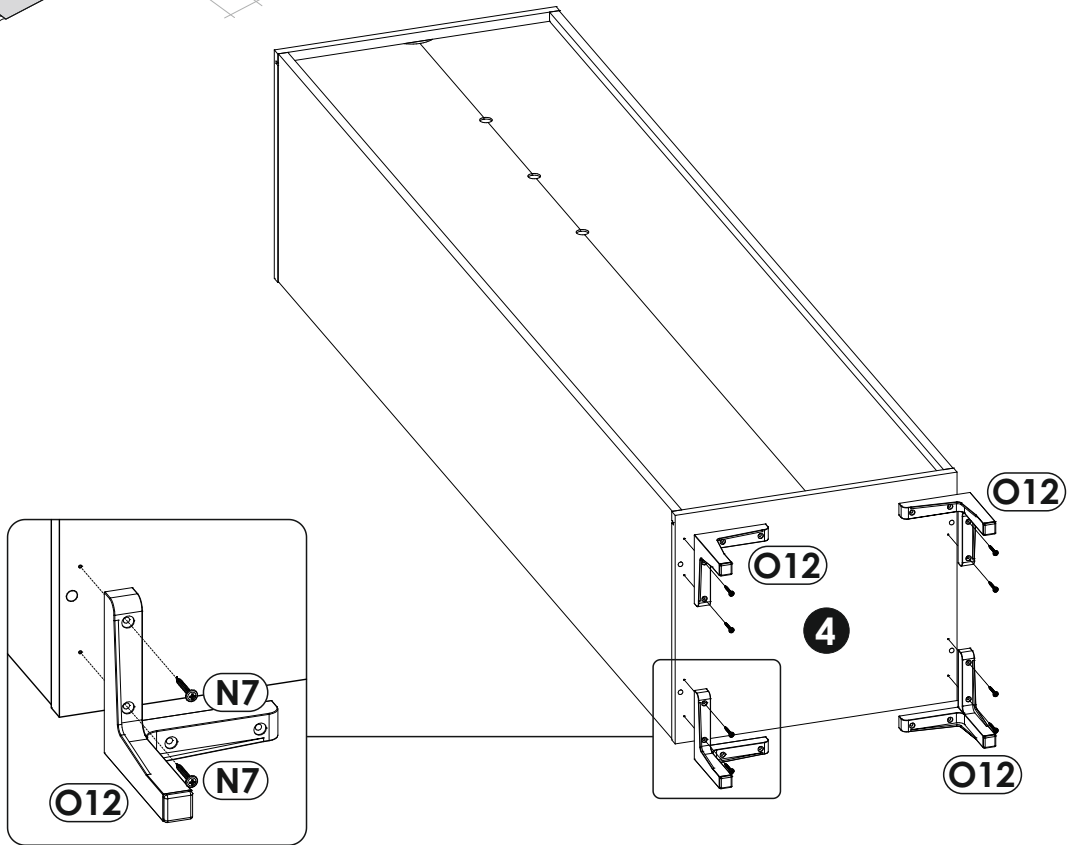
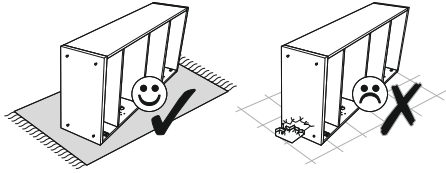


7 ▶

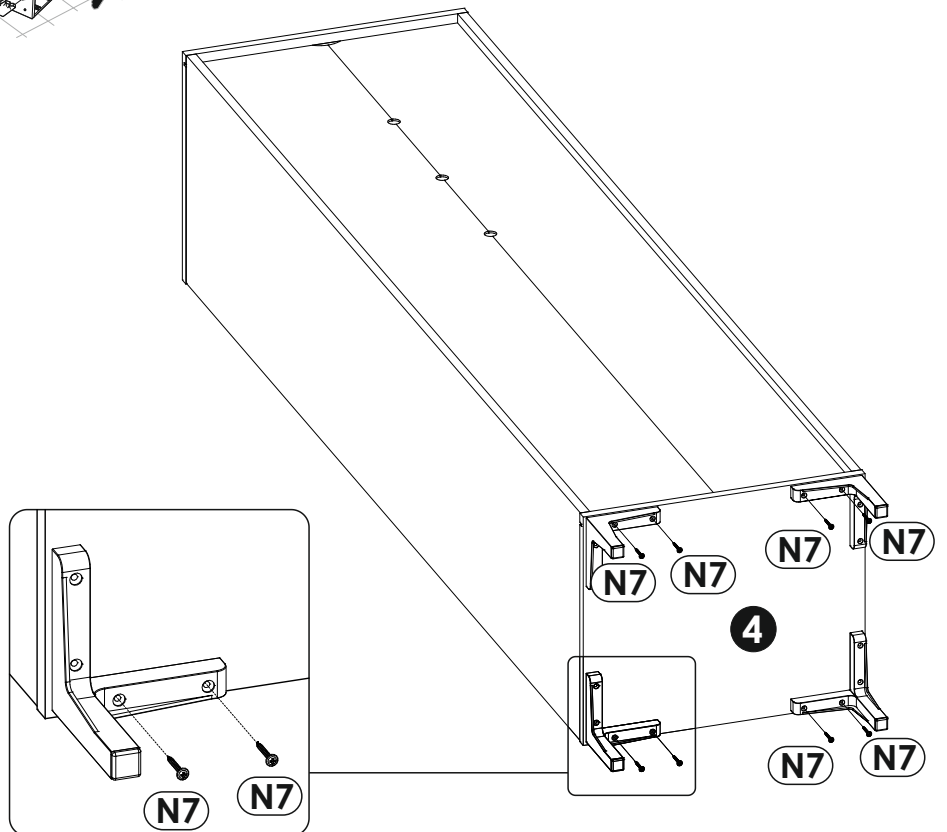
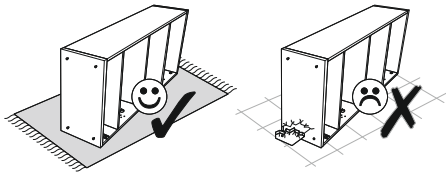




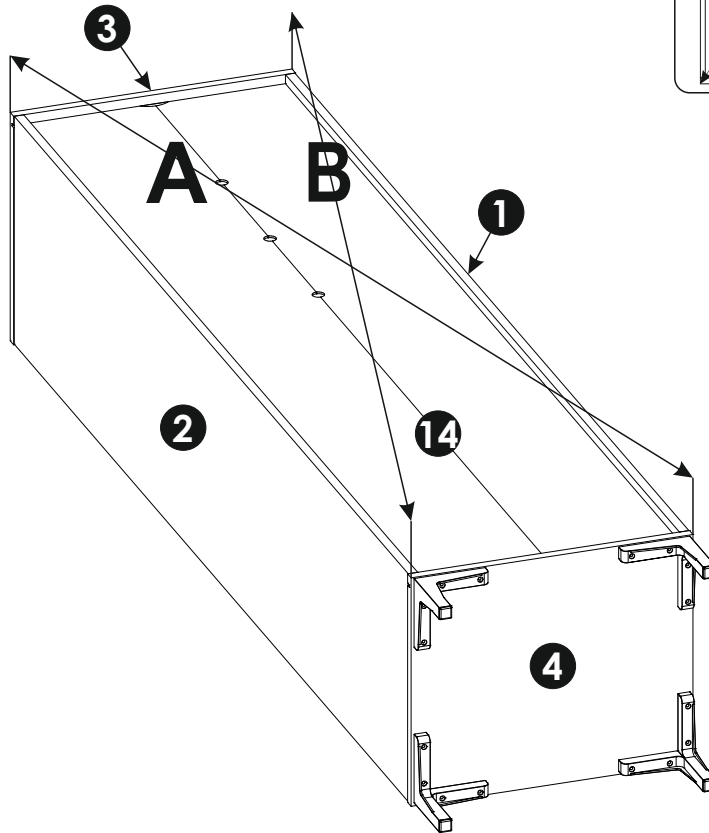
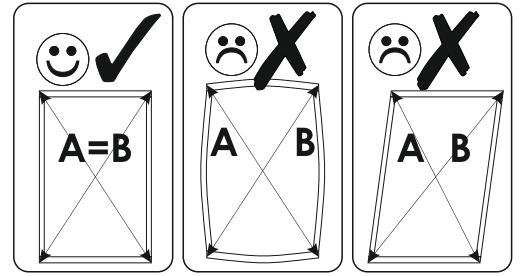
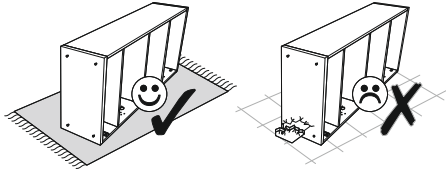
10 ▶



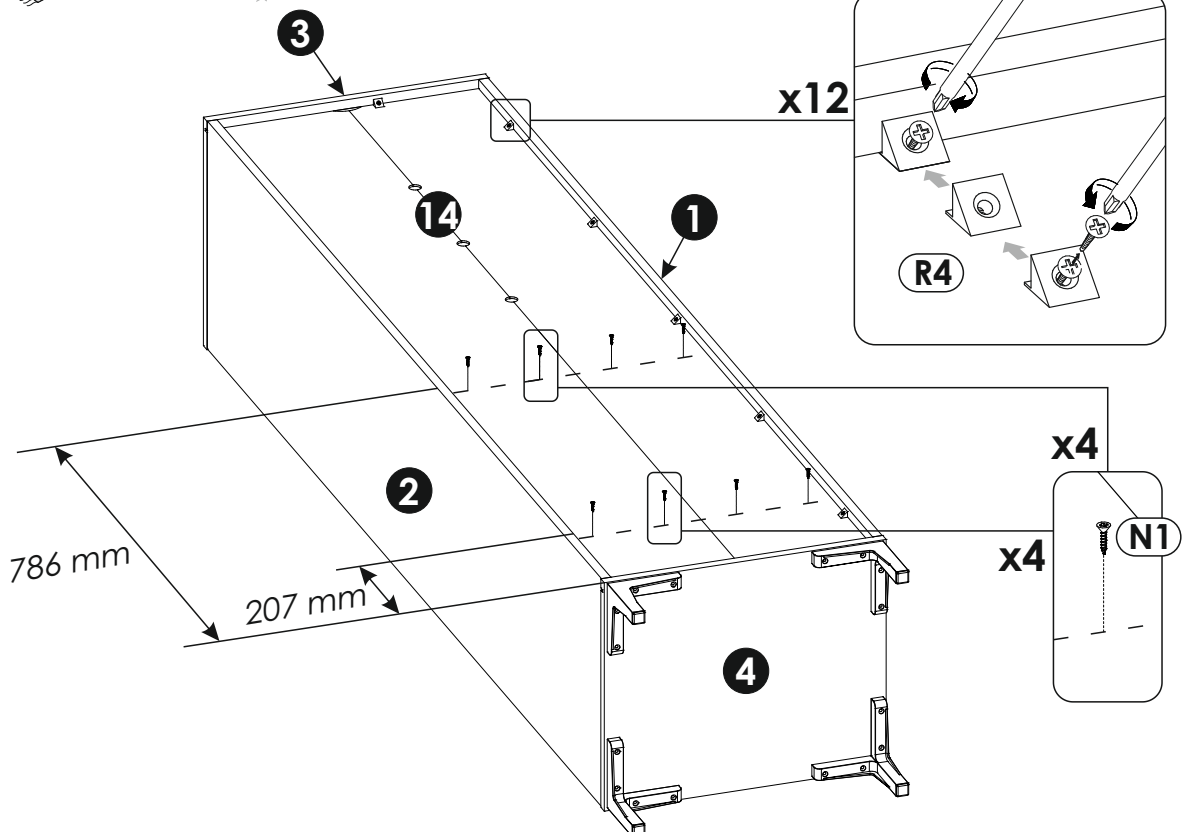
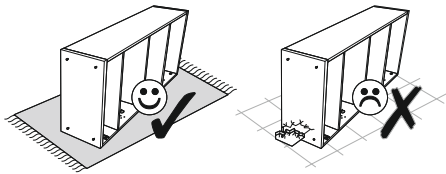
11 ▶



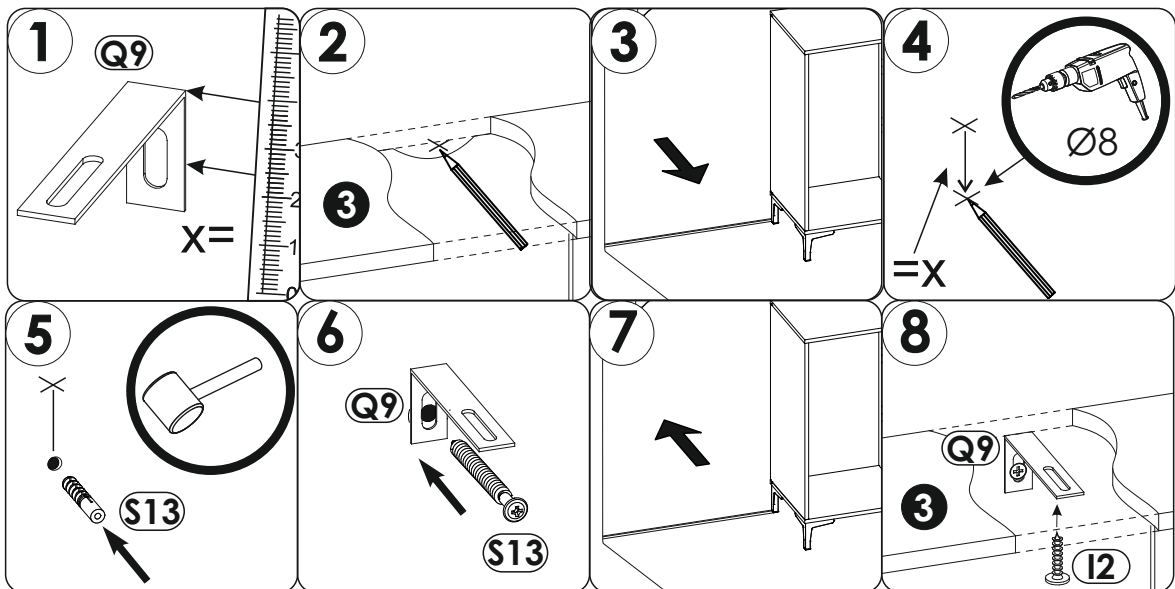
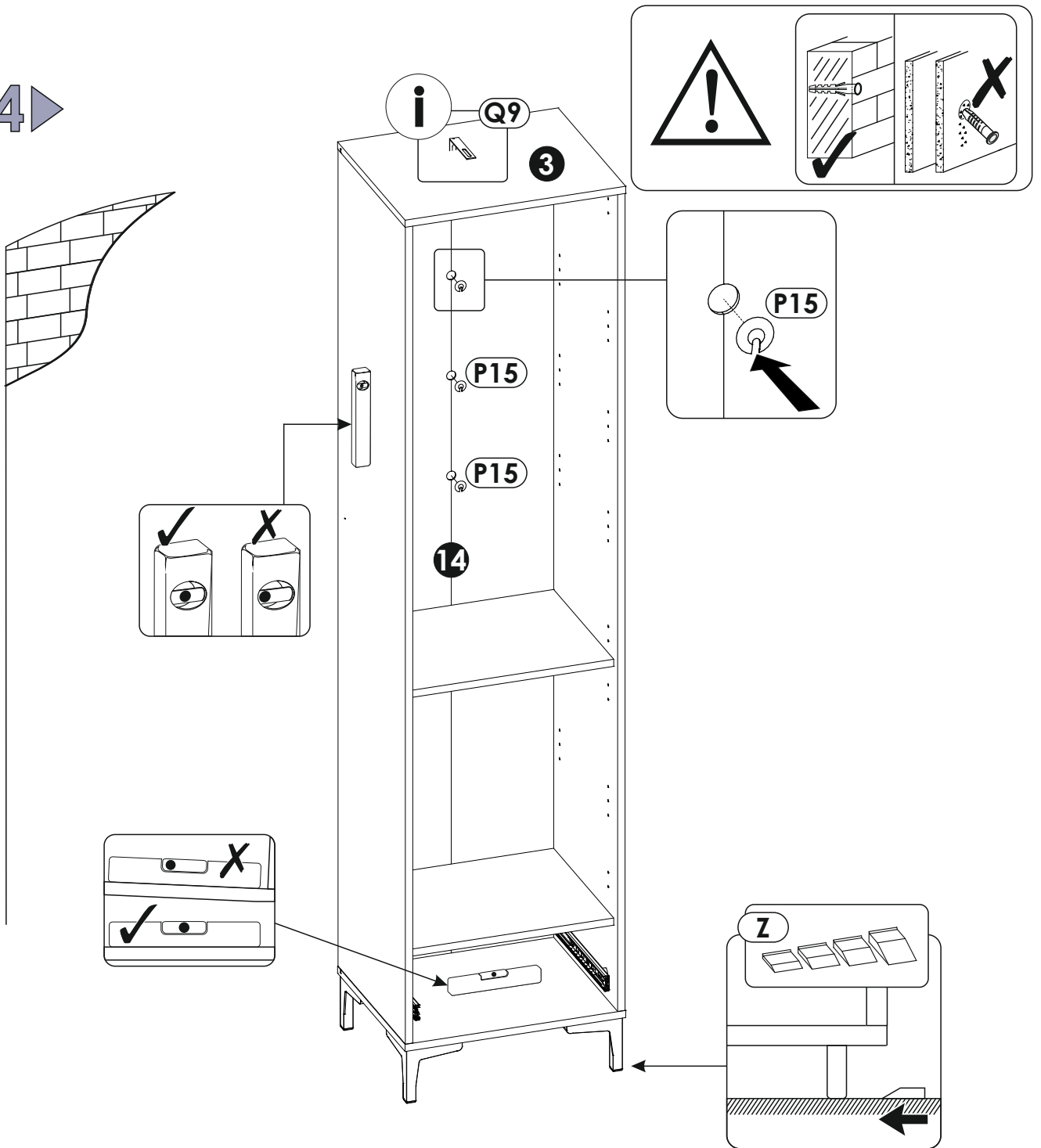
12 ▶

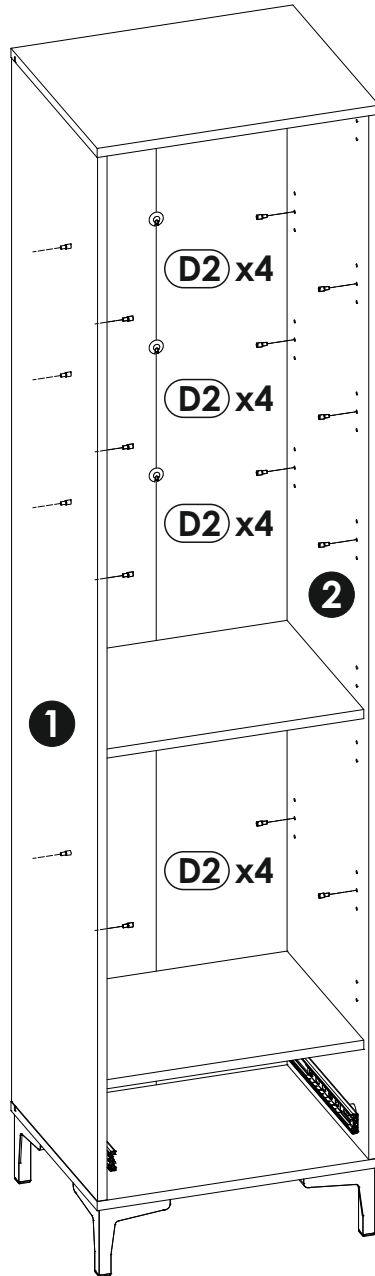
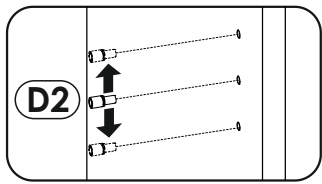


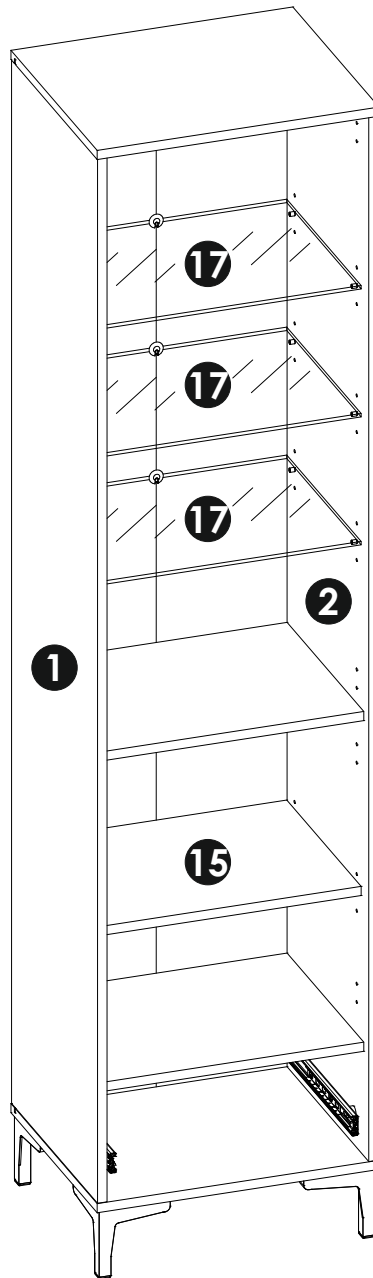
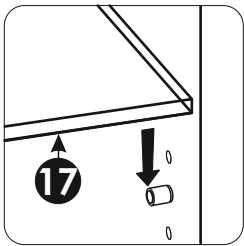
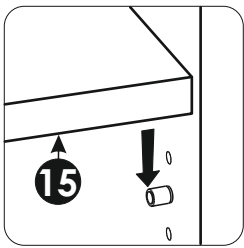
13 ▶



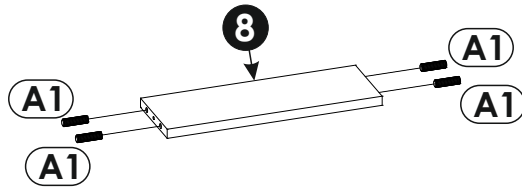
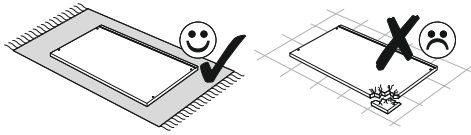
14



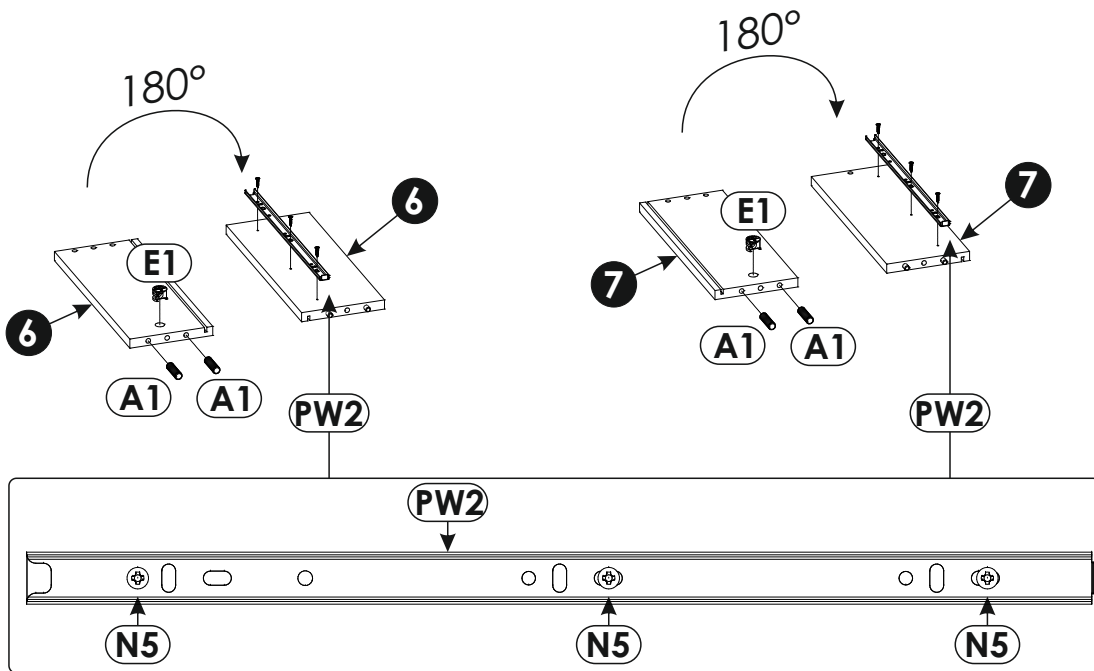
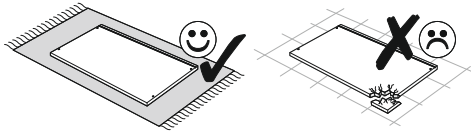




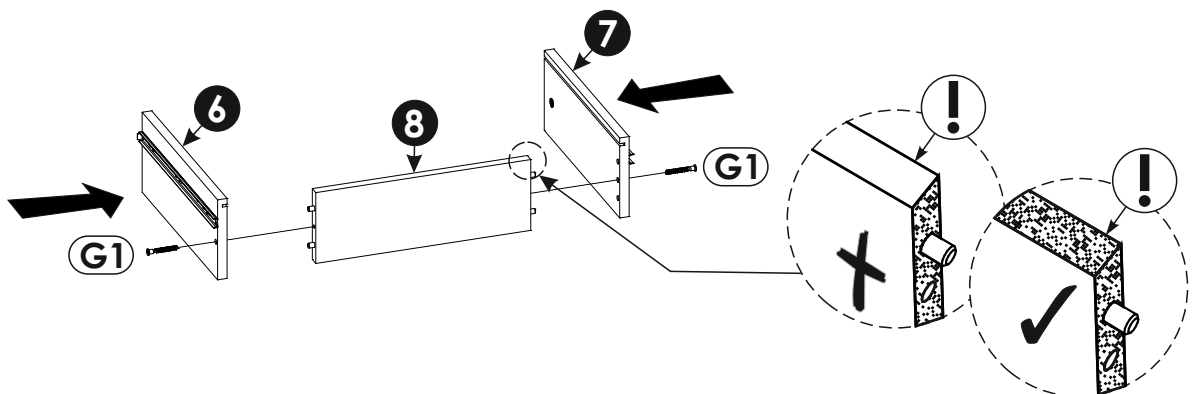
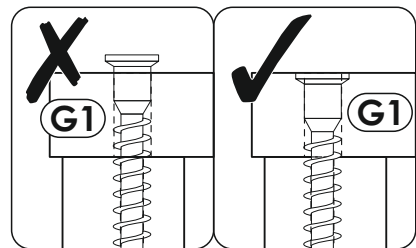
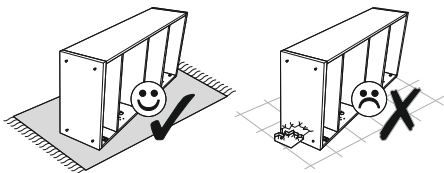
17▶



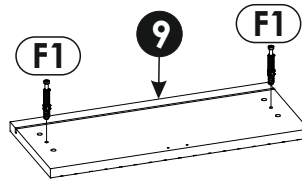
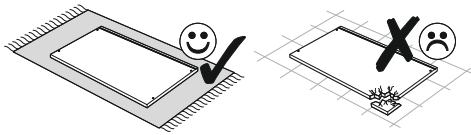
18▶



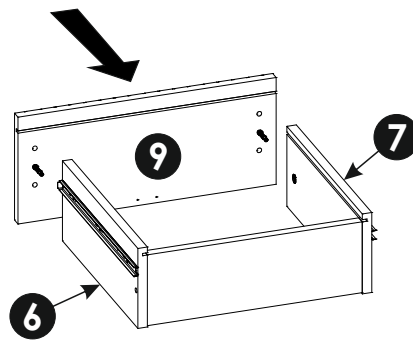
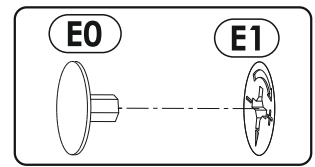
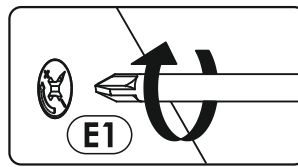
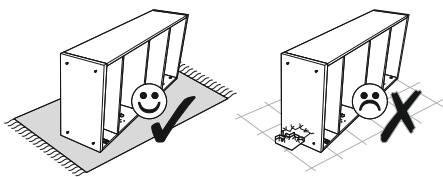
19▶



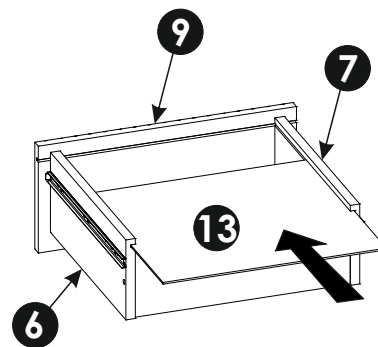
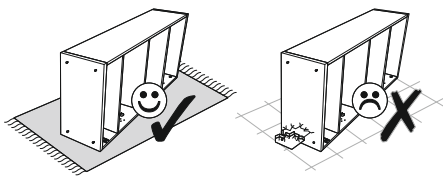
20 ▶



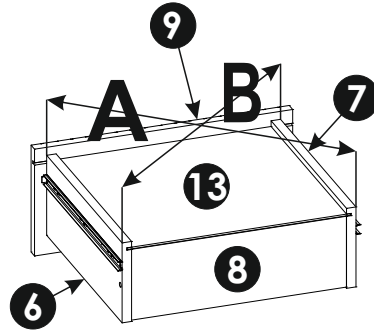
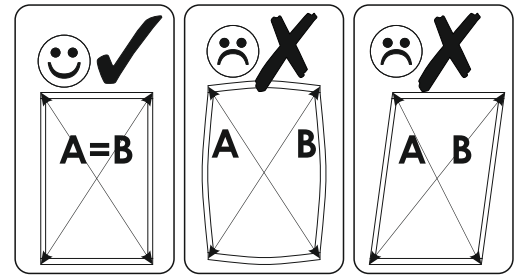
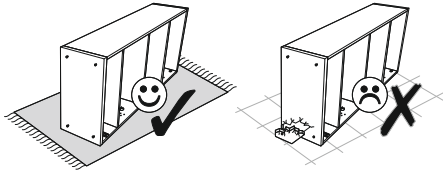
21 ▶



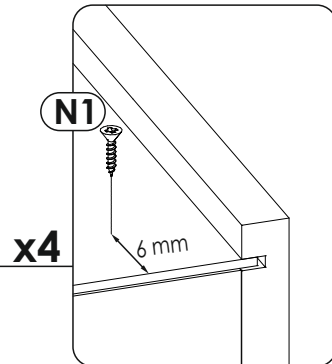
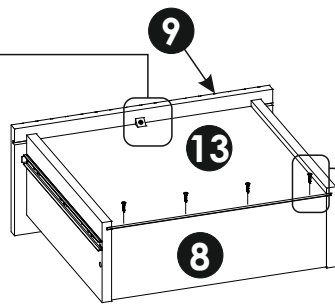
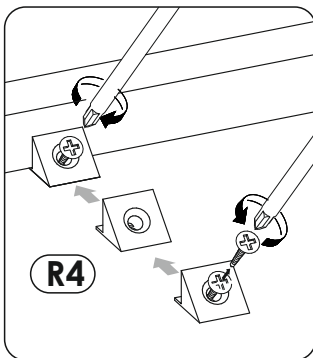
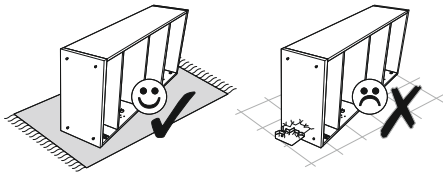
22 ▶



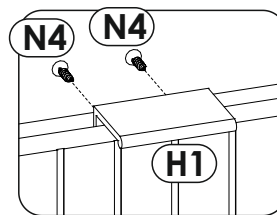
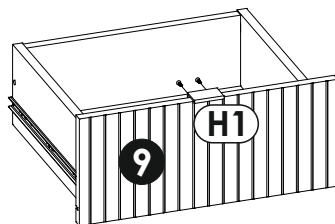
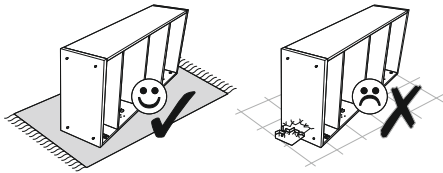
23 ▶

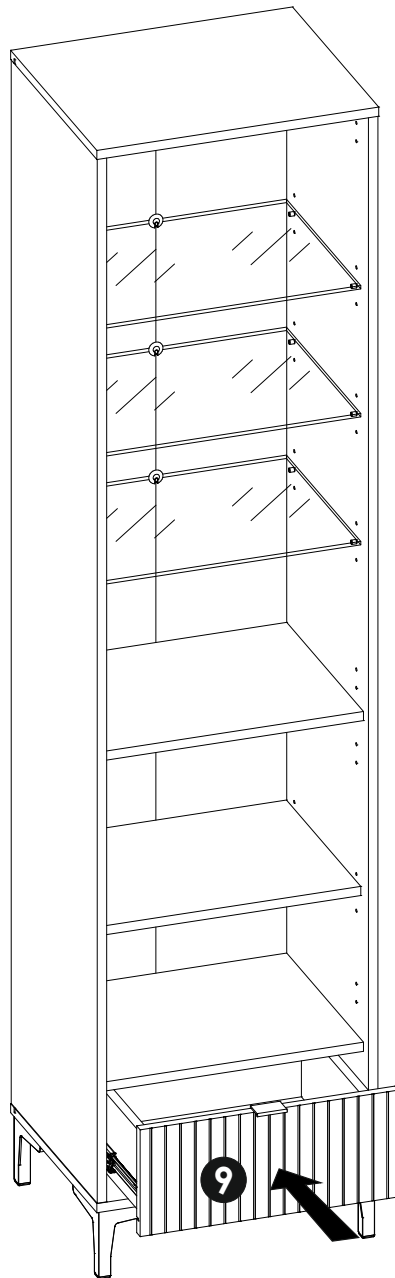
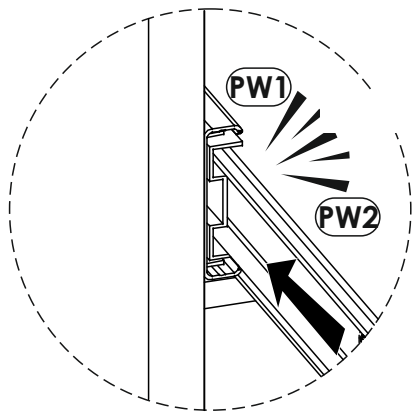


24 ▶



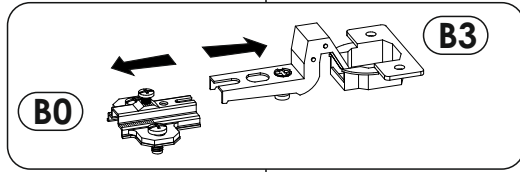
25 ▶



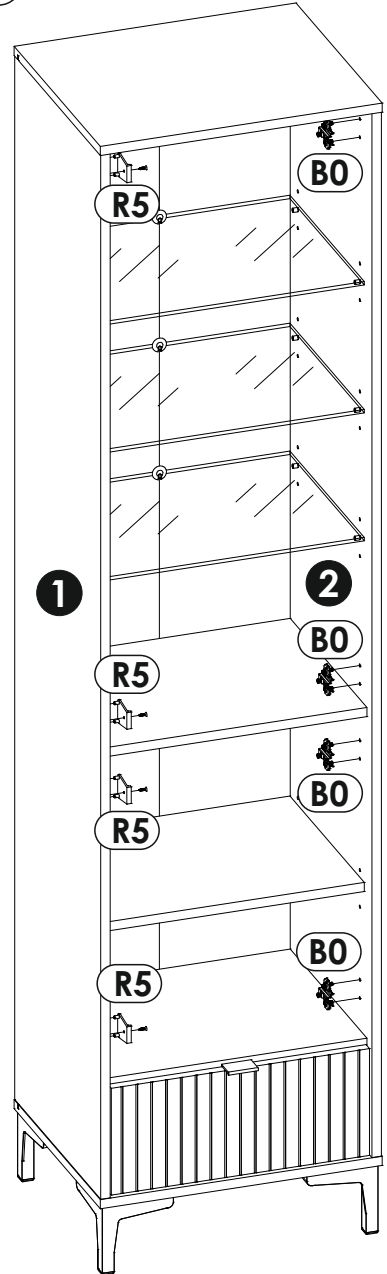
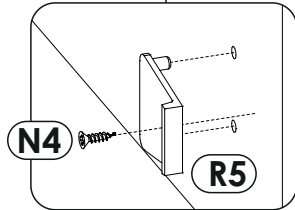
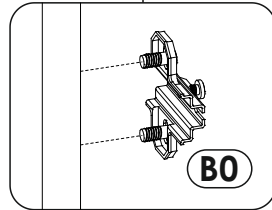
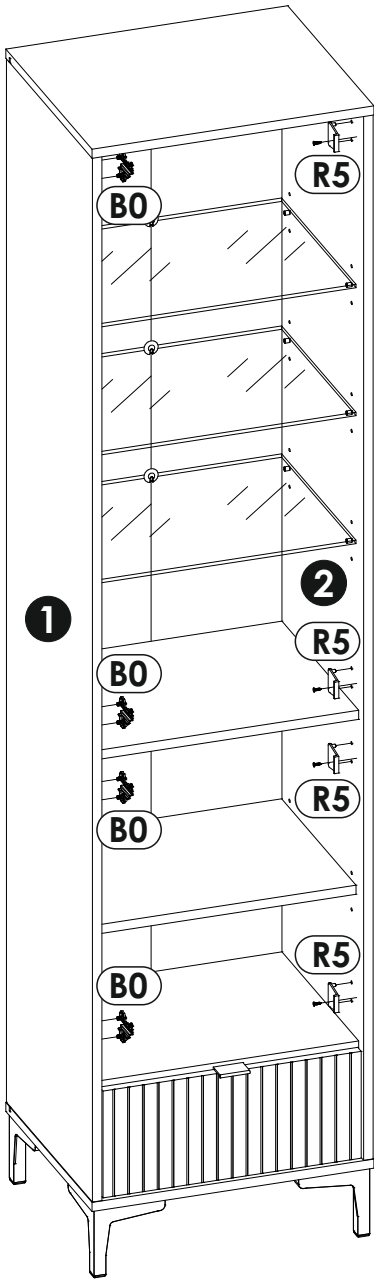


27 ▶

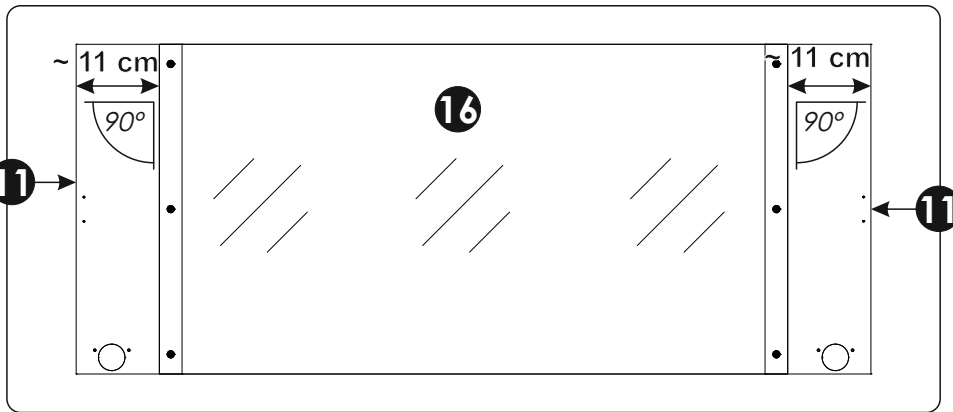
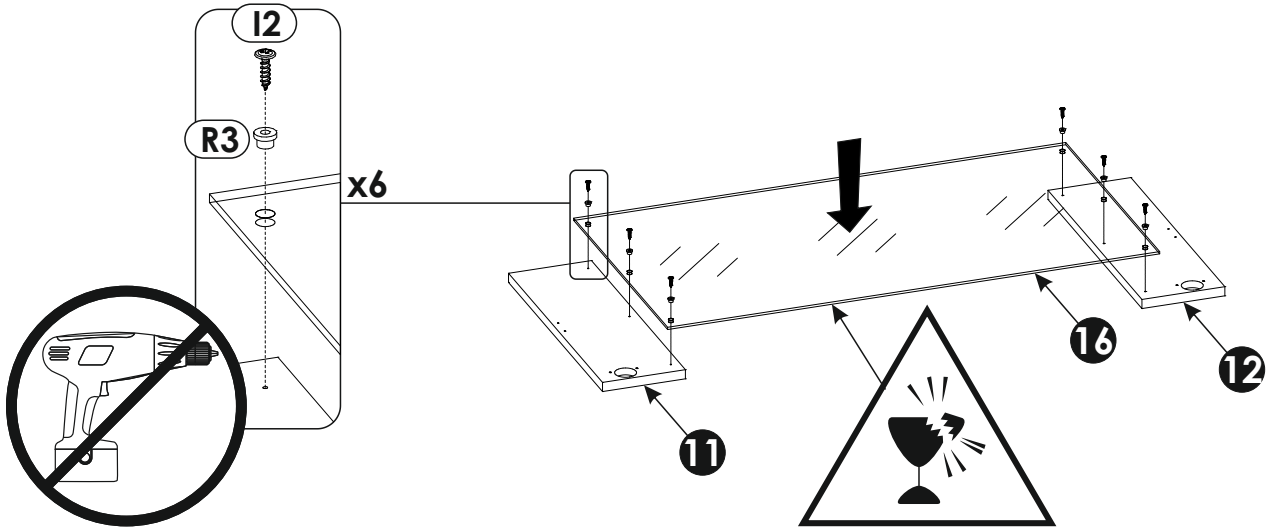
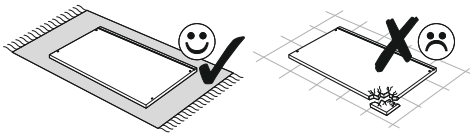
L



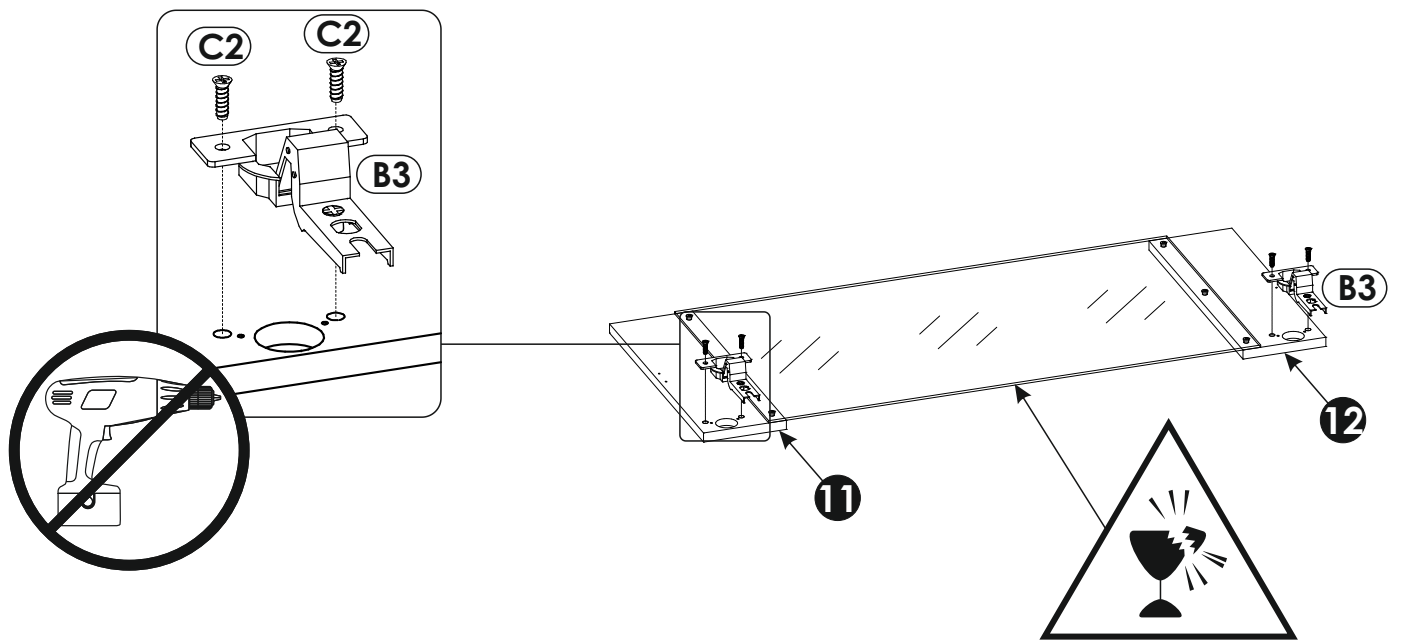
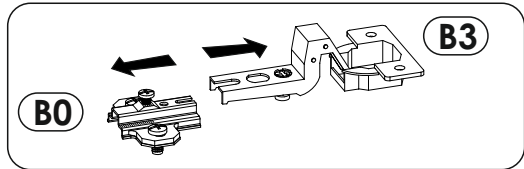
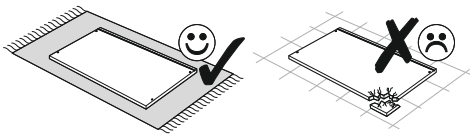
R



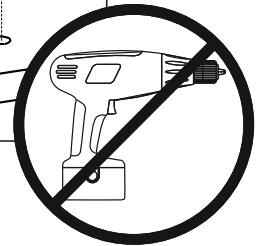
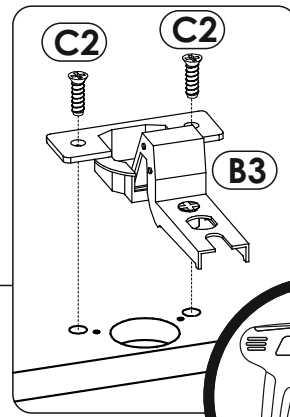
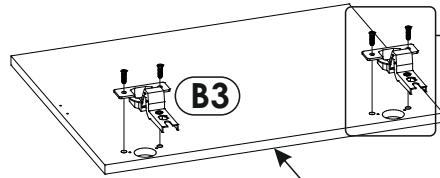
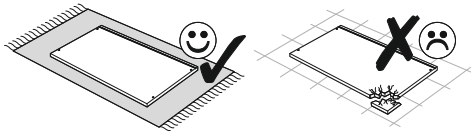
28 ▶



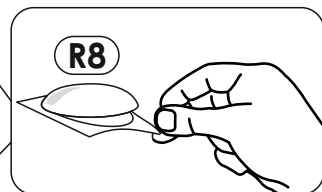
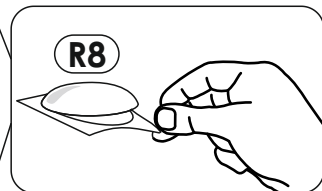
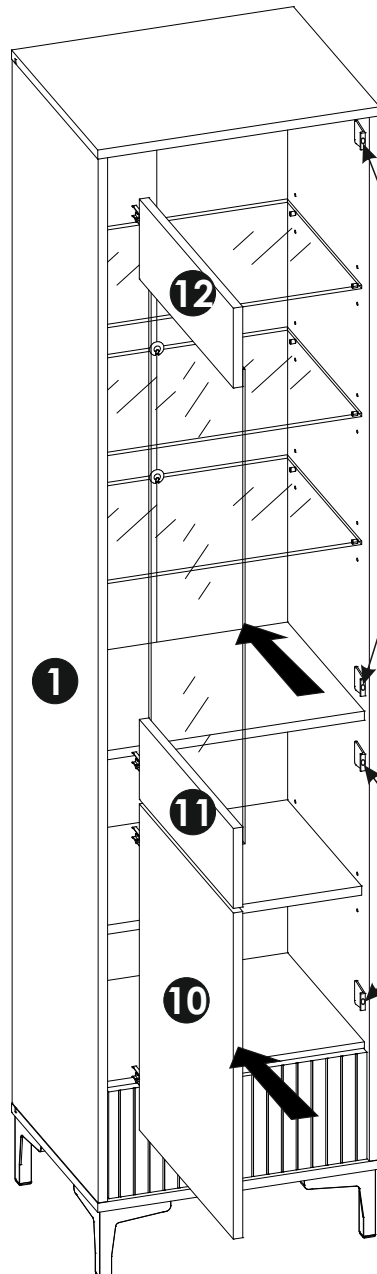
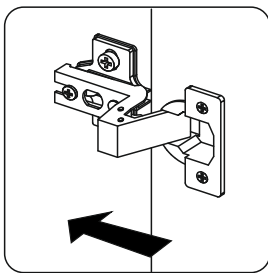
29 ▶



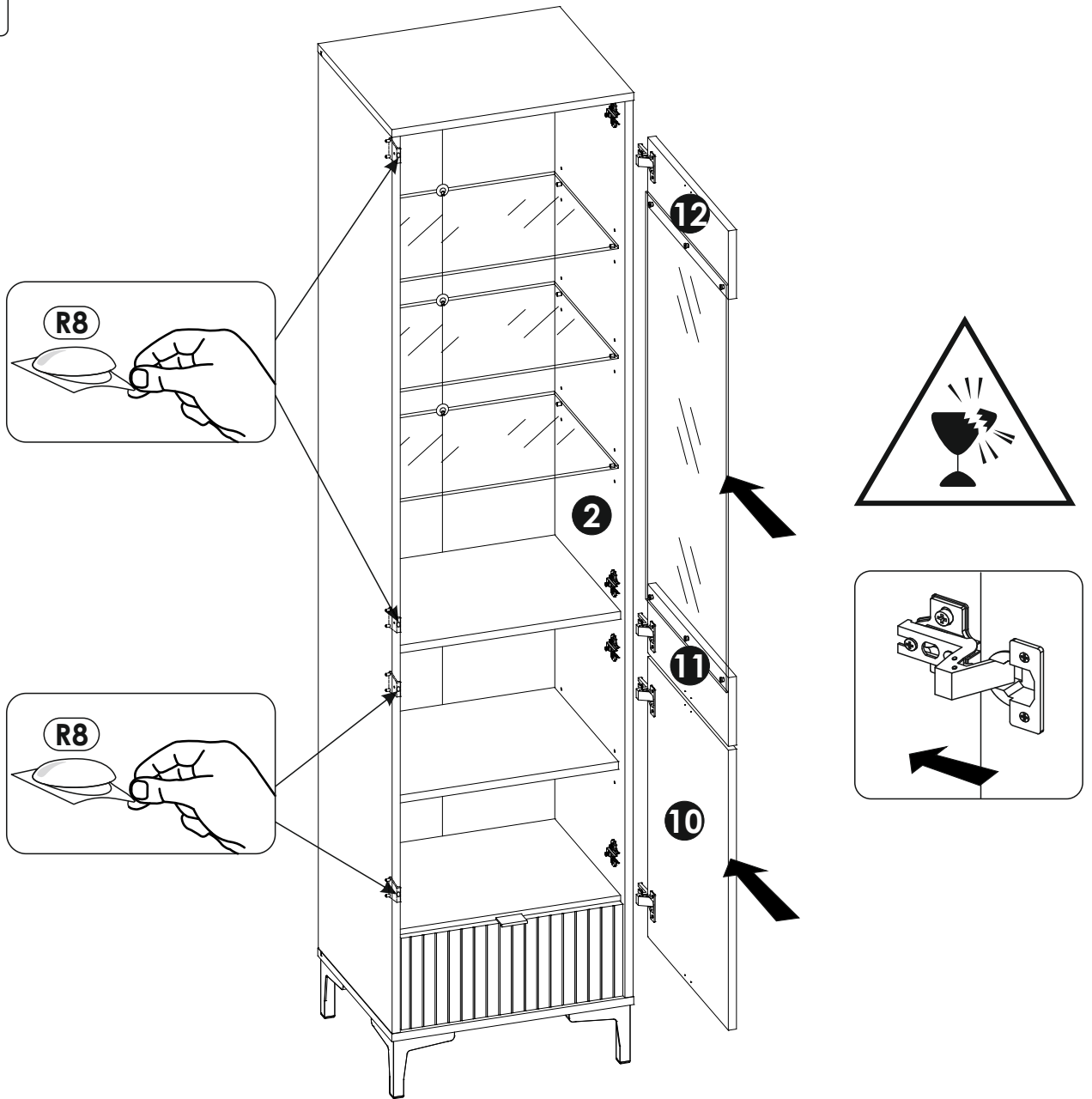
30 ▶



31 ▶

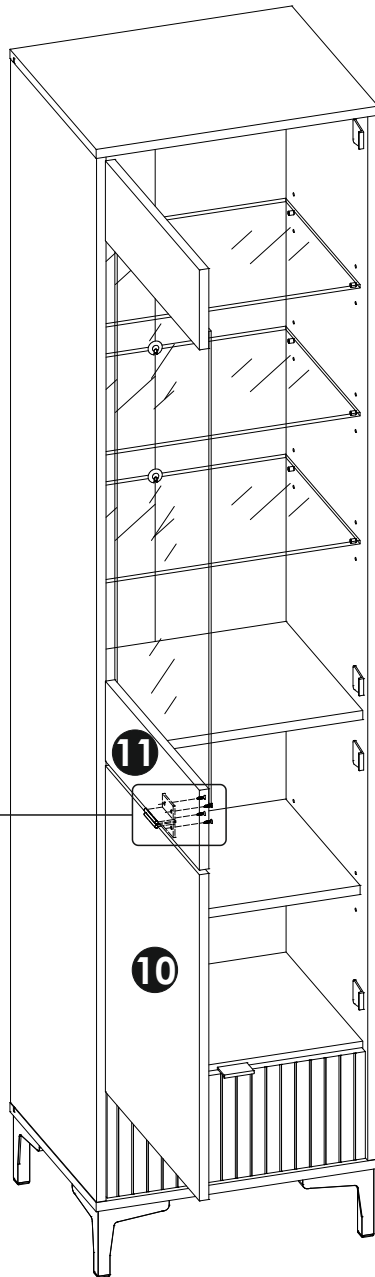
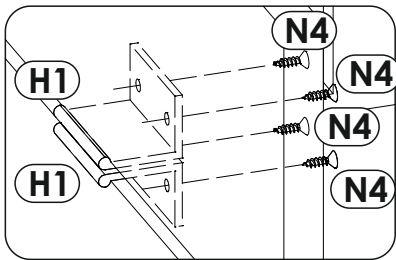


R

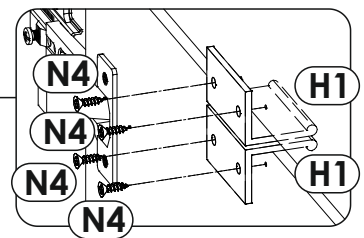
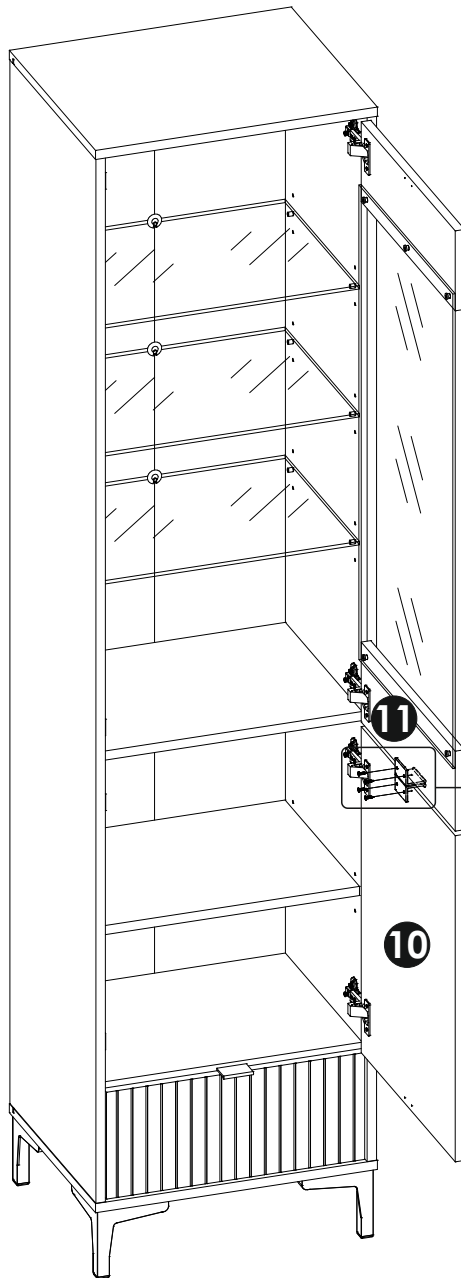


33 ▶

L

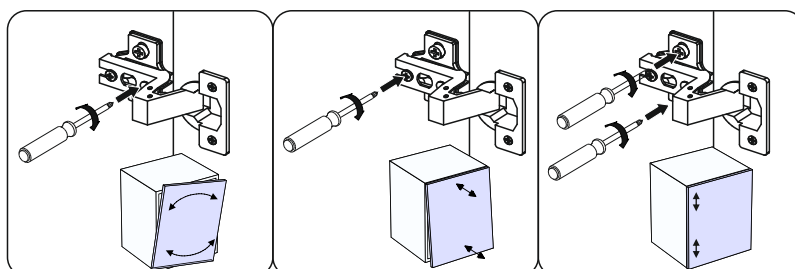
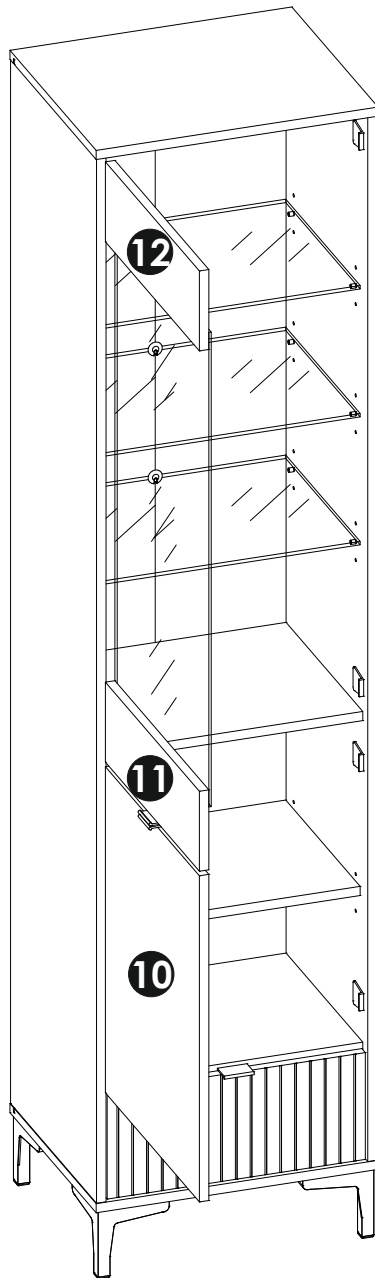


R

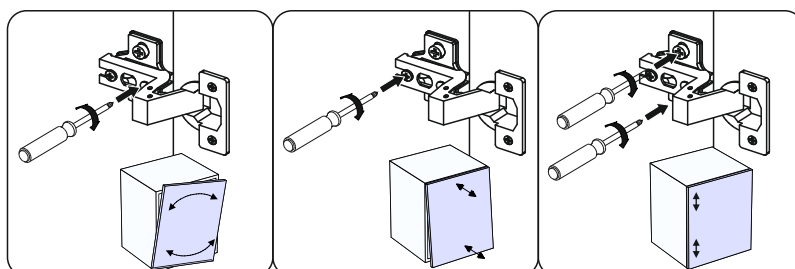
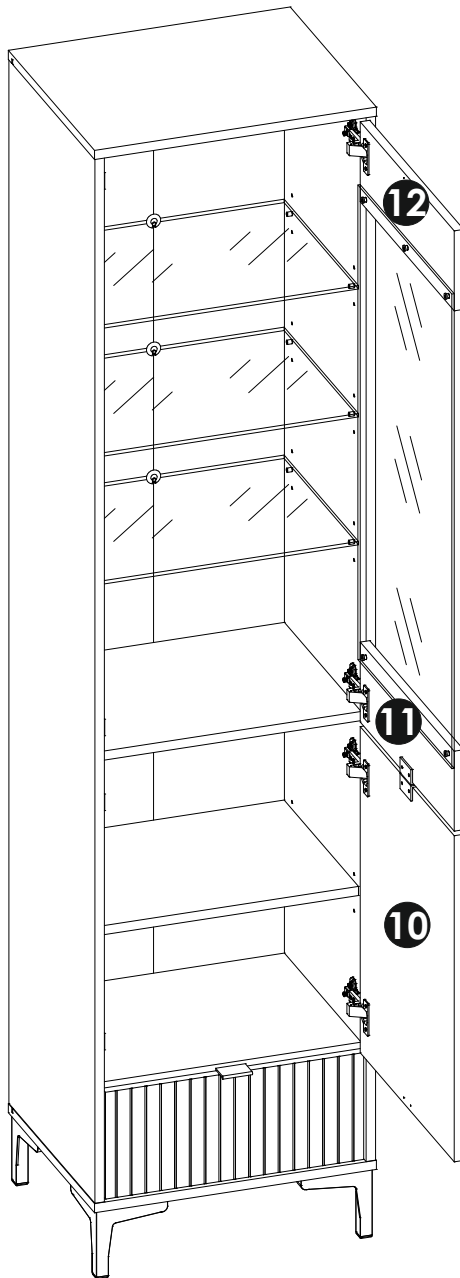


35▶

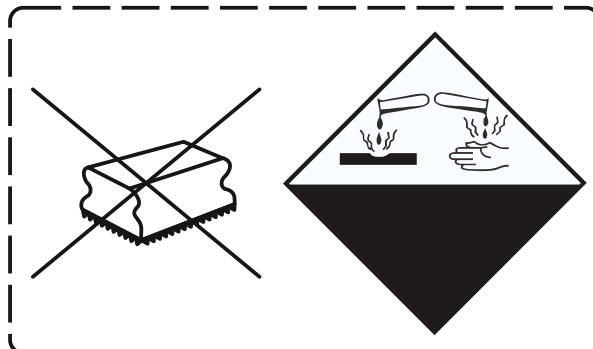
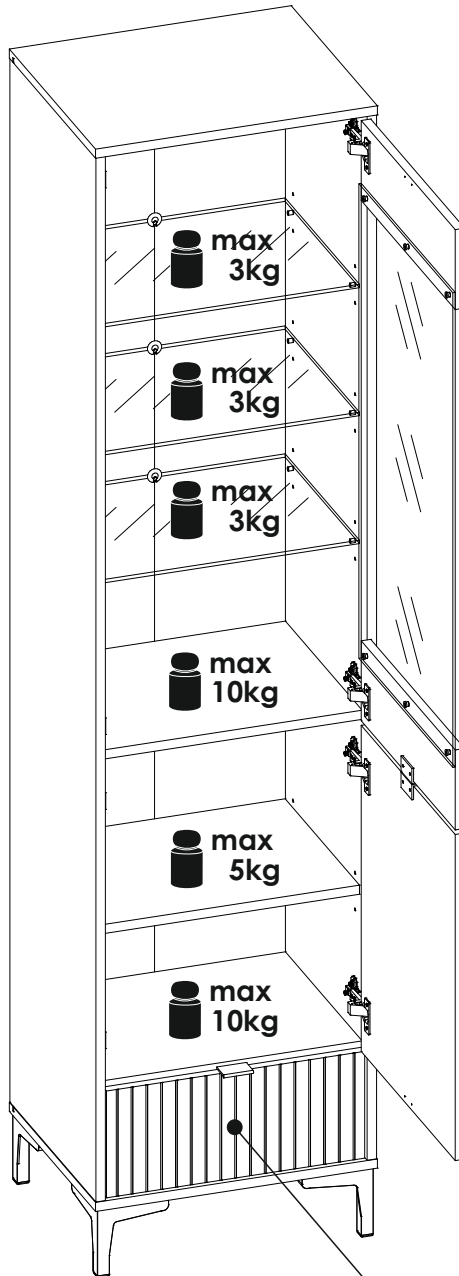
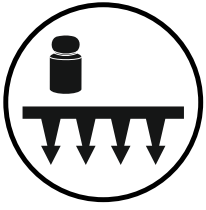
L

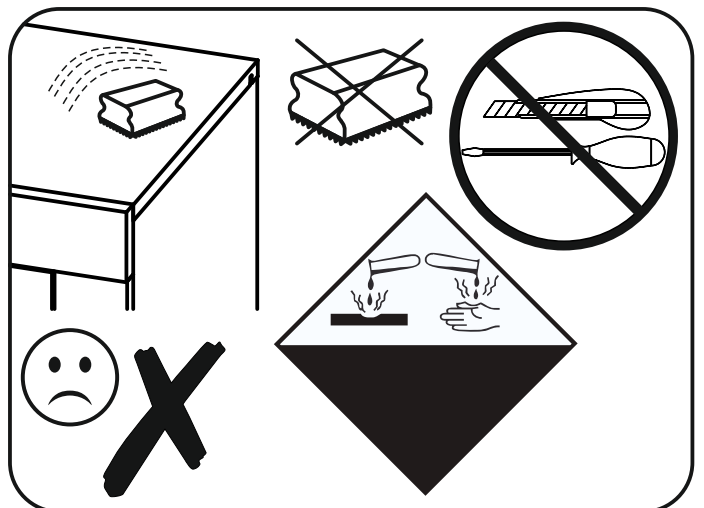
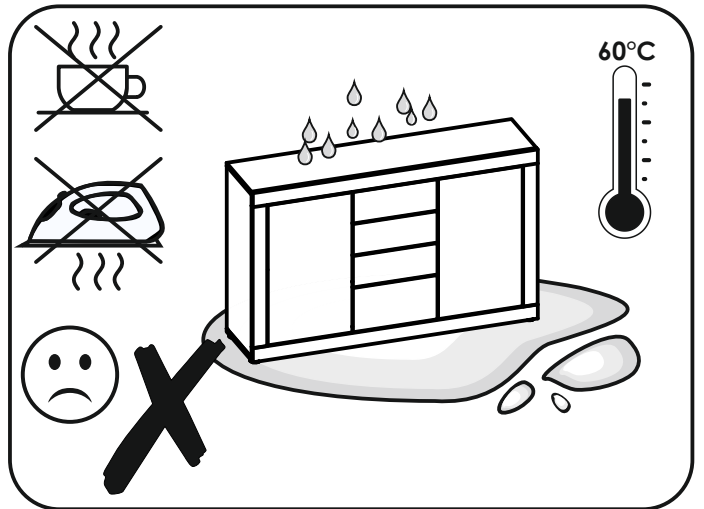
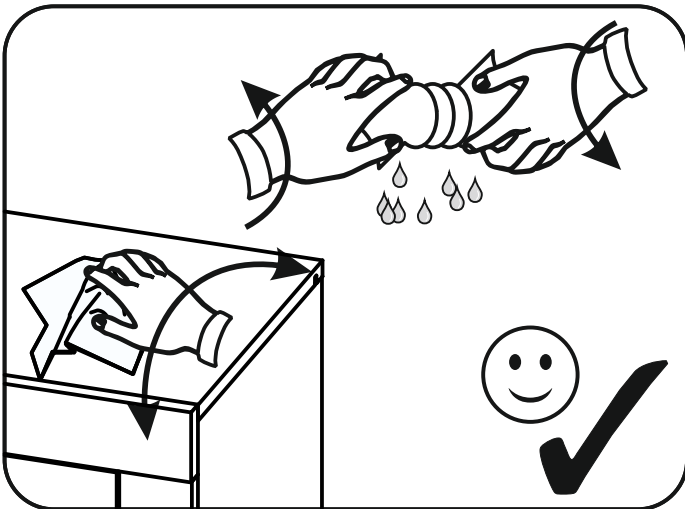


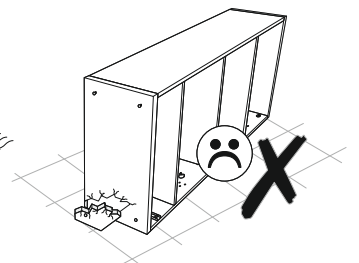
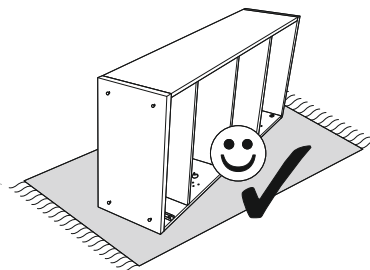
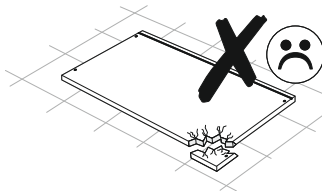
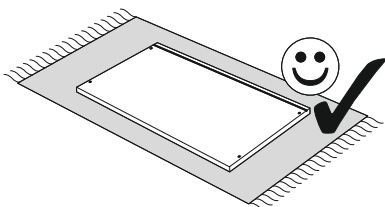
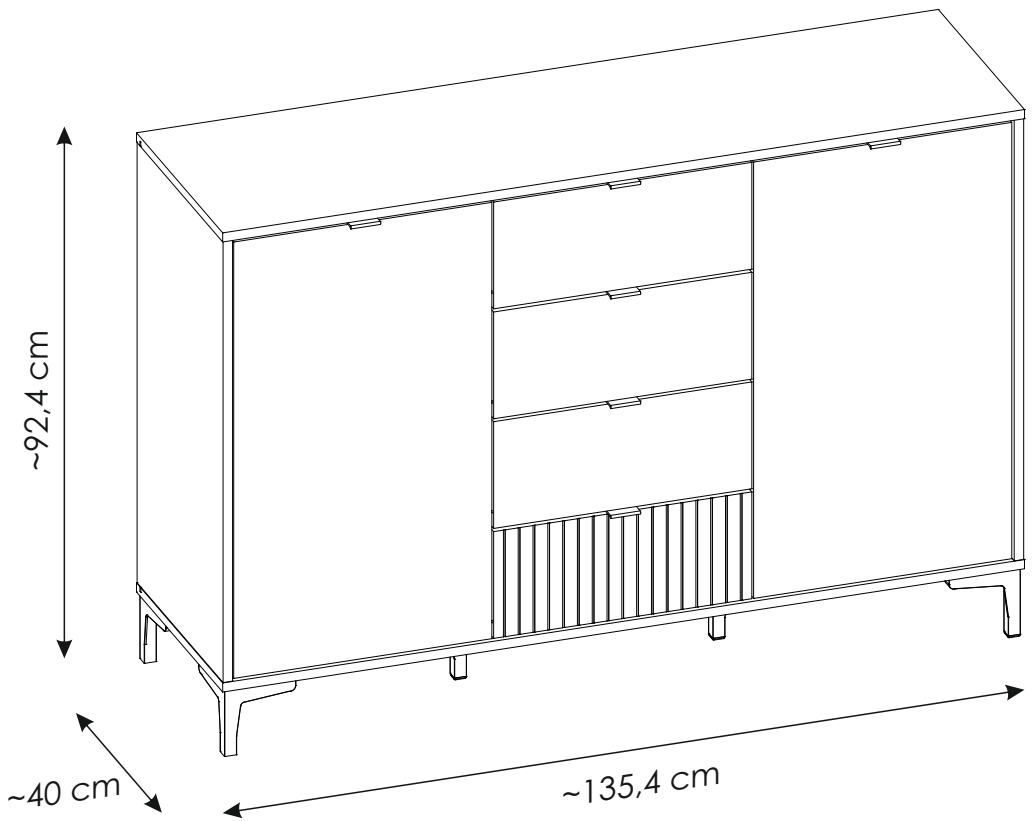
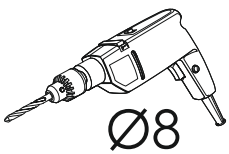
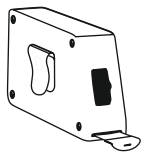
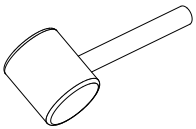
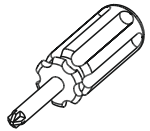
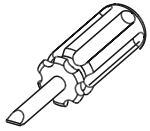
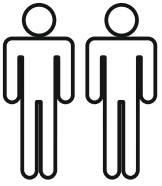
R

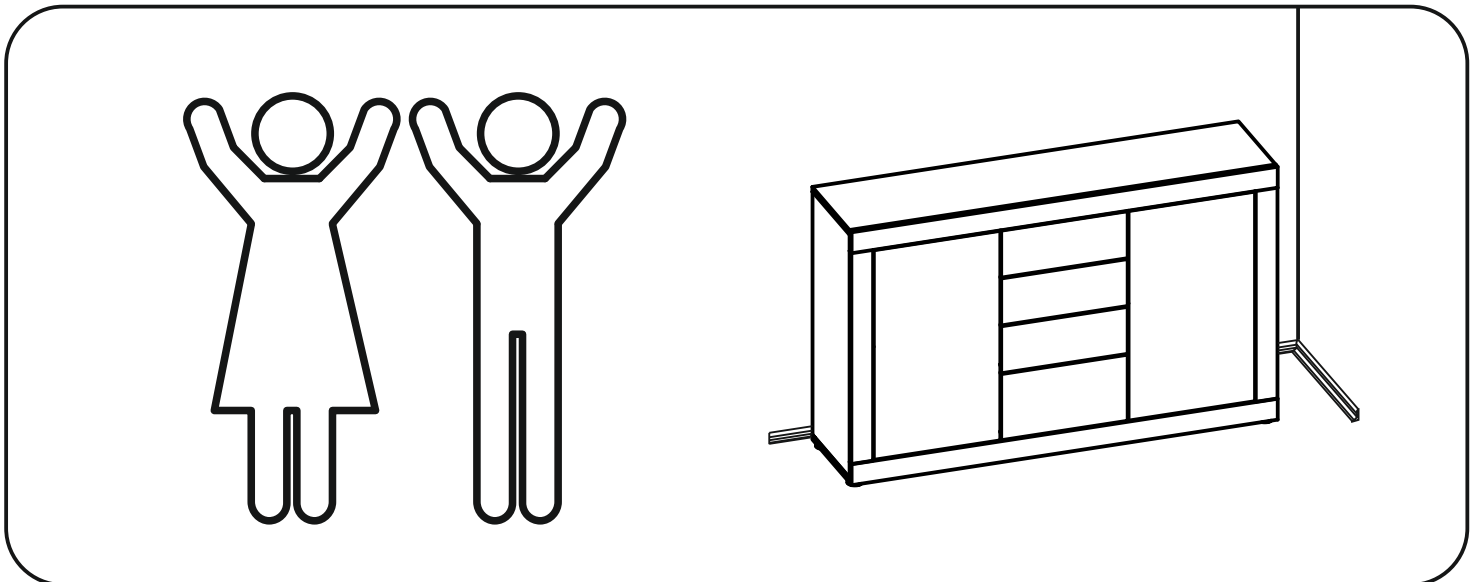
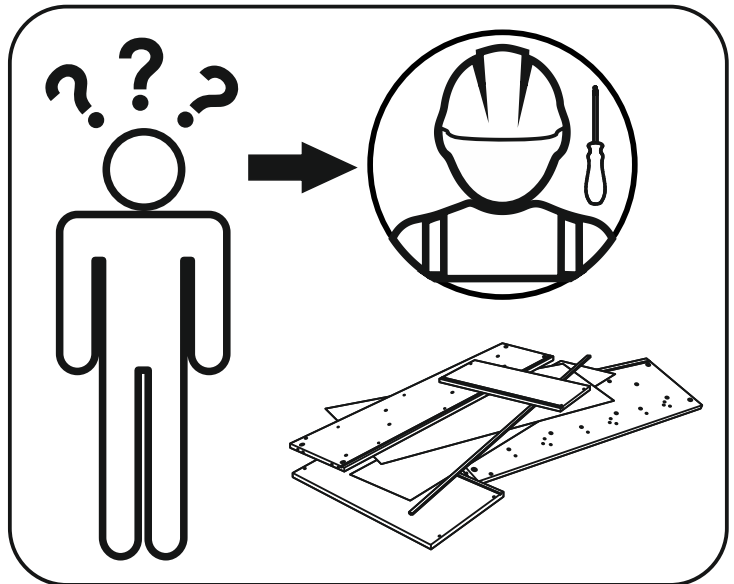
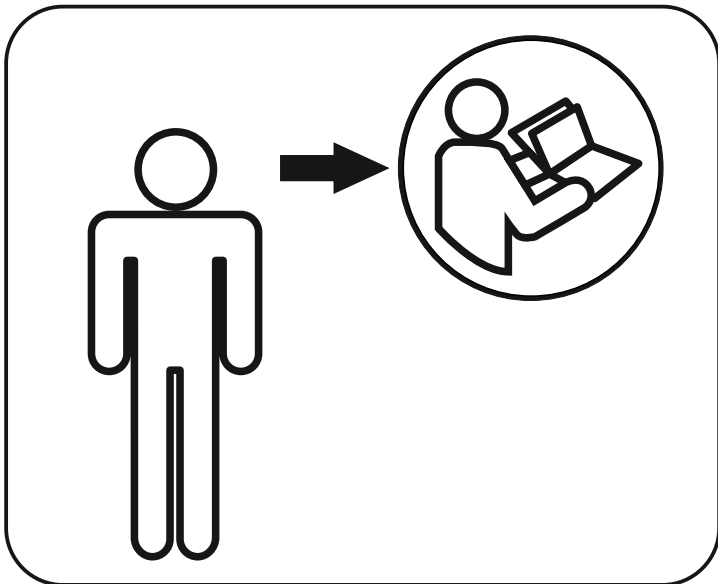
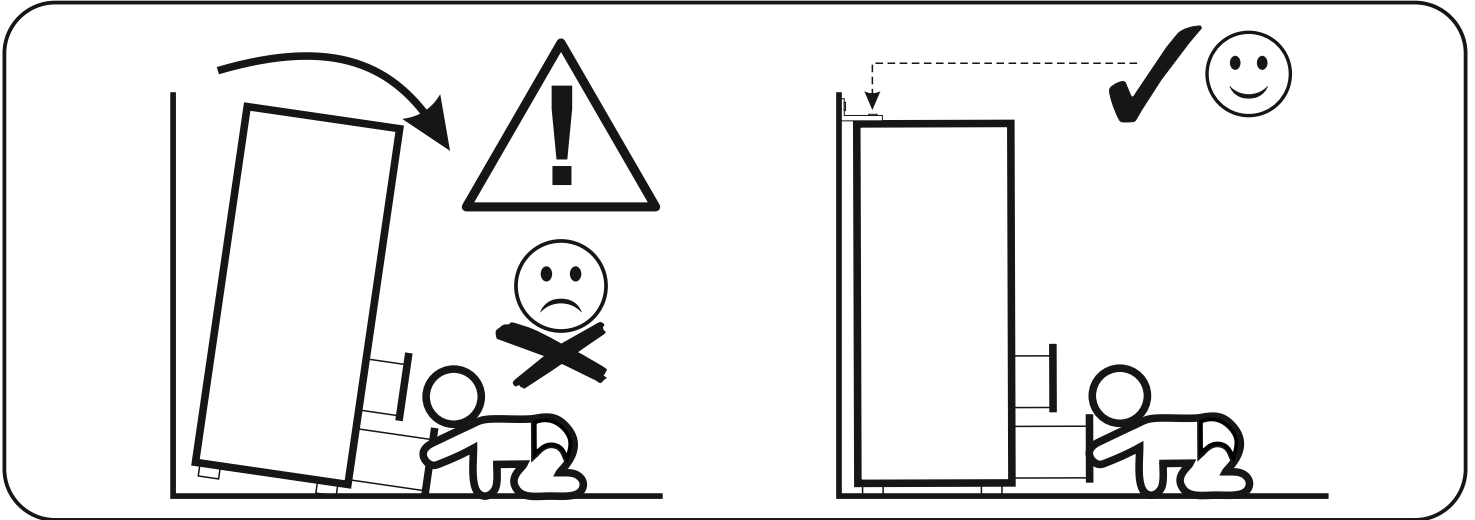
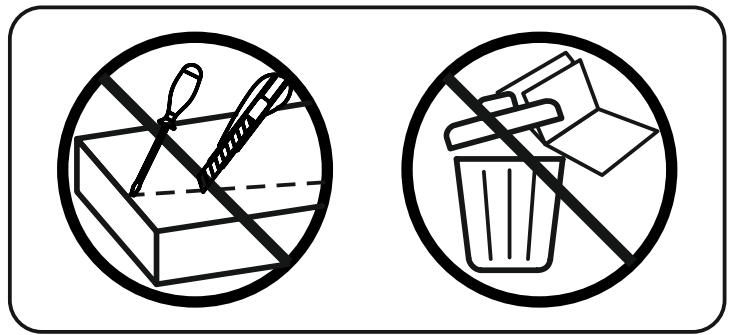
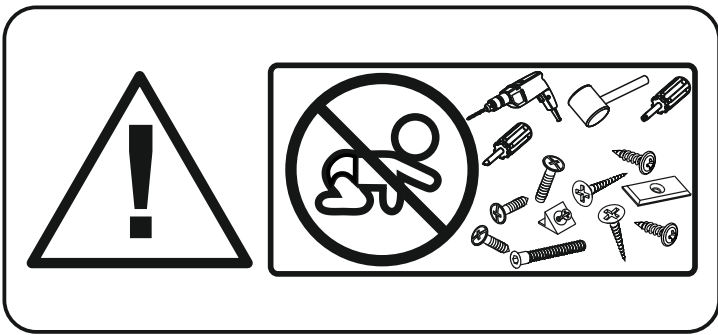


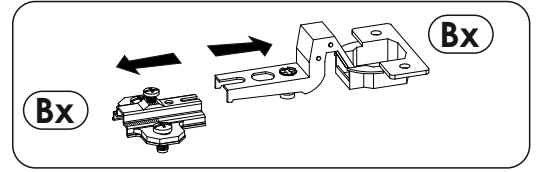
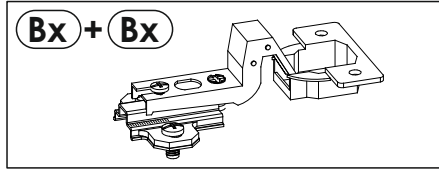
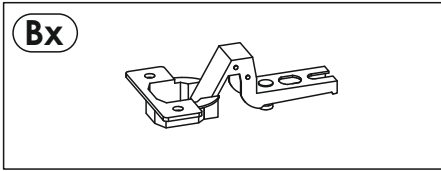
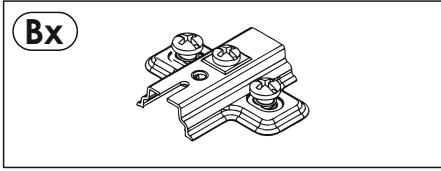
37▶

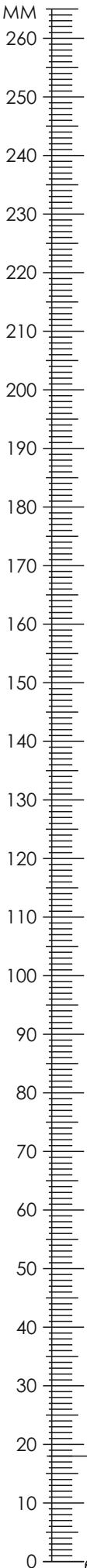



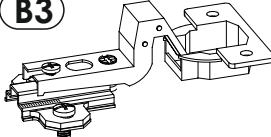
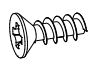
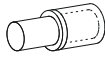
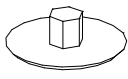
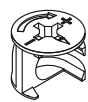
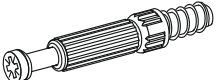
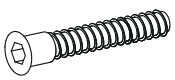
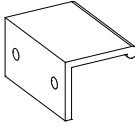
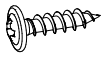
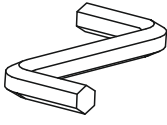
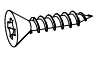
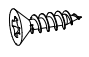
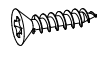

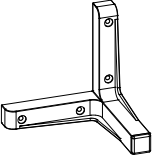
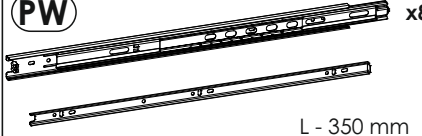
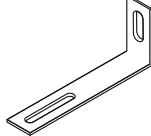
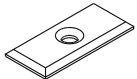
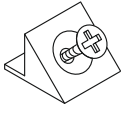
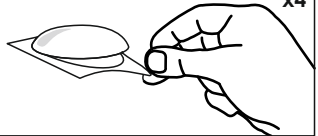
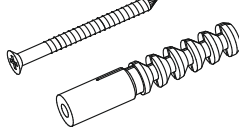
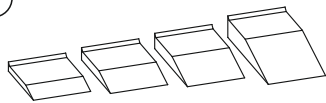


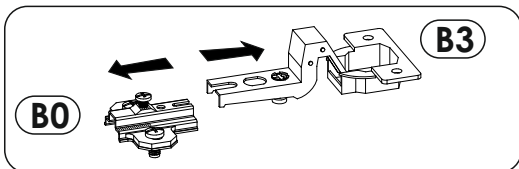


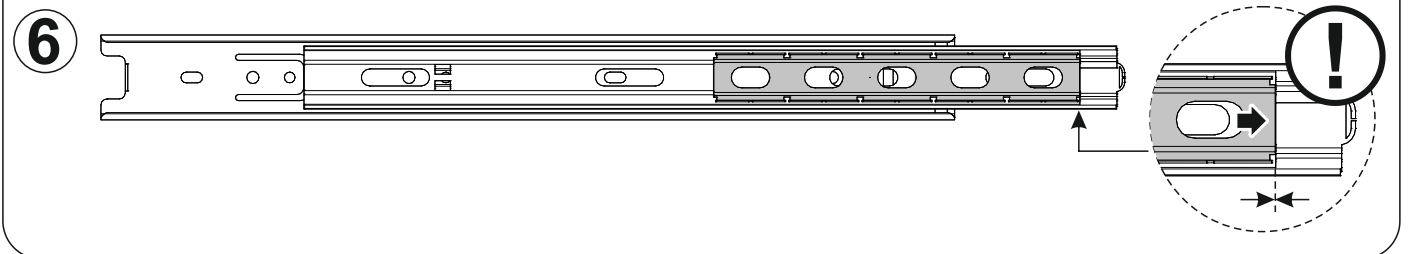
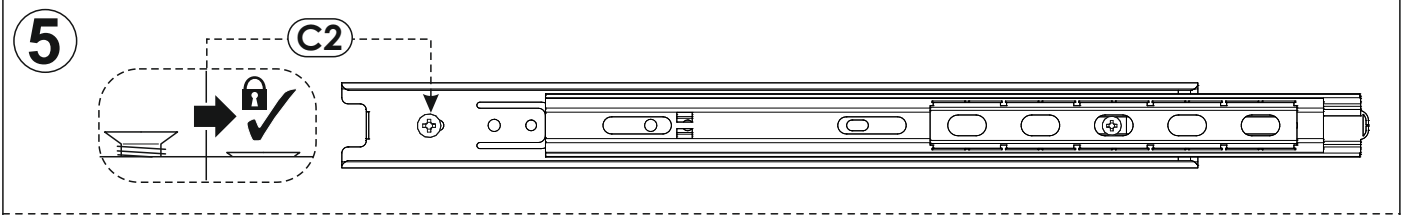
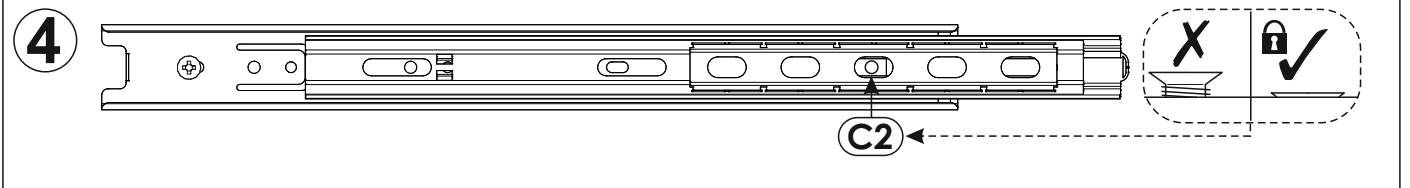
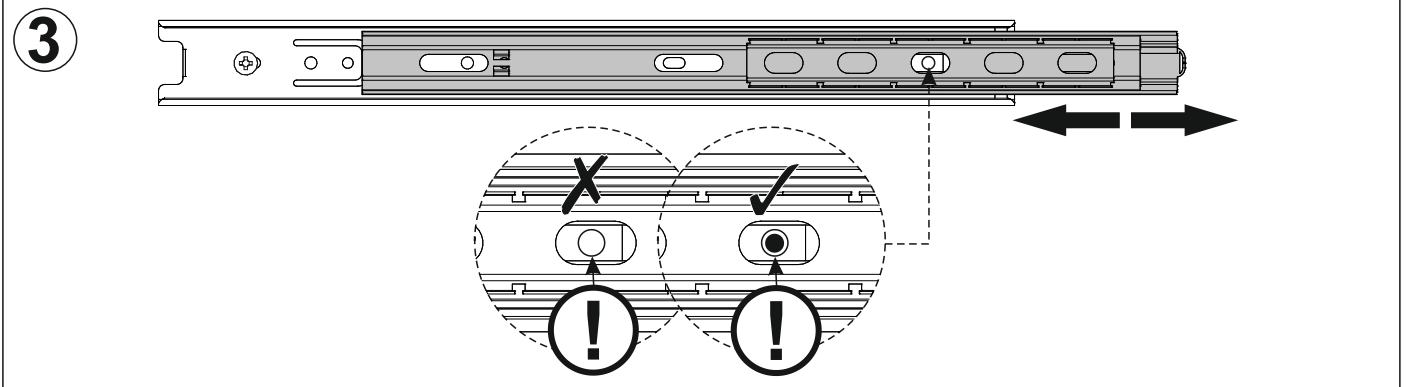
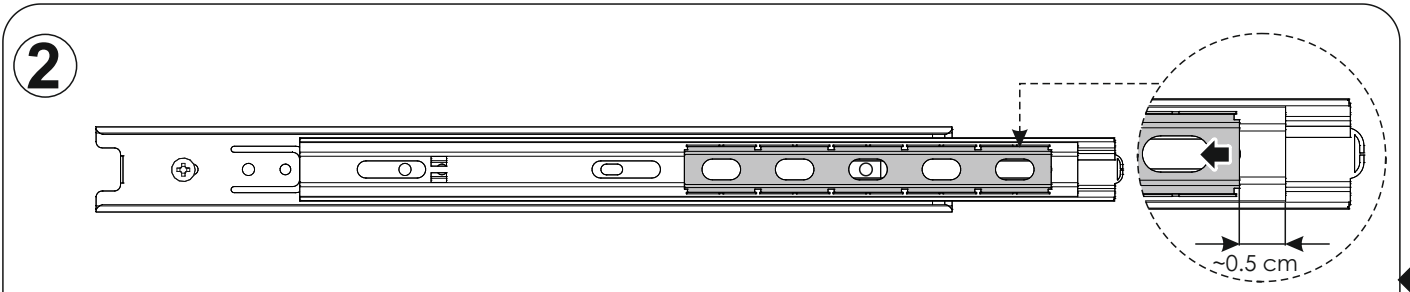
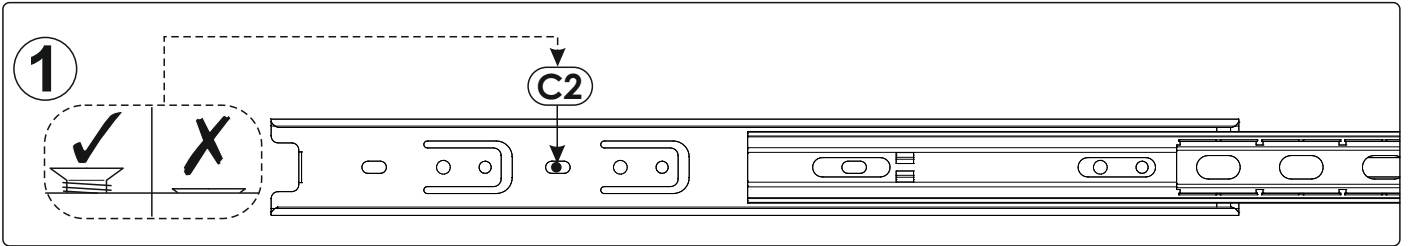
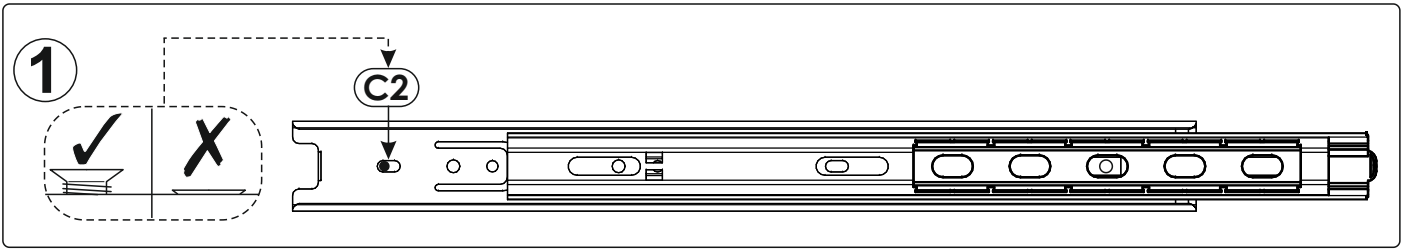


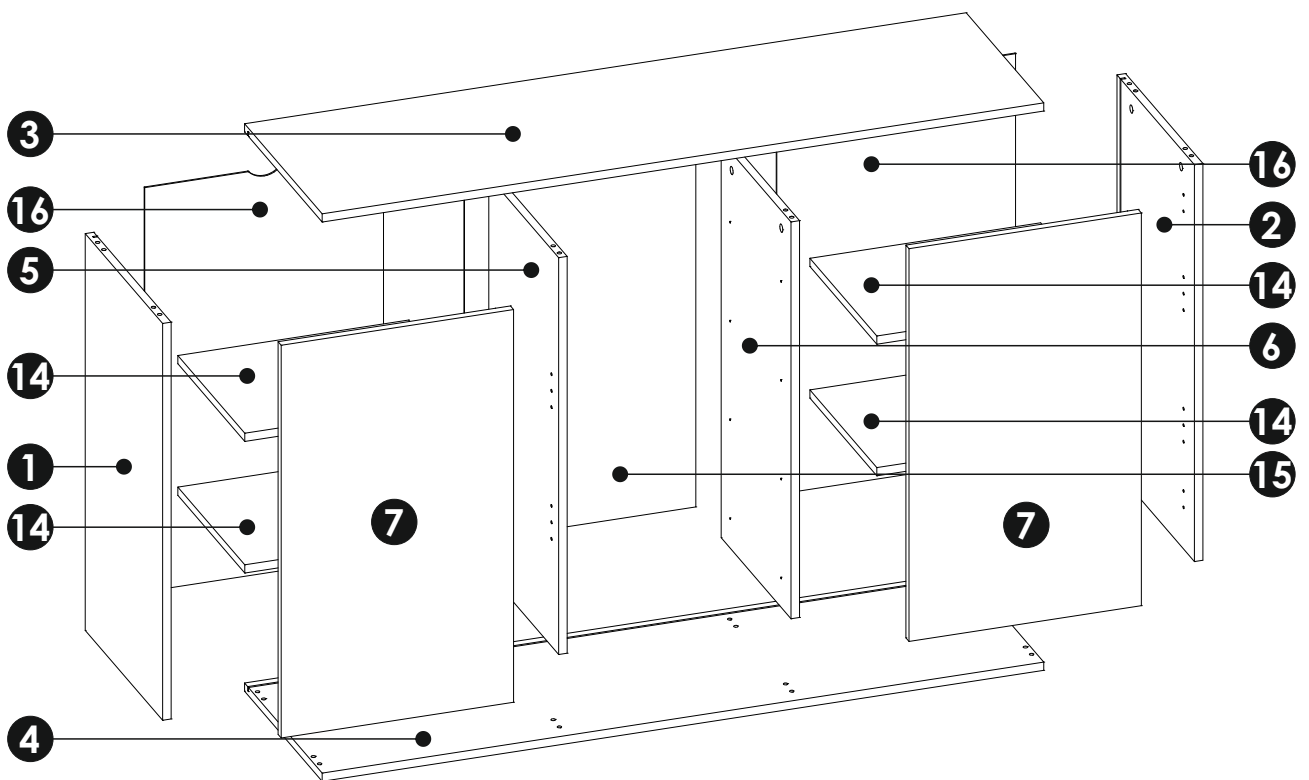
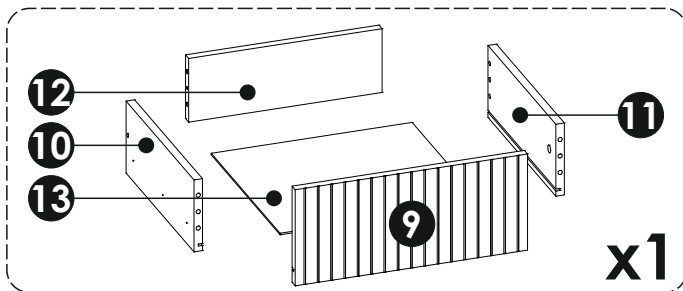
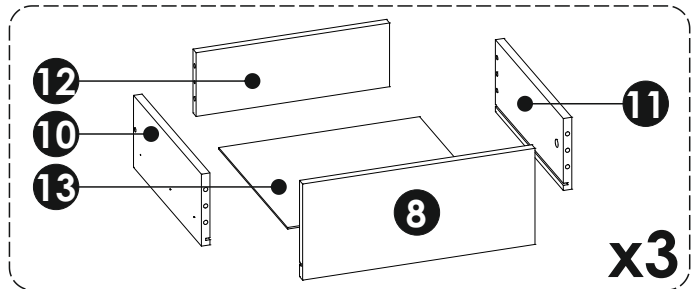
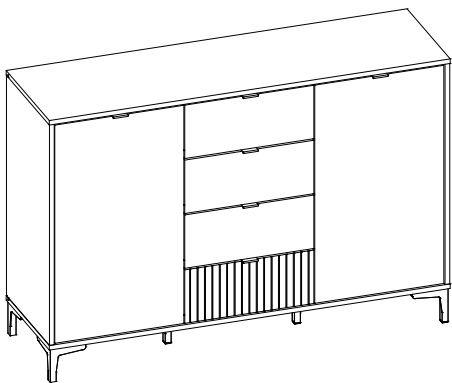




A1 8 x 35 mm x48 	B0 + B3 x4 	C2 5 x 13 mm x24 
D2 x16 	E0 Ø16 x12 	E1 15 x 12 mm x16 
F1 6 x 34 mm x16 	G1 7 x 50 mm x16 	H1 x6  L - 50 mm
I2 4 x 16 mm x2 	M x1 	N1 3 x 16 mm x30 
N4 3,5 x 13 mm x12 	N5 3,5 x 16 mm x24 	N7 3,5 x 30 mm x24 
O12 x6 	PW x8  L - 350 mm	Q9 x2 
R1 x10 	R4 x14 	R8 x4 
S13 x2  Ø8	Z x1 	



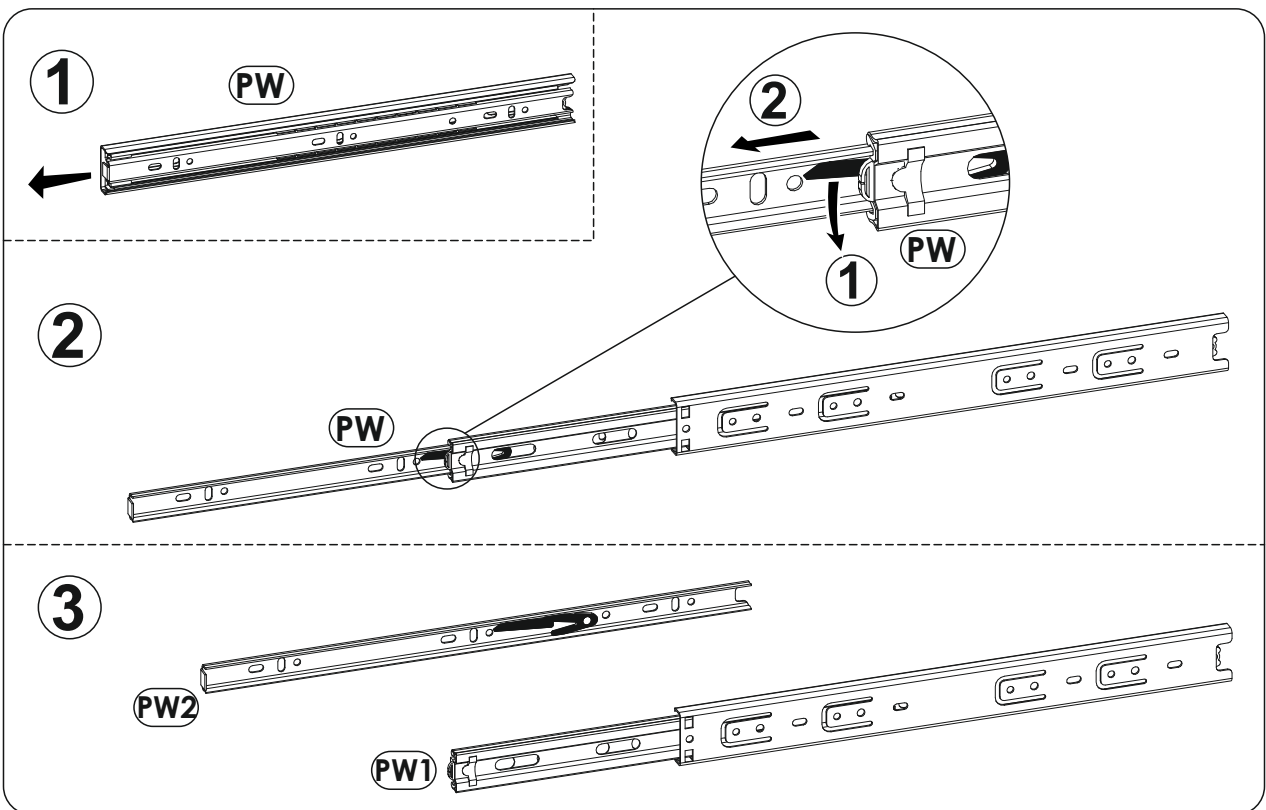
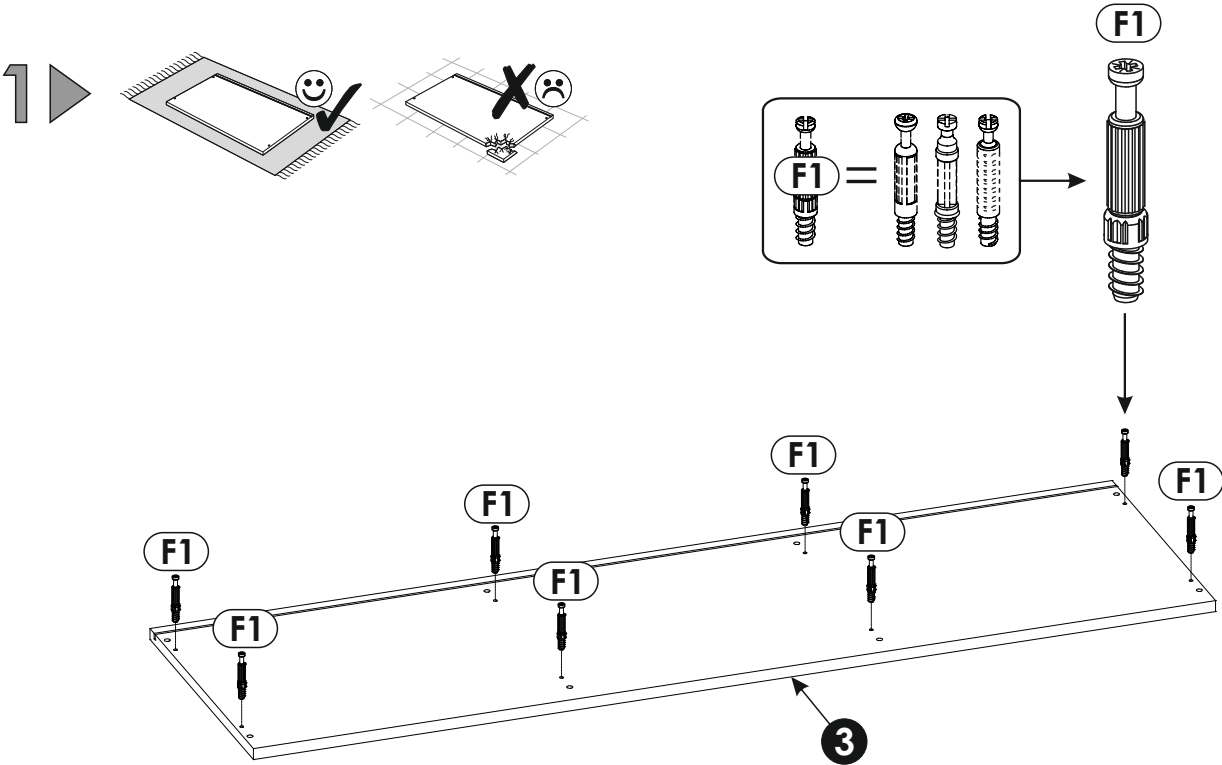
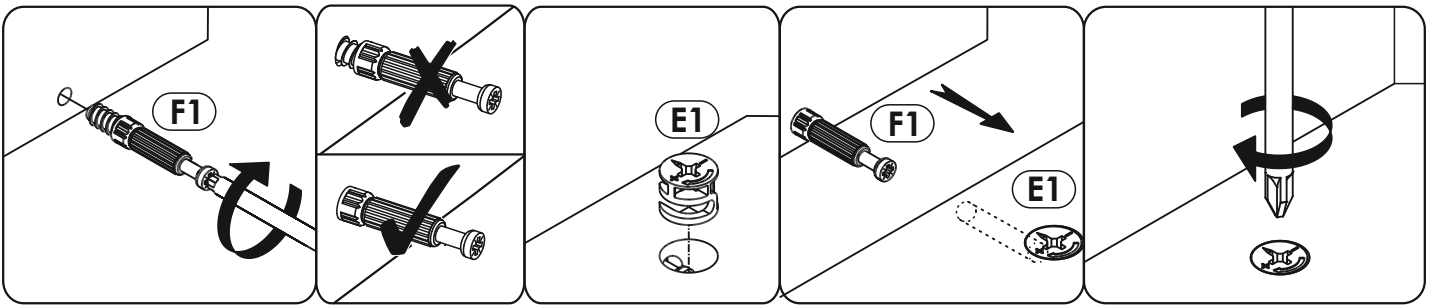




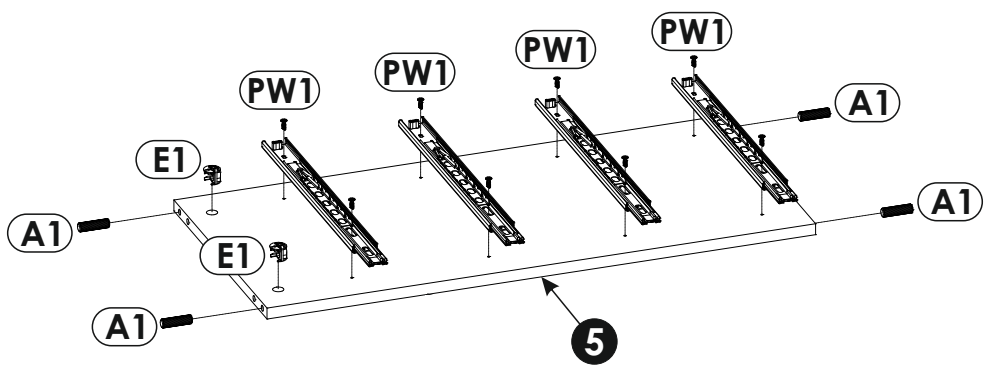
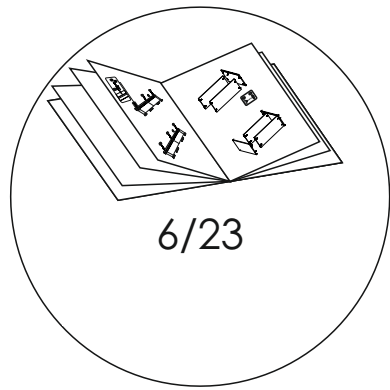
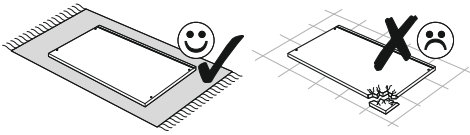
1	772	399	16	x1	1/2
2	772	399	16	x1	1/2
3	1354	400	16	x1	2/2
4	1354	400	16	x1	2/2
5	772	360	16	x1	1/2

6	772	360	16	x1	1/2
7	764	436	16	x2	2/2
8	436	187	16	x3	2/2
9	187	436	16	x1	2/2
10	350	140	16	x4	1/2

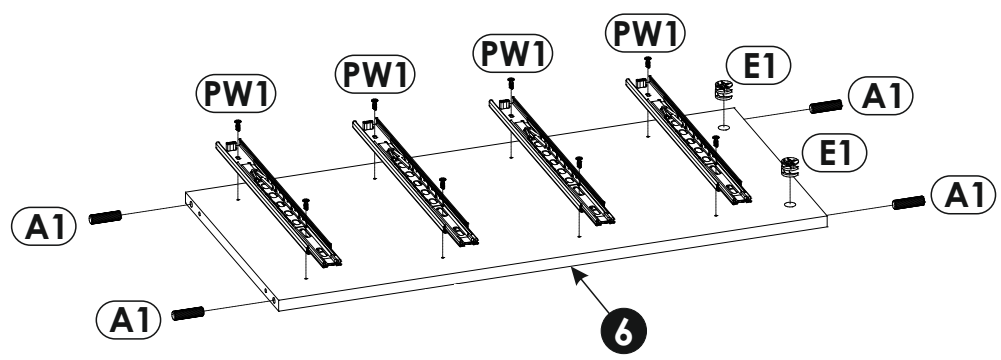
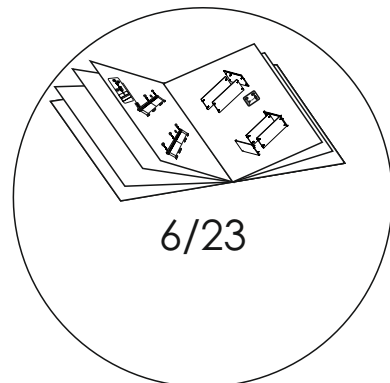
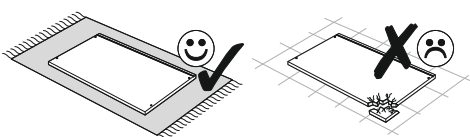
11	350	140	16	x4	1/2
12	363	124	16	x4	1/2
13	377	355	3	x4	1/2
14	433	345	16	x4	1/2
15	786	434	3	x1	2/2
16	786	448	3	x2	2/2

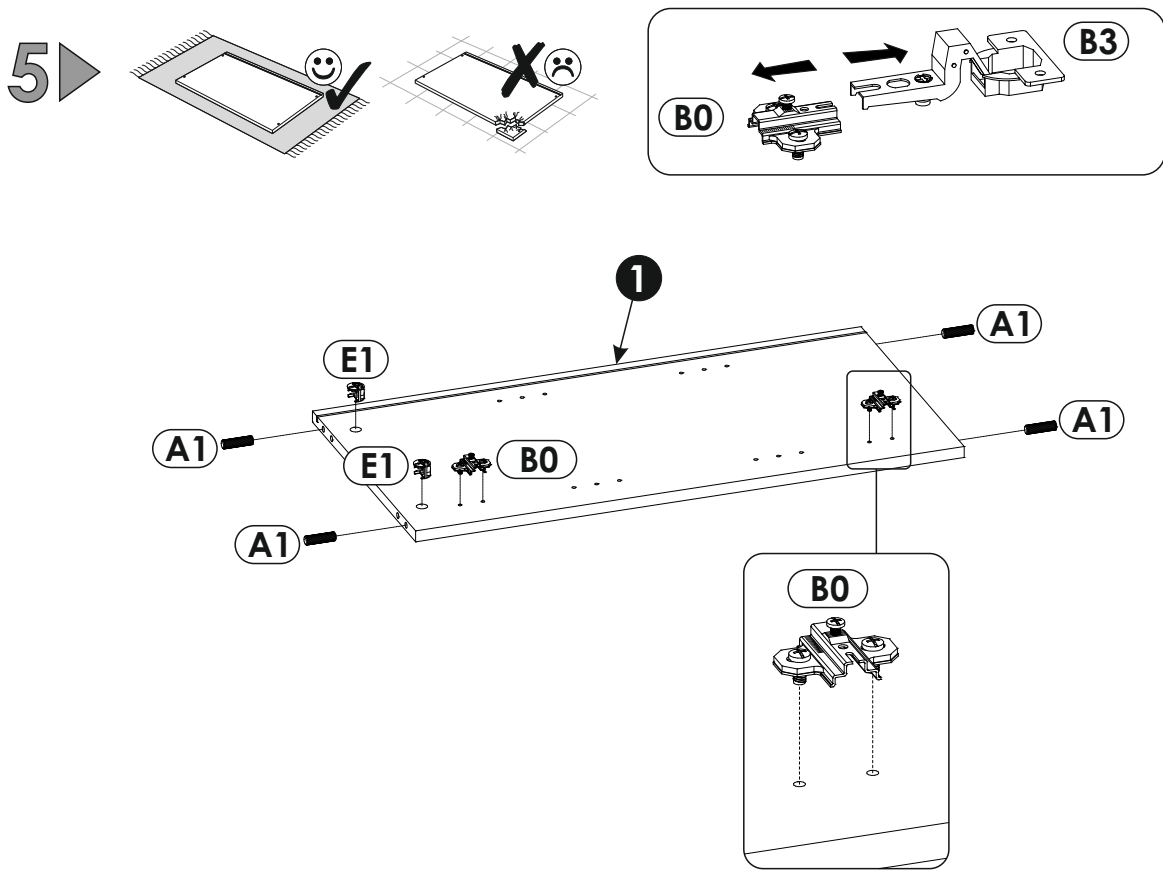
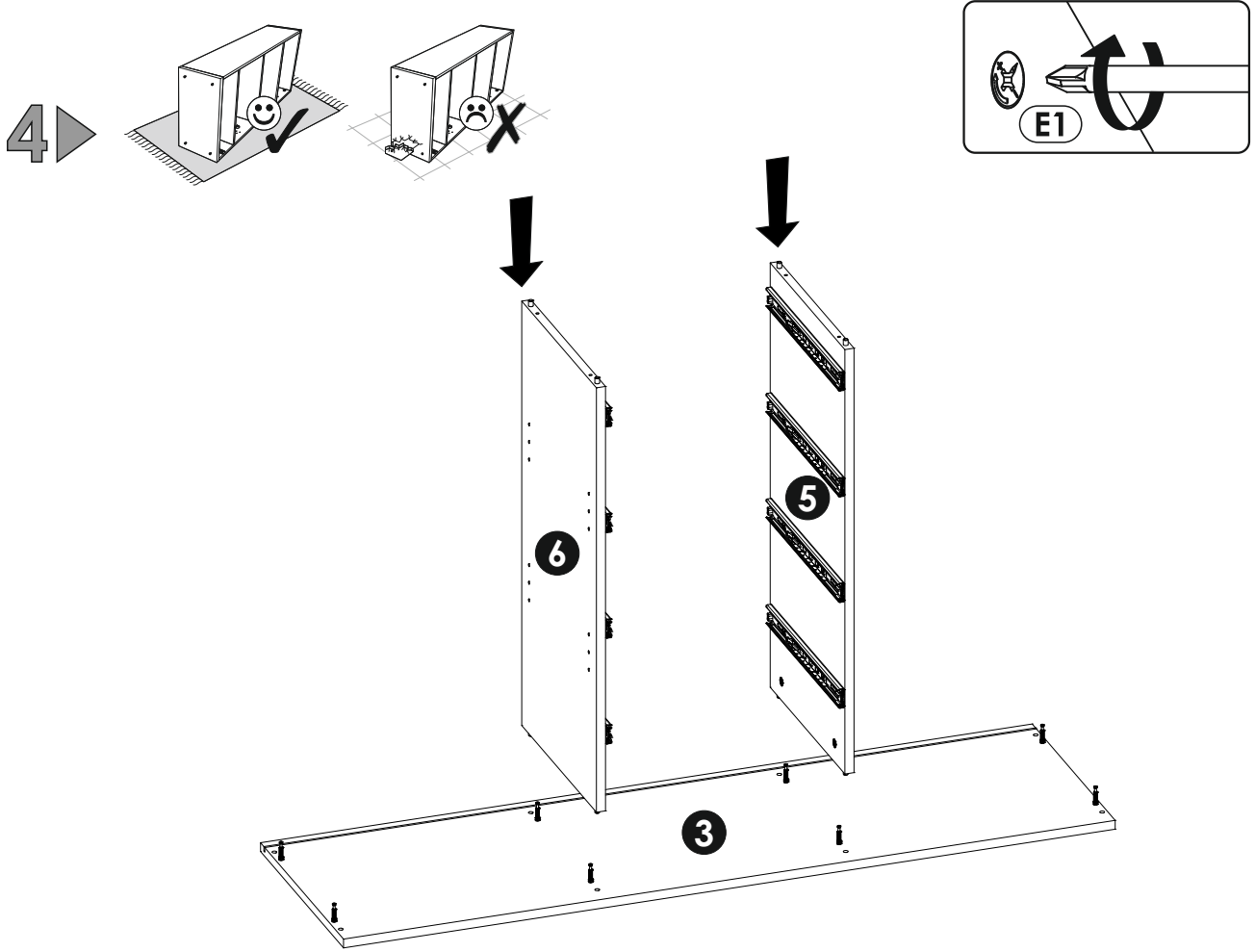


2 ▶

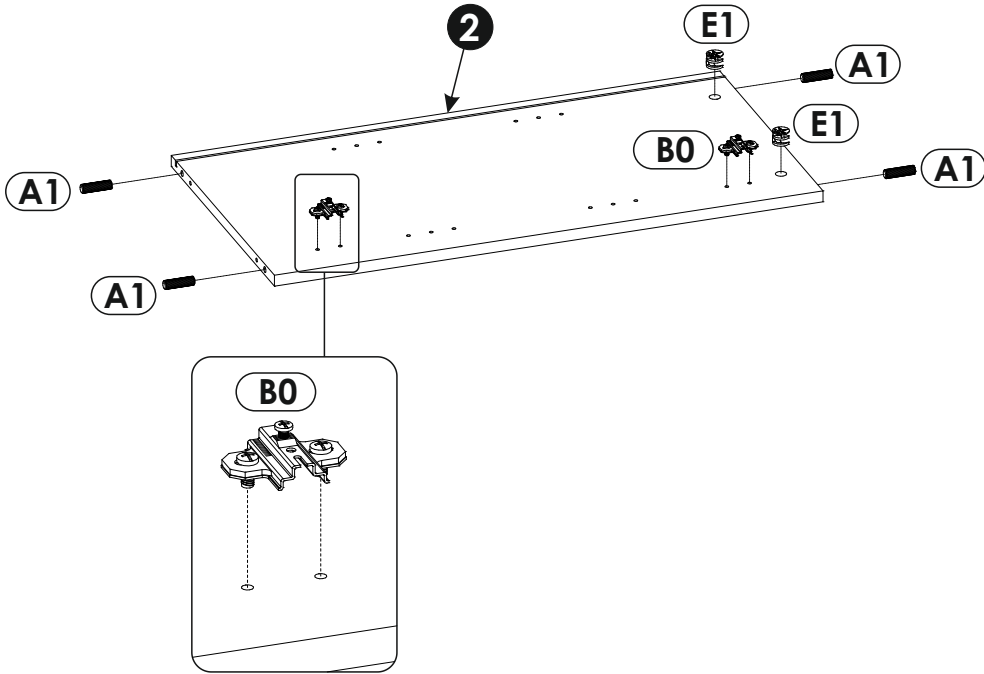
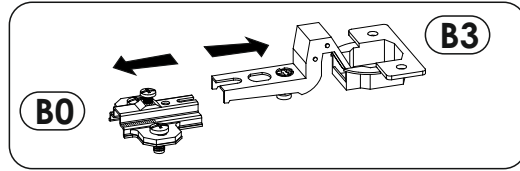
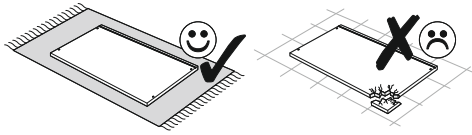


3 ▶

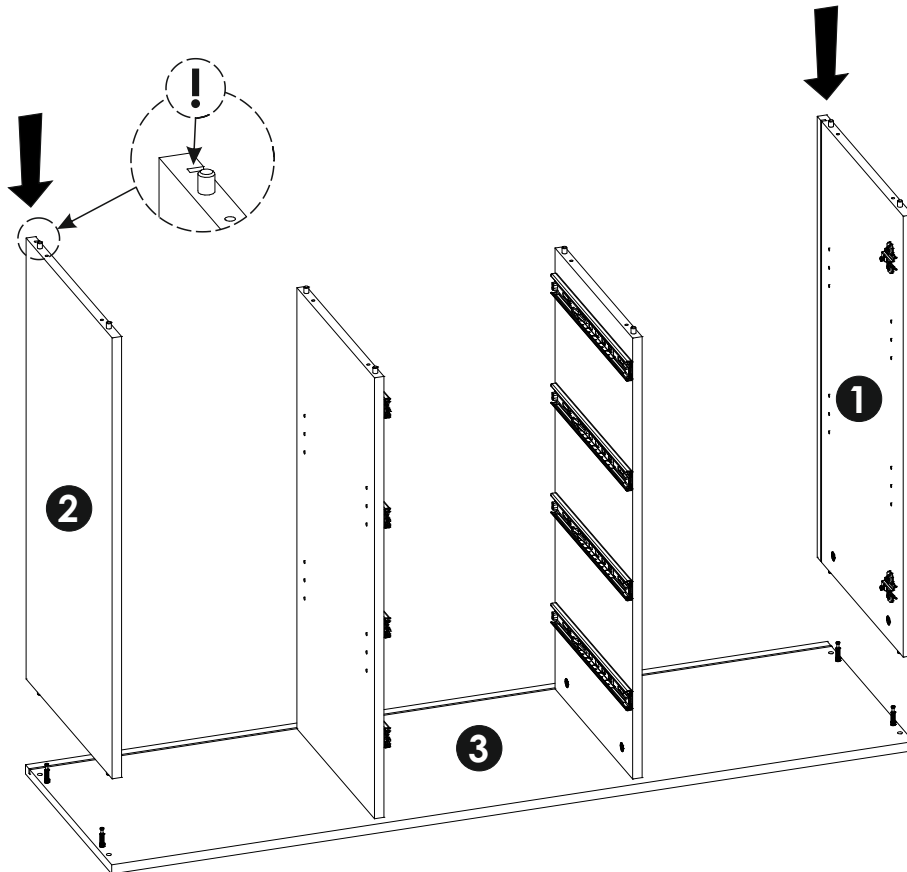
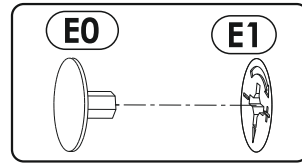
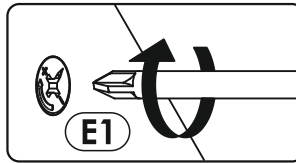
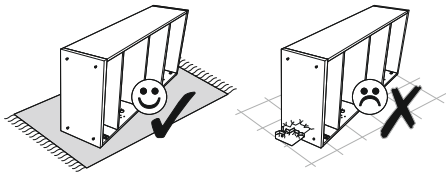


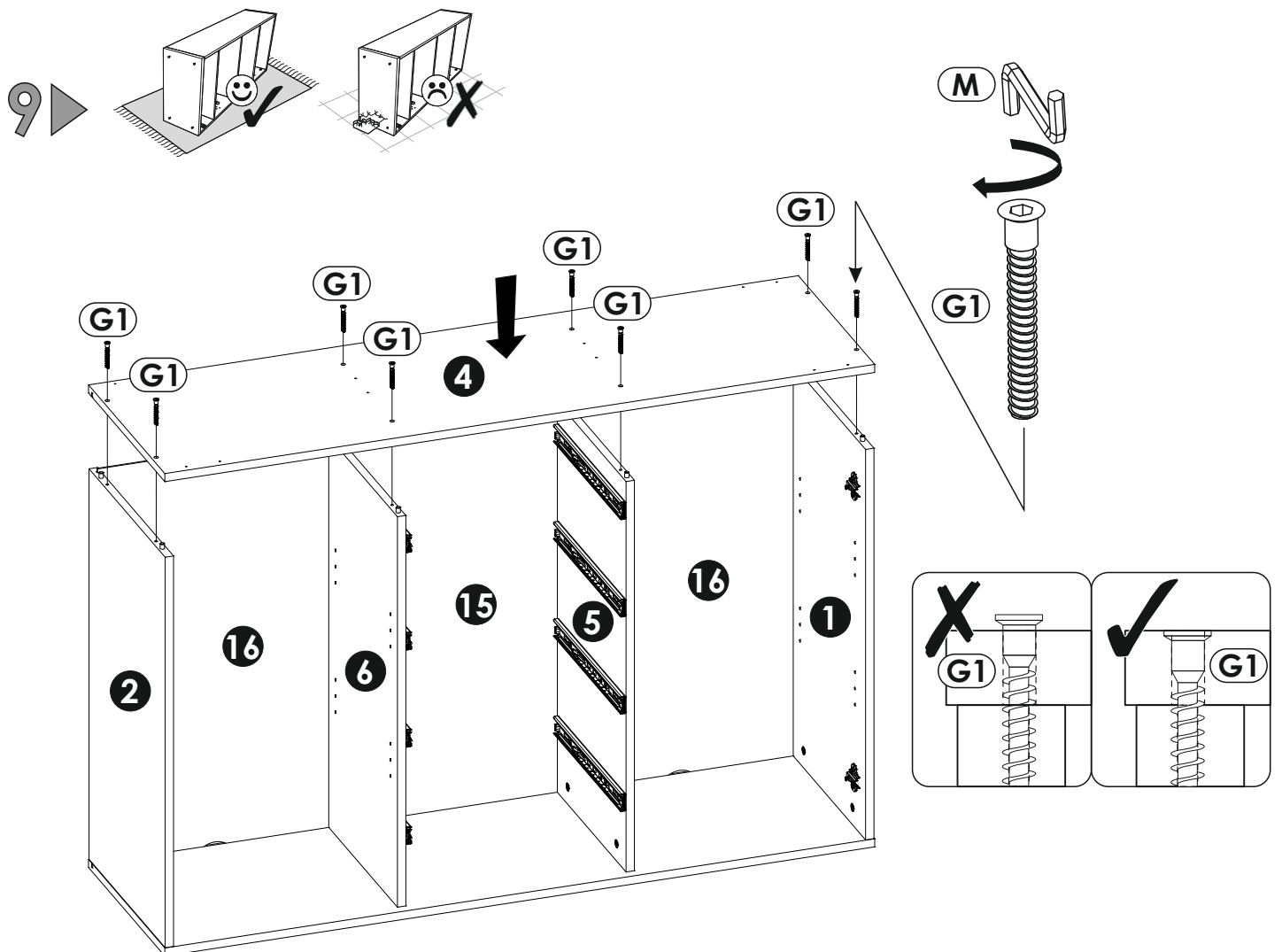
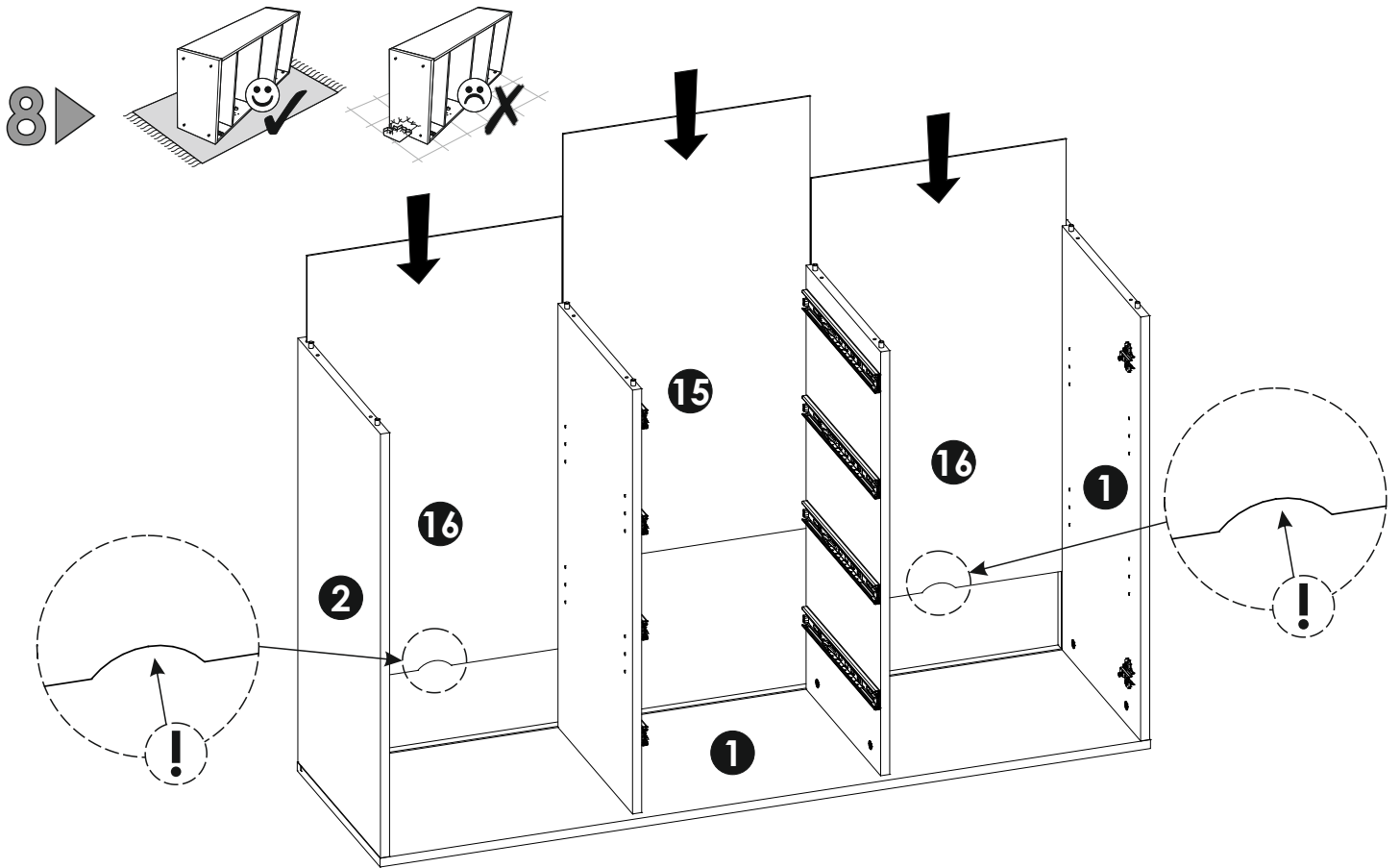


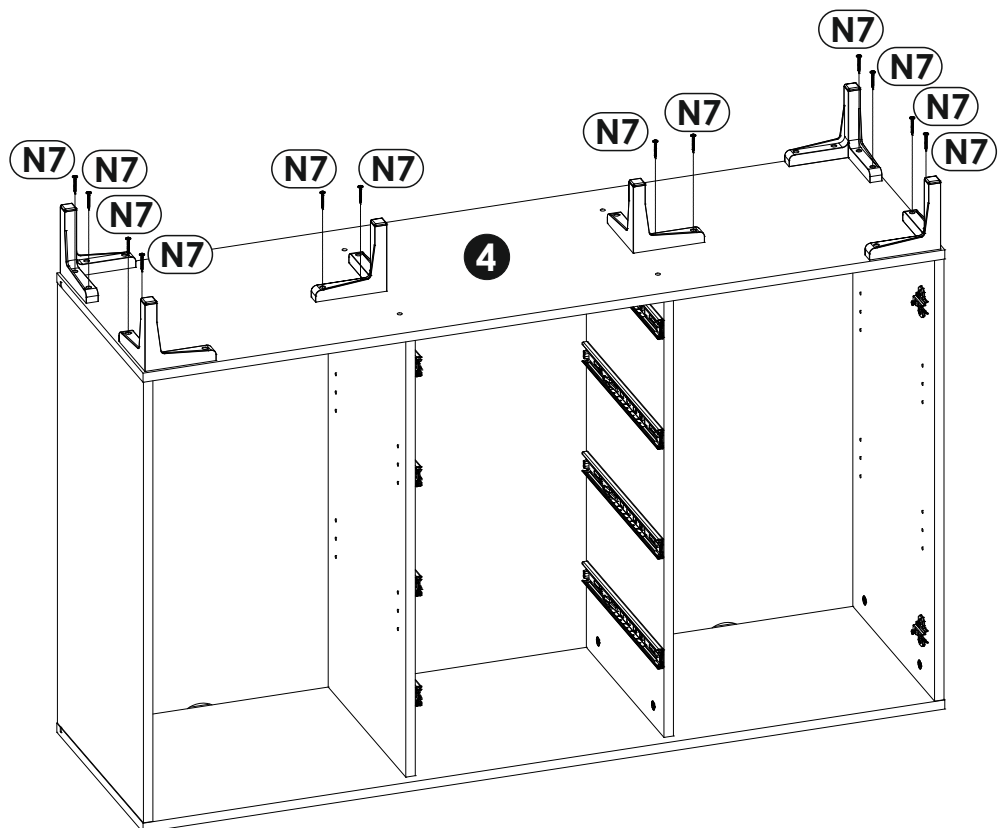
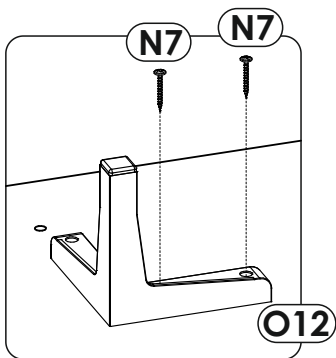
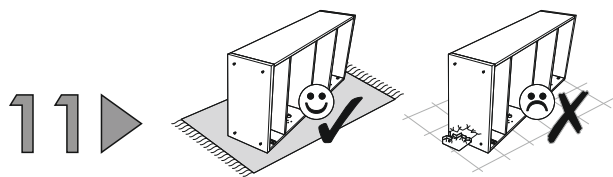
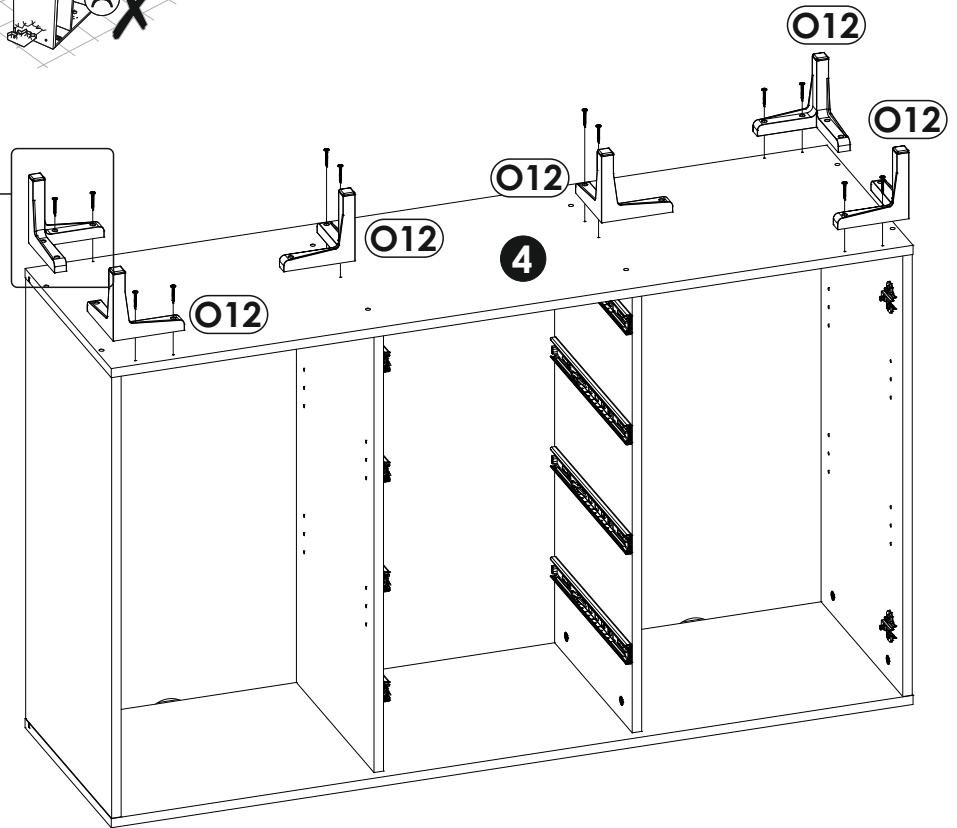
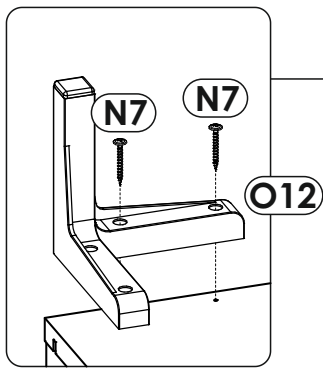
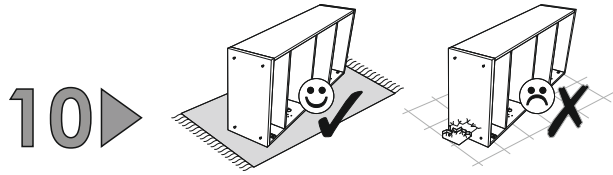
6 ▶

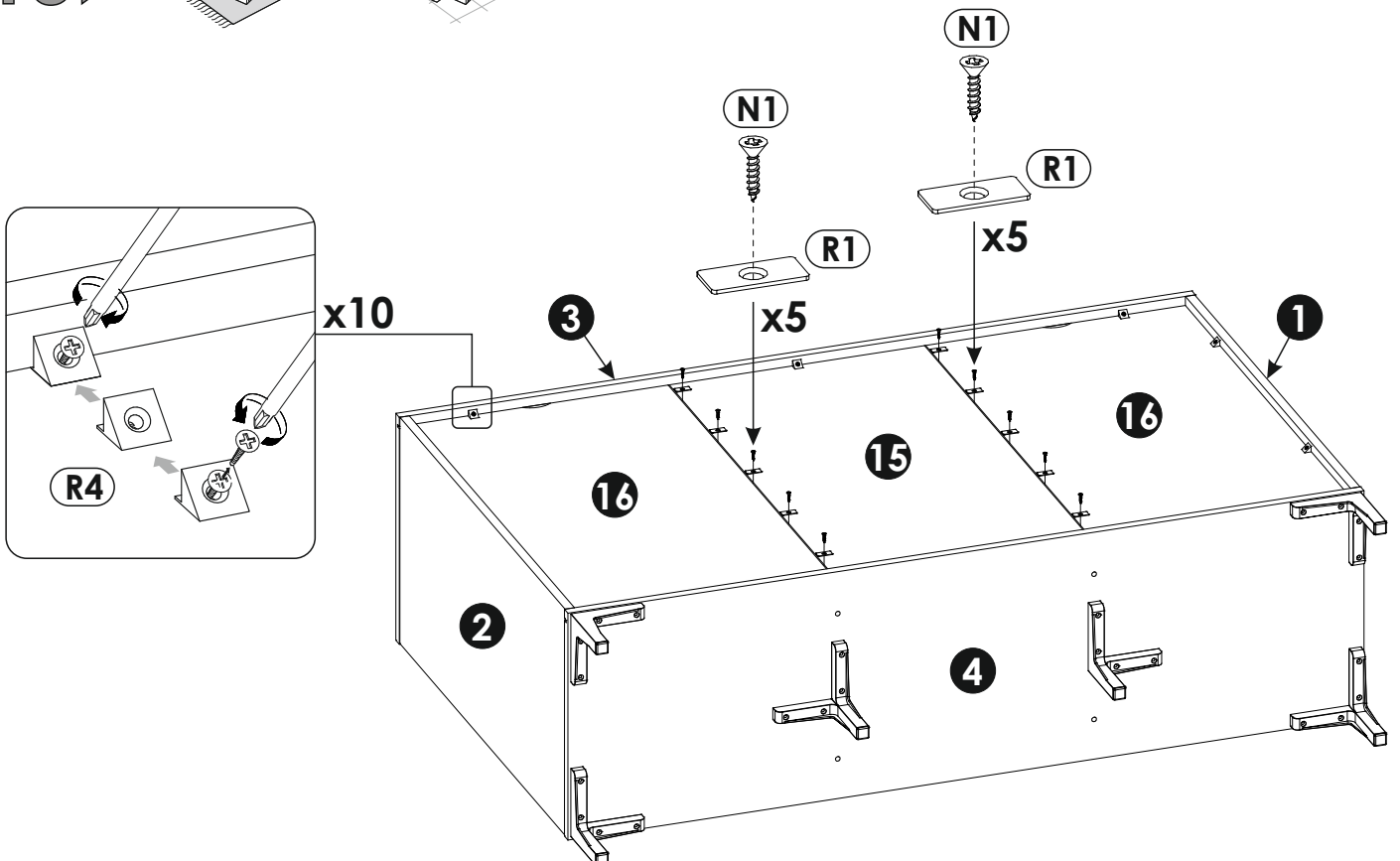
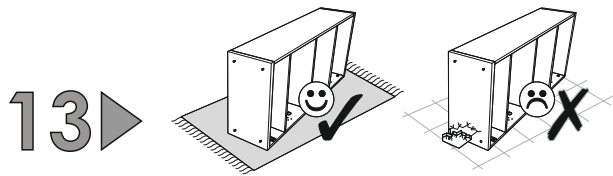
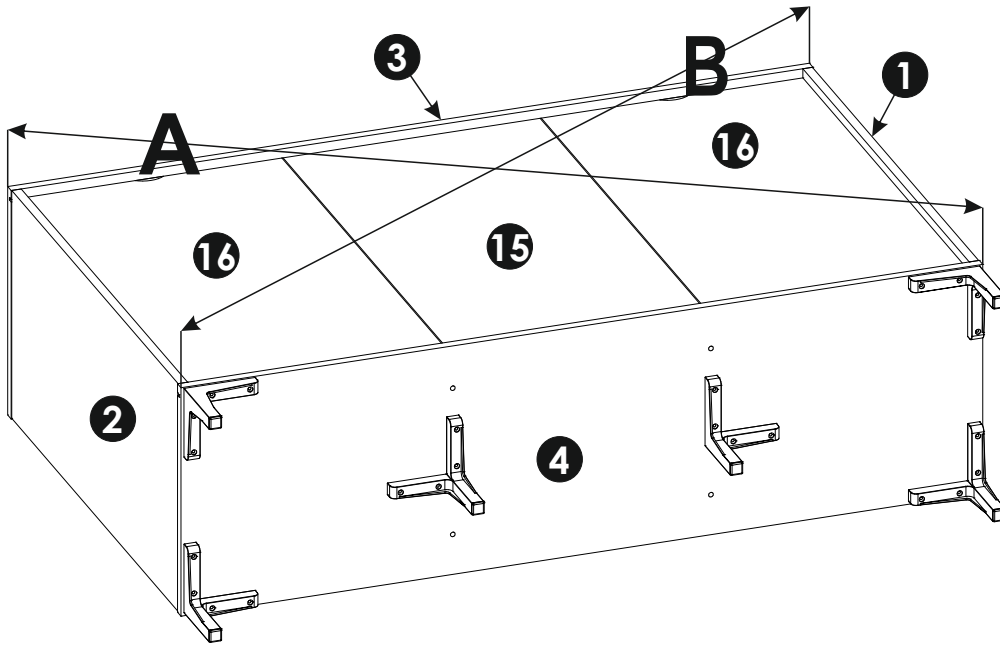
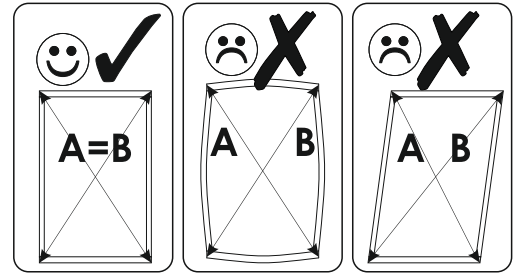
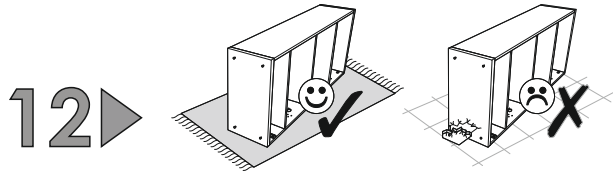


7 ▶

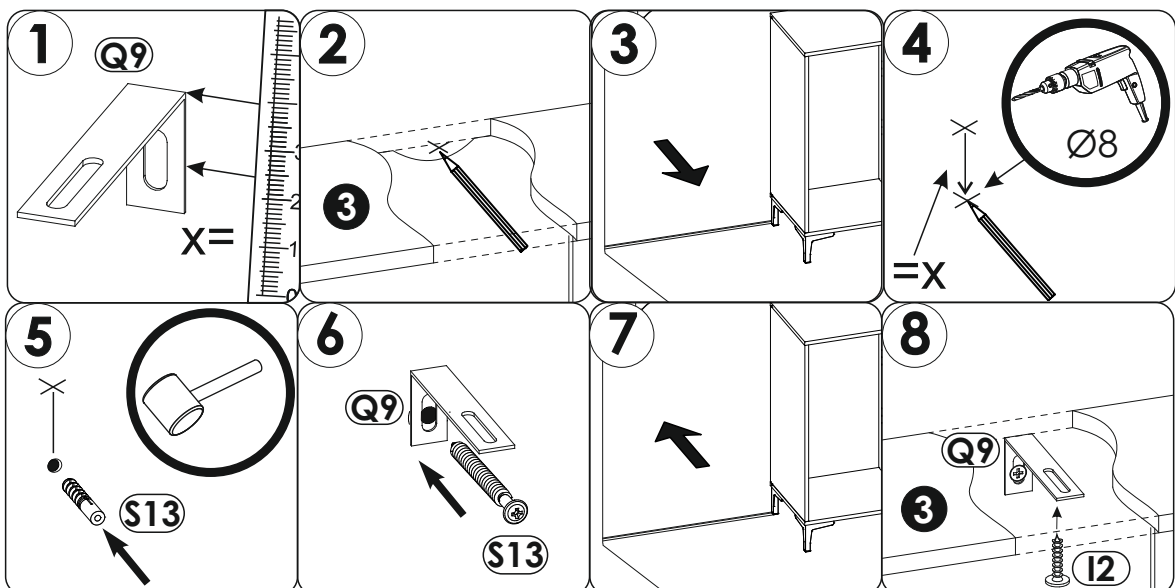
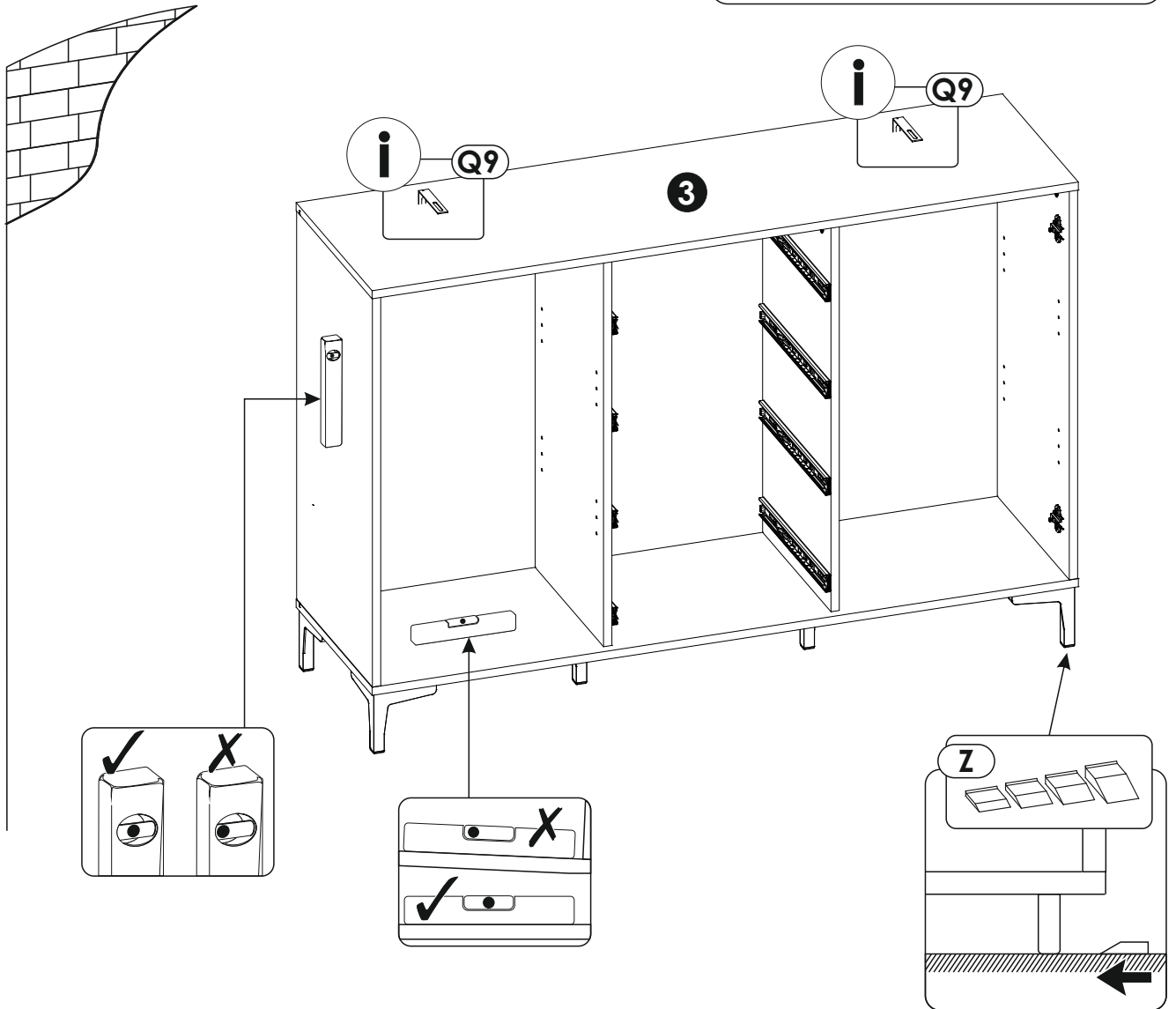
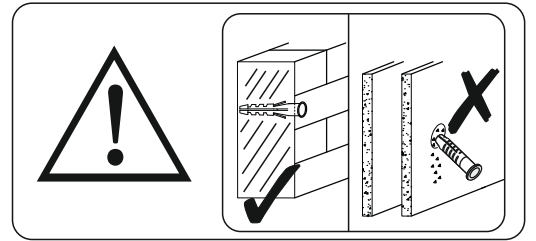




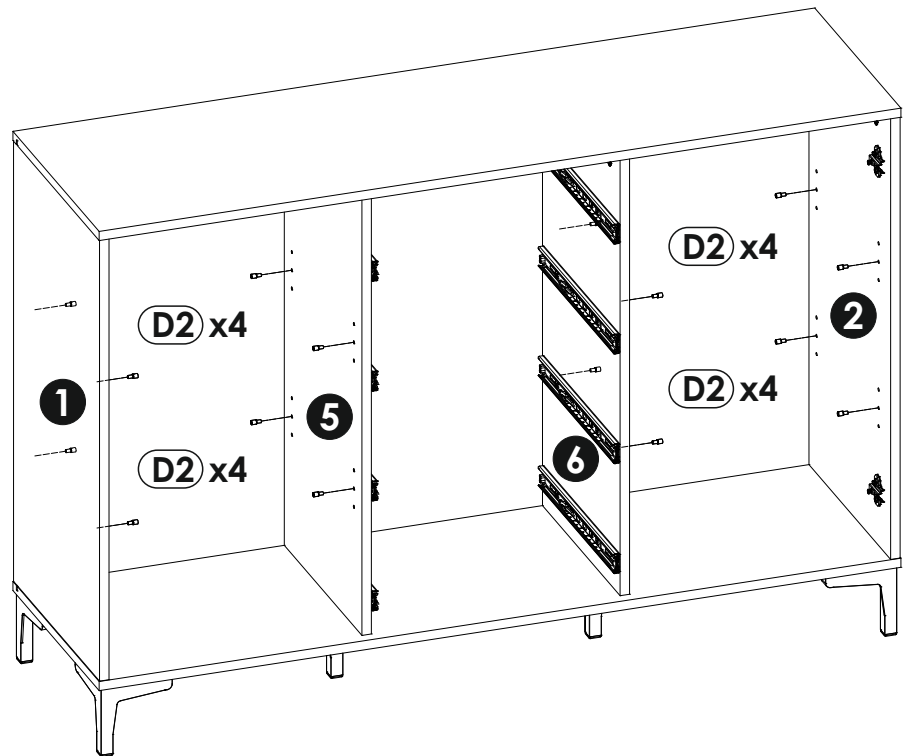
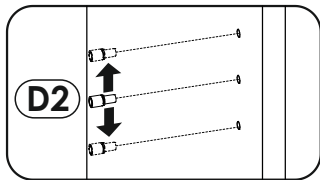




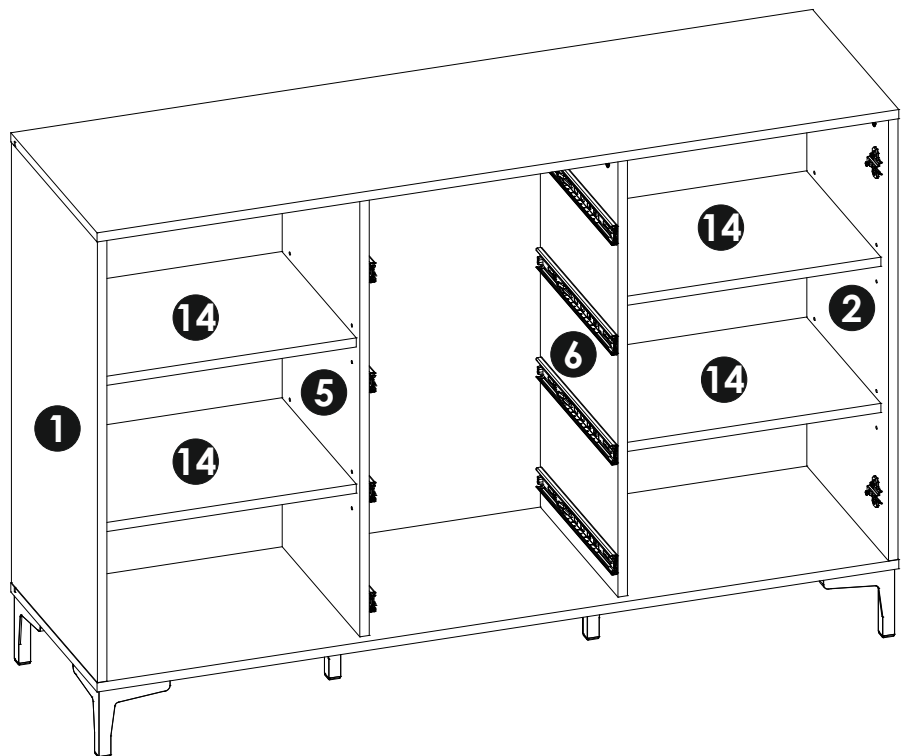
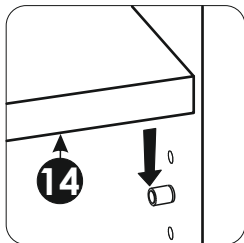
14 ▶

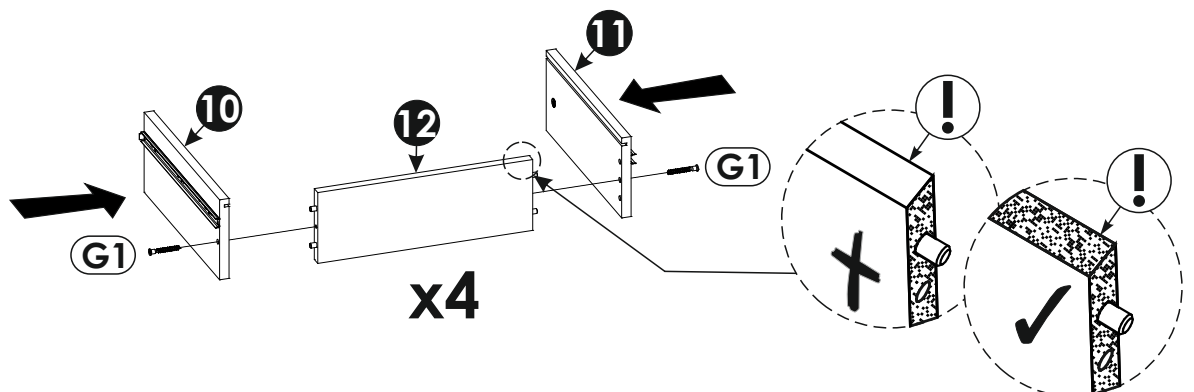
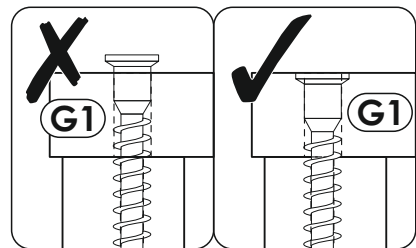
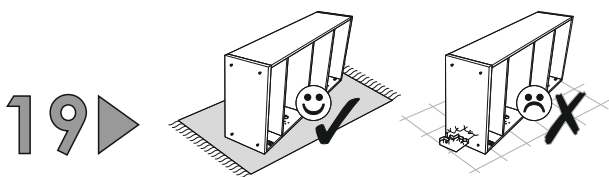
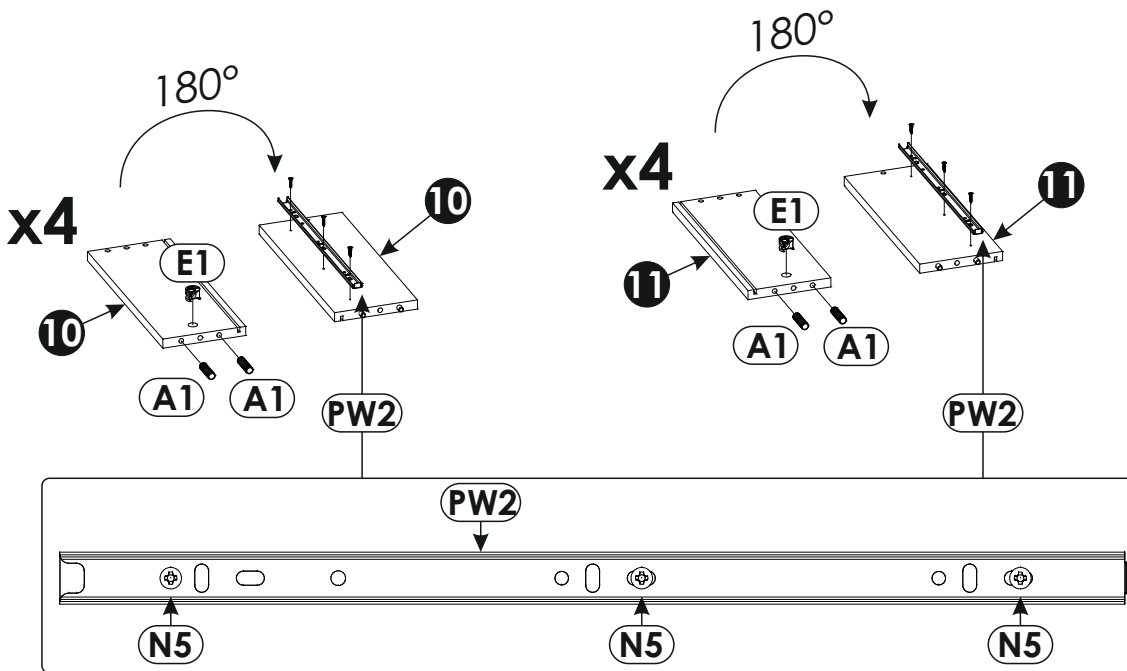
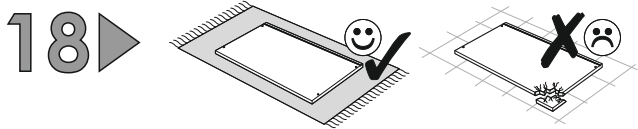
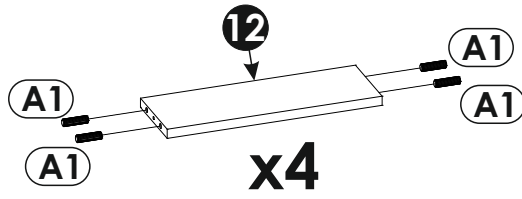
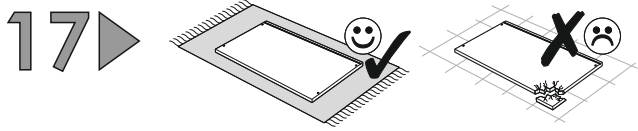


15▶

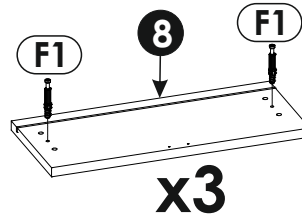
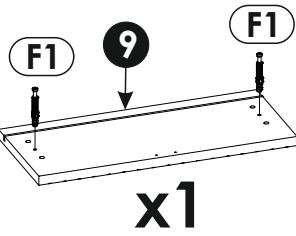
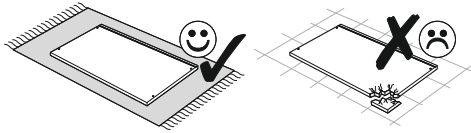


16▶

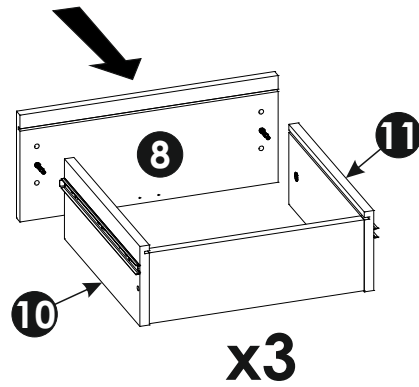
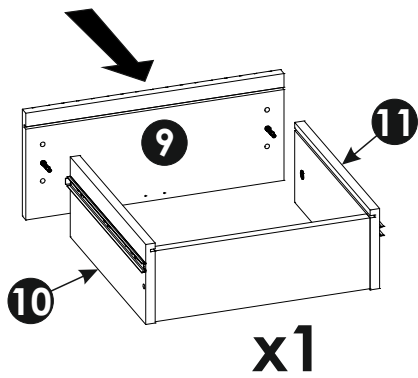
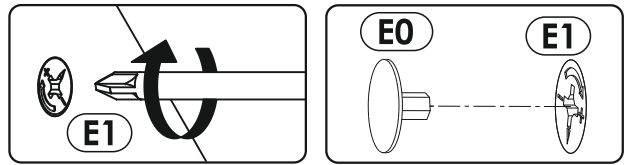
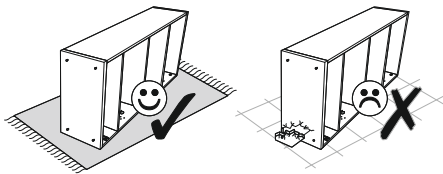




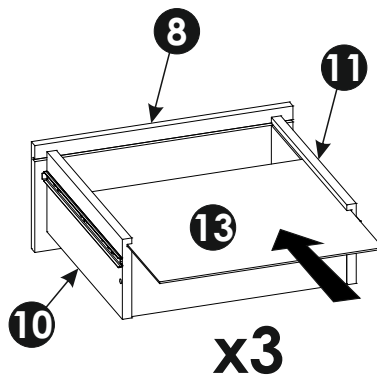
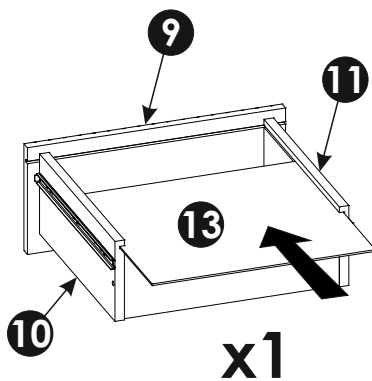
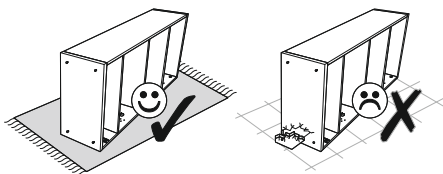
20 ▶



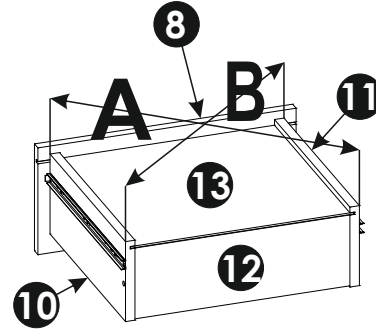
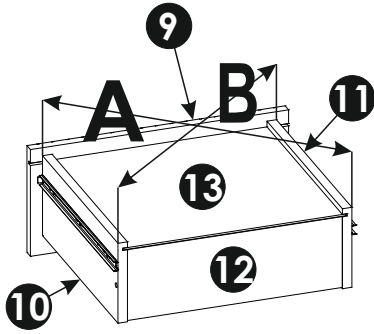
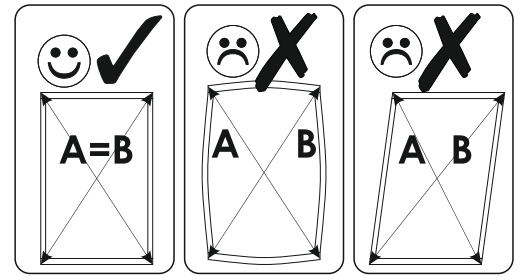
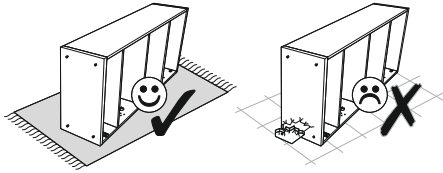
21 ▶



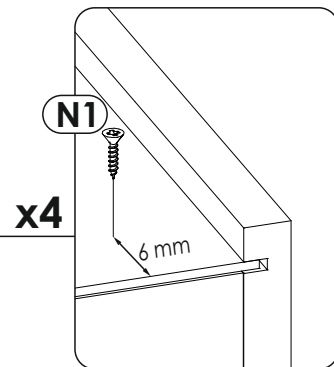
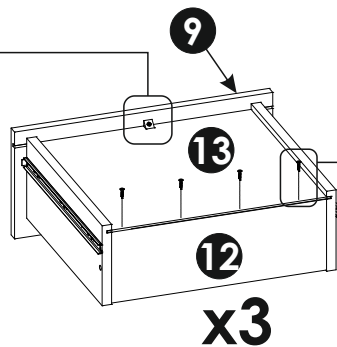
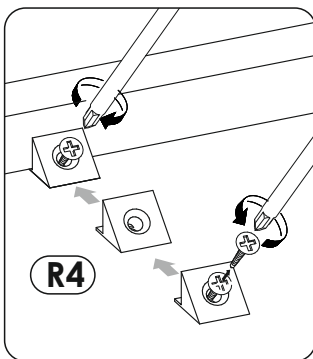
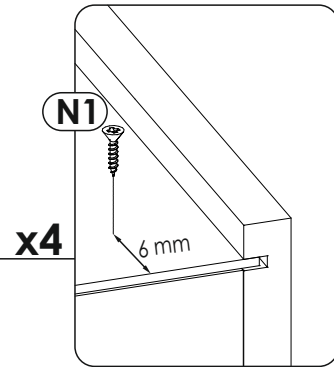
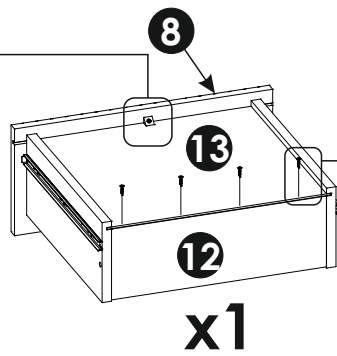
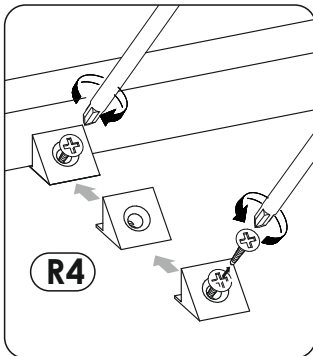
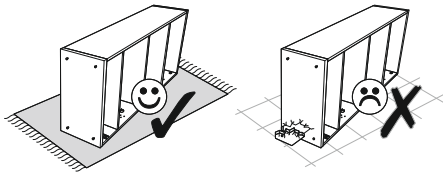
22 ▶



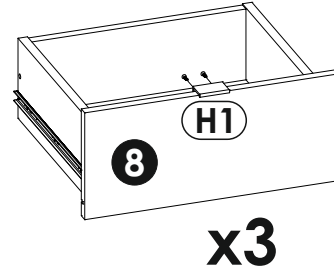
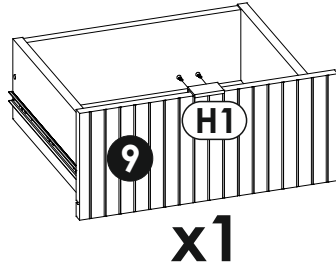
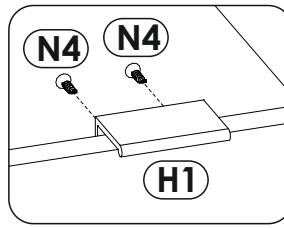
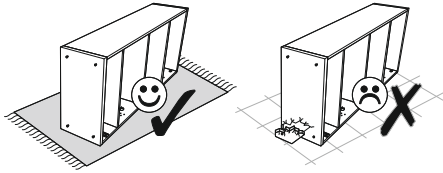
23 ▶



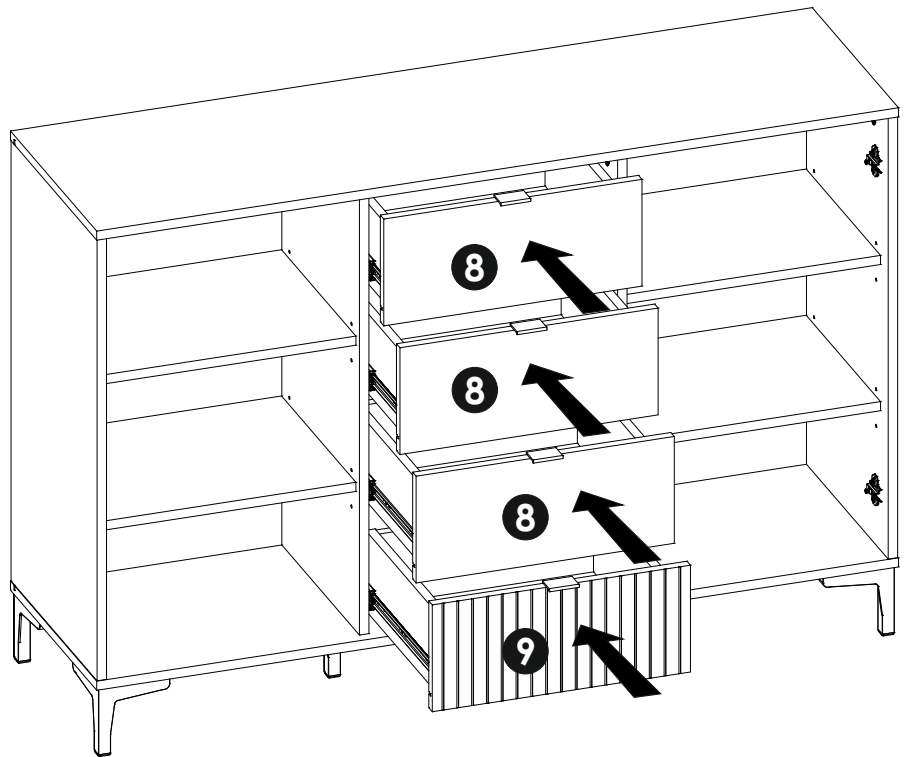
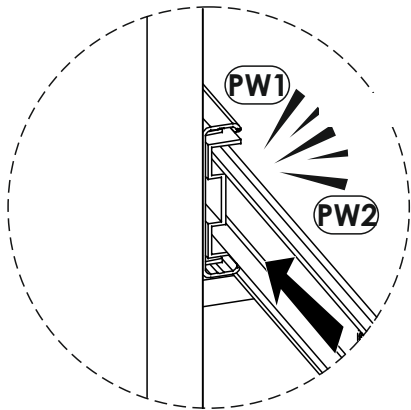
24 ▶



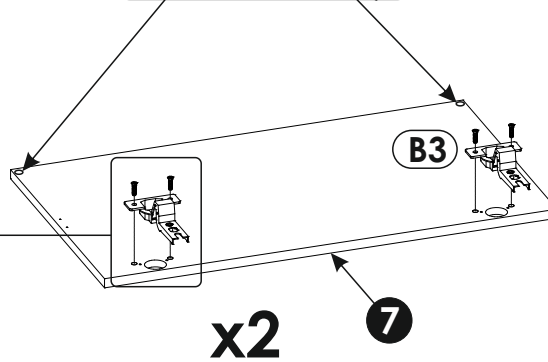
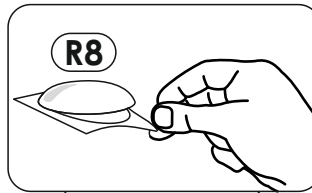
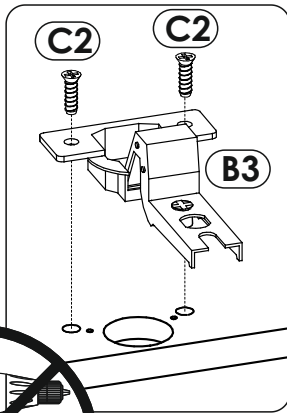
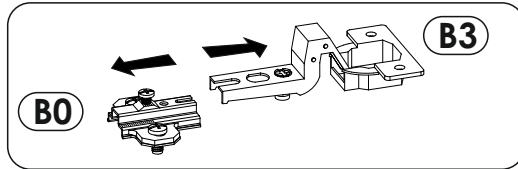
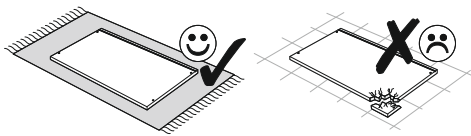
25 ▶



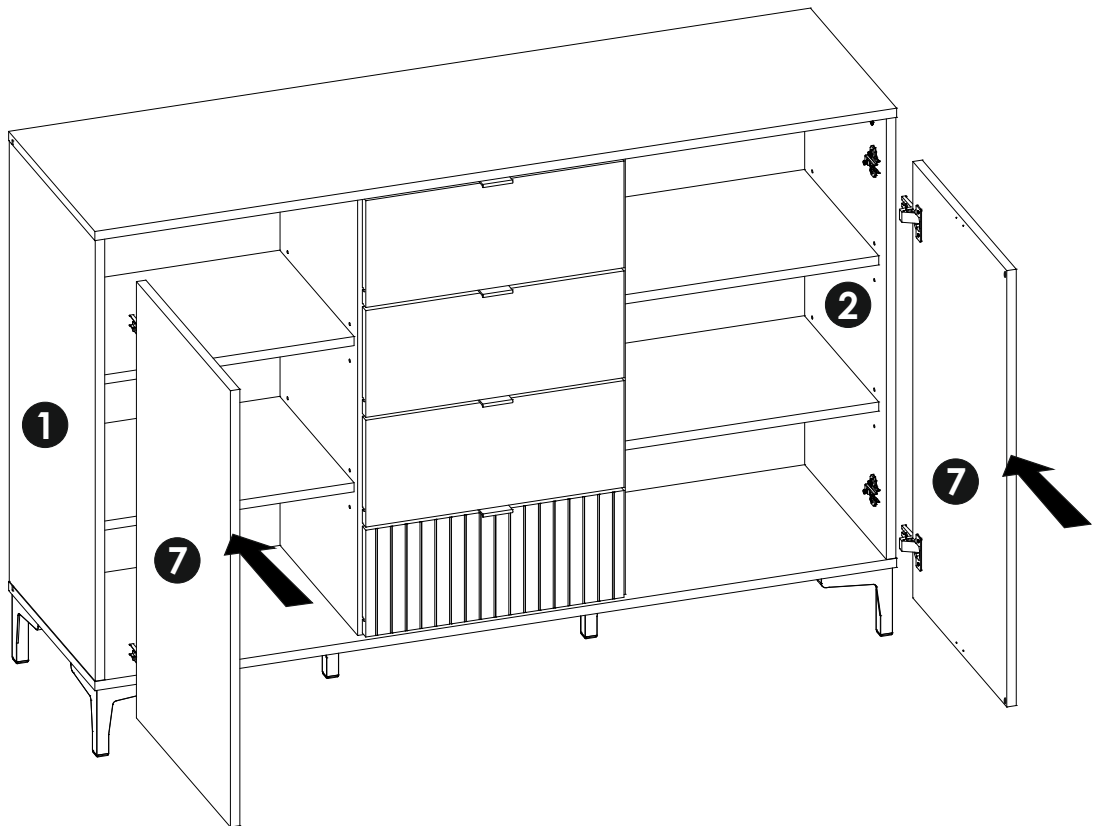
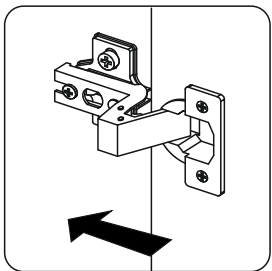
26 ▶



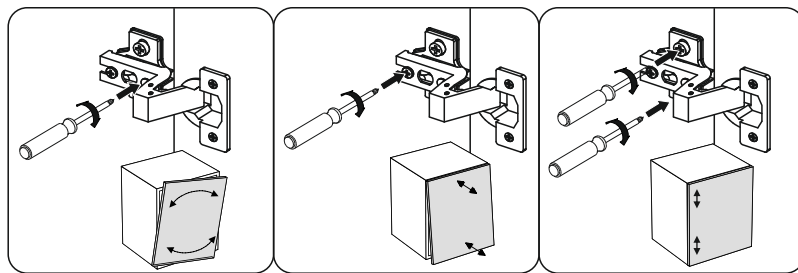
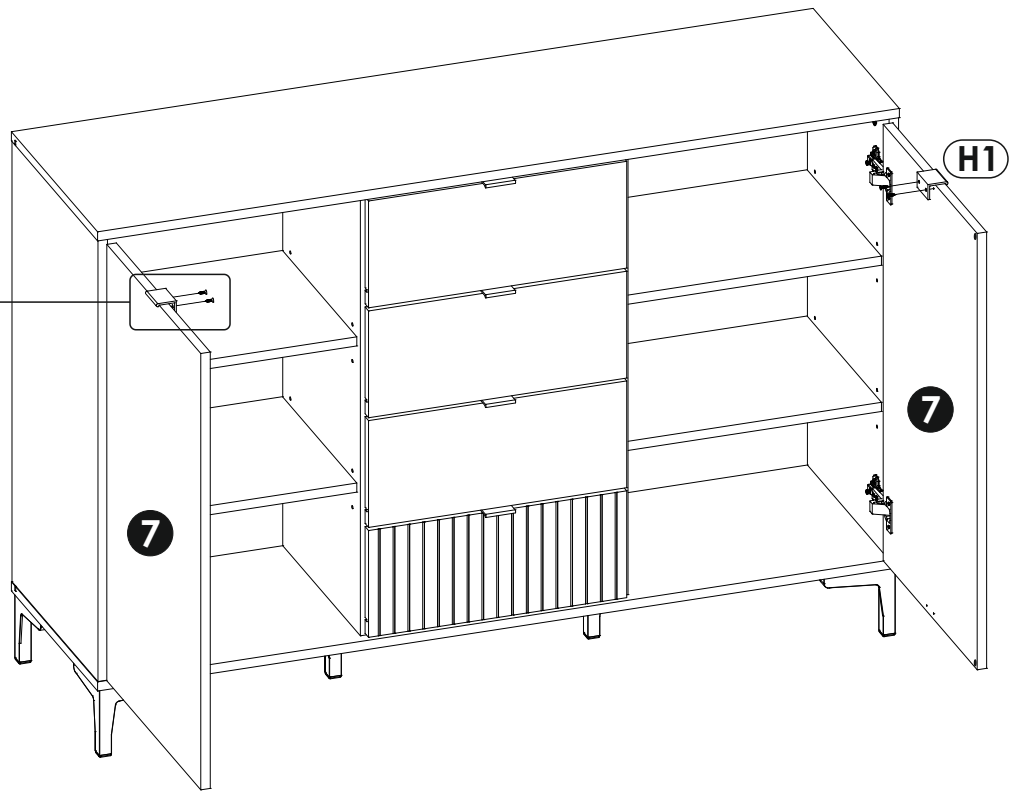
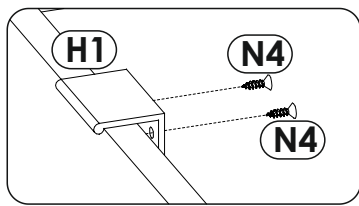
27 ▶



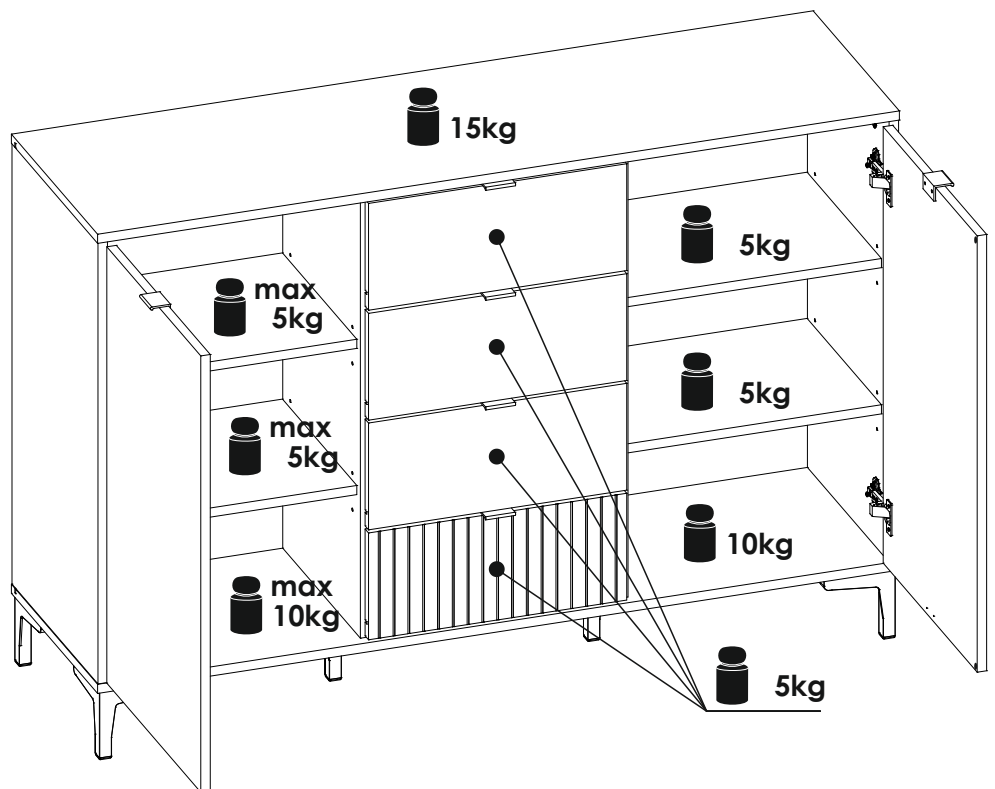
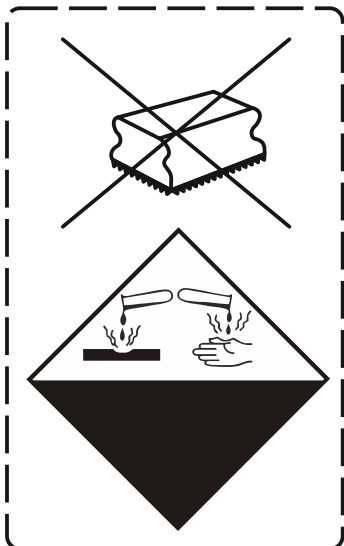
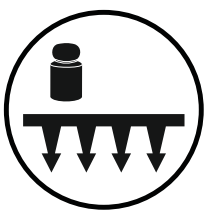
28 ▶

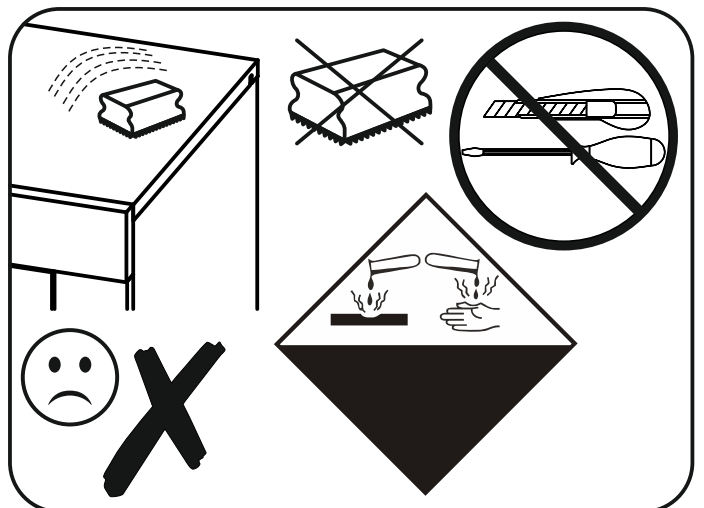
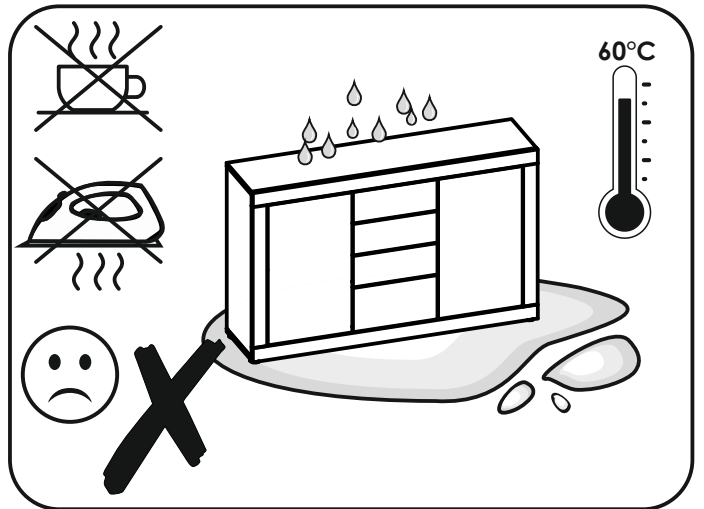
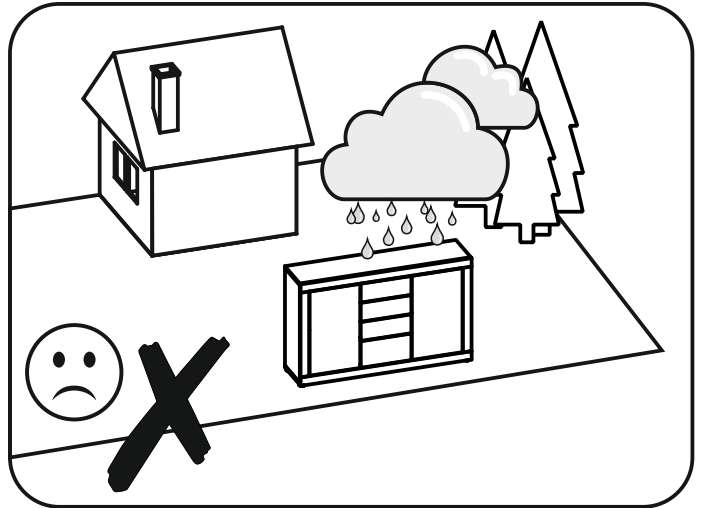


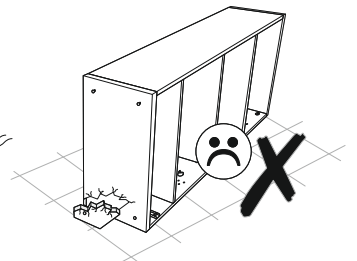
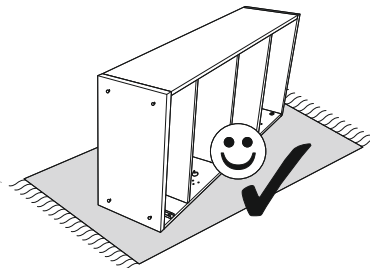
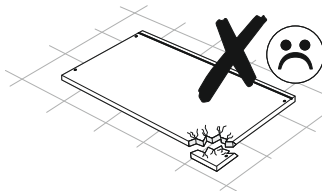
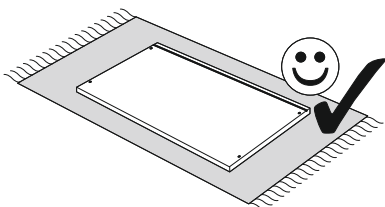
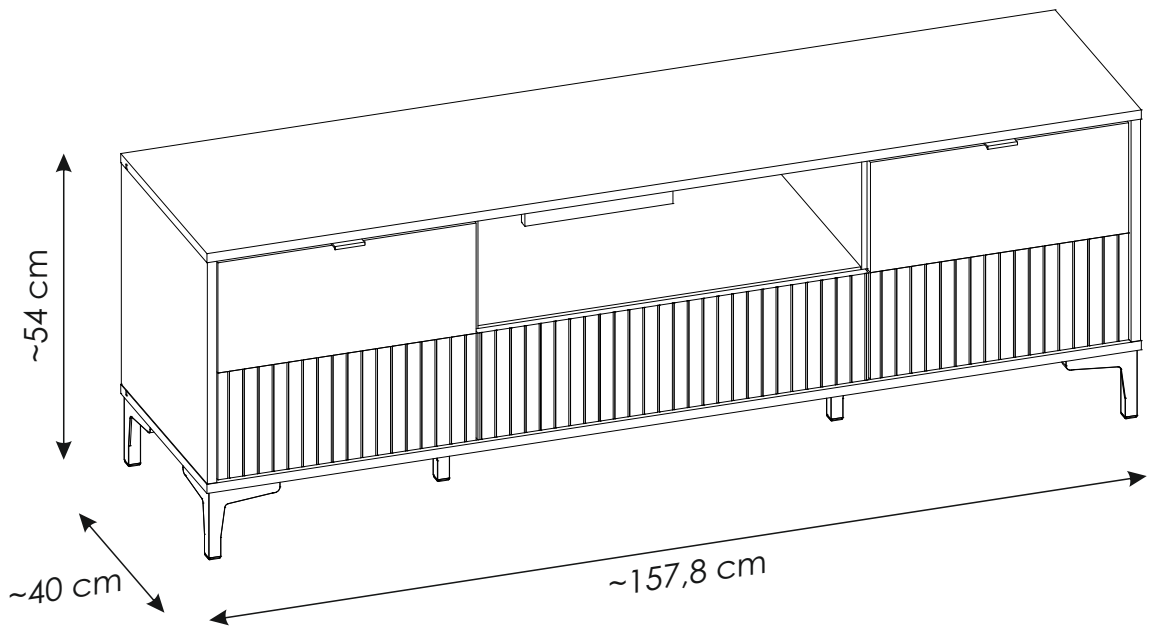
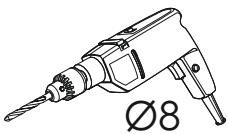
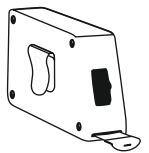
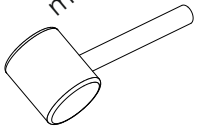
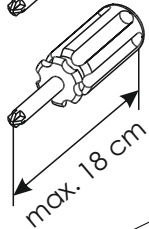
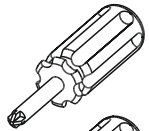
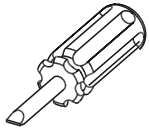
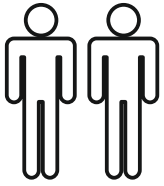
29 ▶

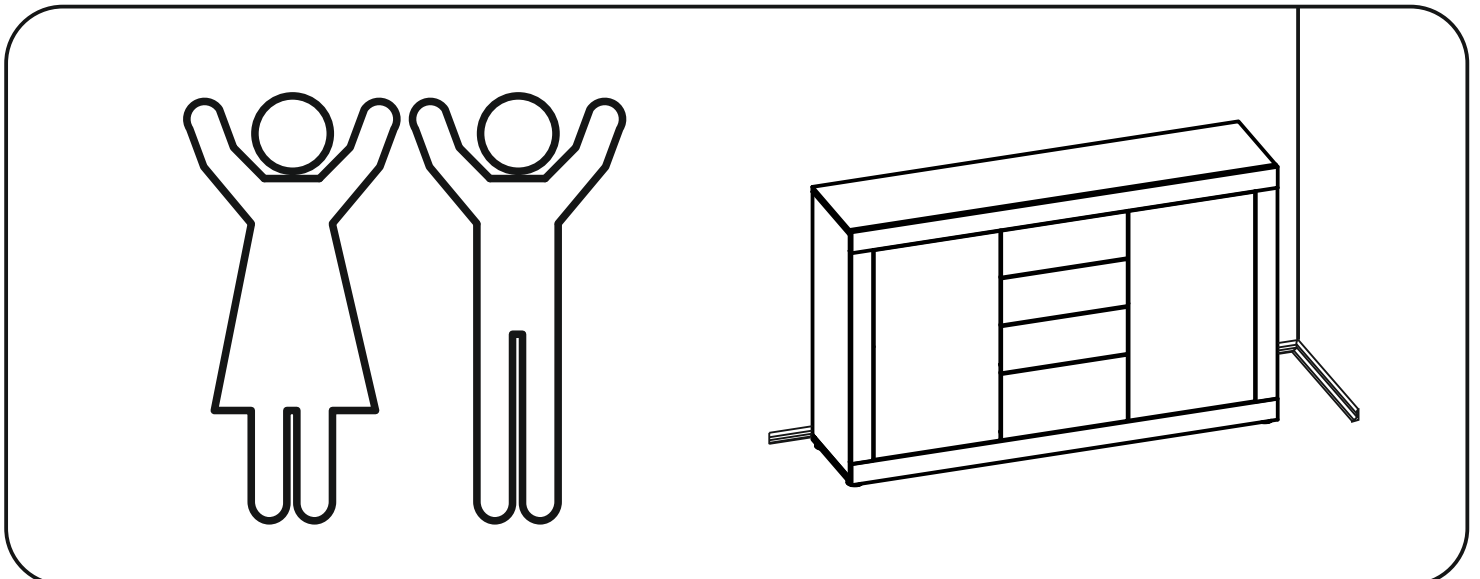
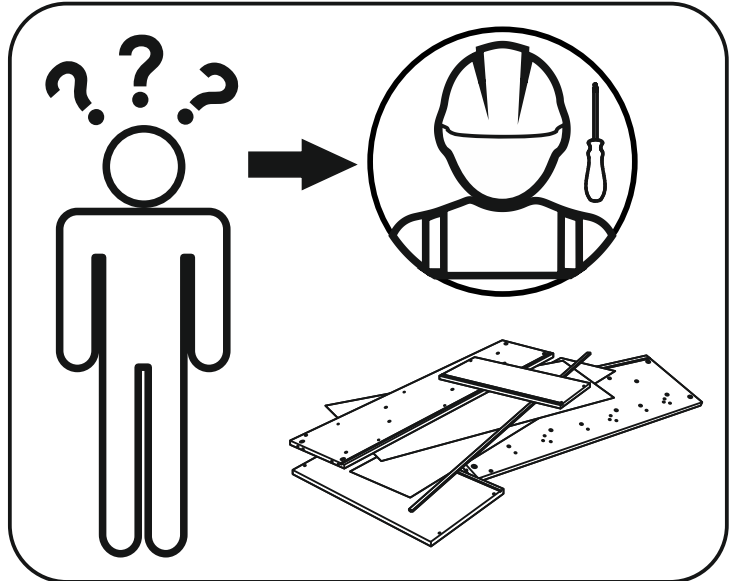
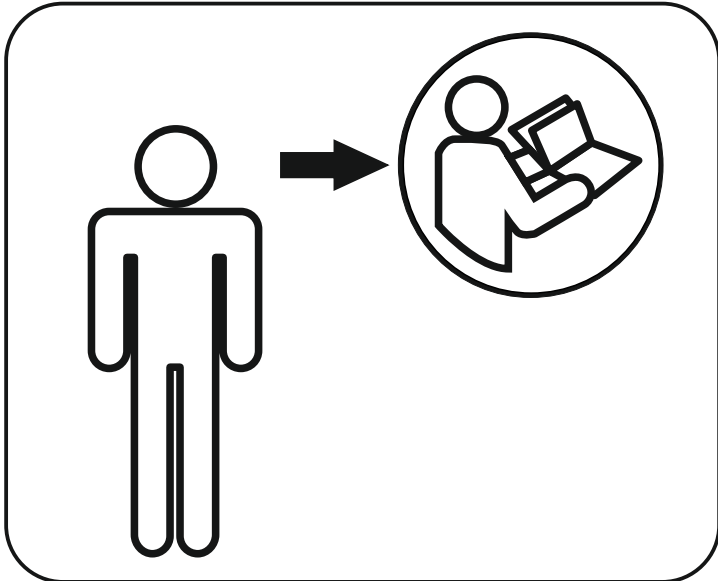
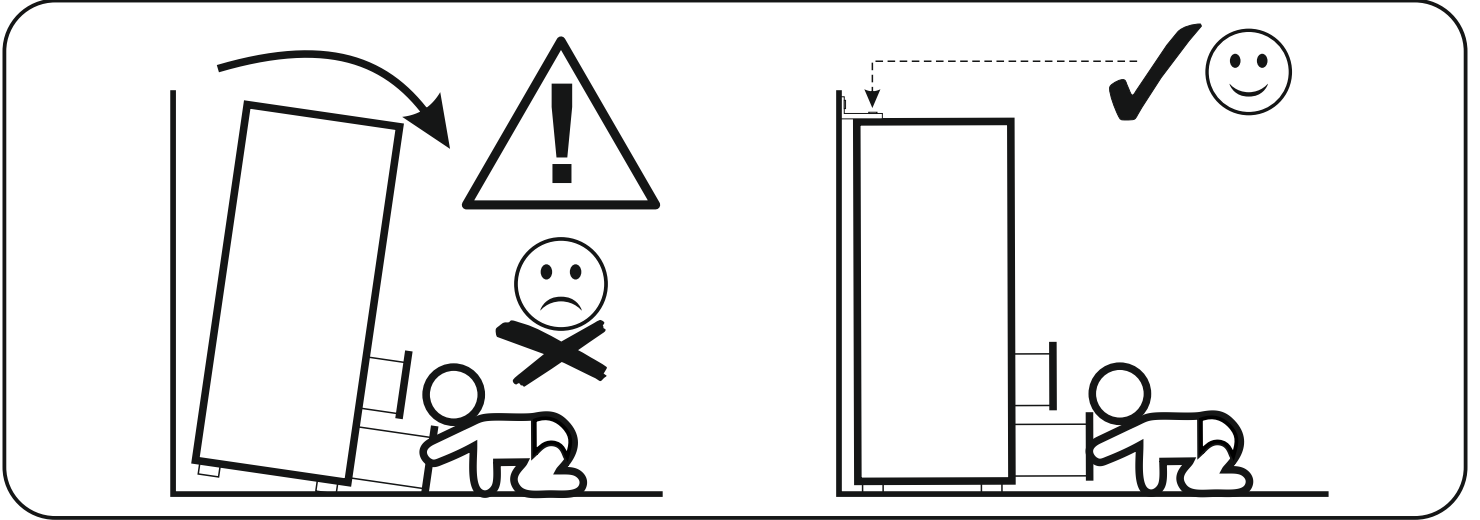
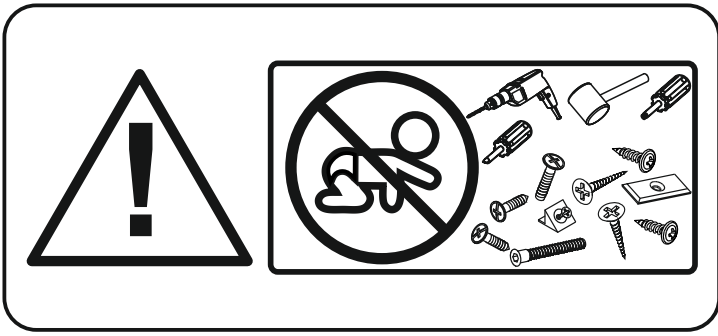


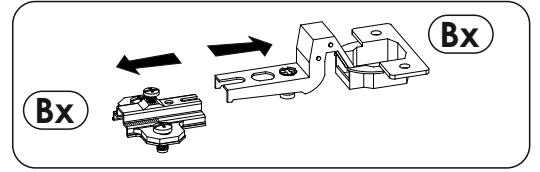
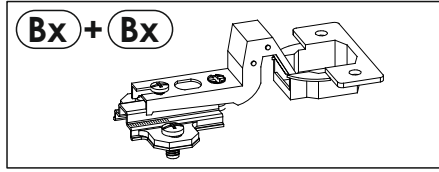
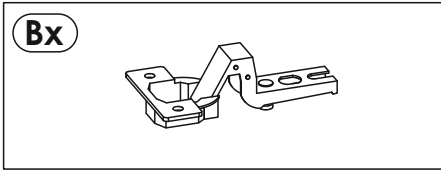
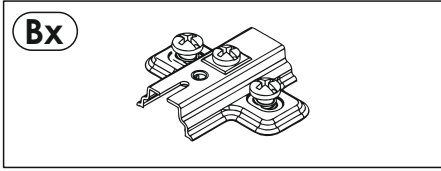
30 ▶

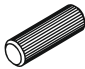

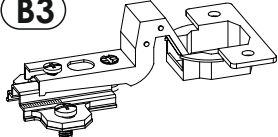
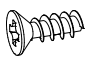
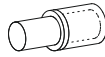
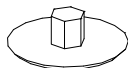

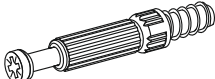
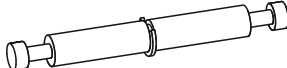
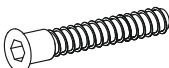
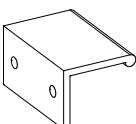
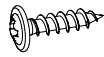
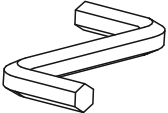
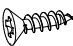

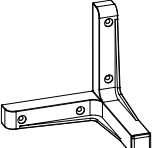
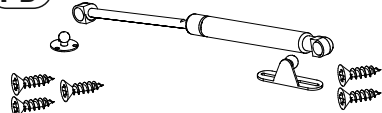
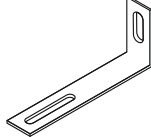
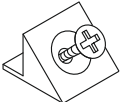
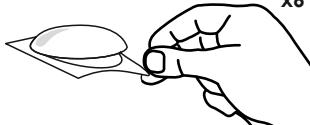
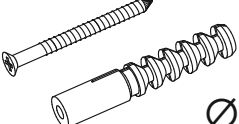
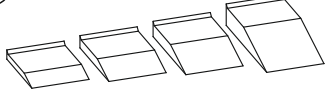
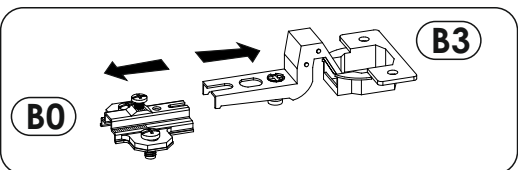


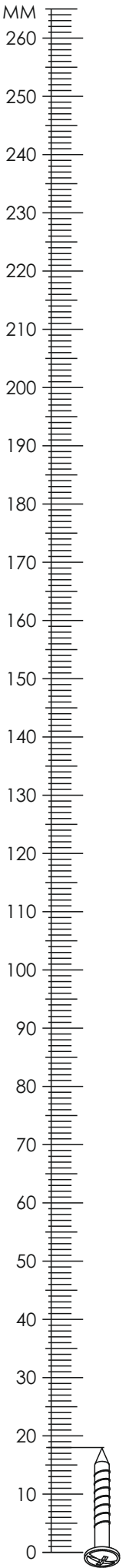


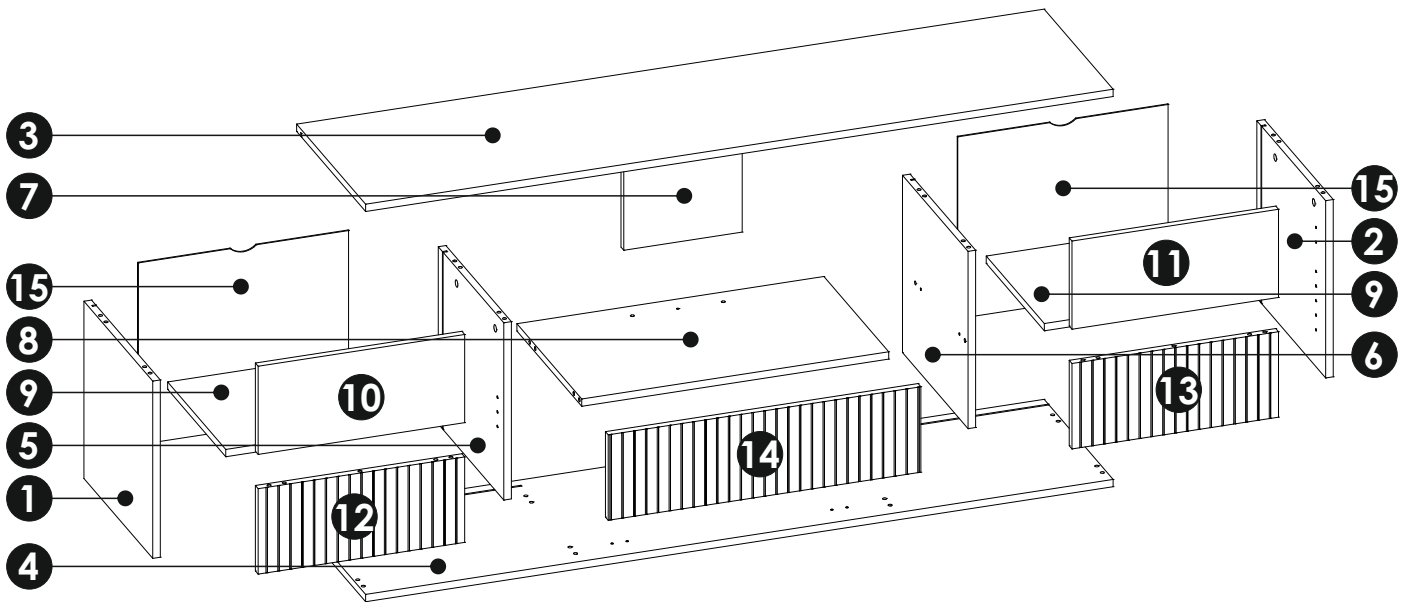
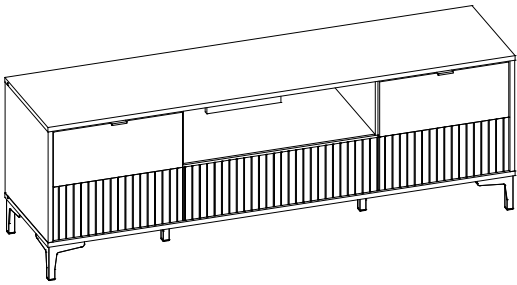






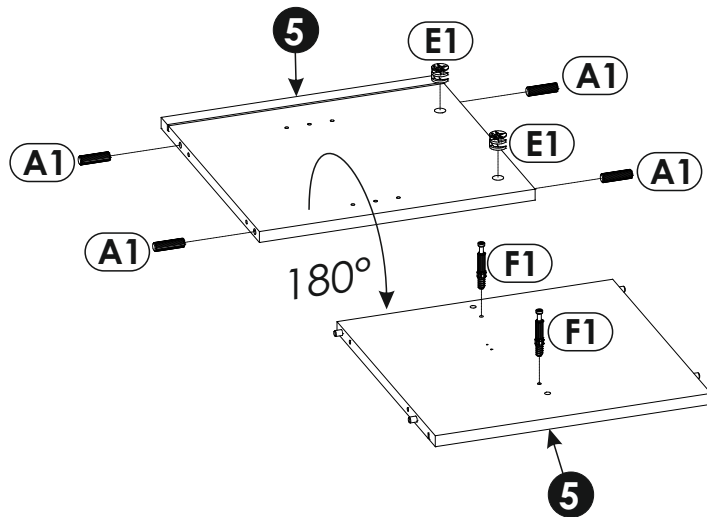
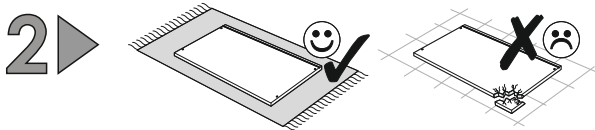
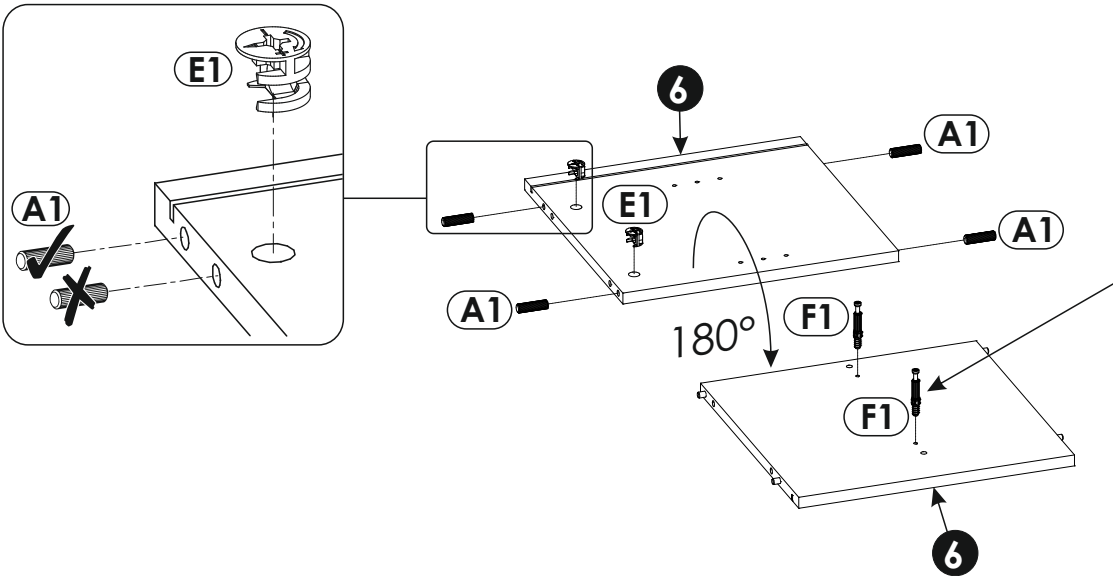
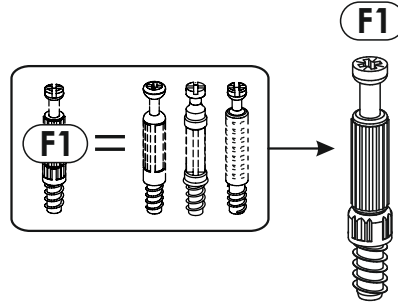
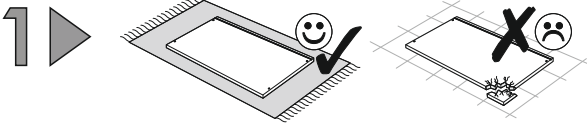
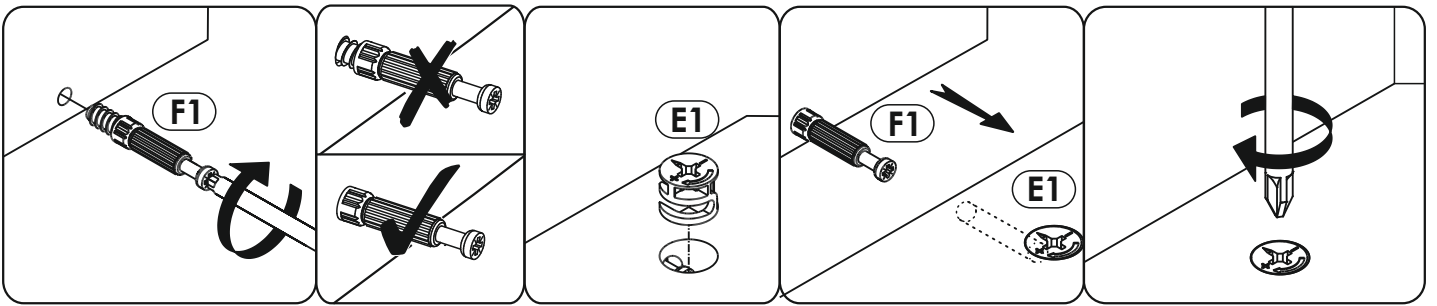
A1 8 x 35 mm x24 	A2 8 x 45 mm x6 	B0 + B3 x6 
C2 5 x 13 mm x12 	D2 x8 	E0 Ø16 x22 
E1 15 x 12 mm x22 	F1 6 x 34 mm x14 	F3 7 x 64 mm x4 
G1 7 x 50 mm x8 	H1 x3  L - 50 mm	I2 4 x 16 mm x2 
M x1 	N4 3,5 x 13 mm x6 	N7 3,5 x 30 mm x24 
O12 x6 	PB x1 	Q9 x2 
R4 x8 	R8 x6 	S13 x2  Ø8
Z x1 		

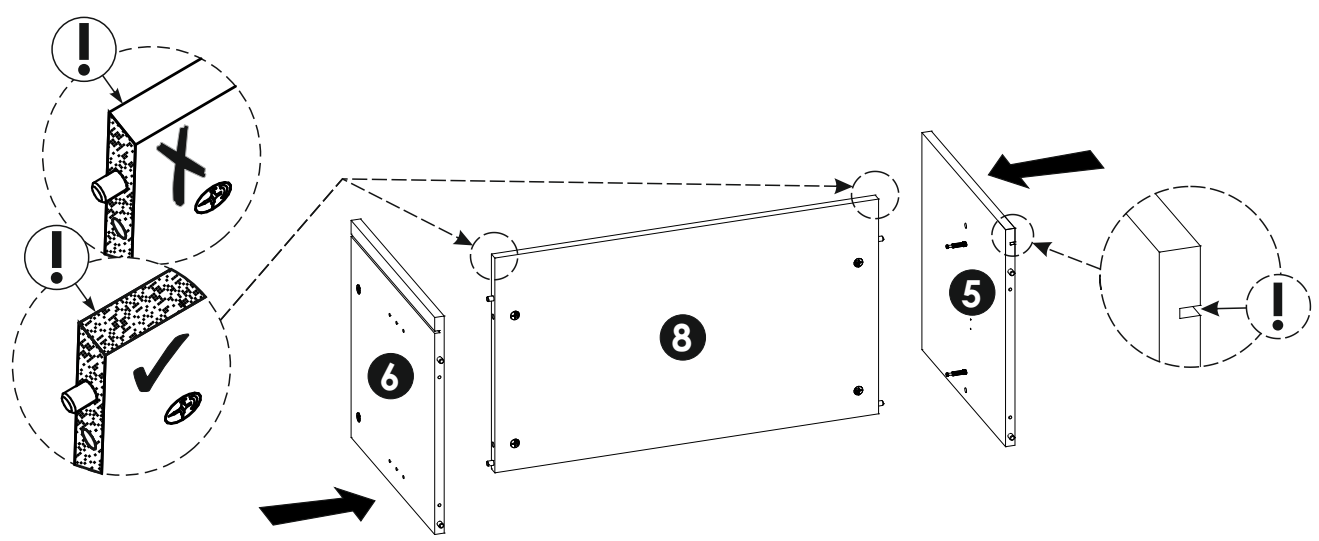
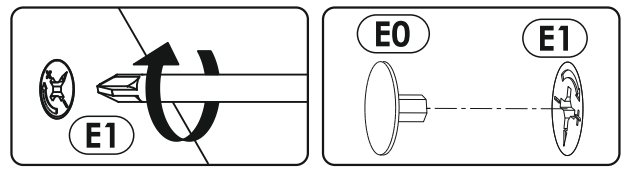
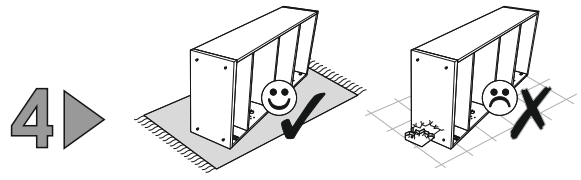
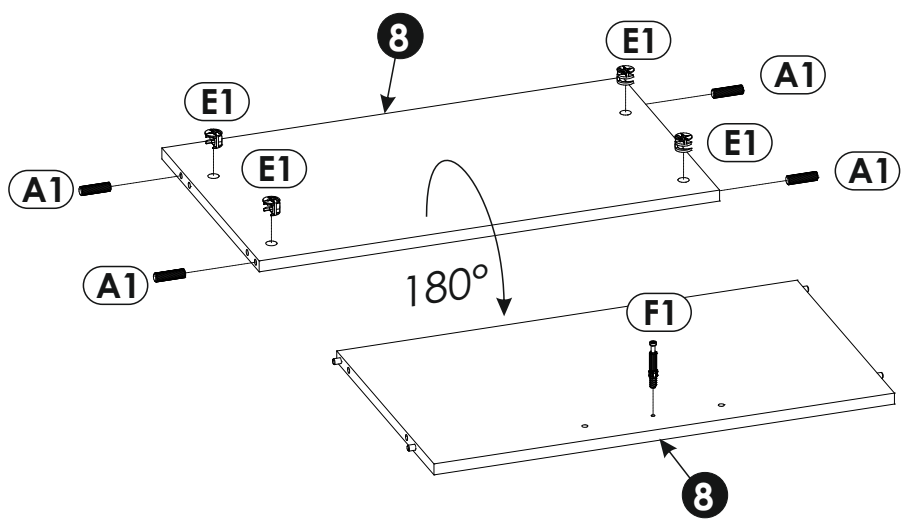
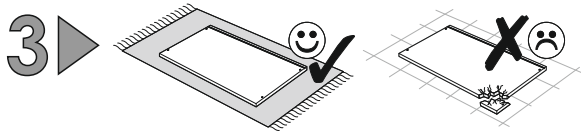




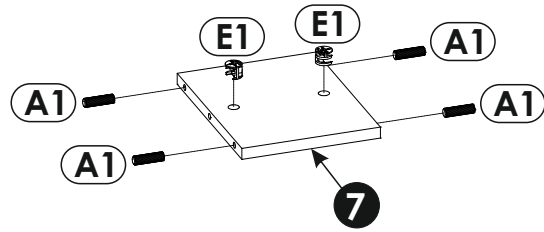
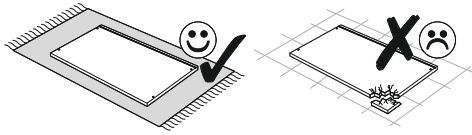
1	388	399	16	x1	2/2
2	388	399	16	x1	2/2
3	1578	400	16	x1	2/2
4	1578	400	16	x1	2/2
5	388	380	16	x1	1/2
6	388	380	16	x1	1/2
7	195	250	16	x1	1/2

8	648	376	16	x1	1/2
9	431	337	16	x2	1/2
10	193	436	16	x1	1/2
11	193	436	16	x1	1/2
12	187	436	16	x1	1/2
13	187	436	16	x1	1/2
14	187	660	16	x1	2/2
15	444	398	3	x2	2/2

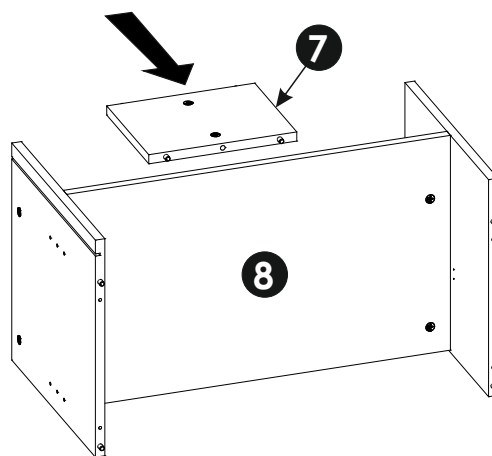
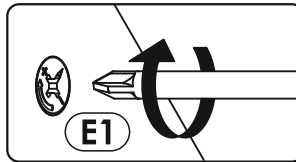
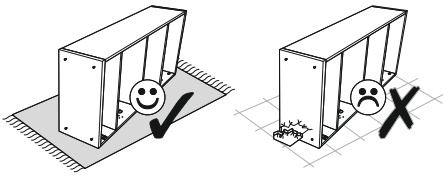




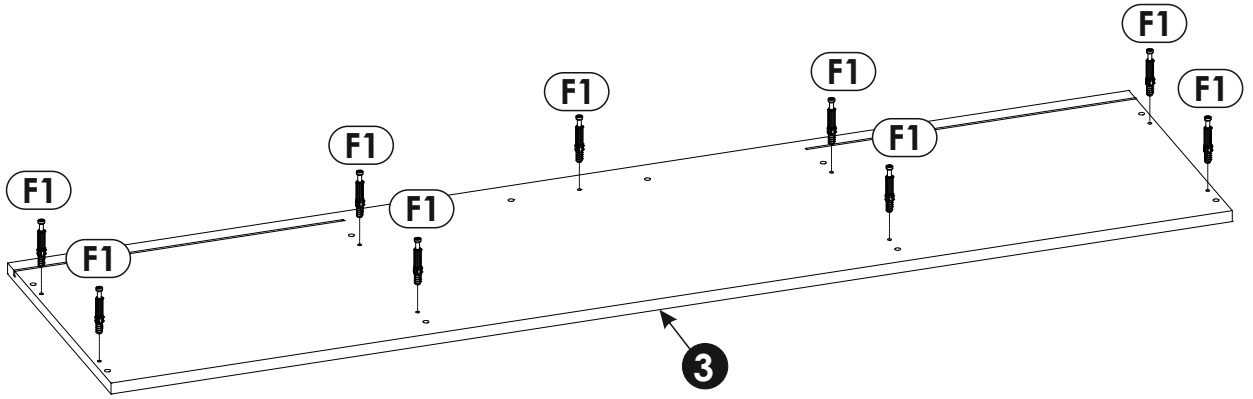
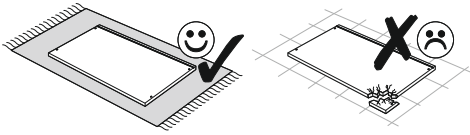
5 ▶



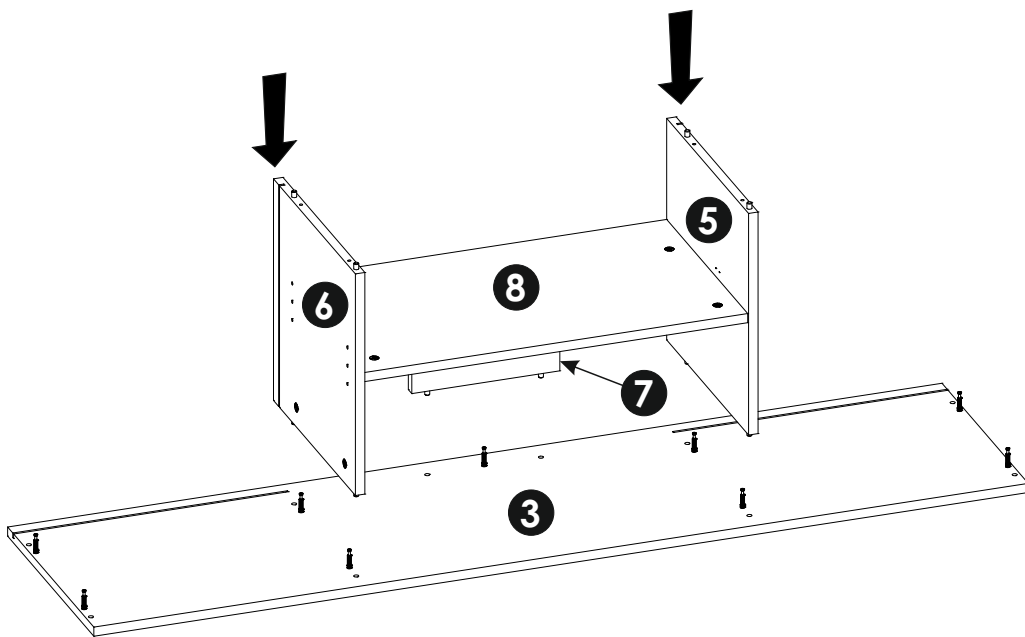
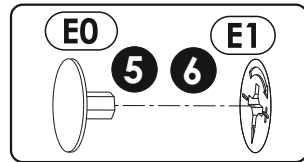
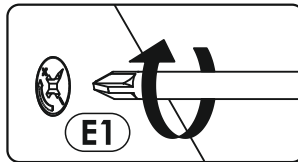
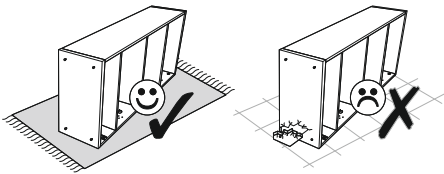
6 ▶



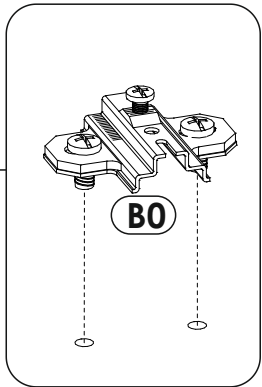
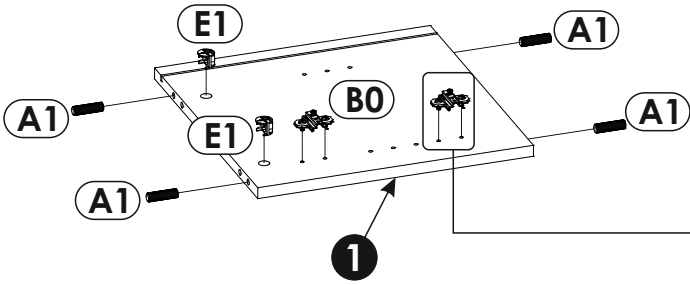
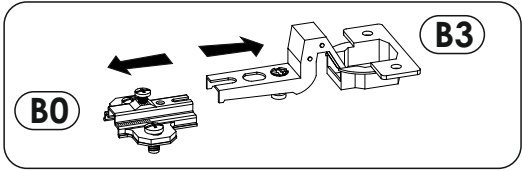
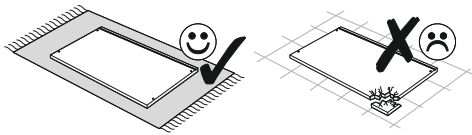
7 ▶



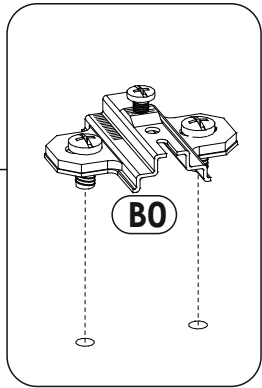
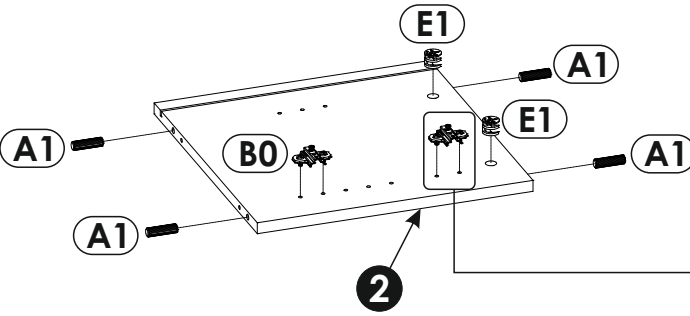
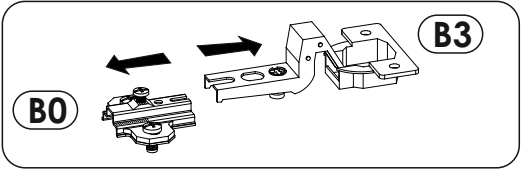
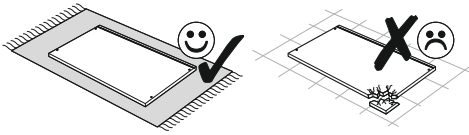
8 ▶



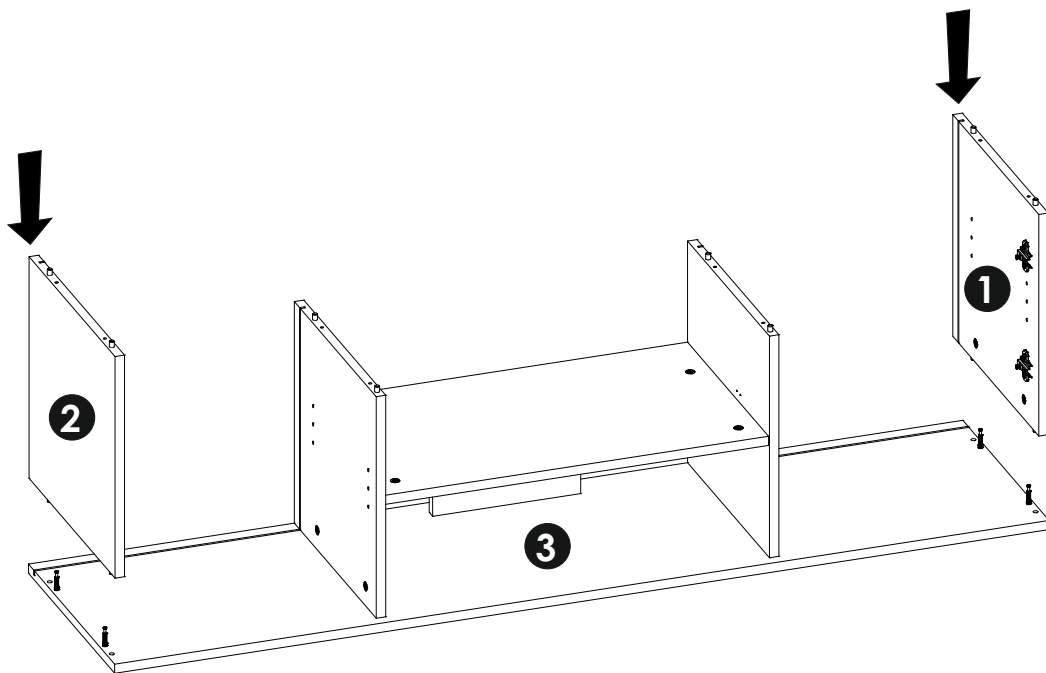
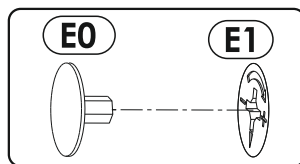
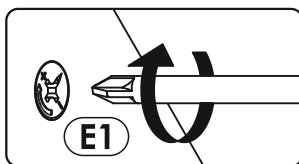
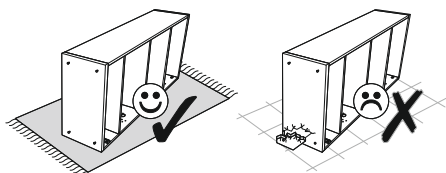
9 ▶



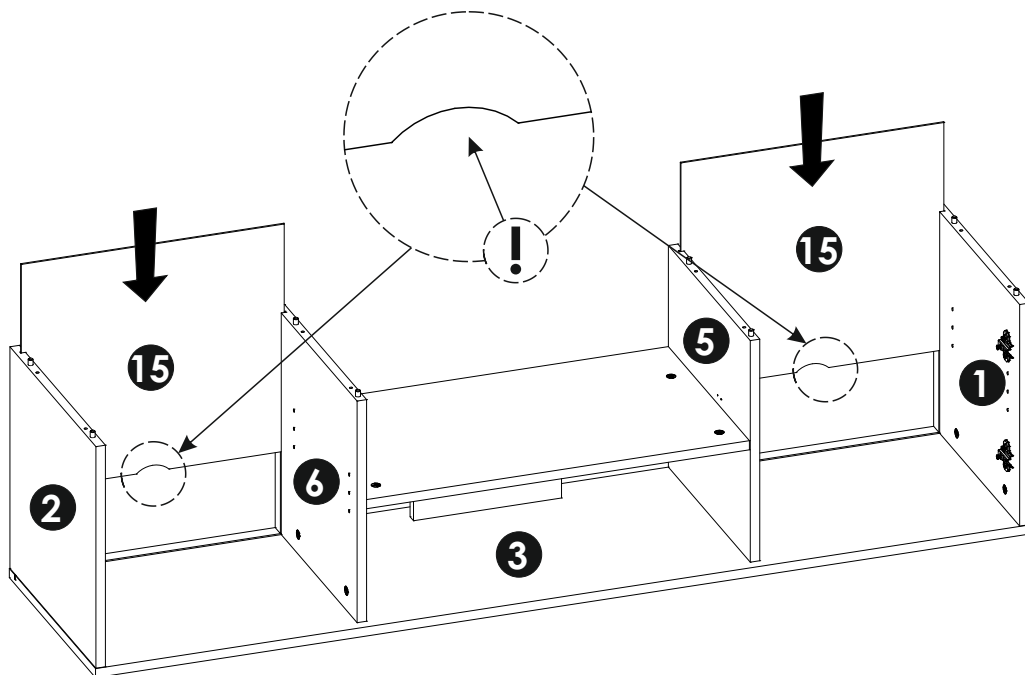
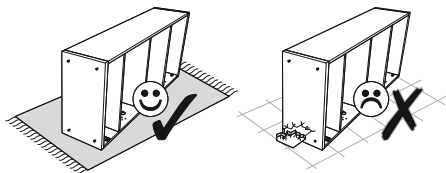
10 ▶

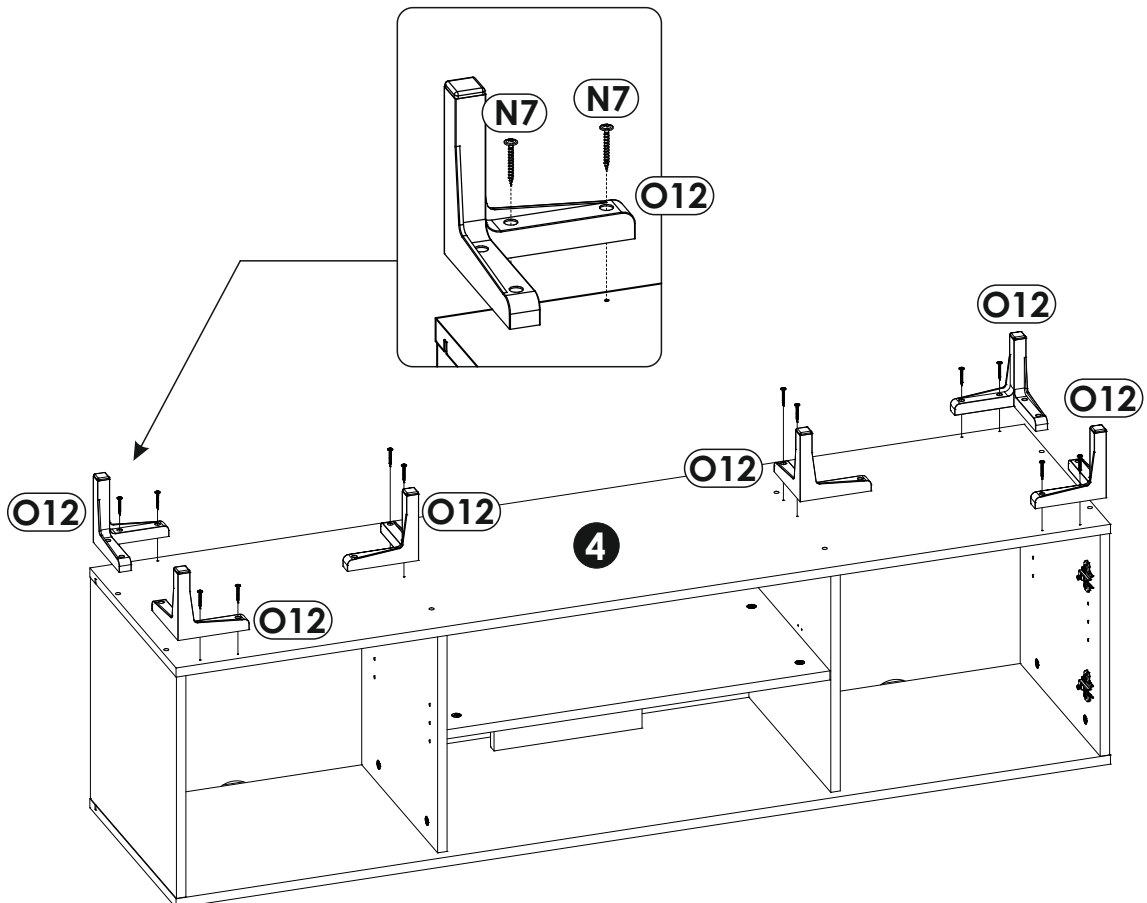
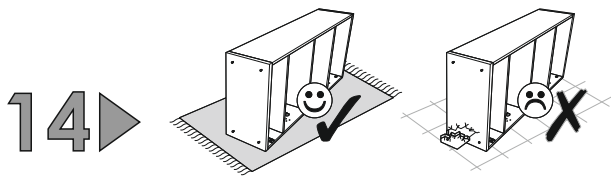
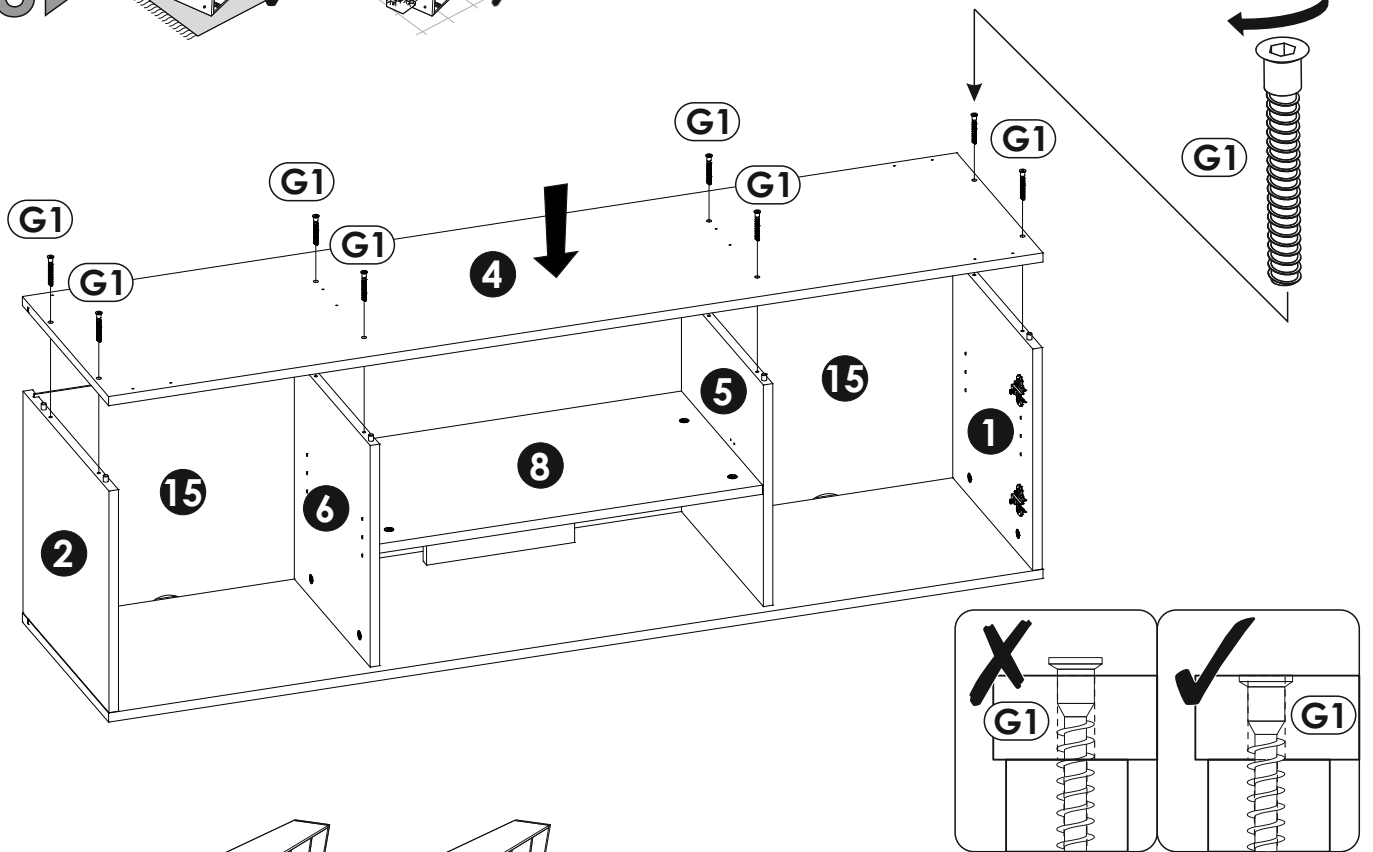
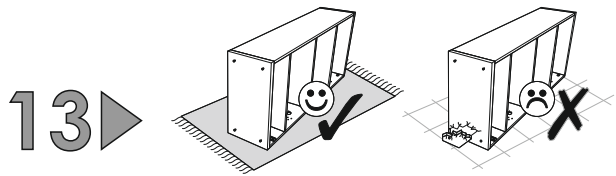


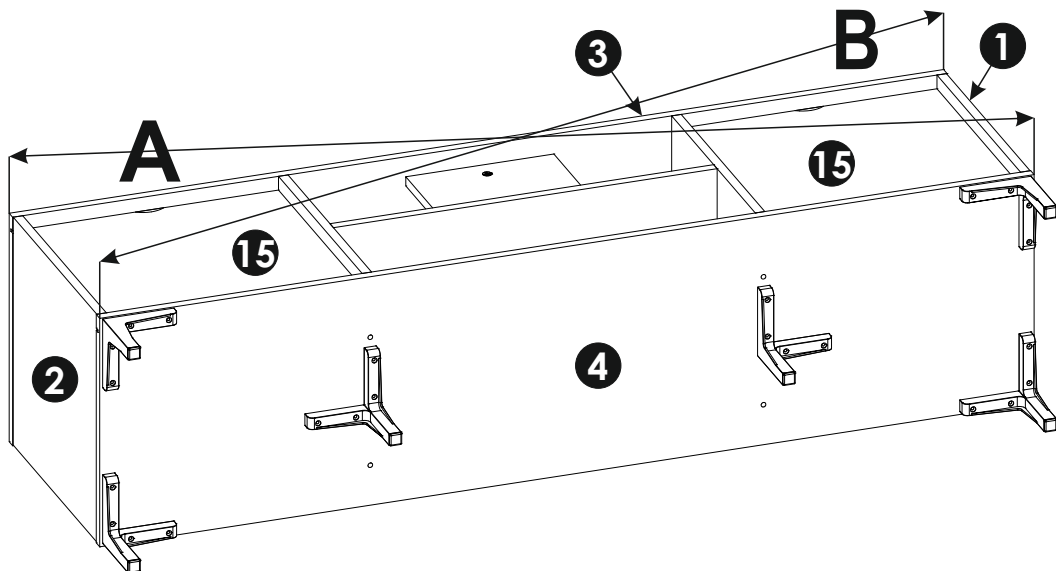
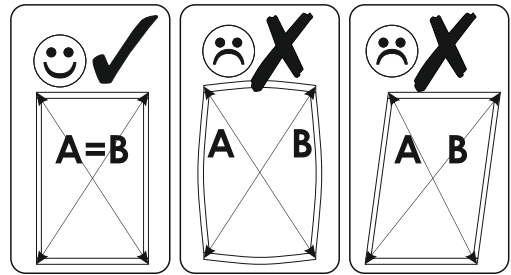
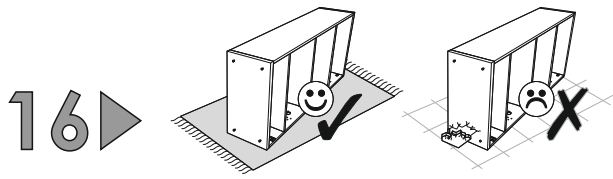
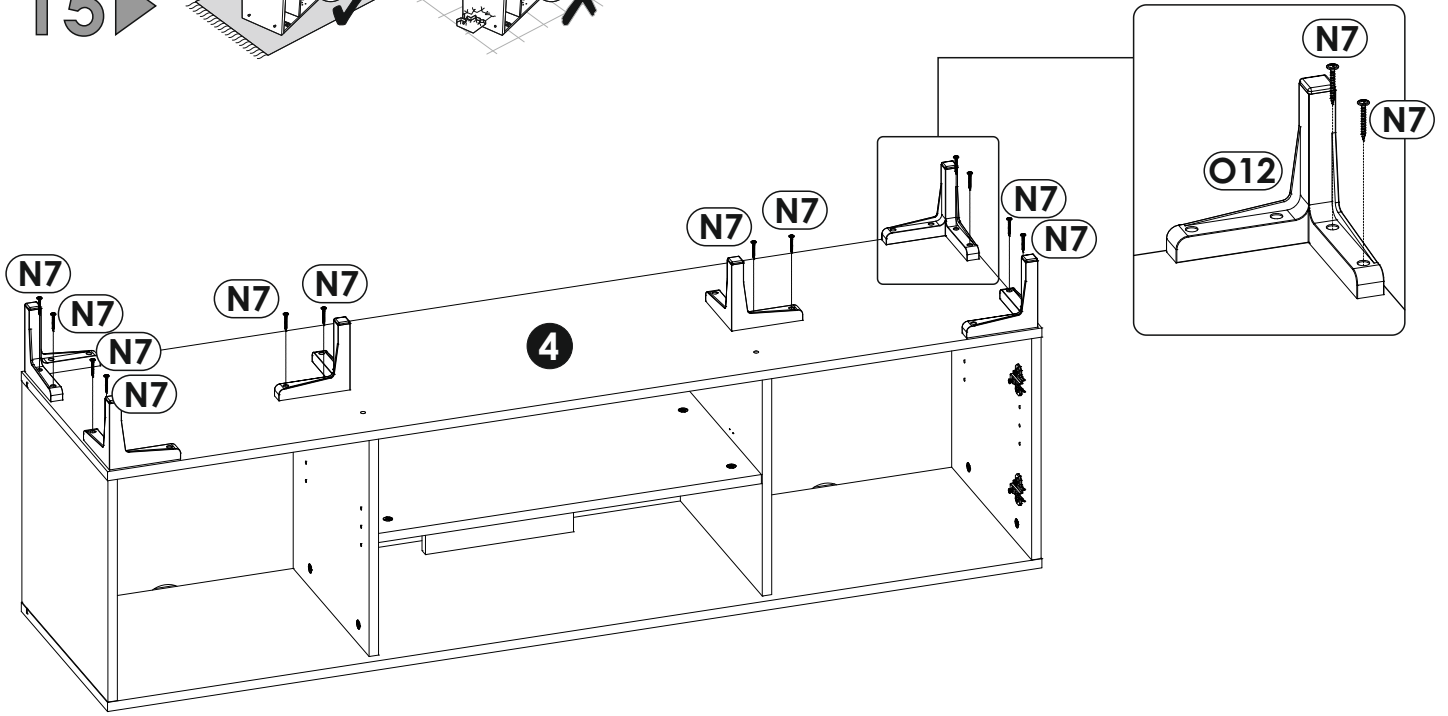
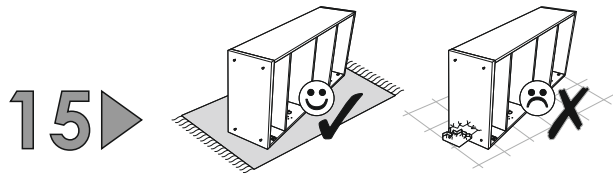
11 ▶



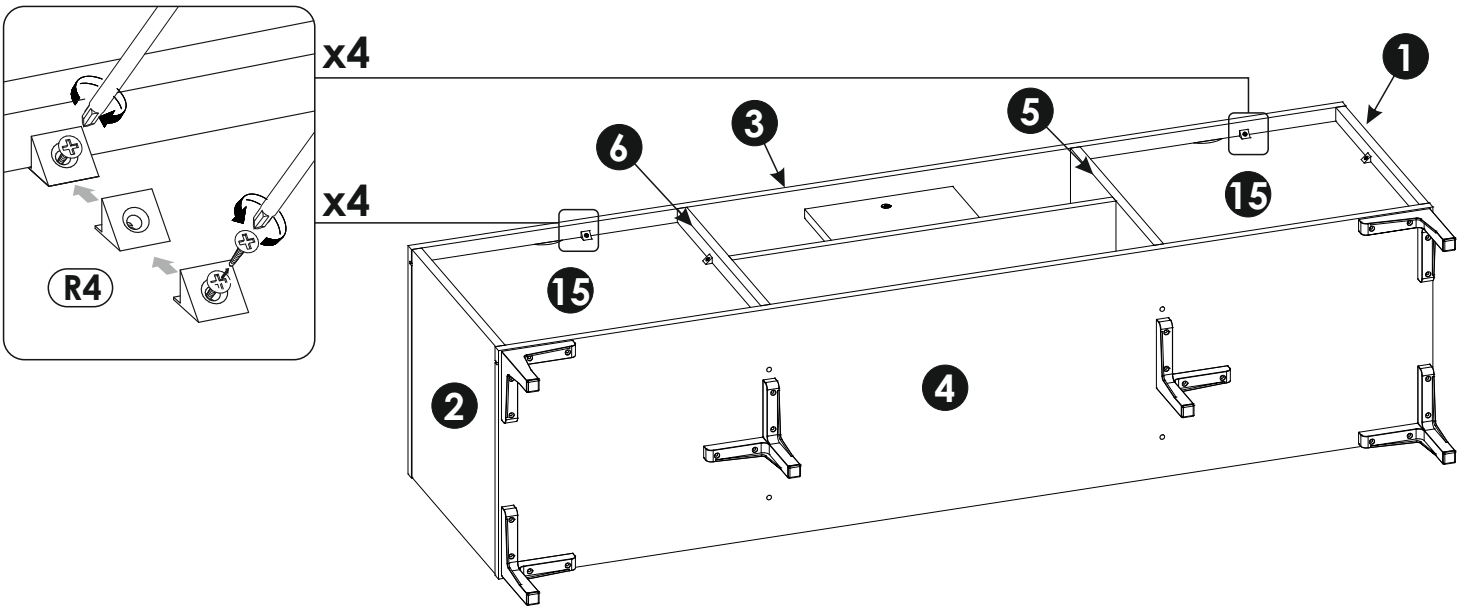
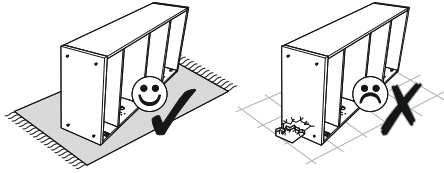
12 ▶

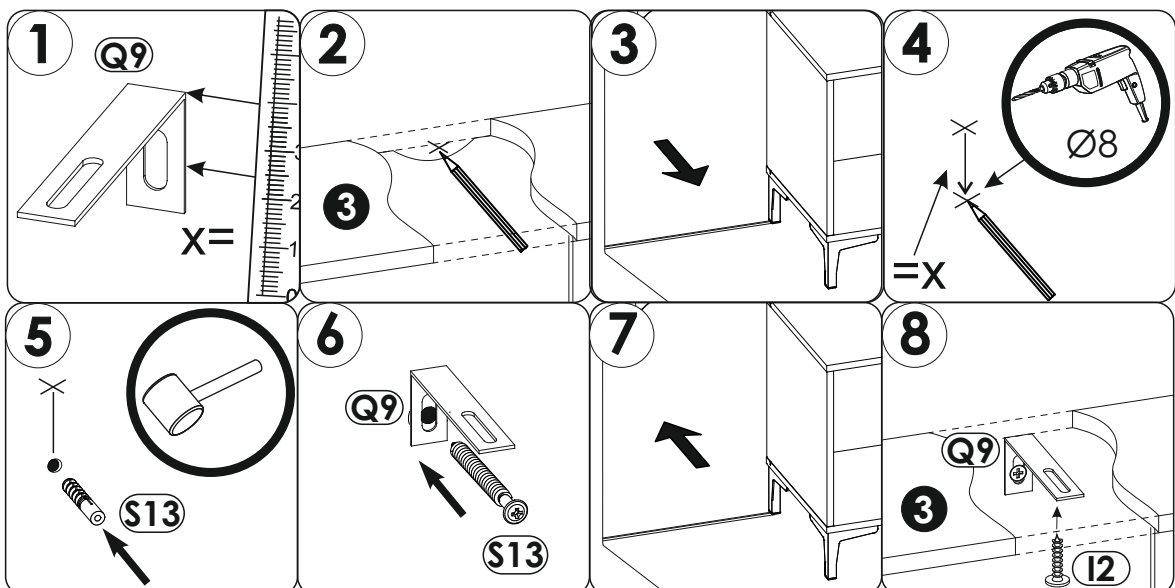
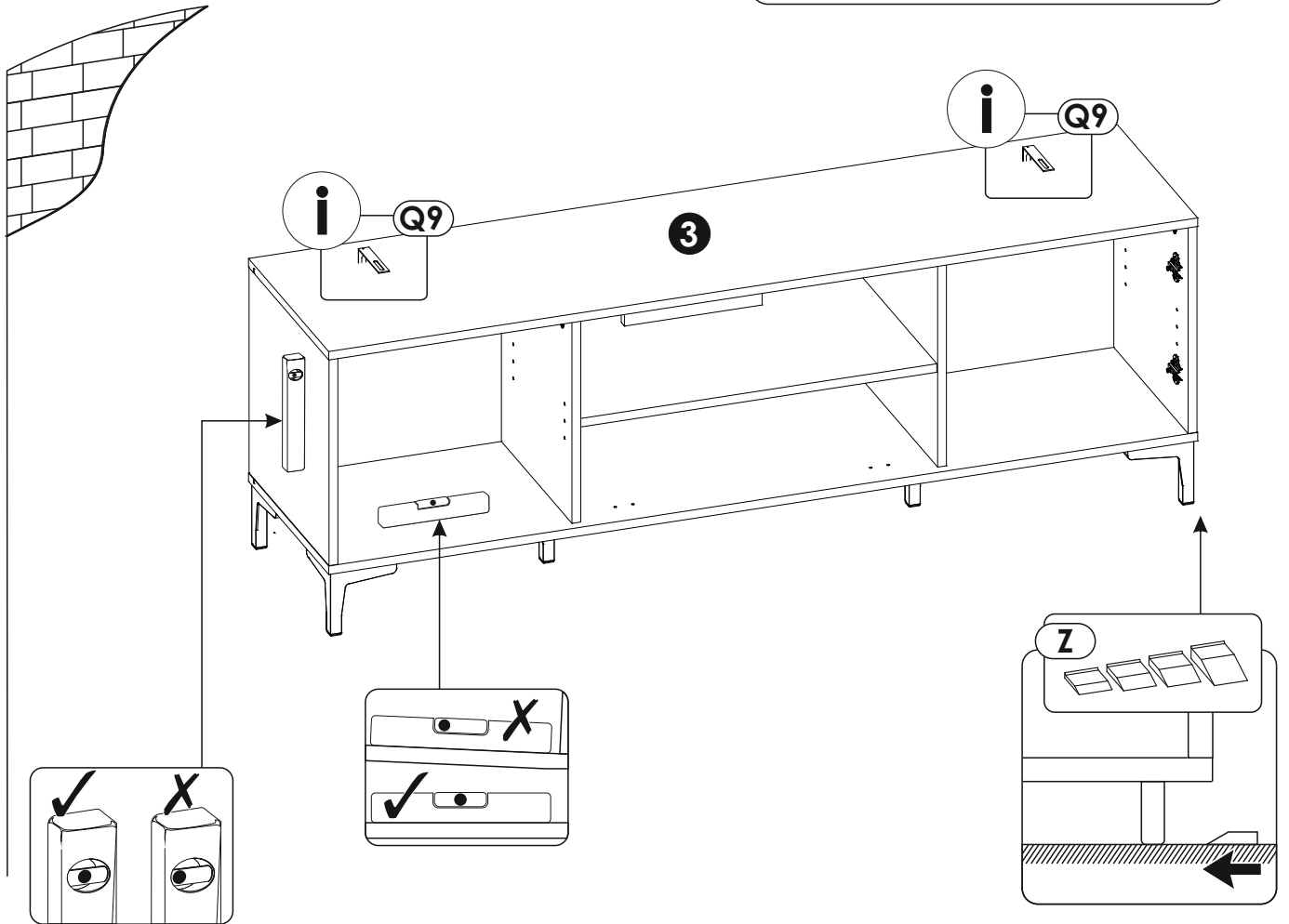
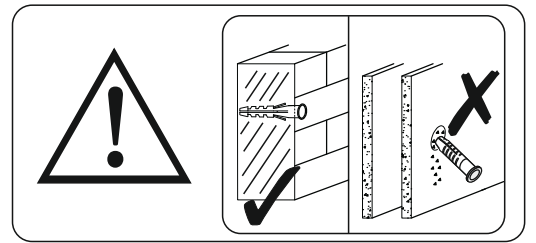




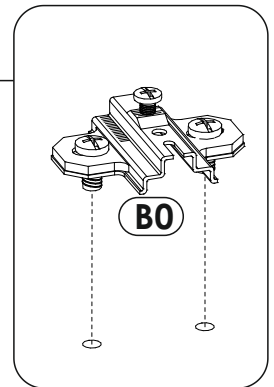
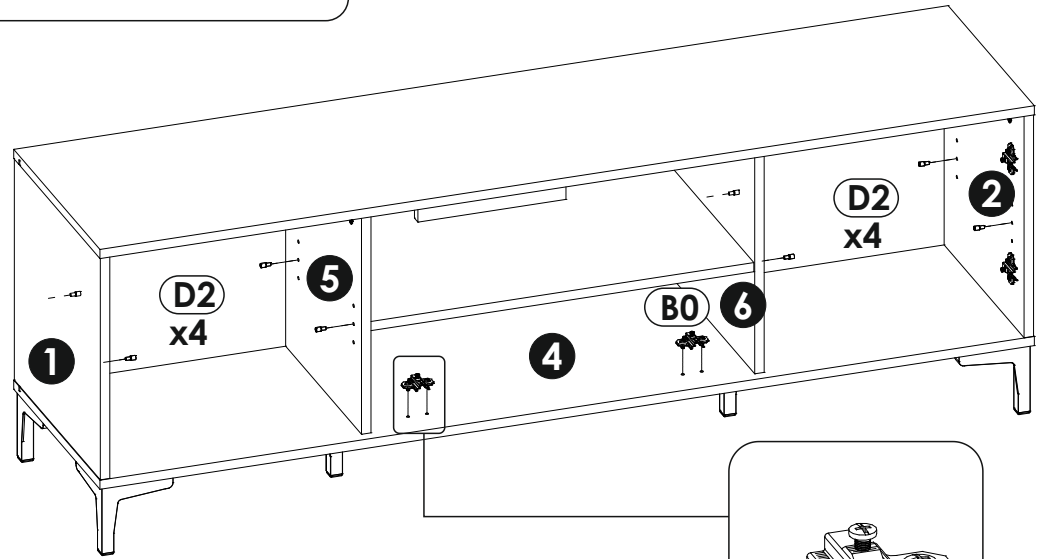
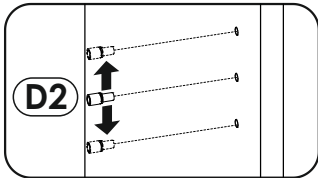
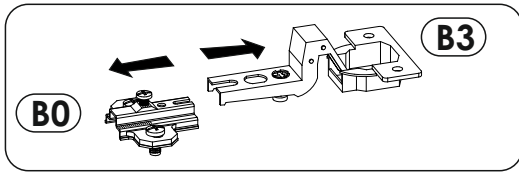


17 ▶

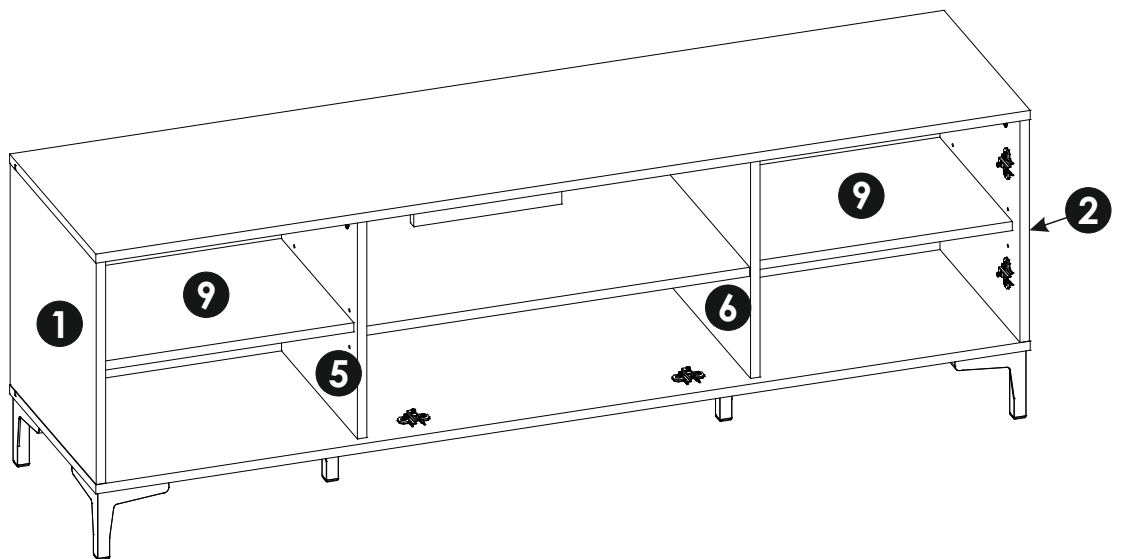
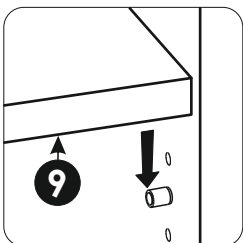




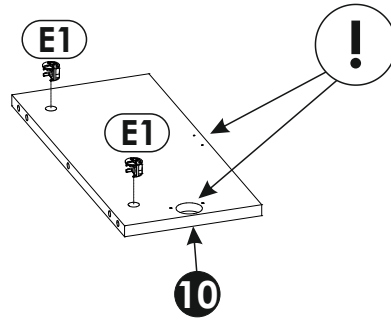
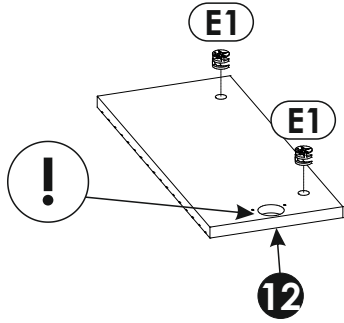
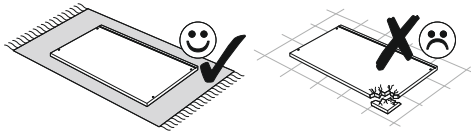
19 ▶



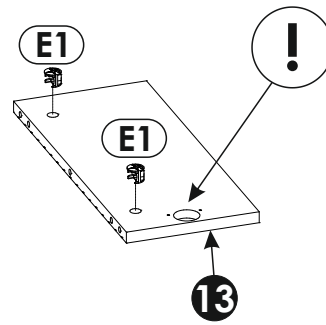
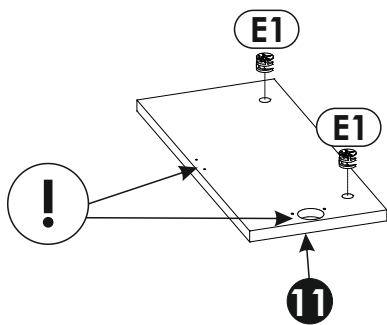
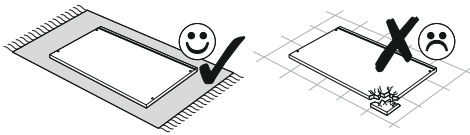
20 ▶



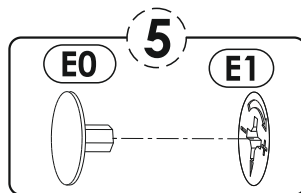
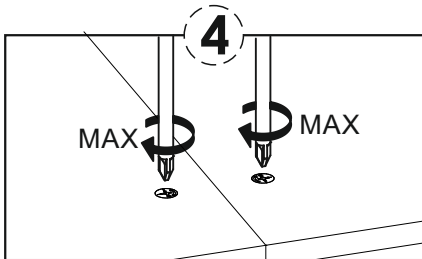
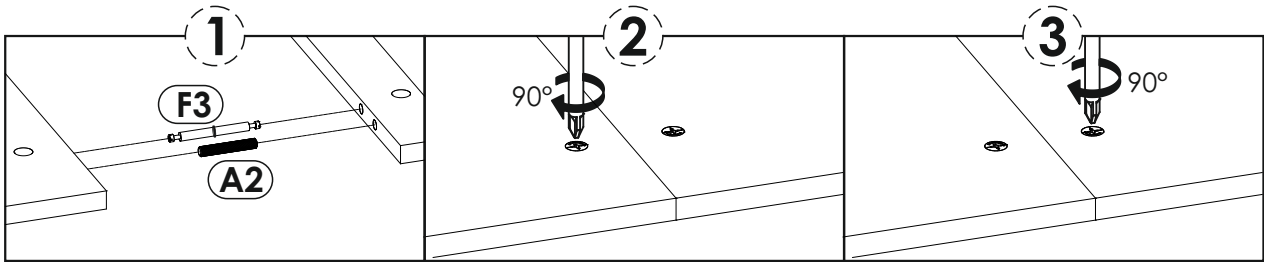
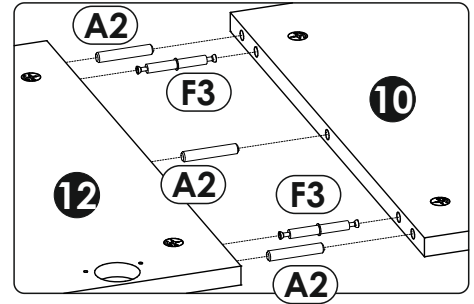
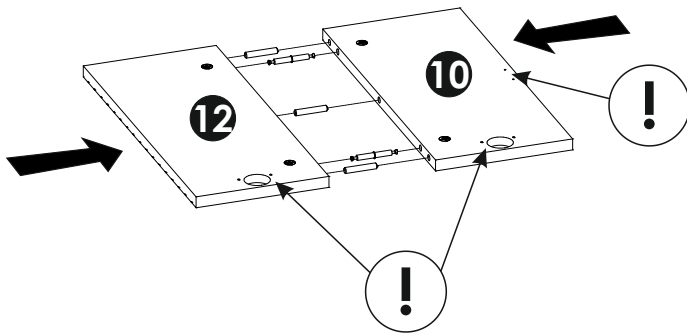
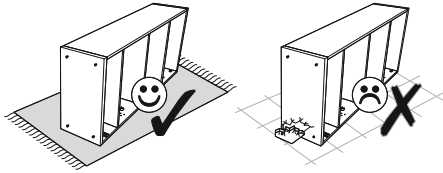
21 ▶

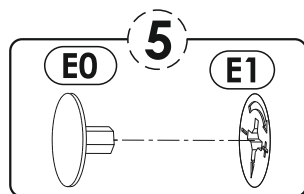
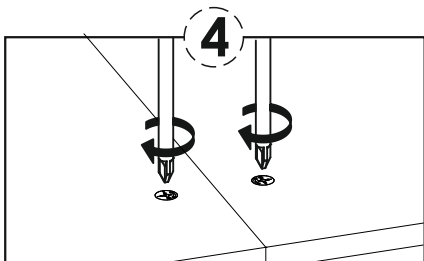
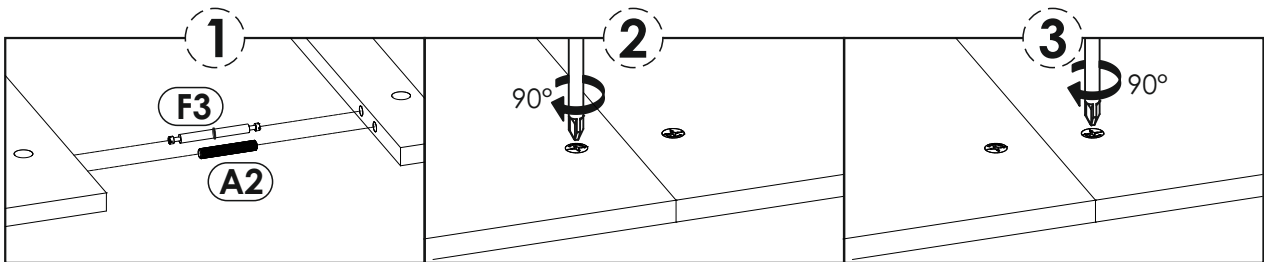
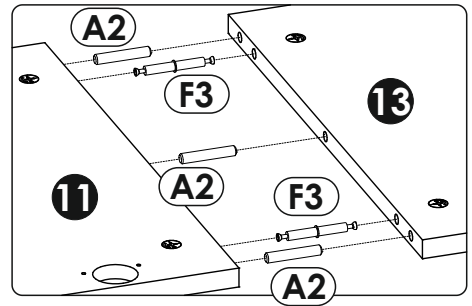
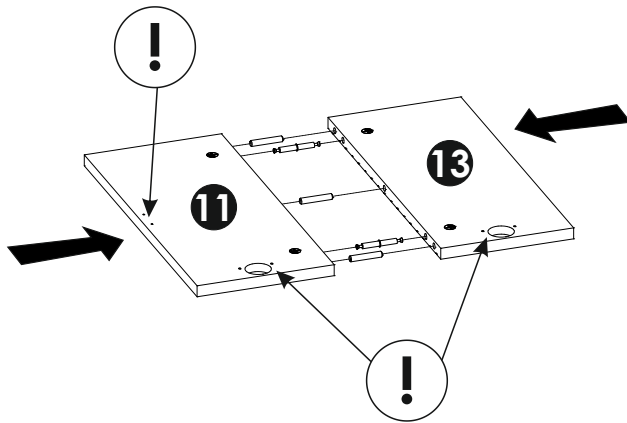
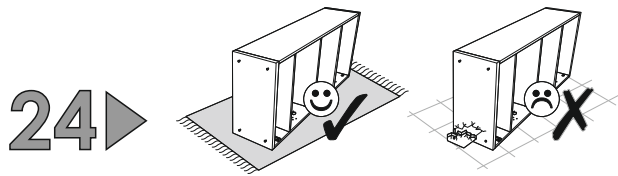


22 ▶

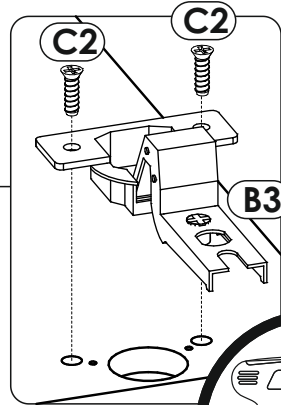
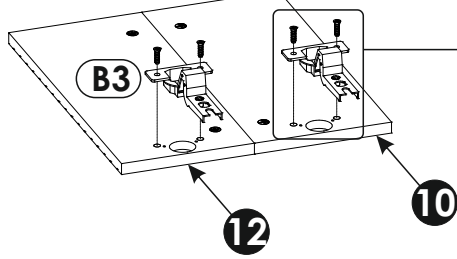
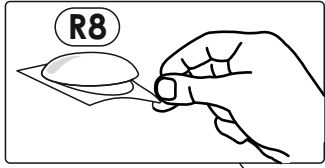
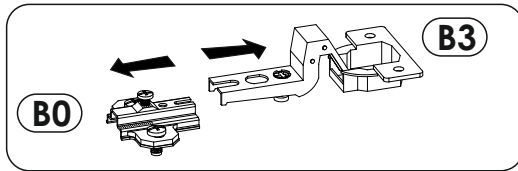
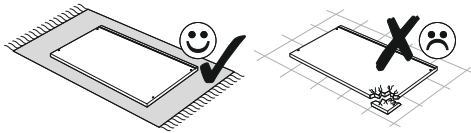


23 ▶

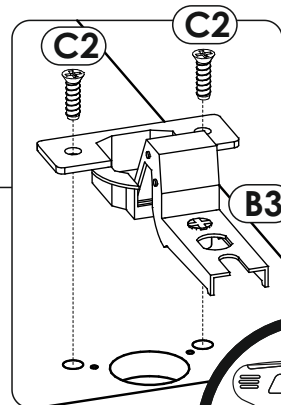
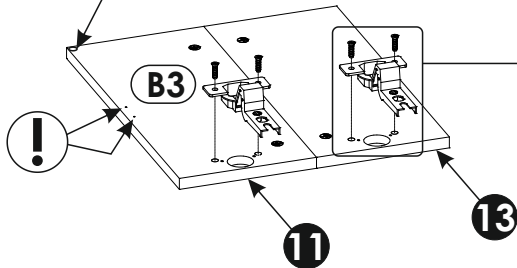
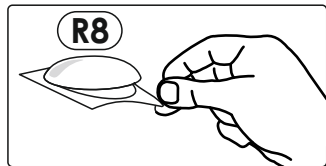
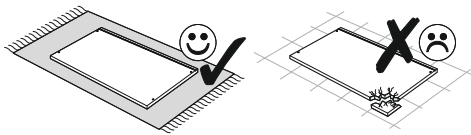




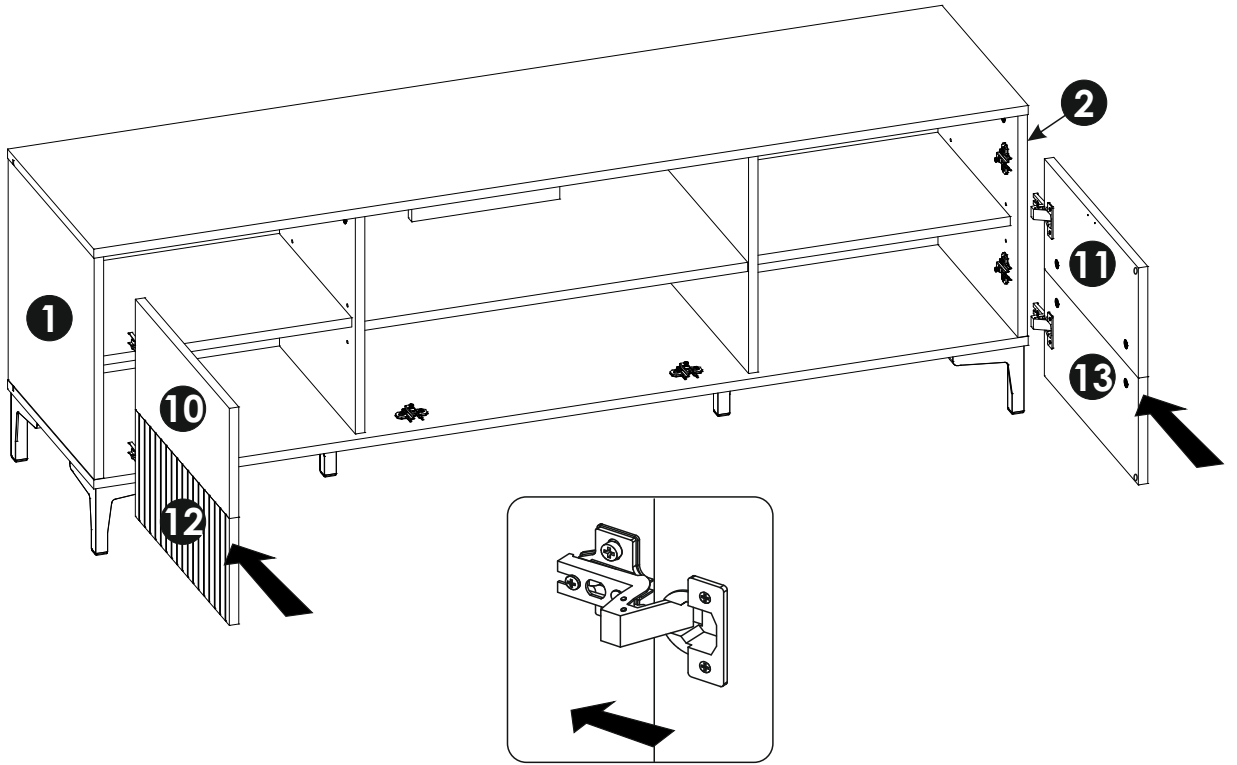
25 ▶



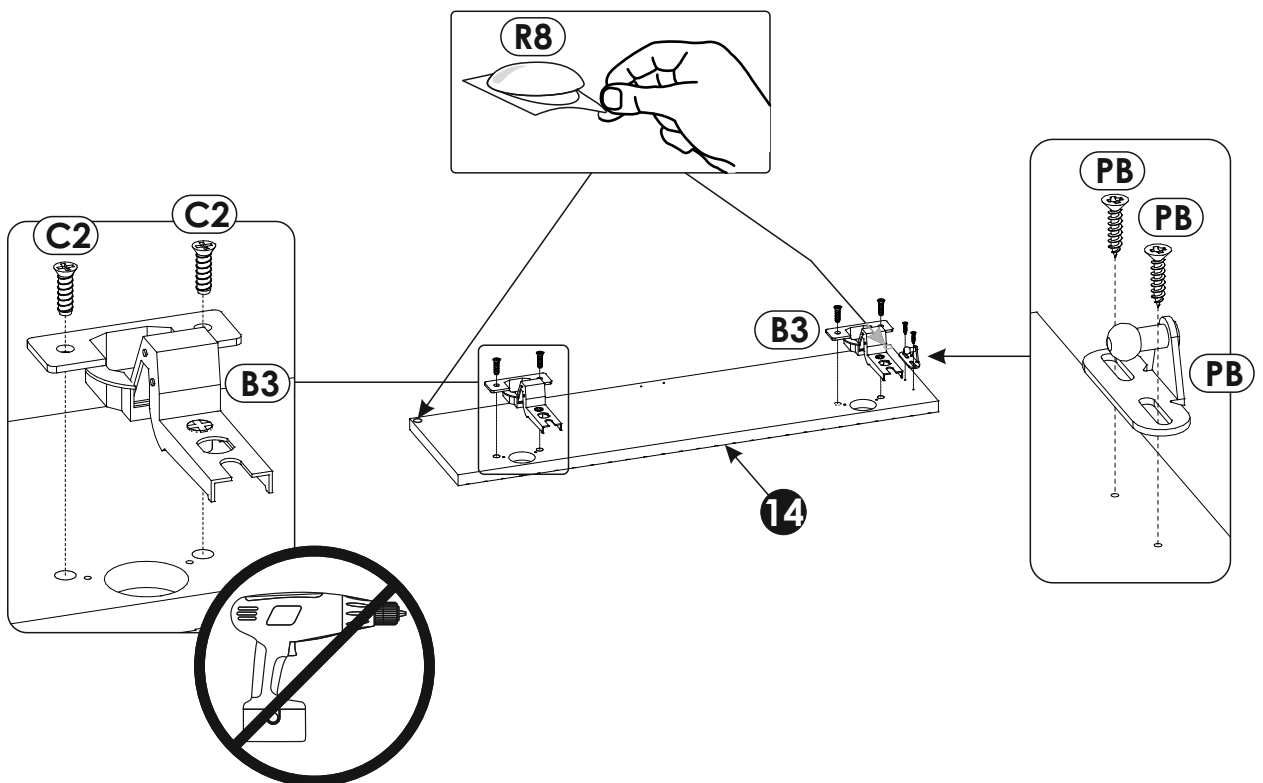
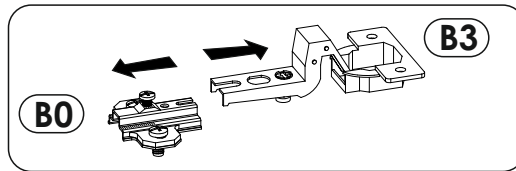
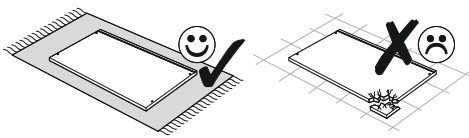
26 ▶



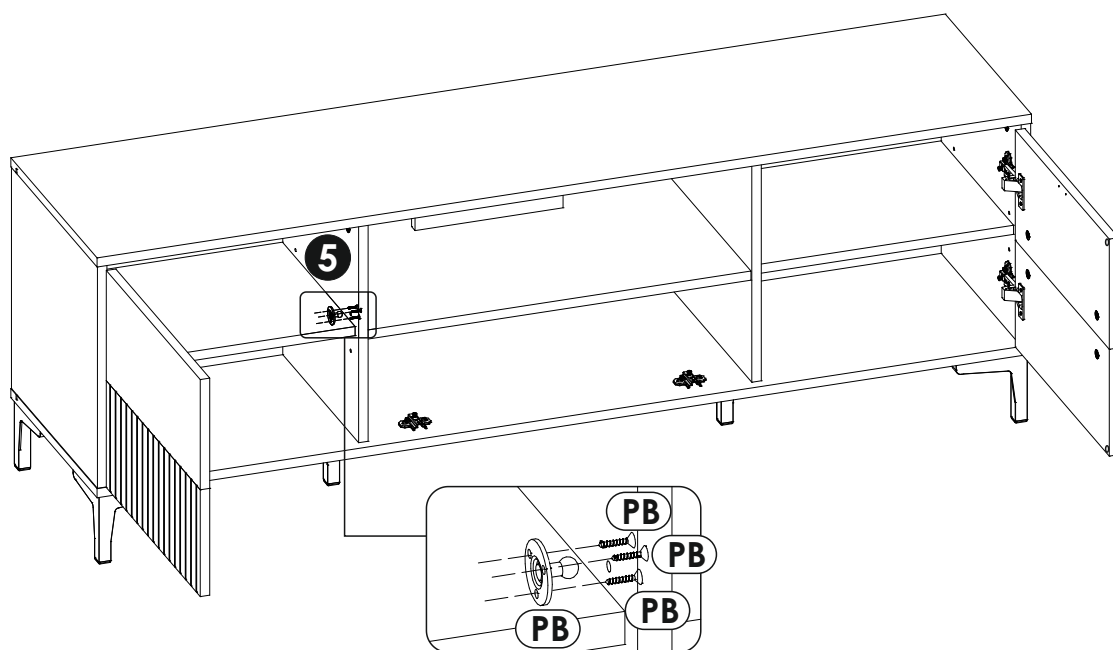
27 ▶



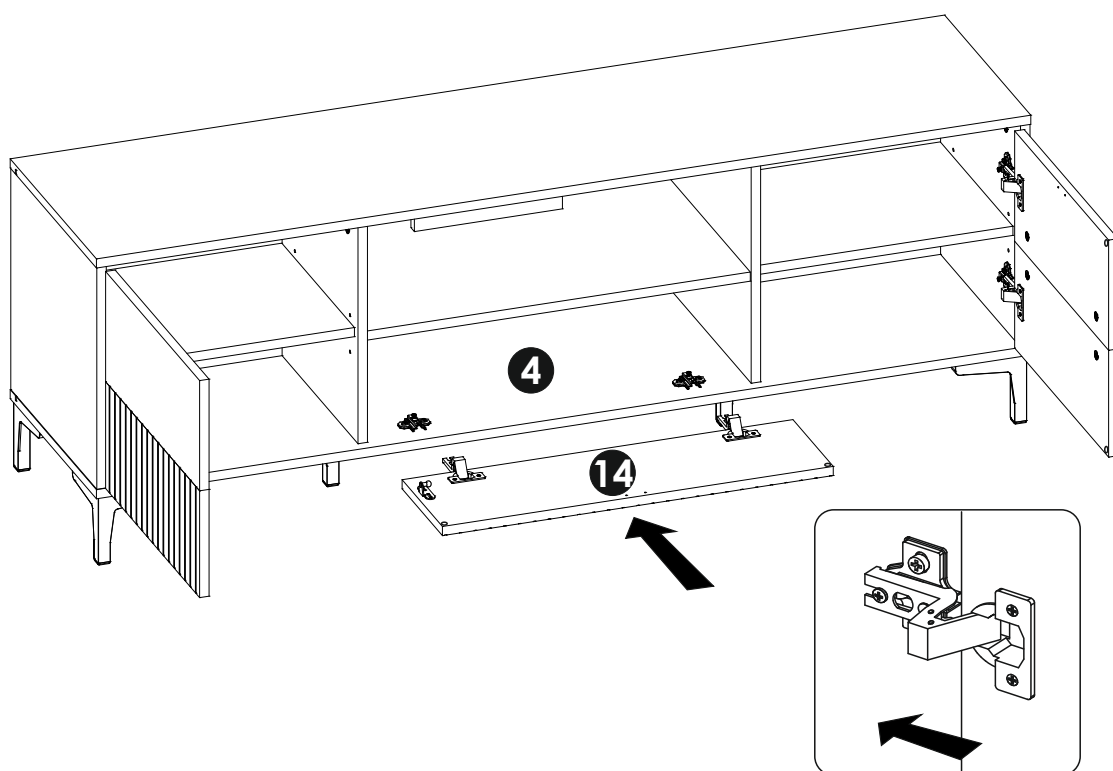
28 ▶



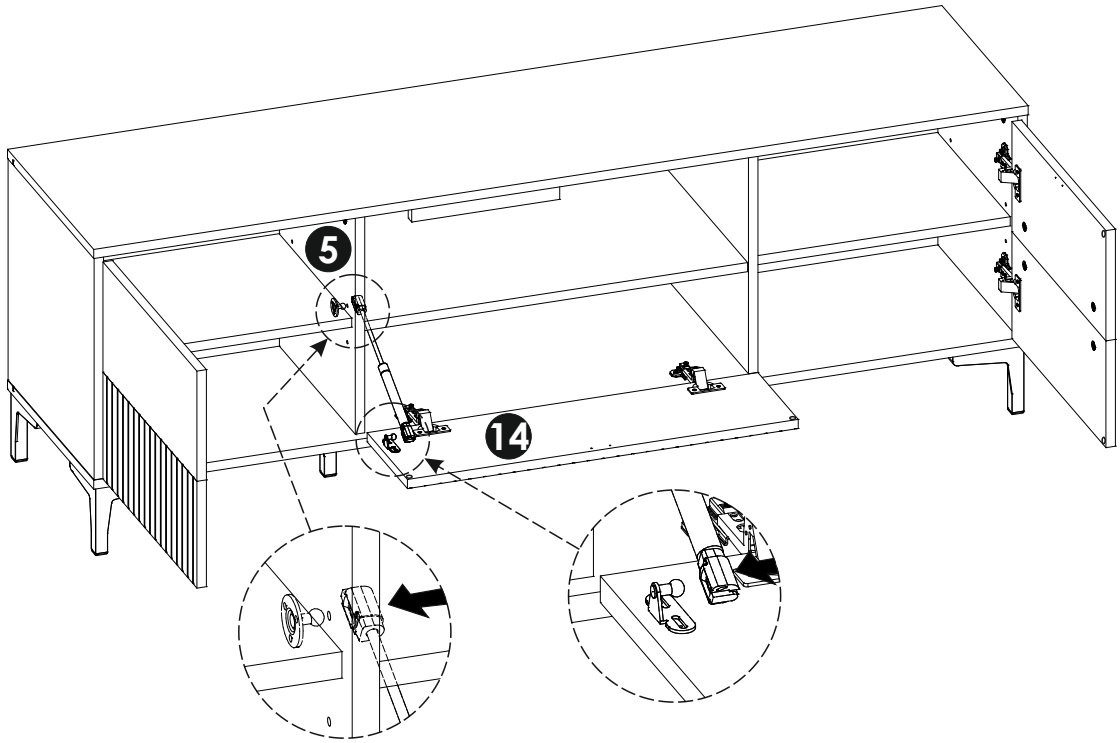
29 ▶▶



30 ▶▶



31 ▶



32 ▶

