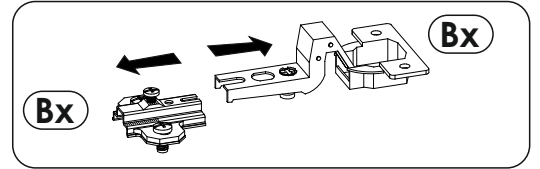
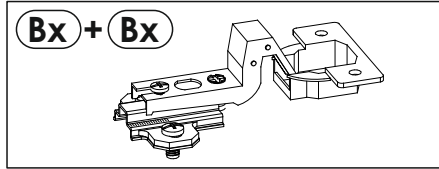
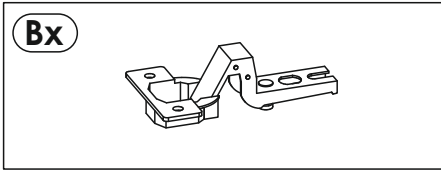
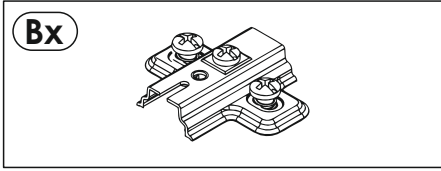
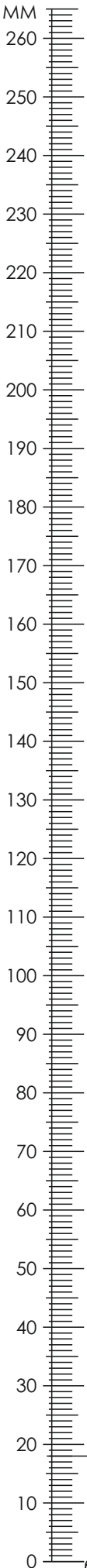



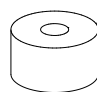
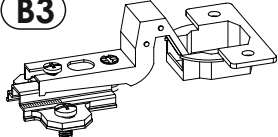
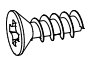
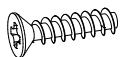

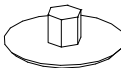

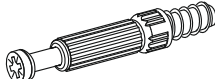
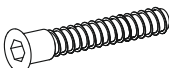
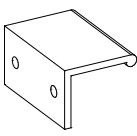
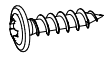
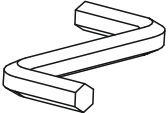




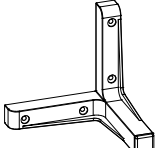
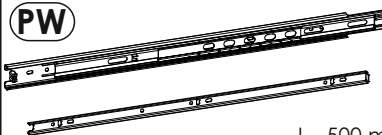
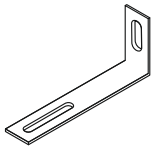
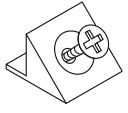
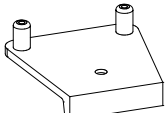
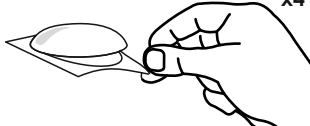
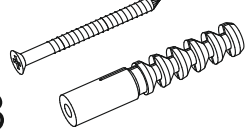
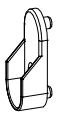
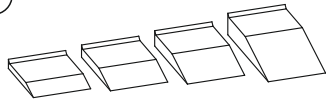
i

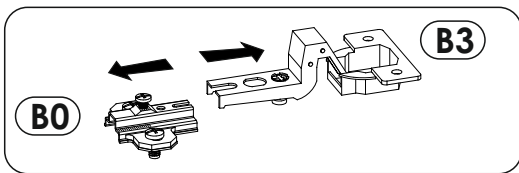
1

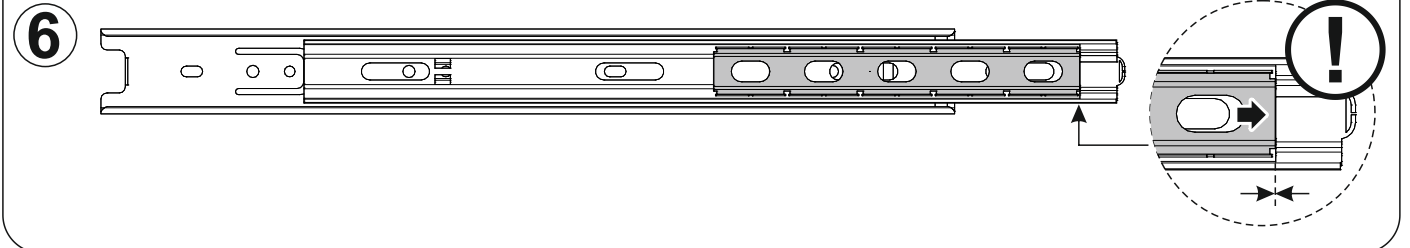
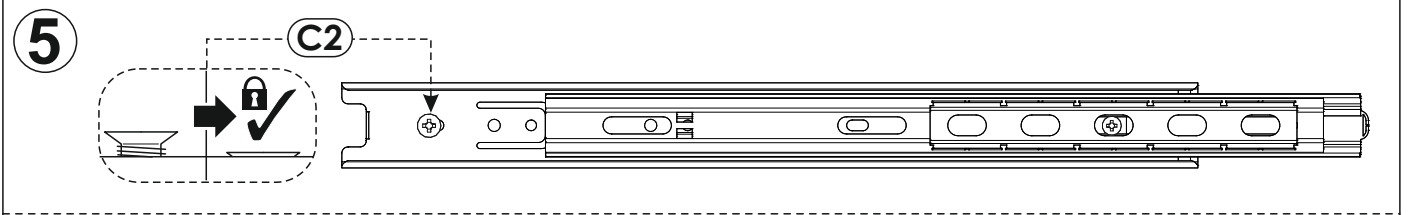
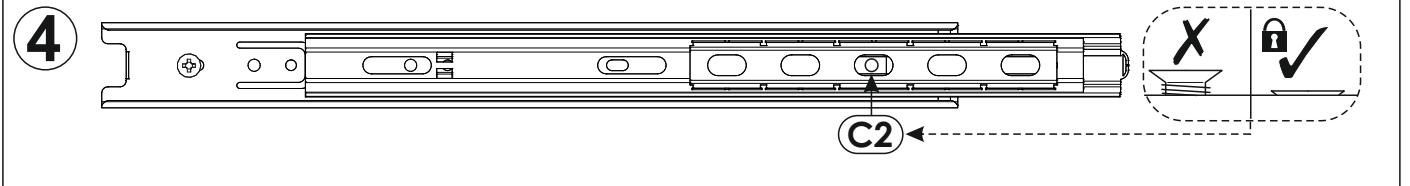
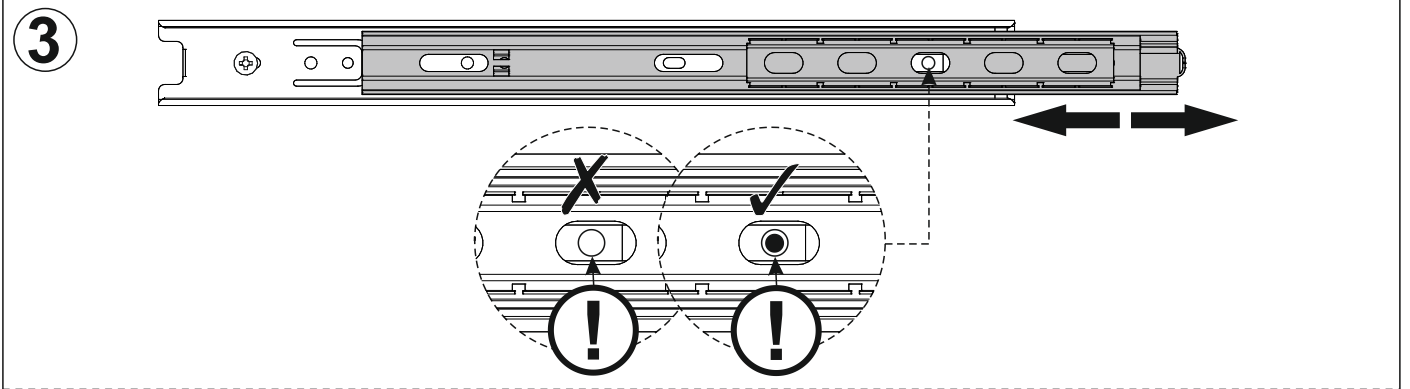
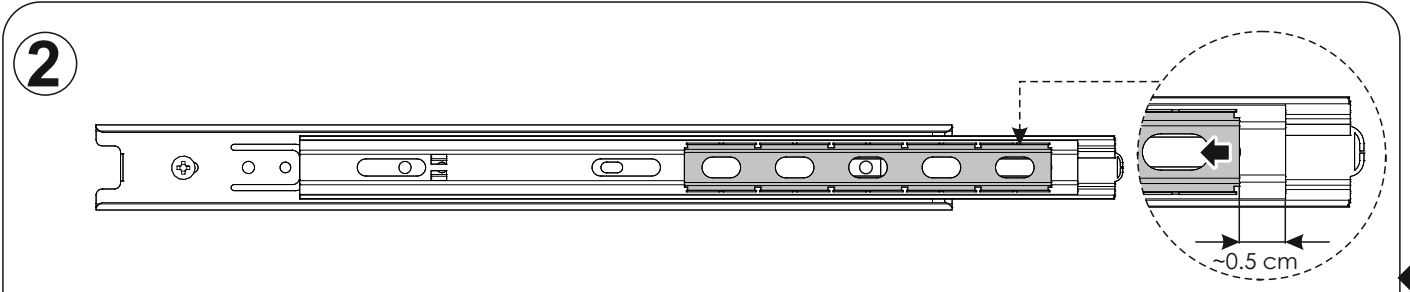
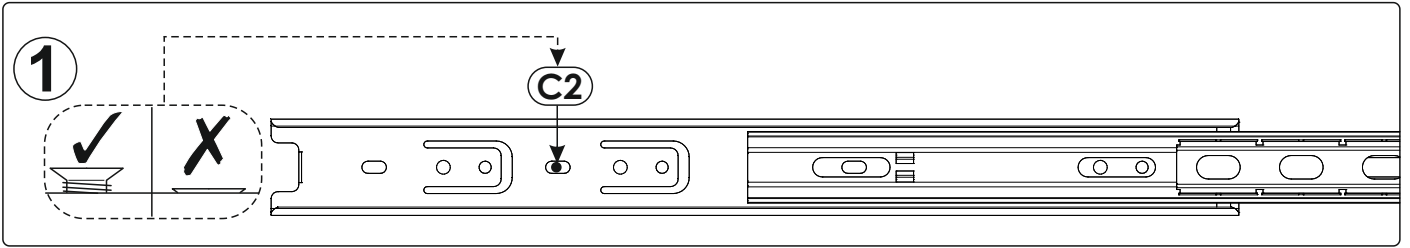
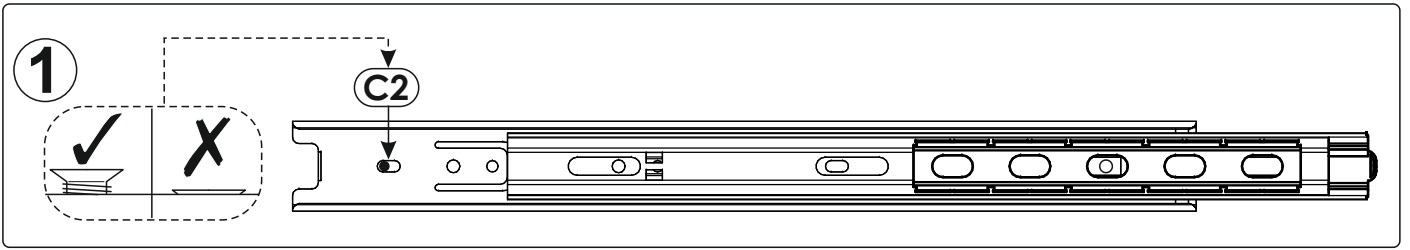


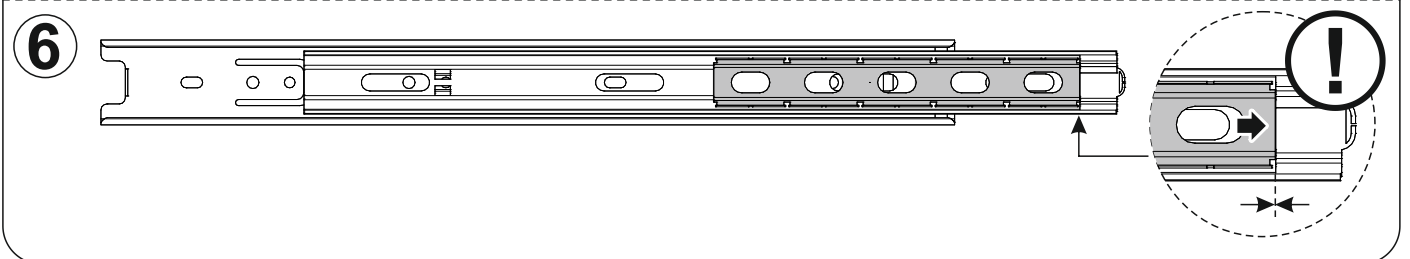
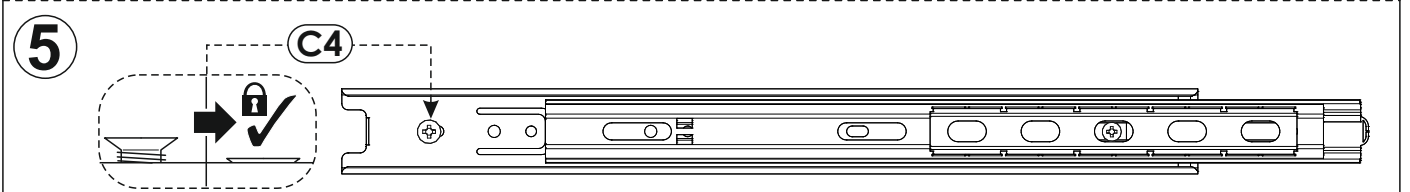
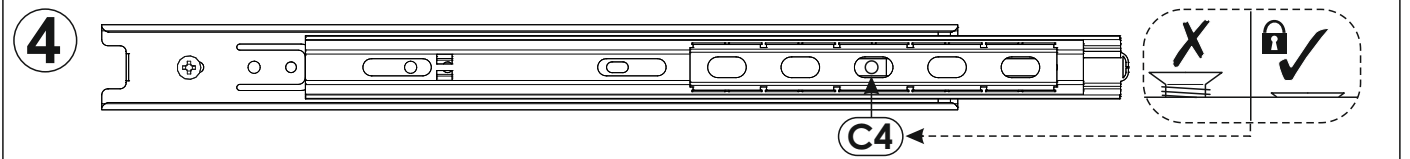
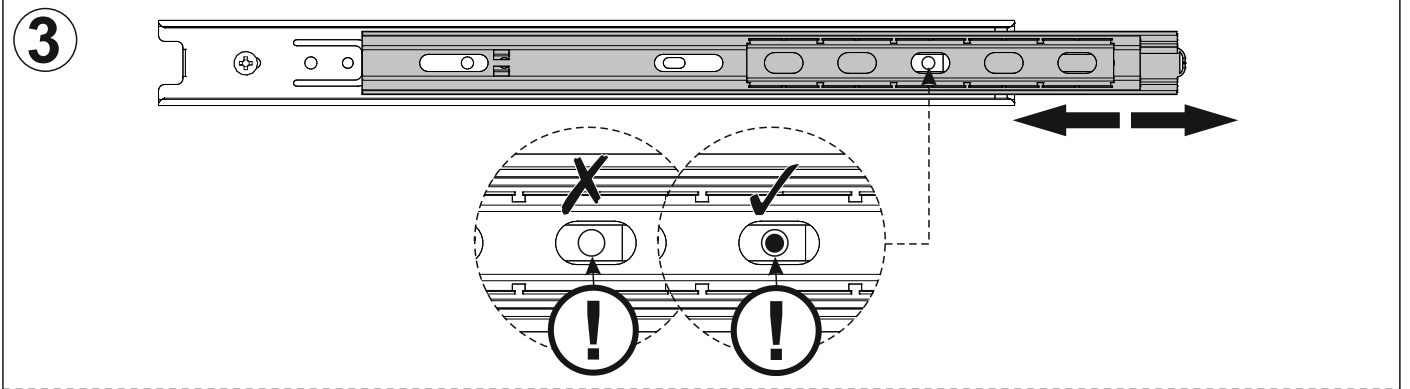
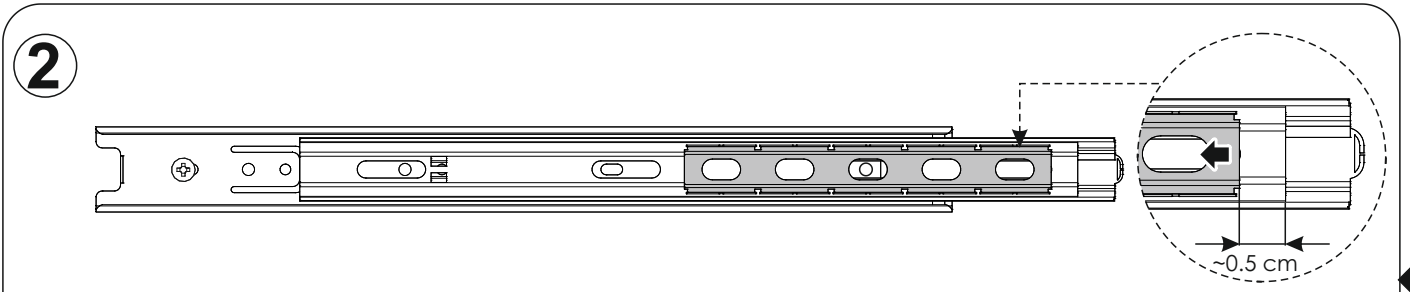
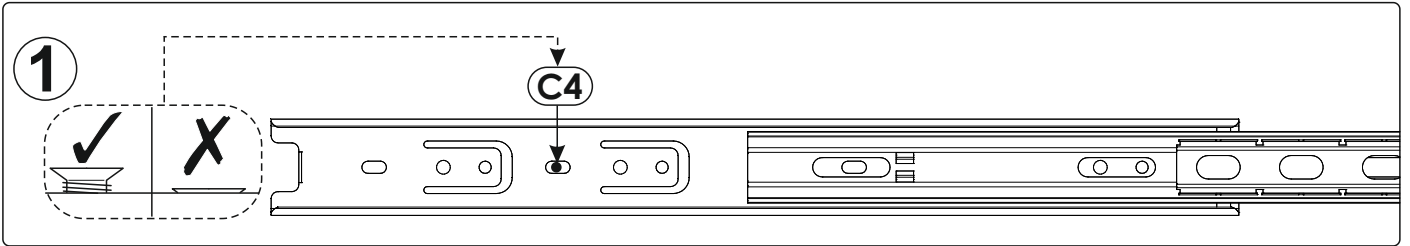
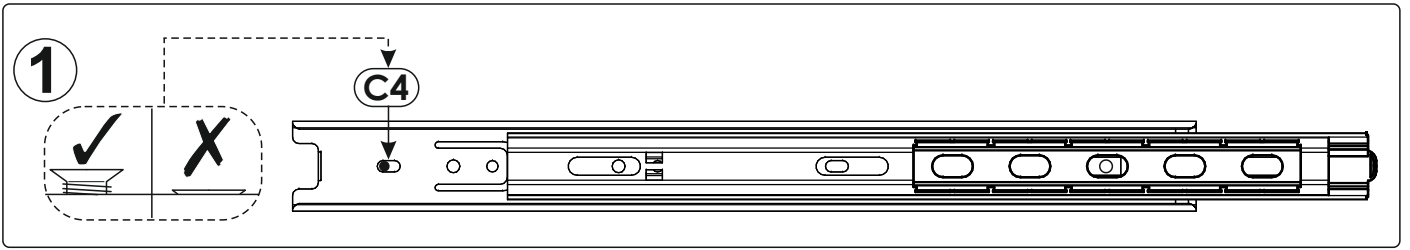


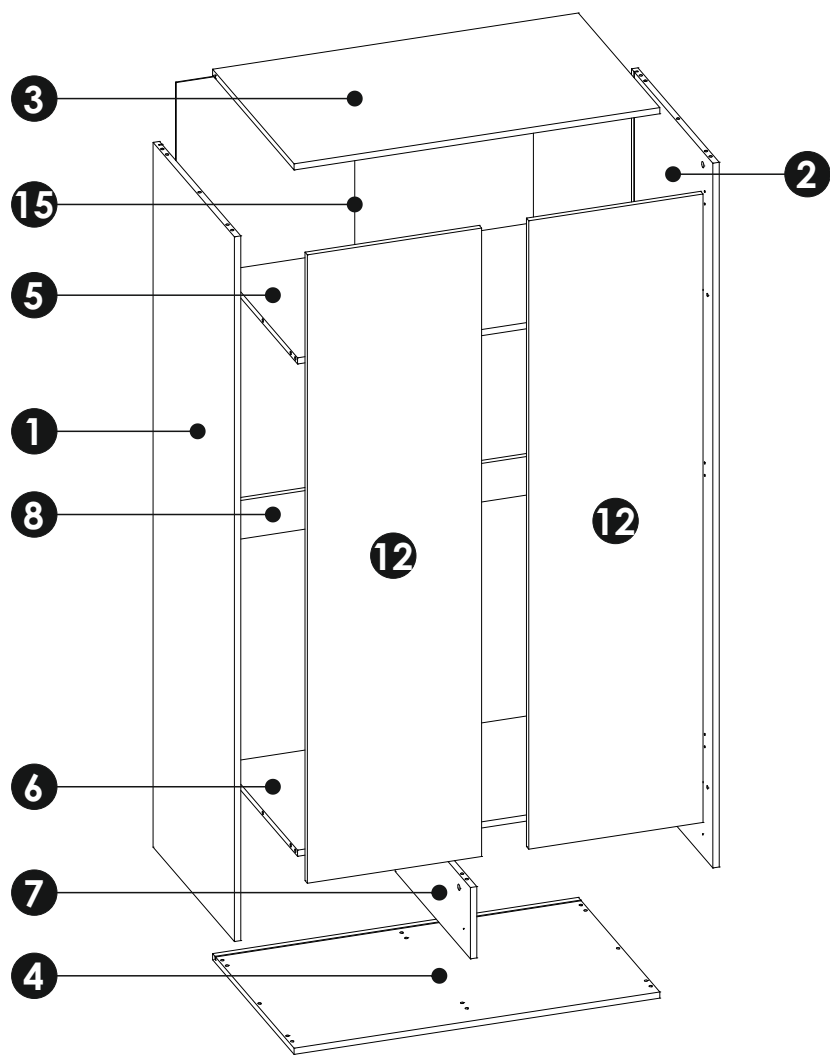
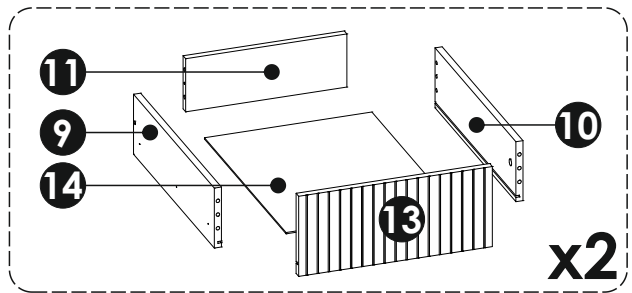
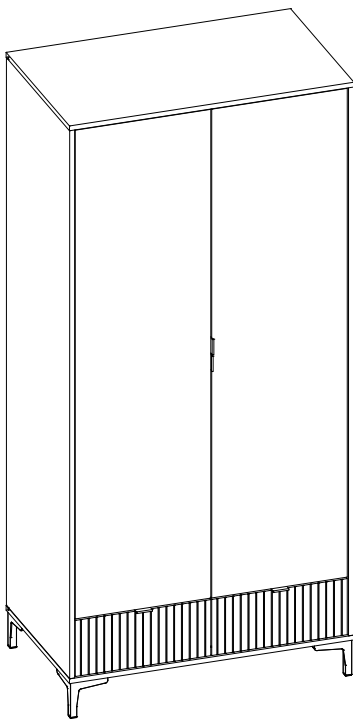


A1 8 x 35 mm x48 	BD H - 11 mm x2 	B0 + B3 x6 
C2 5 x 13 mm x16 	C4 5 x 20 mm x4 	DR L - 872 mm x1 
E0 Ø16 x12 	E1 15 x 12 mm x20 	F1 6 x 34 mm x20 
G1 7 x 50 mm x10 	H1 L - 50 mm x4 	I2 4 x 16 mm x2 
M x1 	N1 3 x 16 mm x20 	N4 3,5 x 13 mm x10 
N5 3,5 x 16 mm x14 	N7 3,5 x 30 mm x20 	O12 x5 
PW L - 500 mm x2 	Q9 x2 	R4 x14 
R5 x2 	R8 x4 	S13 x2 
UD x2 	Z x1 	





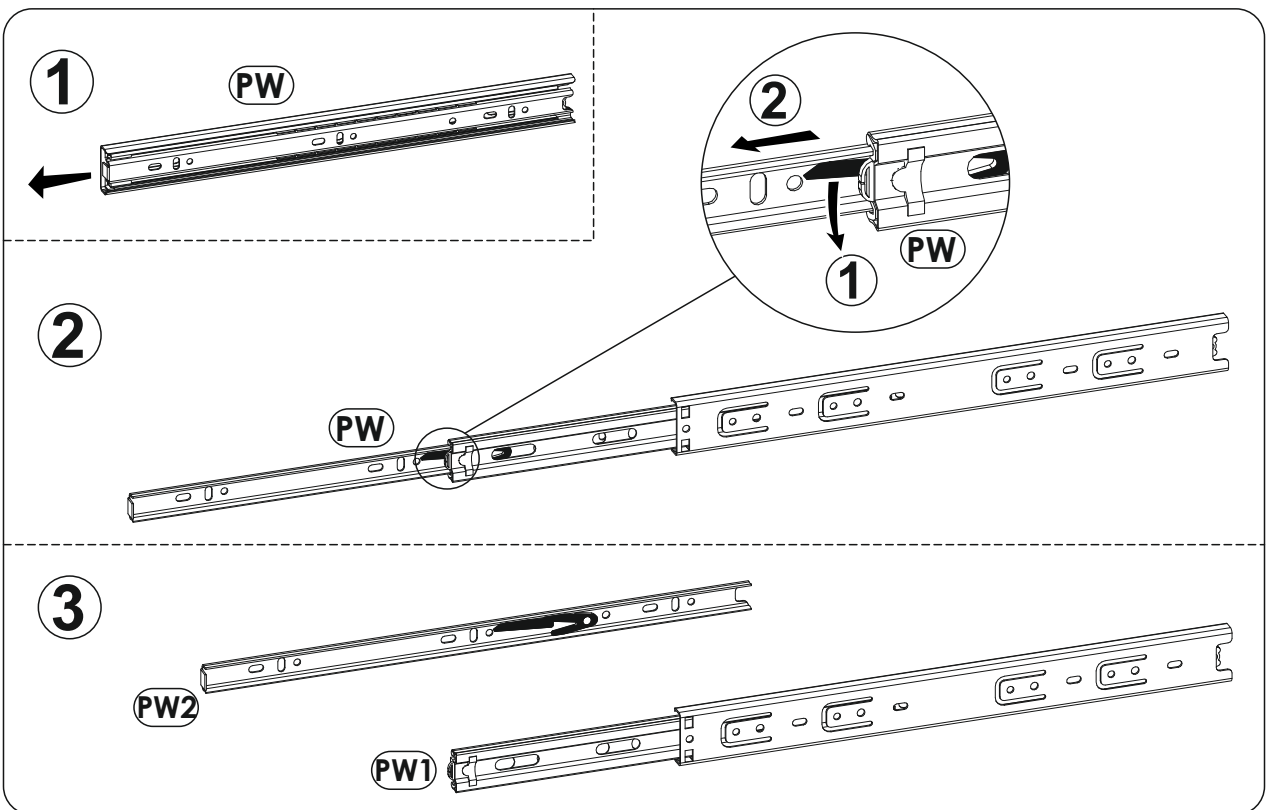
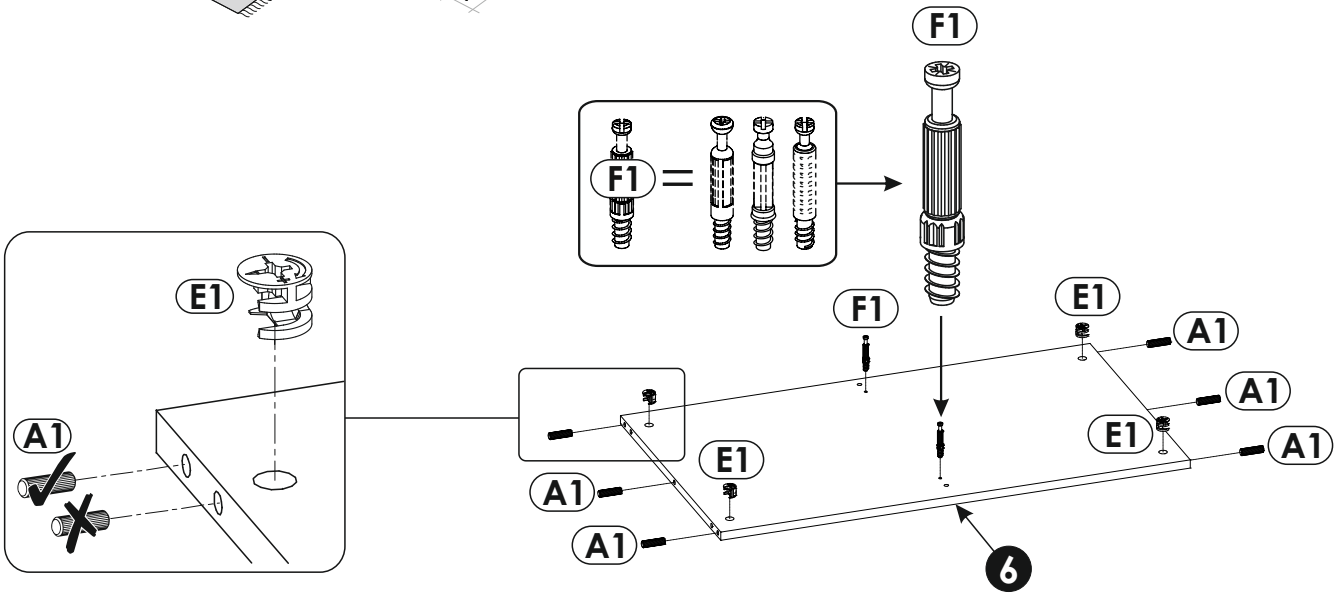
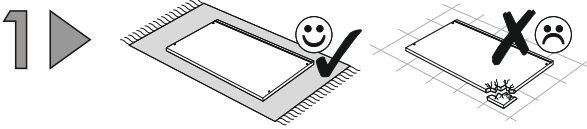
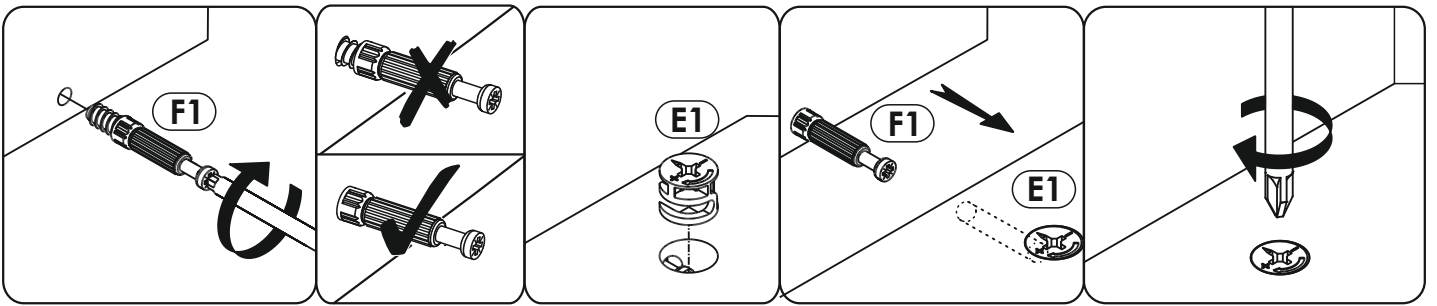


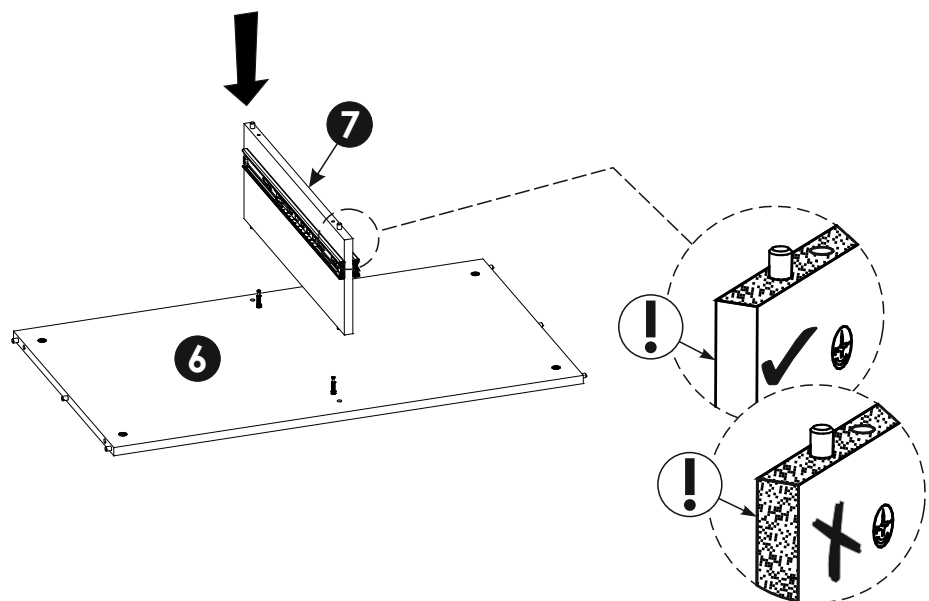
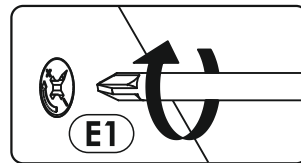
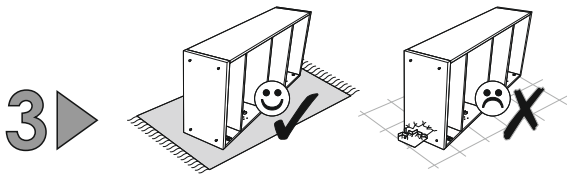
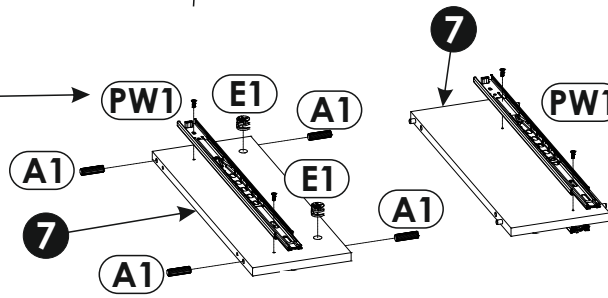
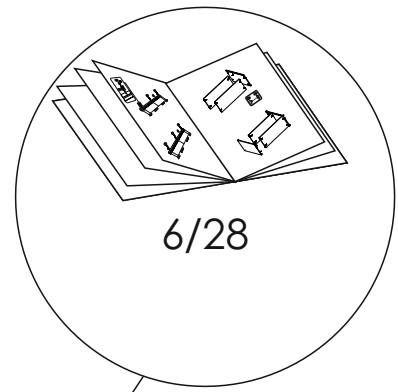
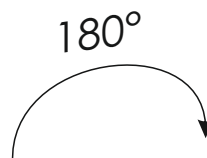
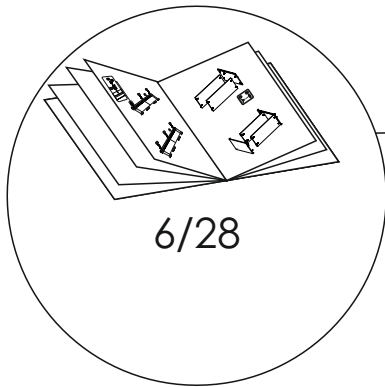
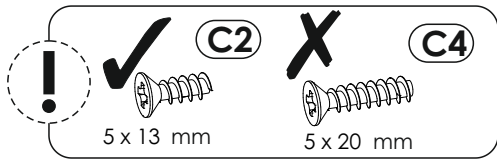
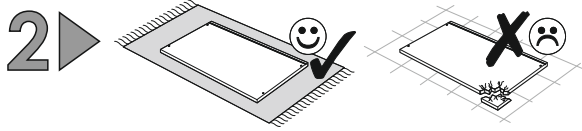


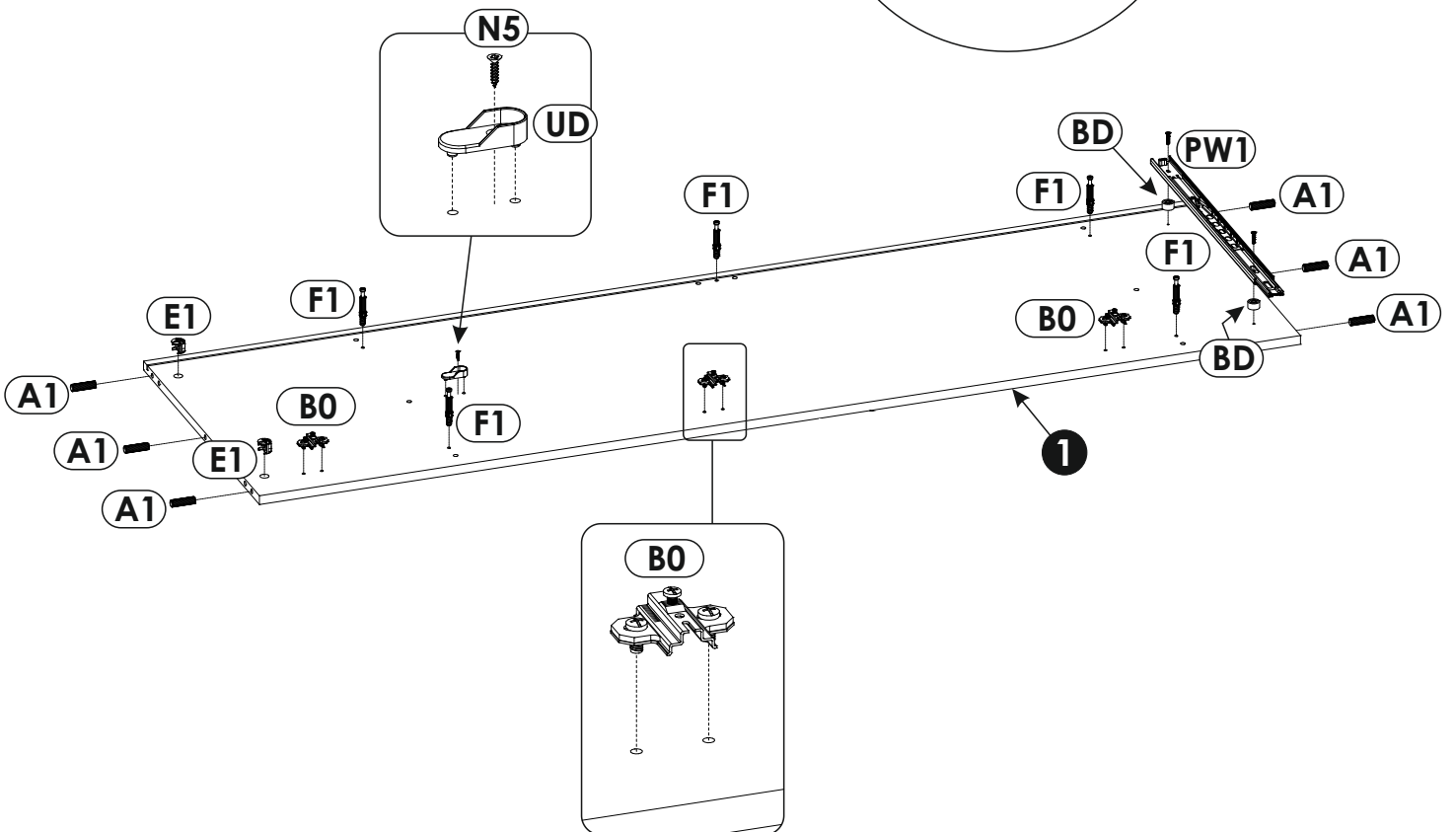
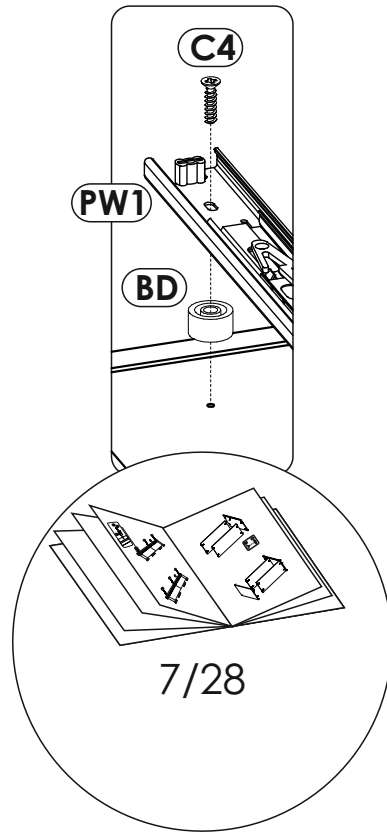
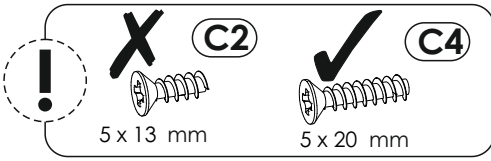
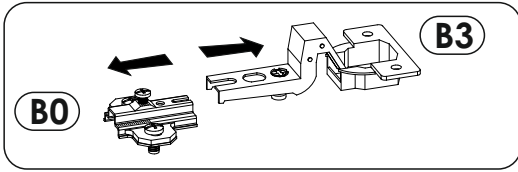
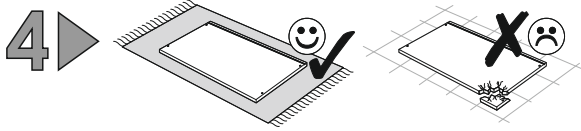
1	1828	559	16	x1	3/3
2	1828	559	16	x1	3/3
3	915	560	16	x1	1/3
4	915	560	16	x1	1/3
5	881	517	16	x1	1/3

6	881	517	16	x1	1/3
7	185	517	16	x1	1/3
8	881	100	16	x1	1/3
9	500	140	16	x2	2/3
10	500	140	16	x2	2/3

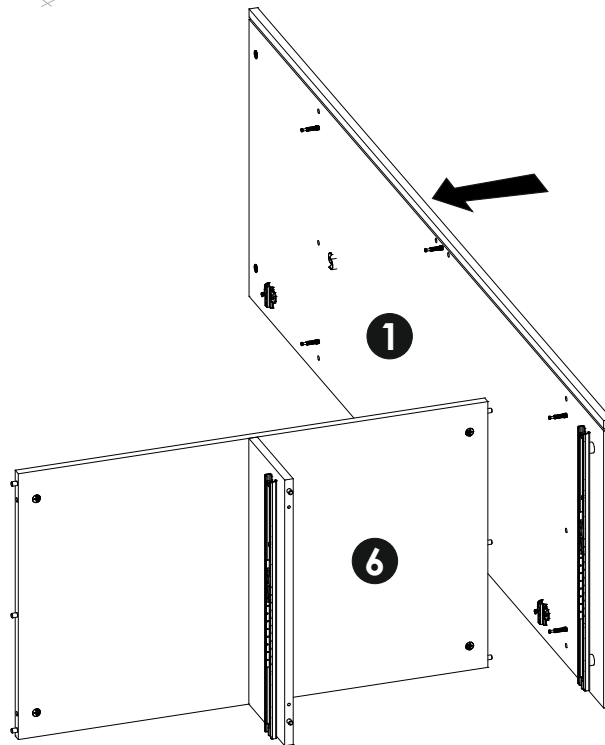
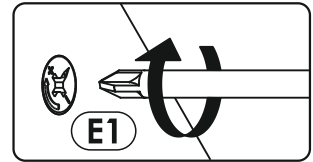
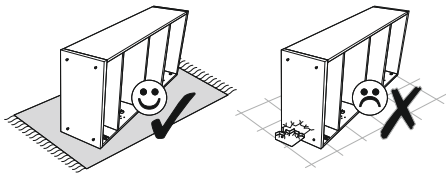
11	363	124	16	x2	1/3
12	1630	436	16	x2	2/3
13	187	436	16	x2	2/3
14	377	505	3	x2	1/3
15	1842	894	3	x1	3/3



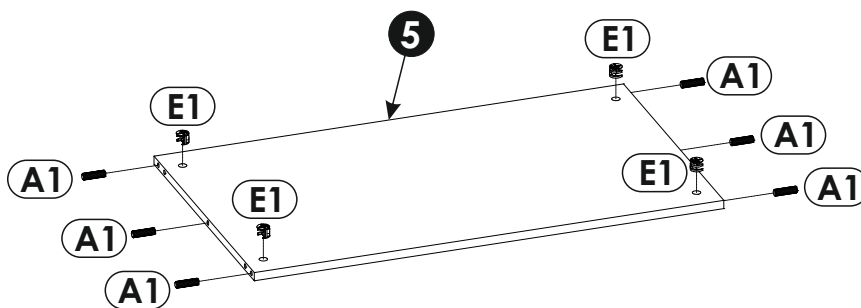
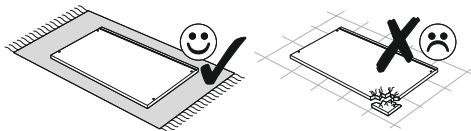


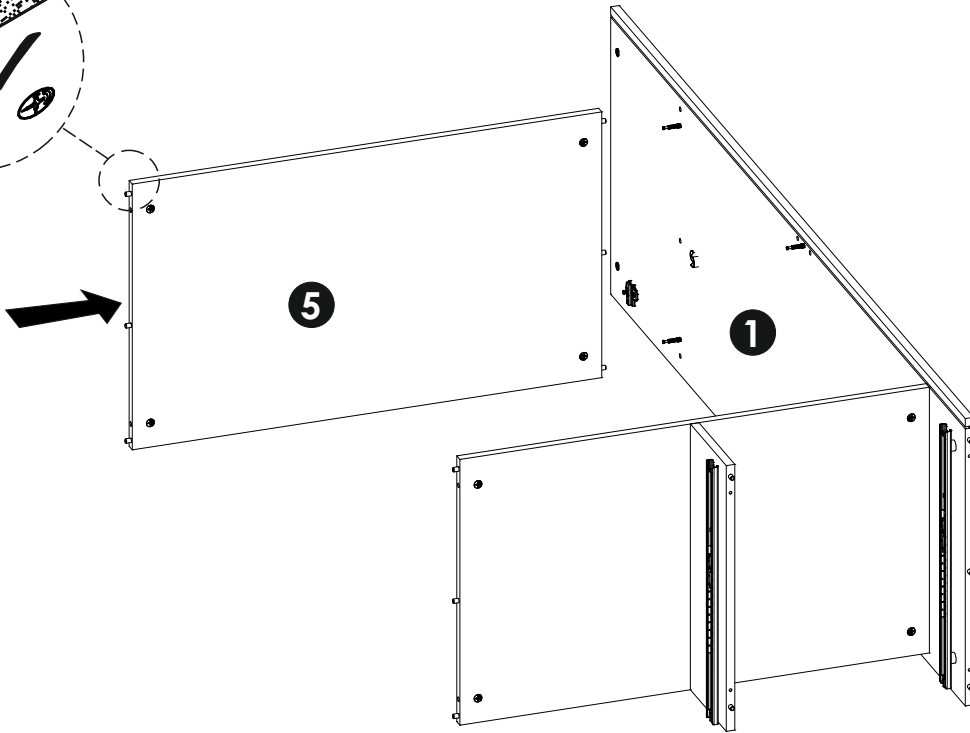
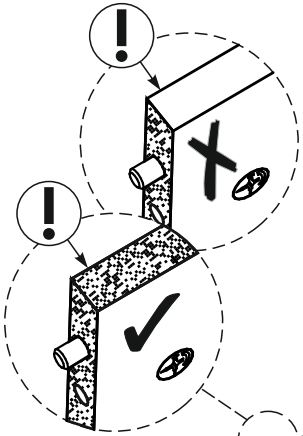
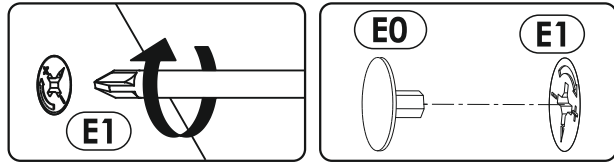
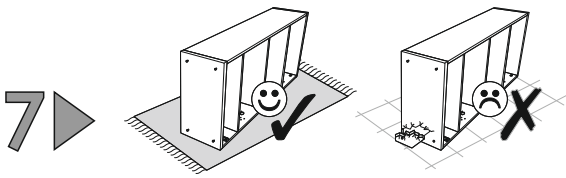


5 ▶

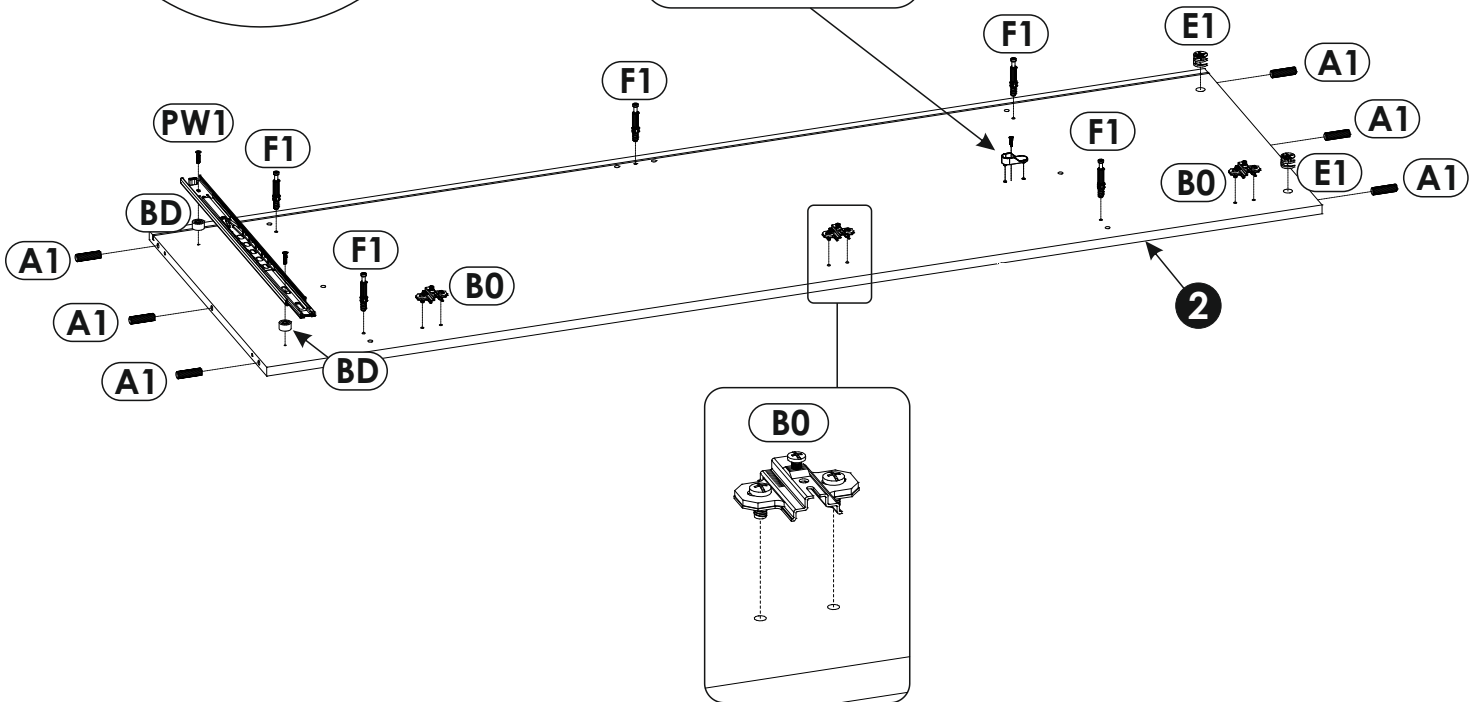
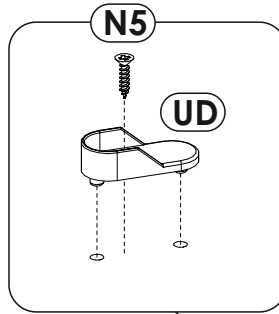
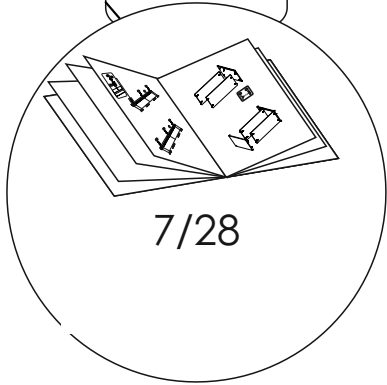
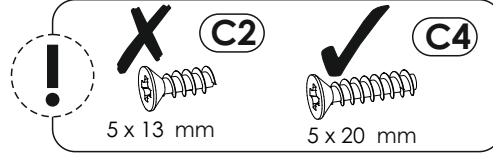
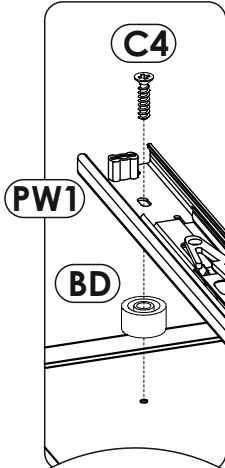
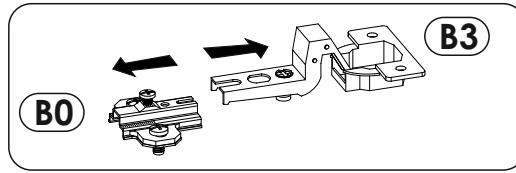
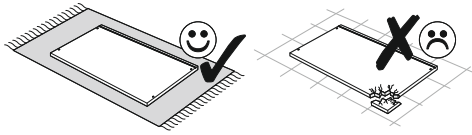


6 ▶

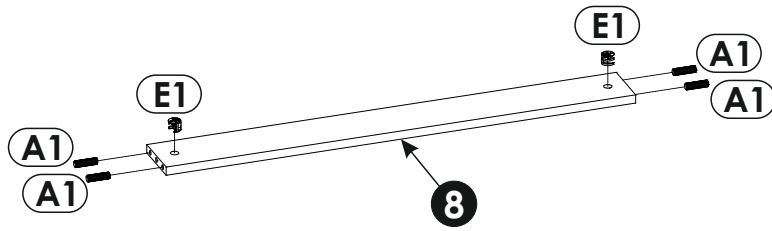
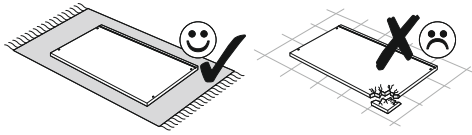




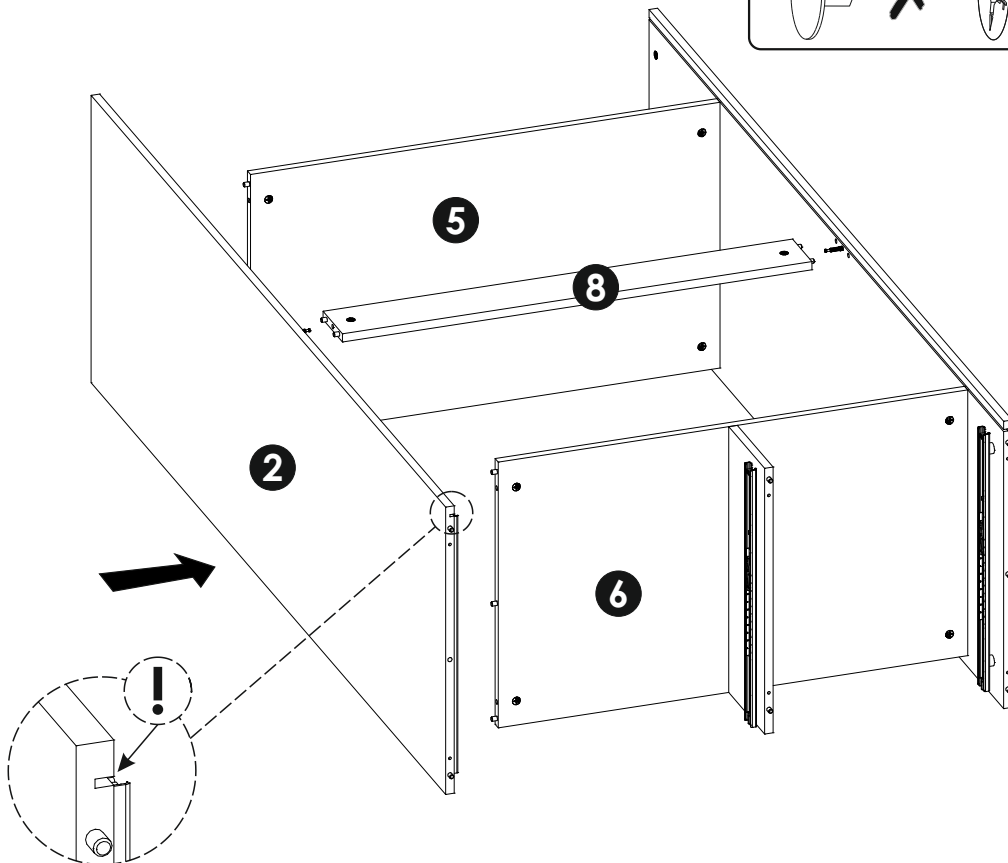
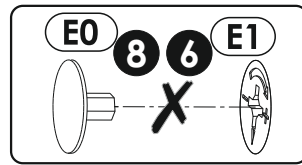
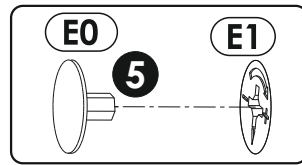
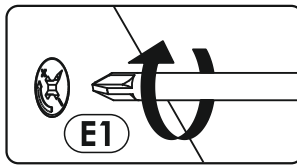
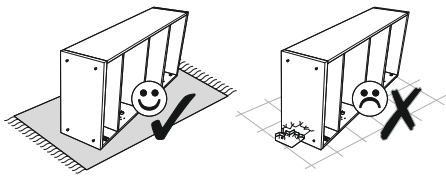
8 ▶



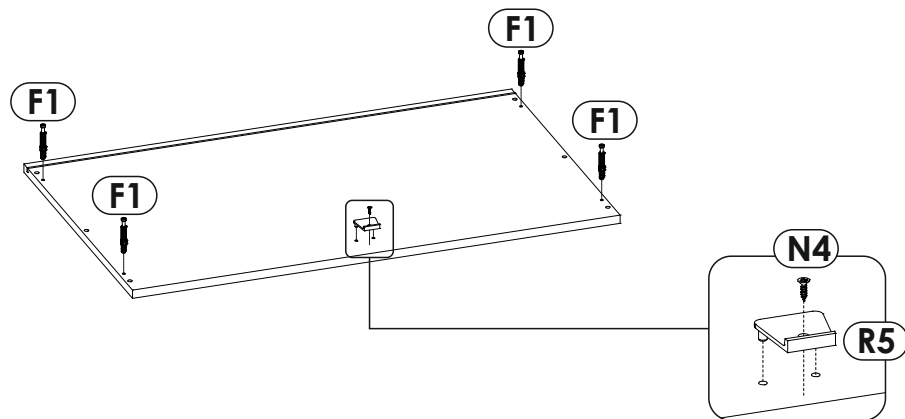
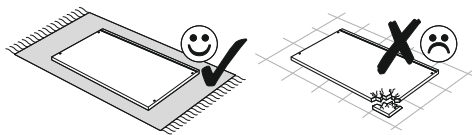
9 ▶



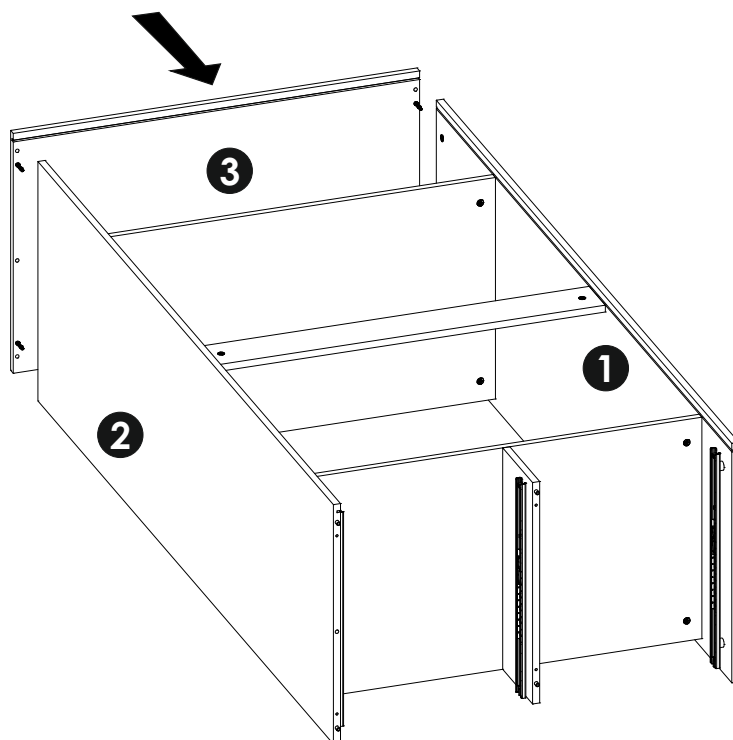
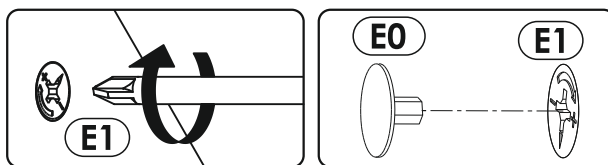
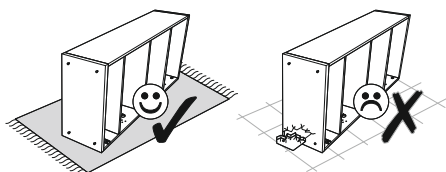
10 ▶



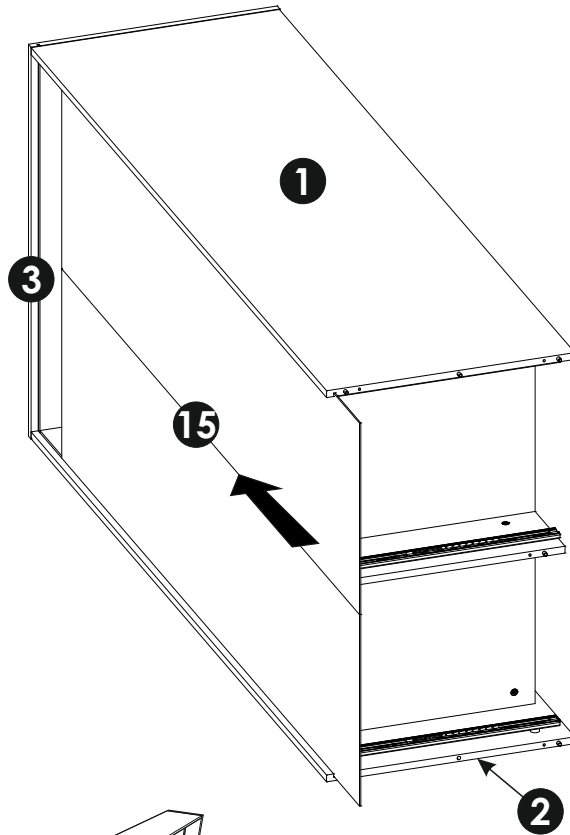
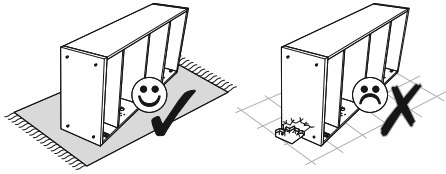
11 ▶



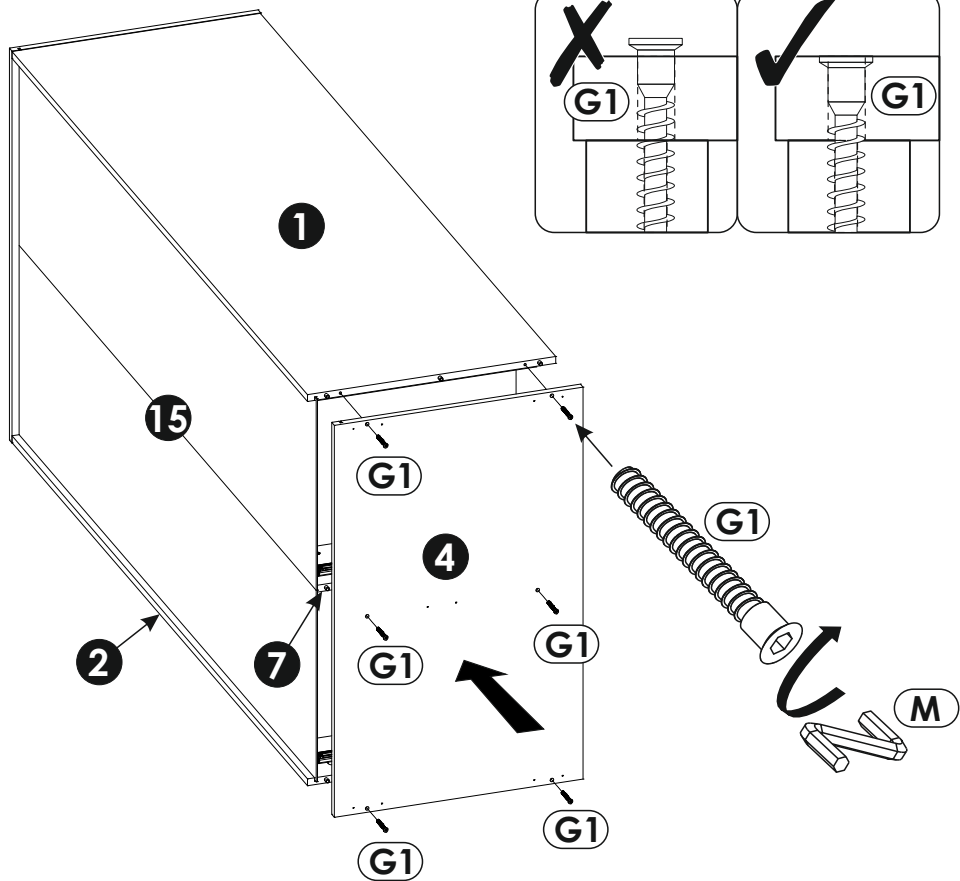
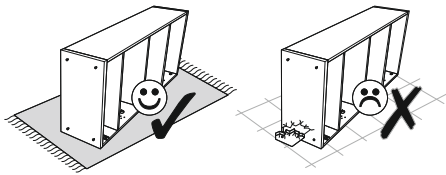
12 ▶



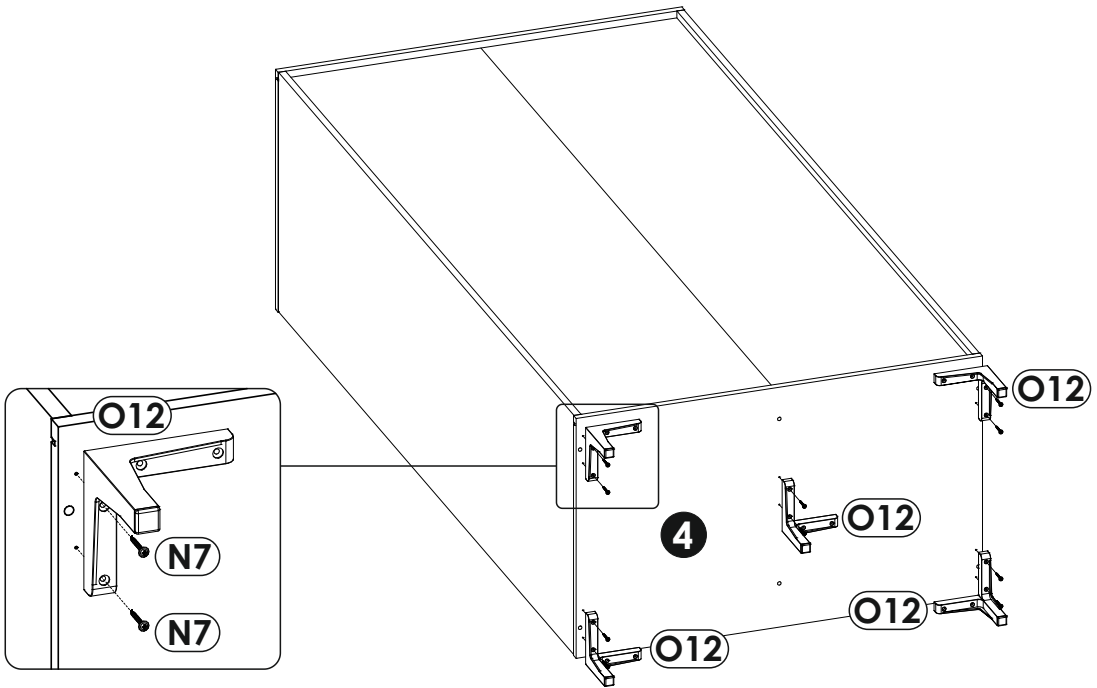
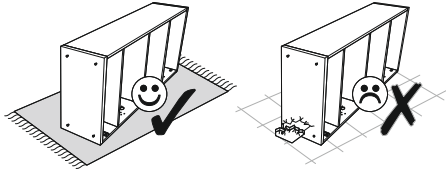
13 ▶



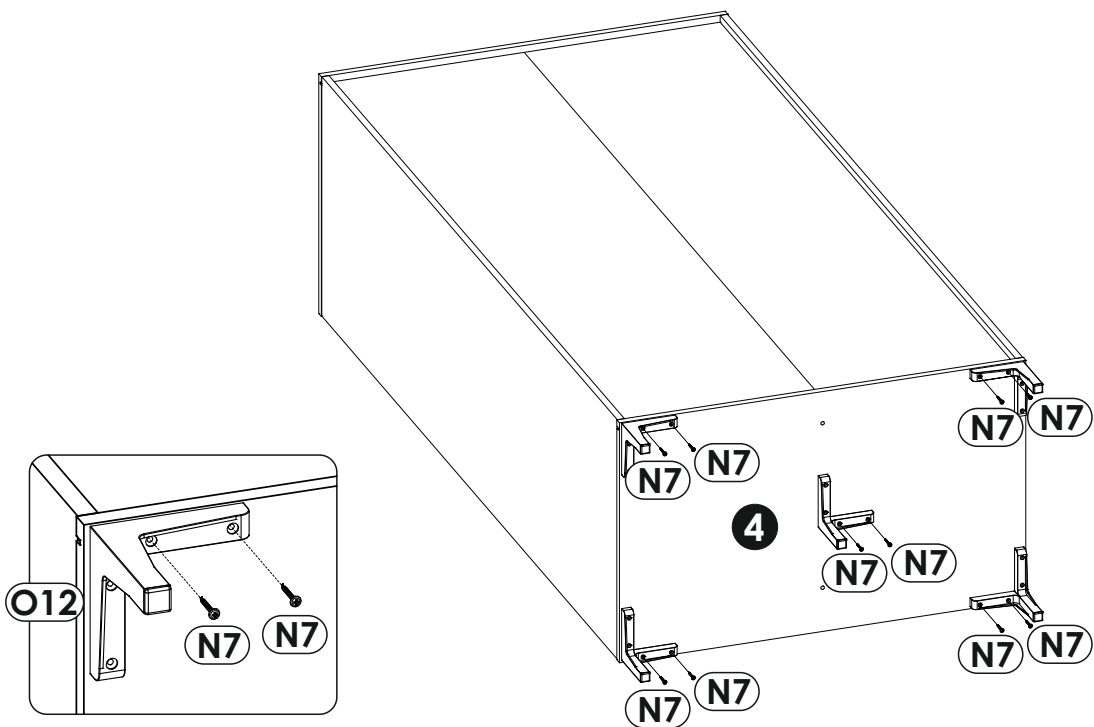
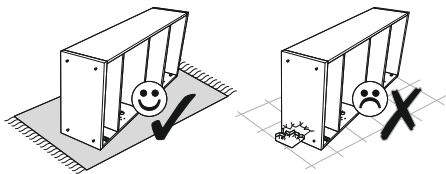
14 ▶



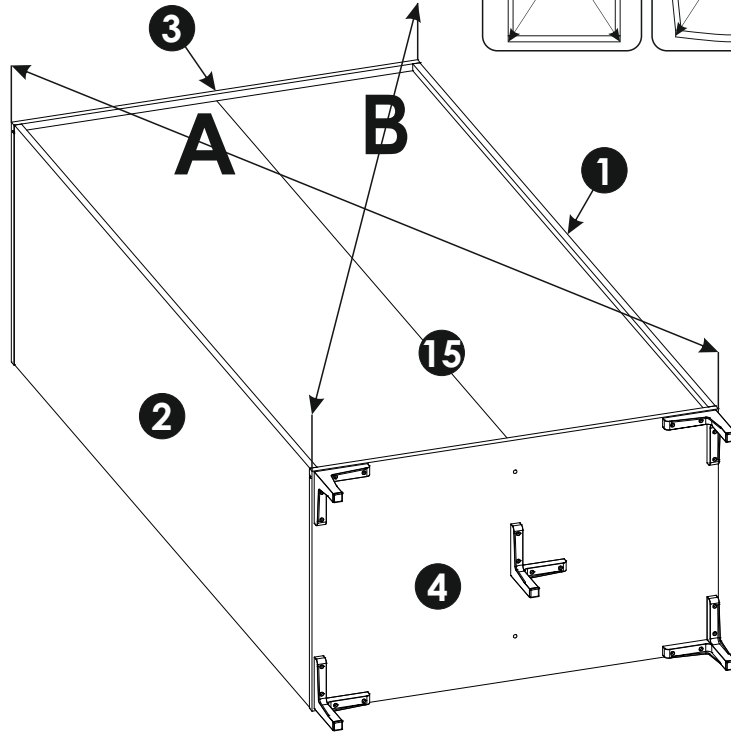
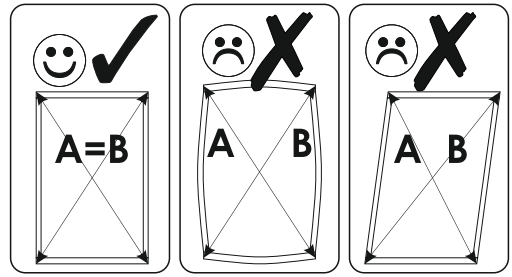
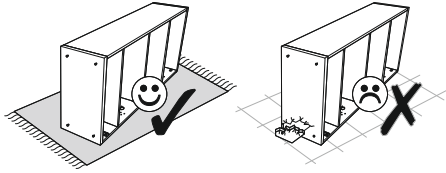
15 ▶



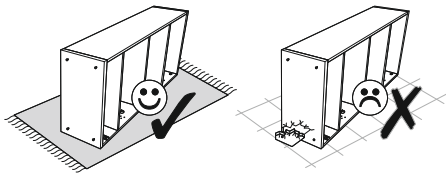
16 ▶



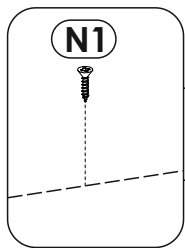
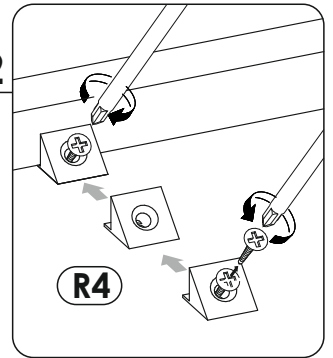
17 ▶



18 ▶

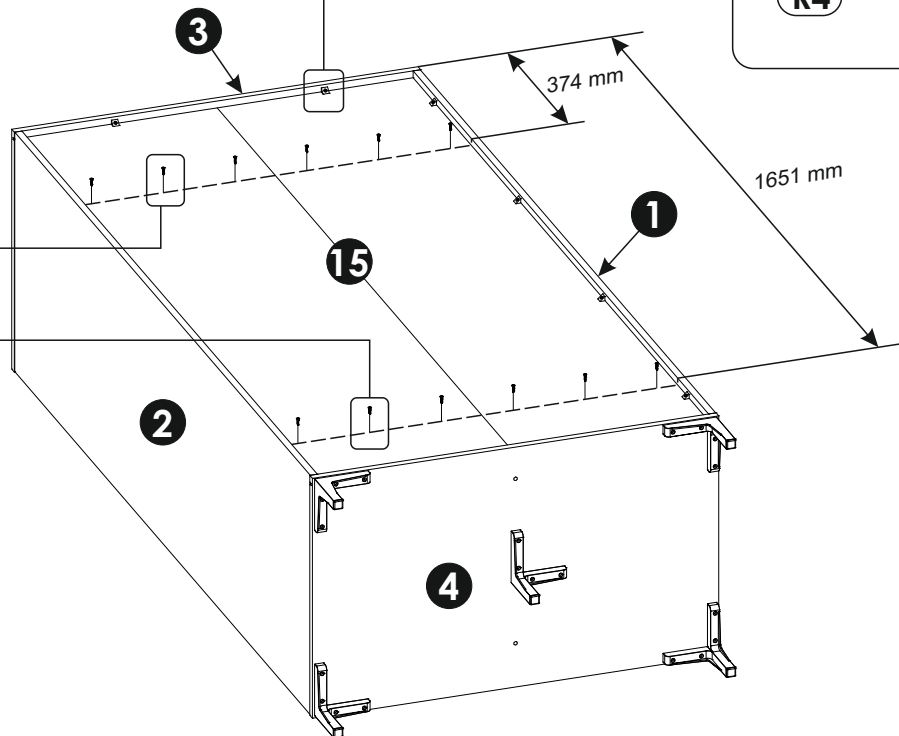


x12

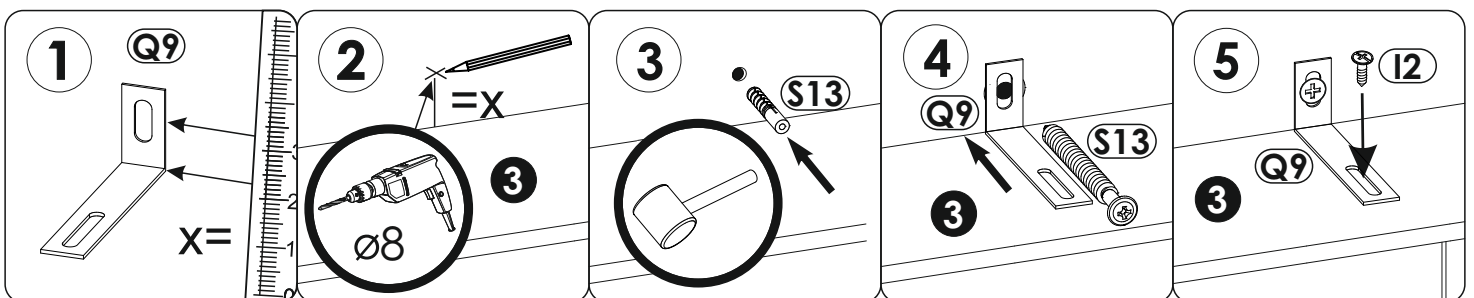
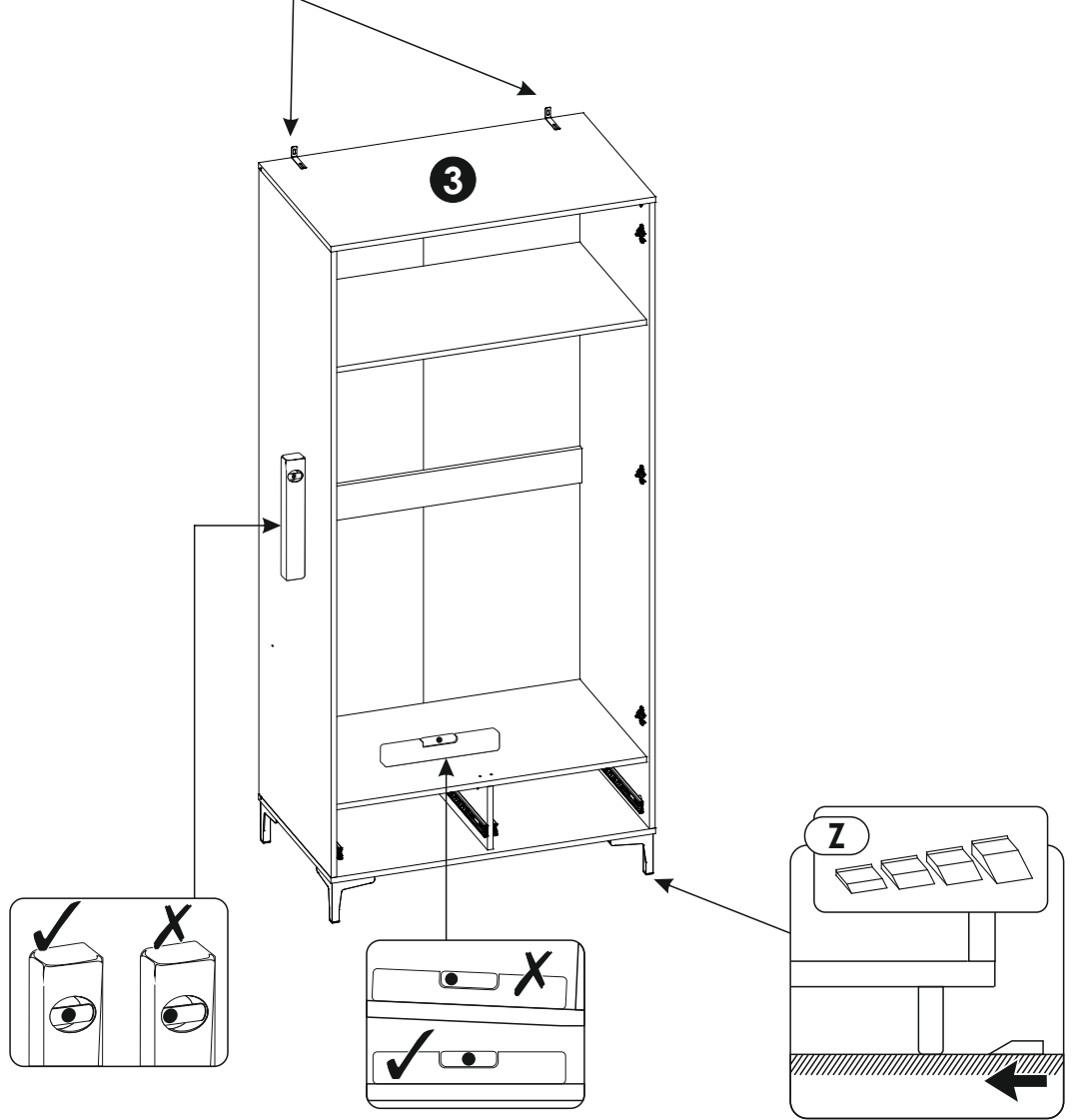
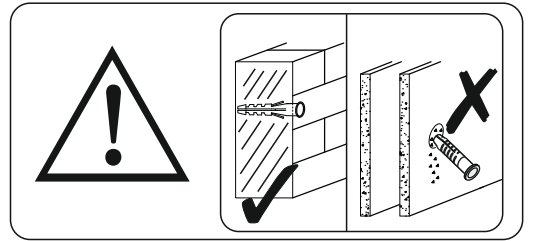
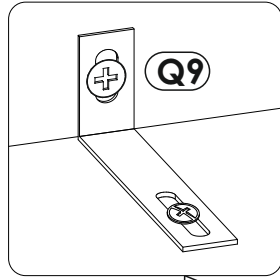


x6

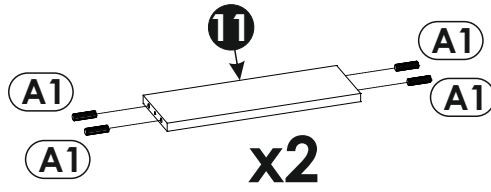
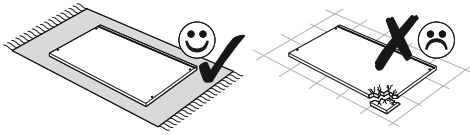
x6



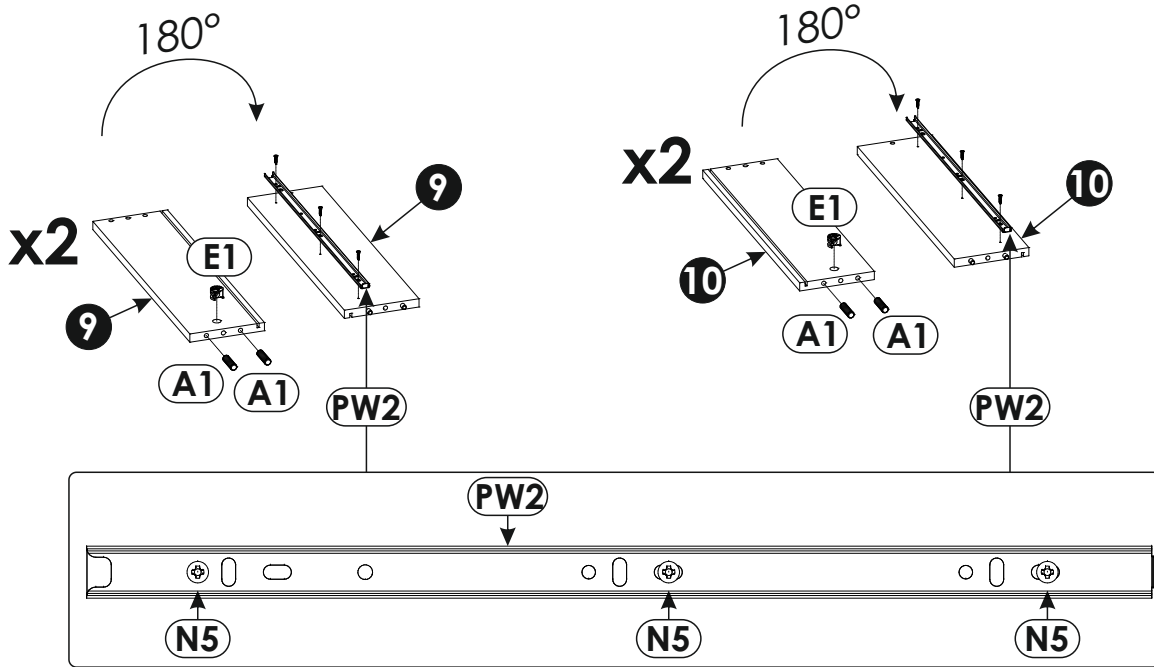
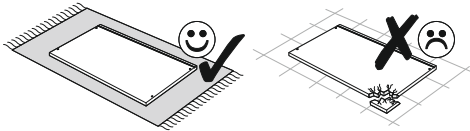
19 ▶



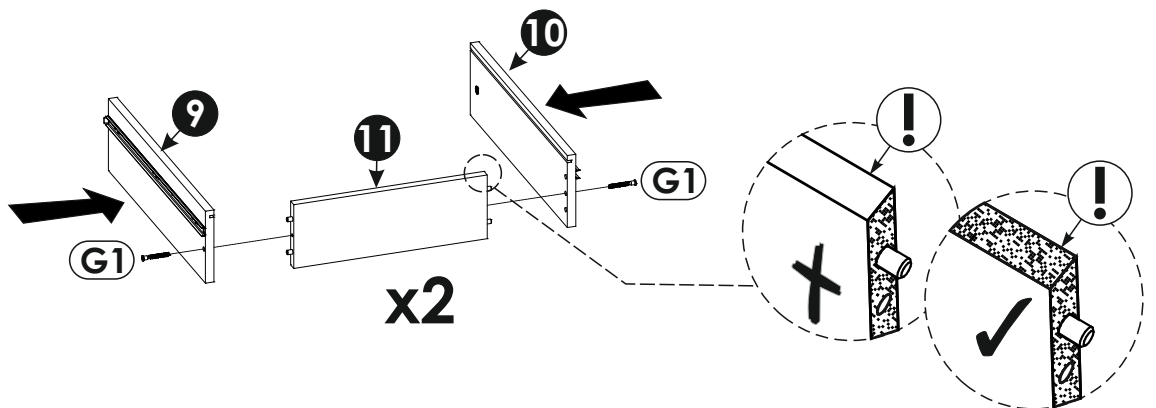
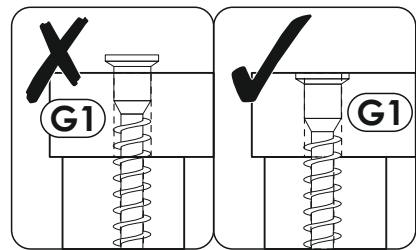
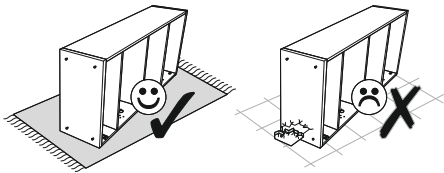
20 ▶



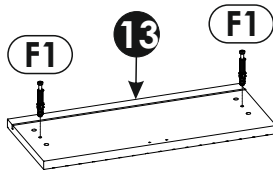
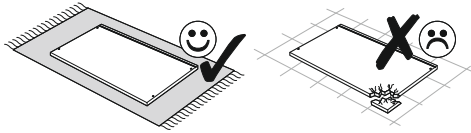
21 ▶



22 ▶

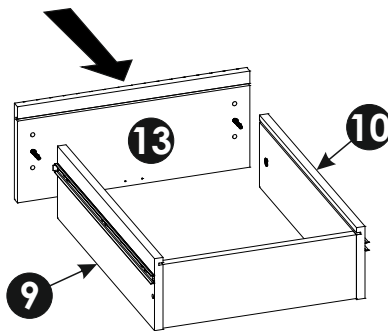
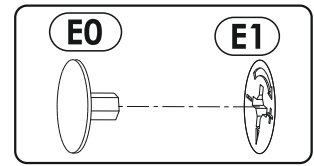
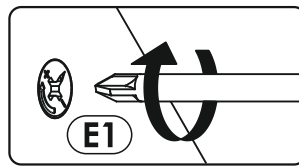
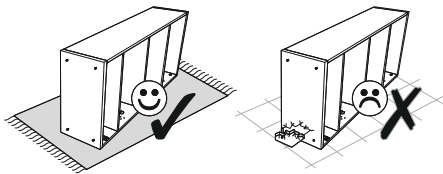


23 ▶



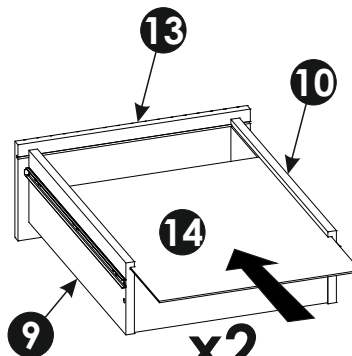
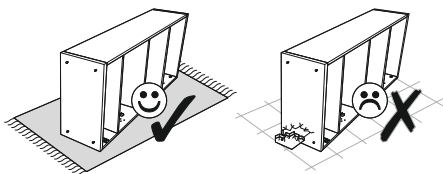
x2

24 ▶



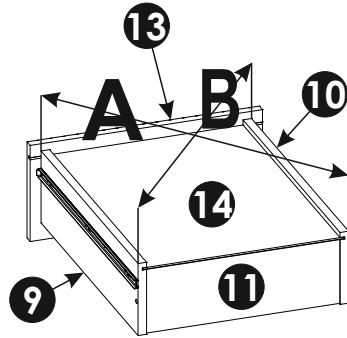
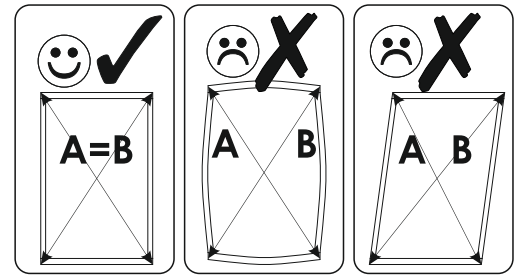
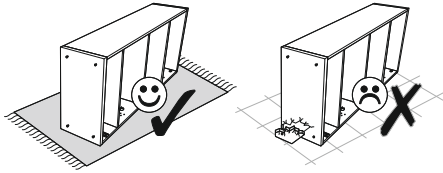
x2

25 ▶

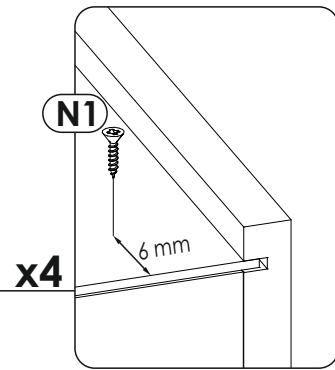
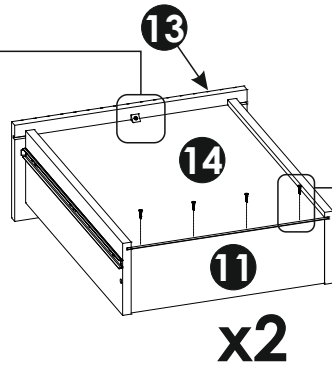
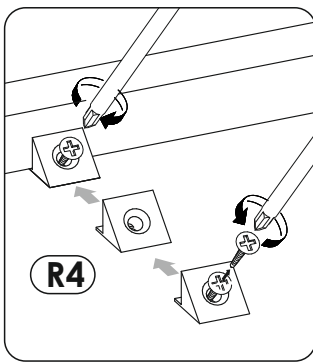
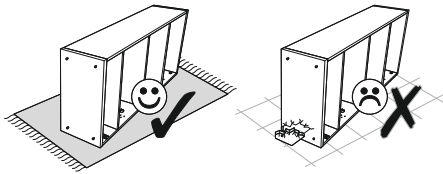


x2

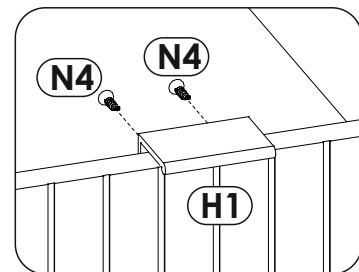
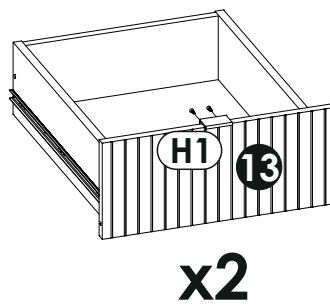
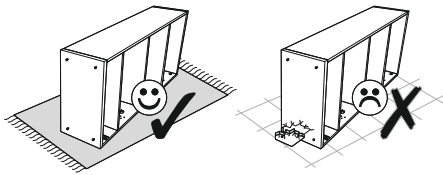
26 ▶



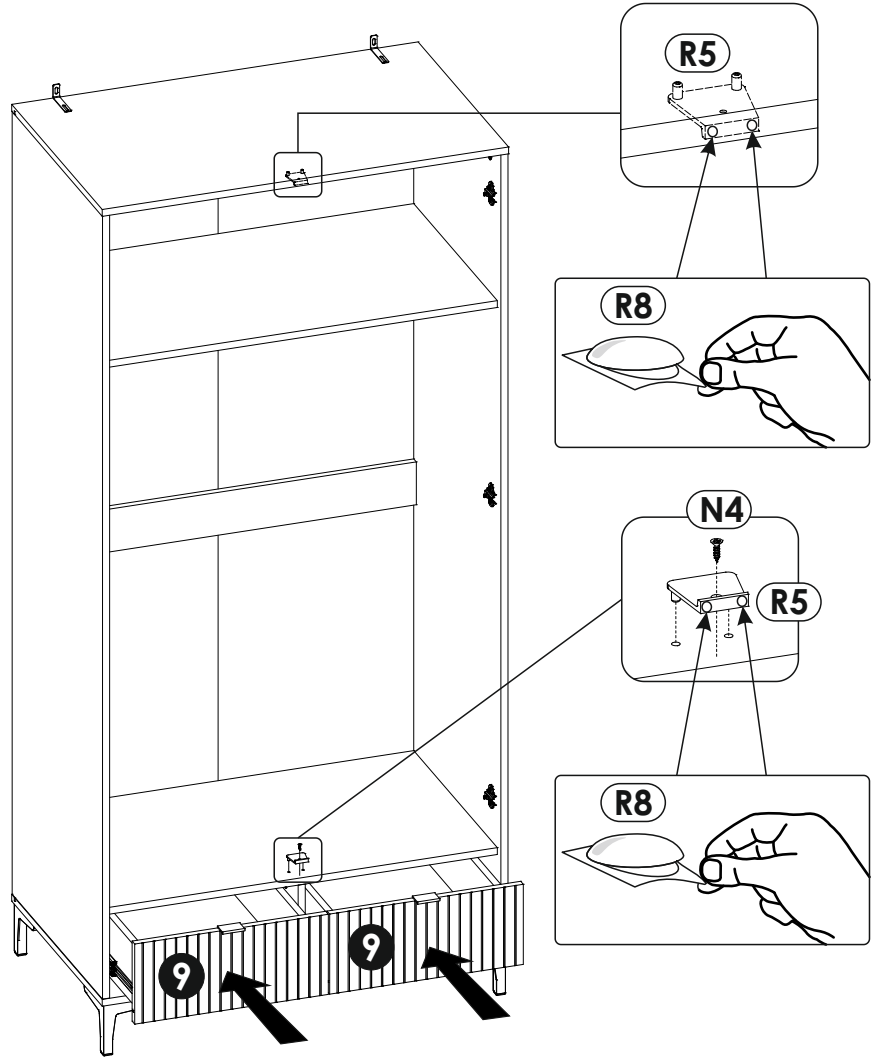
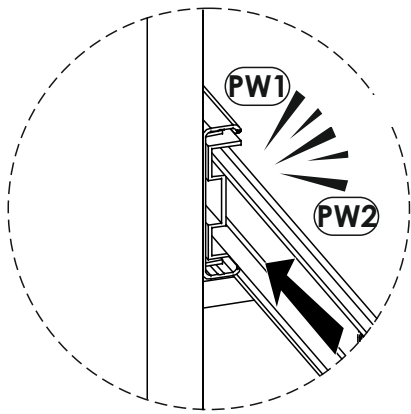
27 ▶



28 ▶



29 ▶



30 ▶

