
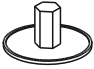


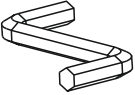
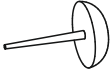
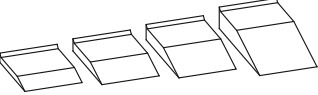
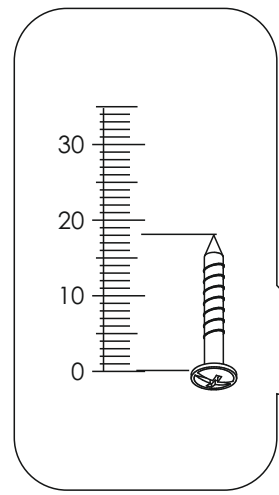
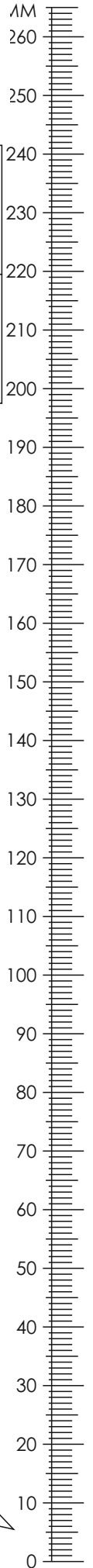
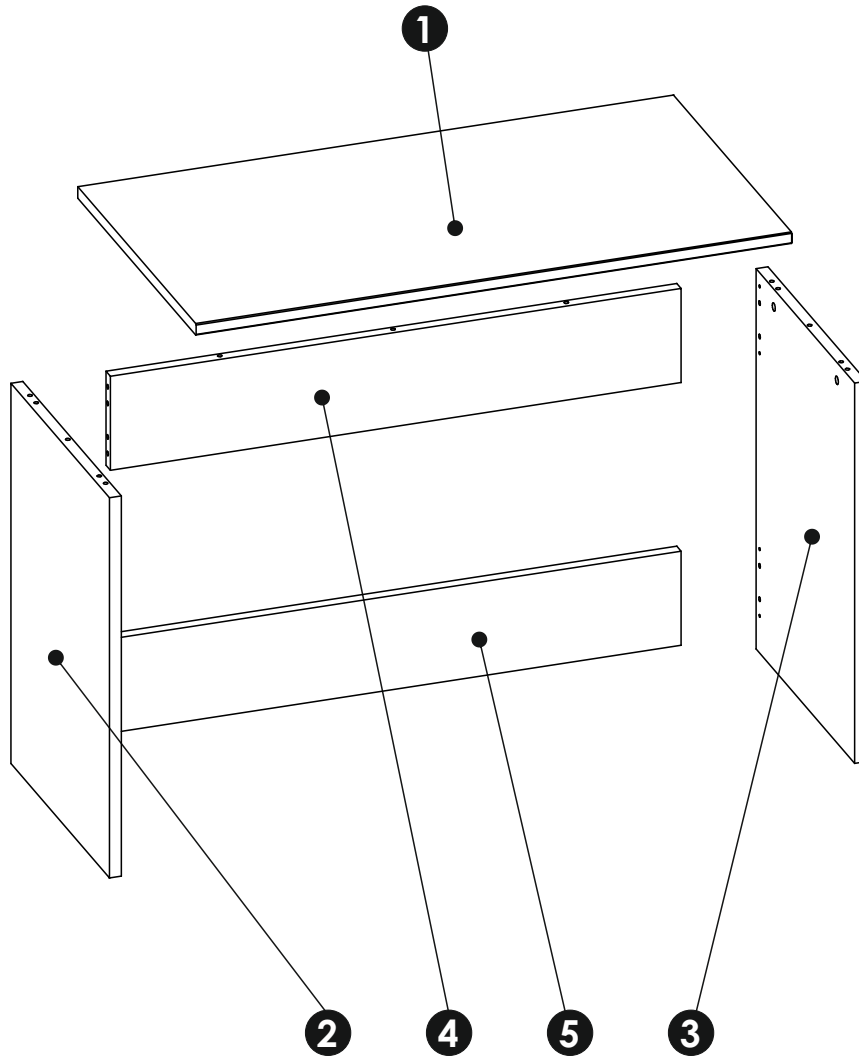
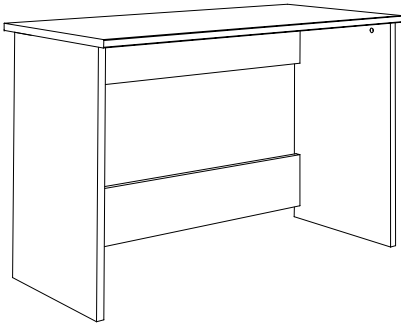
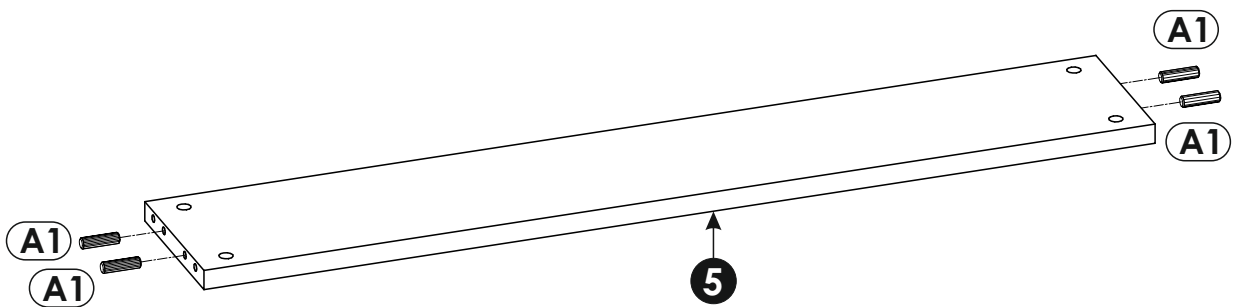
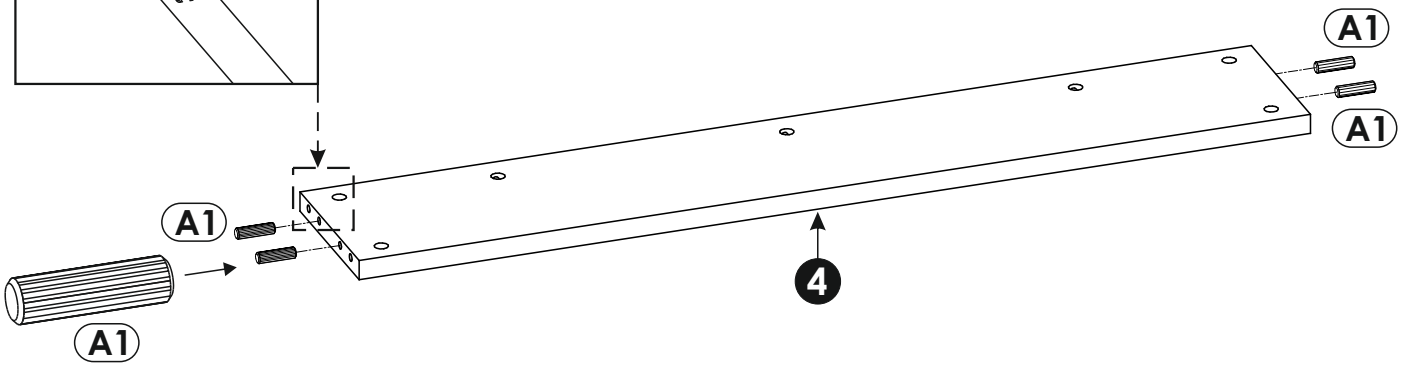
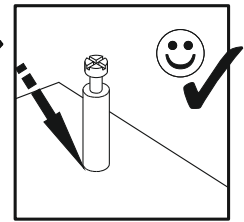
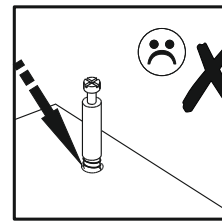
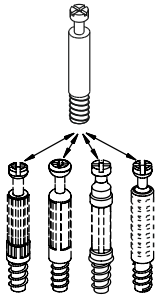
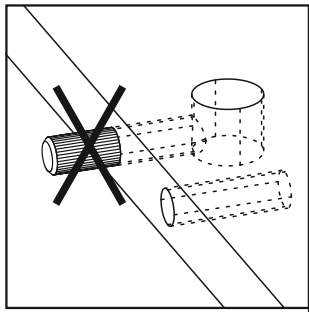
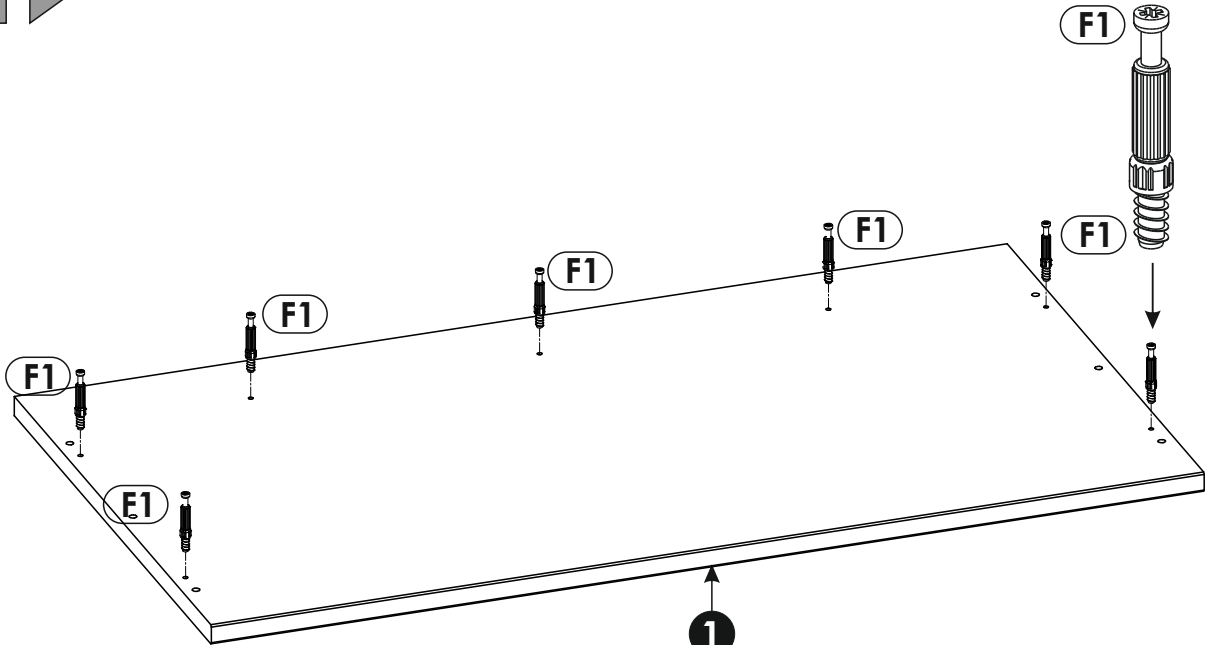
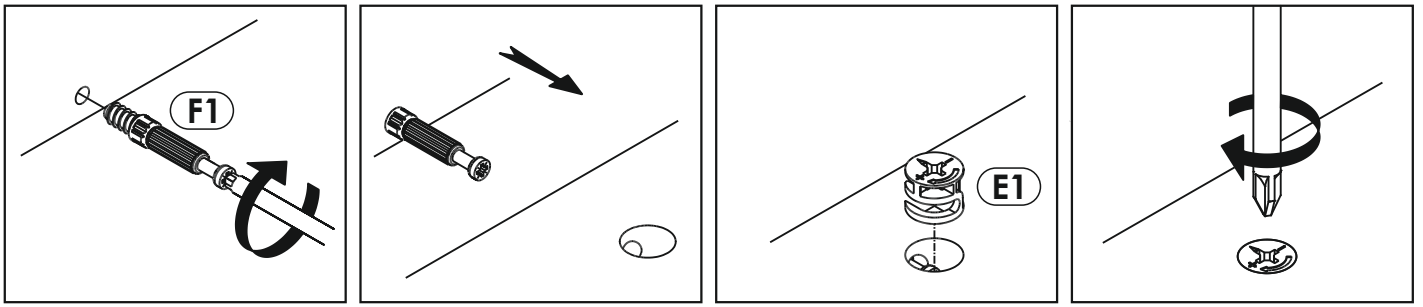


| | | |
|---|--|--|
| A1 x14 $\varnothing 8 \times 35$ mm  | E0 x15  | E1 x15 $\varnothing 15 \times 12$ mm  |
| F1 x15  | M x1  | O2 x4  |
| Z x1  | | |

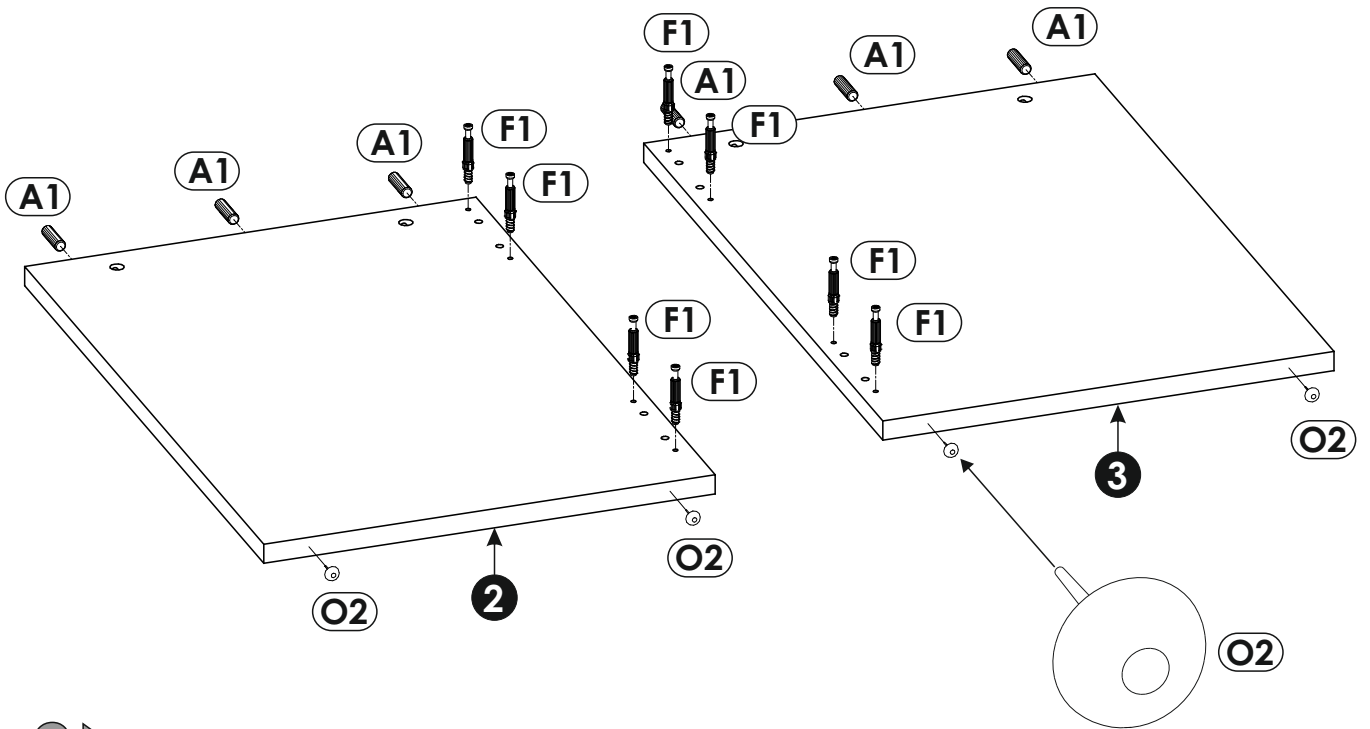




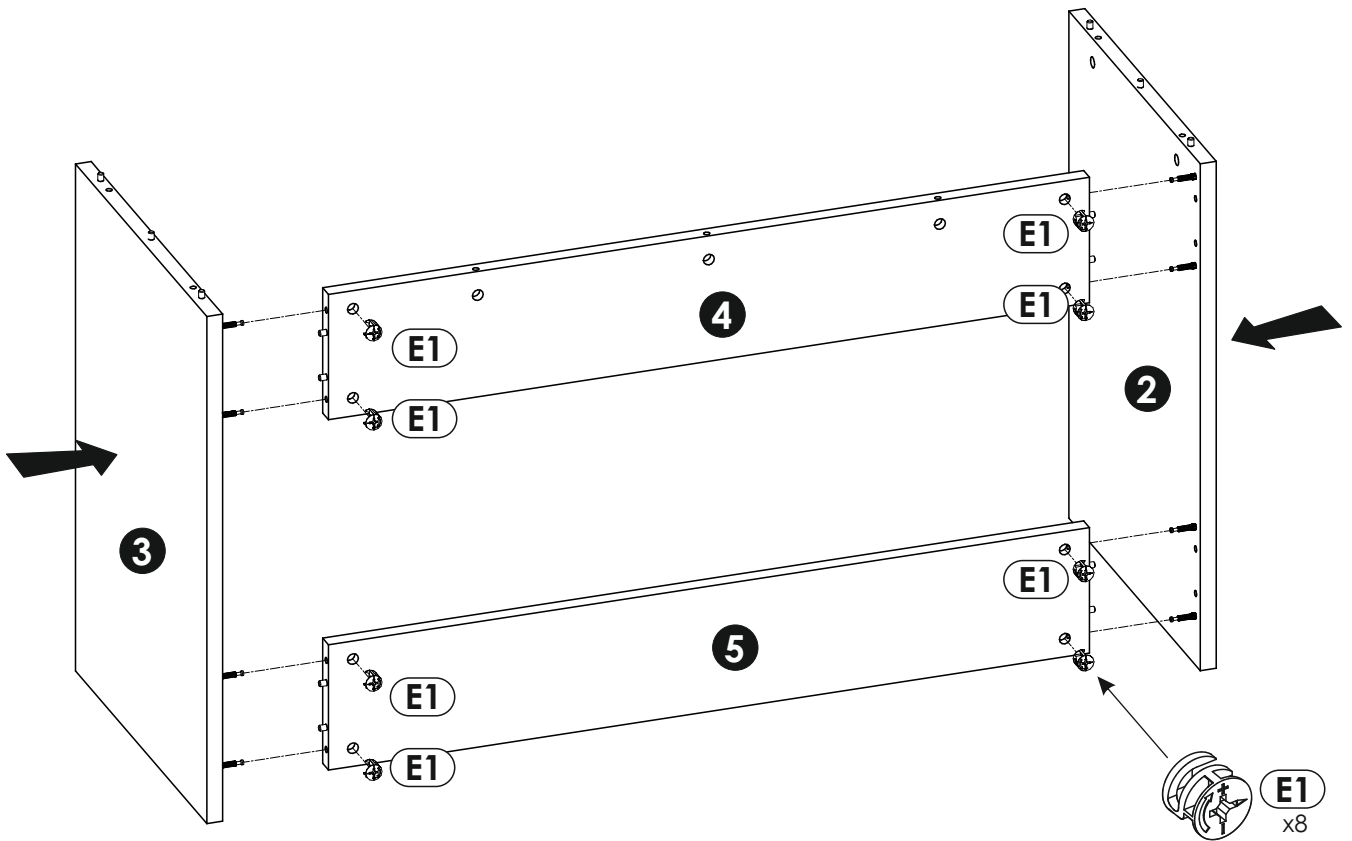
| | | | | | |
|----------|------|-----|----|----|-----|
| 1 | 1100 | 600 | 22 | x1 | 1/1 |
| 2 | 728 | 500 | 22 | x1 | 1/1 |
| 3 | 728 | 500 | 22 | x1 | 1/1 |
| 4 | 1054 | 180 | 22 | x1 | 1/1 |
| 5 | 1054 | 180 | 22 | x1 | 1/1 |

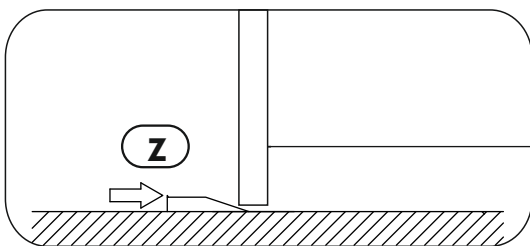
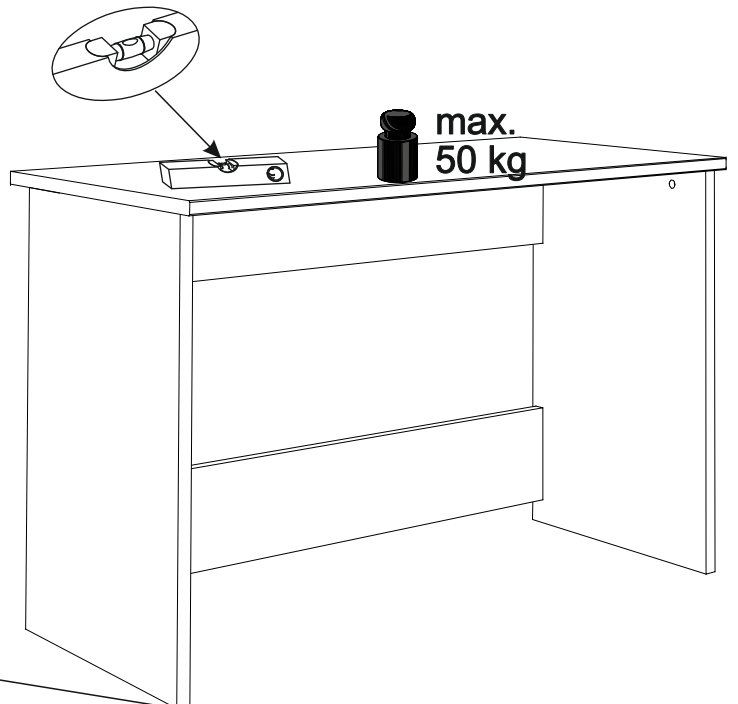
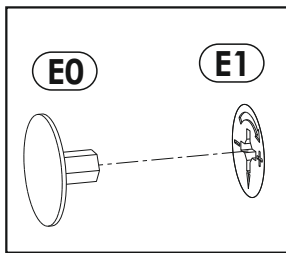
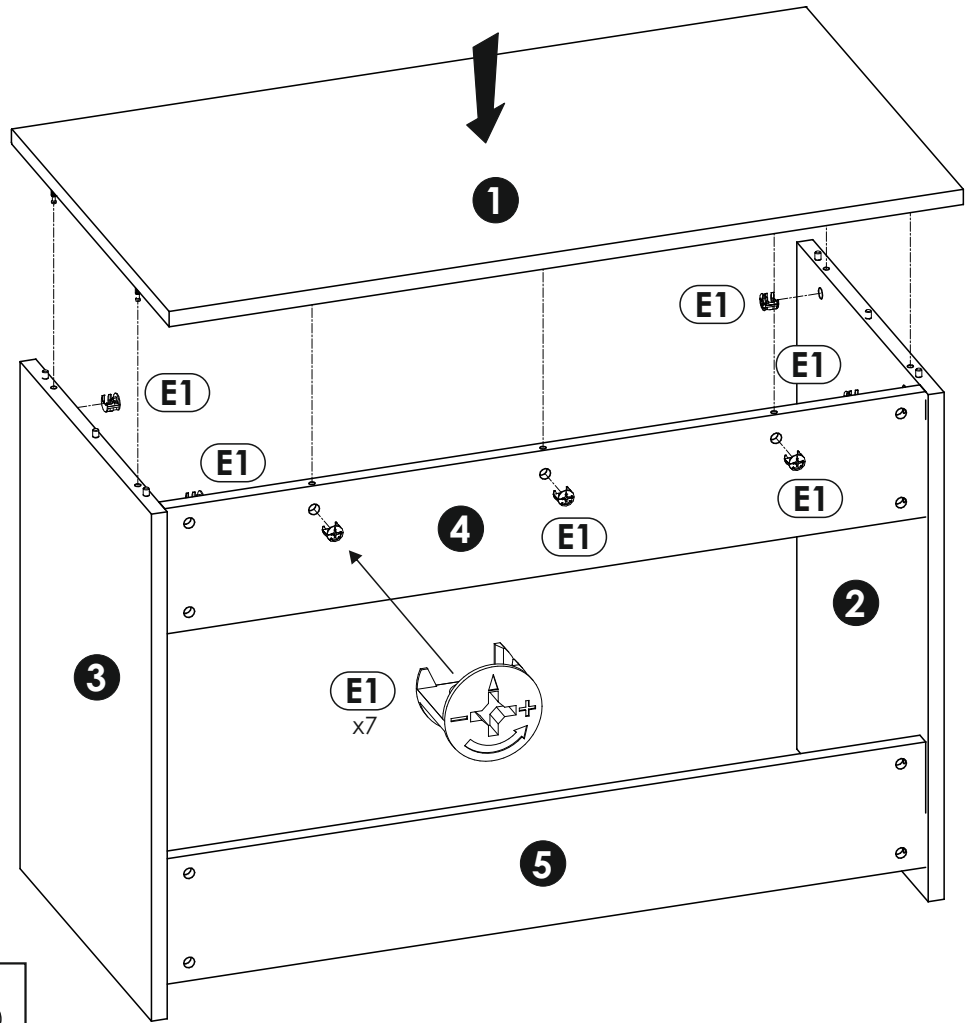


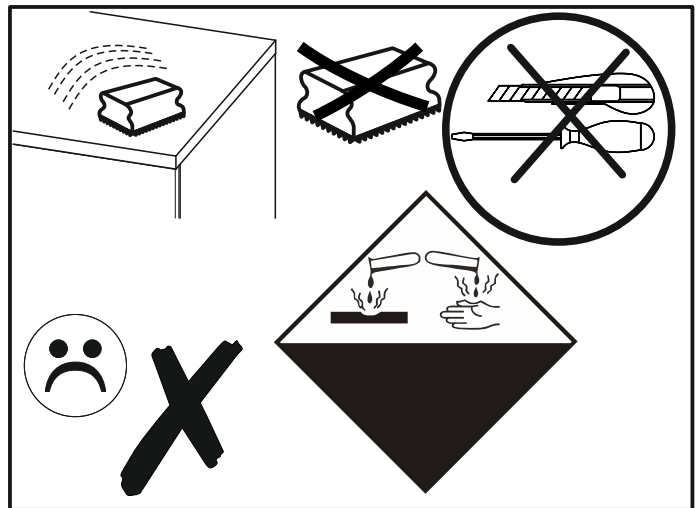
2 ▶

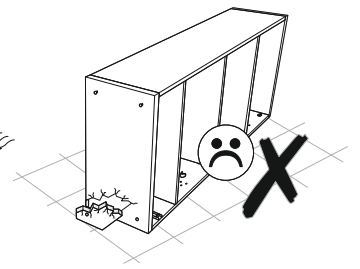
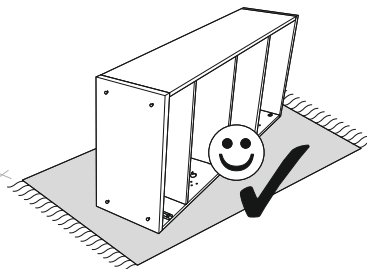
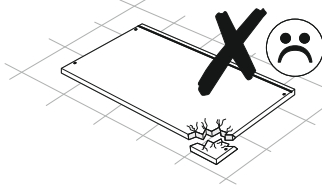
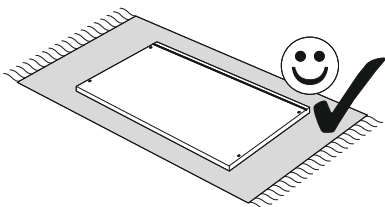
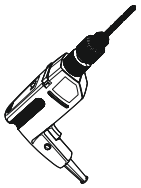
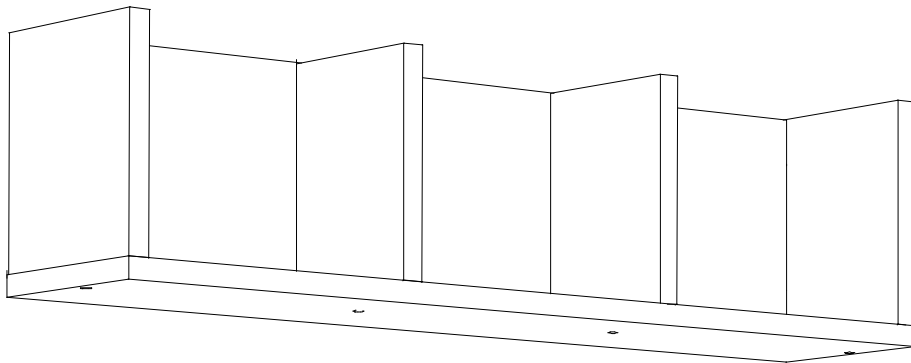
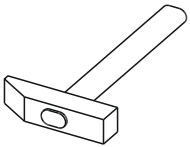
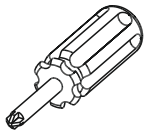
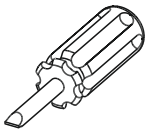
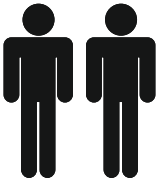


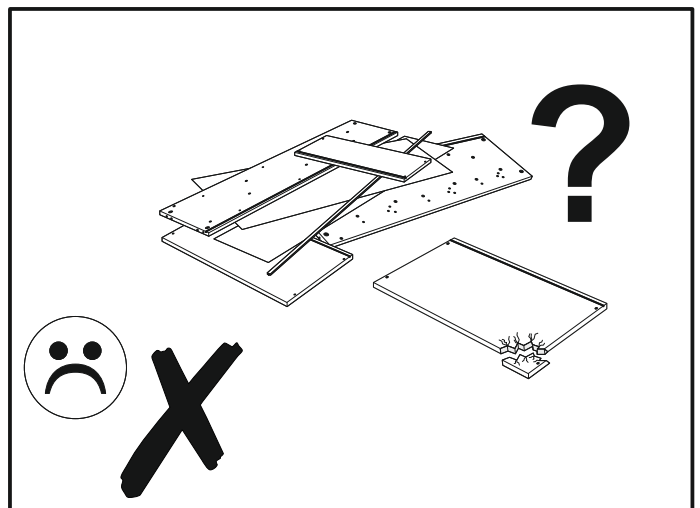
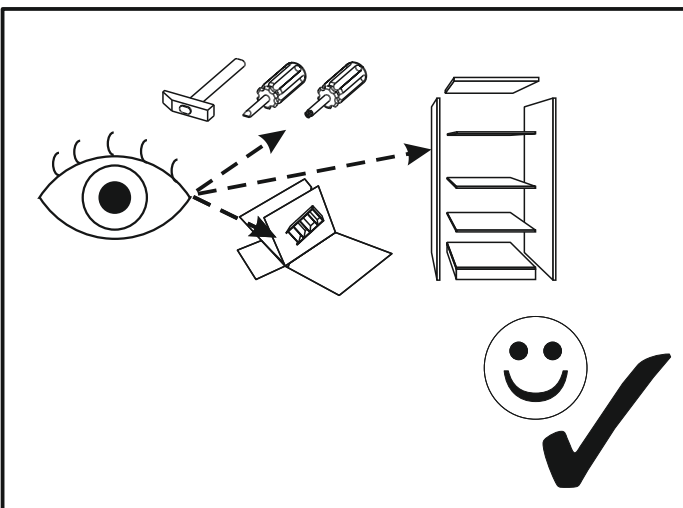
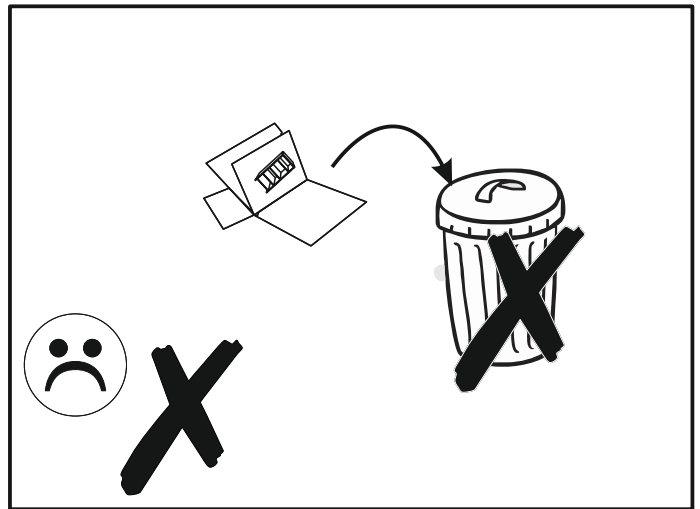
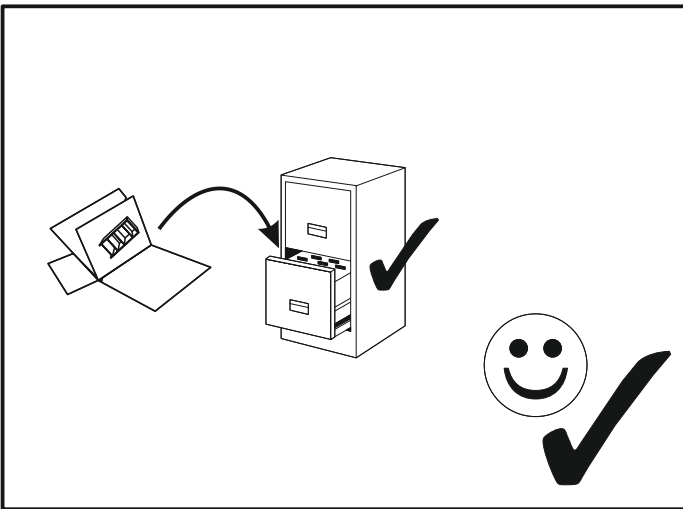
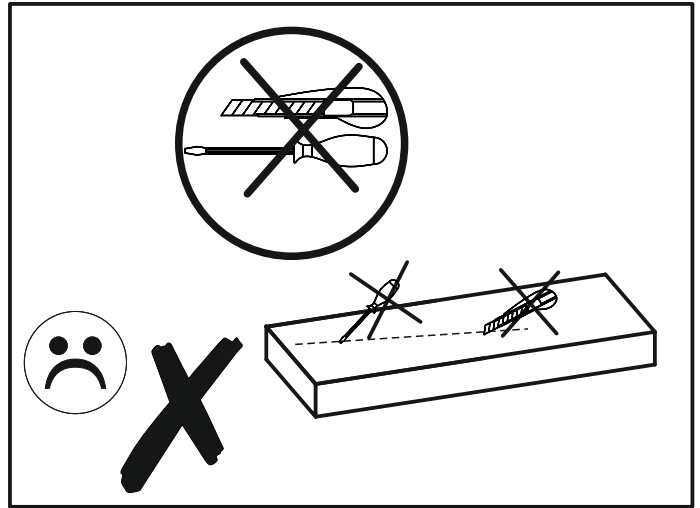
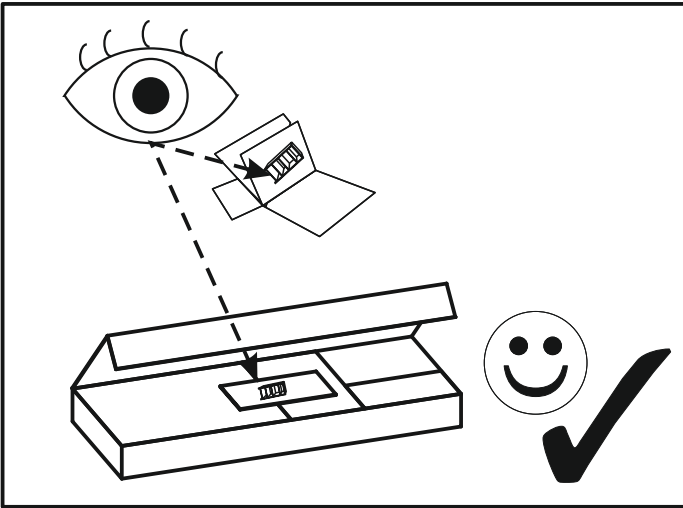
3 ▶



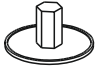




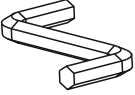



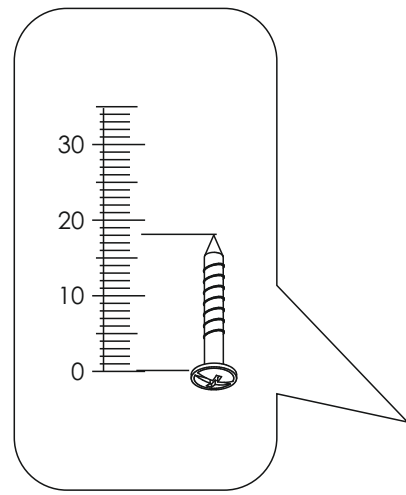
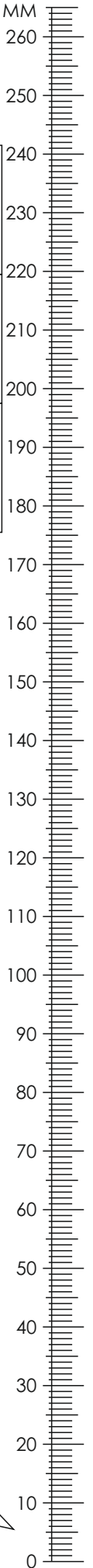


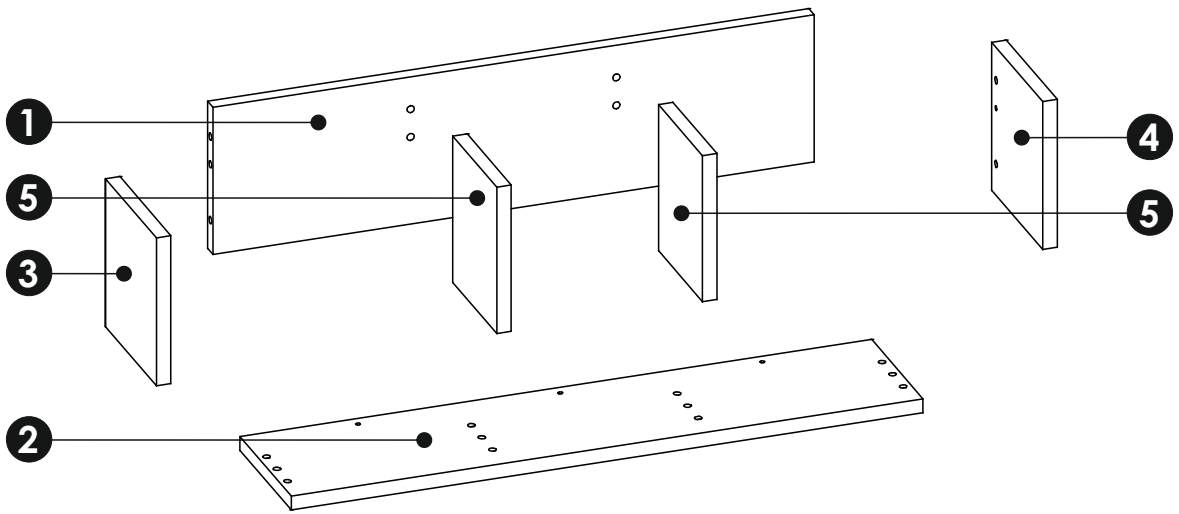
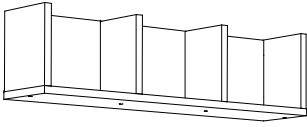




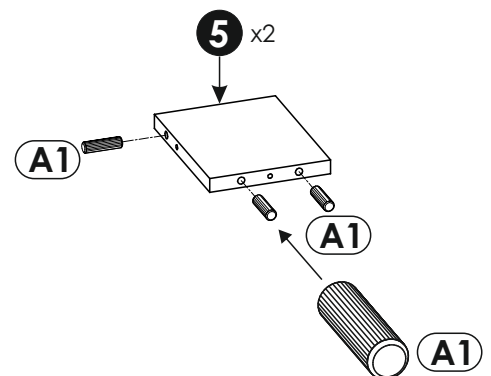
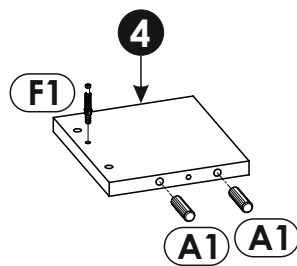
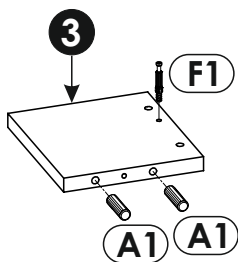
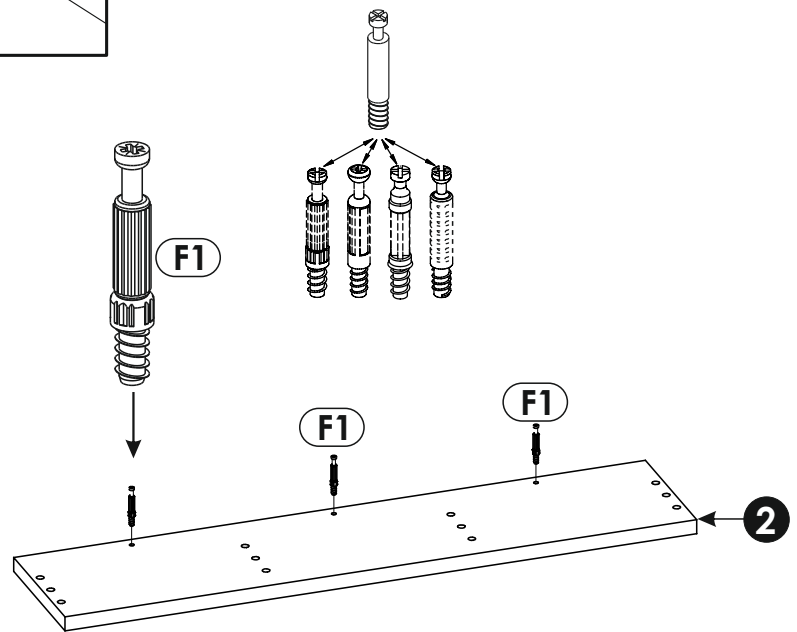
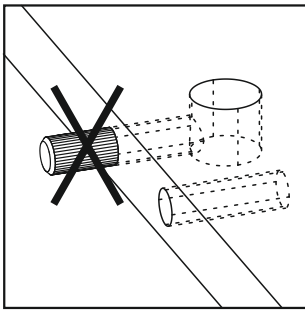
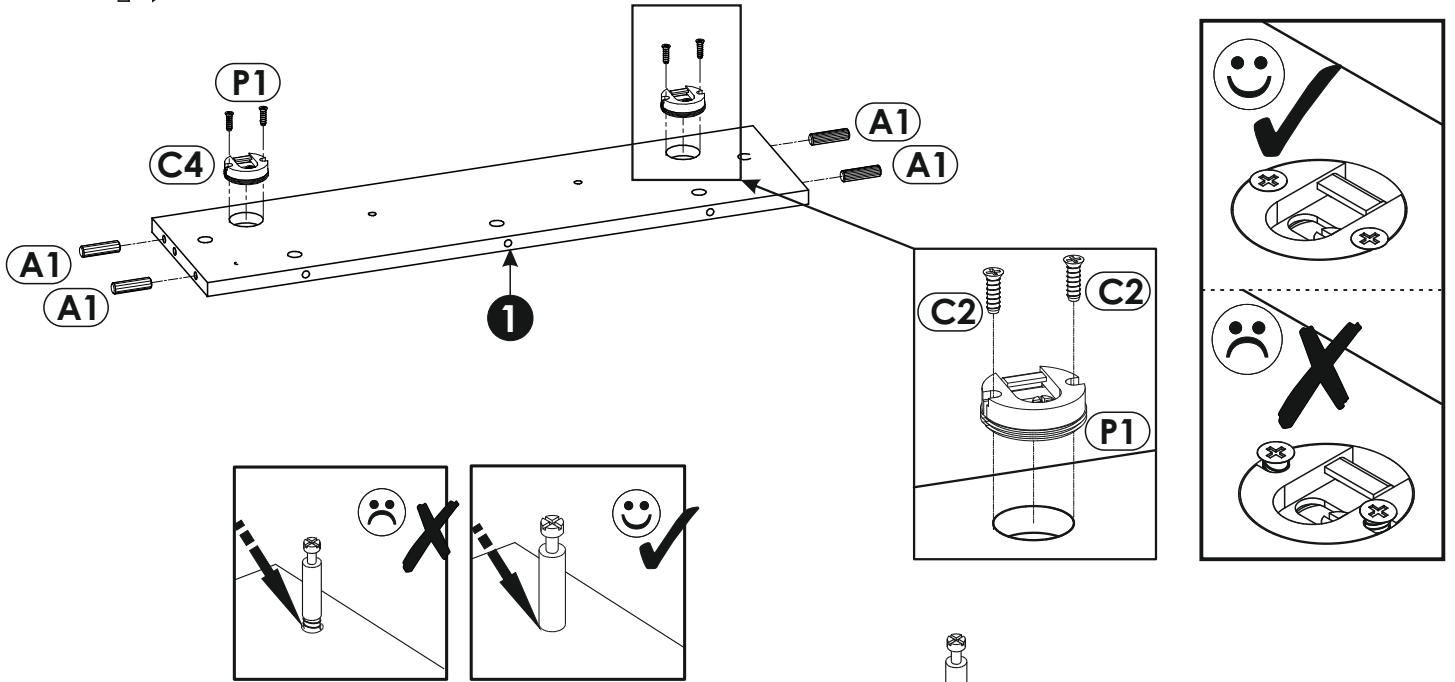
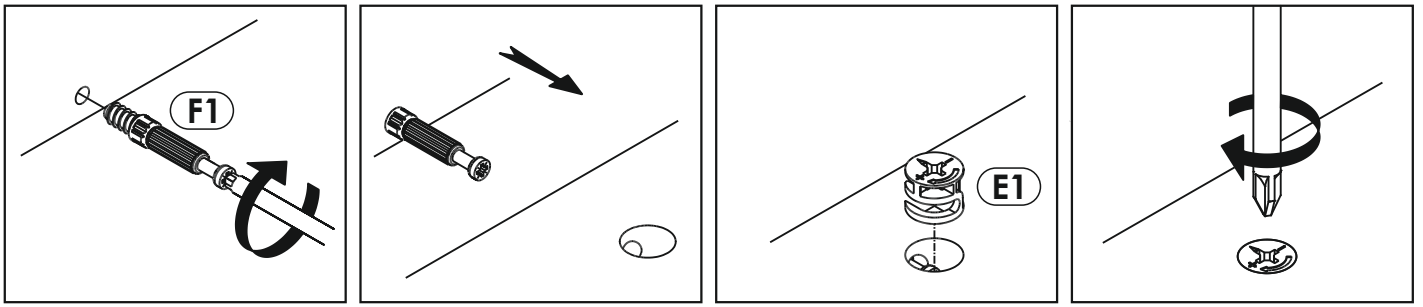


| | | |
|--|---|---|
| A1 x14  | C2 x4 5 x 13 mm  | E0 x5  |
| E1 x5  | F1 x5  | G0 x6  |
| G1 x6 $\phi 7$ x 50 mm  | M x1  | P1 x2  |

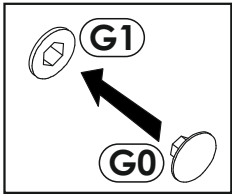
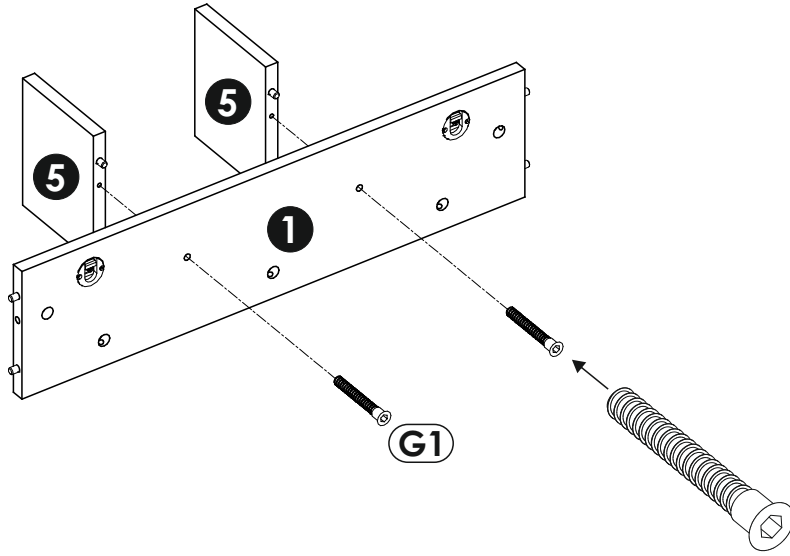




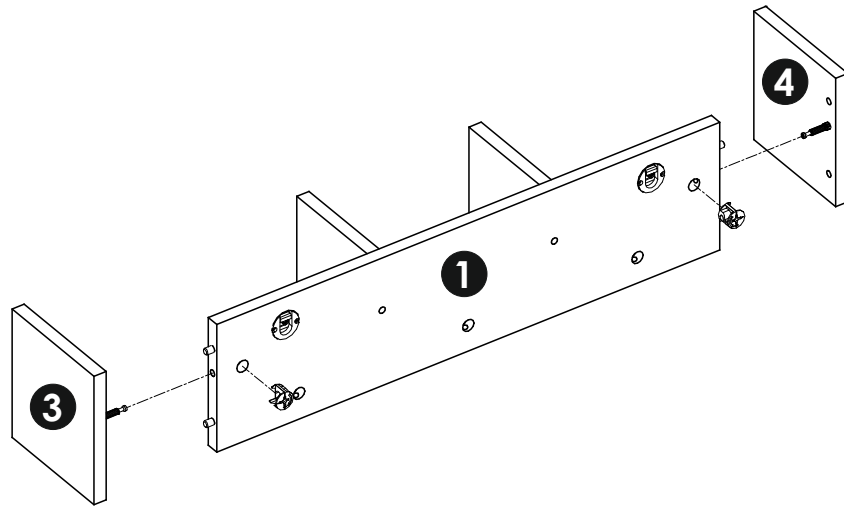
| | | | | | |
|----------|-----|-----|----|----|-----|
| 1 | 666 | 169 | 16 | x1 | 1/1 |
| 2 | 700 | 156 | 16 | x1 | 1/1 |
| 3 | 170 | 155 | 16 | x1 | 1/1 |
| 4 | 170 | 155 | 16 | x1 | 1/1 |
| 5 | 168 | 134 | 16 | x2 | 1/1 |



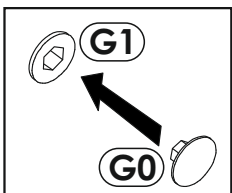
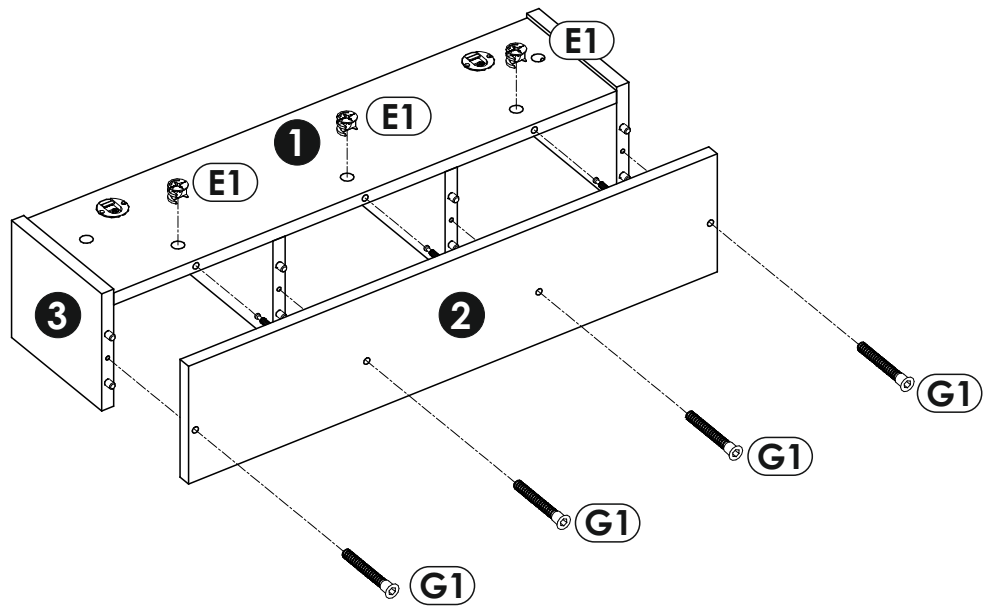
2▶



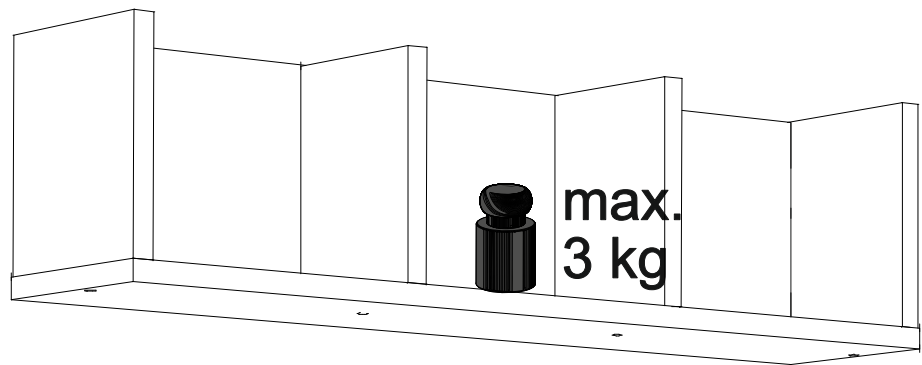
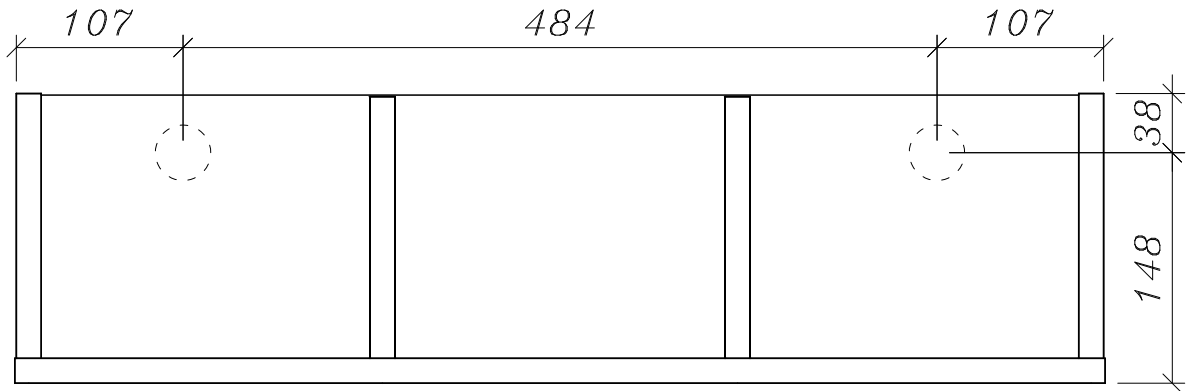
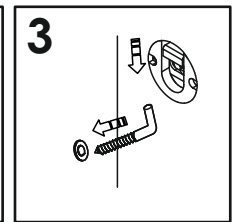
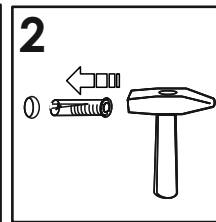
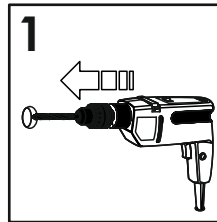
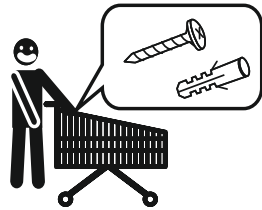
3▶

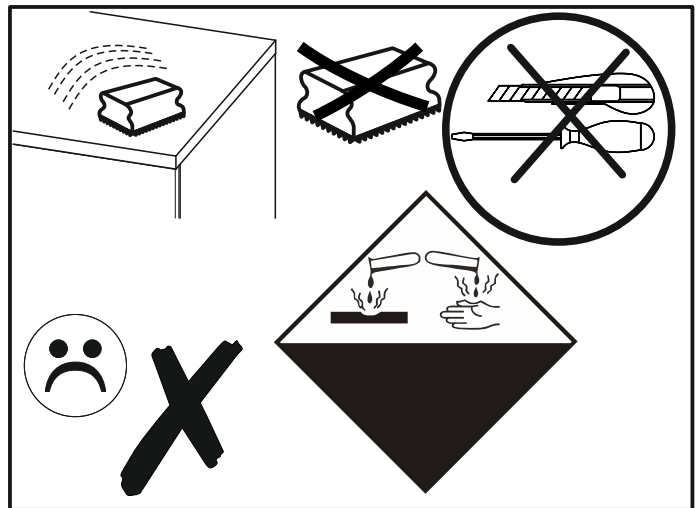
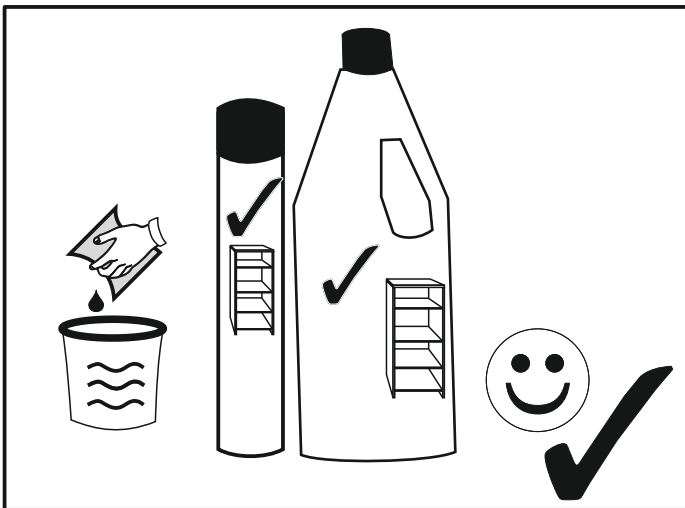
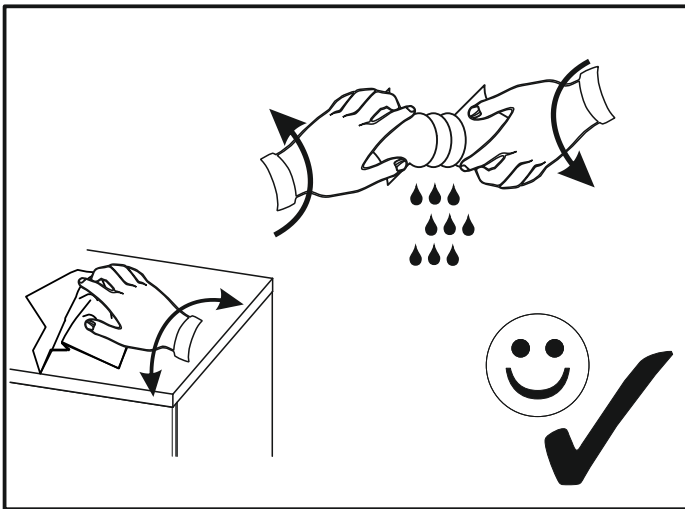
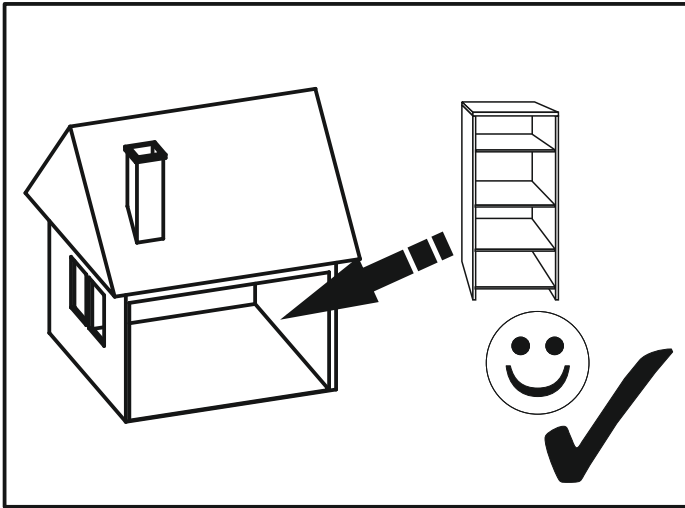


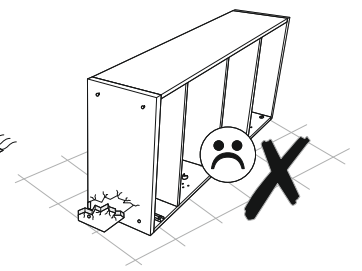
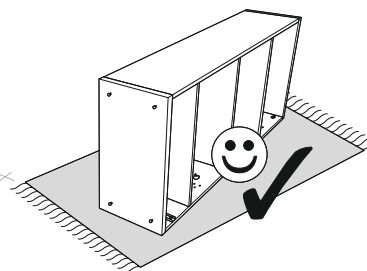
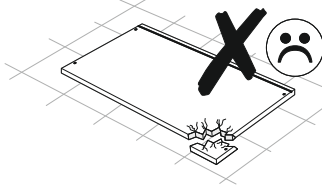
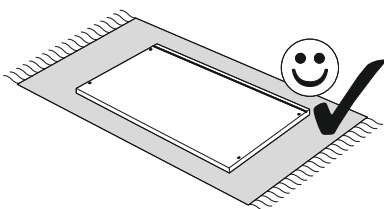
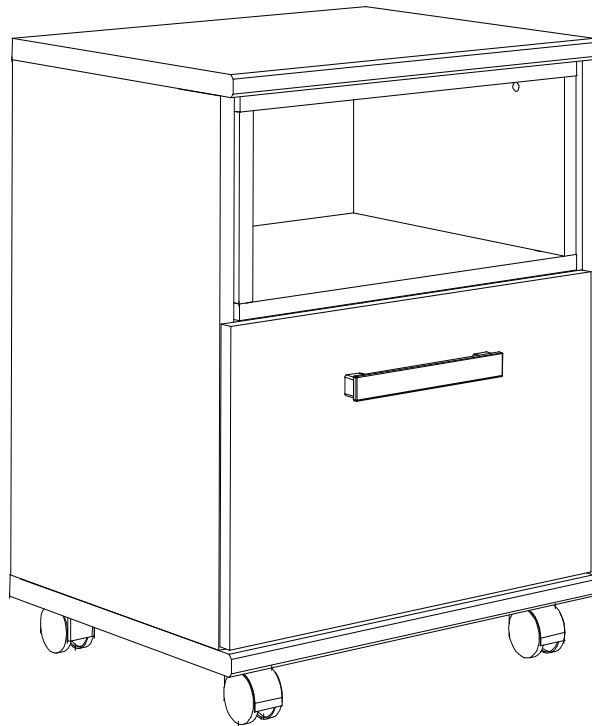
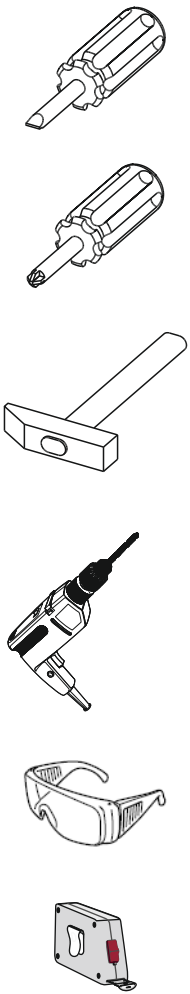
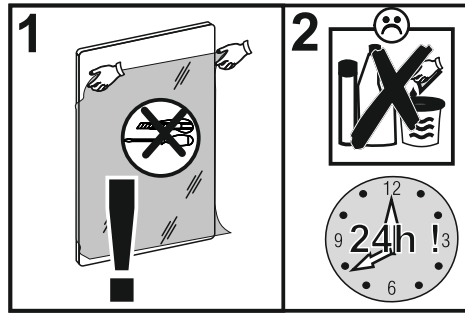
4▶

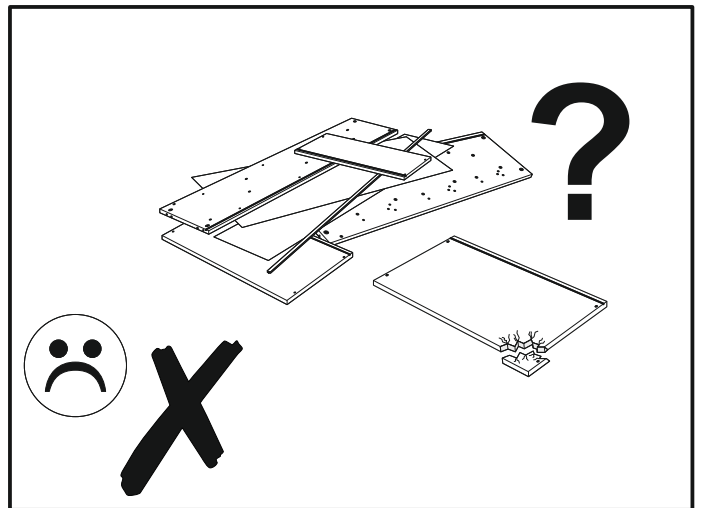
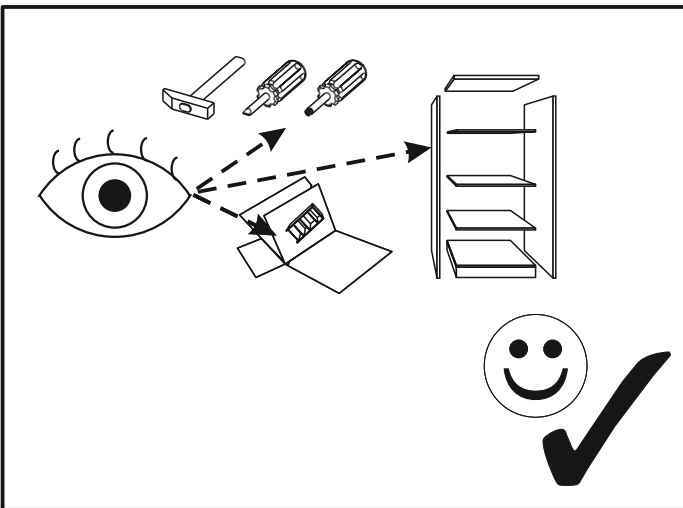
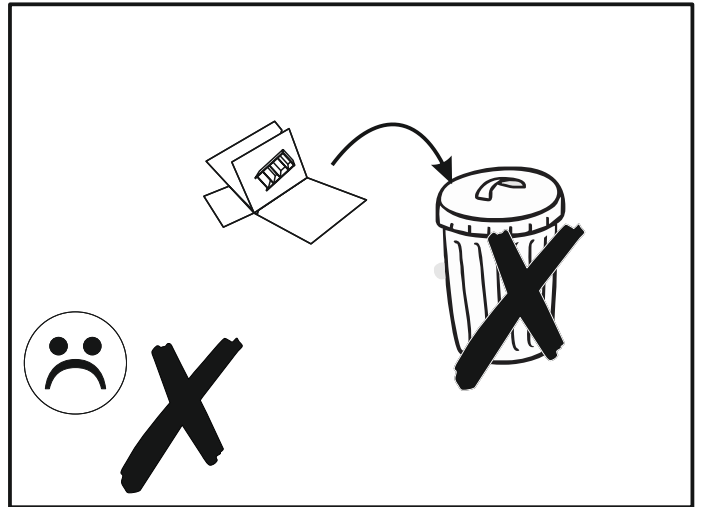
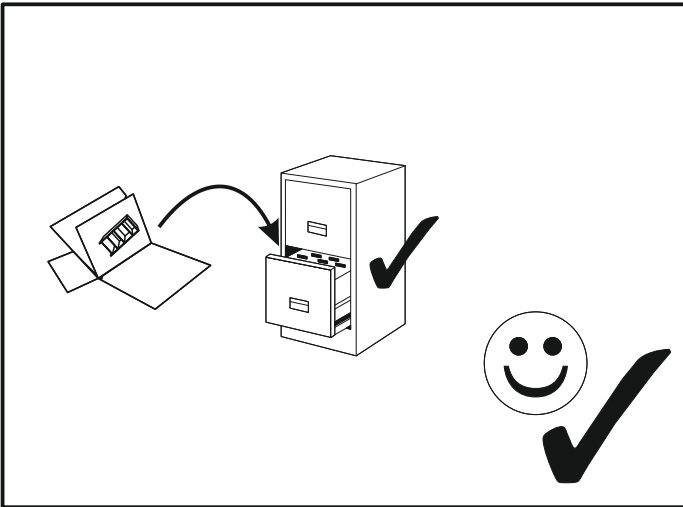
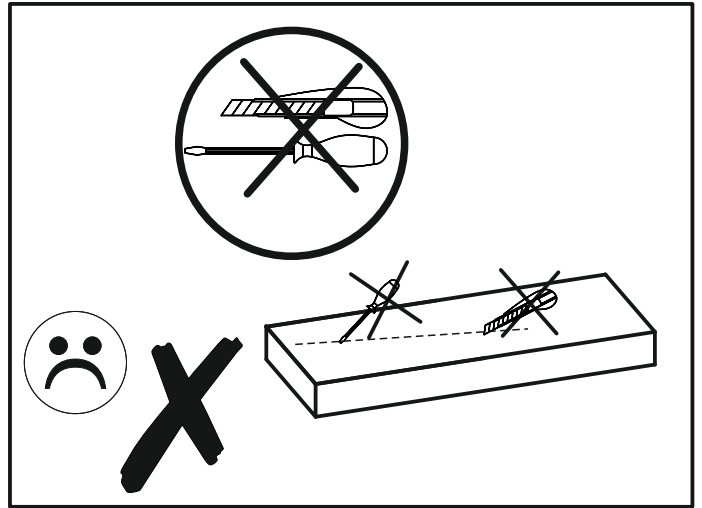
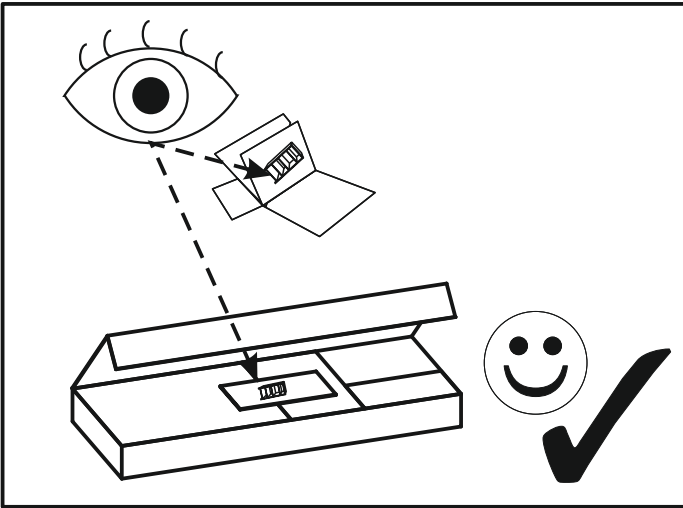



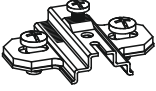


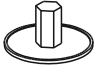







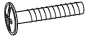
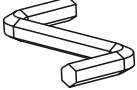

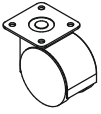
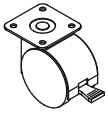



5 ▶

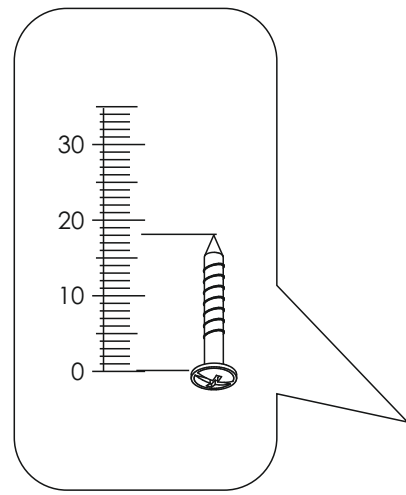
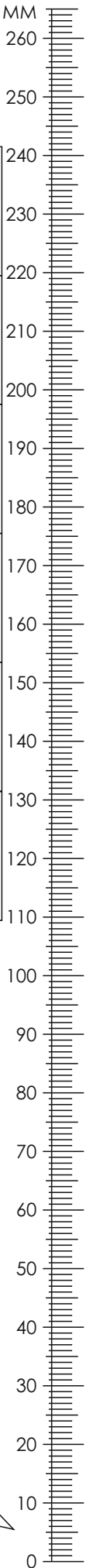


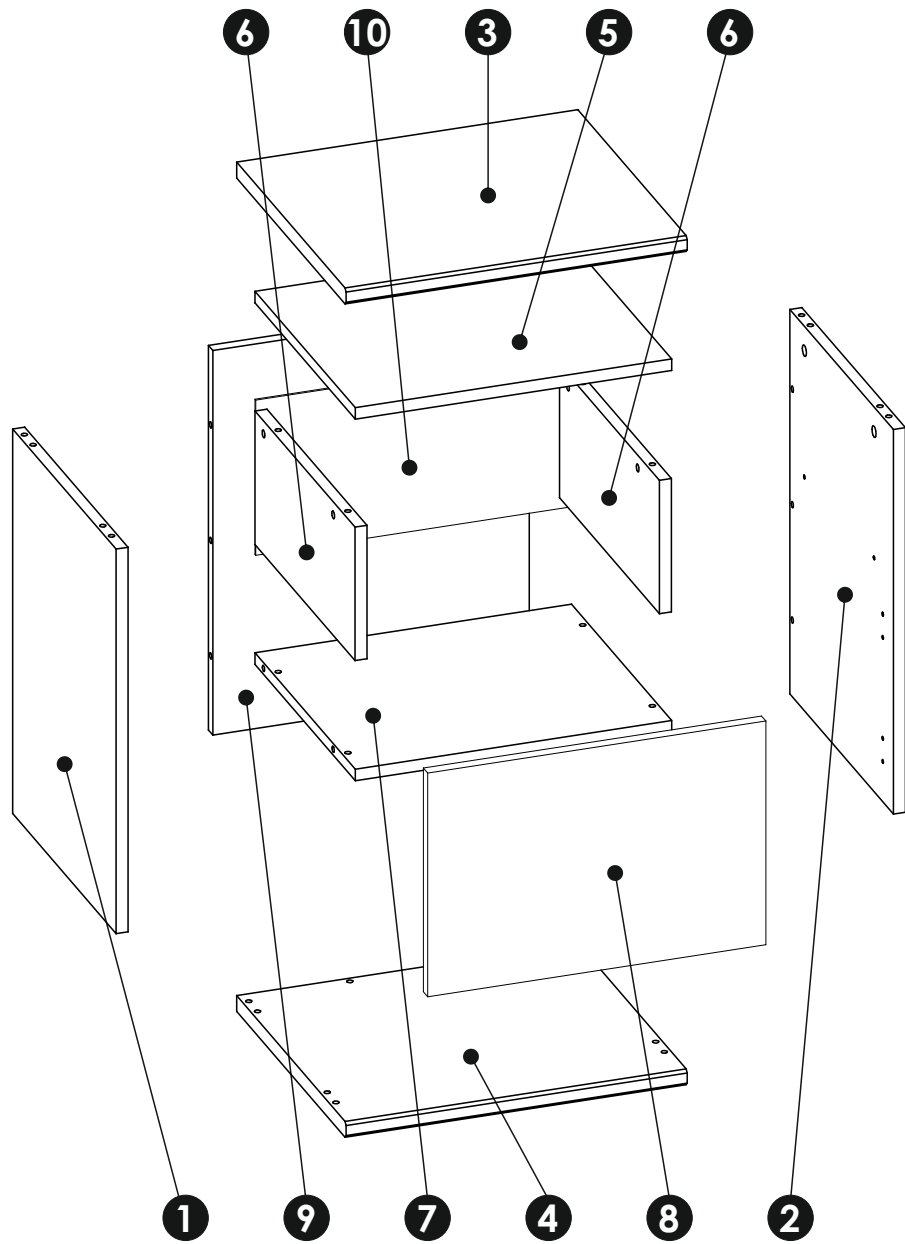
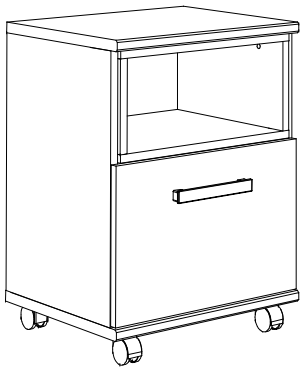






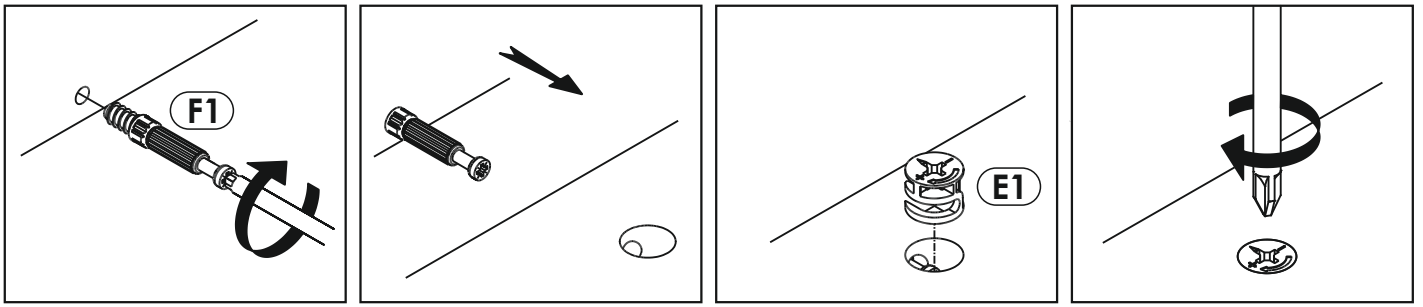
| | | |
|---|--|---|
| A1 x26 $\varnothing 8 \times 35$ mm  | B0 x2  | B1 x2  |
| C1 x4 EURO 4 x 13 mm  | E0 x4  | E1 x8 $\varnothing 15 \times 12$ mm  |
| F1 x8  | G0 x6  | G1 x4 $\varnothing 7 \times 50$ mm  |
| G2 x4 $\varnothing 7 \times 60$ mm  | H1 x1  | I2 x16 4 x 16 mm  |
| K3 x2 M4 x 22 mm  | M x1  | N1 x10 3 x 16 mm  |
| O14 x2  | O16 x2  | P0 x6 $\varnothing 5$  |
| P14 x4 $\varnothing 10$  | R8 x2  | |



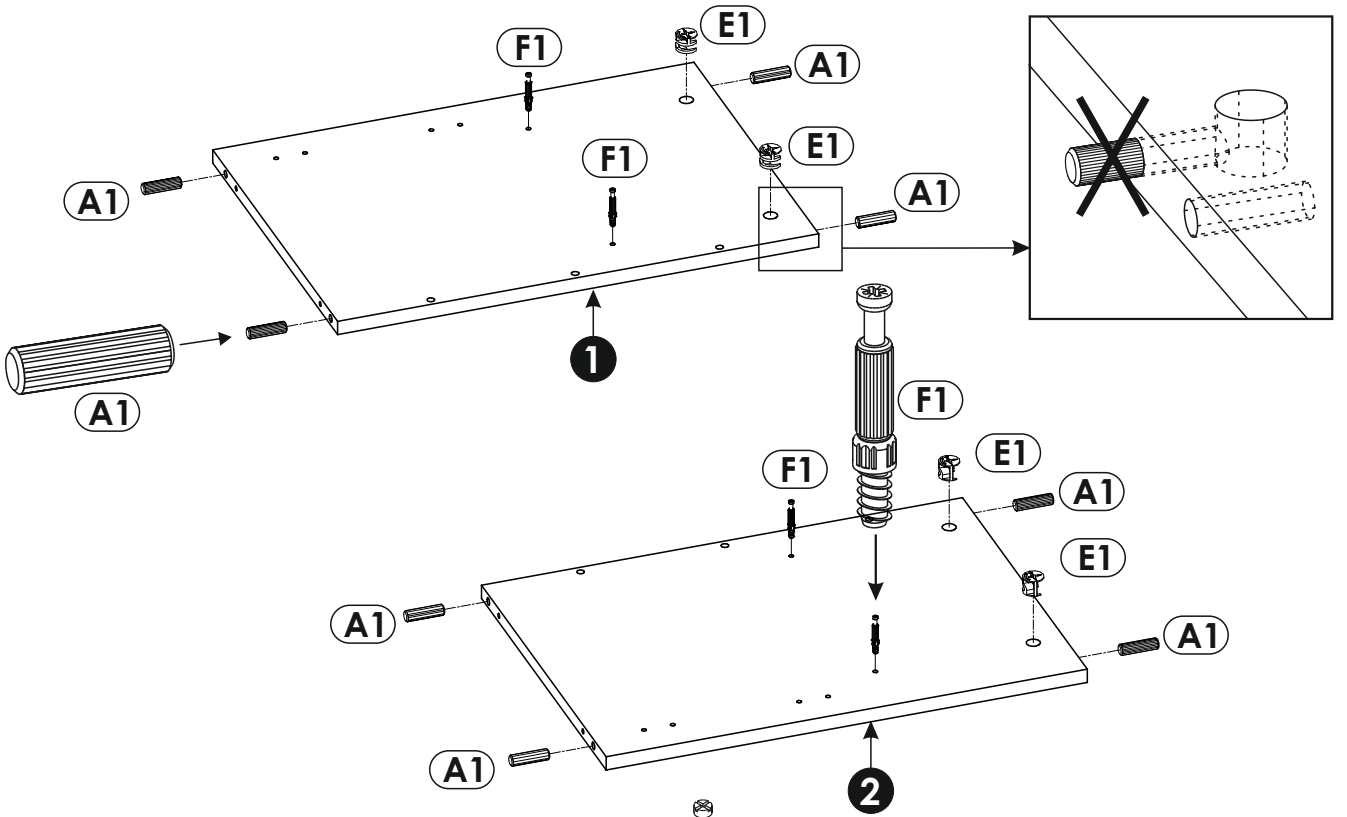


| | | | | | |
|----------|-----|-----|----|----|-----|
| 1 | 533 | 434 | 16 | x1 | 1/1 |
| 2 | 533 | 434 | 16 | x1 | 1/1 |
| 3 | 456 | 456 | 22 | x1 | 1/1 |
| 4 | 456 | 456 | 22 | x1 | 1/1 |
| 5 | 423 | 422 | 16 | x1 | 1/1 |

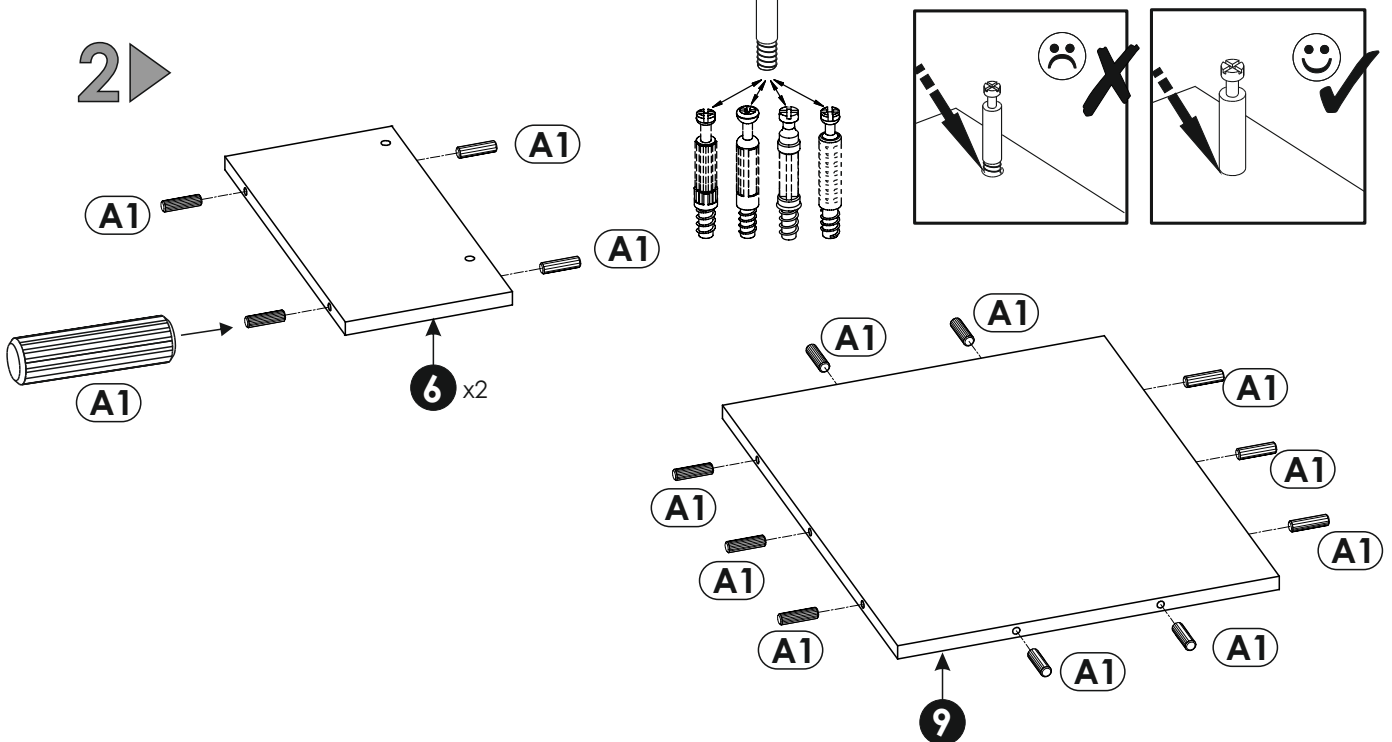
| | | | | | |
|-----------|-----|-----|----|----|-----|
| 6 | 185 | 421 | 16 | x2 | 1/1 |
| 7 | 423 | 422 | 16 | x1 | 1/1 |
| 8 | 452 | 310 | 16 | x1 | 1/1 |
| 9 | 423 | 533 | 16 | x1 | 1/1 |
| 10 | 421 | 215 | 3 | x1 | 1/1 |



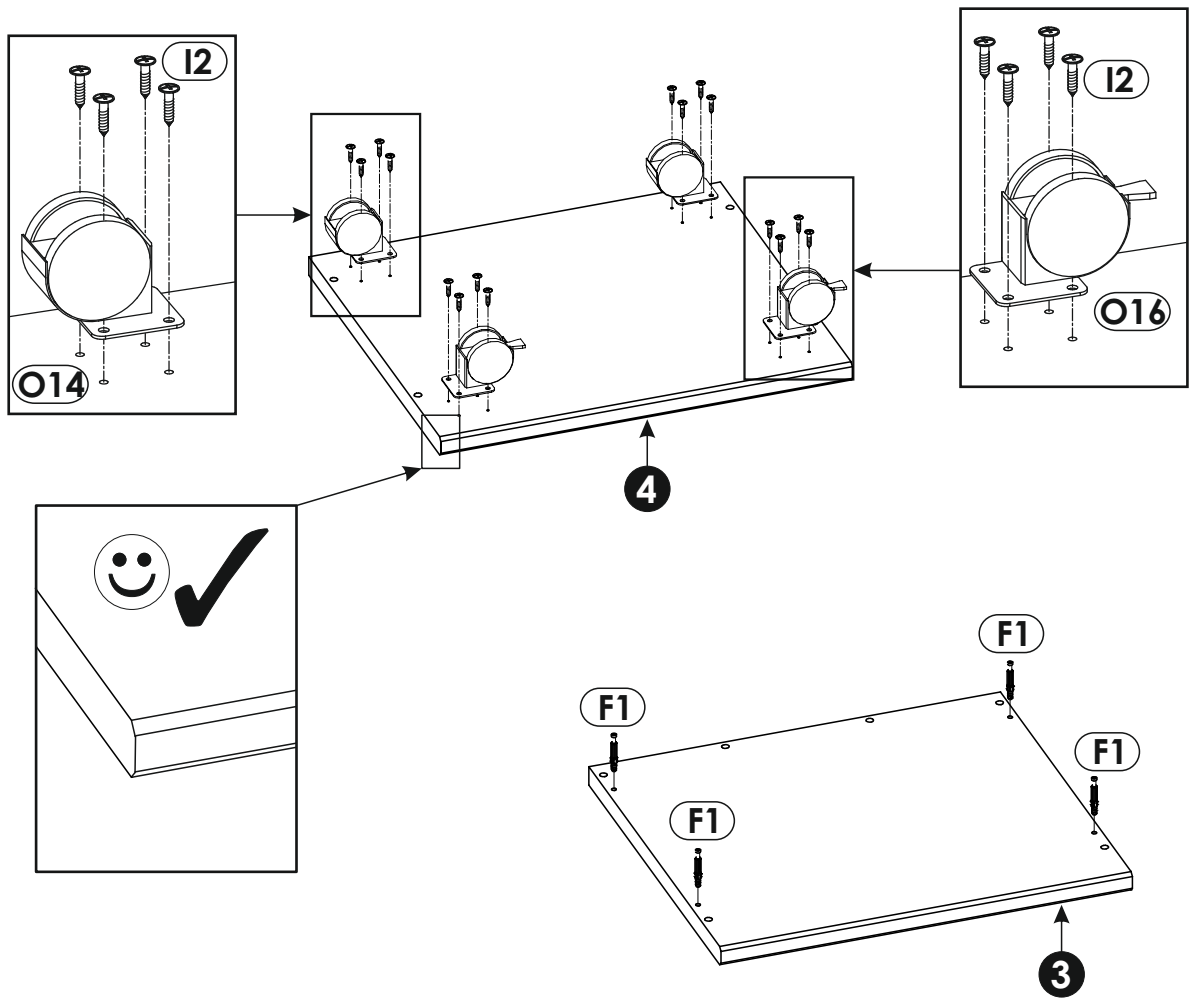
1 ▶



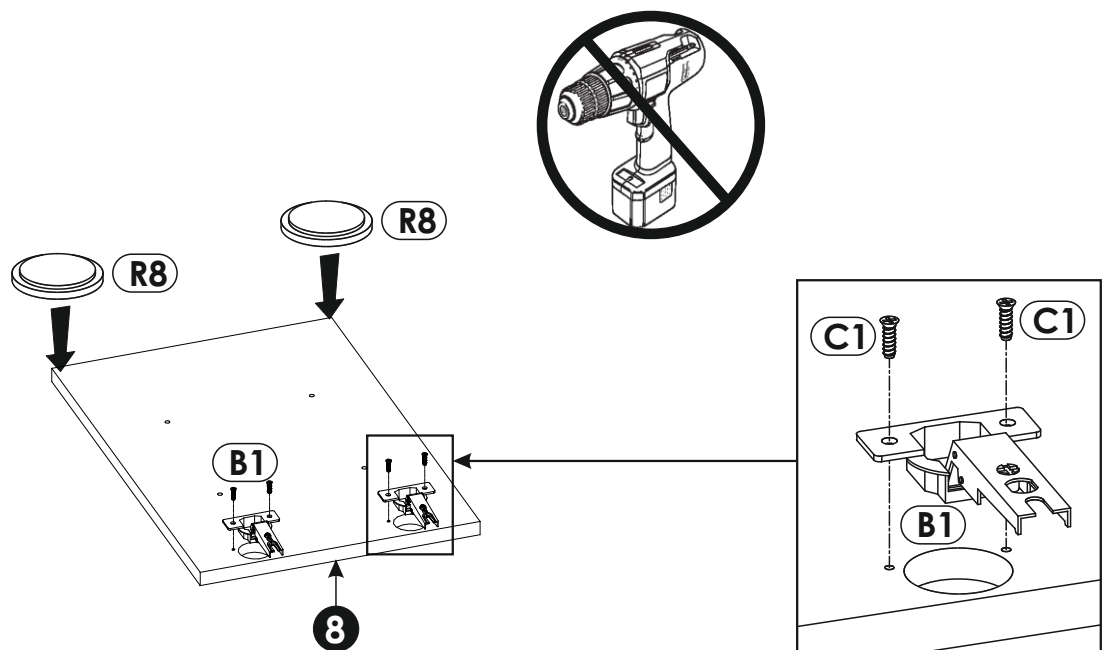
2 ▶



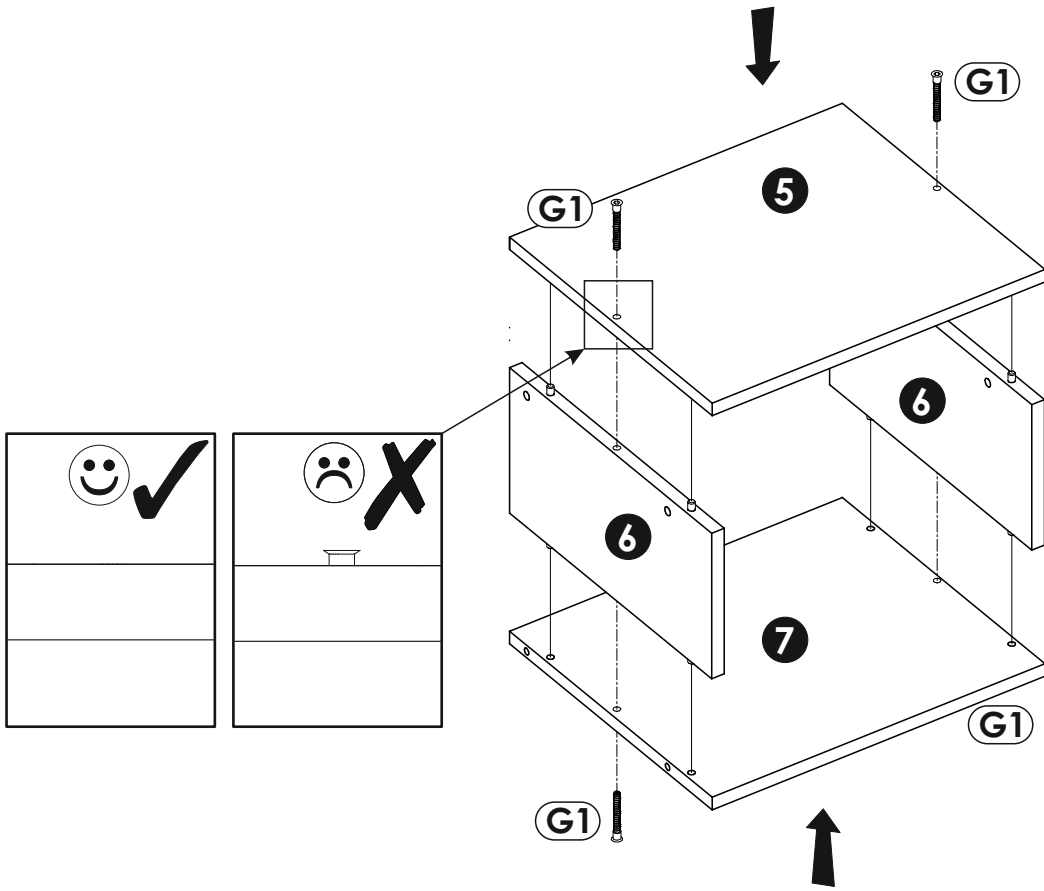
3 ▶



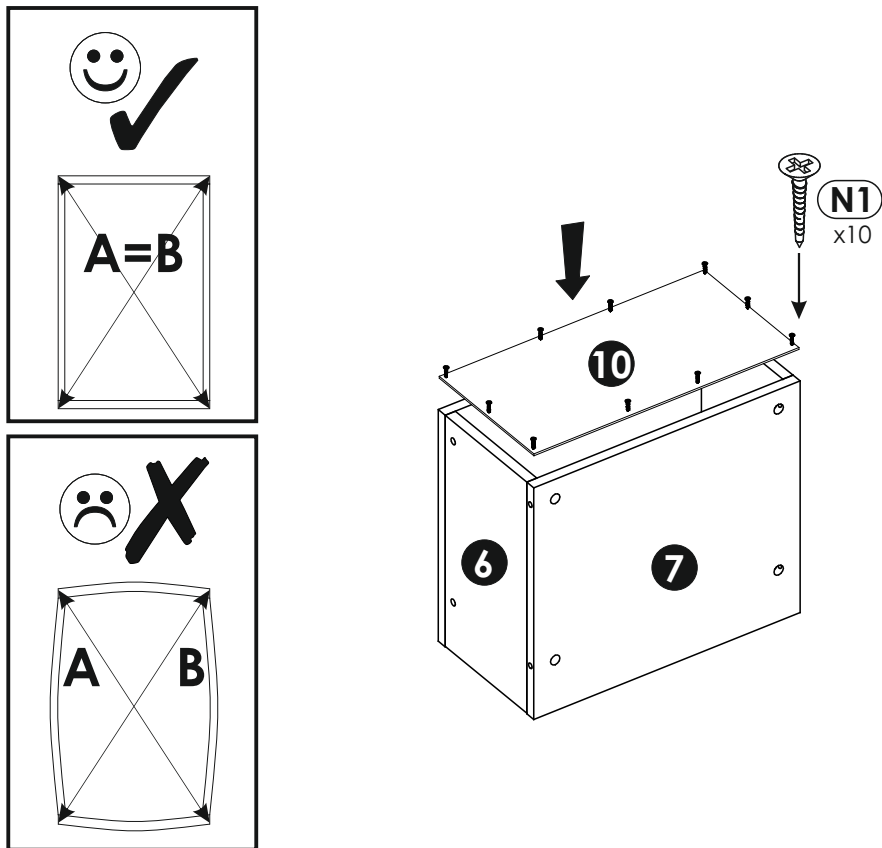
4 ▶



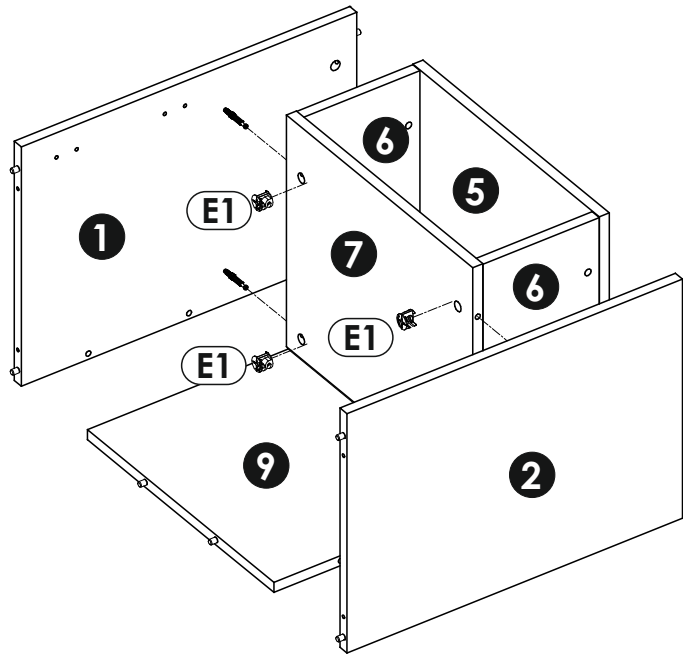
5 ▶



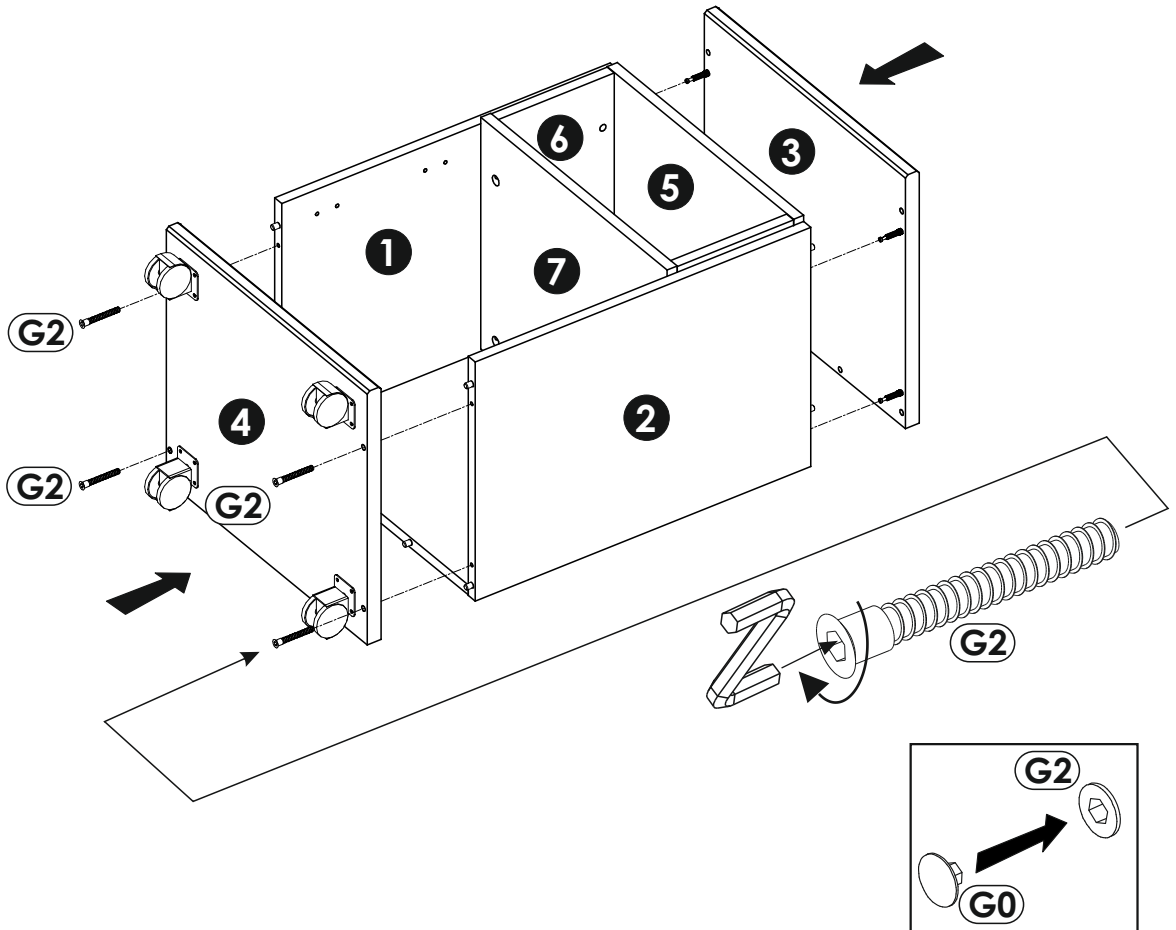
6 ▶

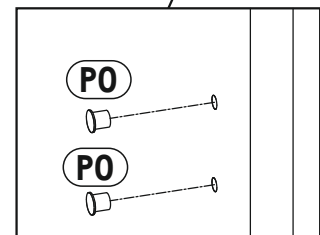
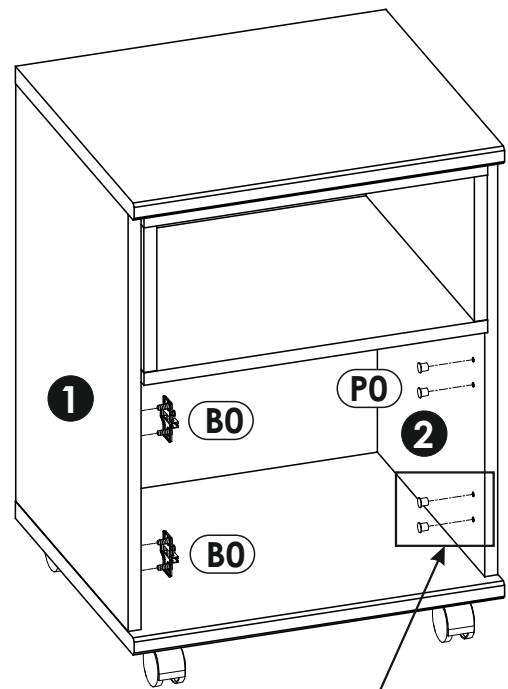
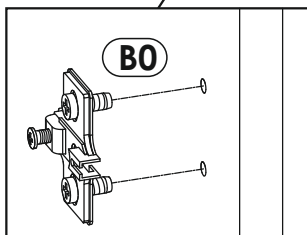
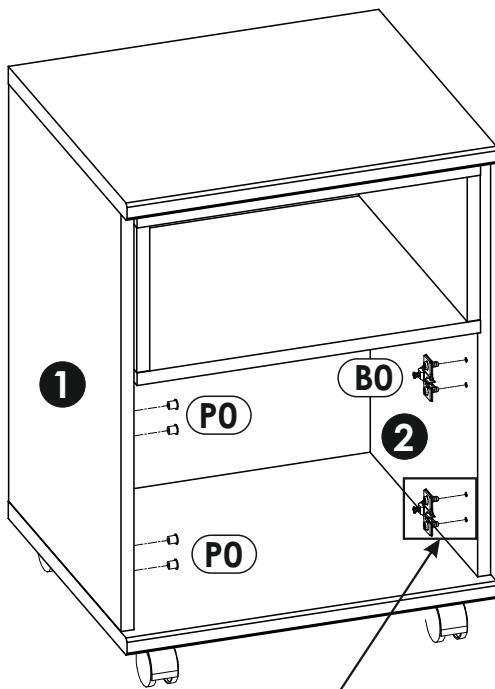
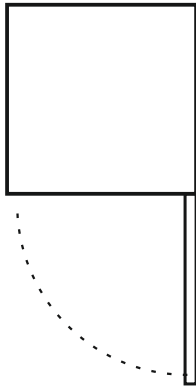


7 ▶



8 ▶





10 ▶

