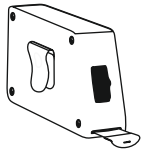
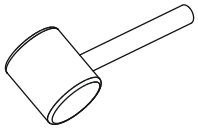
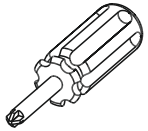
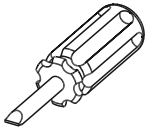
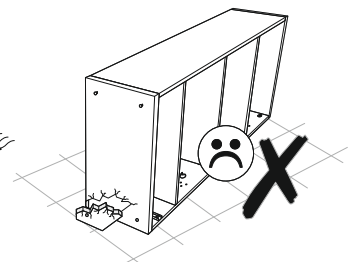
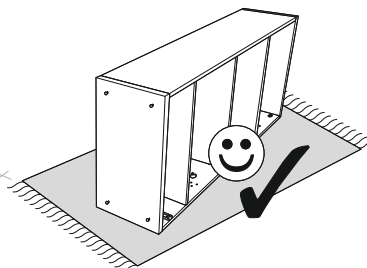
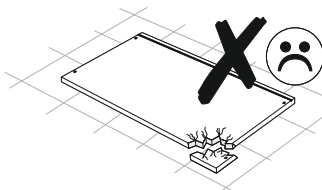
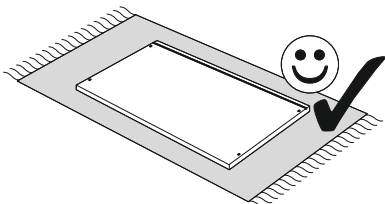
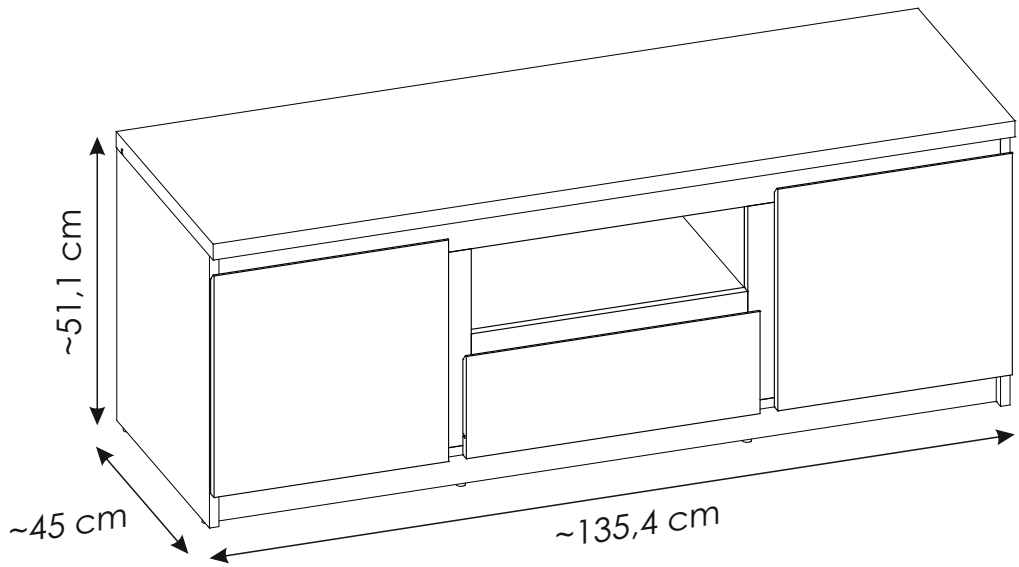


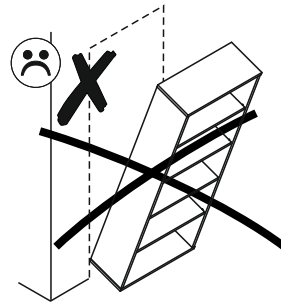
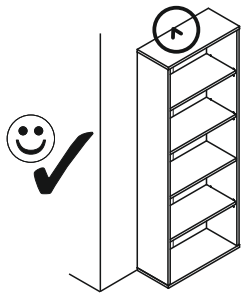


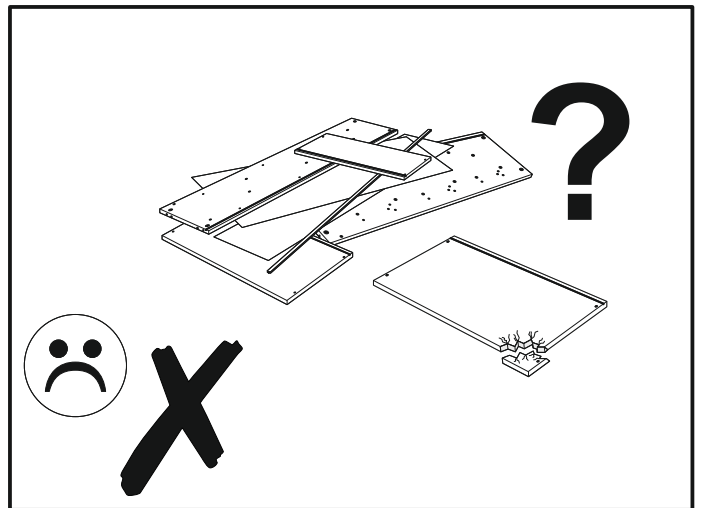
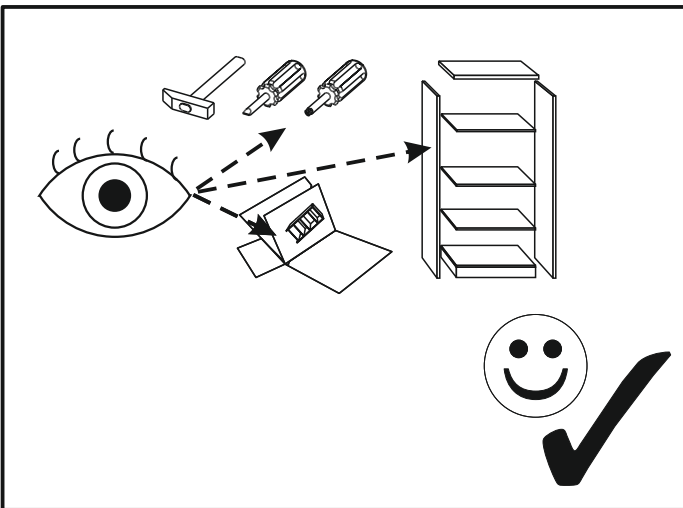
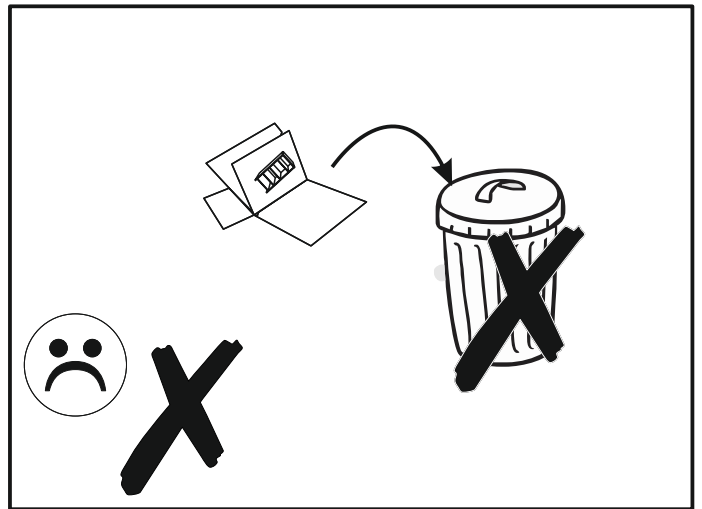
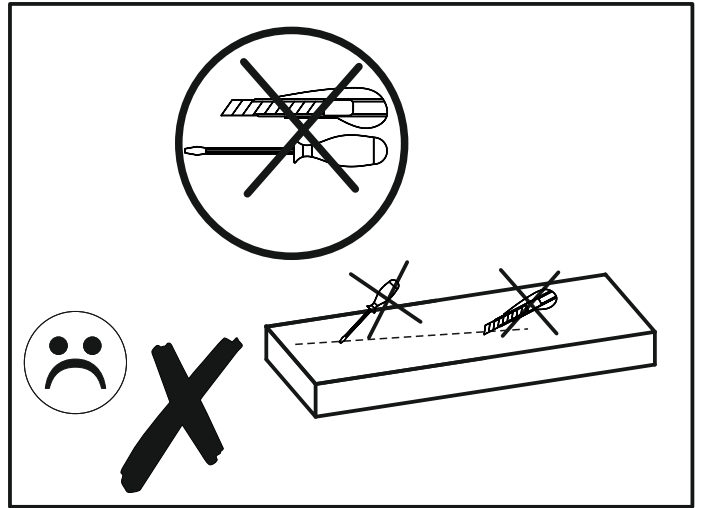
110 min

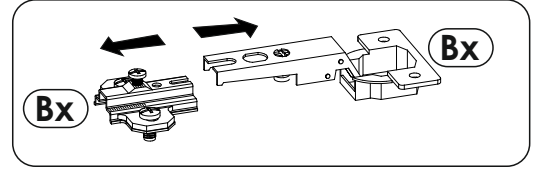
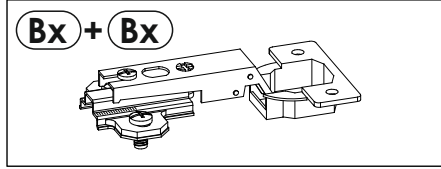
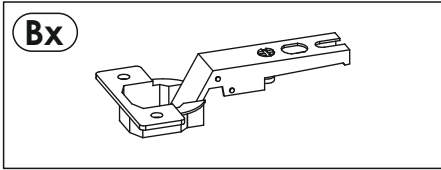
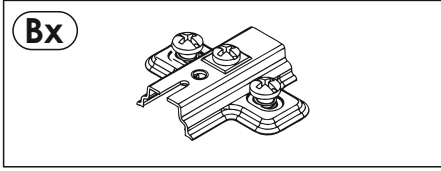




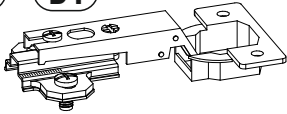




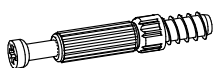
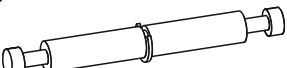

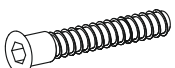
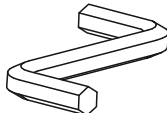
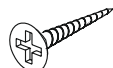
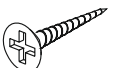
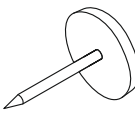
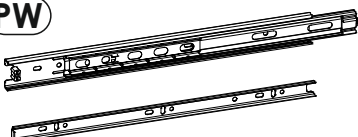
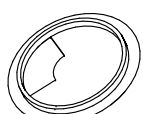
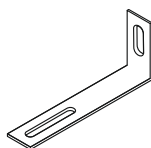
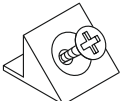
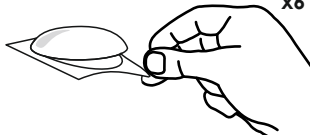
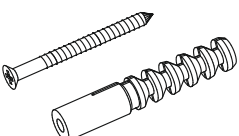
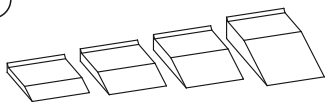
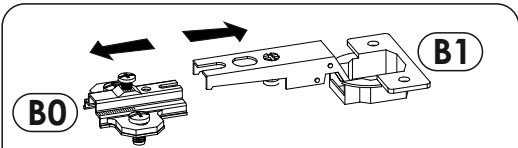
Ø8

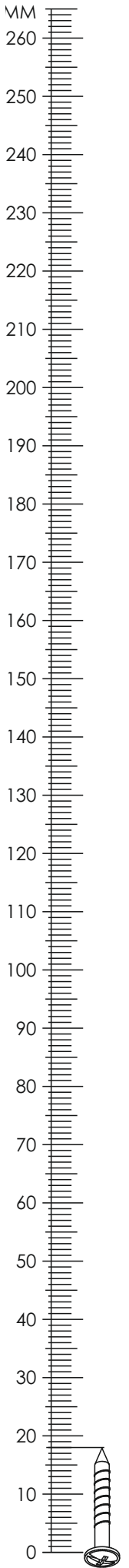


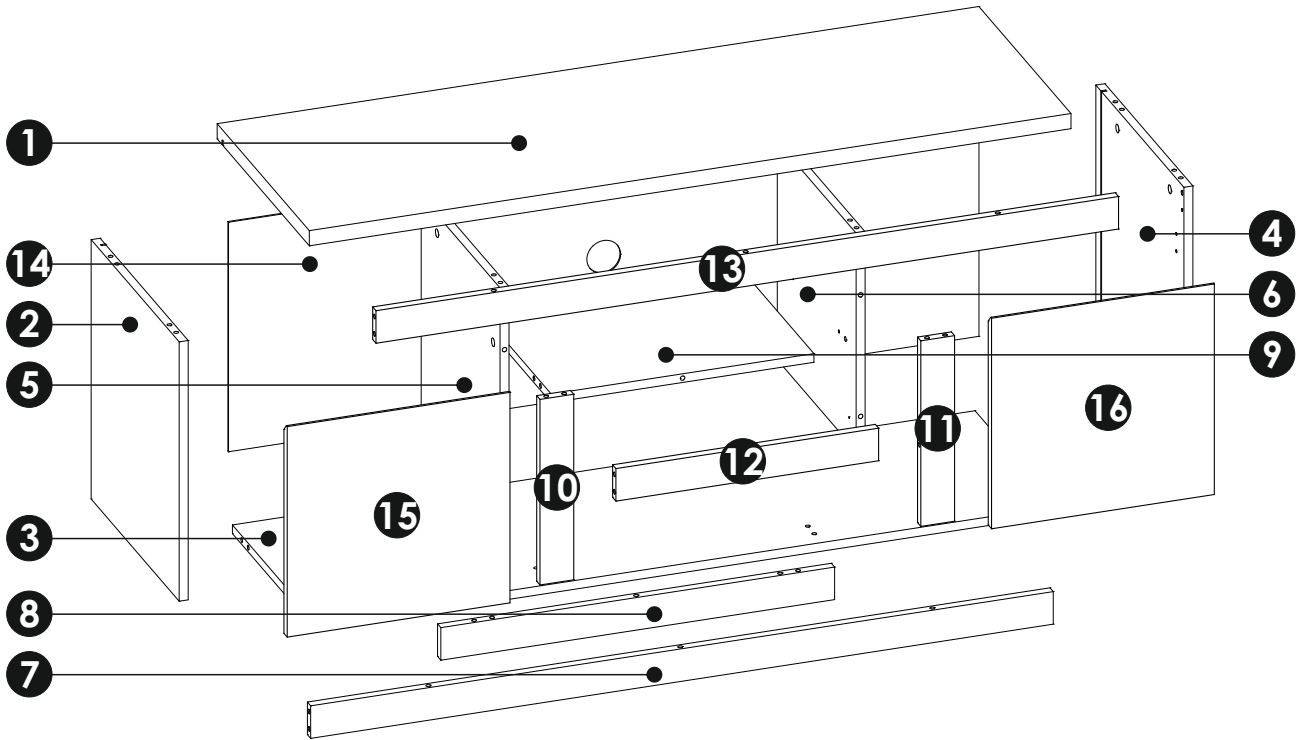
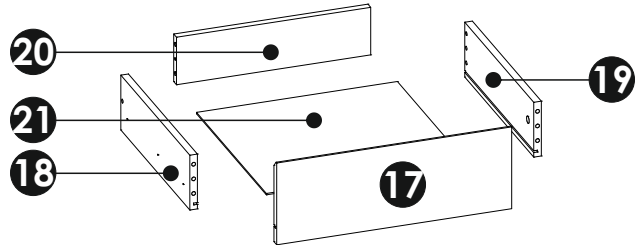
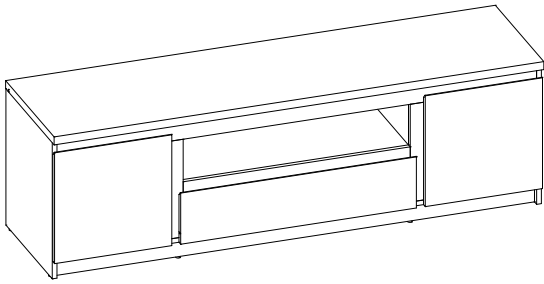






A1 8 x 35 mm x36 	A2 8 x 45 mm x4 	B0 + B1 x4 
C1 4 x 13 mm x8 	C2 5 x 13 mm x4 	E0 Ø16 x14 
E1 15 x 12 mm x42 	F1 6 x 34 mm x34 	F3 7 x 58 mm x4 
I2 4 x 16 mm x2 	G1 7 x 50 mm x6 	M x1 
N1 3 X 16 mm x15 	N2 3,5 X 16 mm x6 	O2 x9 
PW x2 	P24 x1 	Q9 x2 
R4 x6 	R8 x6 	S13 x2 
Z x1 		

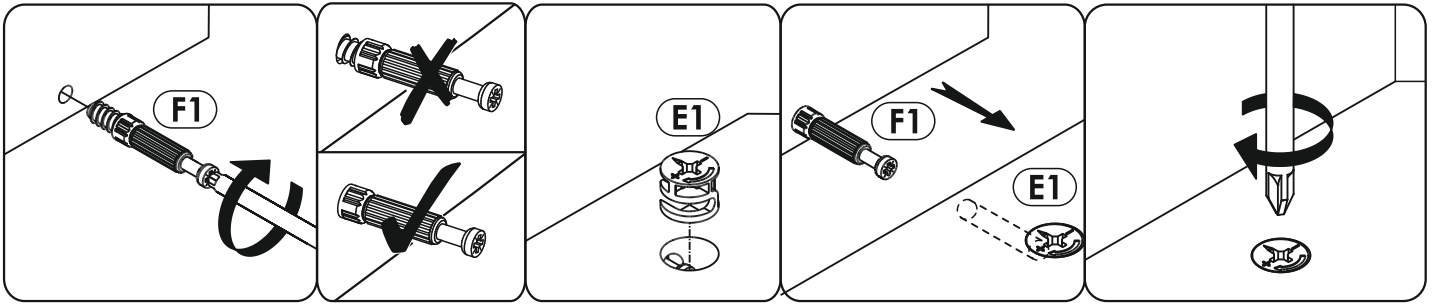




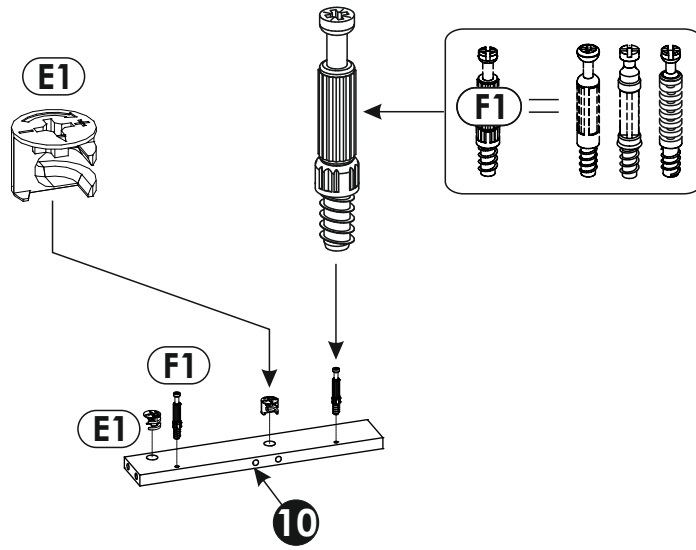
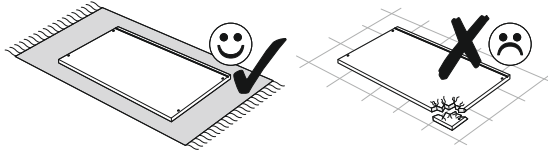
1	1354	450	28	x1	2/2
2	478	430	16	x1	1/2
3	1320	402	16	x1	2/2
4	478	430	16	x1	1/2
5	402	385	16	x1	1/2
6	402	385	16	x1	1/2
7	1320	60	16	x1	2/2

8	700	60	16	x1	2/2
9	467	385	16	x1	1/2
10	342	60	16	x1	2/2
11	342	60	16	x1	2/2
12	467	60	16	x1	2/2
13	1320	60	16	x1	2/2
14	423	1334	3	x1	2/2

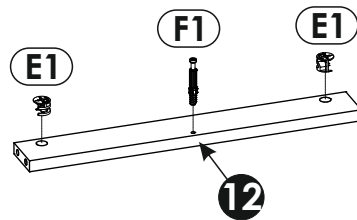
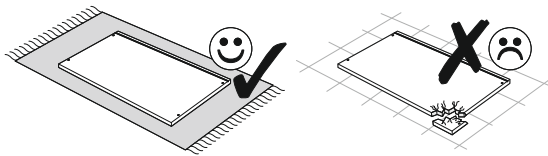
15	388	396	16	x1	1/2
16	388	396	16	x1	1/2
17	496	179	16	x1	2/2
18	400	120	16	x1	1/2
19	400	120	16	x1	1/2
20	410	104	16	x1	1/2
21	424	405	3	x1	1/2

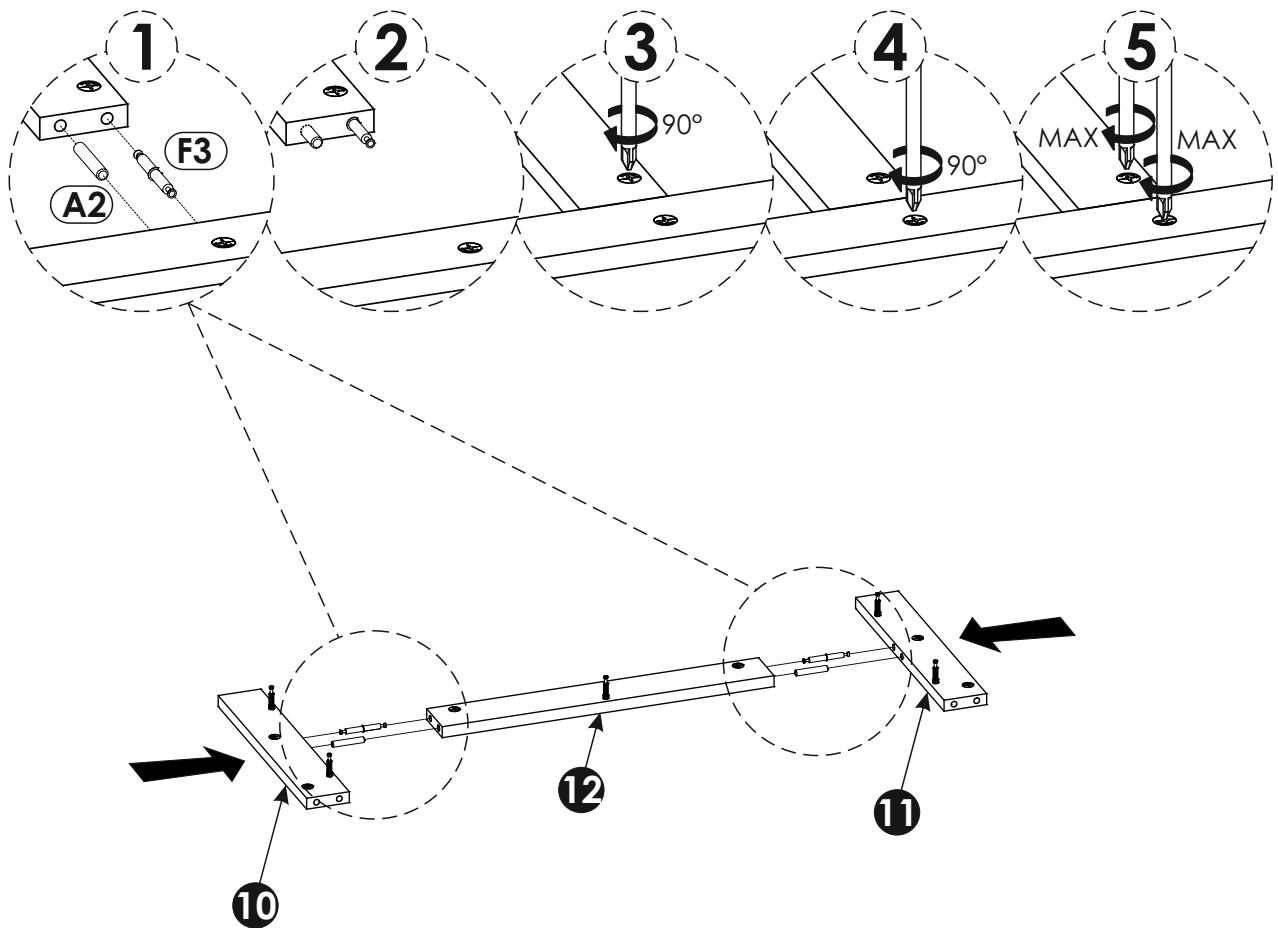
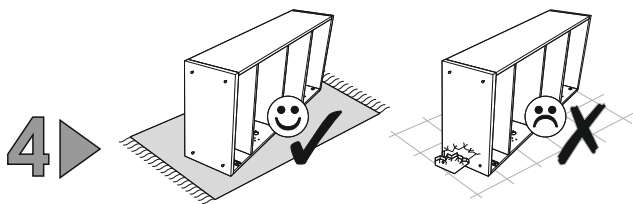
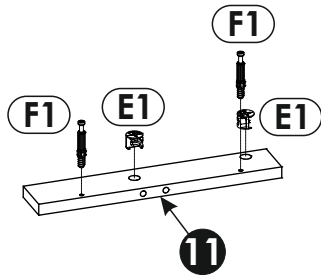
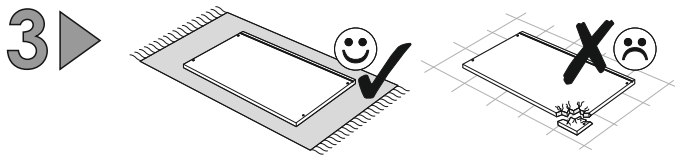


1 ▶

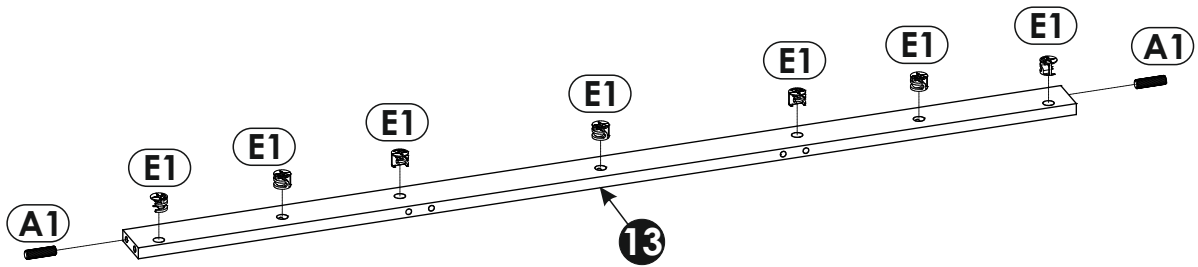
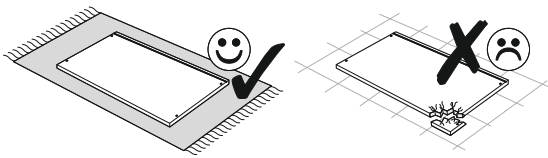


2 ▶

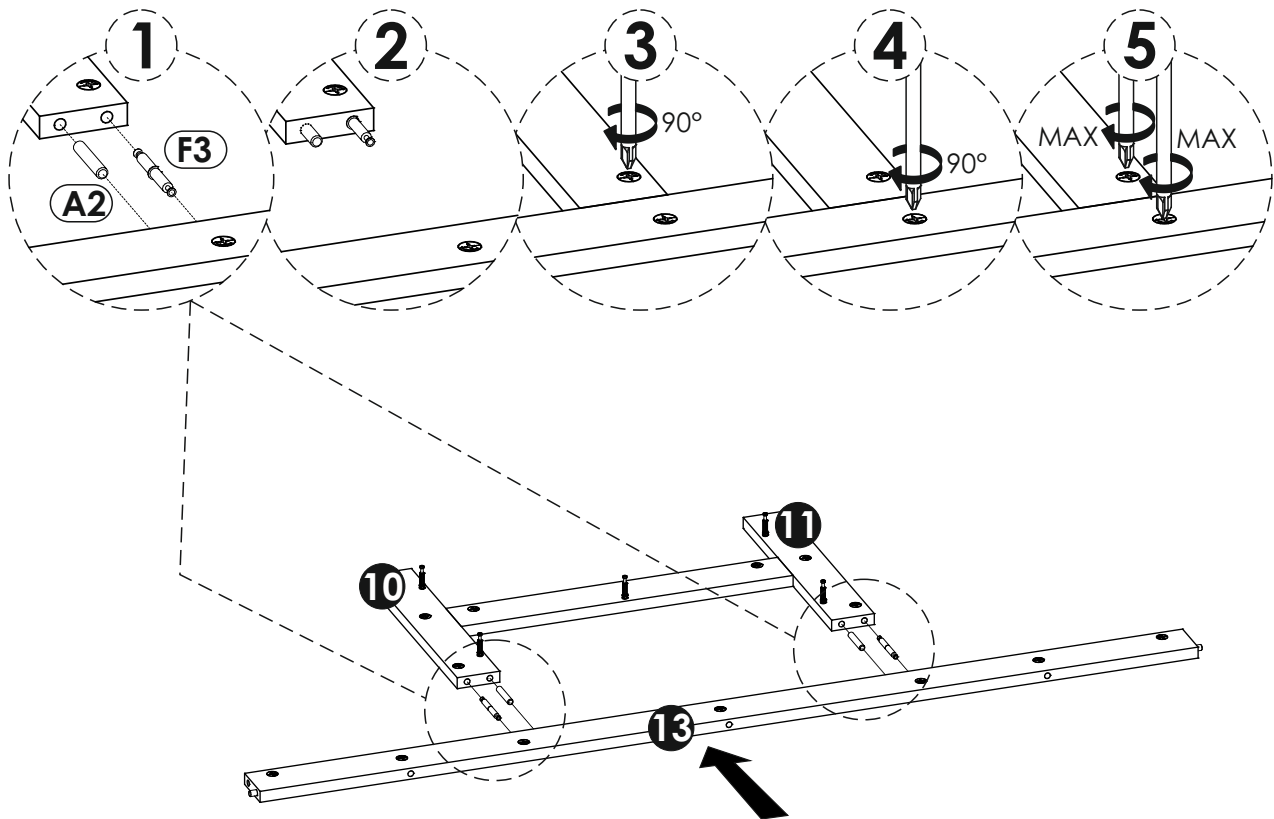
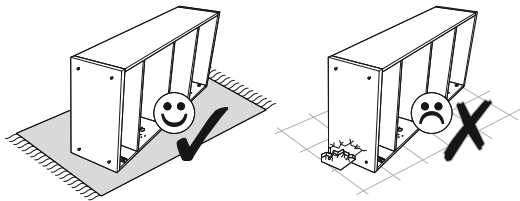


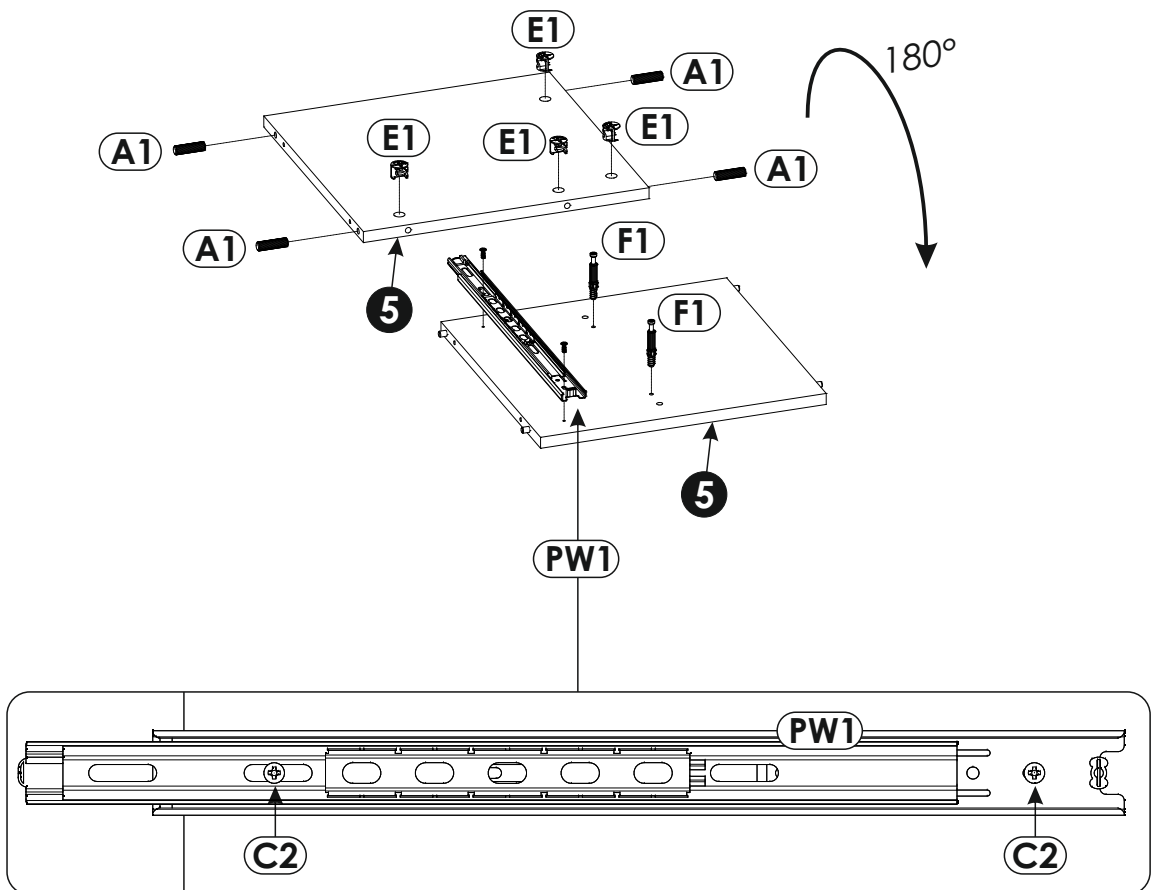
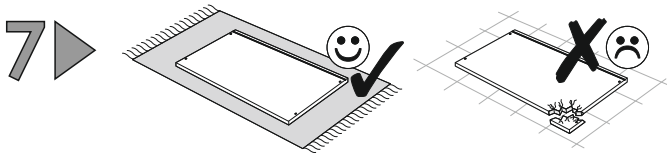
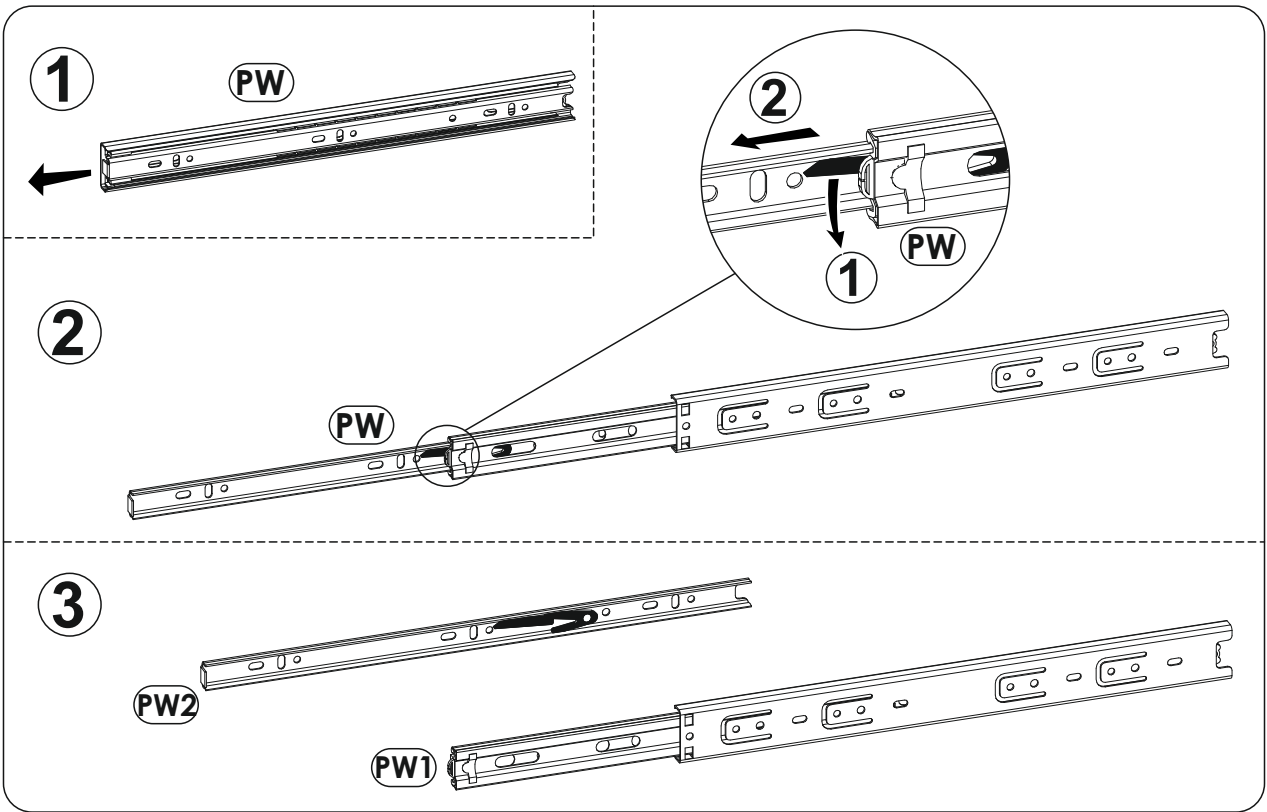


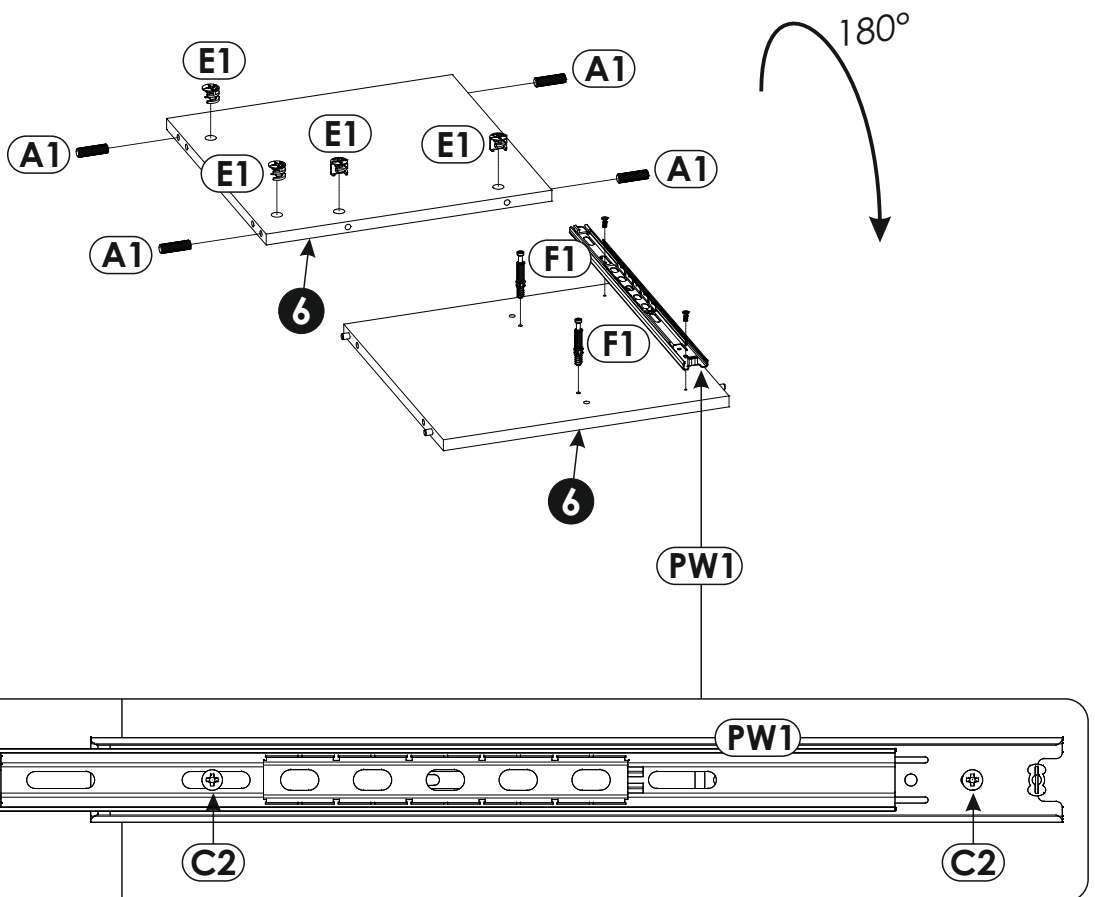
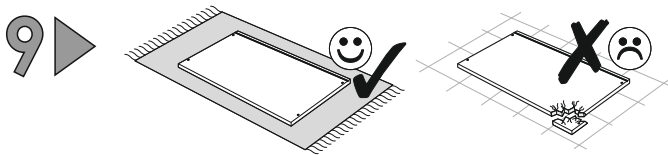
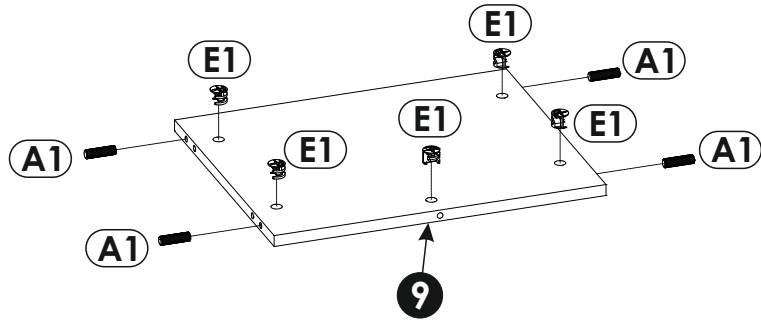
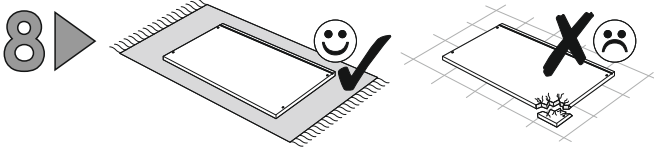
5 ▶



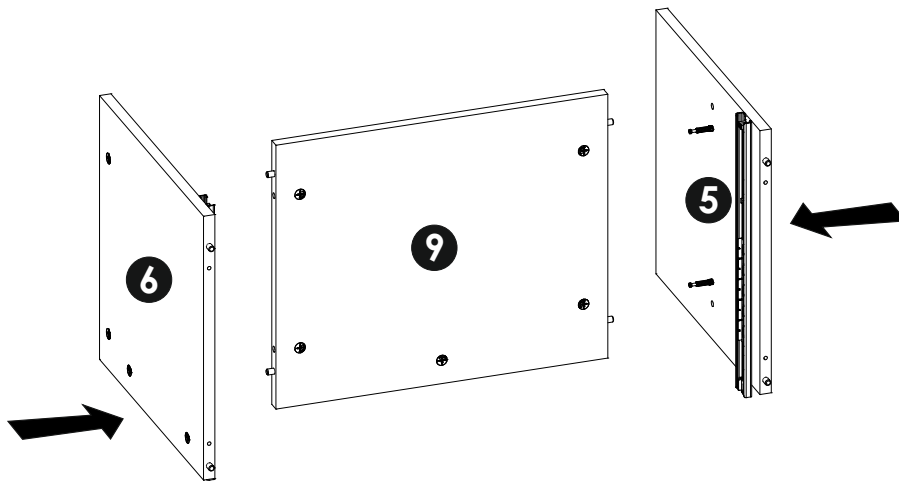
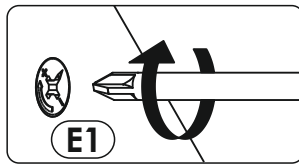
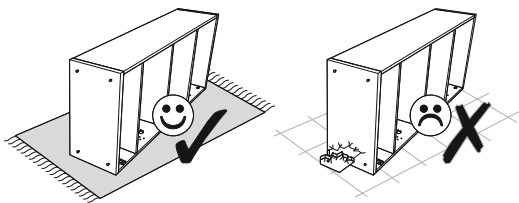
6 ▶



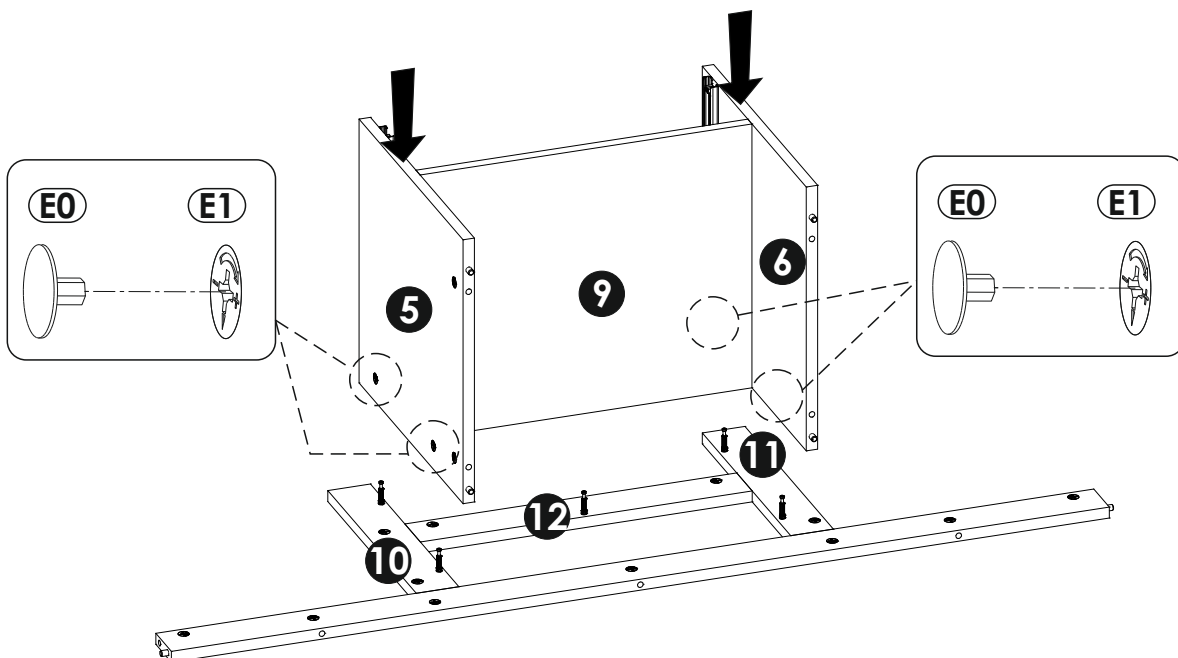
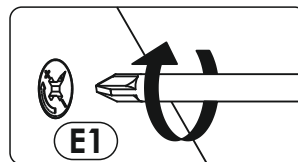
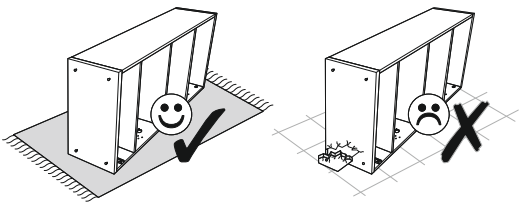




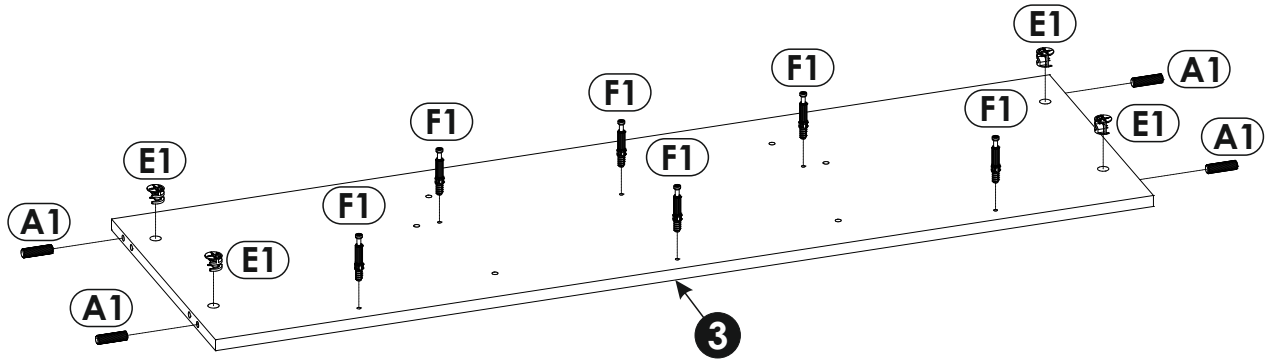
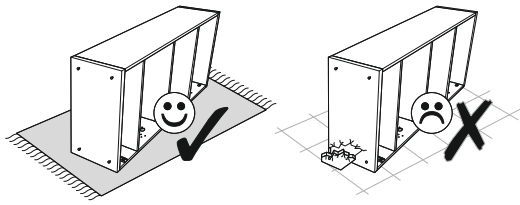
10 ▶▶



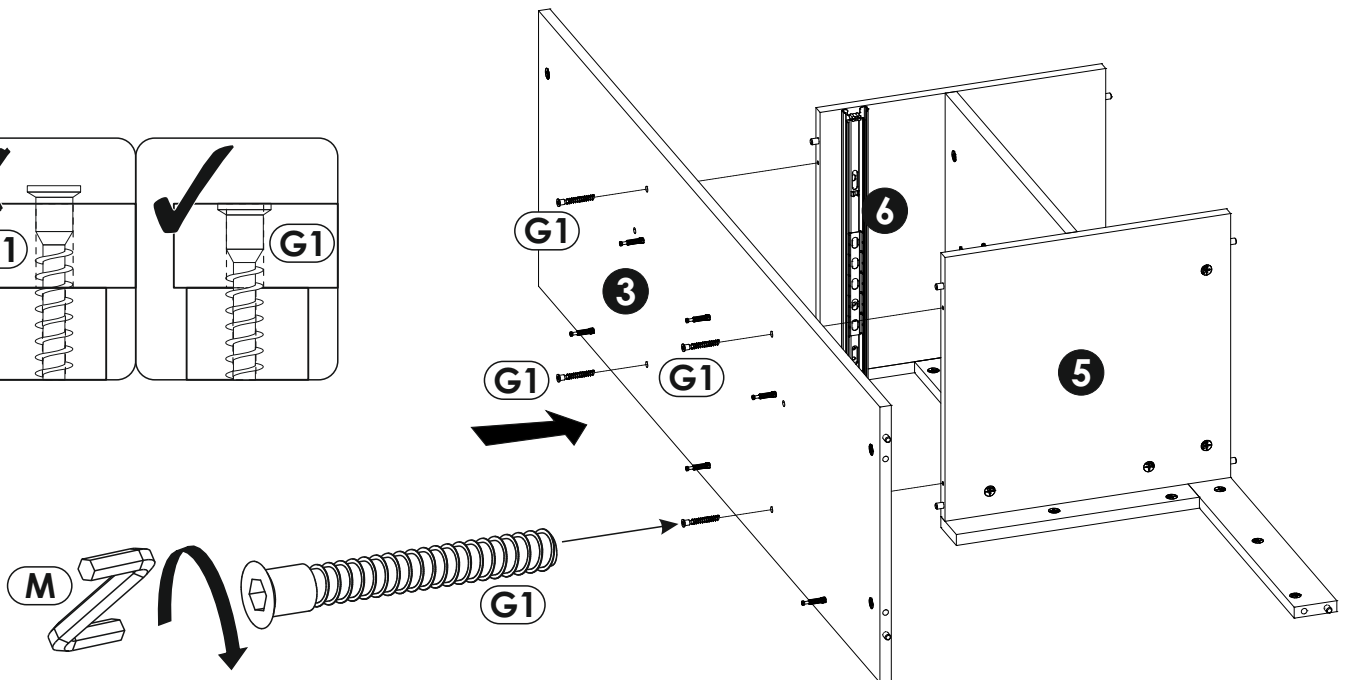
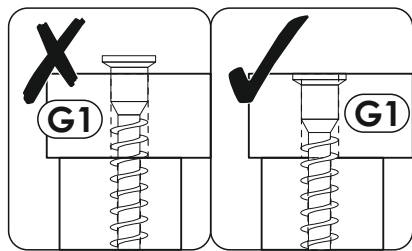
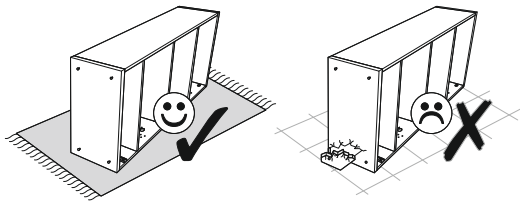
11 ▶▶



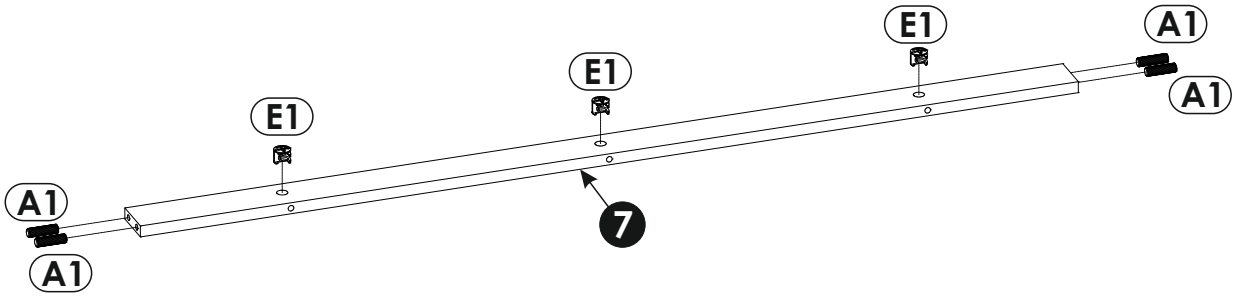
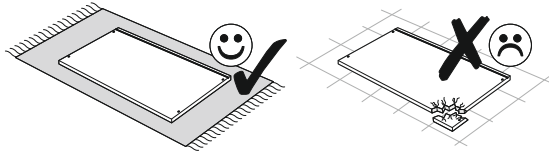
12 ▶



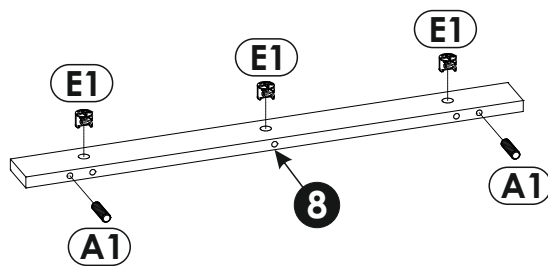
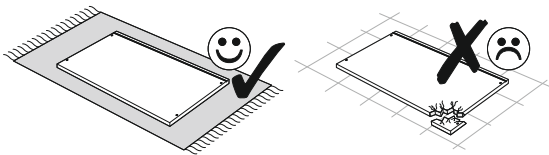
13 ▶



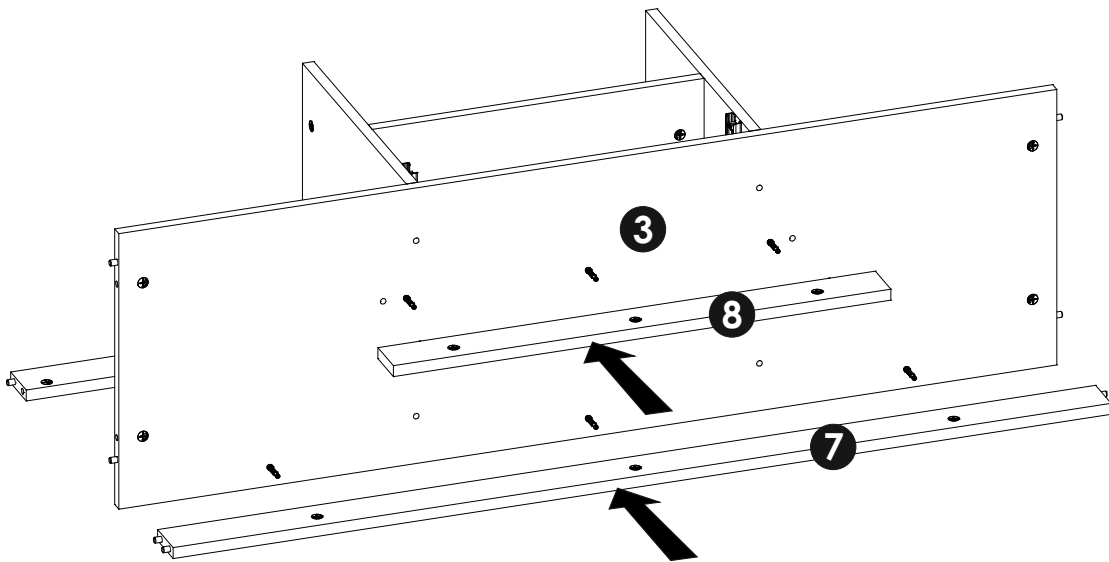
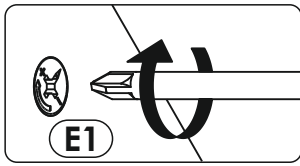
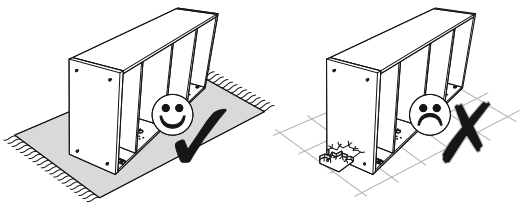
14▶



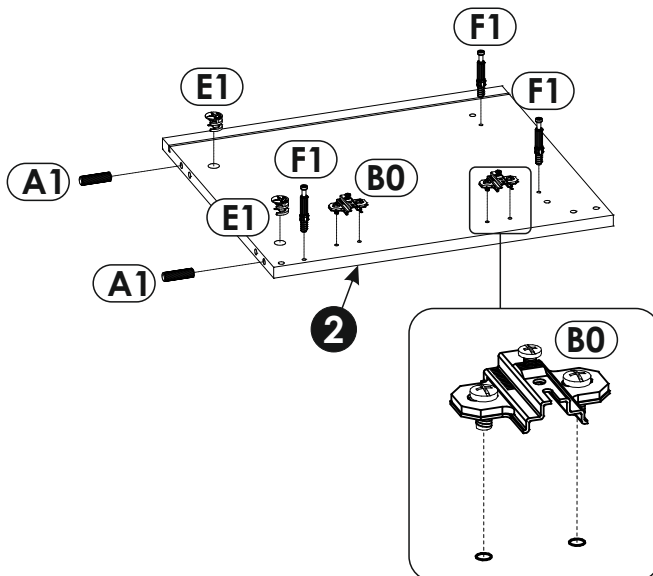
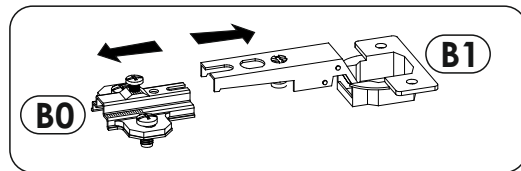
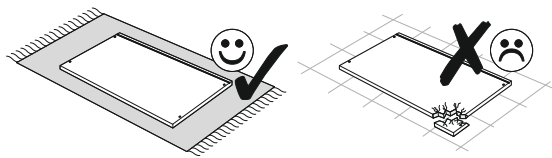
15▶



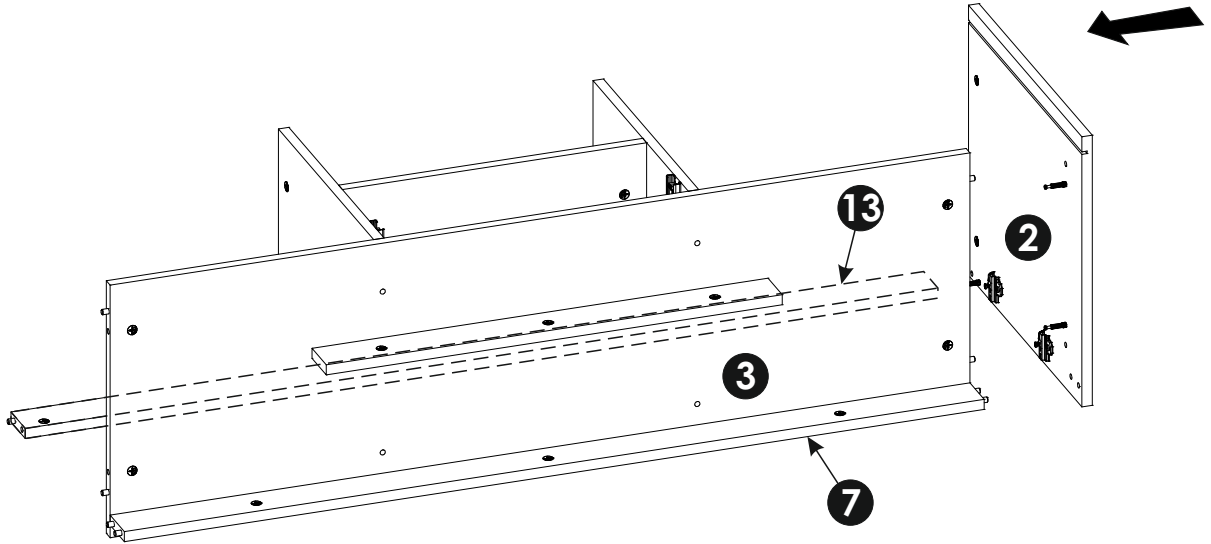
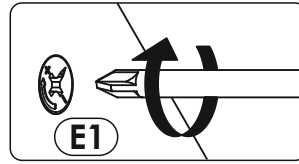
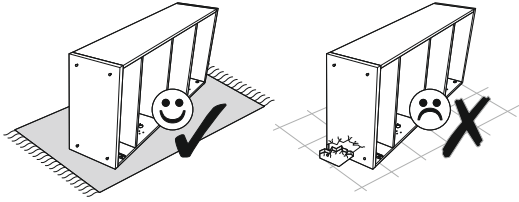
16 ▶



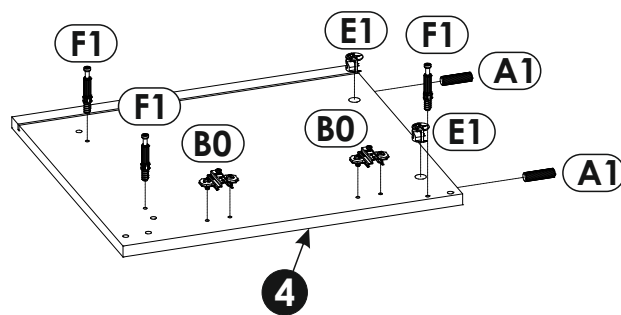
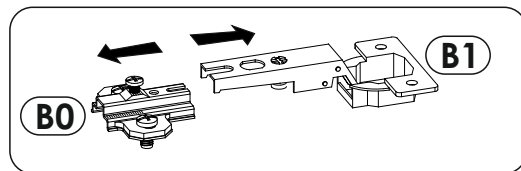
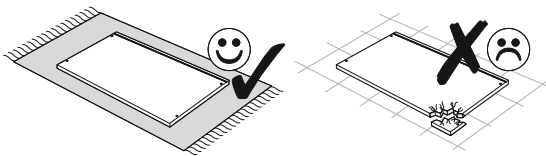
17 ▶



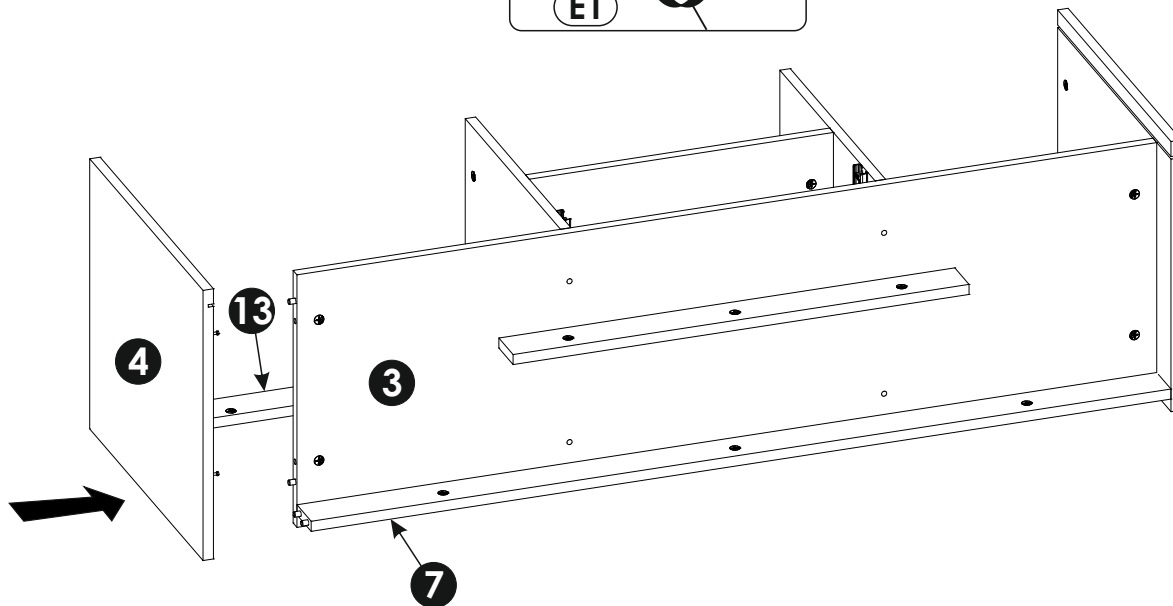
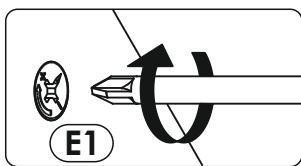
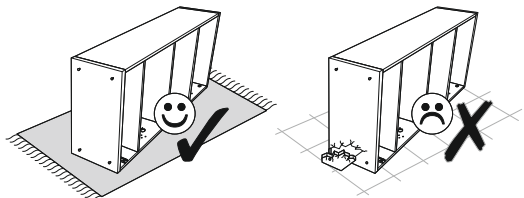
18▶



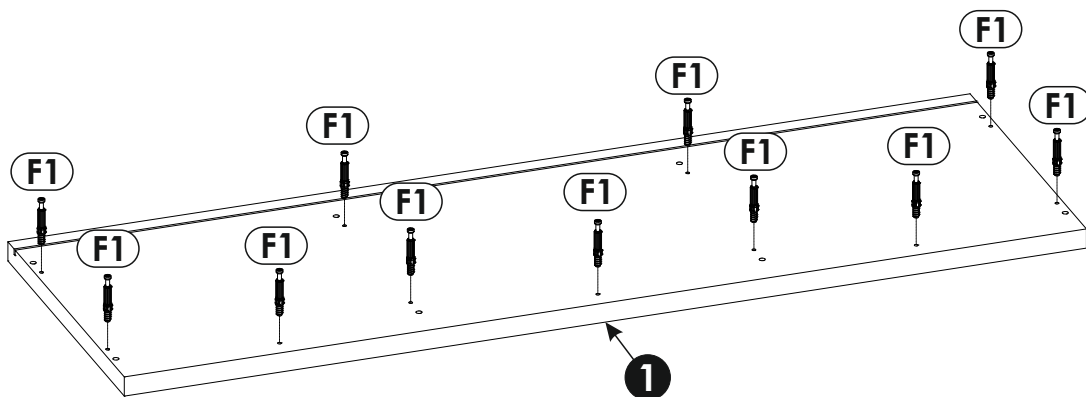
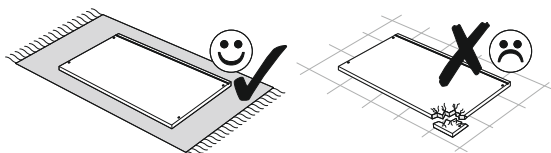
19▶



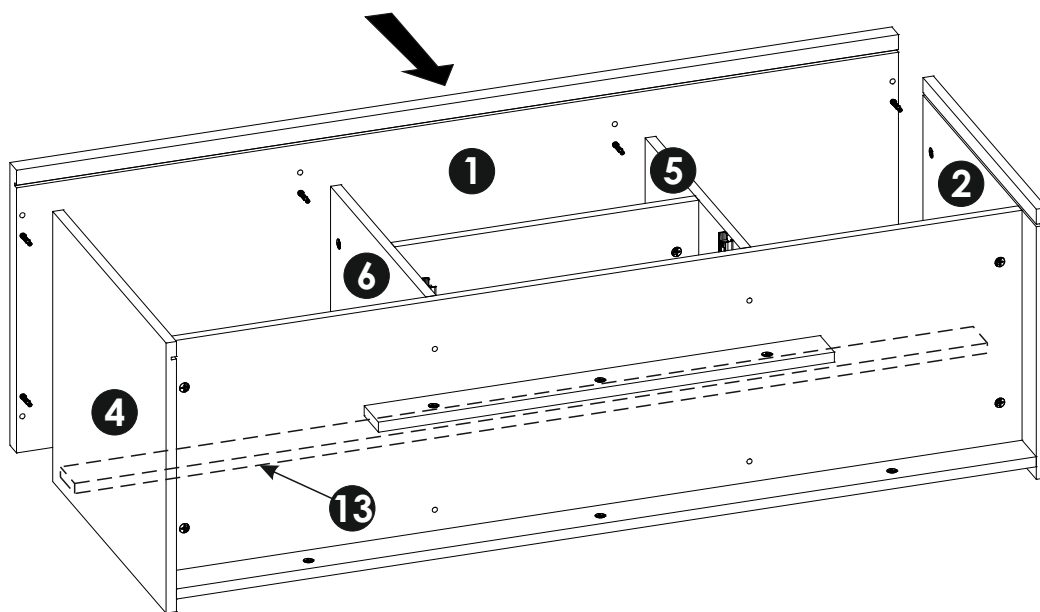
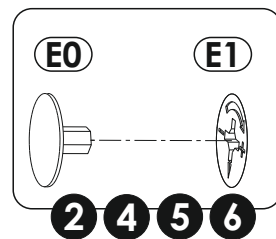
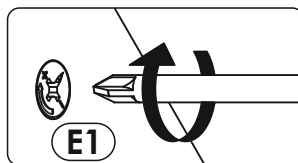
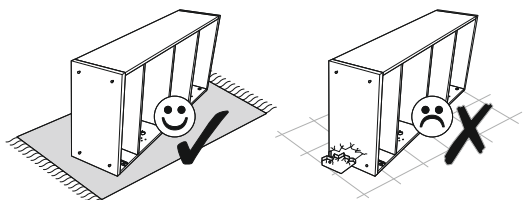
20 ▶



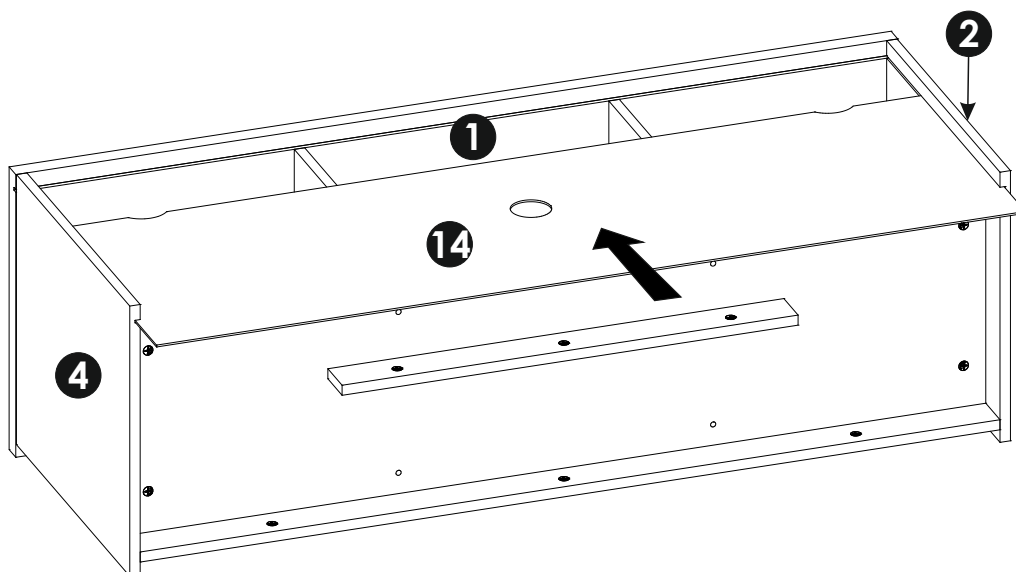
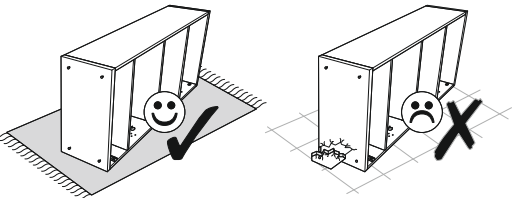
21 ▶



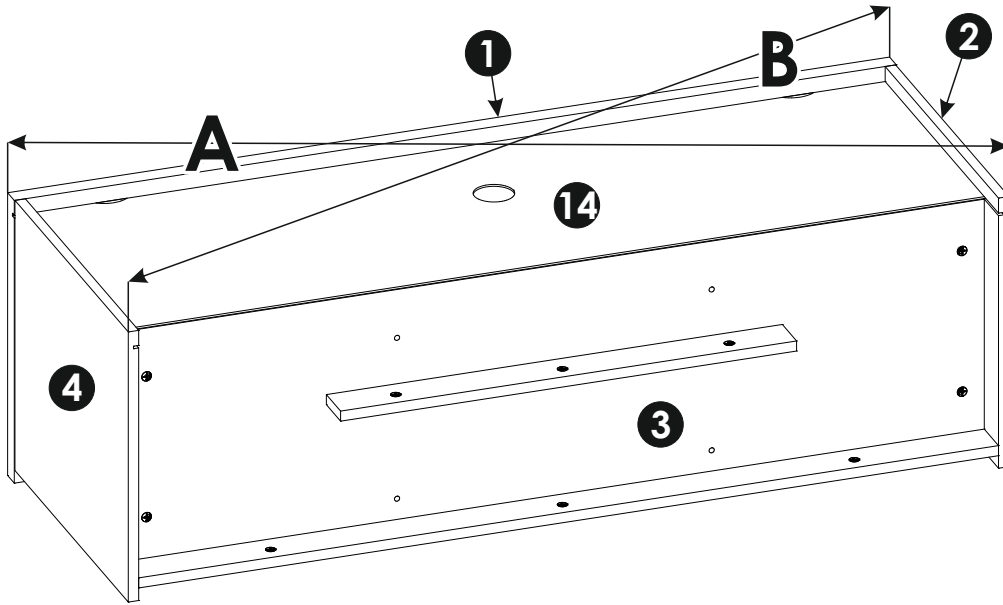
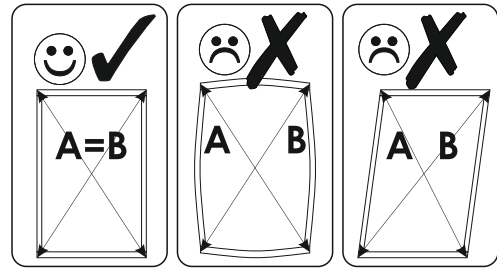
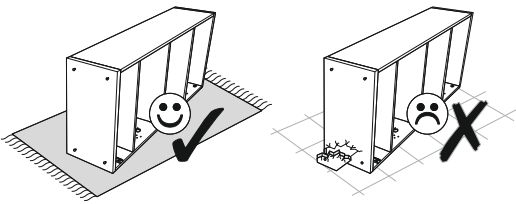
22 ▶



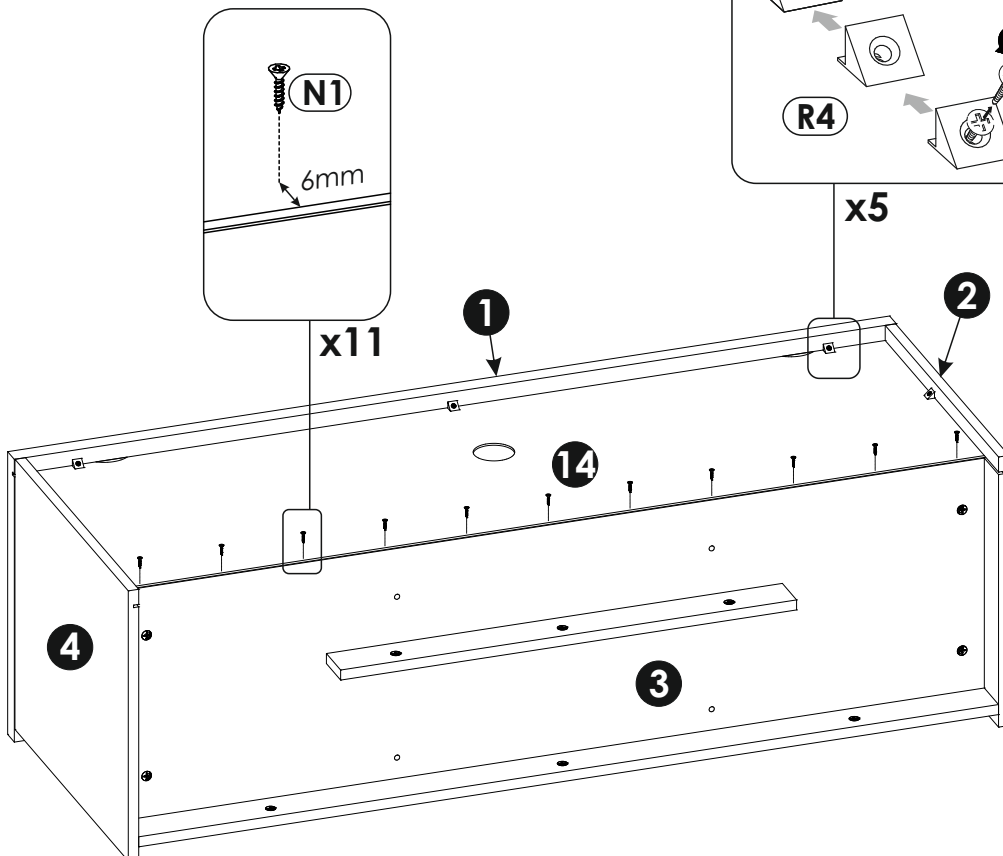
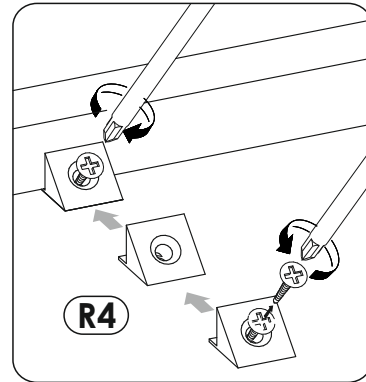
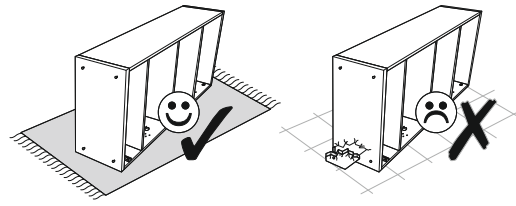
23 ▶



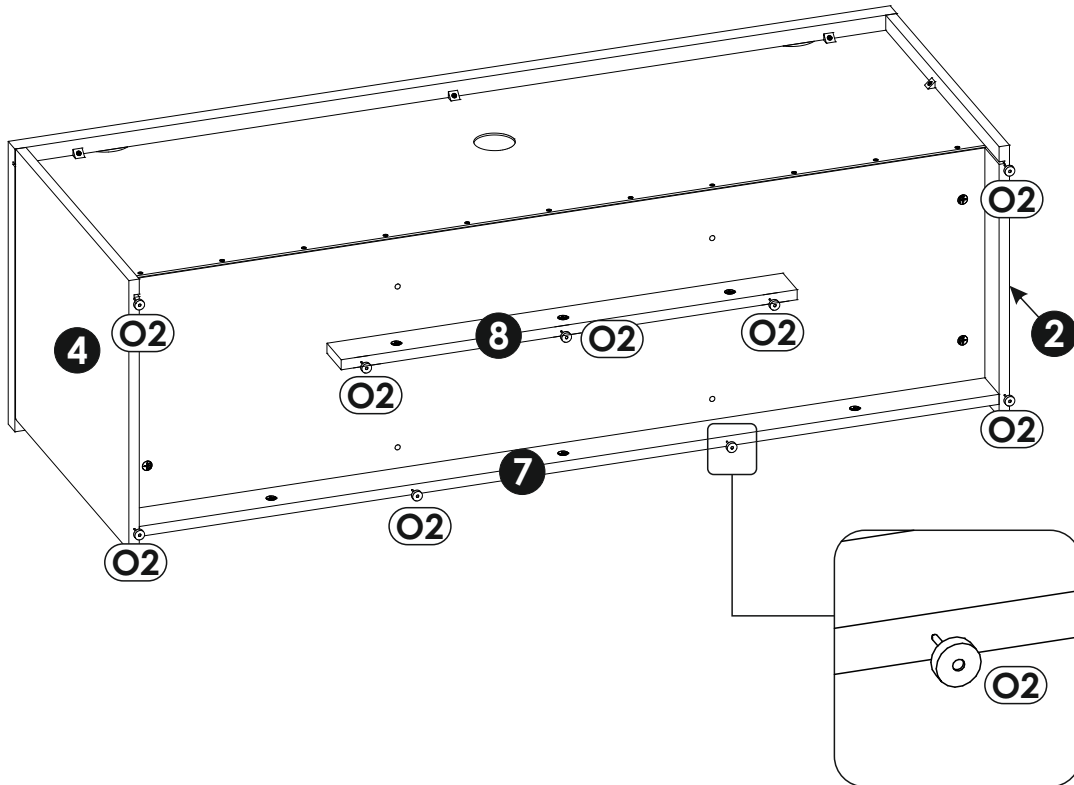
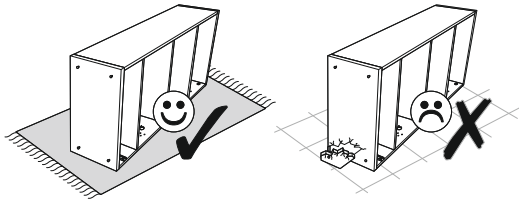
24 ▶

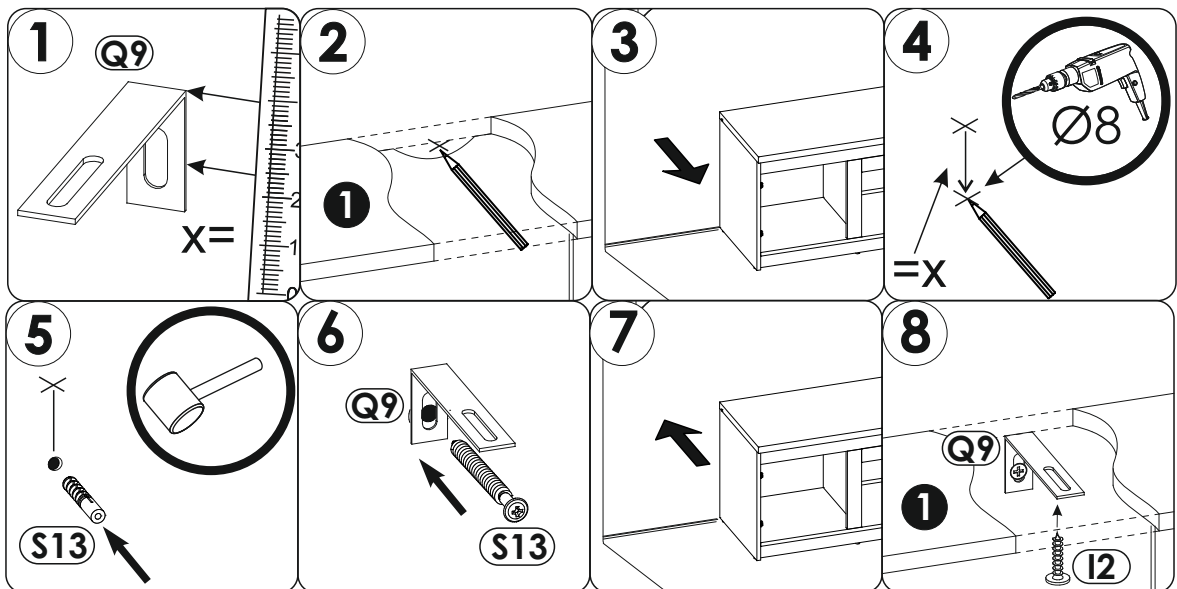
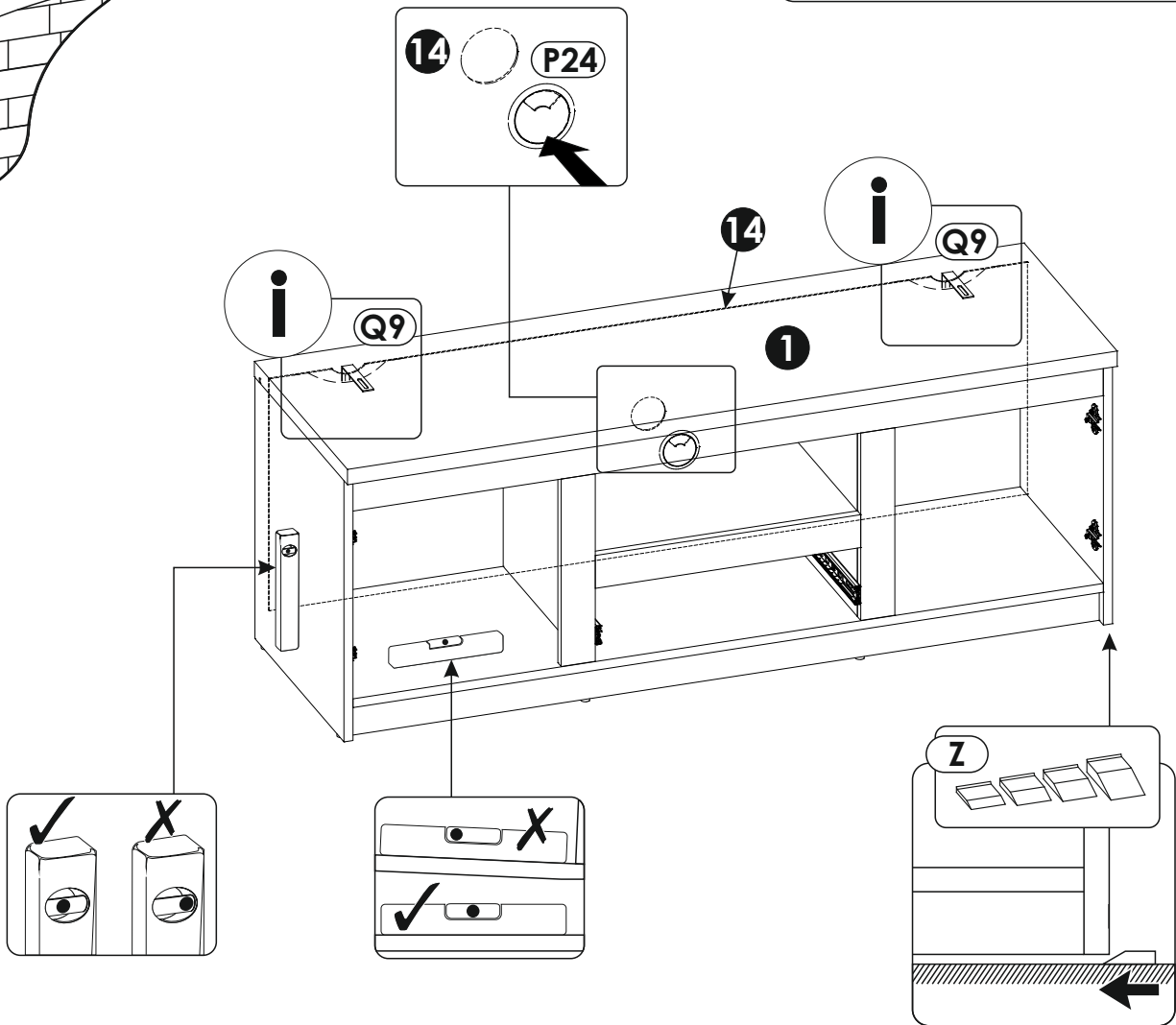
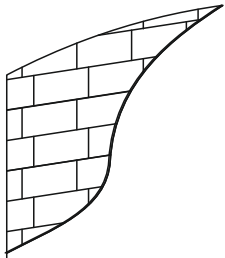
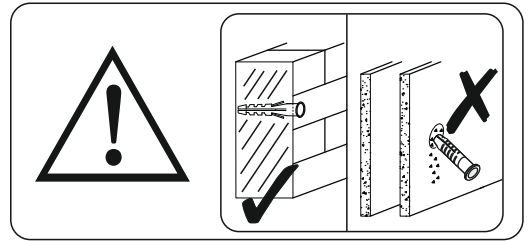


25 ▶

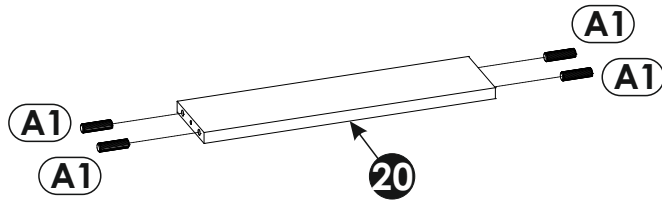
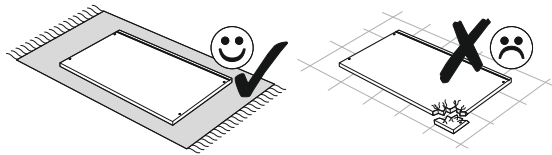


26 ▶

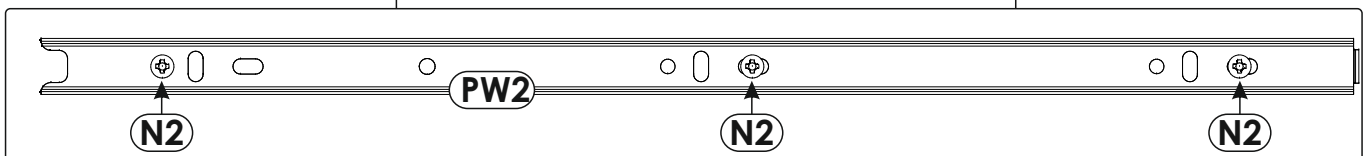
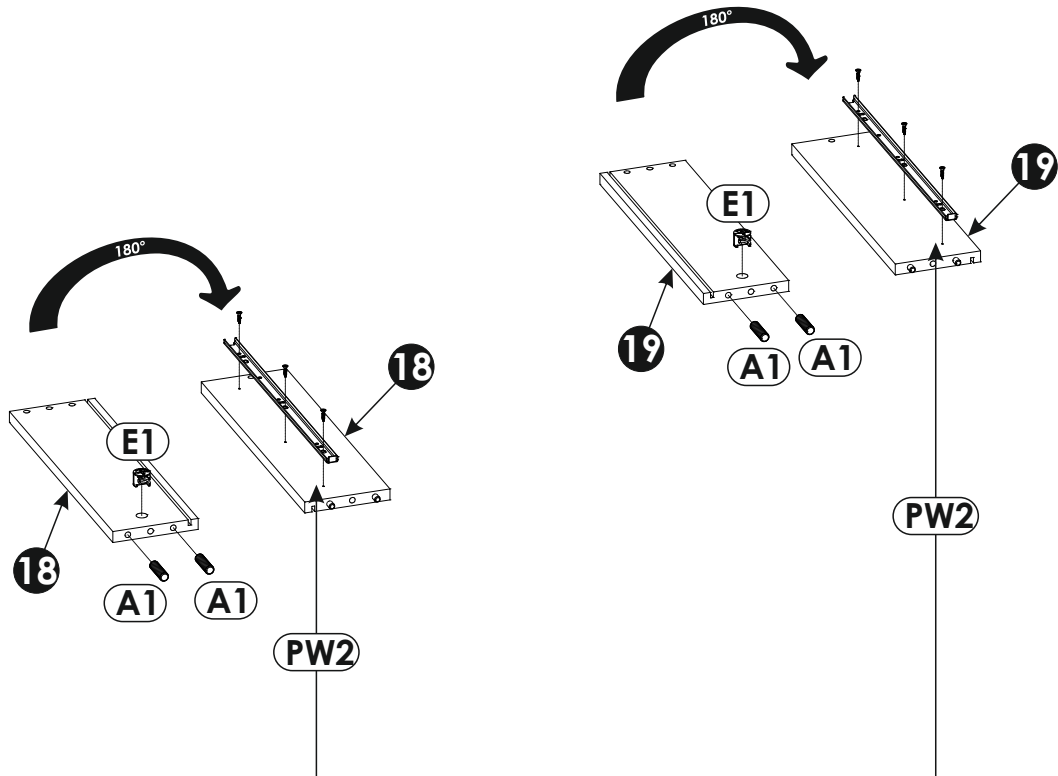
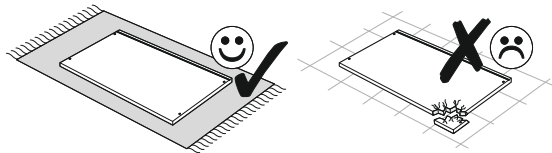




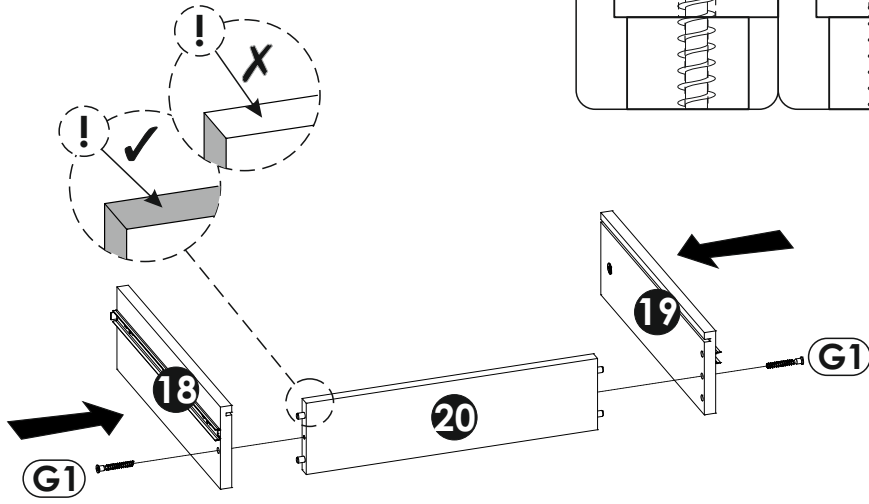
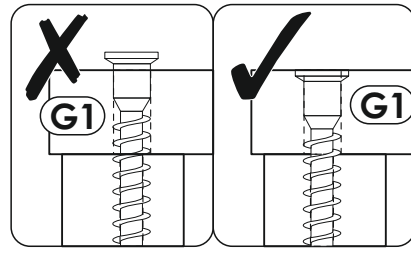
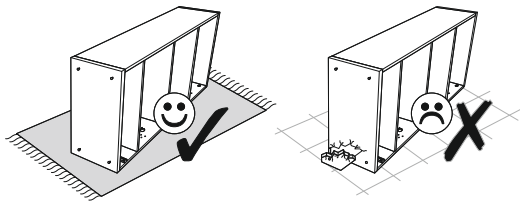
28 ▶



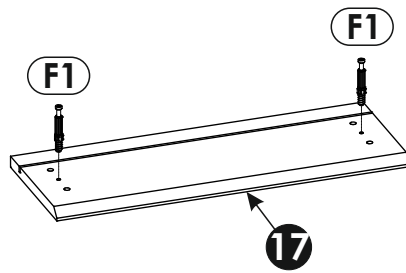
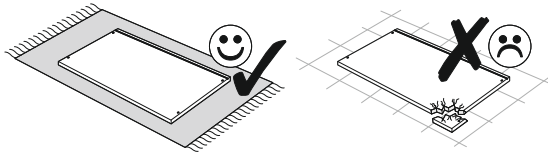
29 ▶



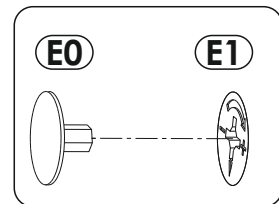
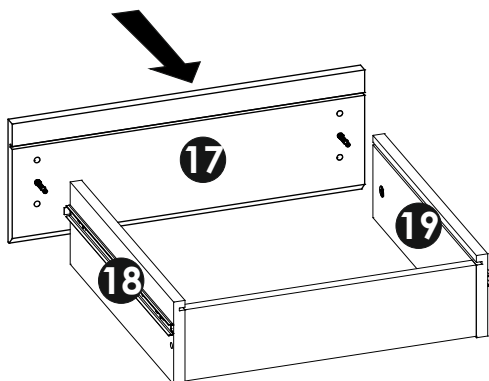
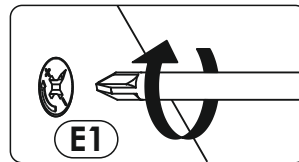
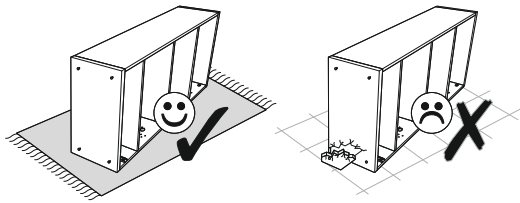
30 ▶



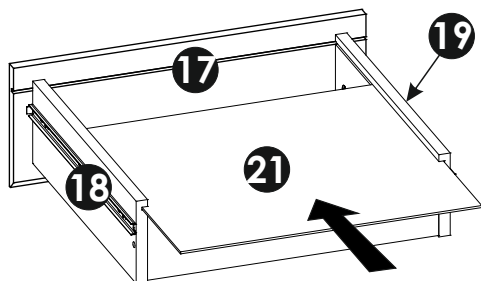
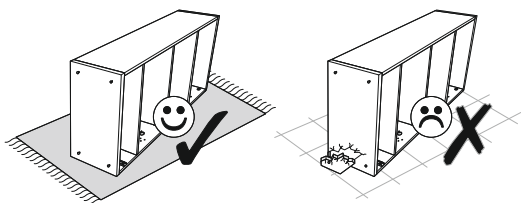
31 ▶



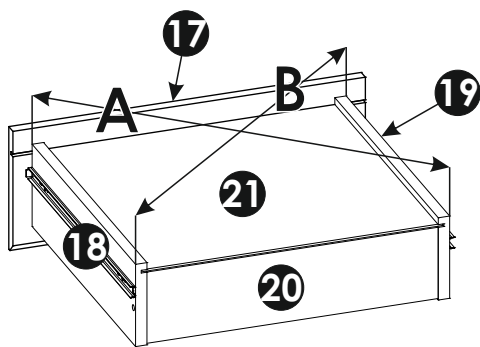
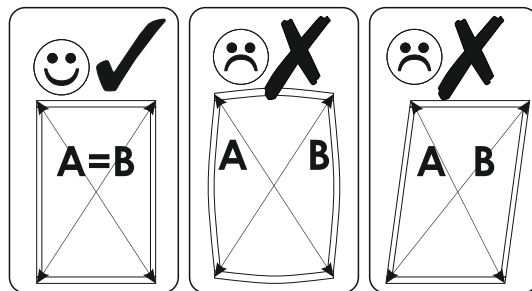
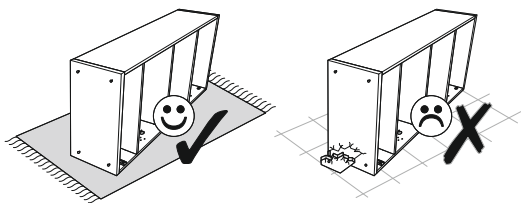
32 ▶



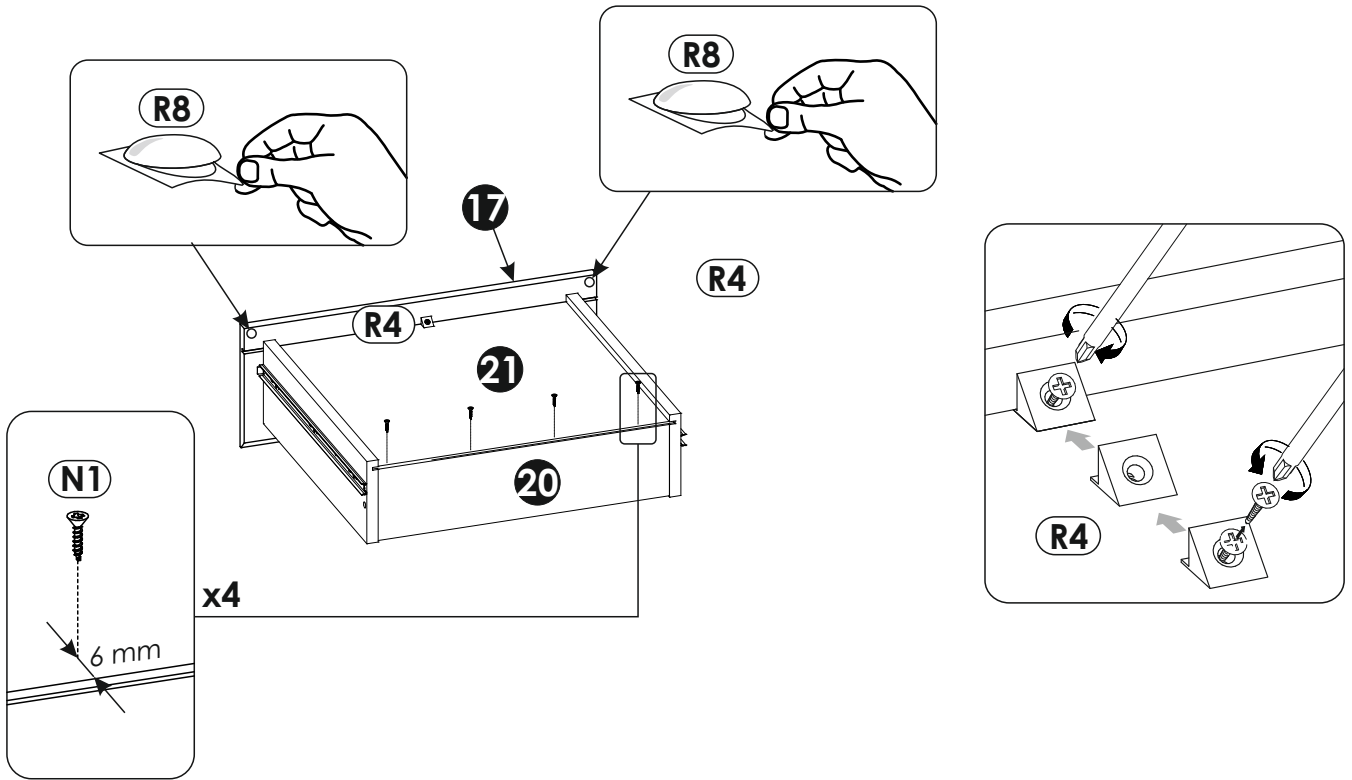
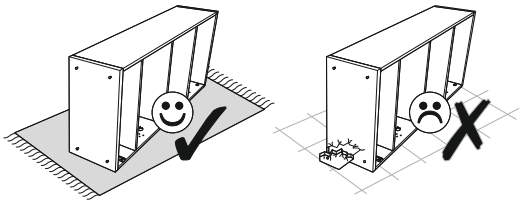
33 ▶



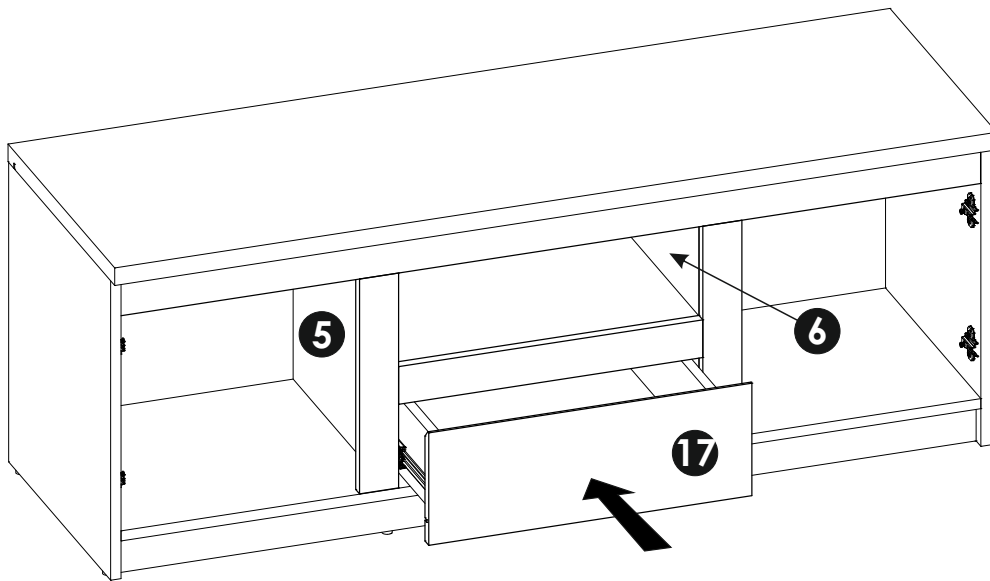
34 ▶

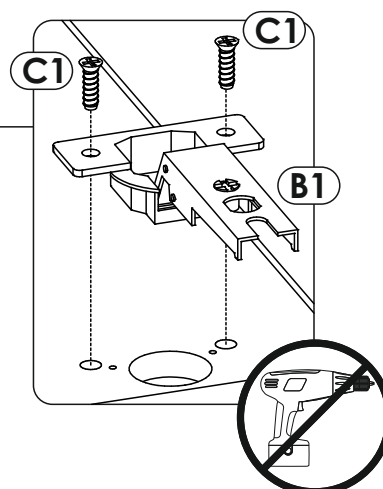
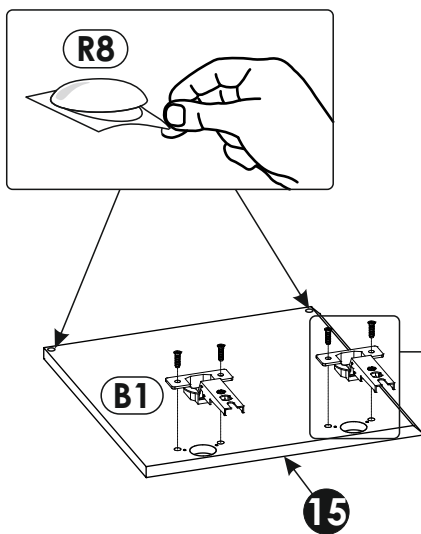
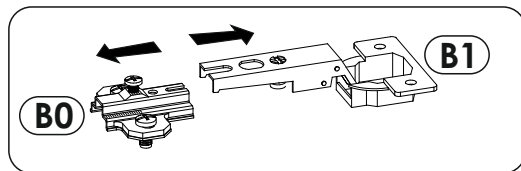
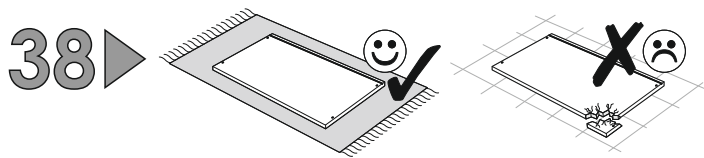
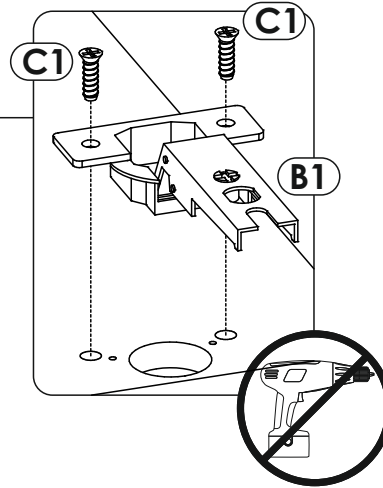
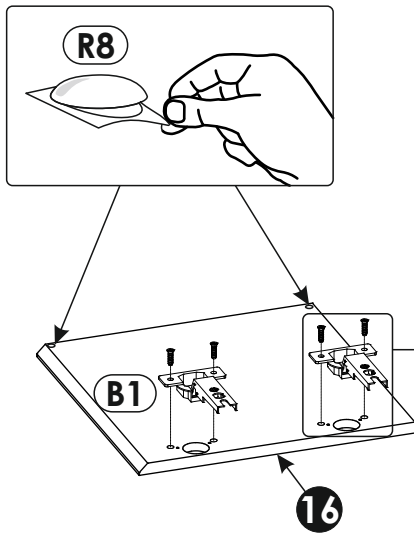
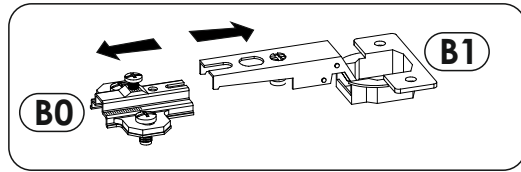
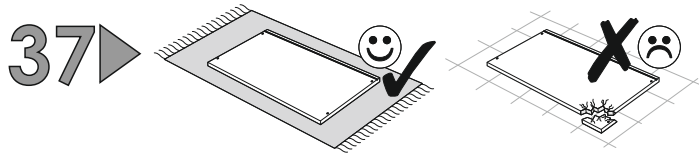


35▶

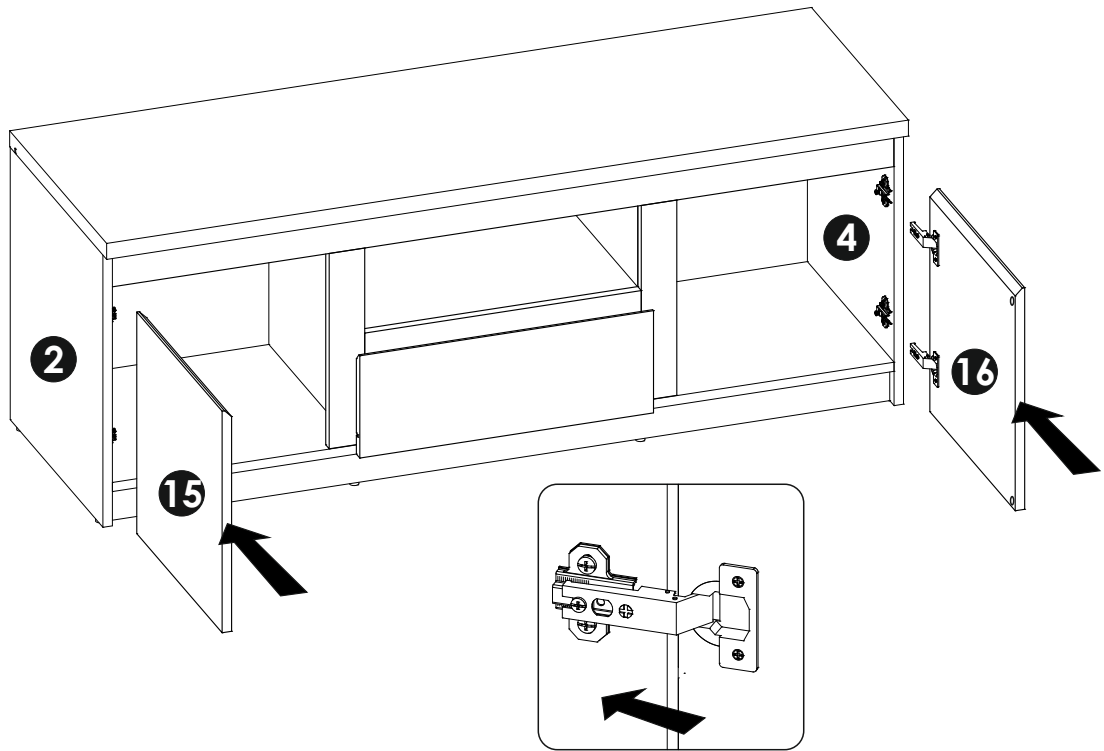


36▶

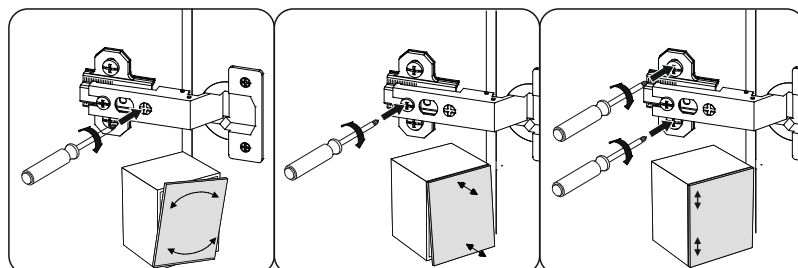
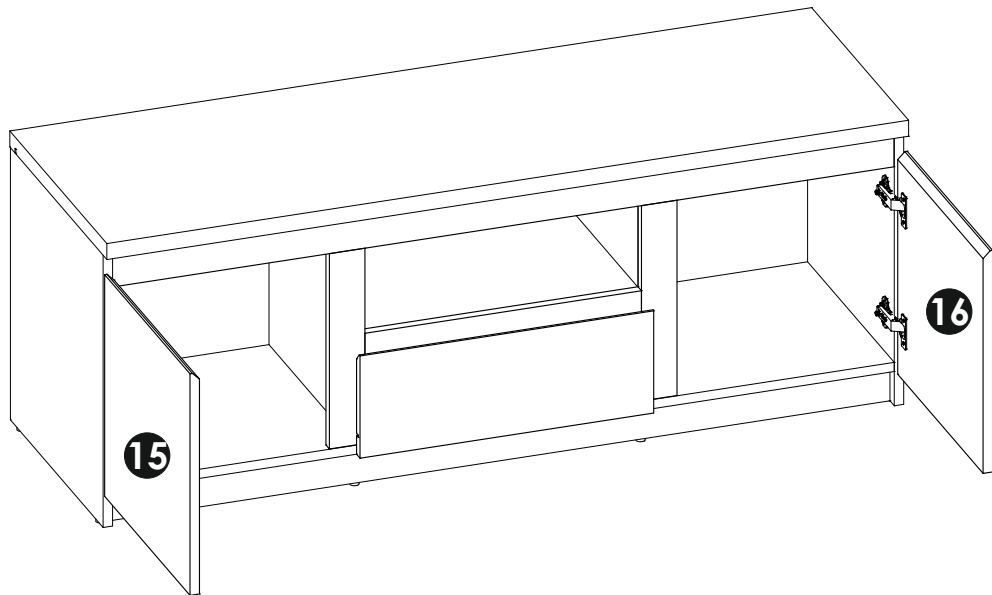




39▶



40▶



41 ▶

