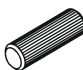
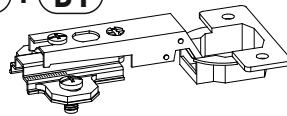


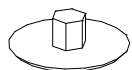


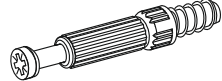
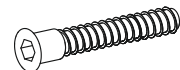



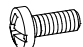
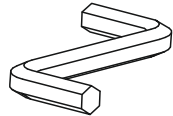



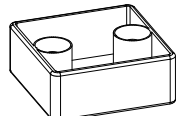
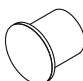

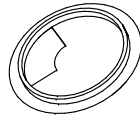
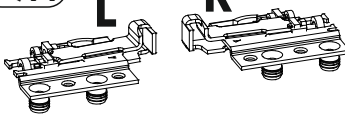
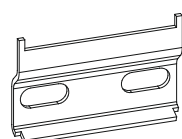
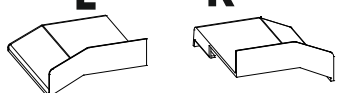
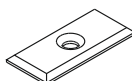
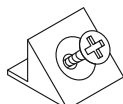
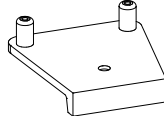
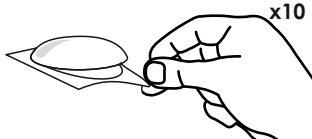
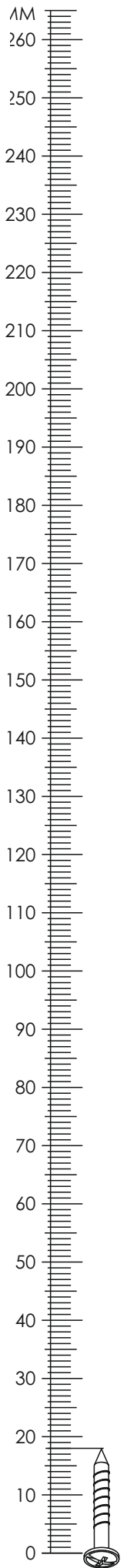
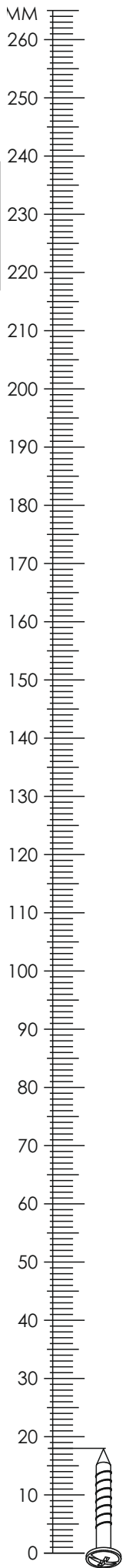
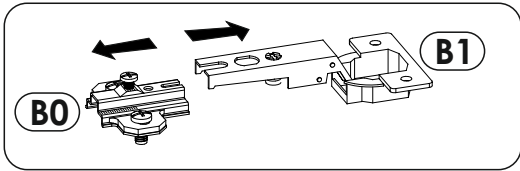
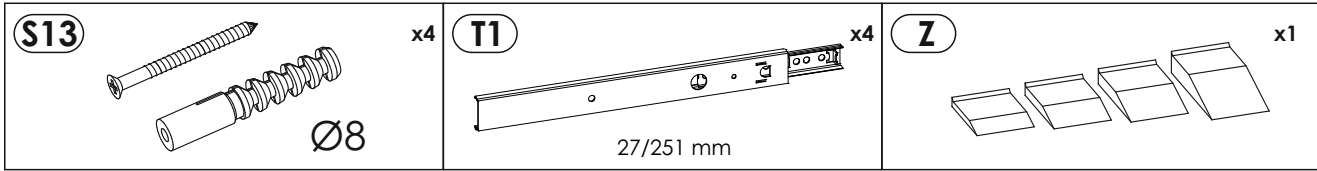
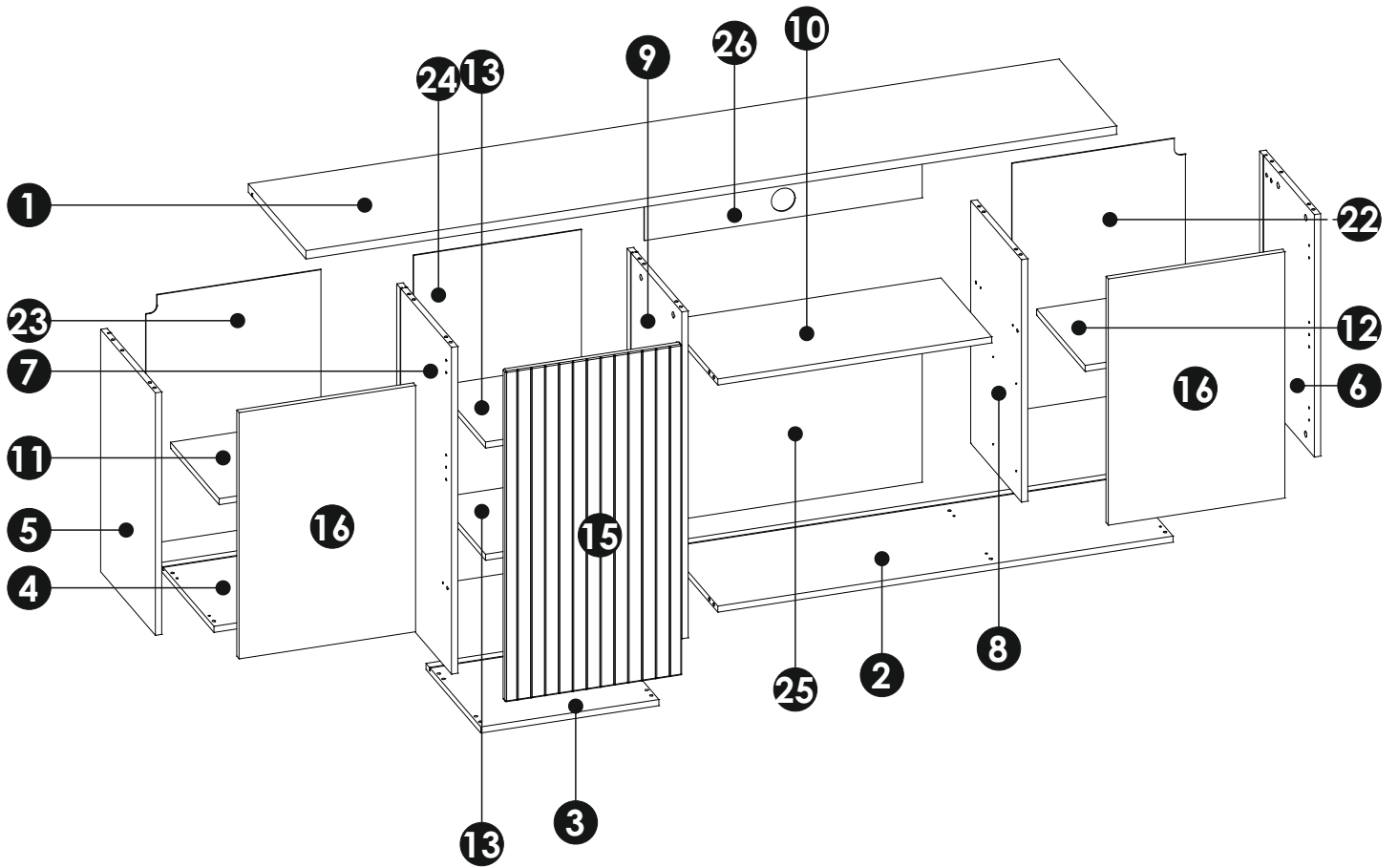
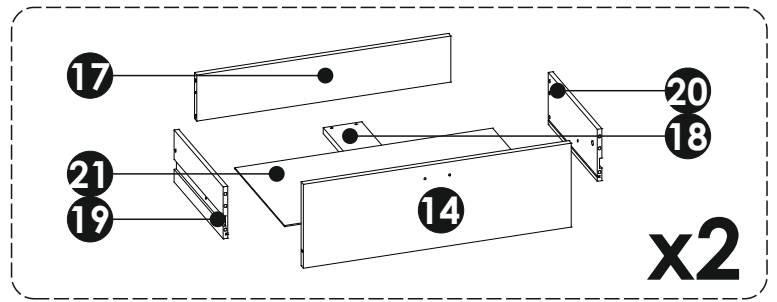
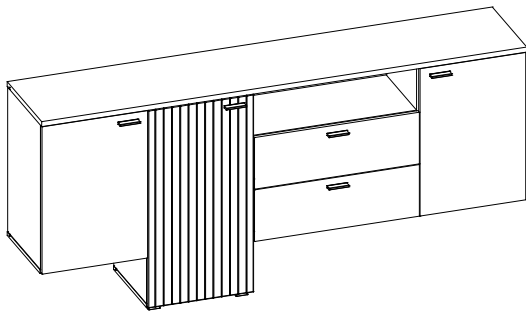


A1 8 x 35 mm x40 	B0 + B1 x6 	C2 5 x 13 mm x20 
D2 x16 	E0 Ø16 x20 	E1 15 x 12 mm x26 
E3 12 x 10 mm x4 	F1 6 x 34 mm x30 	G1 7 x 50 mm x8 
H1 x5  L - 84 mm	I4 3,5 x 27 mm x8 	I5 3,5 x 27 mm x10 
K1 4 x 9 mm x4 	M x1 	N1 3 x 16 mm x25 
N5 3,5 x 16 mm x4 	N9 3,5 x 40 mm x4 	O2 x4 
P0 x10 	P15 x1 	P24 x1 
P9A L R x1 	P8B x2 	P9B L R x1 
R1 x8 	R4 x22 	R5 x1 
R8 x10 		



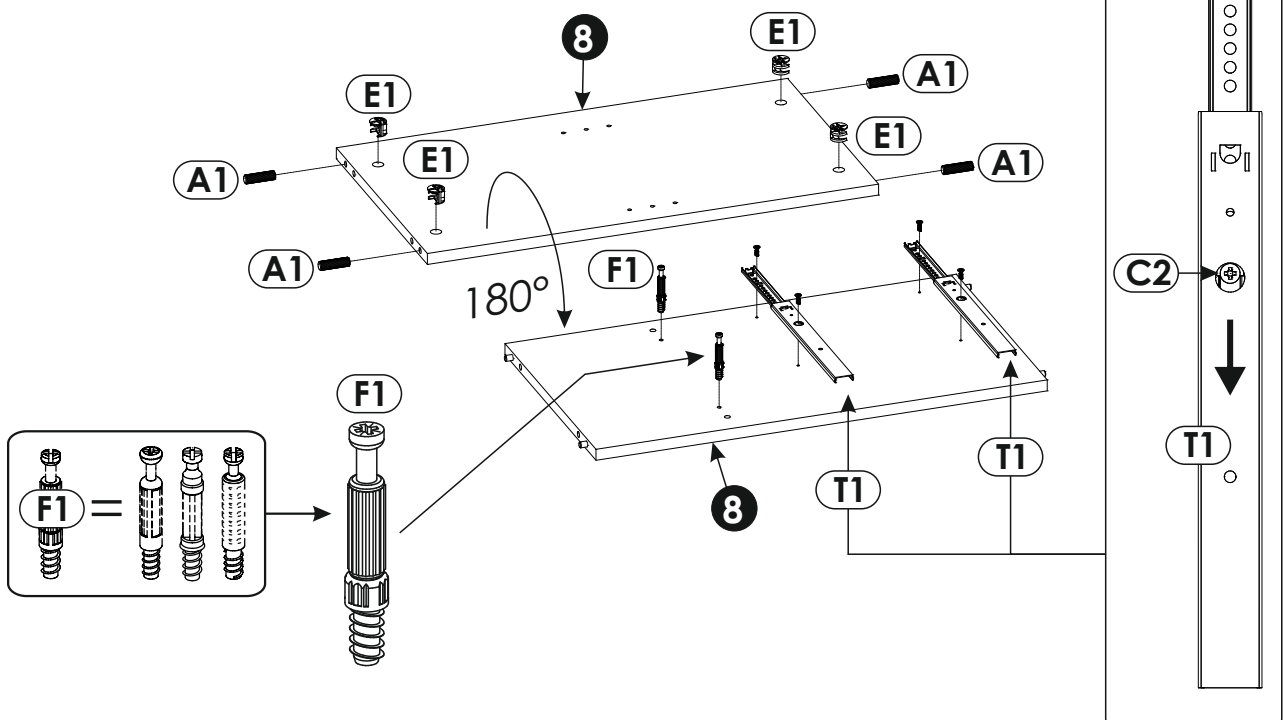
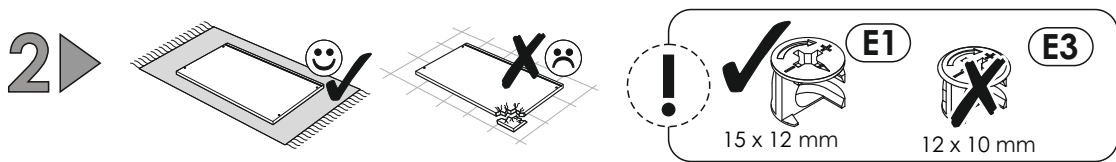
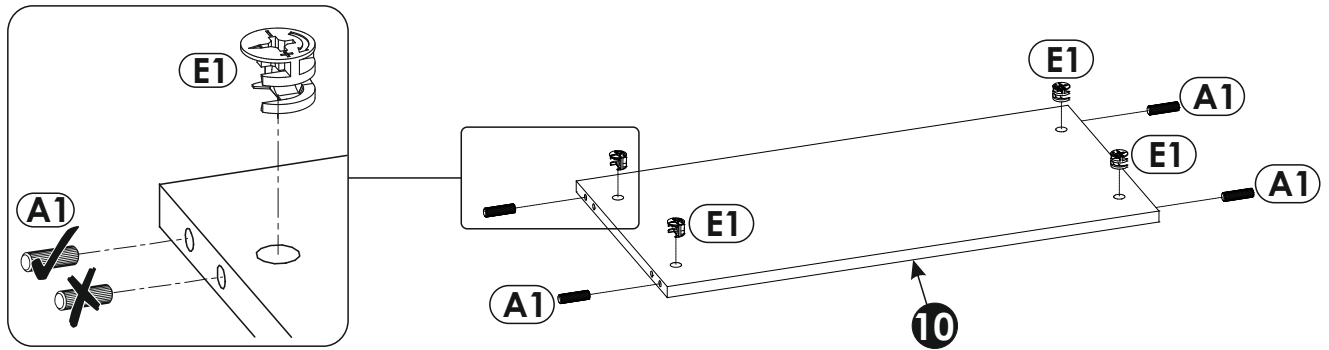
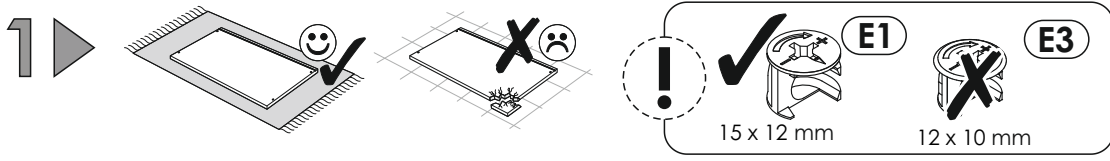
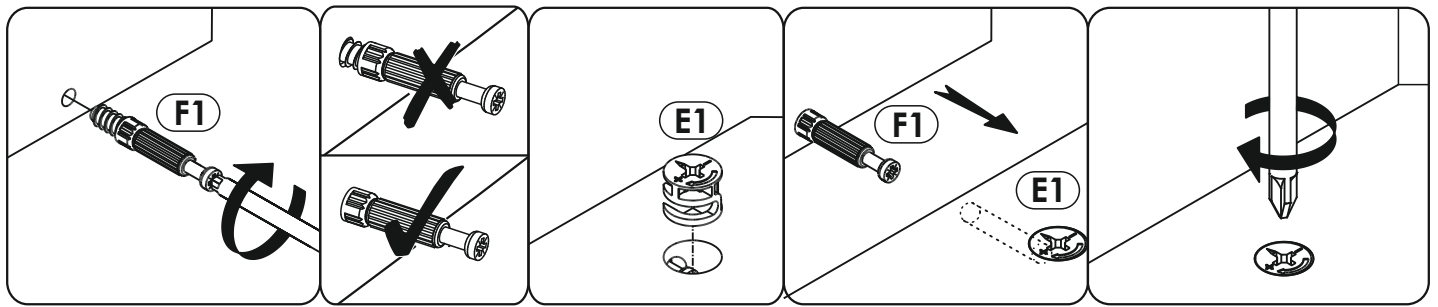


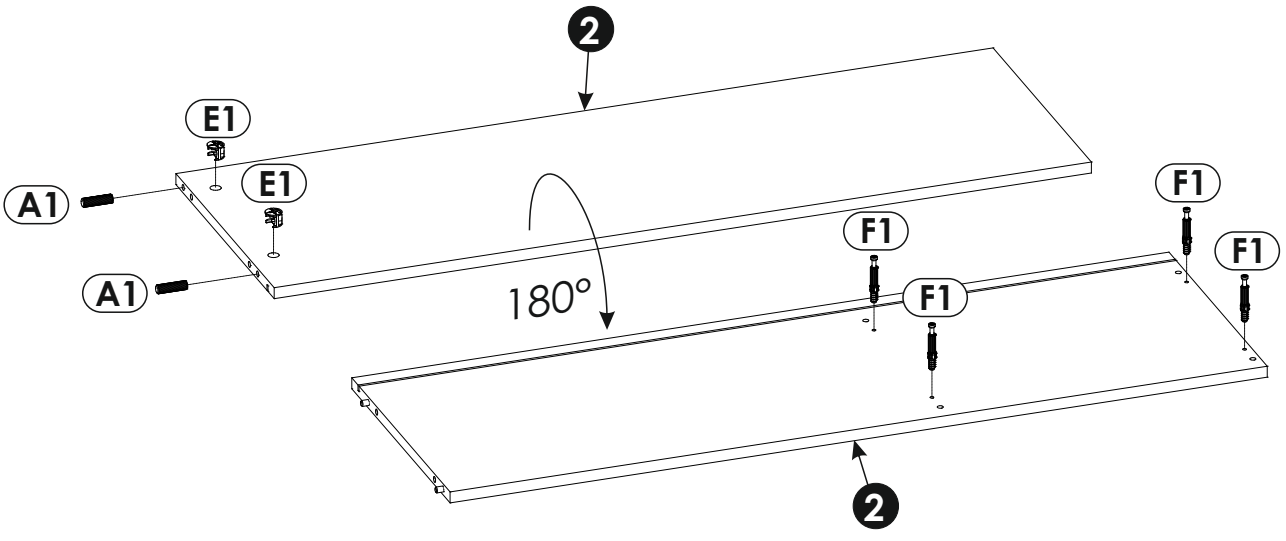
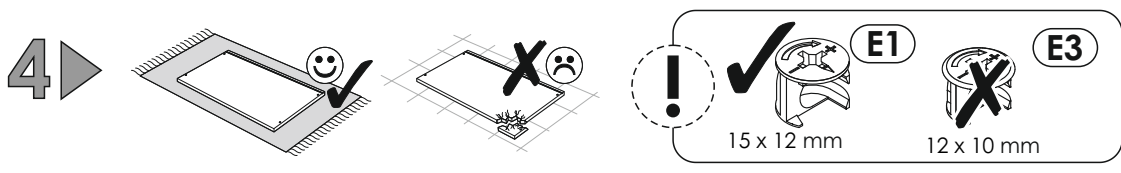
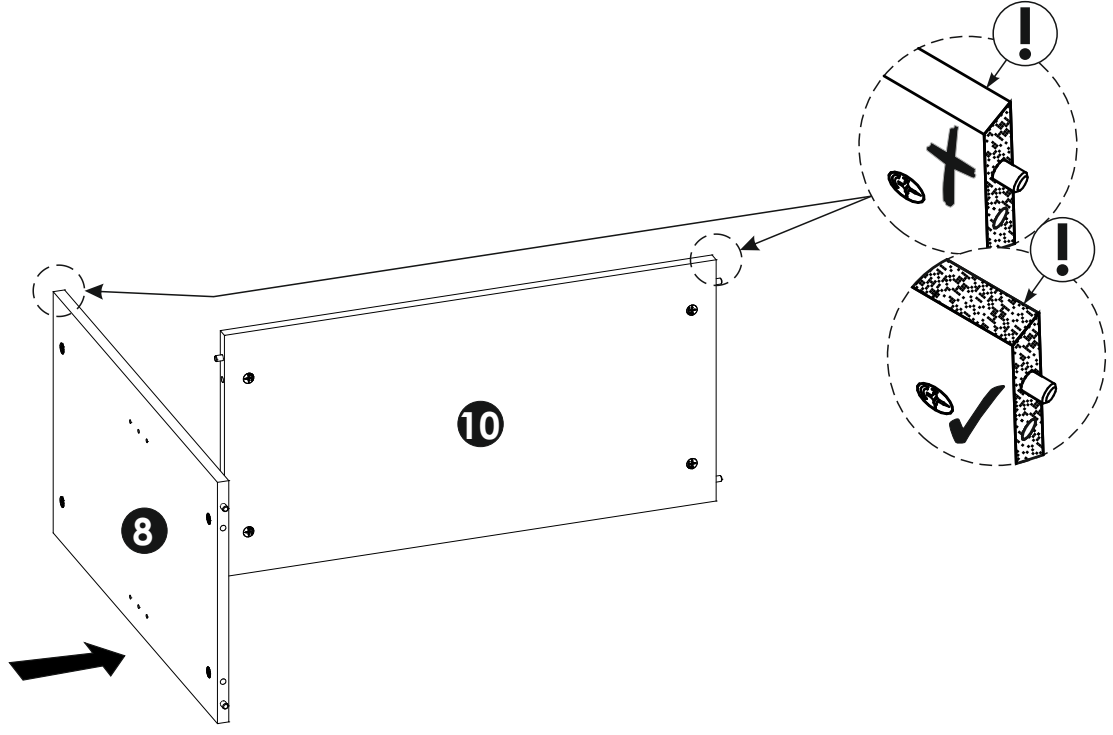
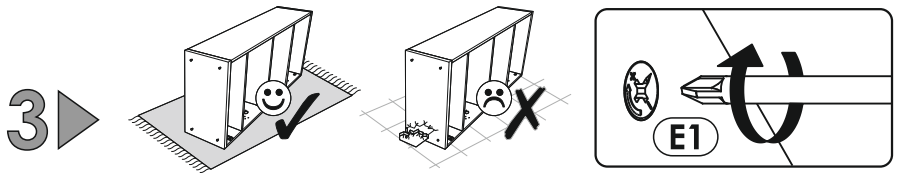


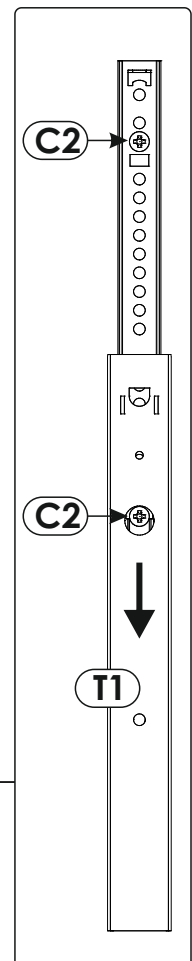
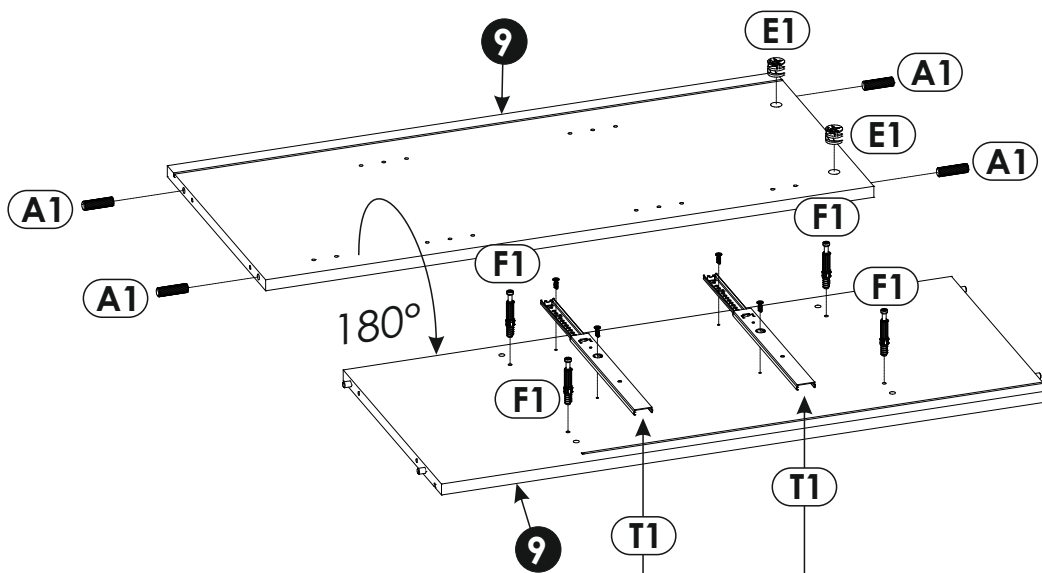
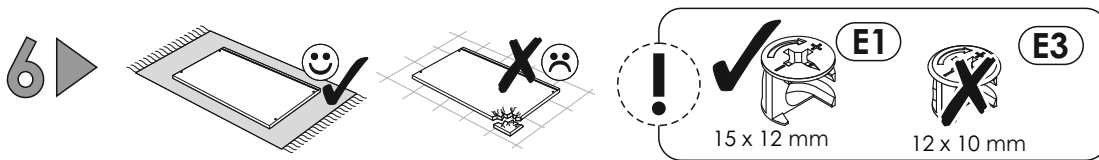
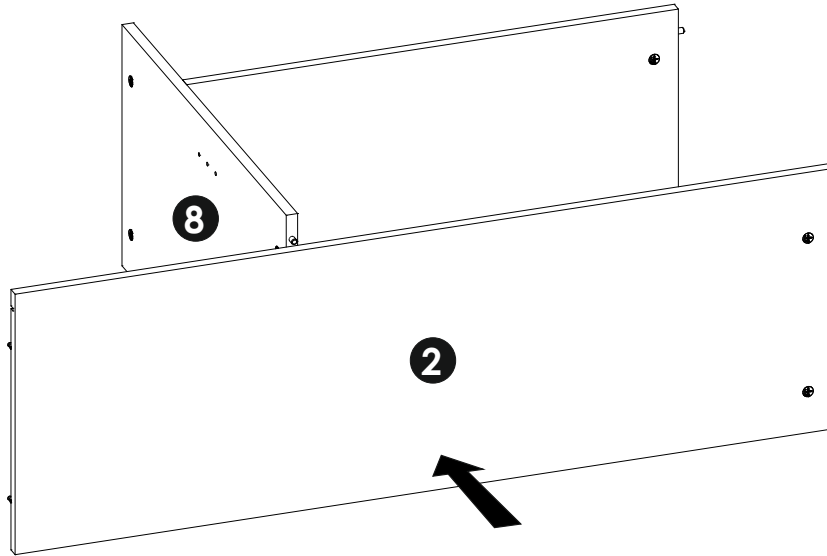
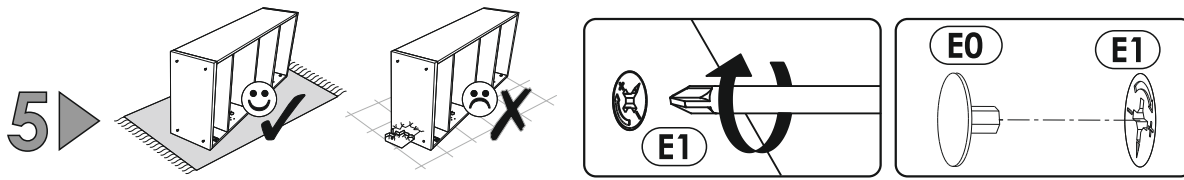
1	2048	400	22	x1	2/3
2	1149	380	16	x1	3/3
3	450	380	16	x1	3/3
4	449	380	16	x1	3/3
5	635	380	16	x1	2/3
6	635	380	16	x1	2/3
7	856	380	16	x1	2/3
8	635	352	16	x1	1/3

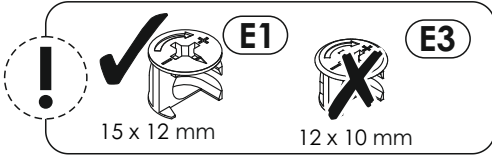
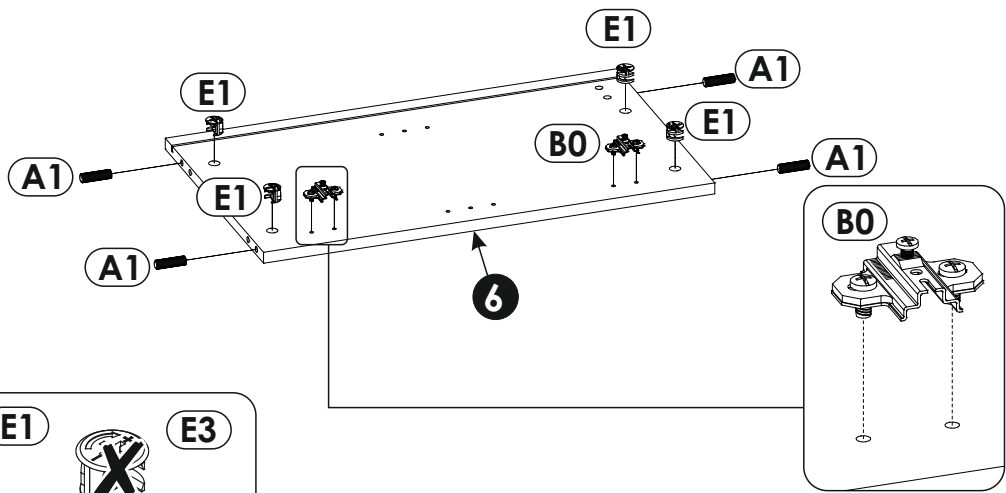
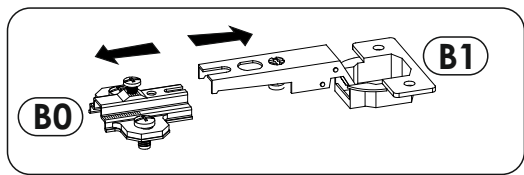
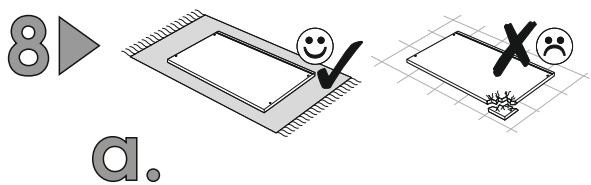
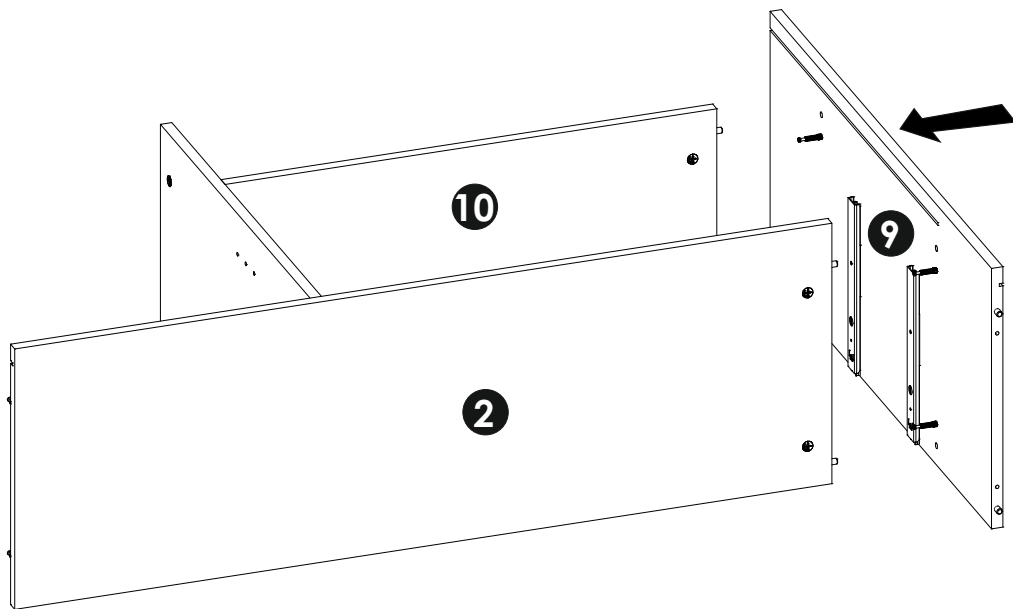
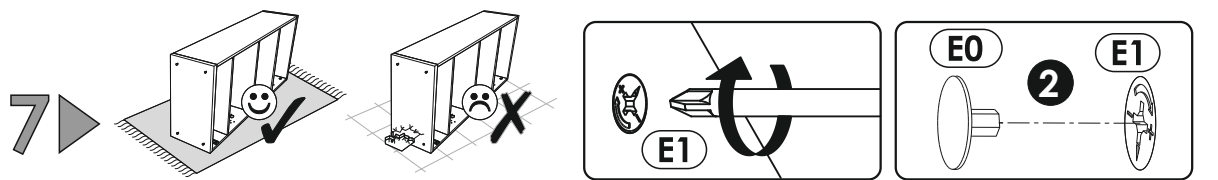
9	856	380	16	x1	2/3
10	692	352	16	x1	1/3
11	431	337	16	x1	1/3
12	423	337	16	x1	1/3
13	415	337	16	x2	1/3
14	696	226	16	x2	3/3
15	866	446	16	x1	1/3
16	645	446	16	x2	1/3

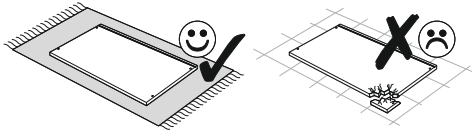
17	660	124	16	x2	3/3
18	350	100	16	x2	1/3
19	350	140	12	x2	2/3
20	350	140	12	x2	2/3
21	670	355	3	x2	2/3
22	649	438	3	x1	1/3
23	649	442	3	x1	1/3
24	870	424	3	x1	1/3
25	443	702	3	x1	1/3
26	204	702	3	x1	2/3



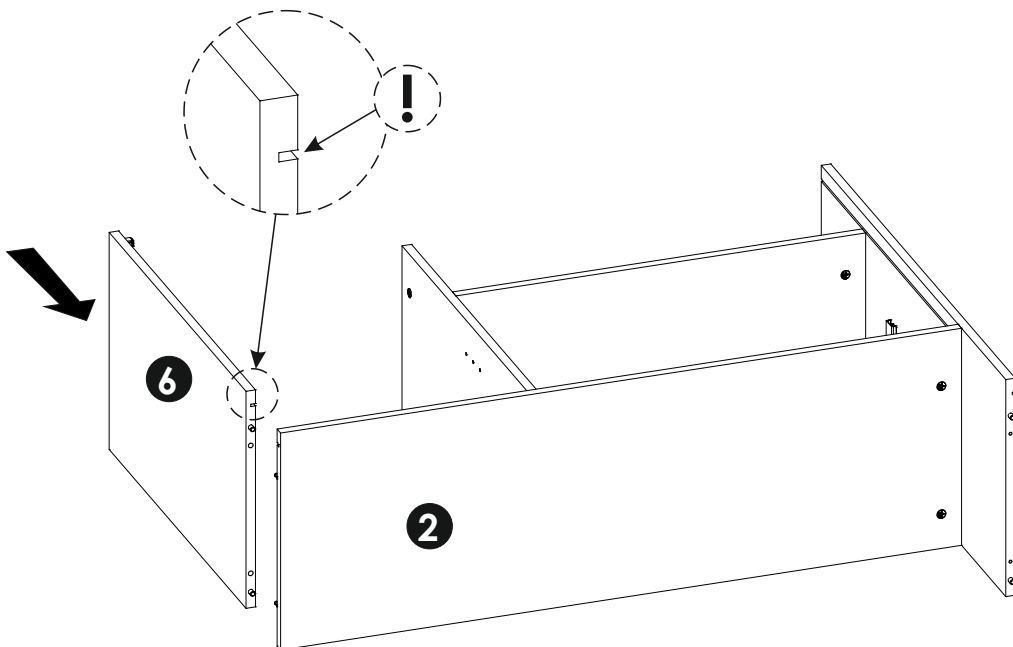
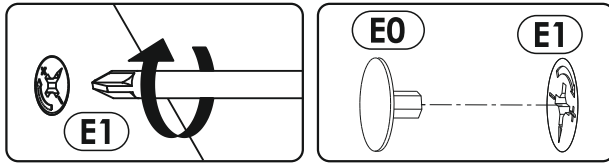
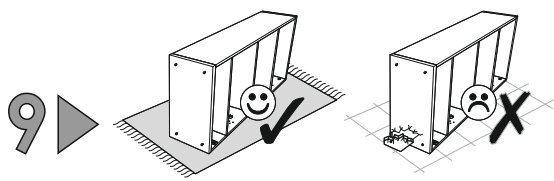
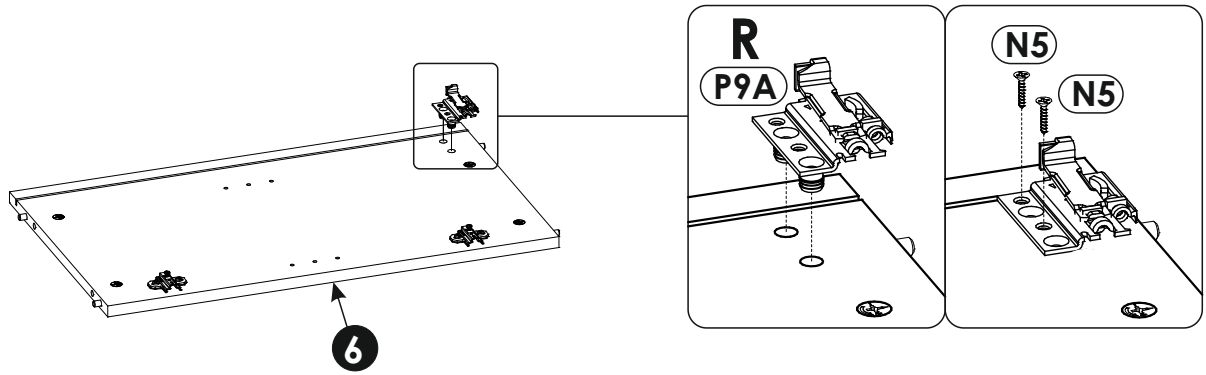




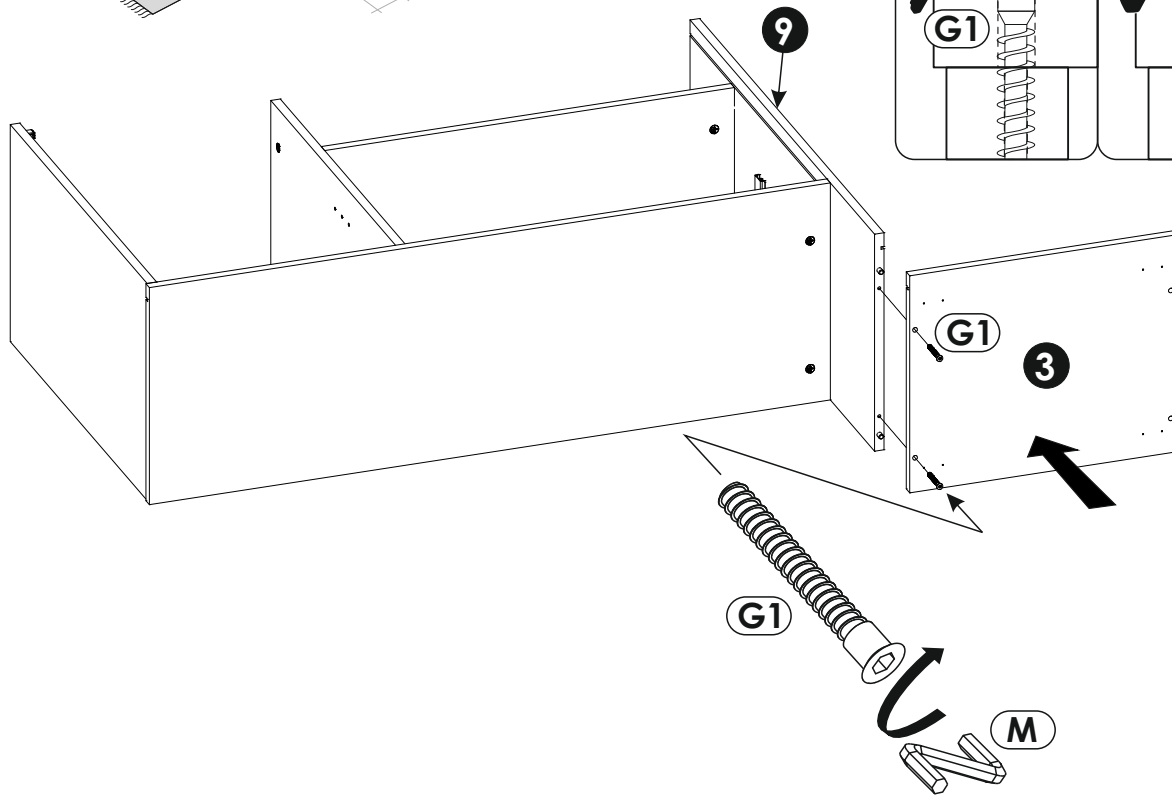
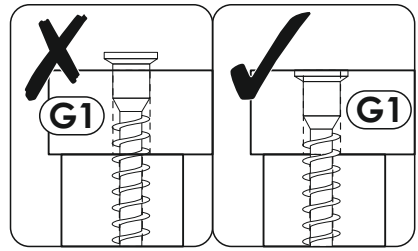
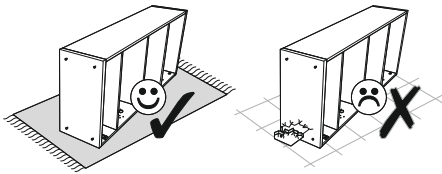




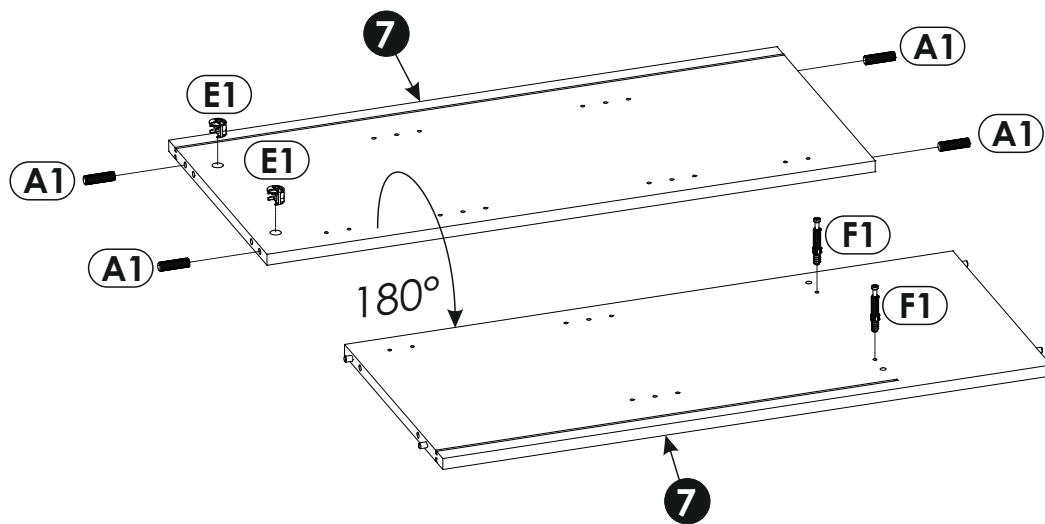
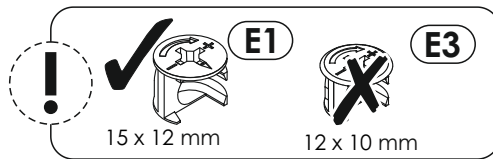
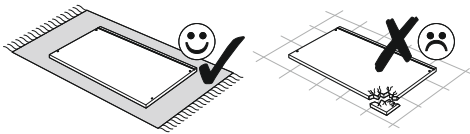
b.



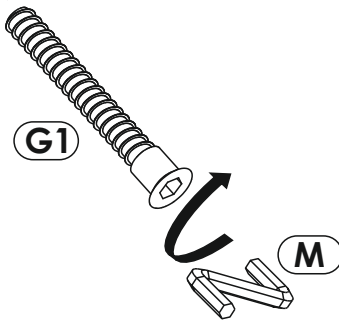
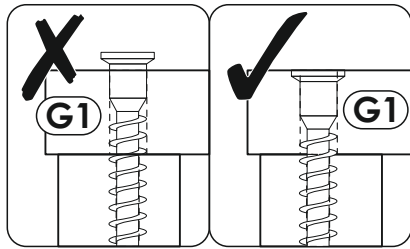
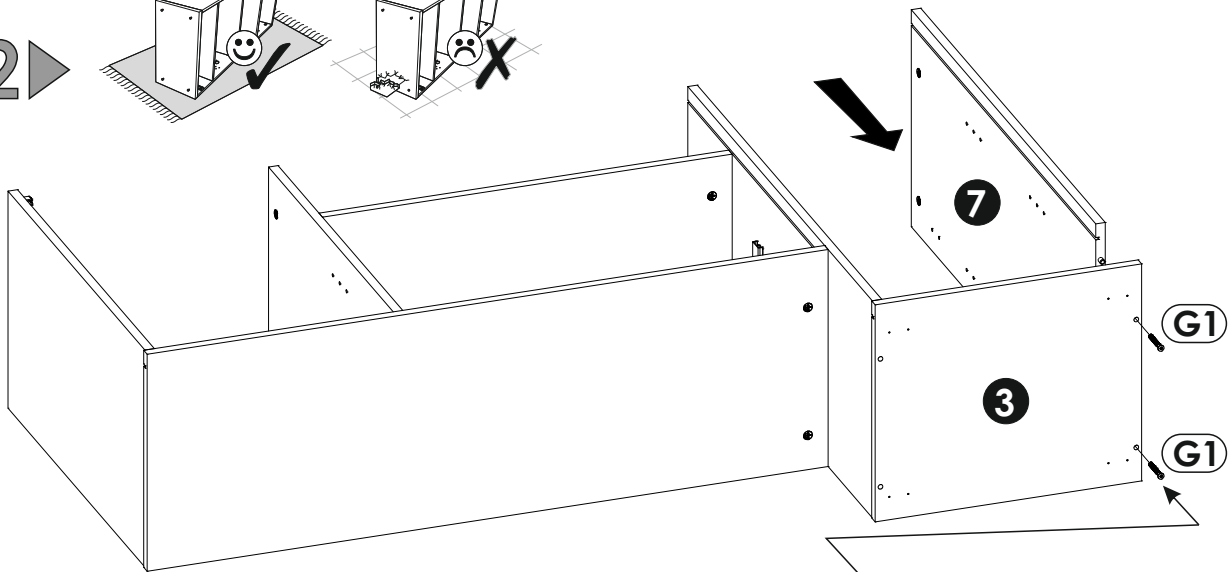
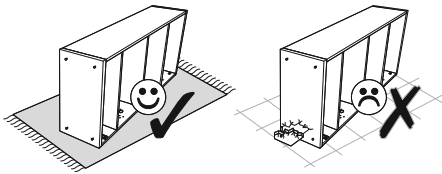
10 ▶



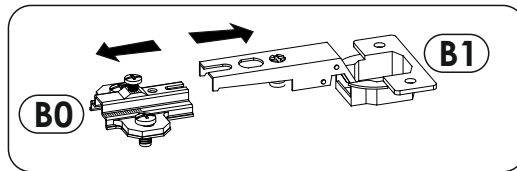
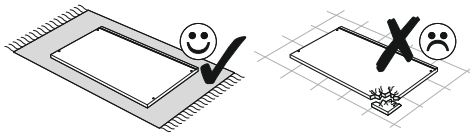
11 ▶



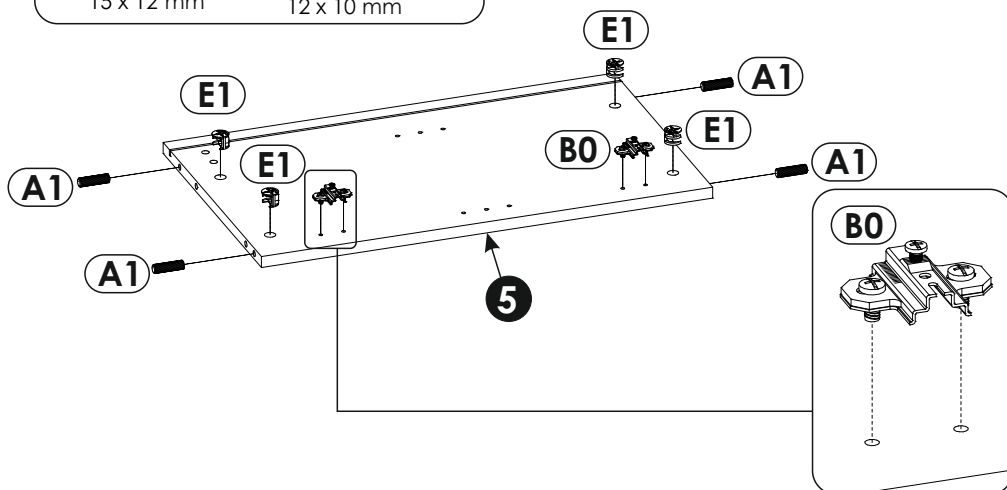
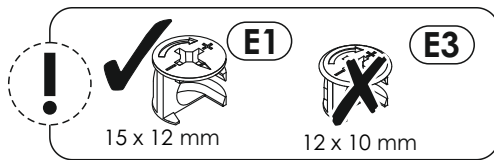
12 ▶

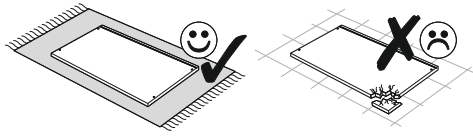


13 ▶

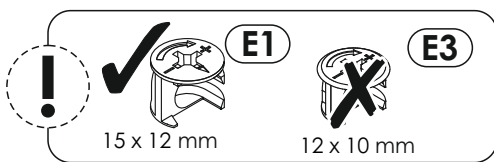
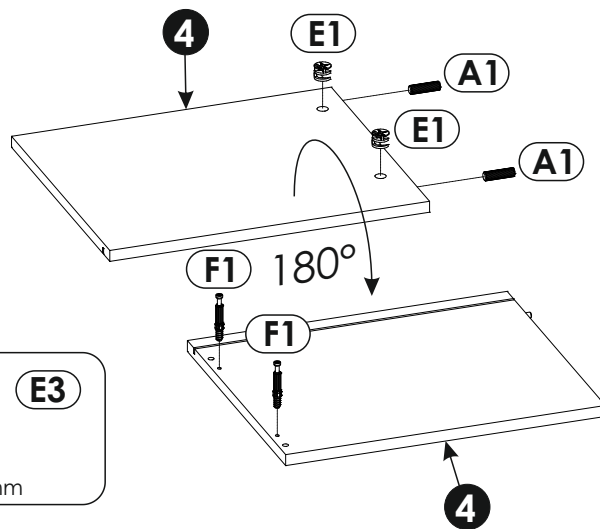
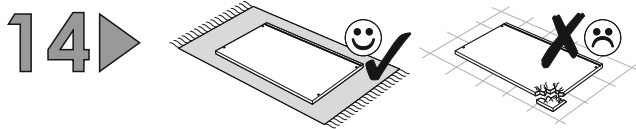
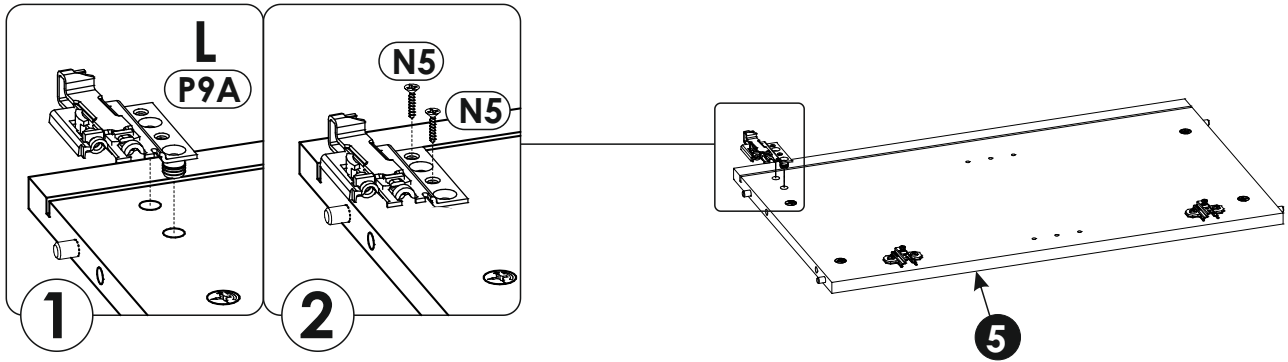


a.

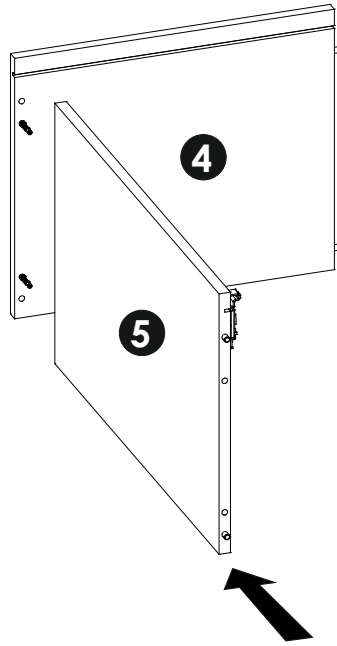
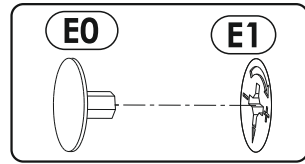
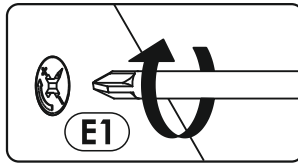
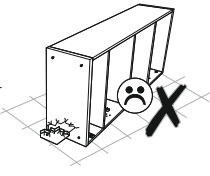
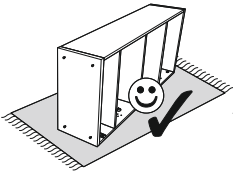




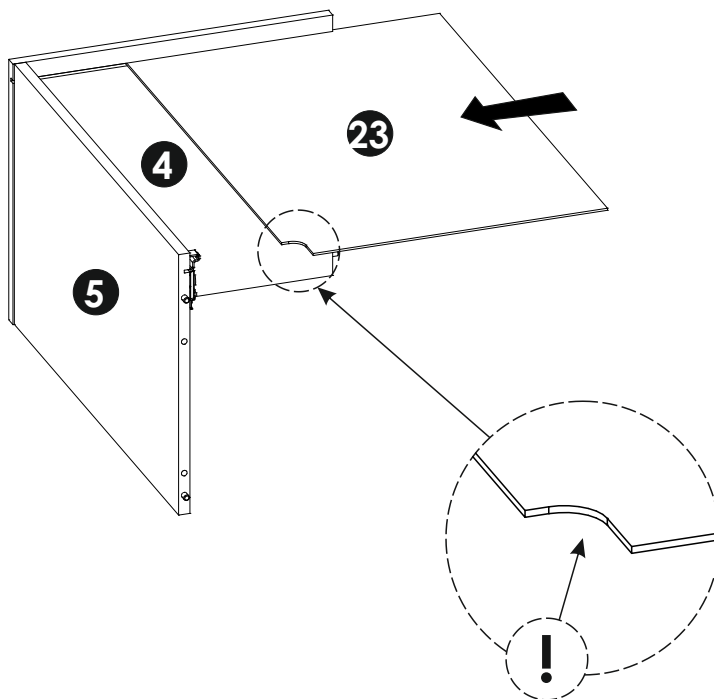
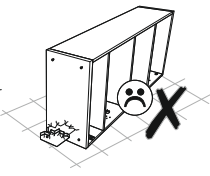
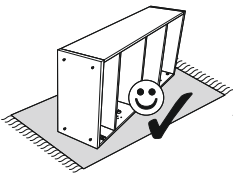
b.

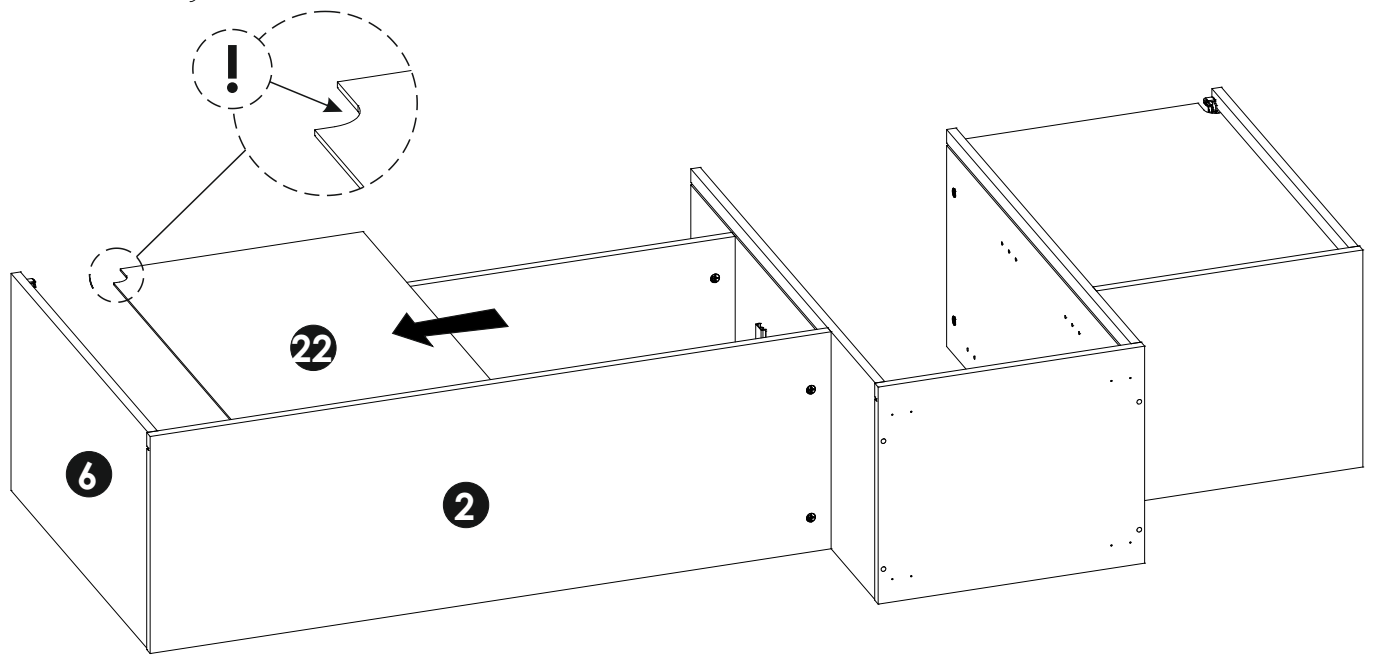
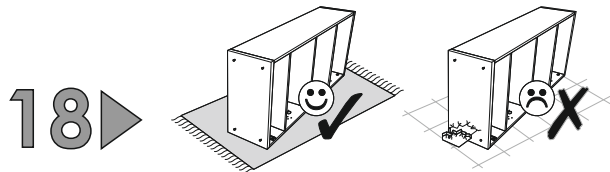
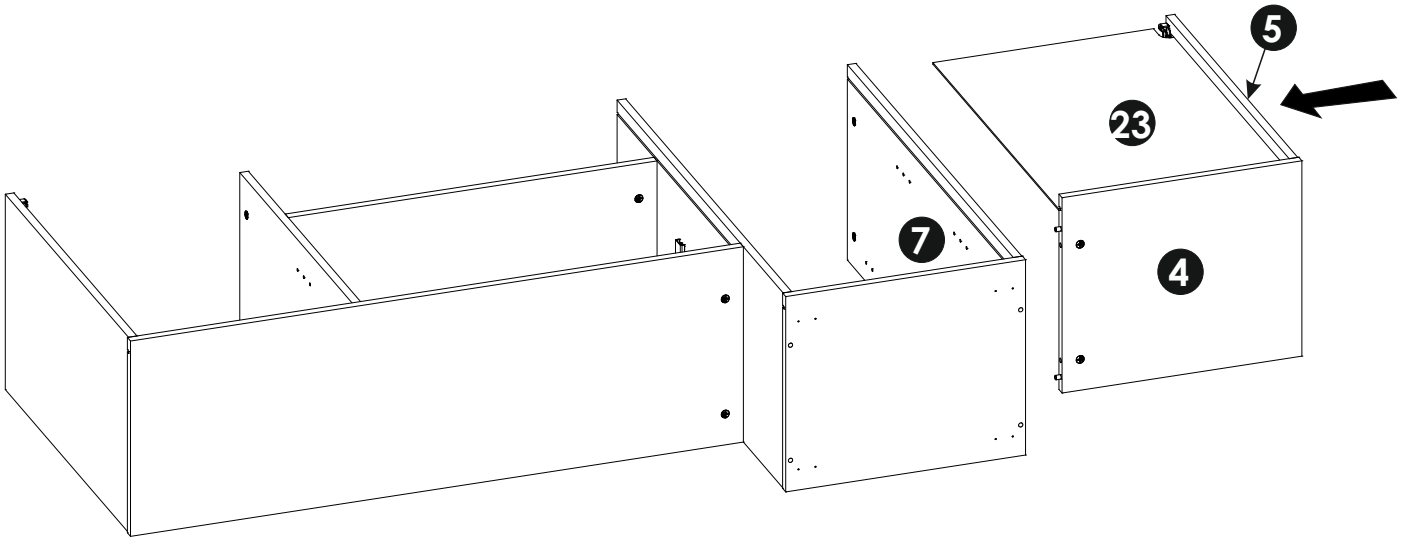
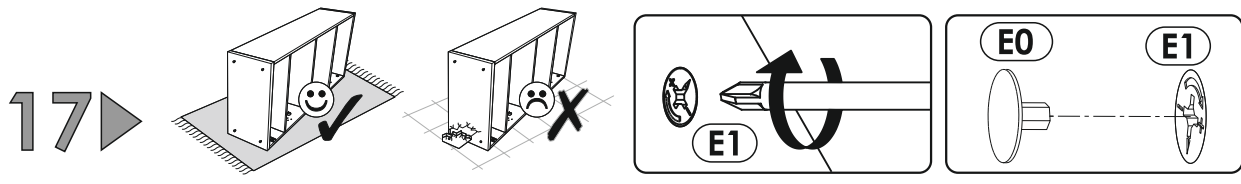


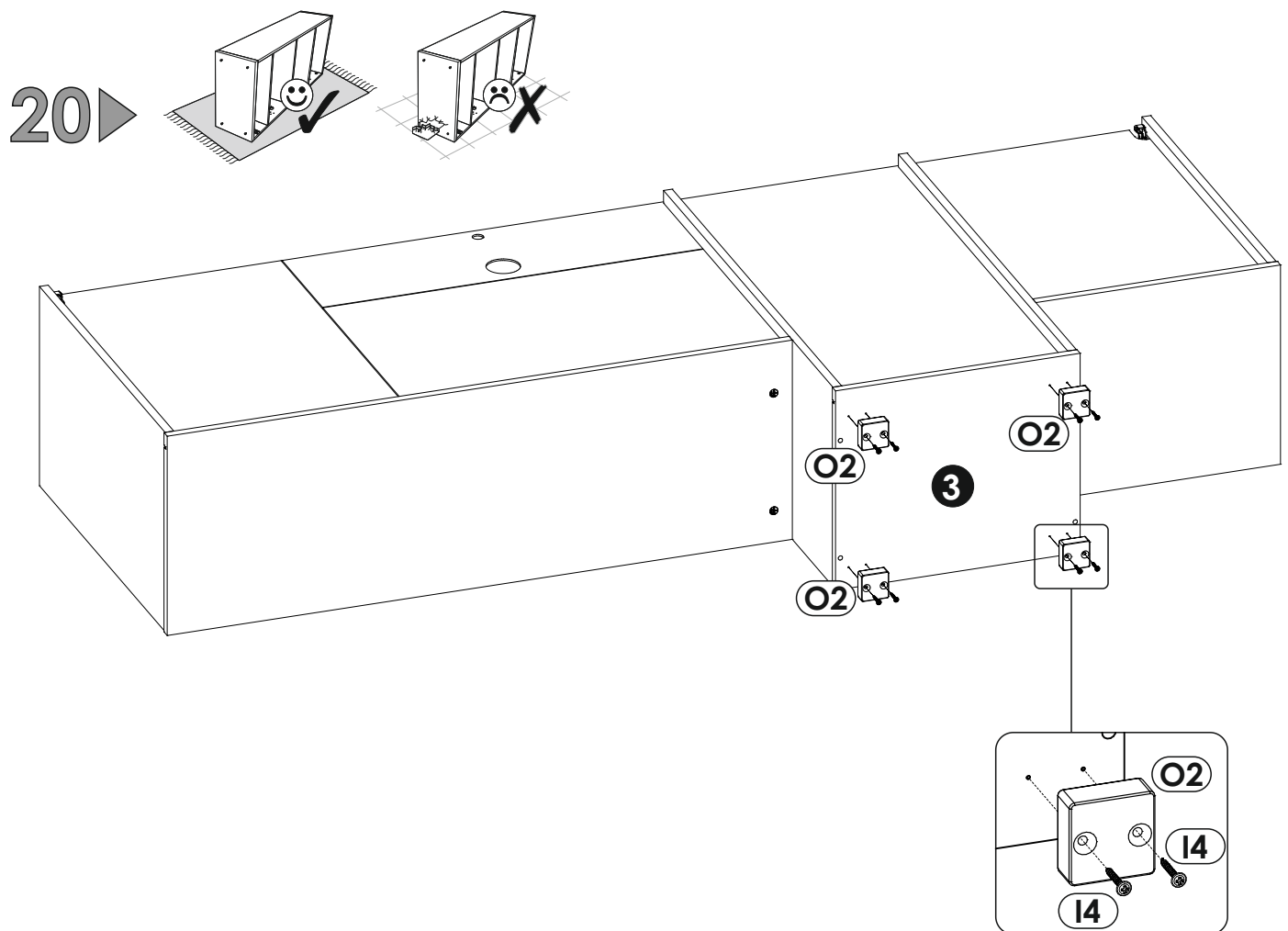
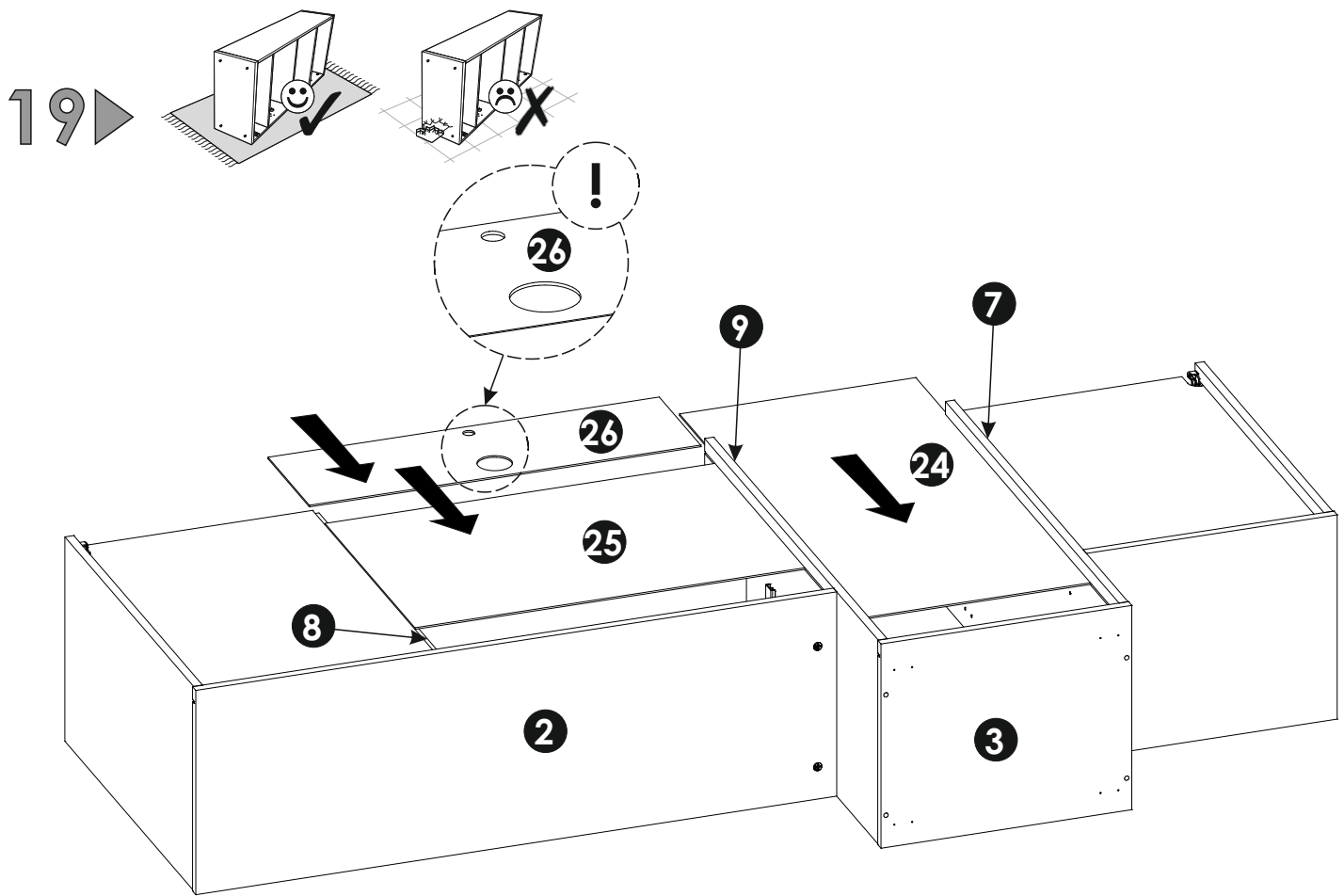
15▶



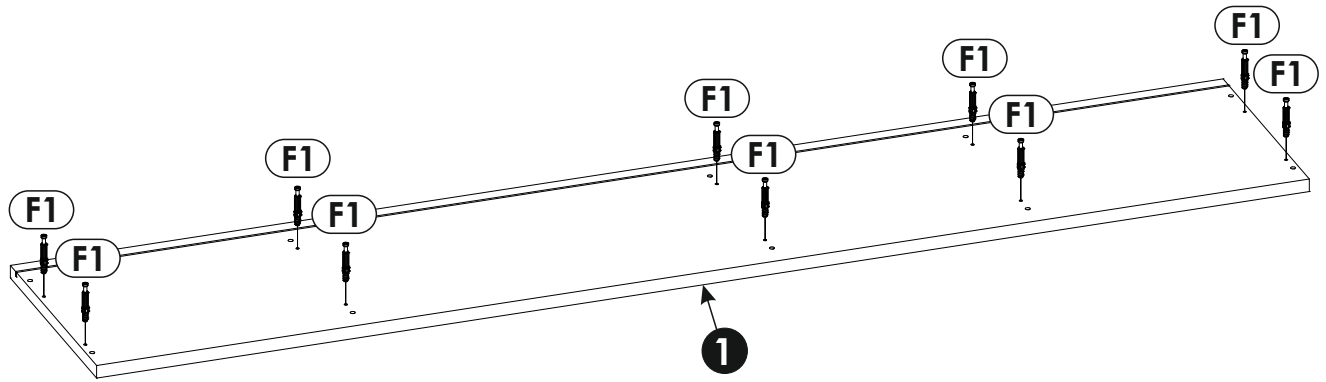
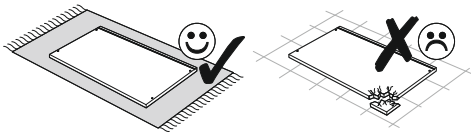
16▶



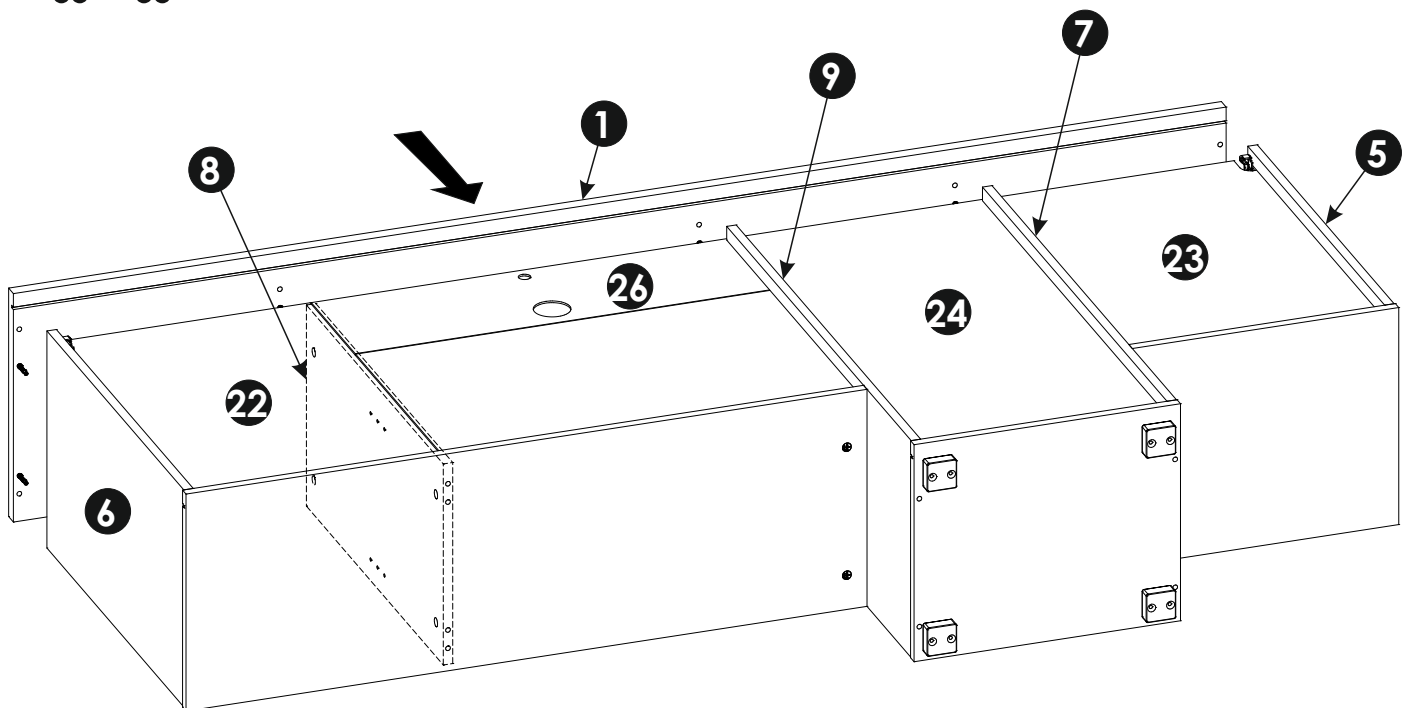
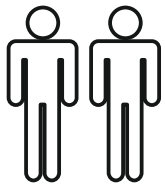
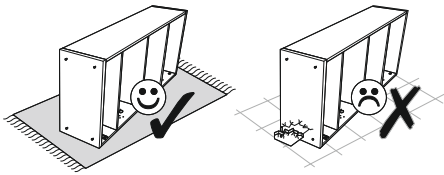




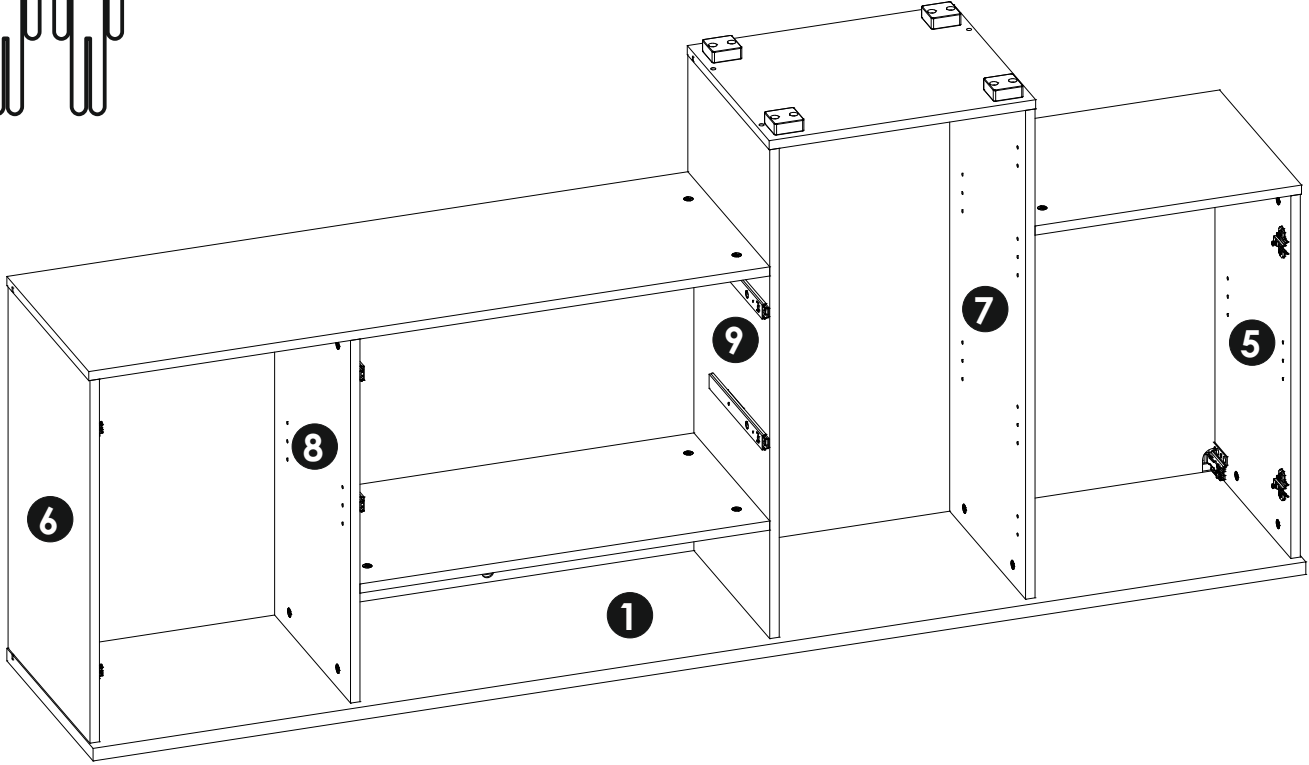
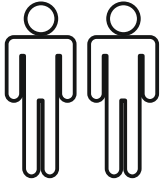
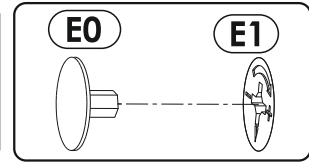
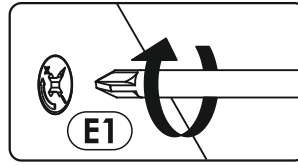
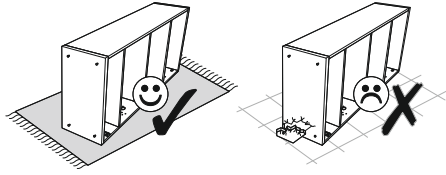
21 ▶



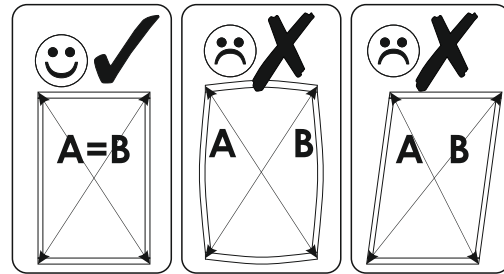
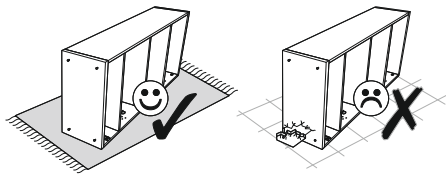
22 ▶



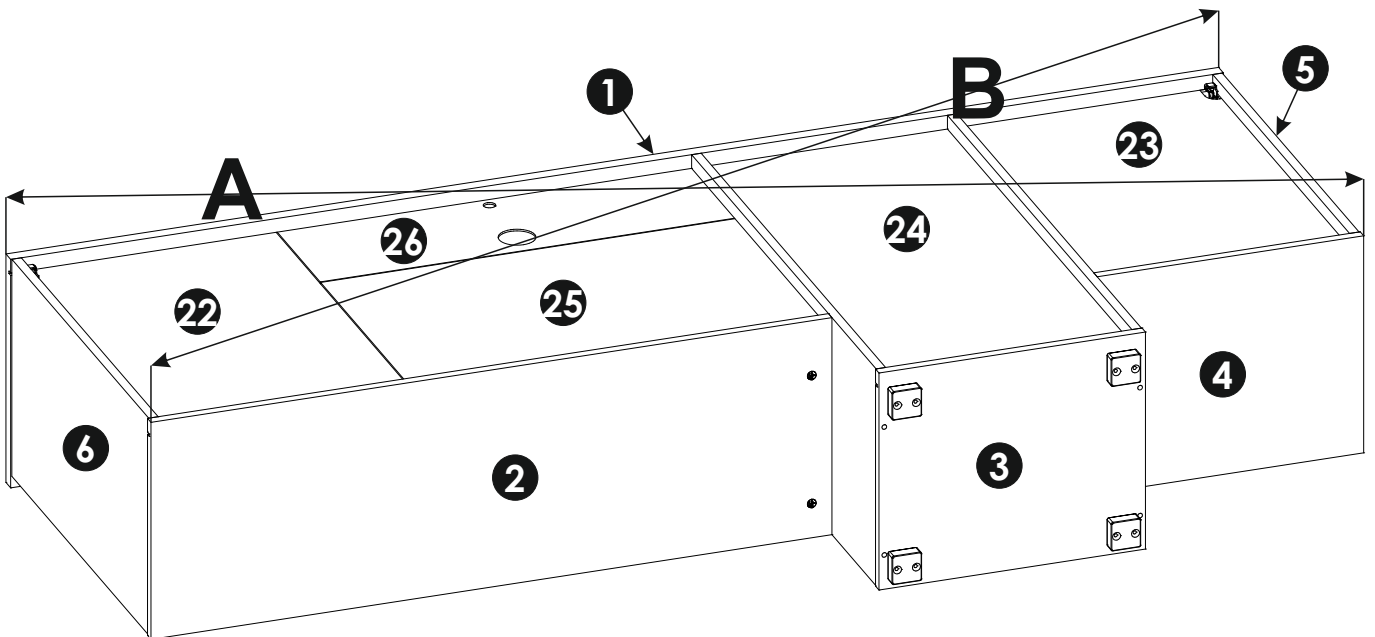
23 ▶



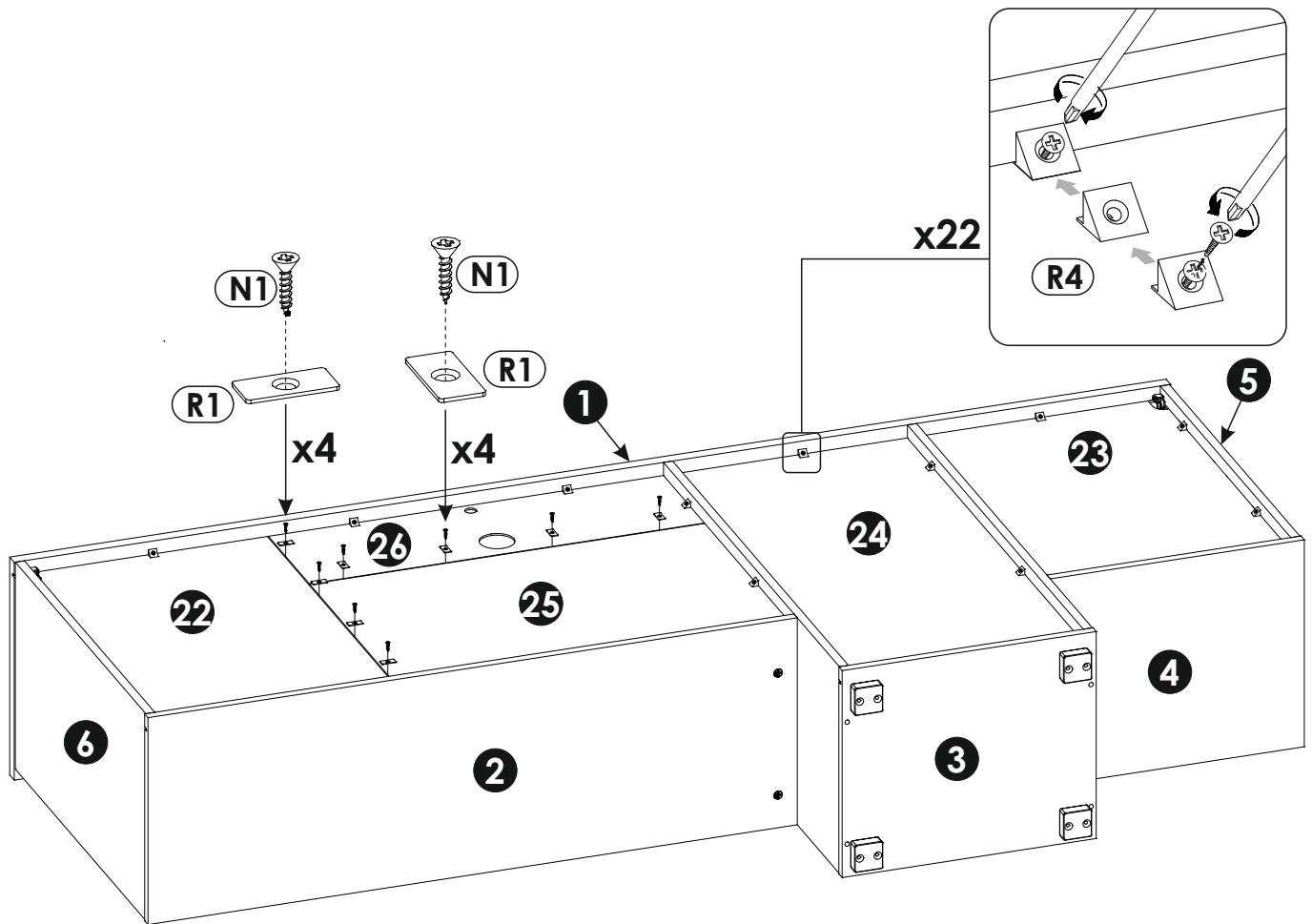
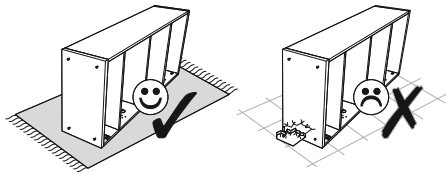
24 ▶



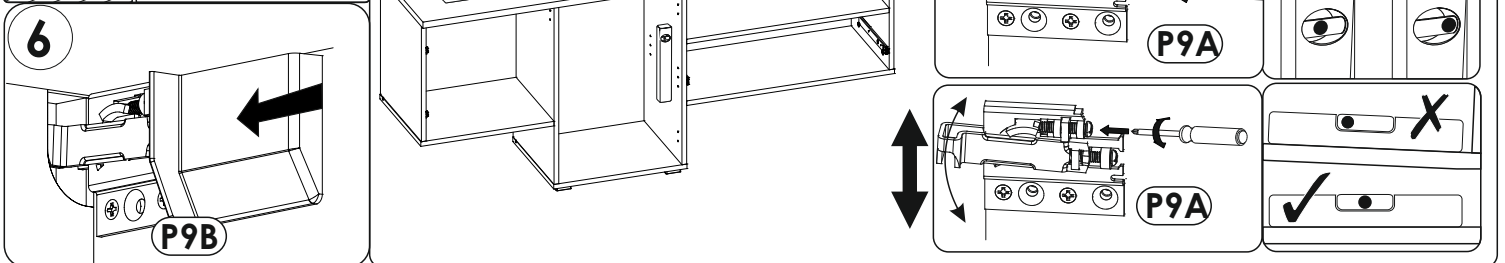
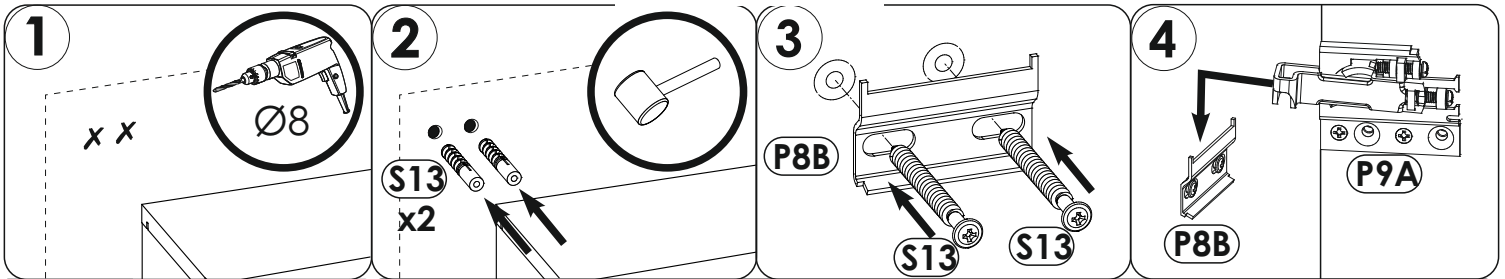
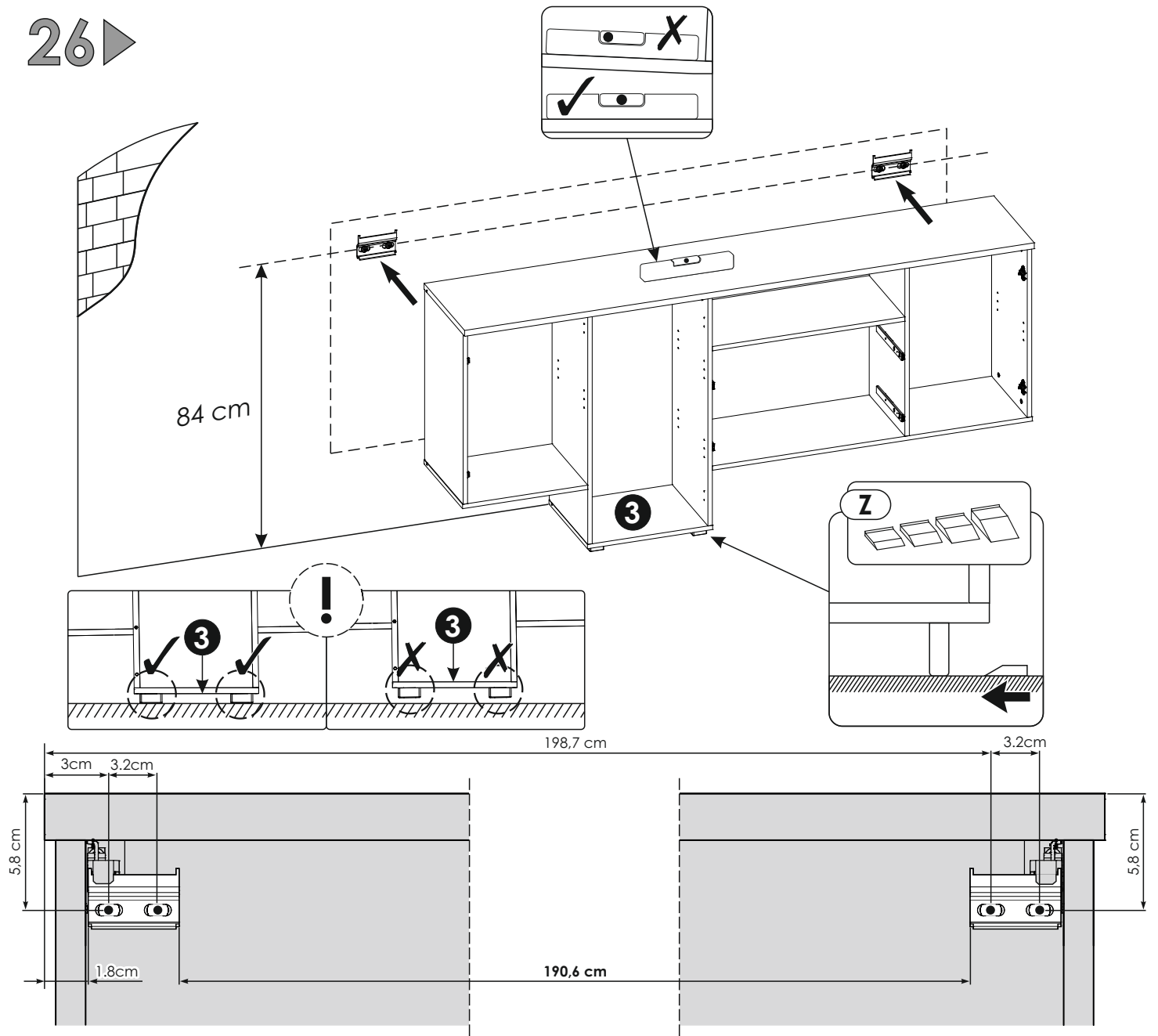
A=B



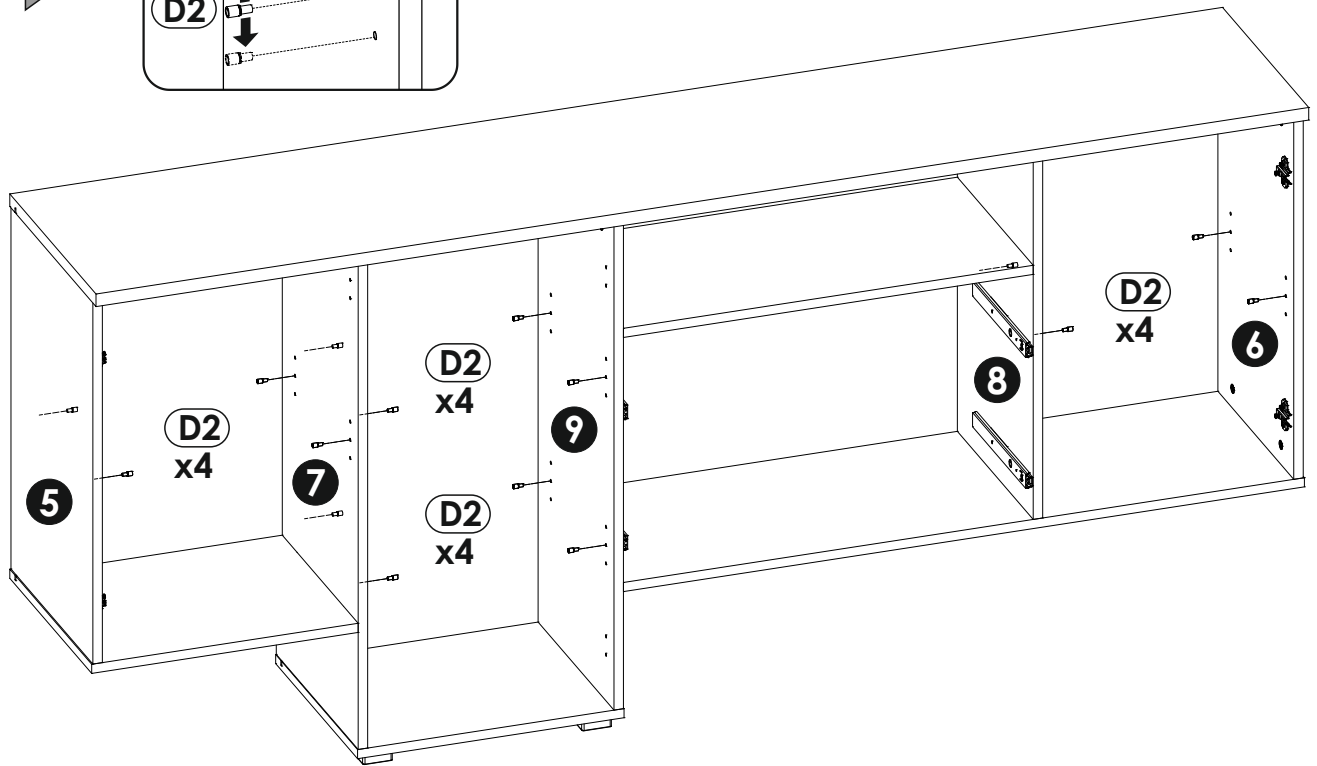
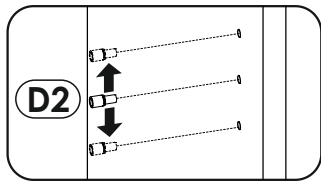
25 ▶



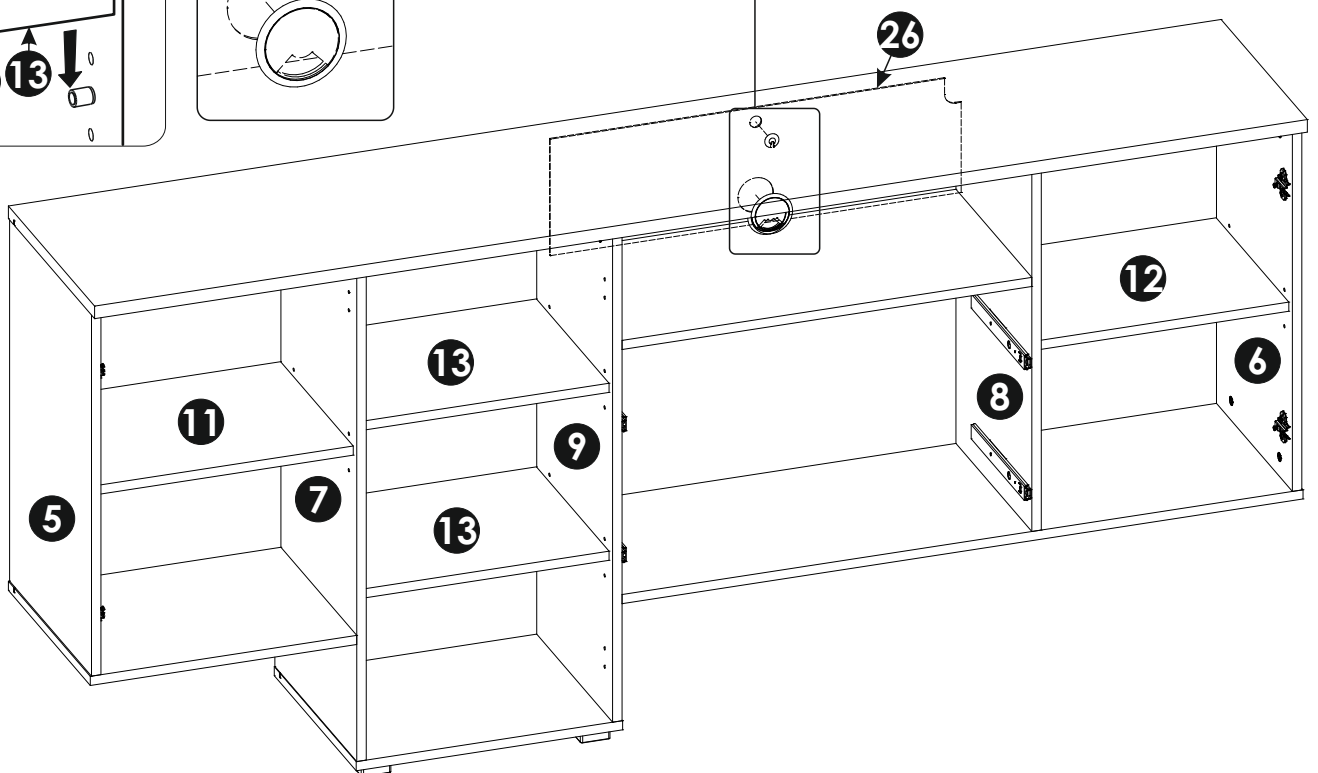
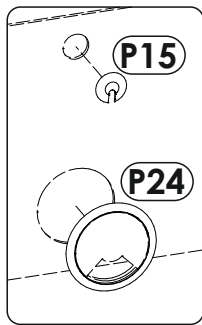
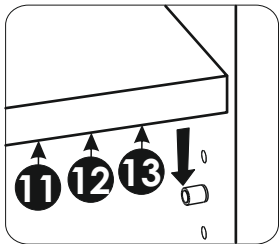
26 ▶



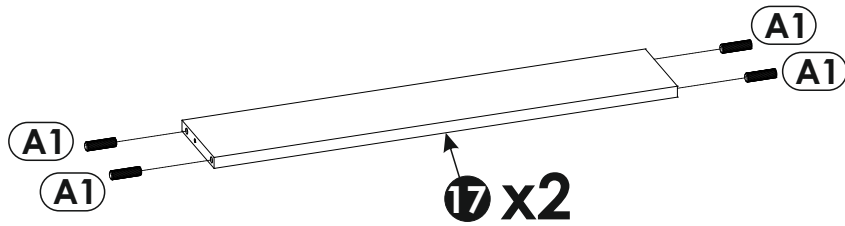
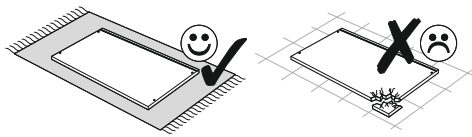
27 ▶



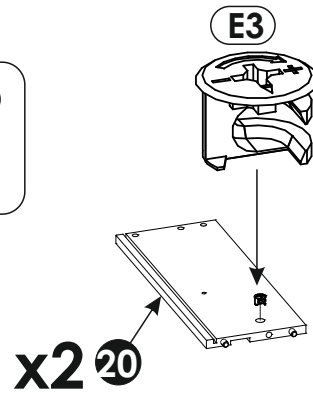
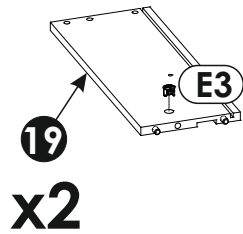
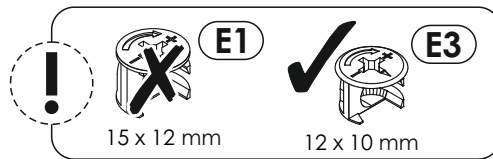
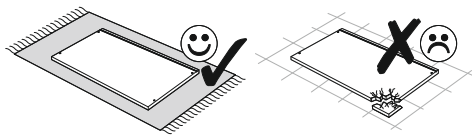
28 ▶



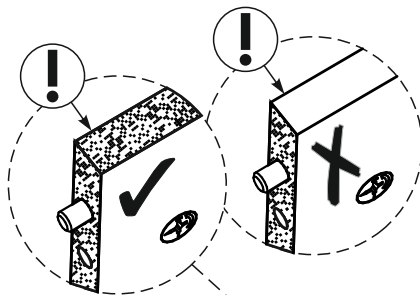
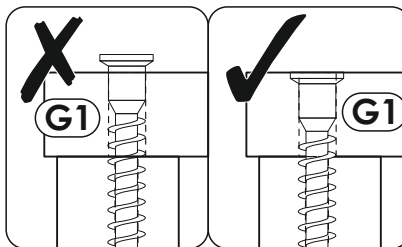
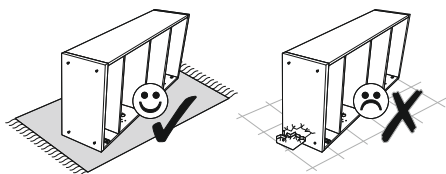
29 ▶



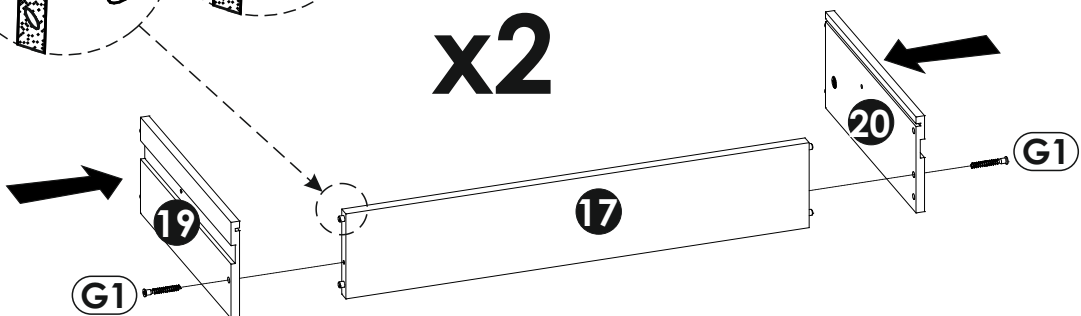
30 ▶



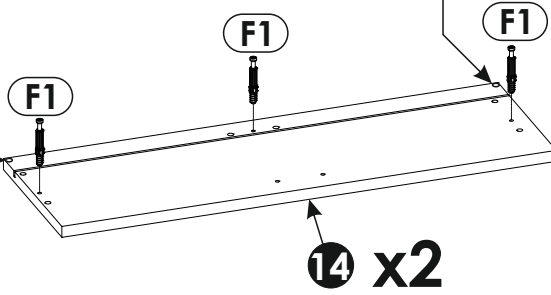
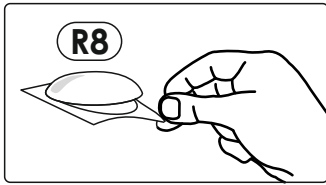
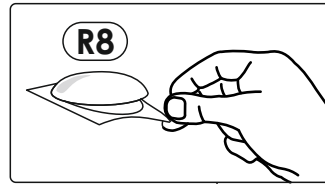
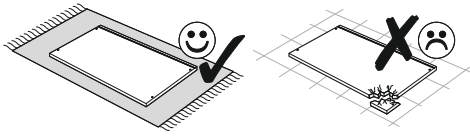
31 ▶



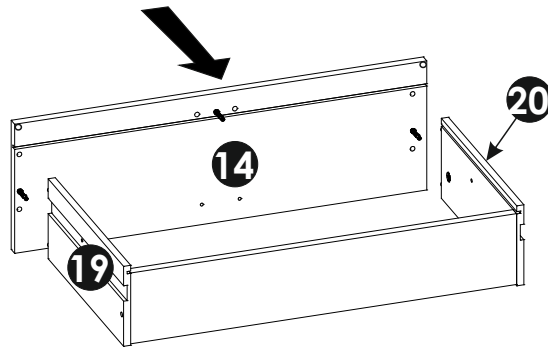
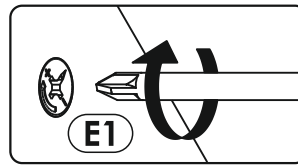
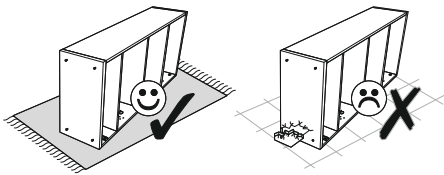
x2



32 ▶

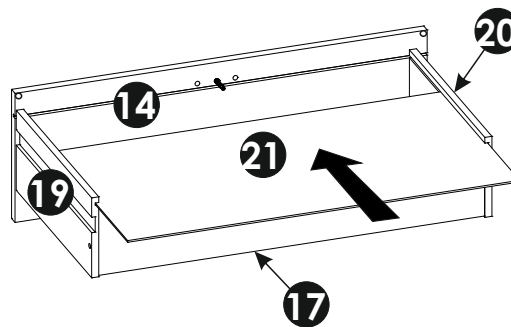
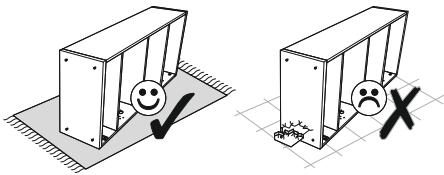


33 ▶



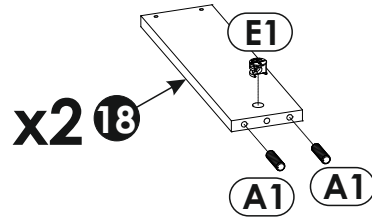
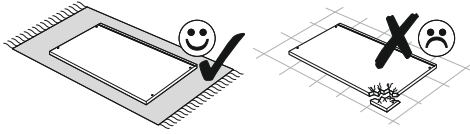
x2

34 ▶

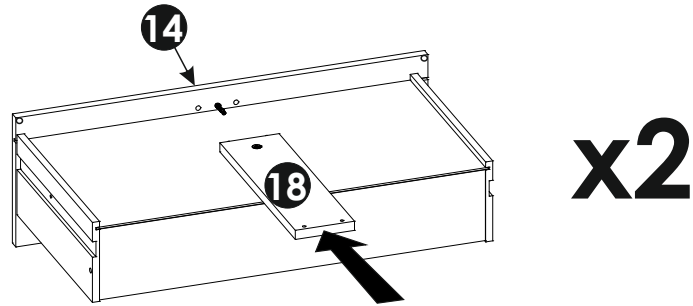
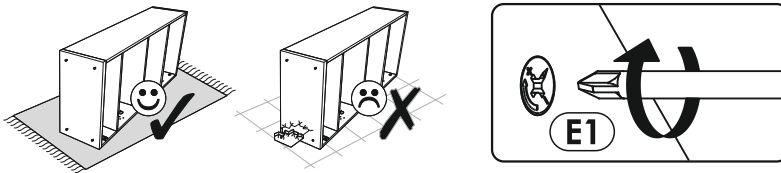


x2

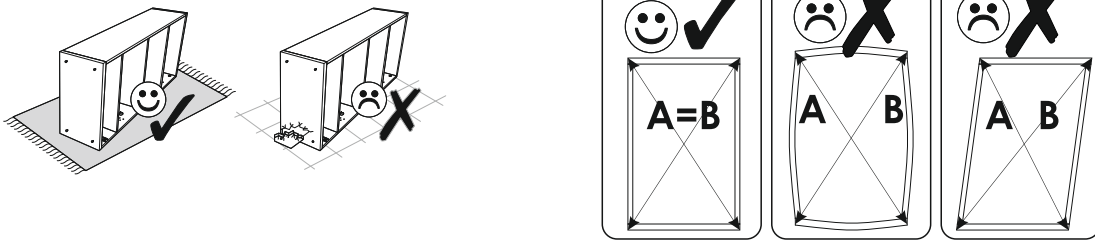
35 ▶



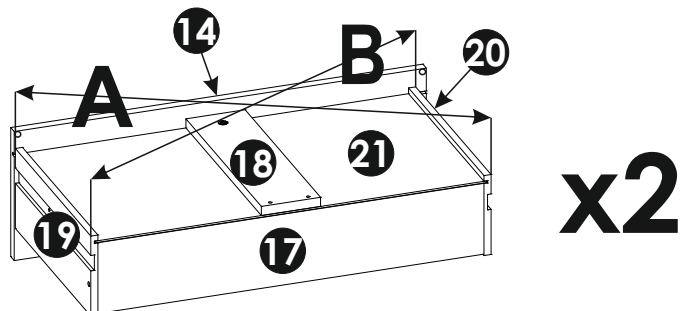
36 ▶



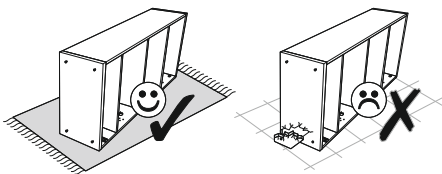
37 ▶



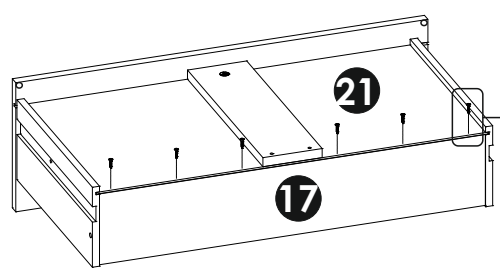
A=B



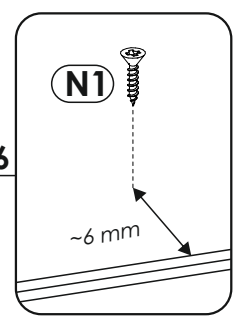
38 ▶



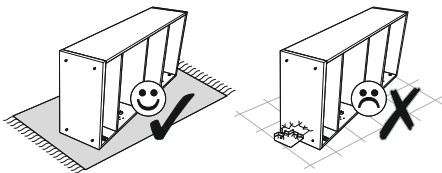
x2



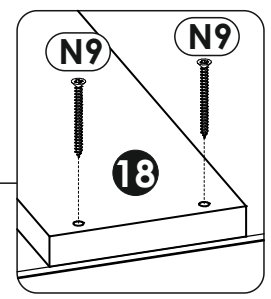
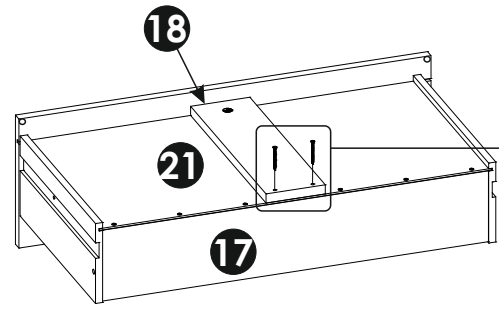
x6



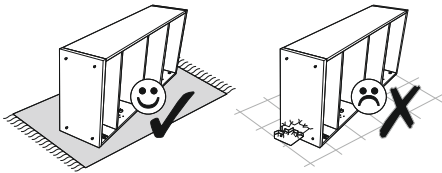
39 ▶



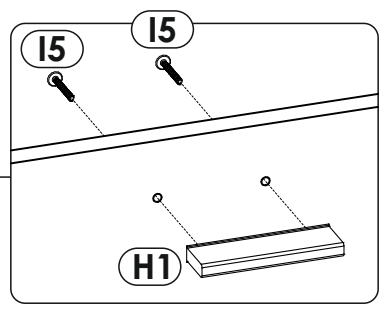
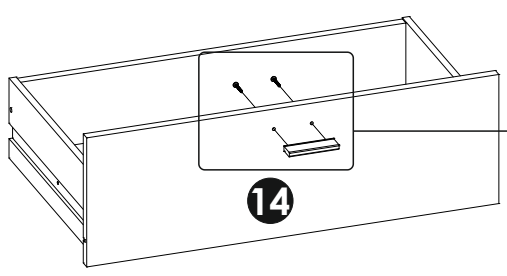
x2



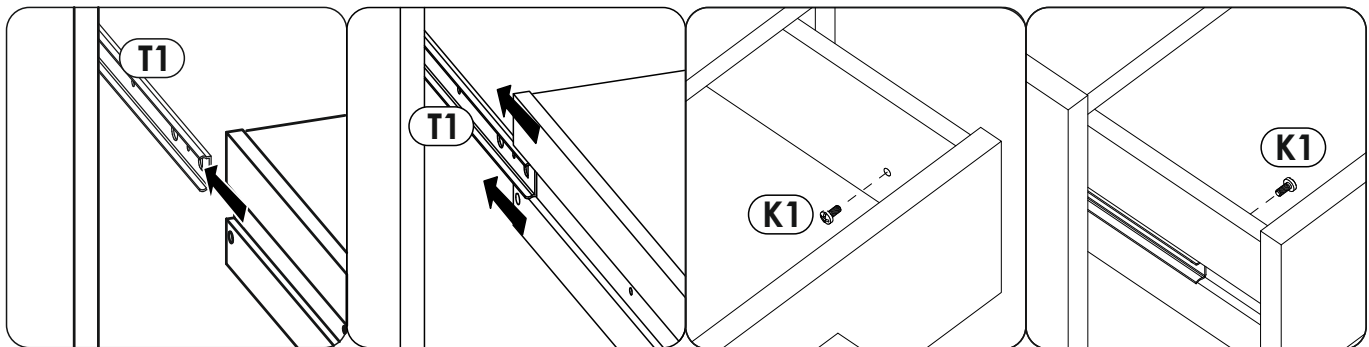
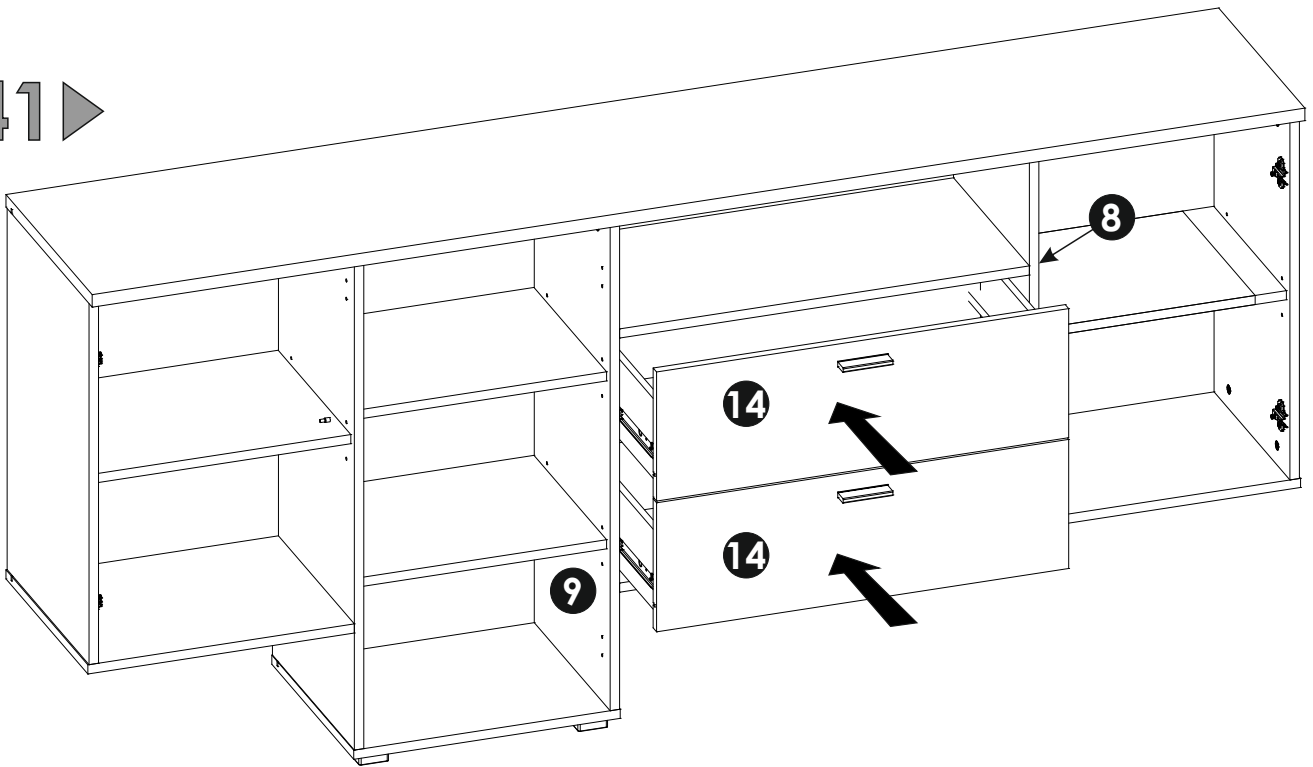
40 ▶



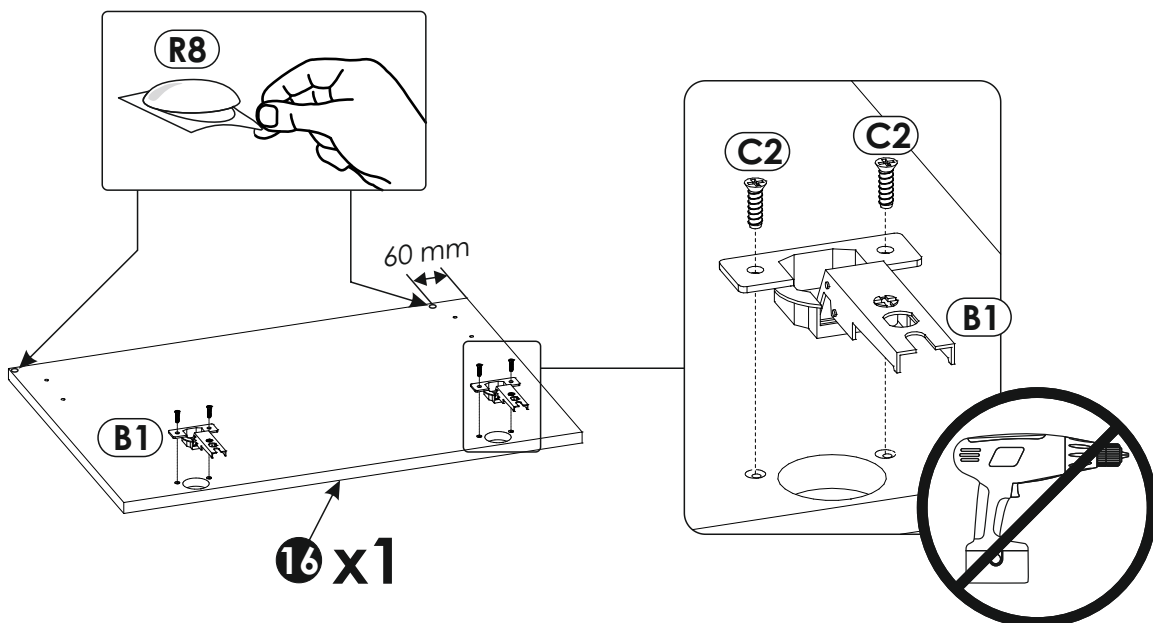
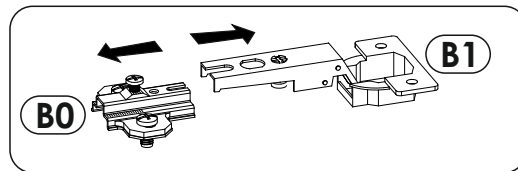
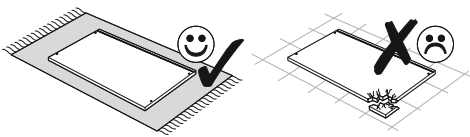
x2



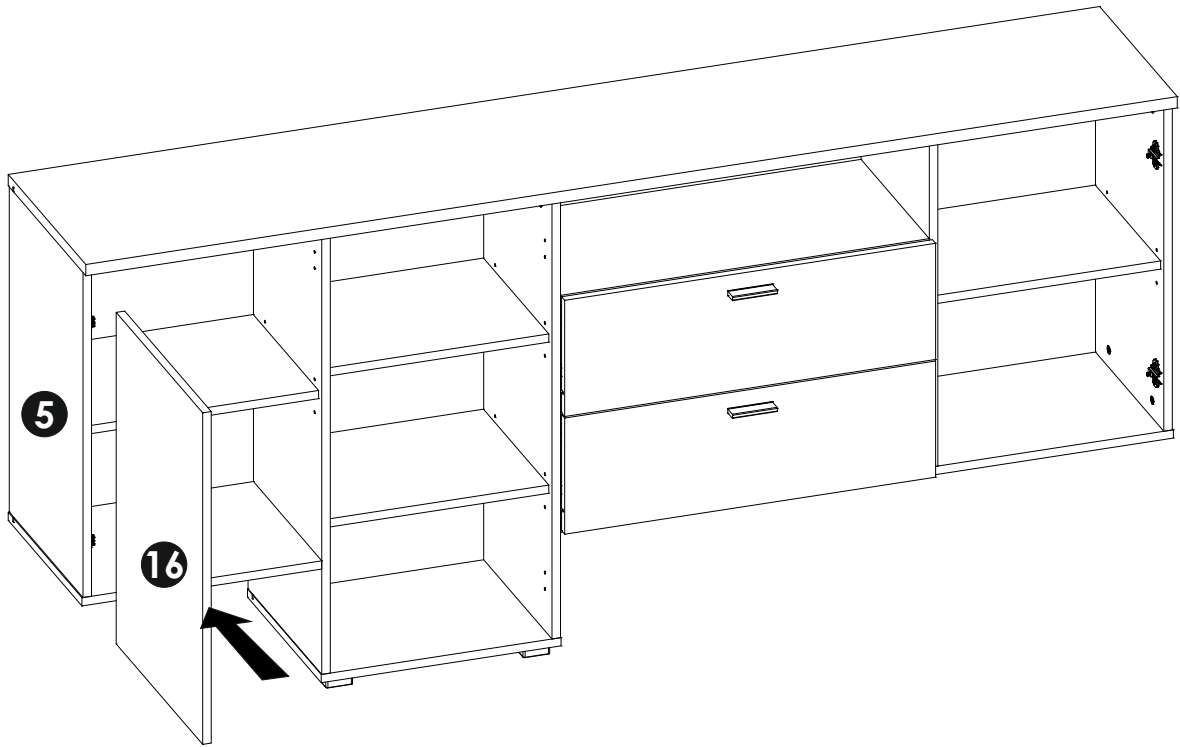
41 ▶



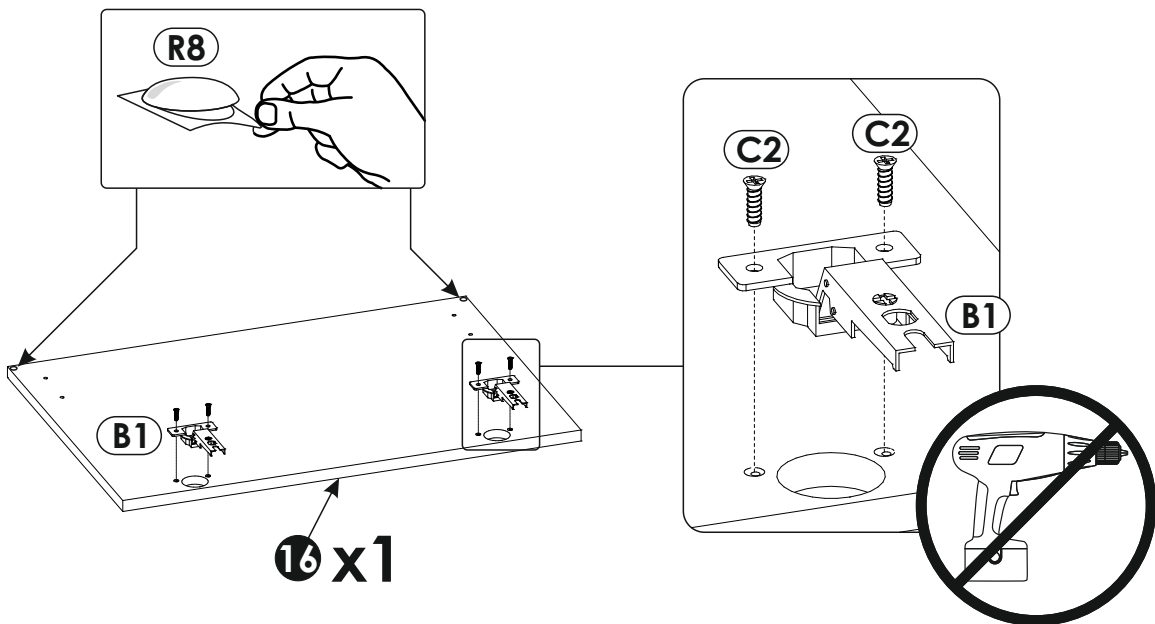
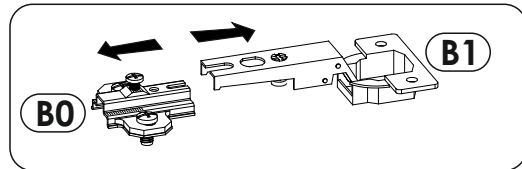
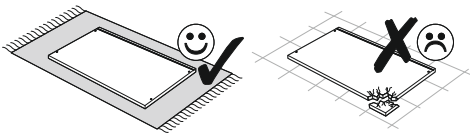
42 ▶



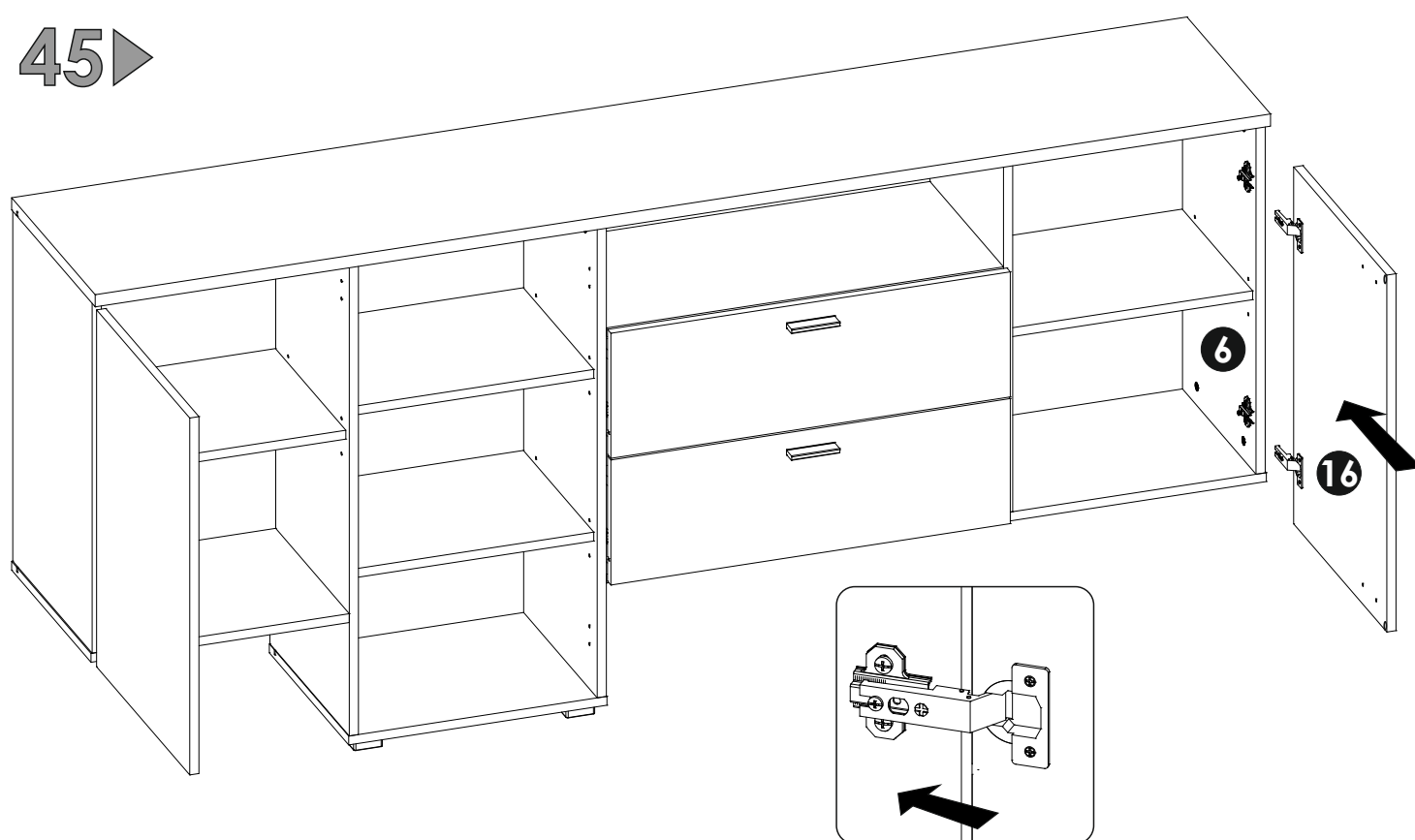
43 ▶



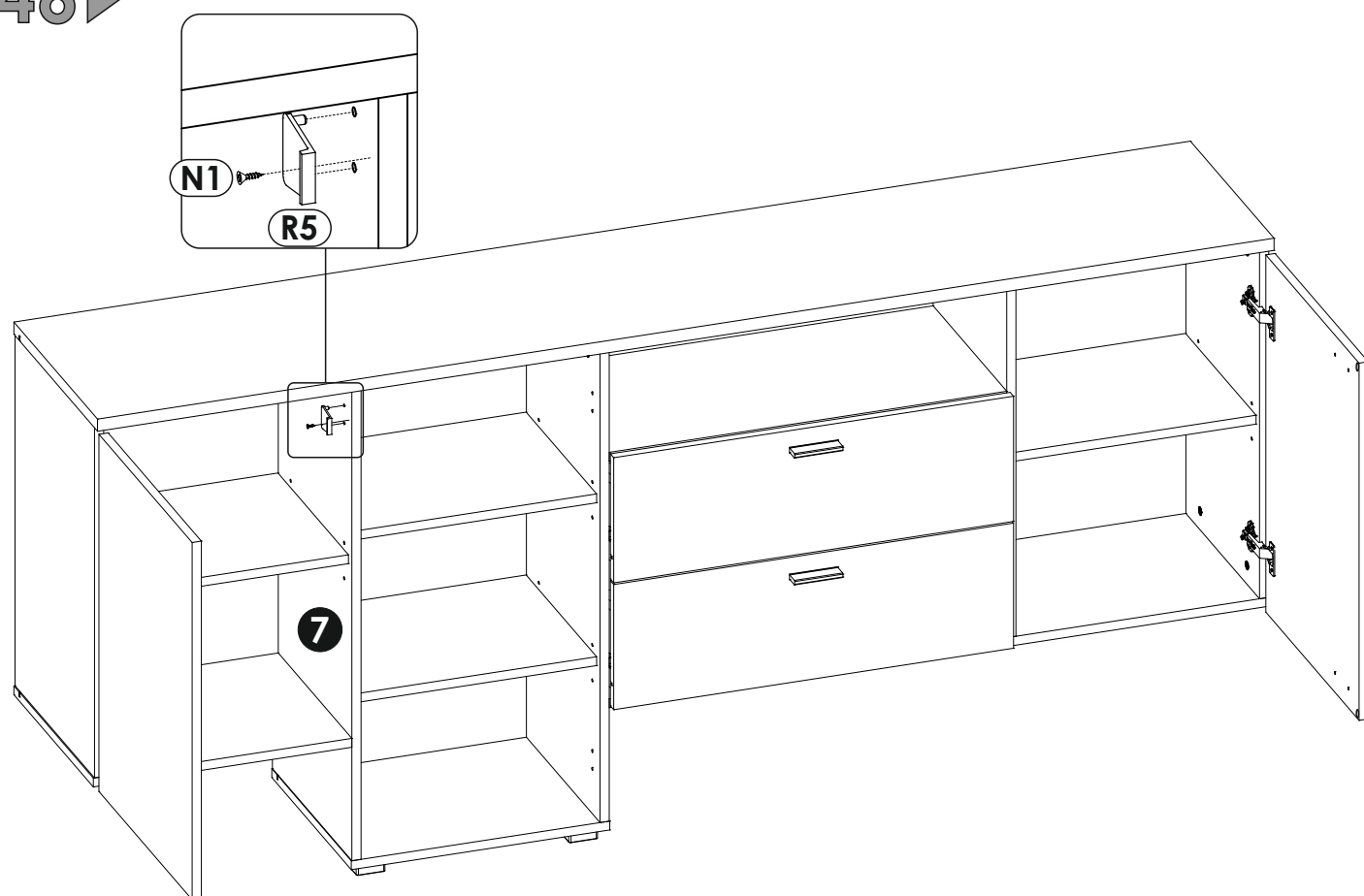
44 ▶



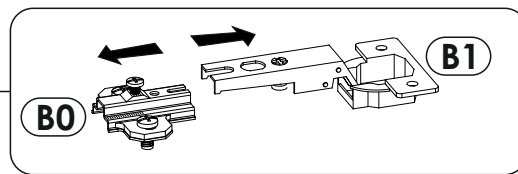
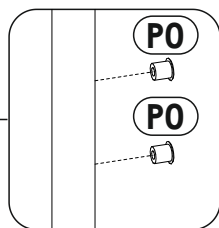
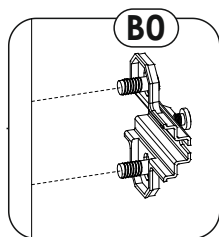
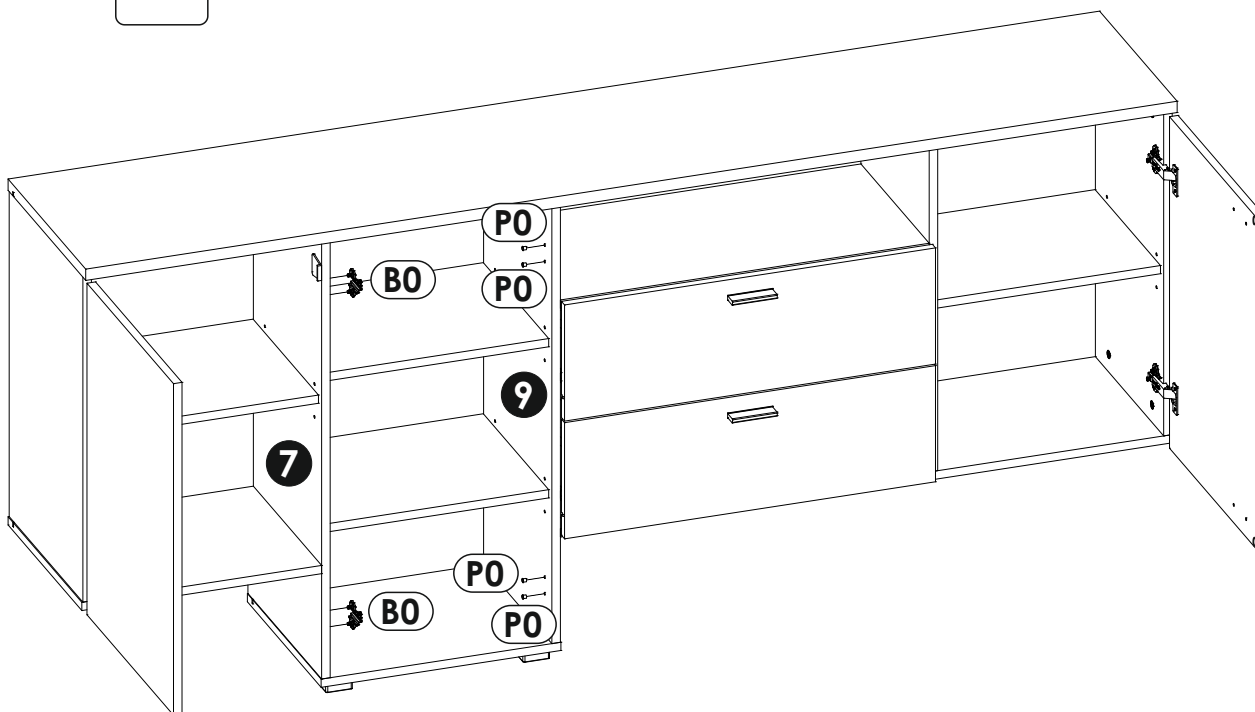
45 ▶



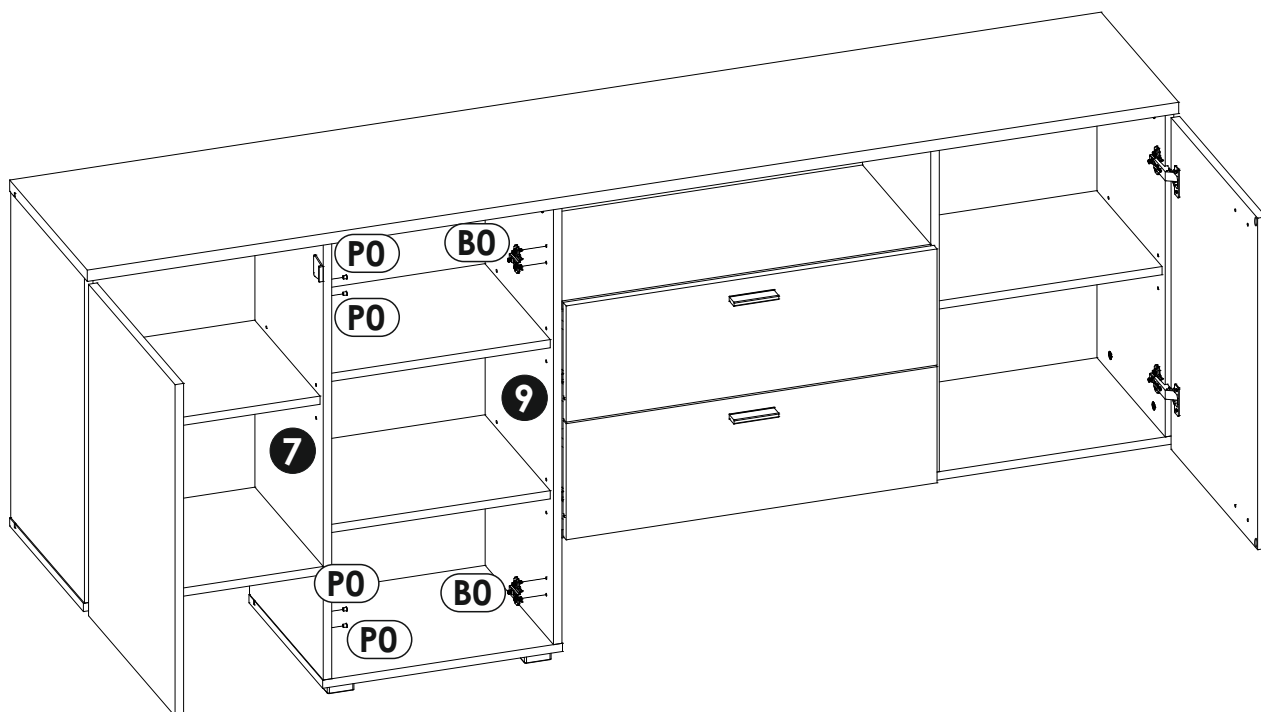
46 ▶



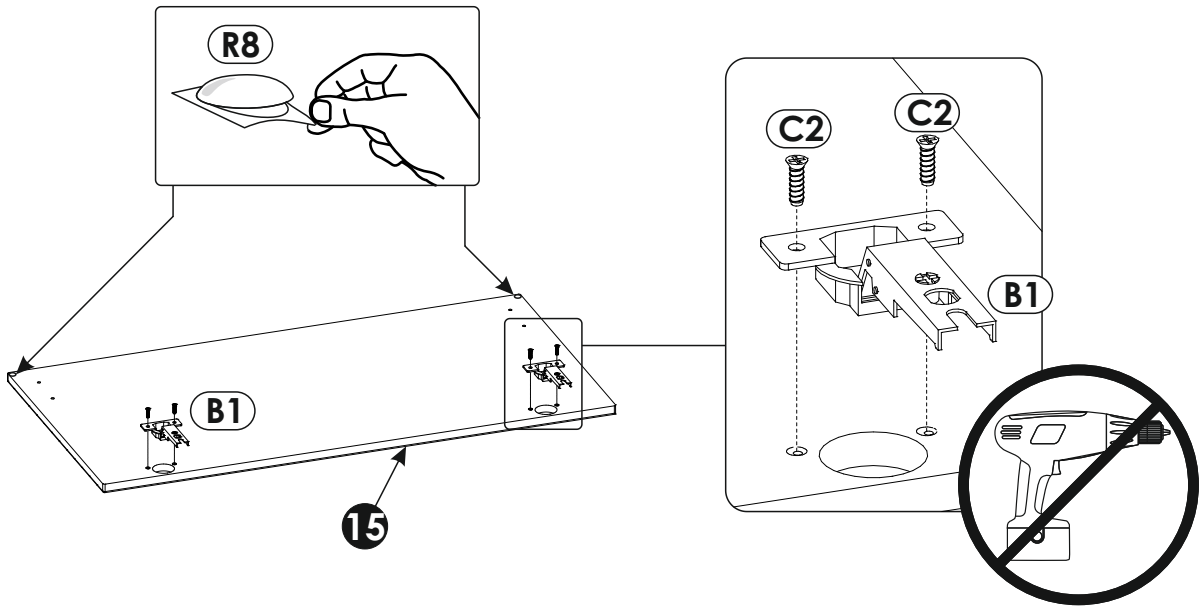
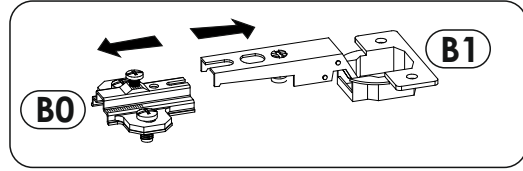
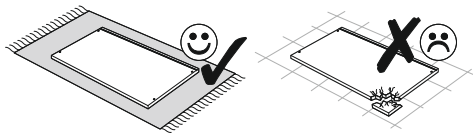
47 ▶ **L**



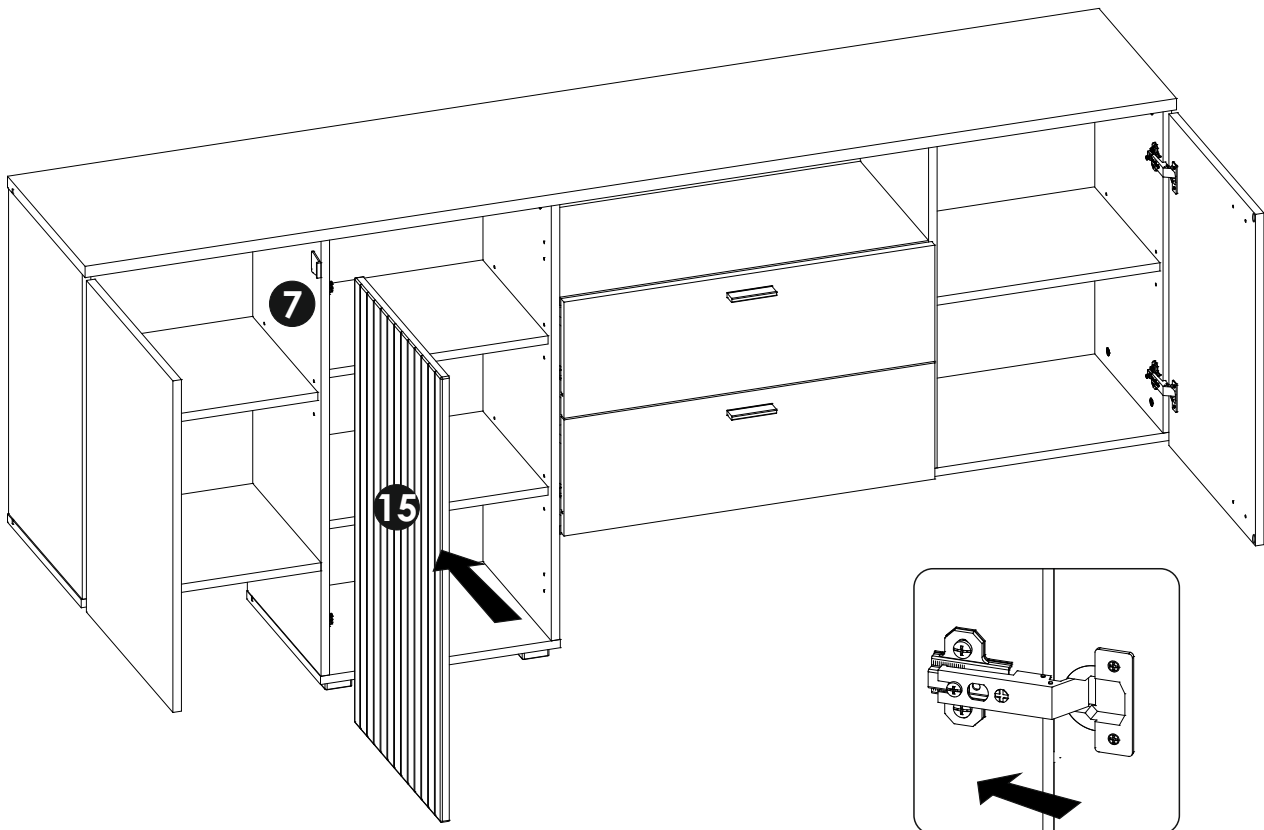
R



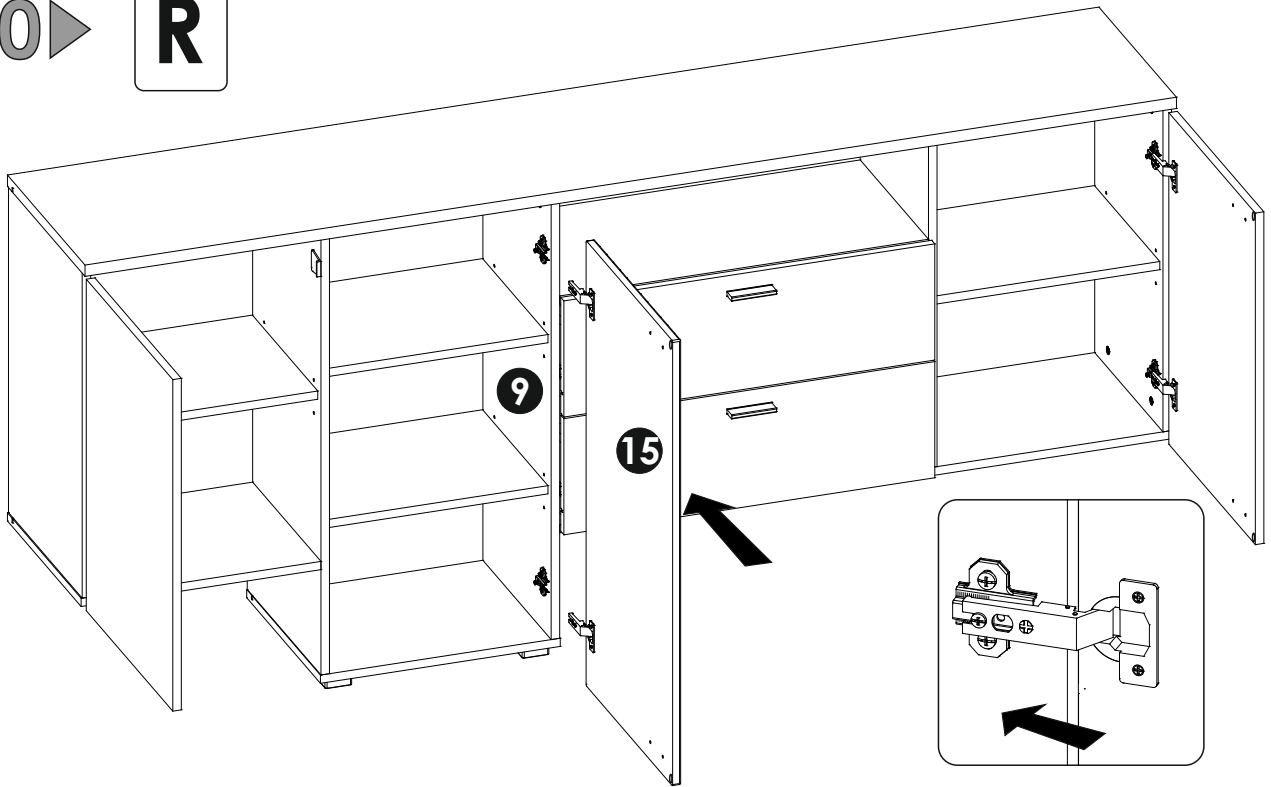
48 ▶



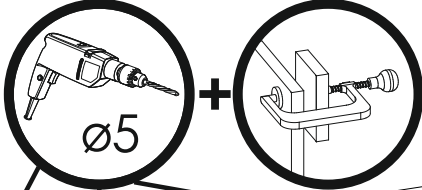
49 ▶

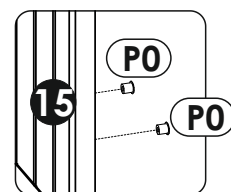
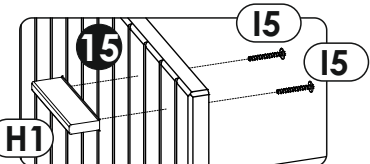
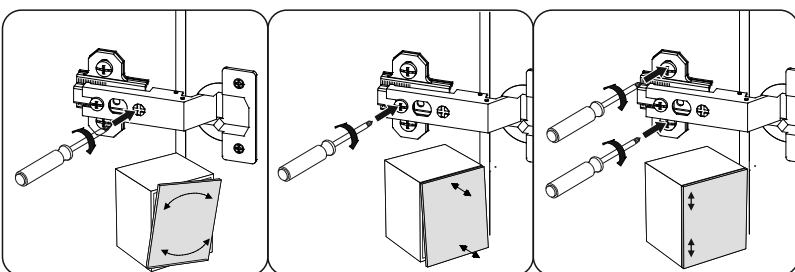
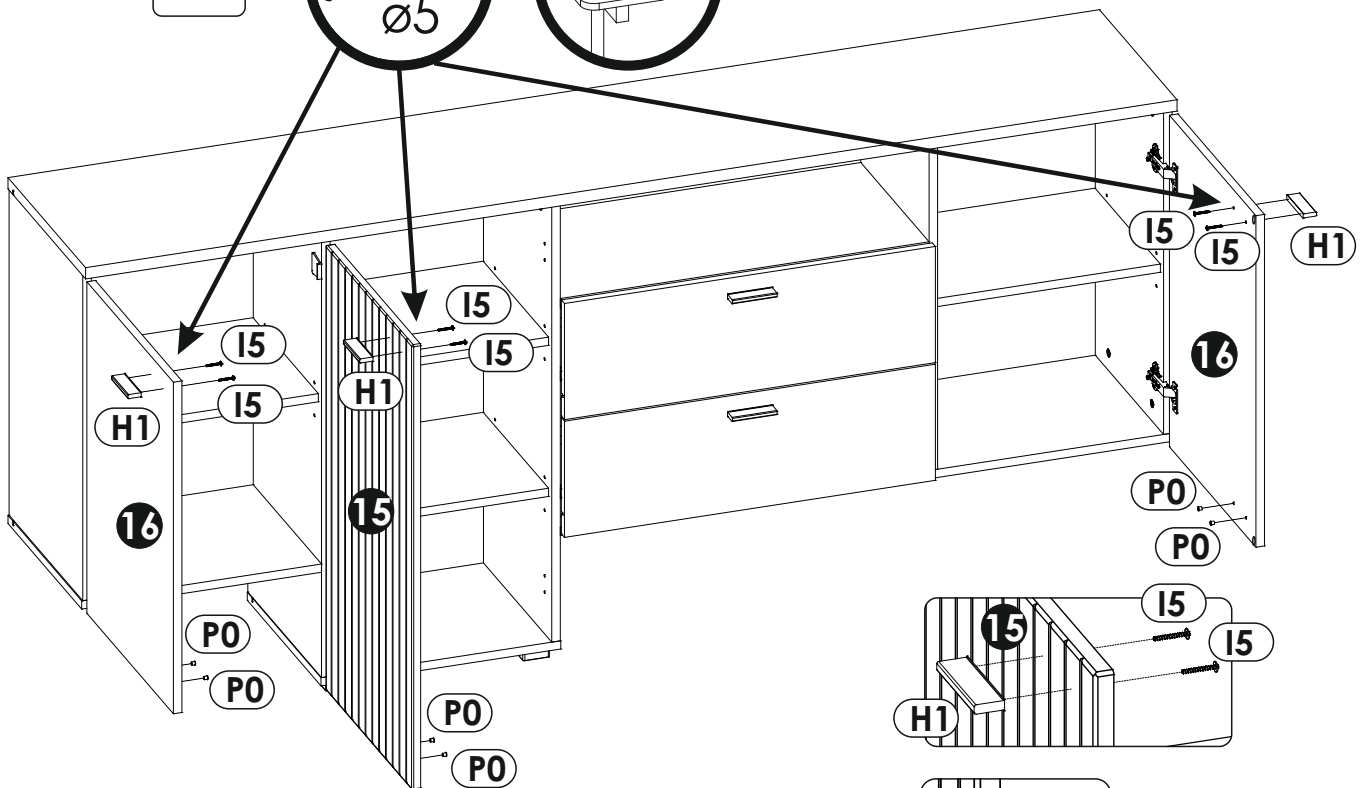


50 ▶ **R**



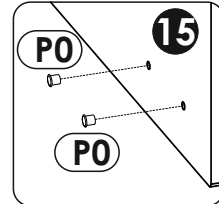
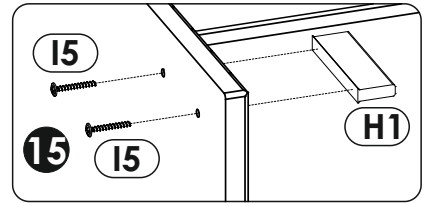
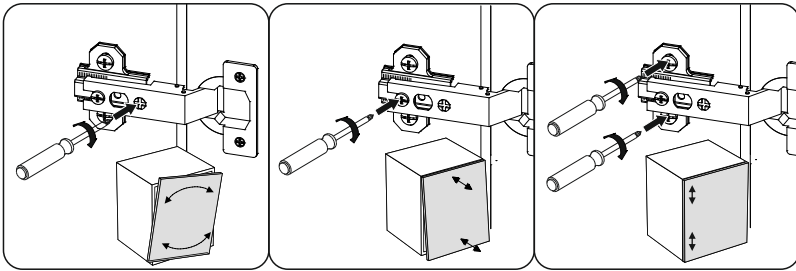
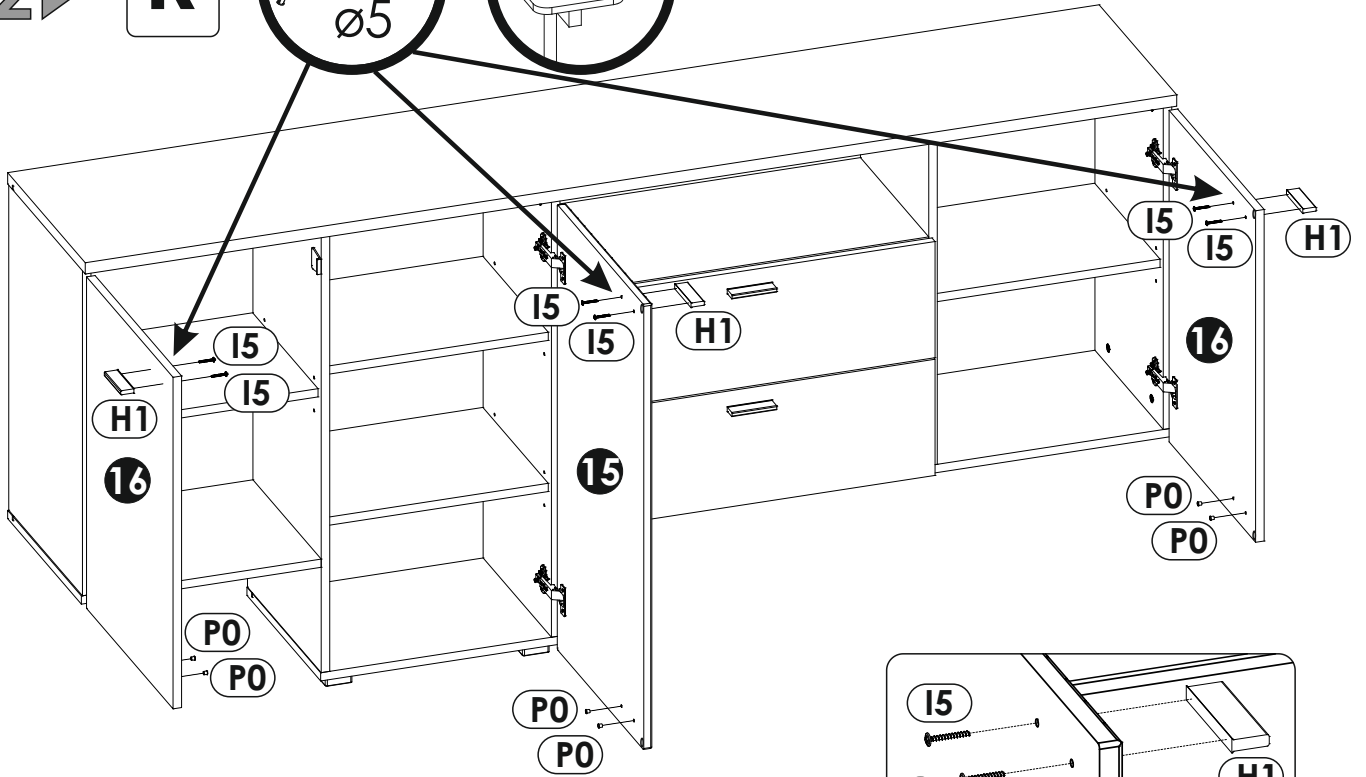
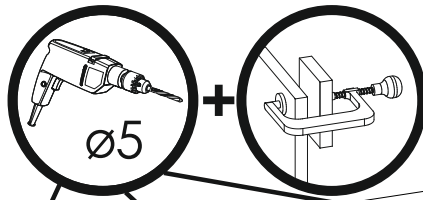
51 ▶ **L**





52 ▶

R



53 ▶

