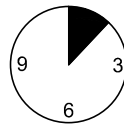
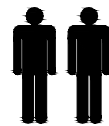
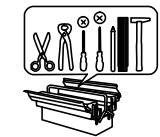
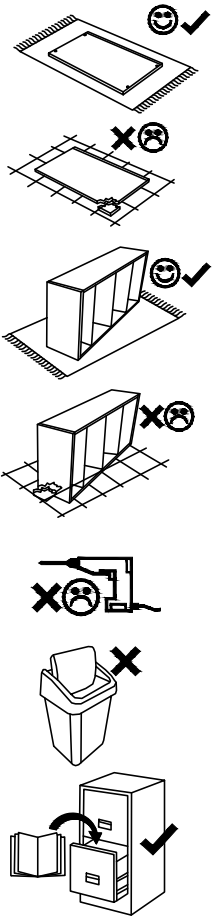
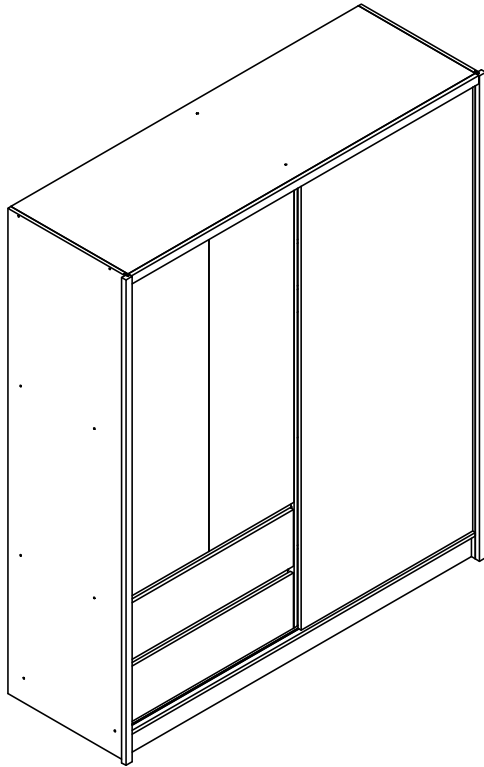
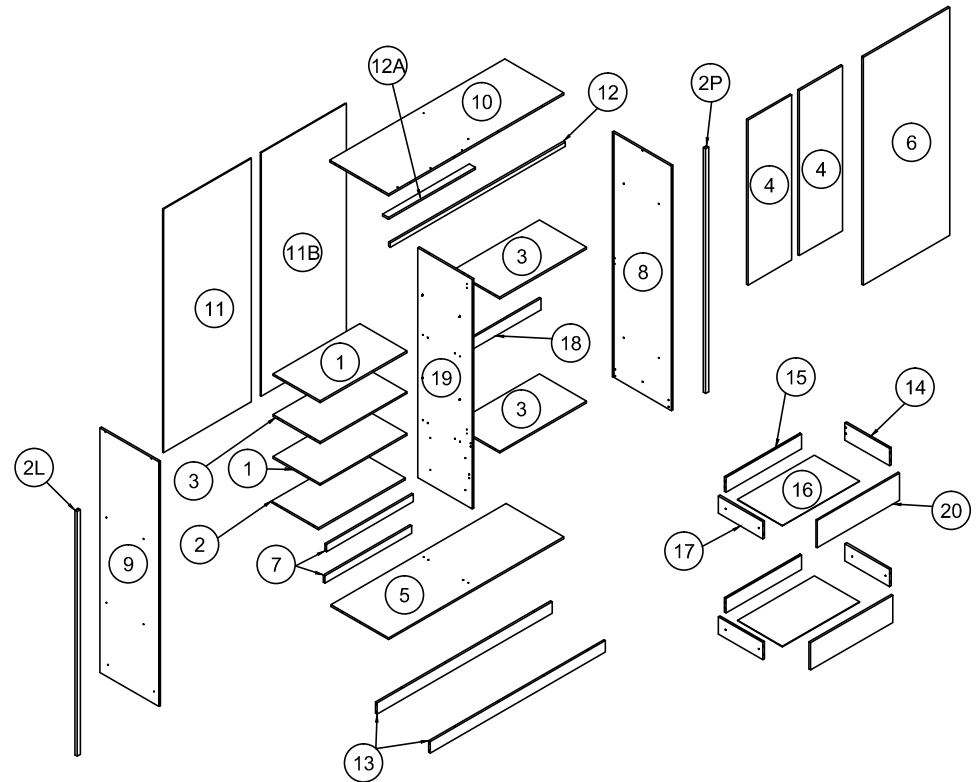
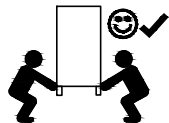


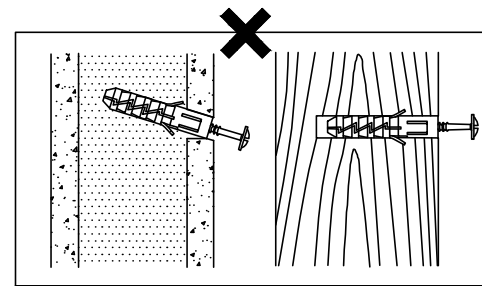
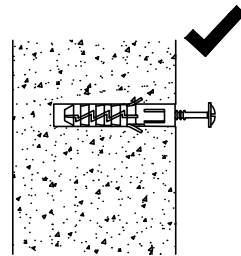
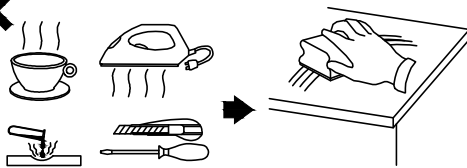
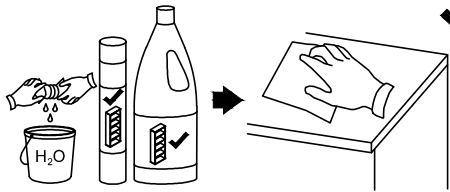
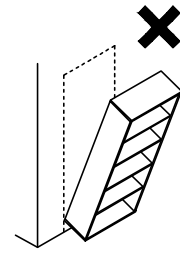
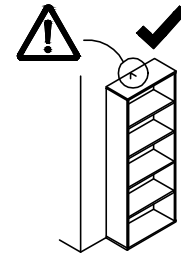
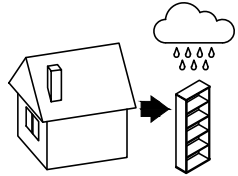
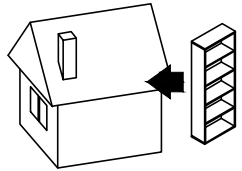
130

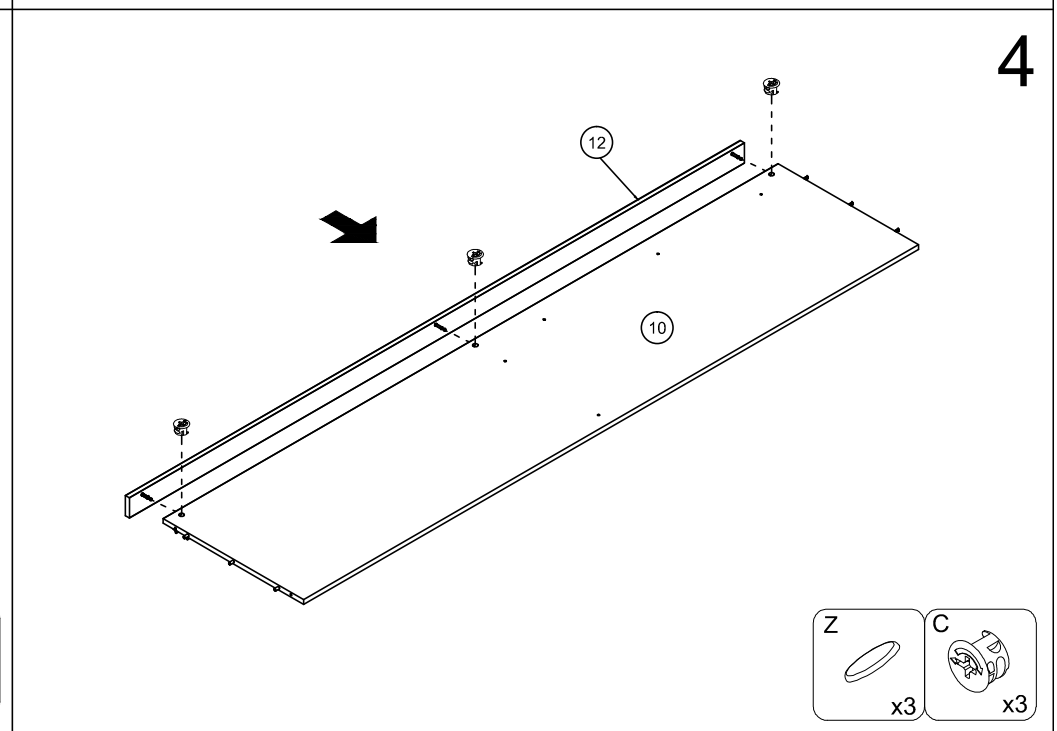
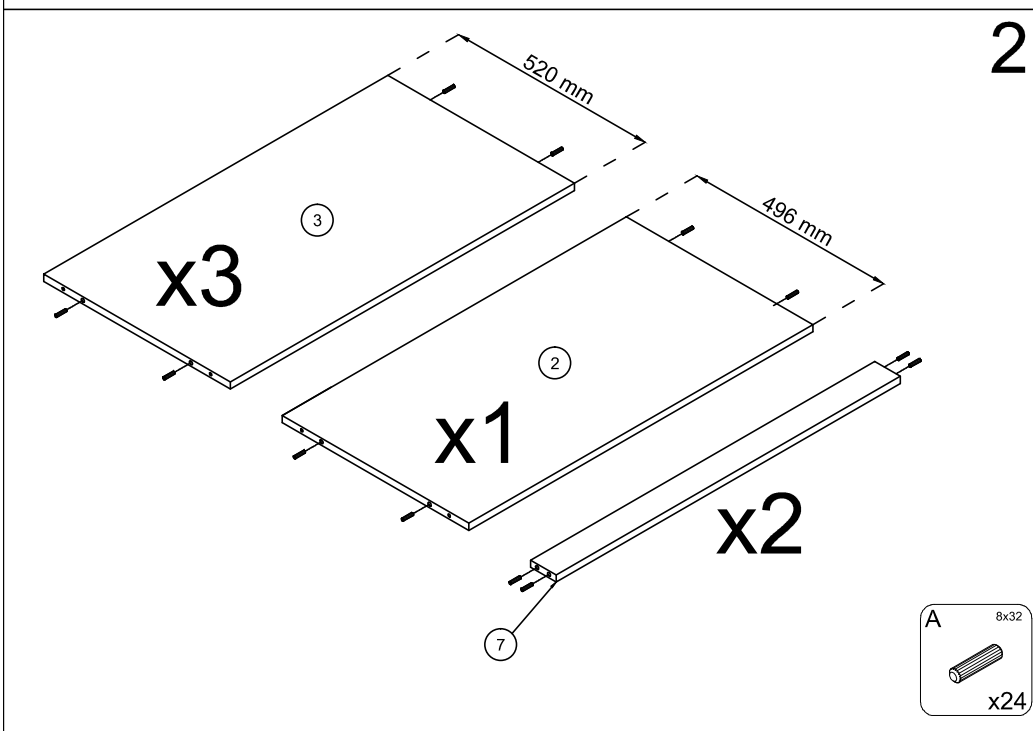
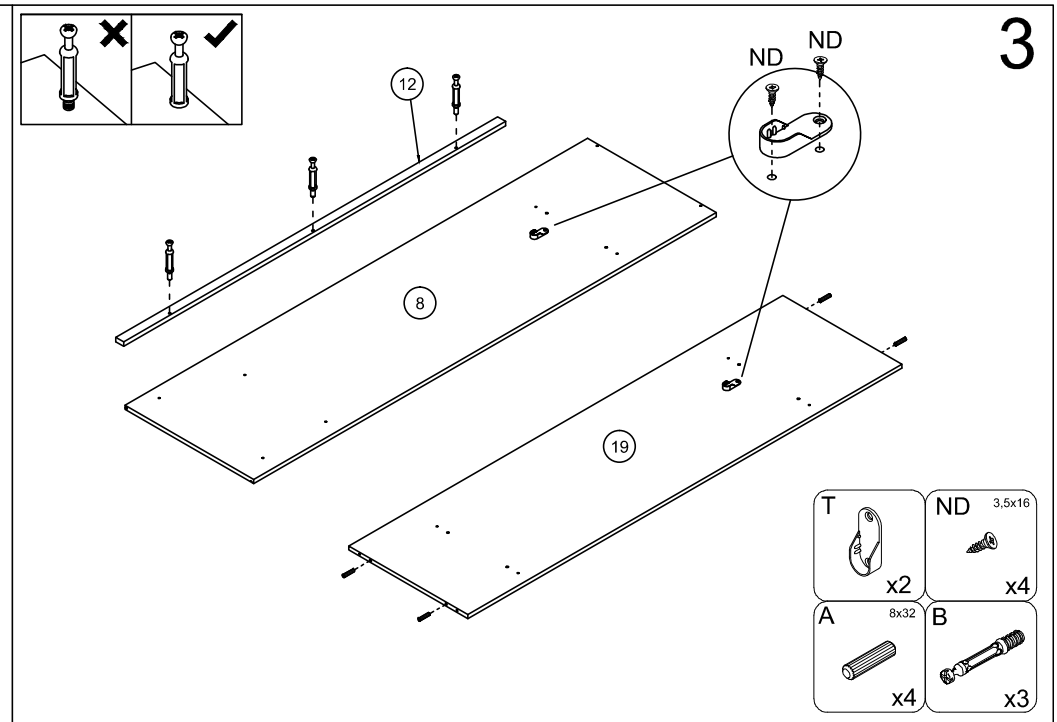
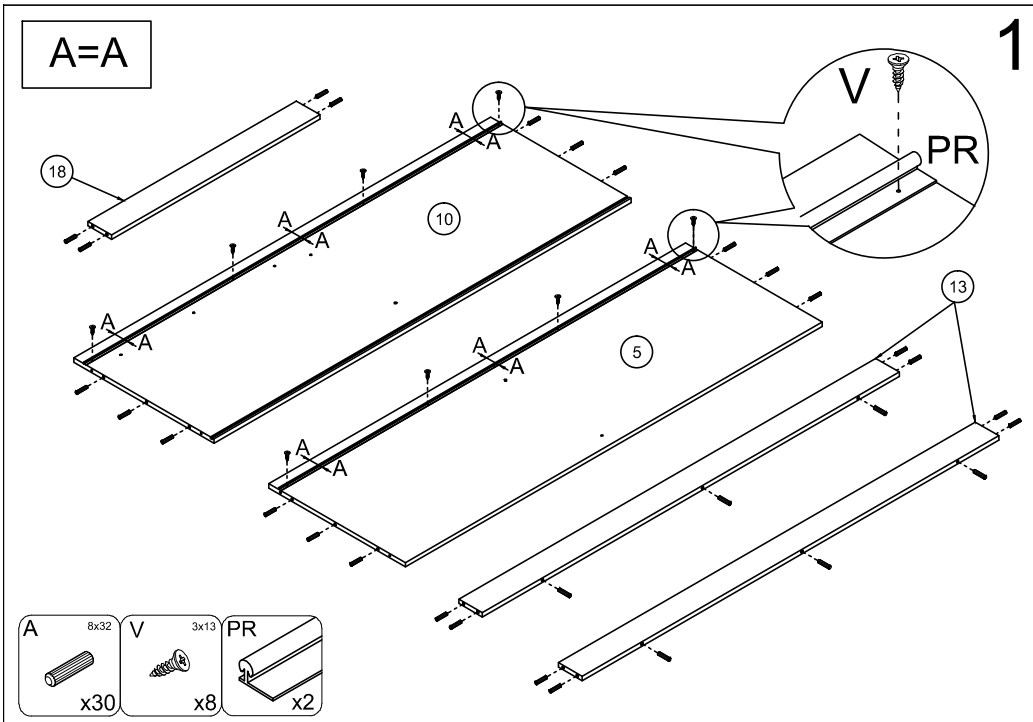


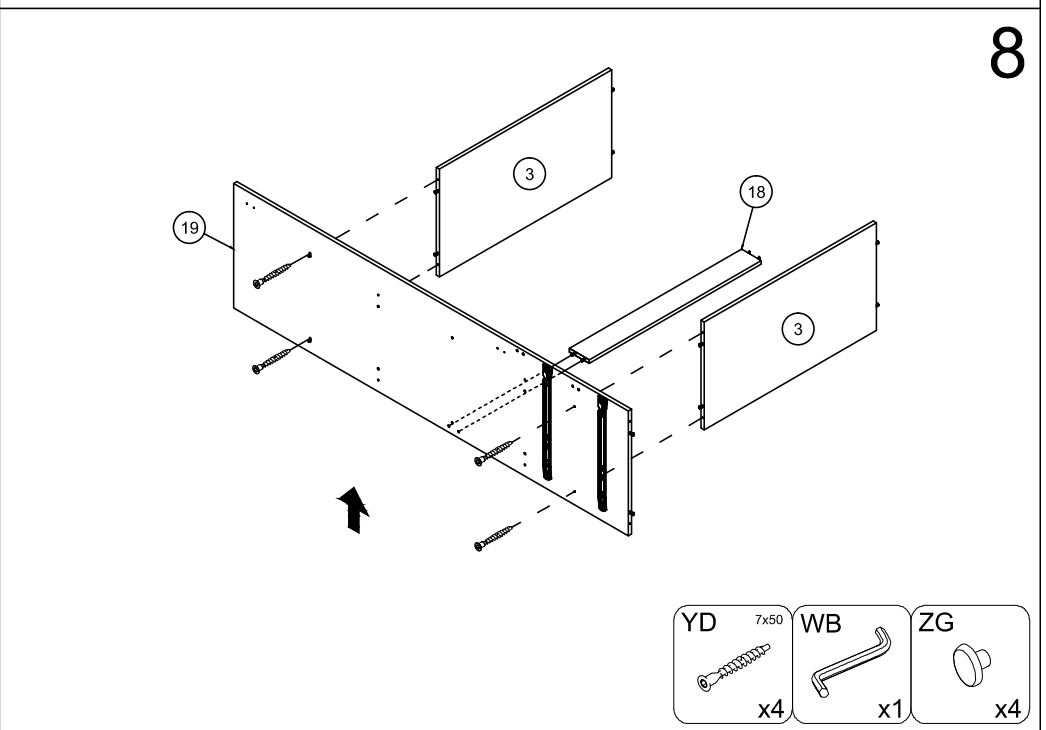
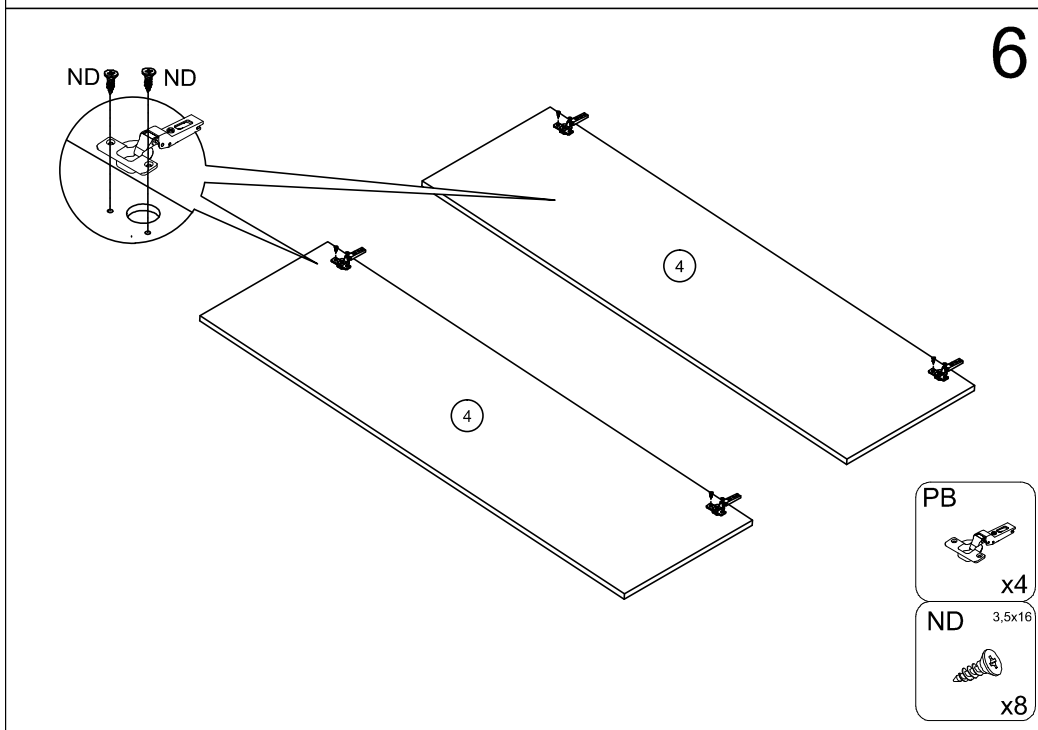
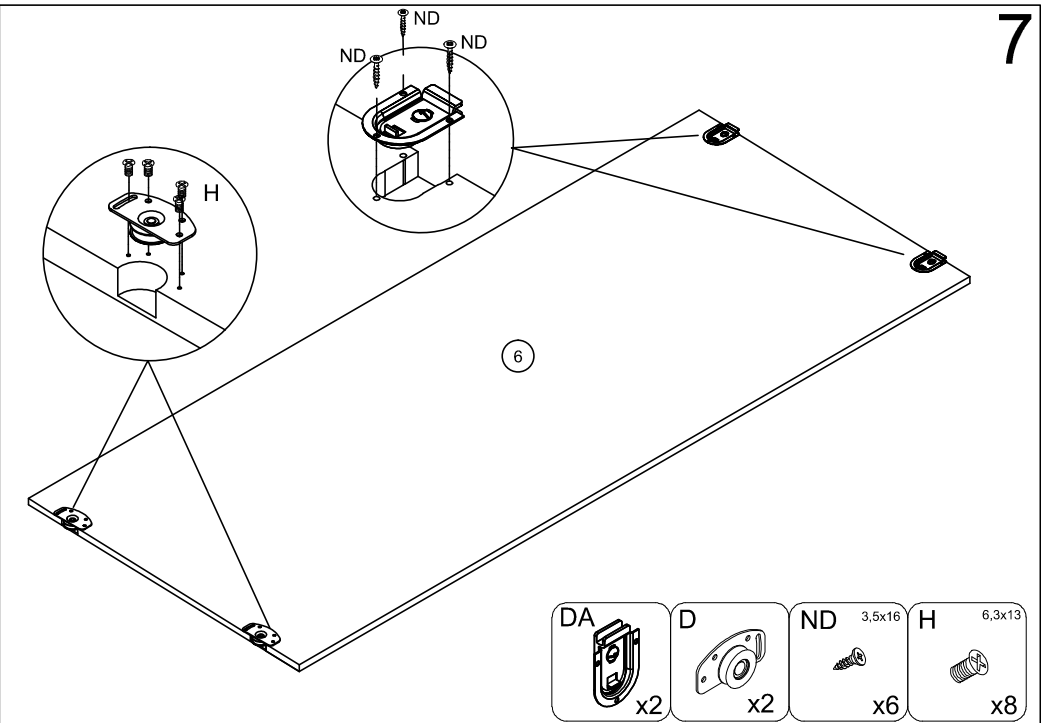
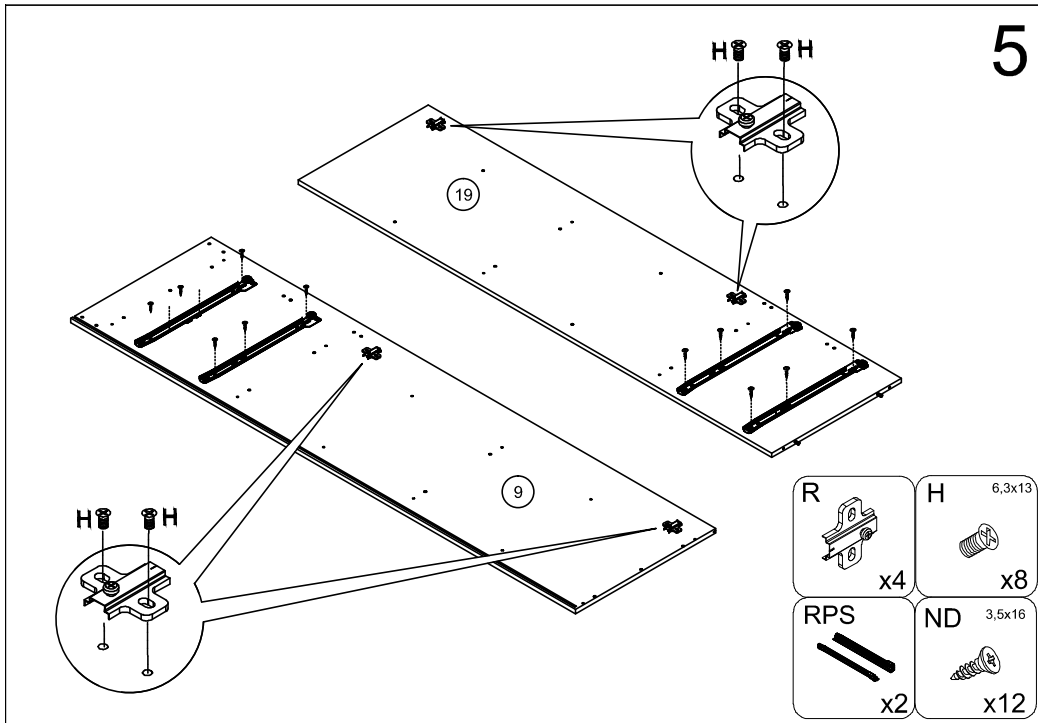
90 min.

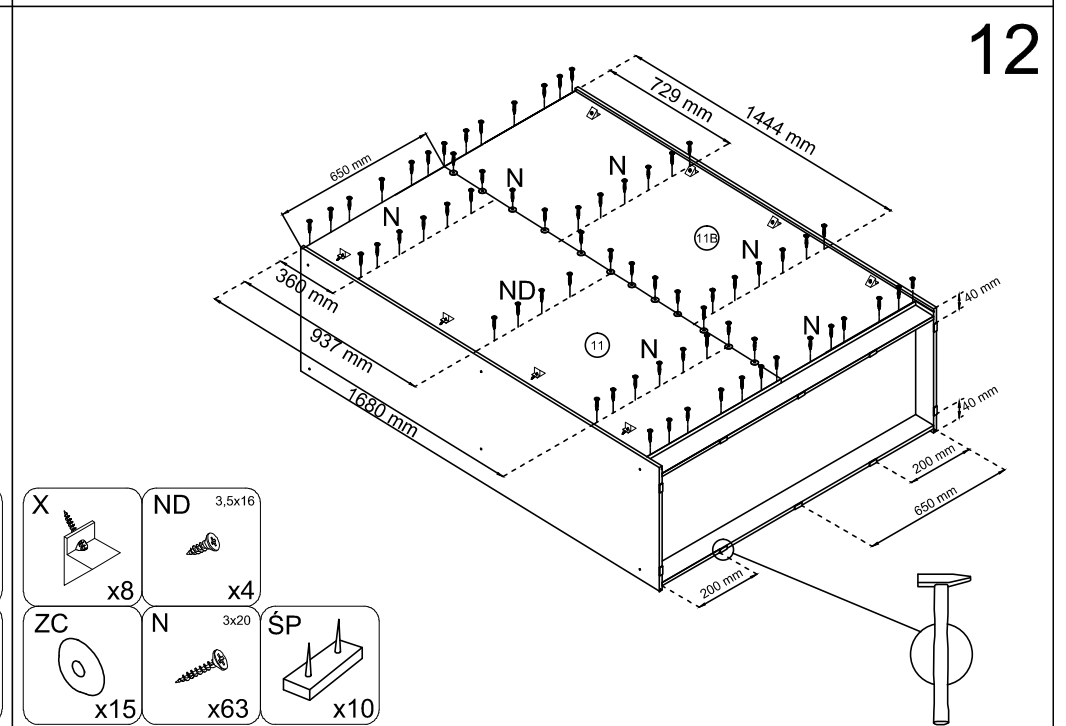
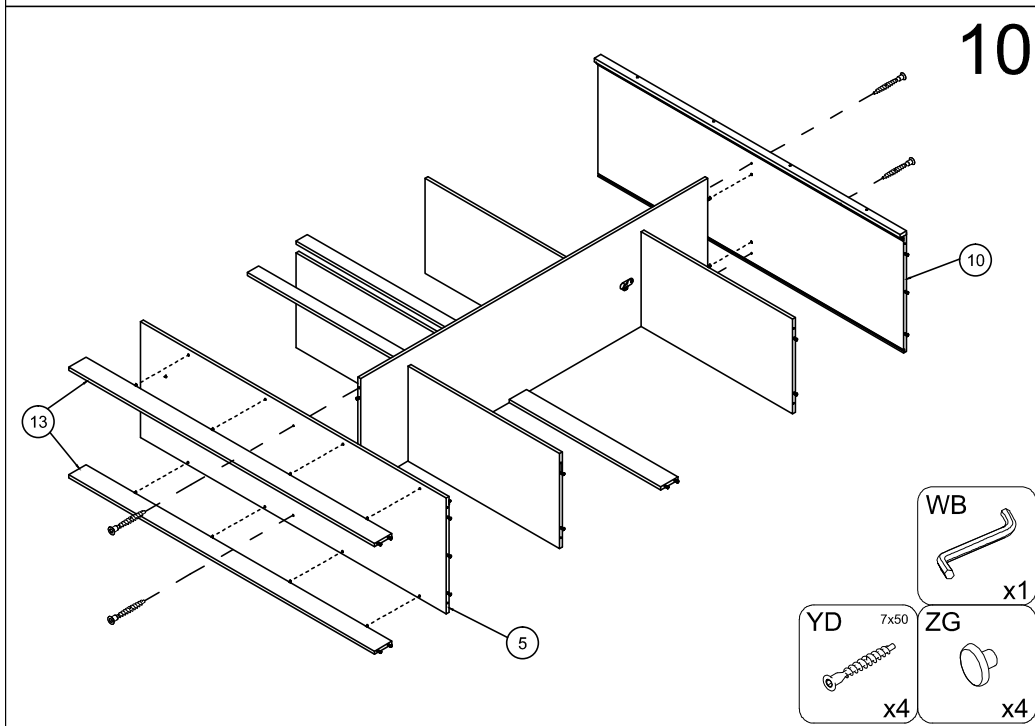
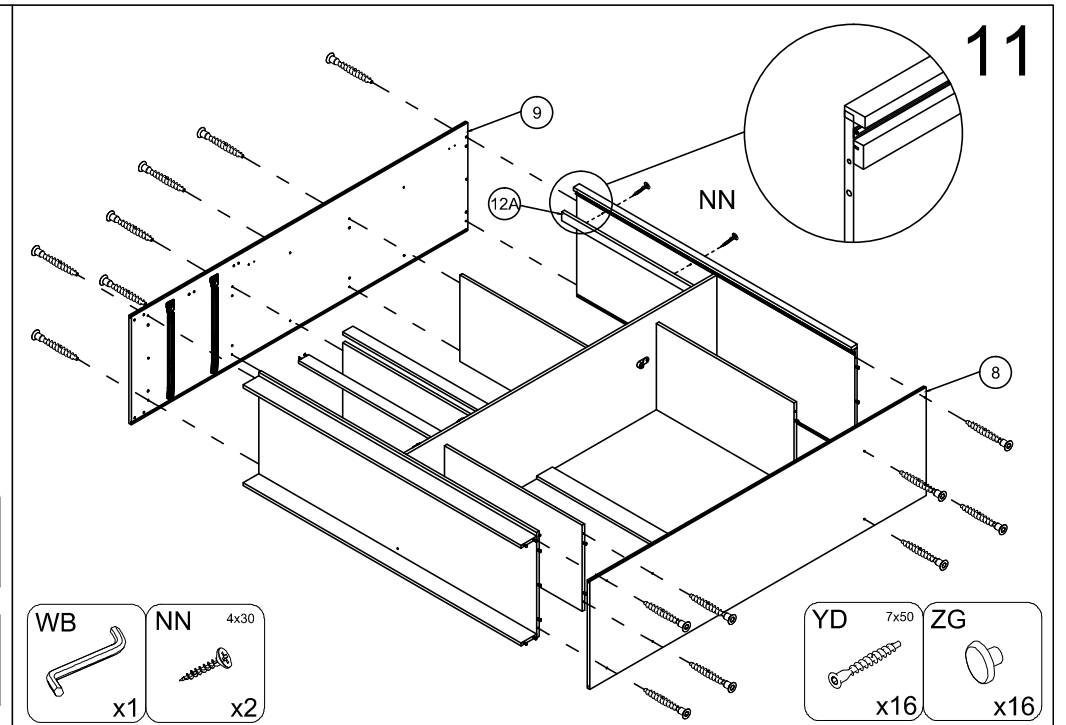
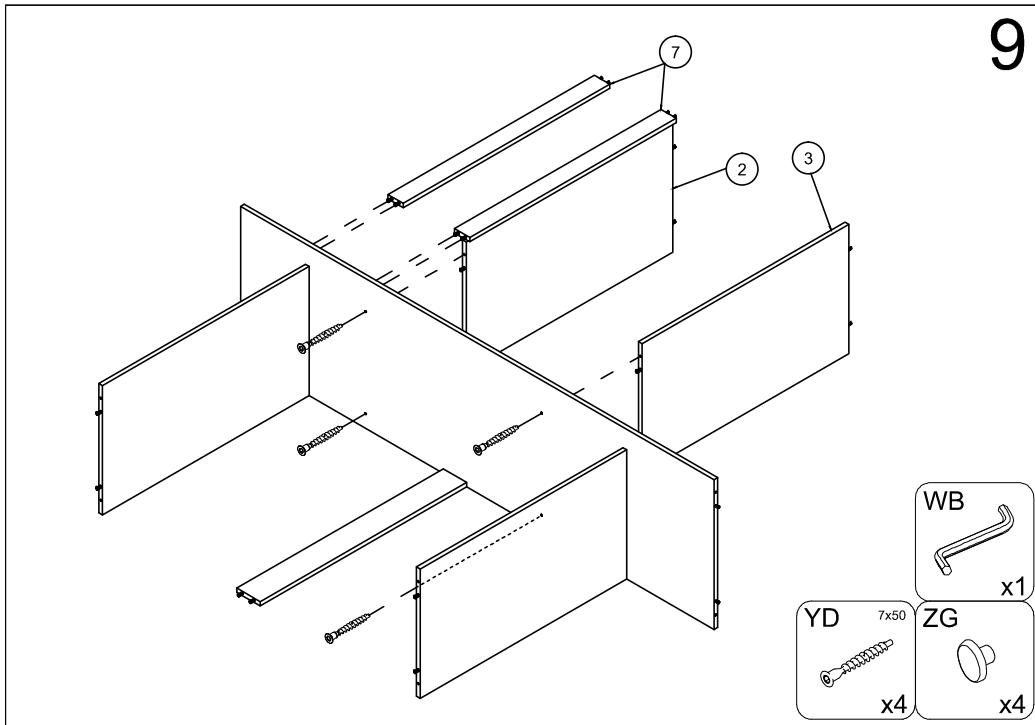


			PR	U	NN	WZ	RPS
			L-1983mm	4x30			
			x2	x2	x2	x2	x2
PB	ŚP	DB	ZG	V	ND	YD	N
x4	x10	L-1983mm	x28	3x13	3,5x16	7x50	3x20
		x2		x8	x50	x28	x71
LM	H	X	W6	WB	R	ZC	
x12	6,3x13	x8	L-648 mm	x1	x4	x1	x15
	x16						
ZB	A	B	C	Z	T	DA	D
x8	8x32	x11	x11	x7	x2	x2	x2
	x74						

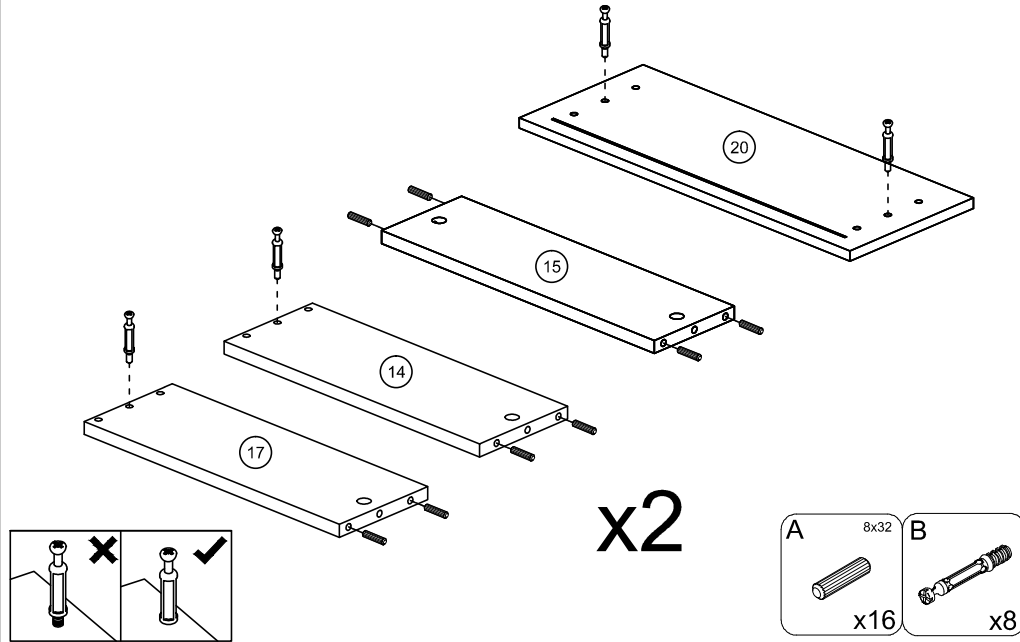




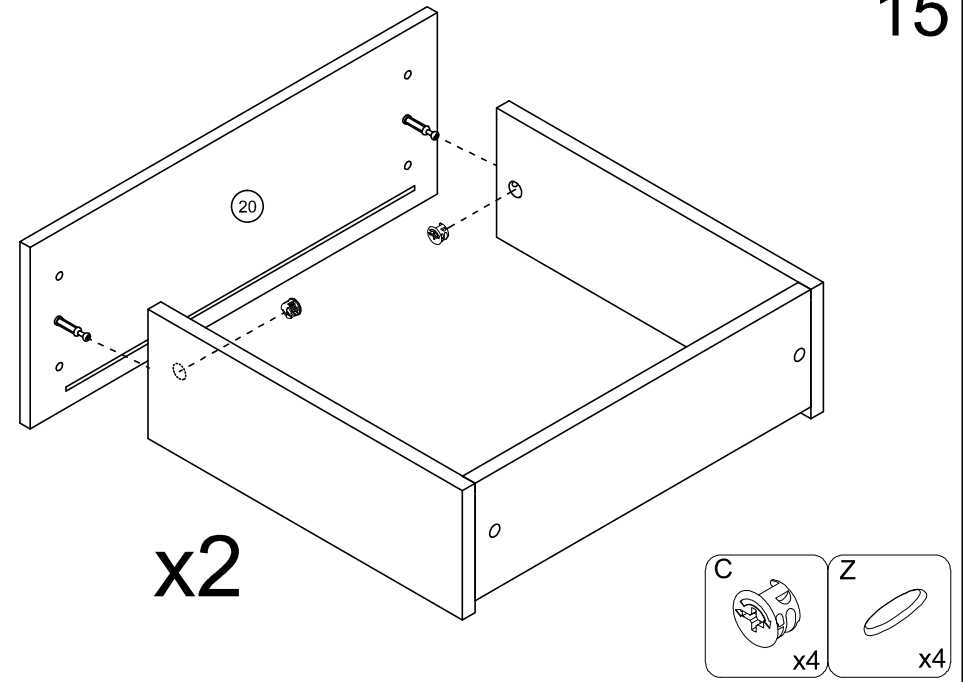




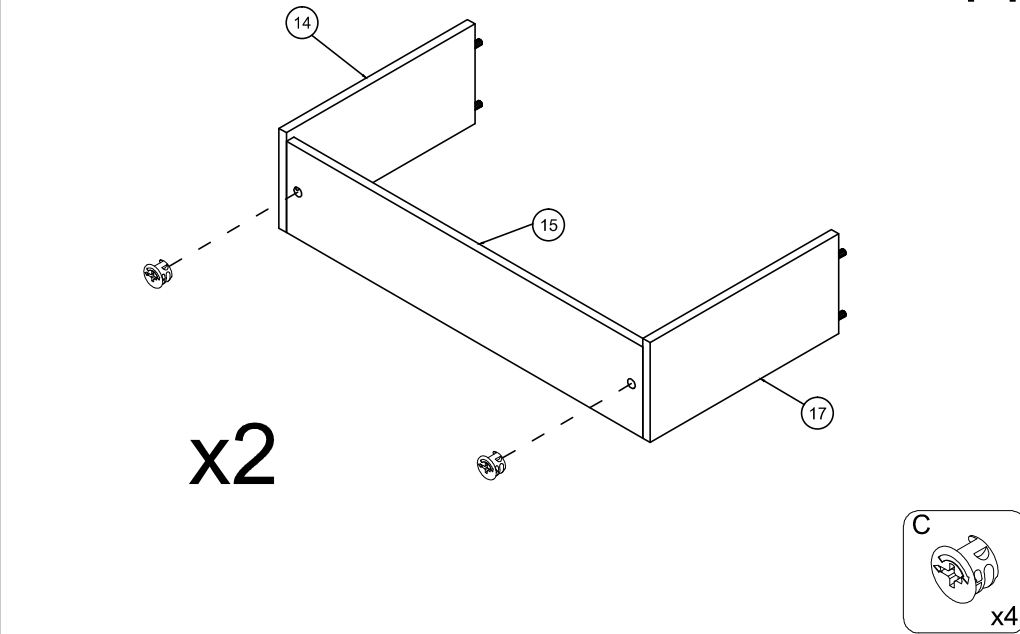
13



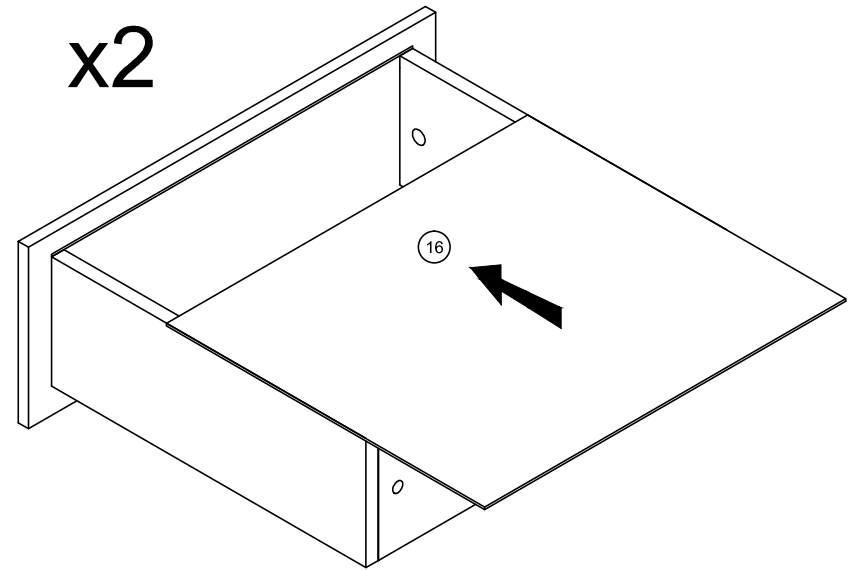
15



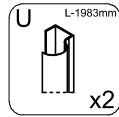
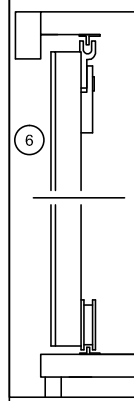
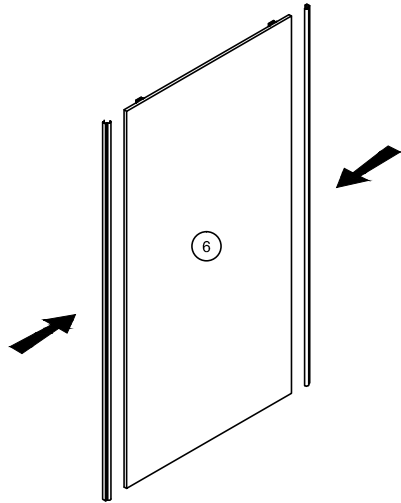
14



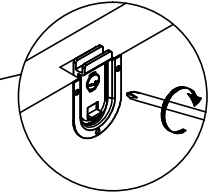
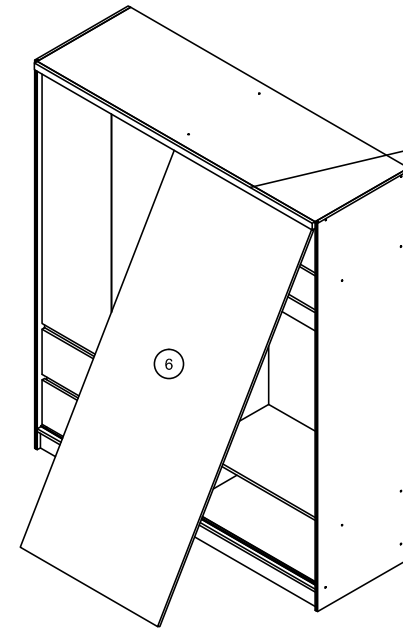
16



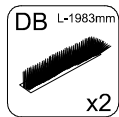
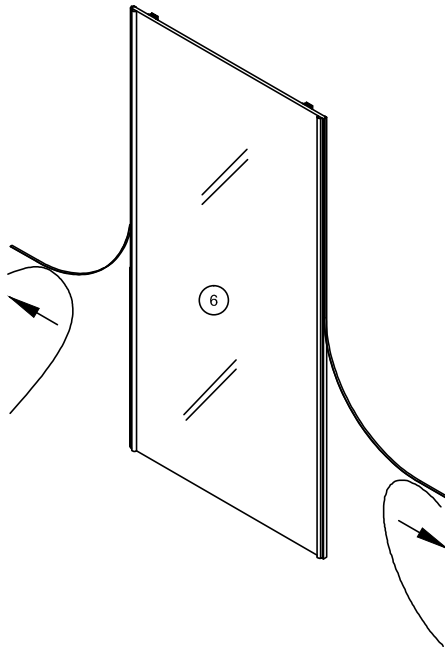
21



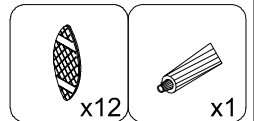
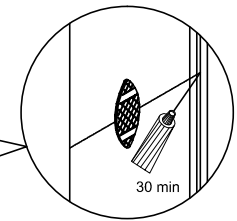
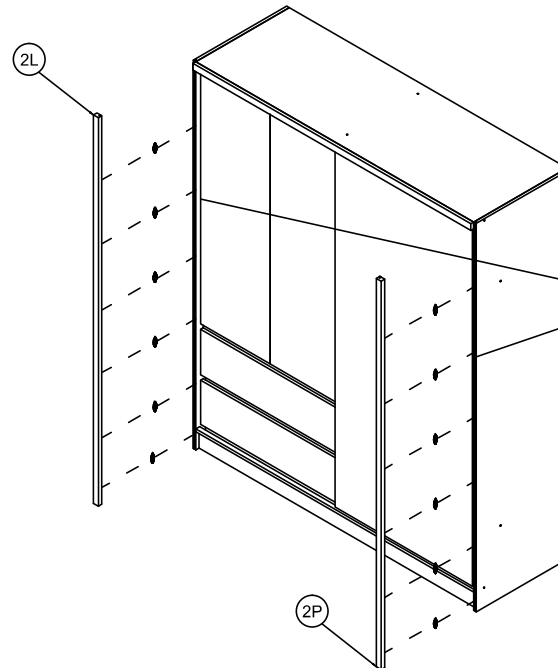
23



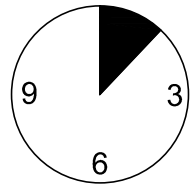
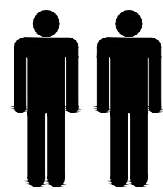
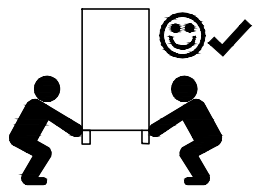
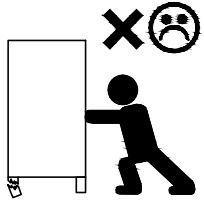
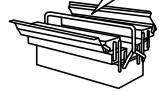
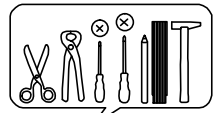
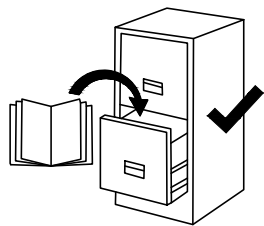
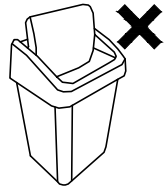
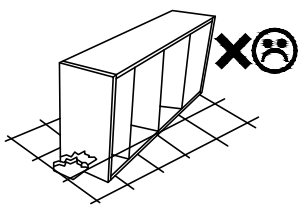
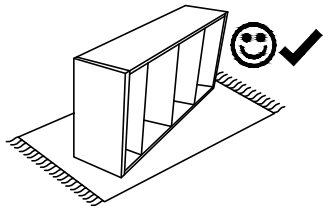
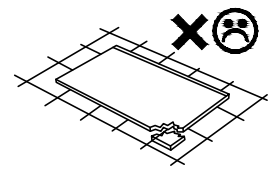
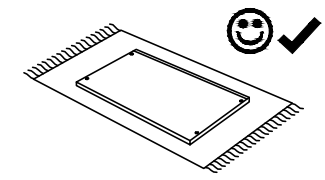
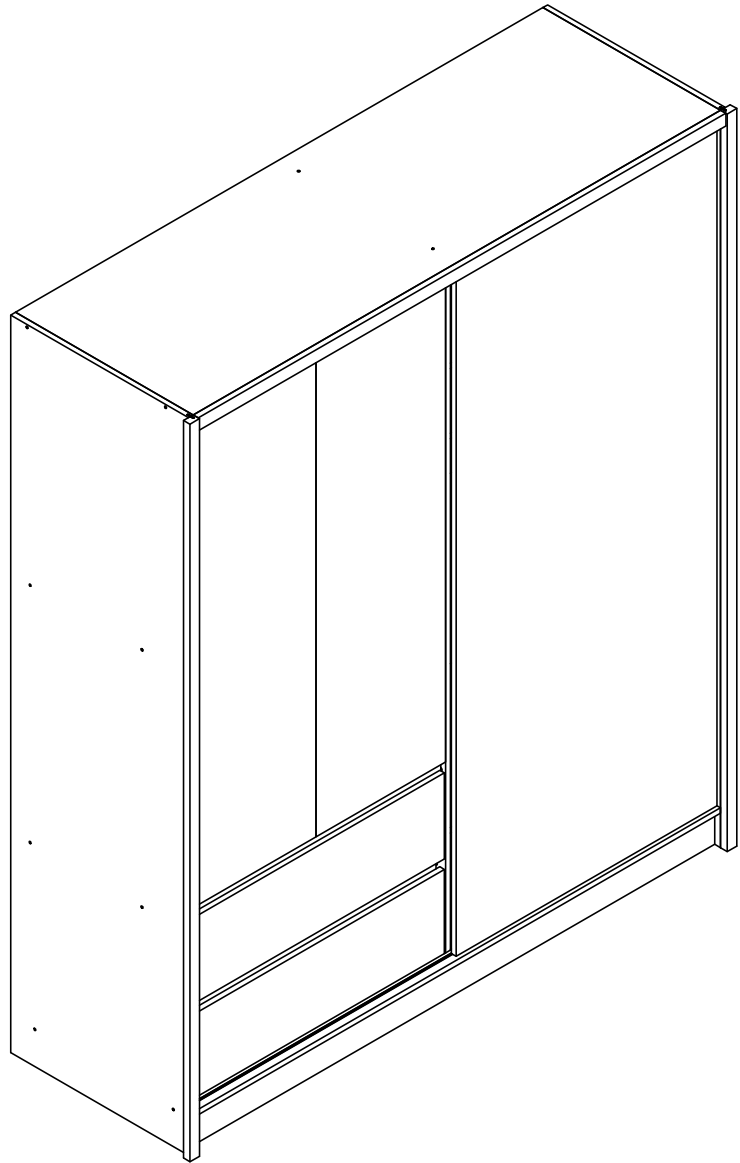
22



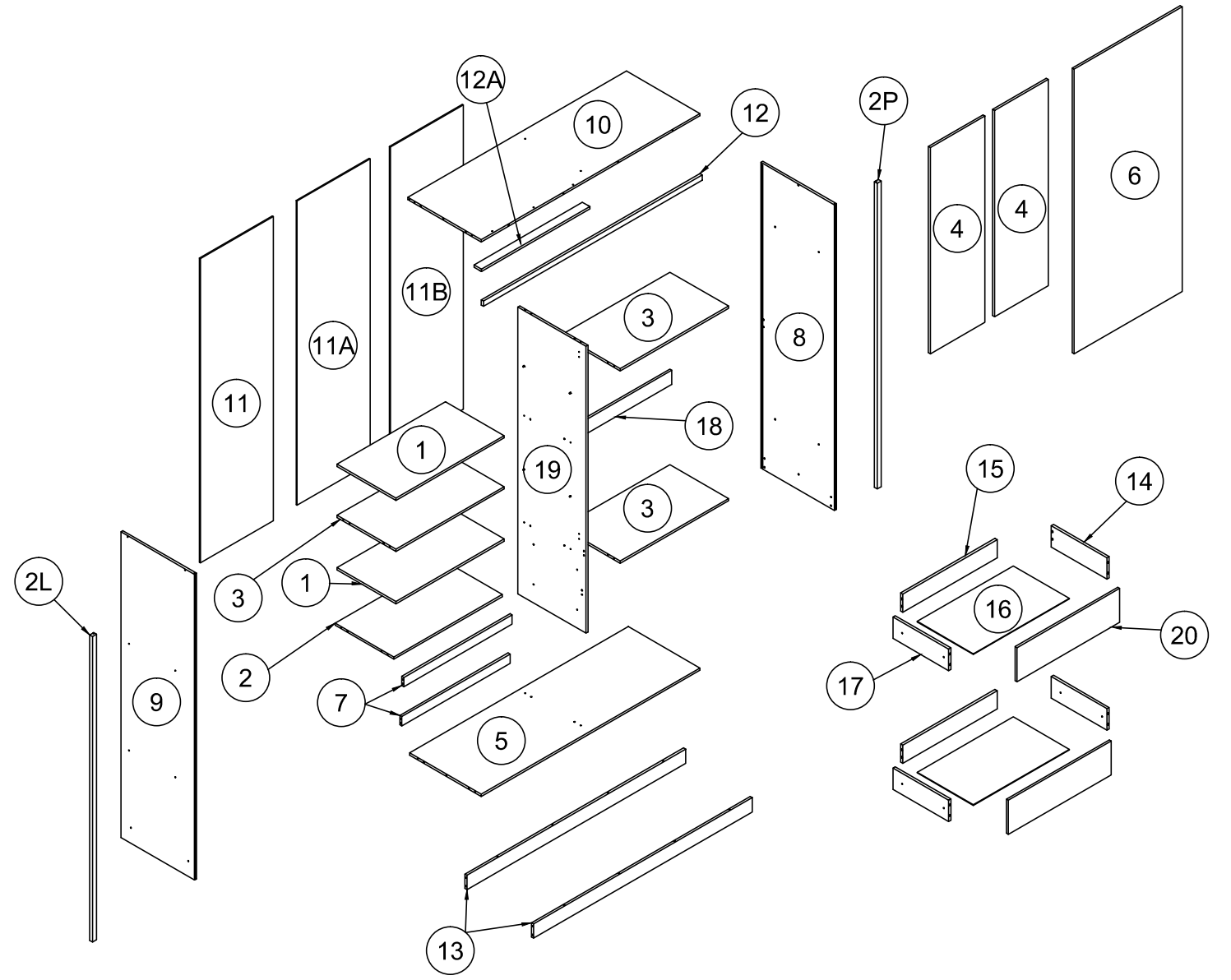
24



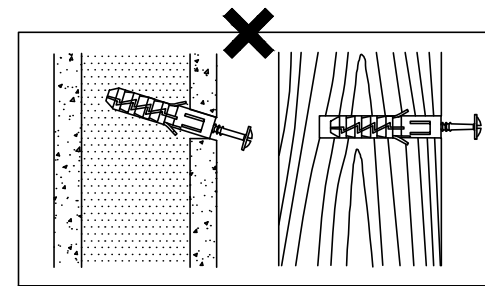
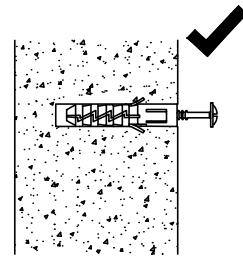
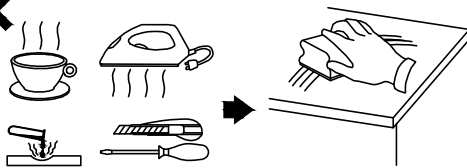
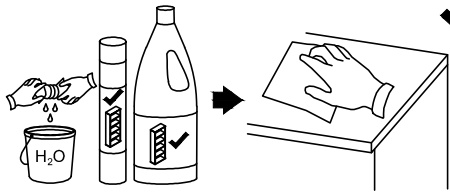
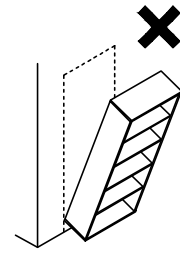
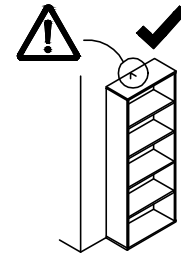
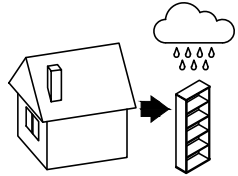
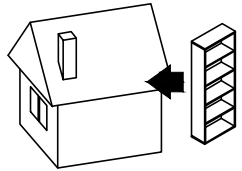
150

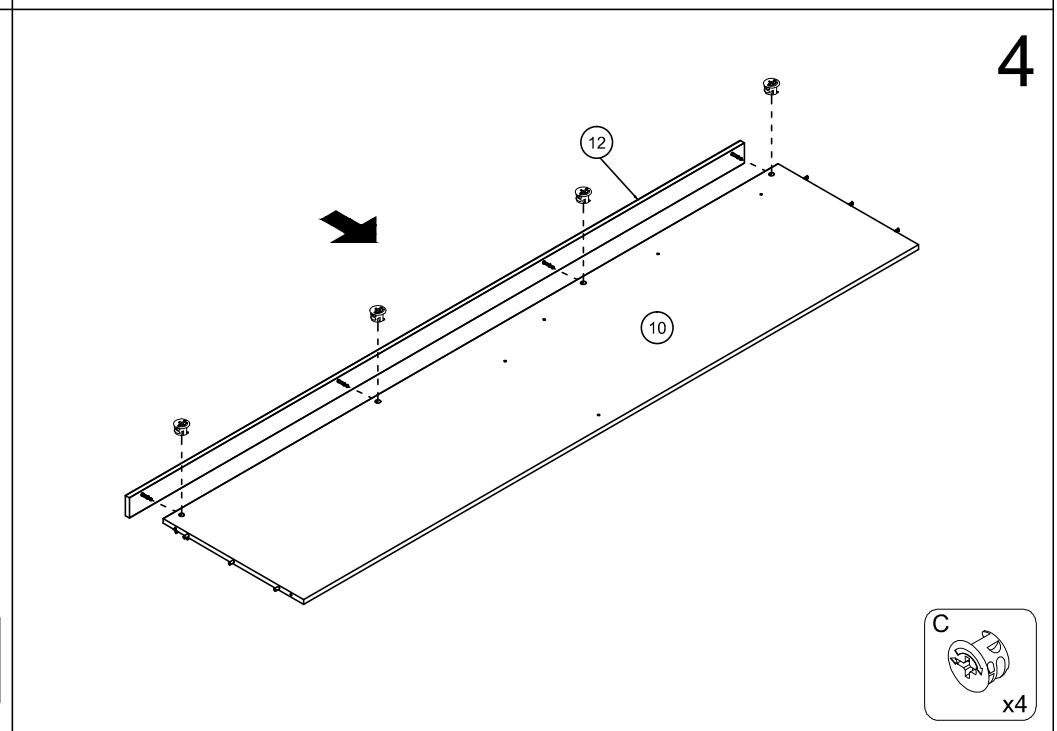
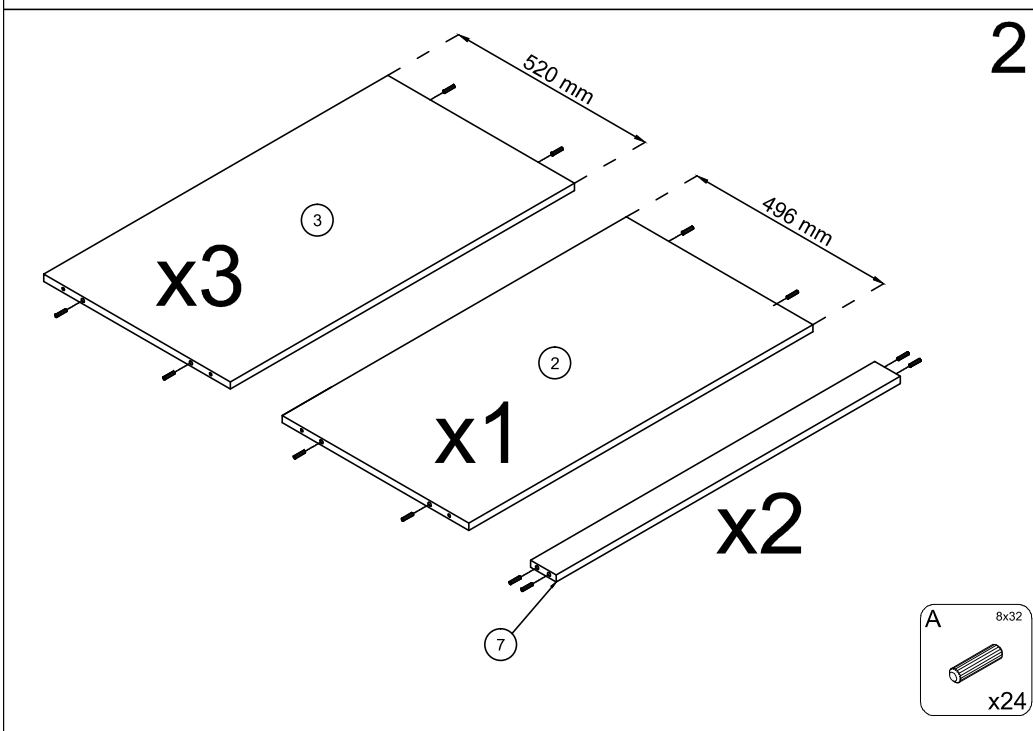
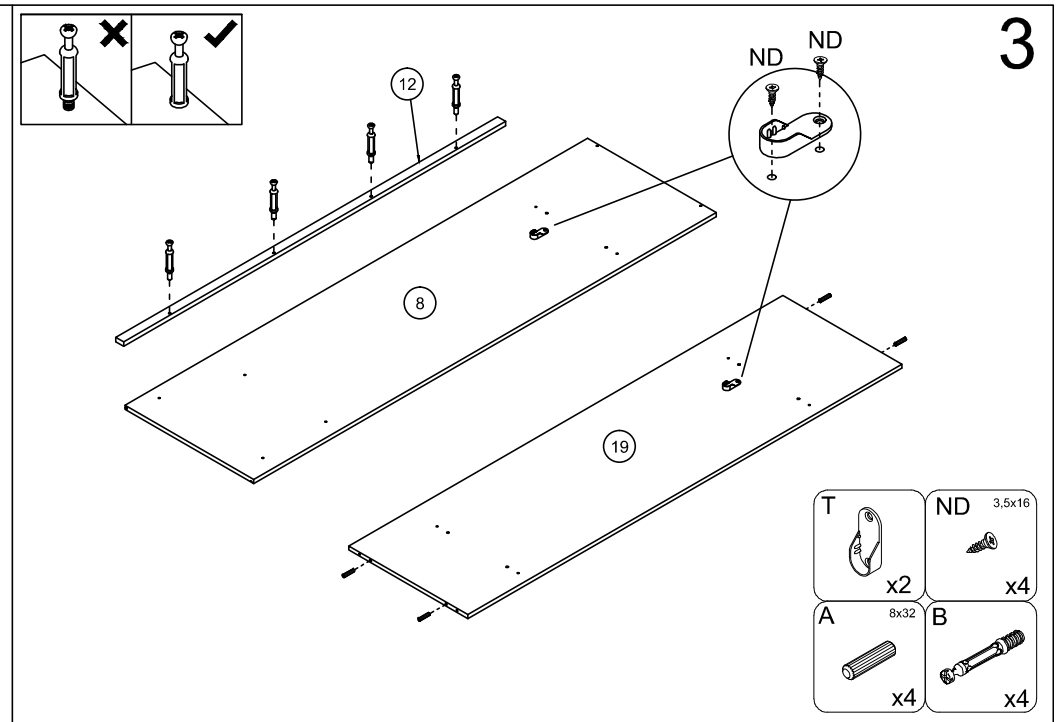
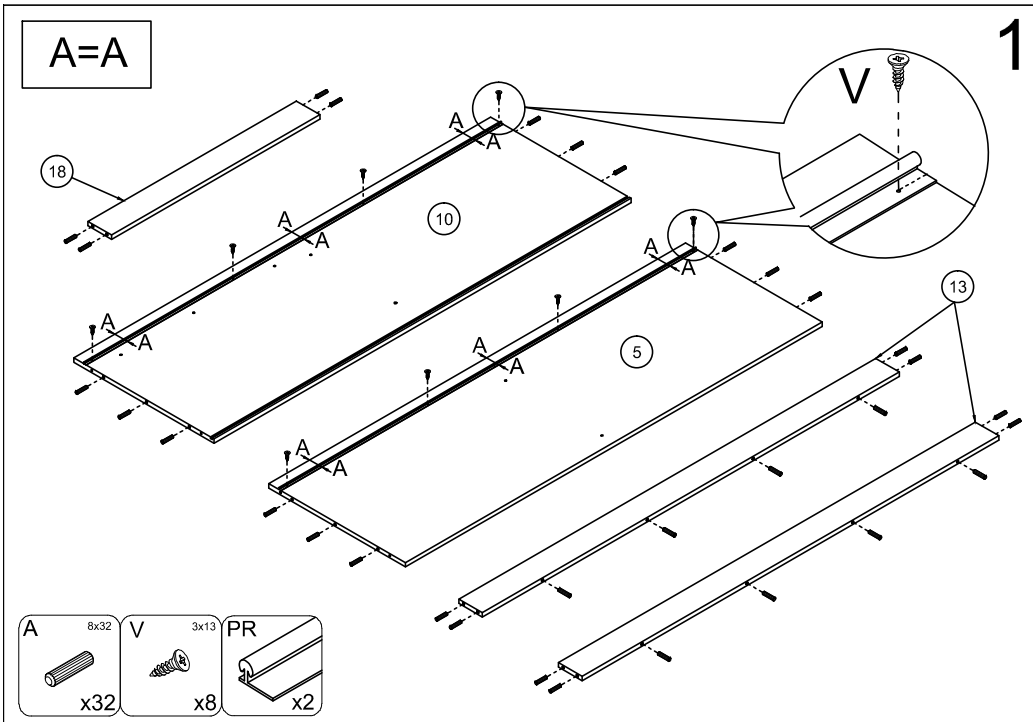


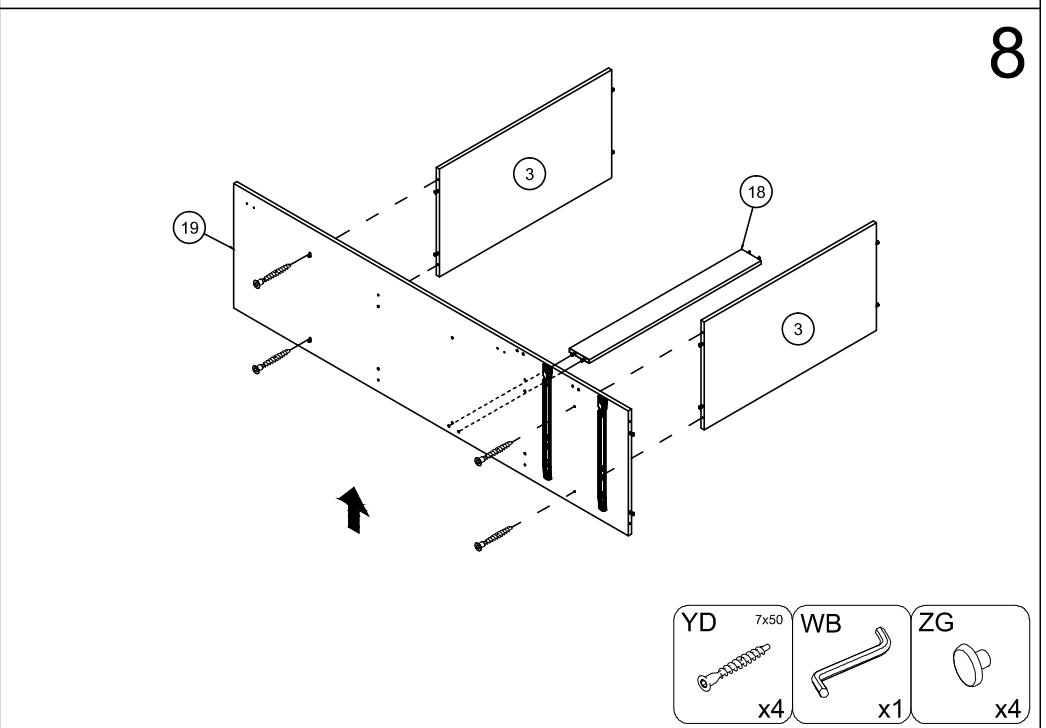
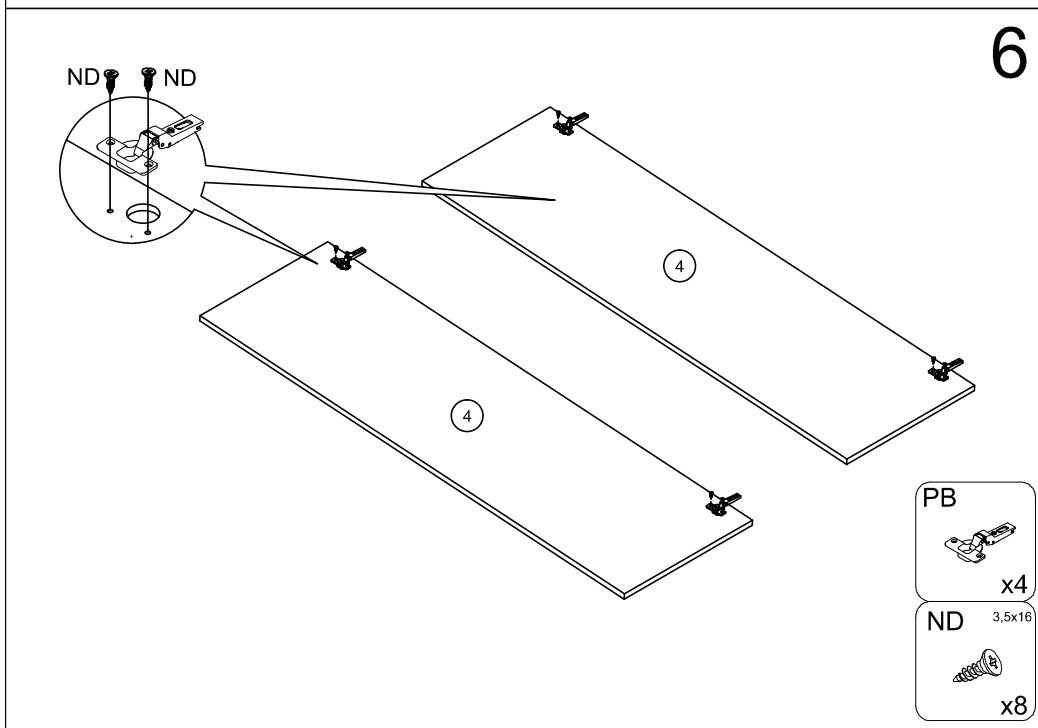
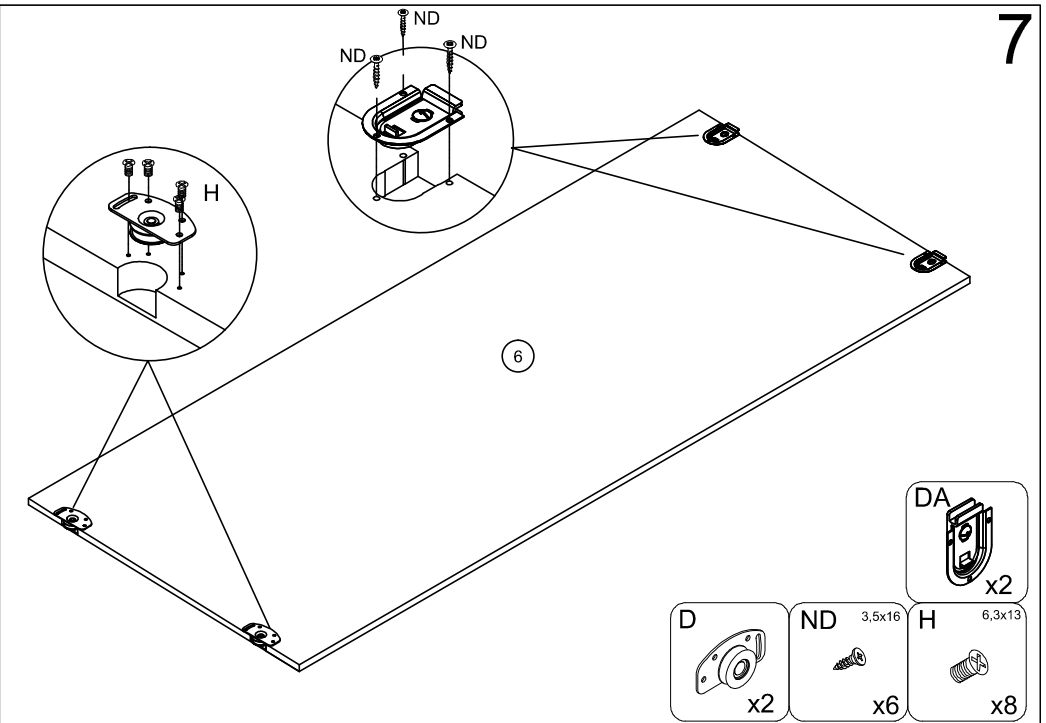
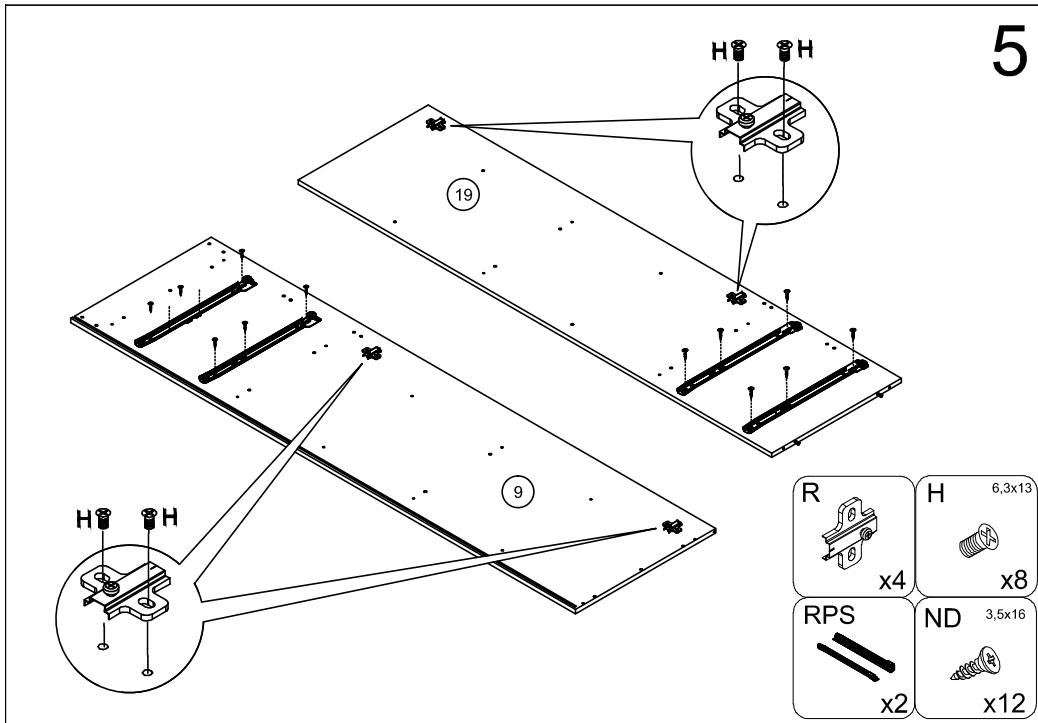
90 min.

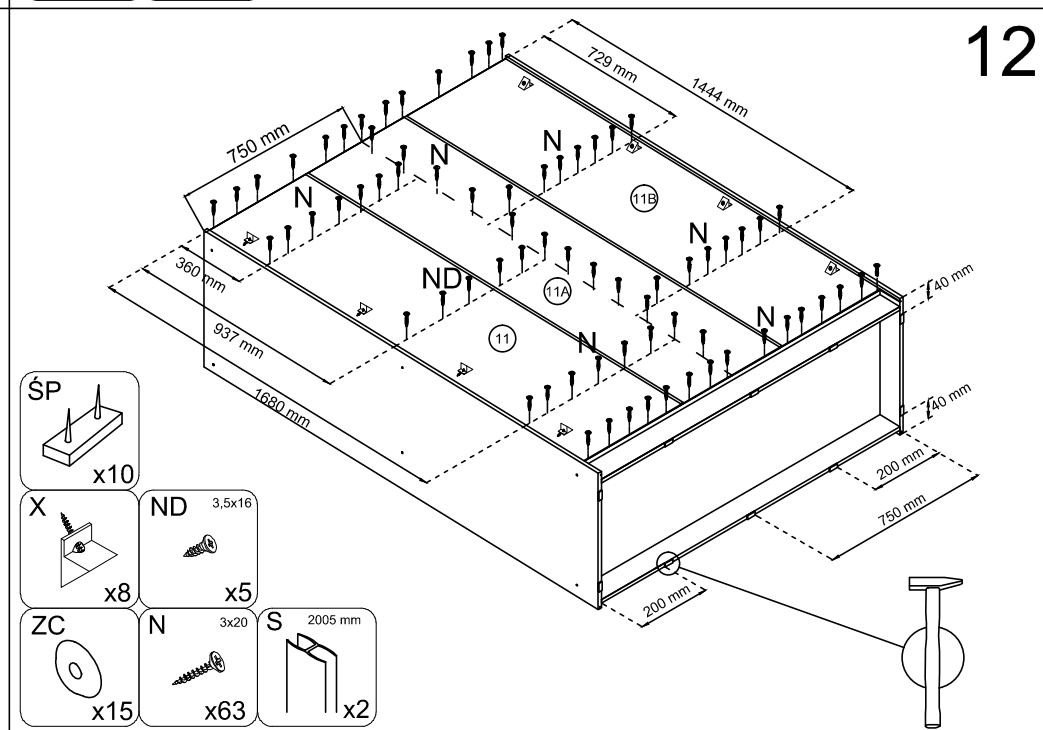
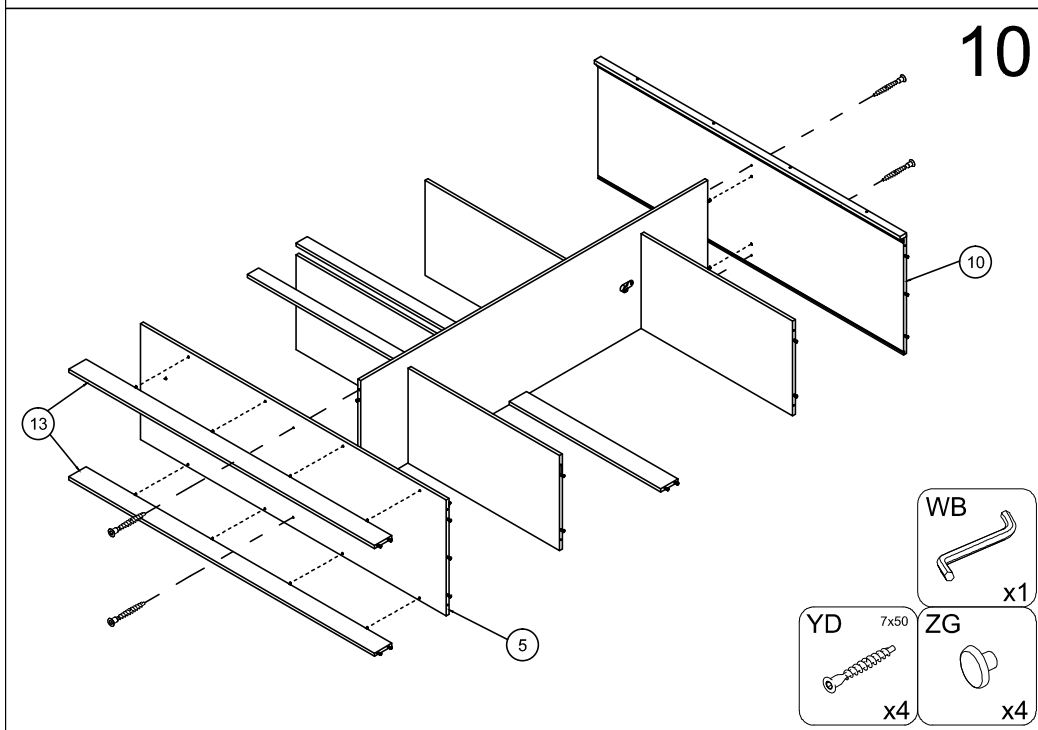
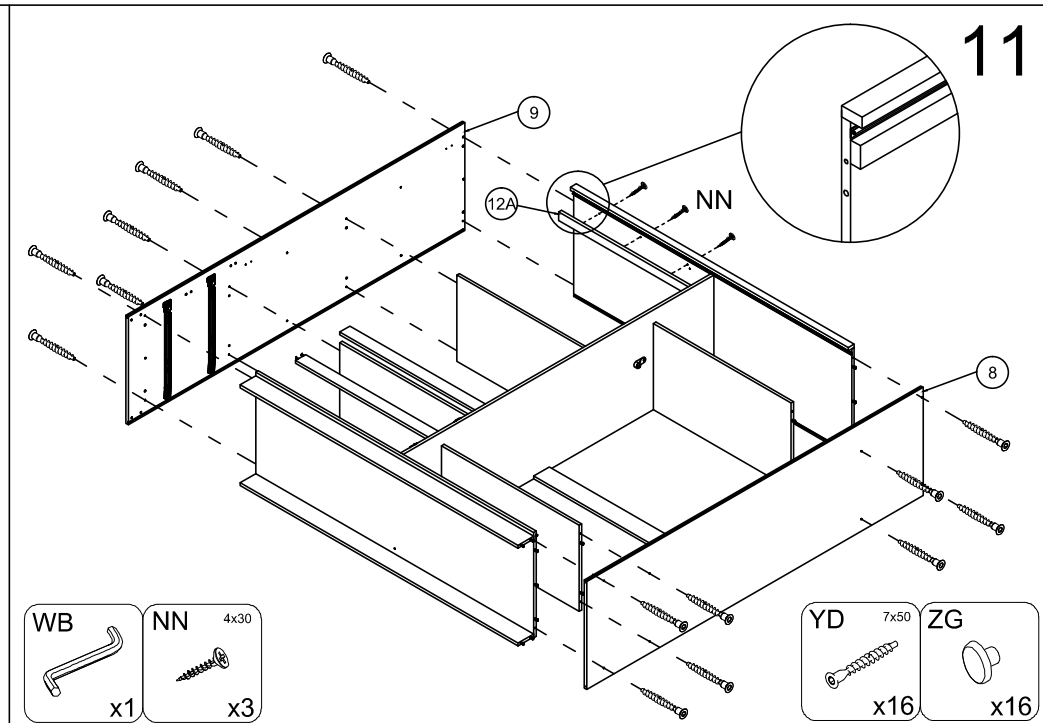
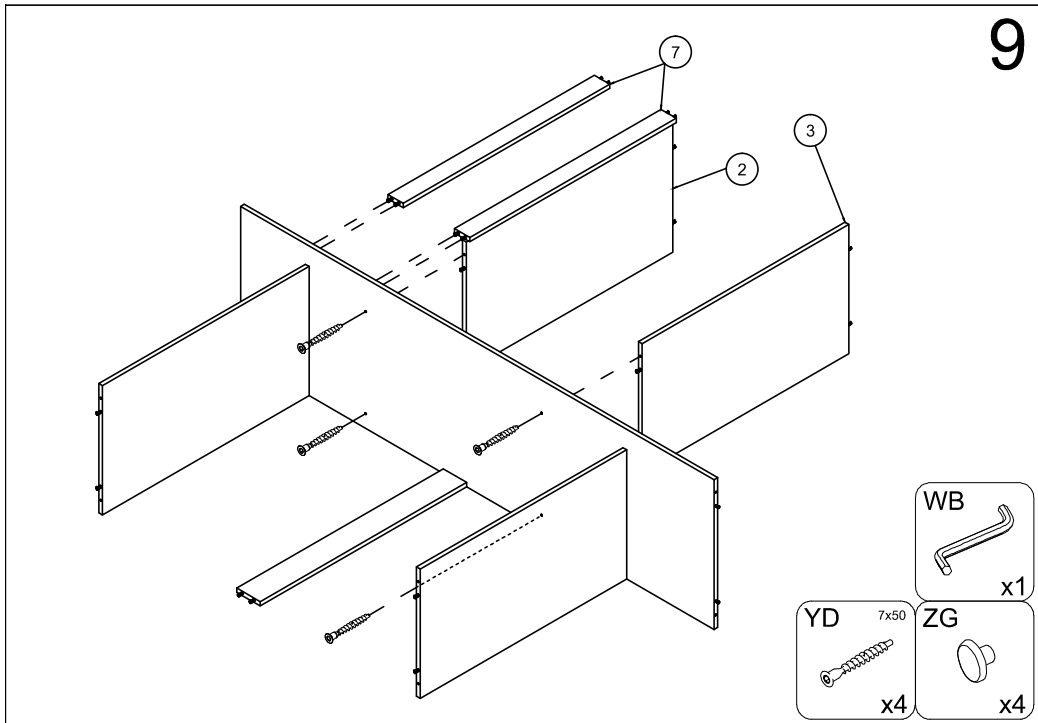


				PR	NN 4x30	WZ	RPS
				x2	x3	x2	x2
PB	ŚP	DB L-1983mm	ZG	V 3x13	ND 3,5x16	YD 7x50	N 3x20
x4	x10	x2	x28	x8	x51	x28	x81
LM	H 6,3x13	X	W6 L-718mm	WB	R		U L-1983mm
x12	x16	x8	x1	x1	x4	x1	x2
ZB	A 8x32	B	C	Z	T	DA	D
x8	x76	x12	x12	x4	x2	x2	x2

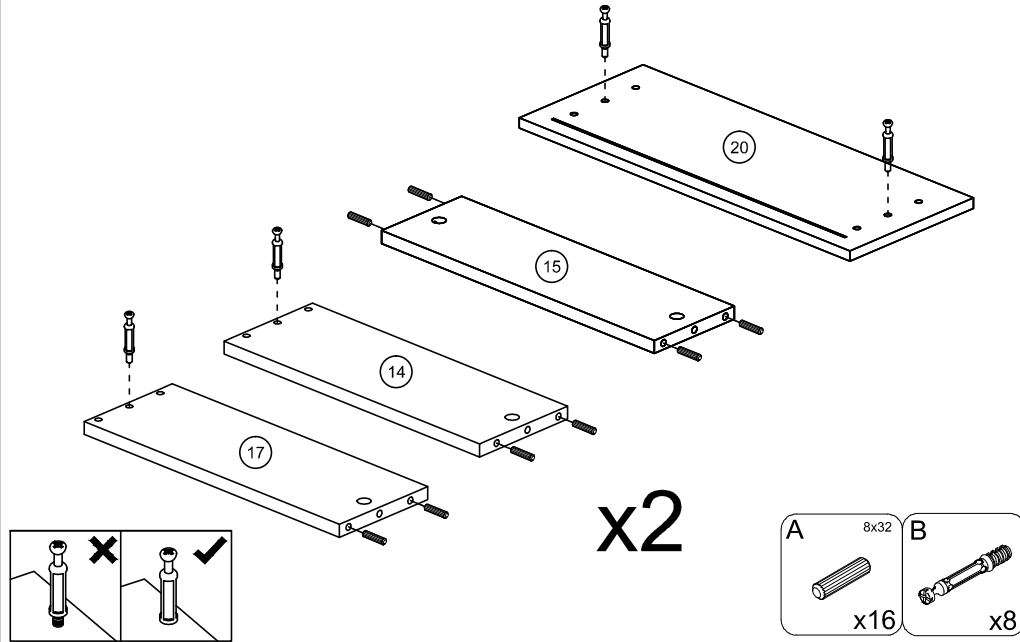




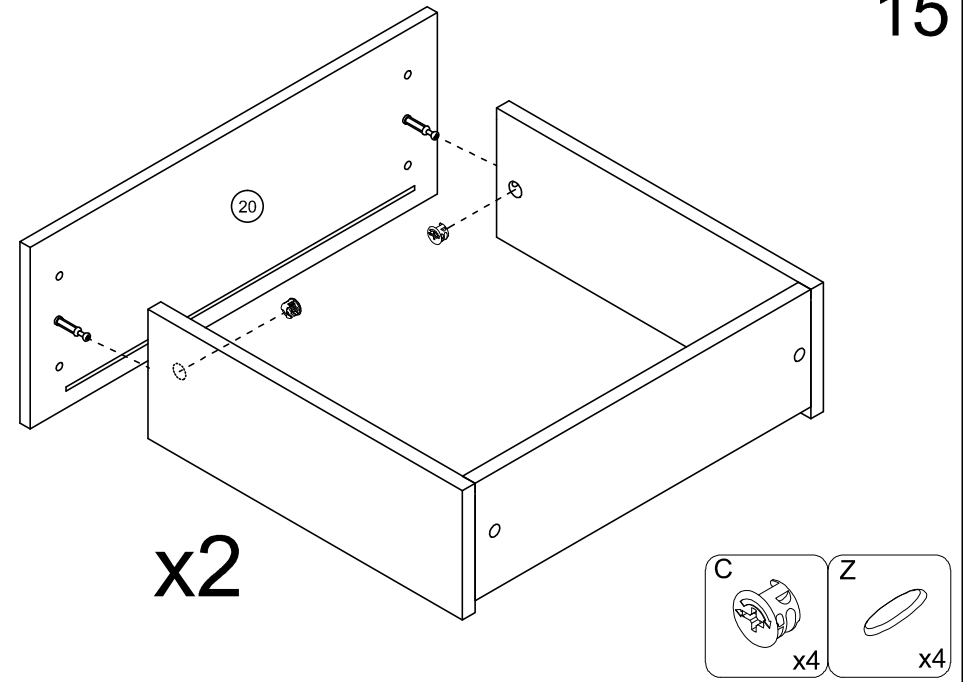




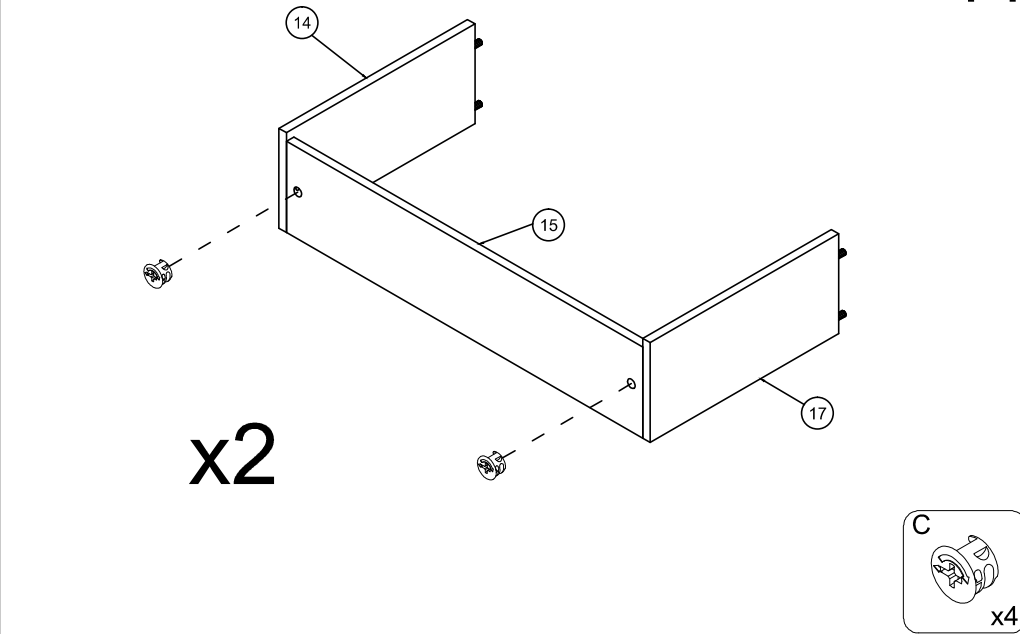
13



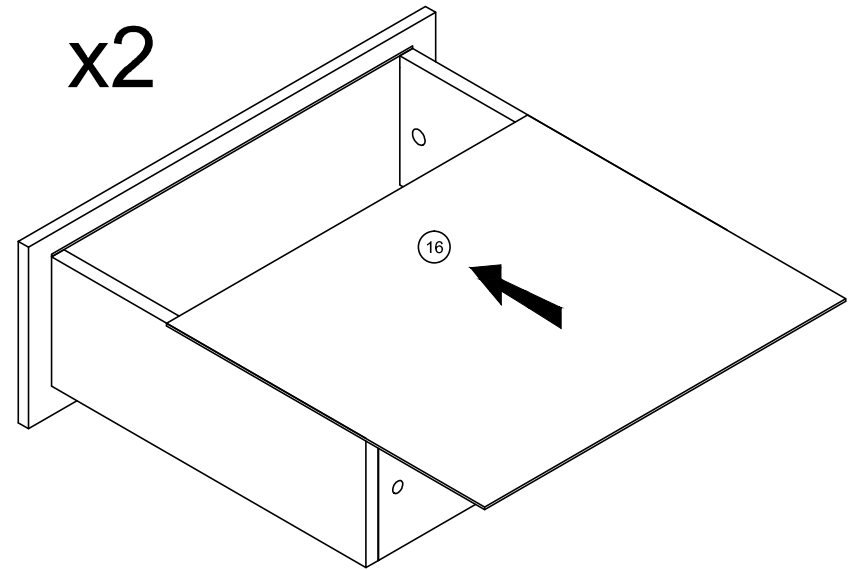
15

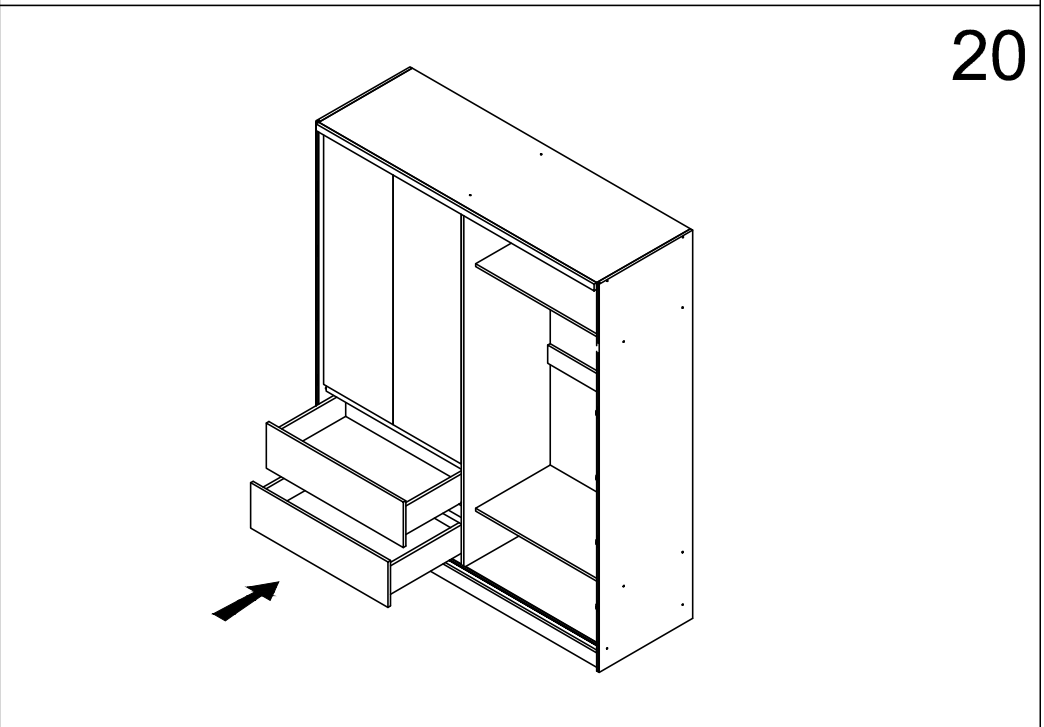
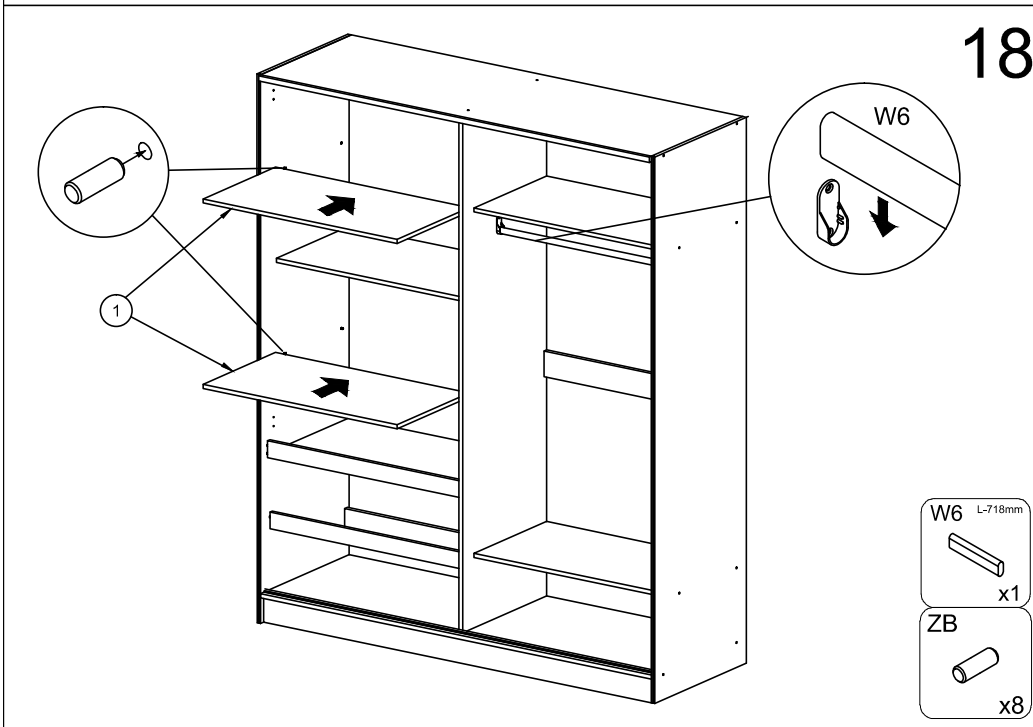
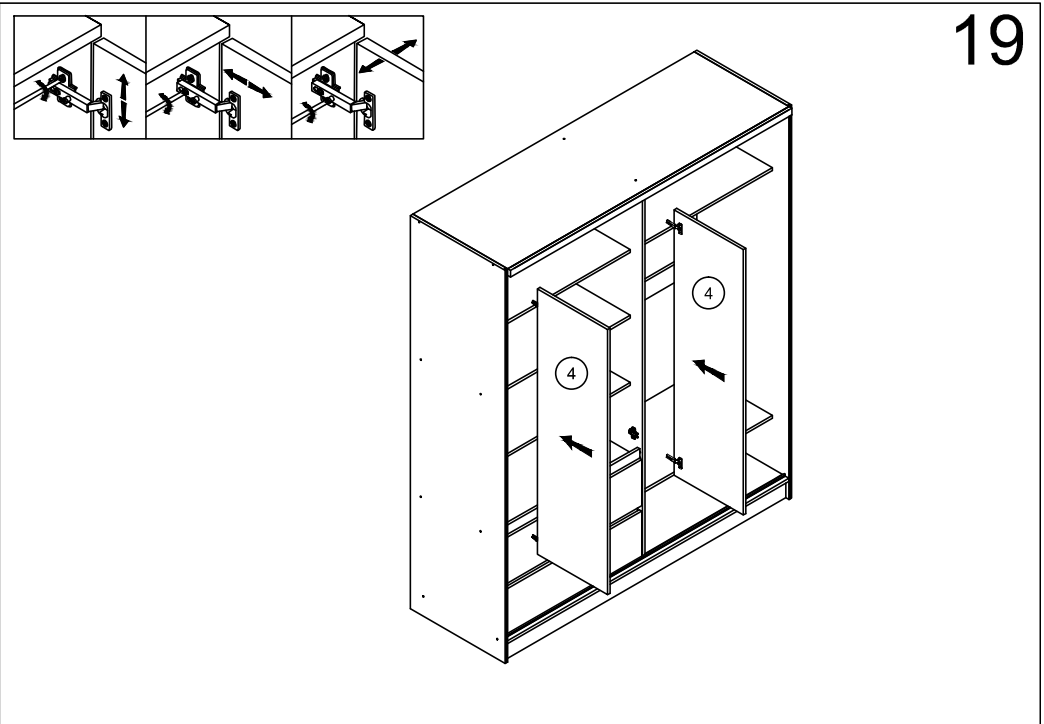
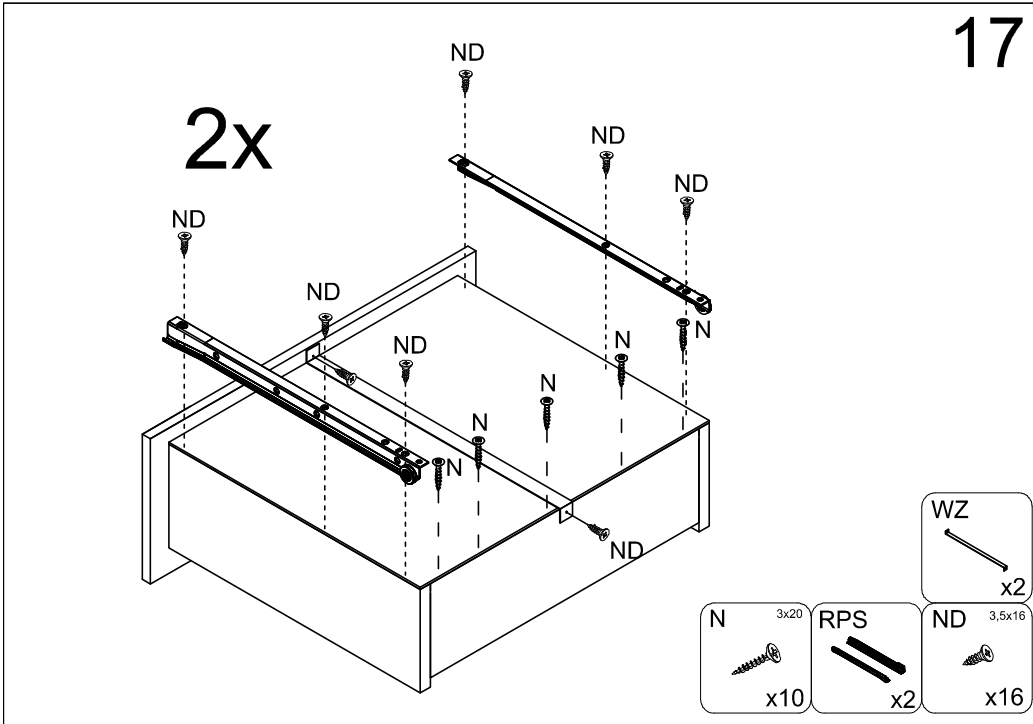


14

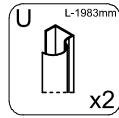
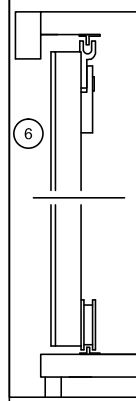
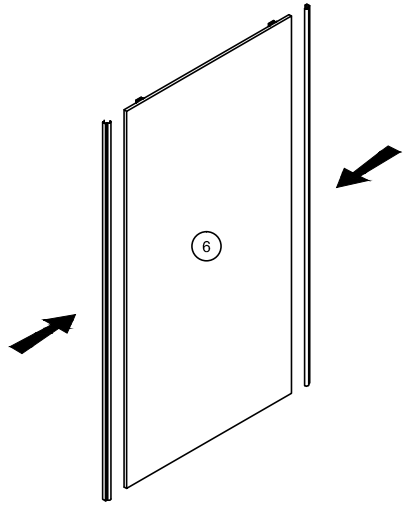


16

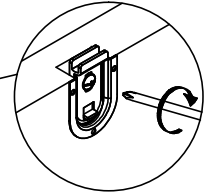
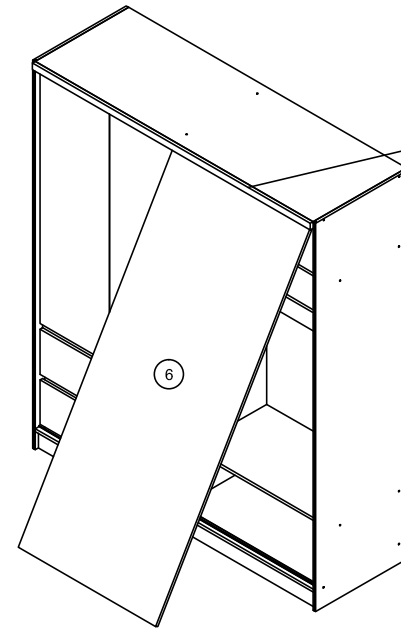




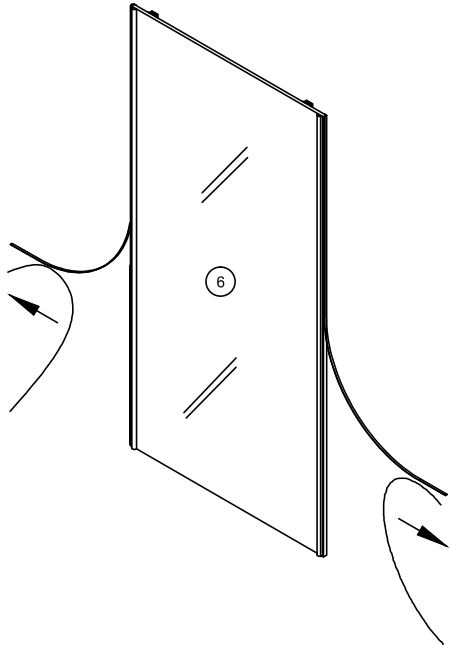
21



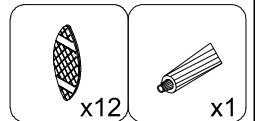
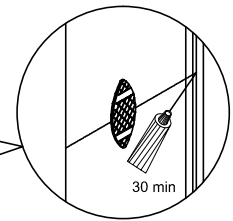
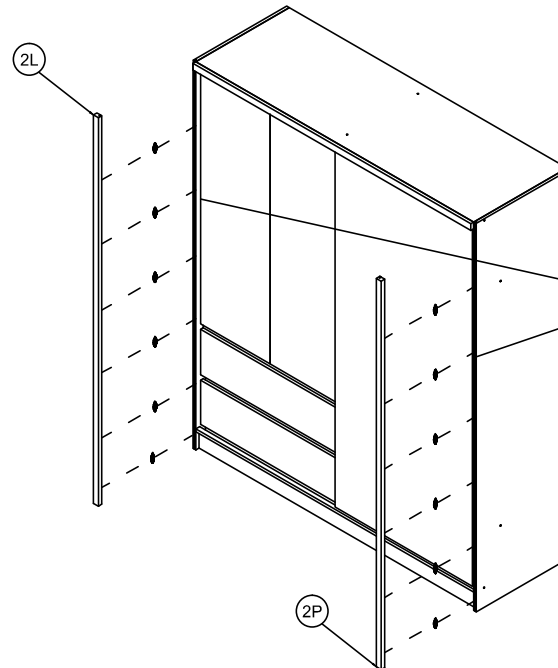
23

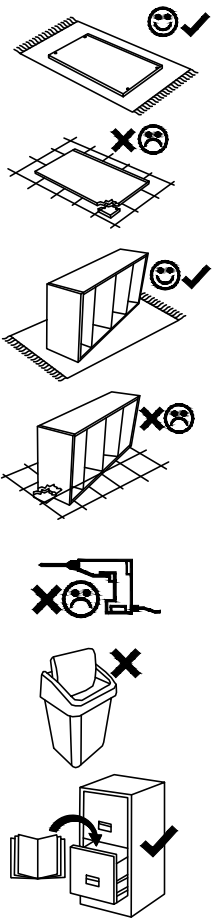


22

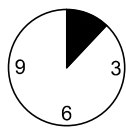
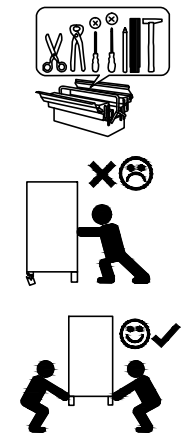
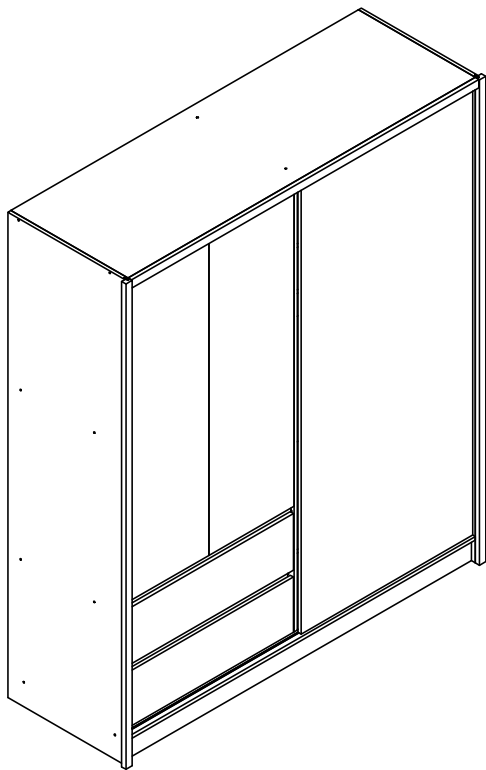


24

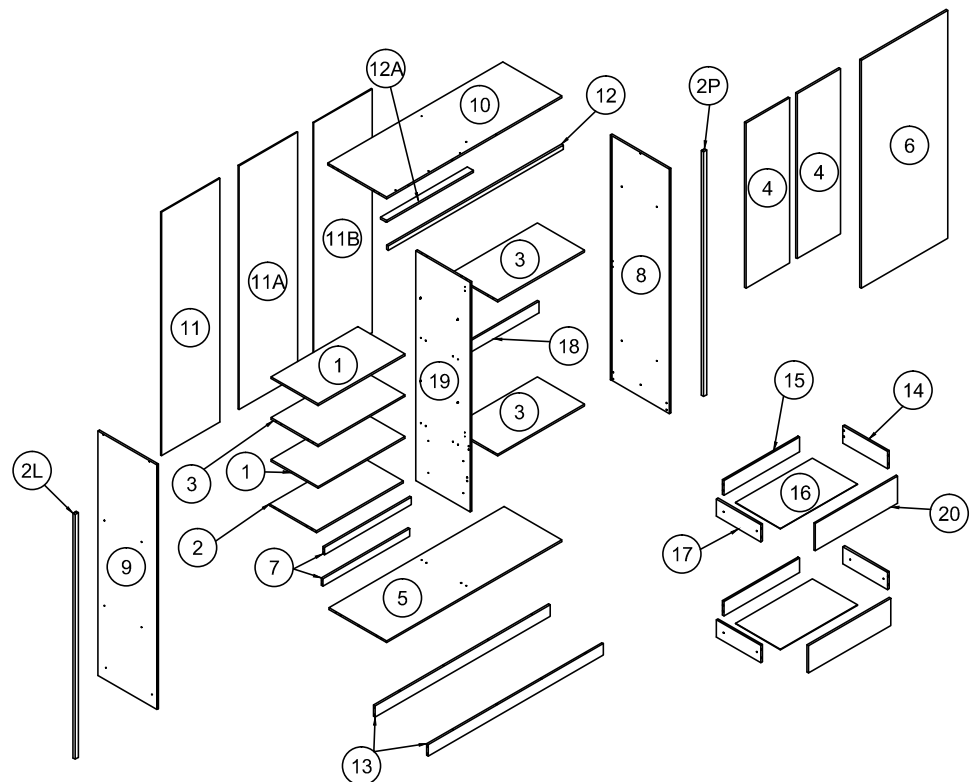




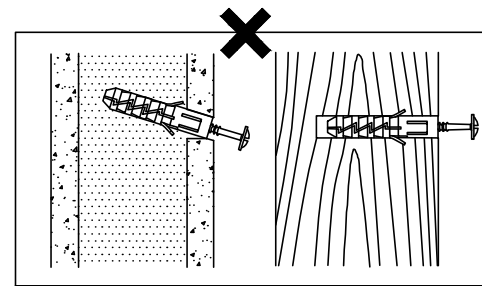
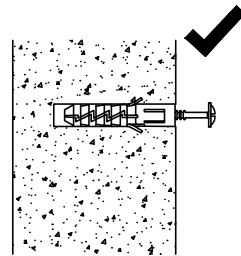
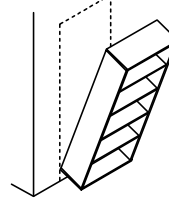
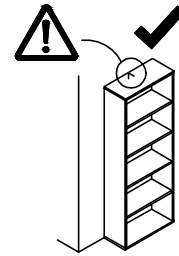
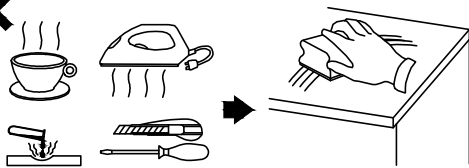
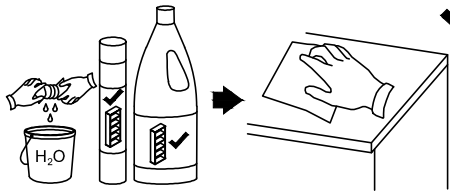
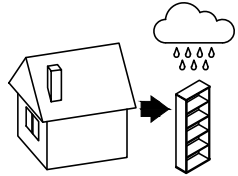
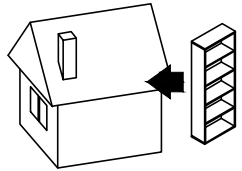
180

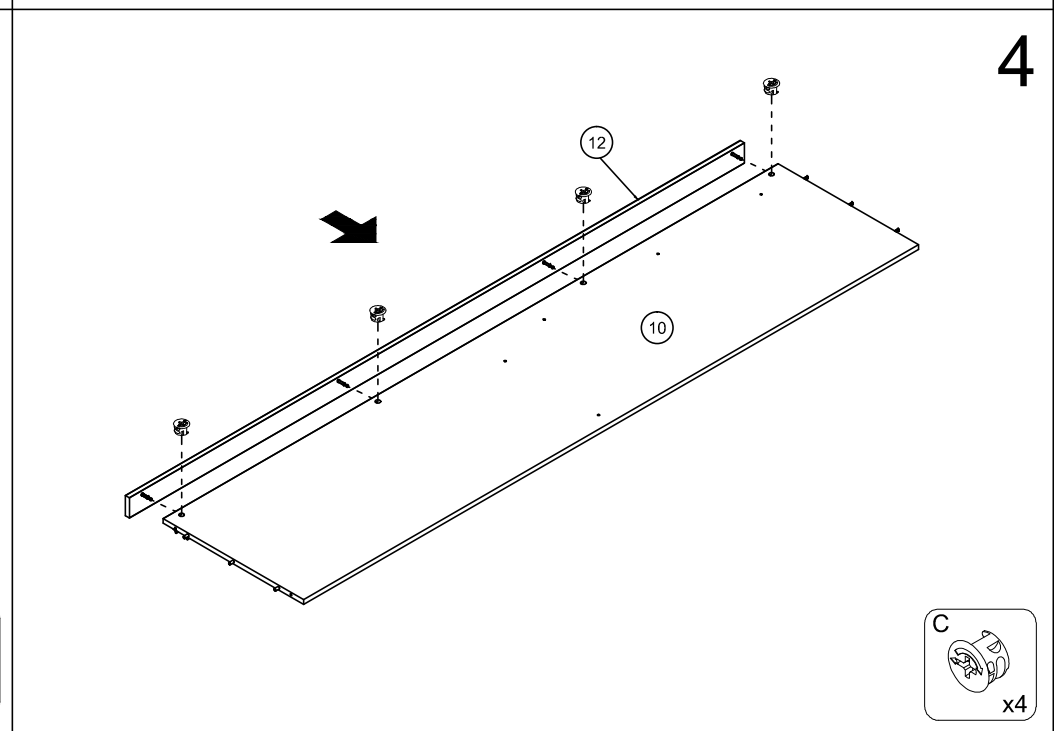
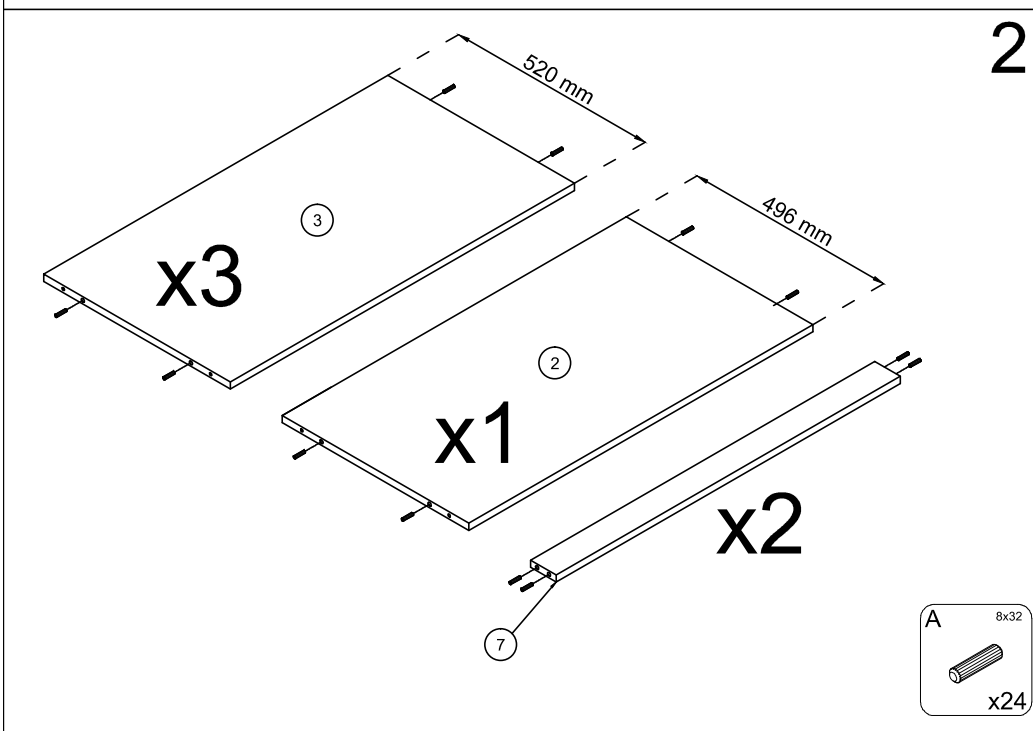
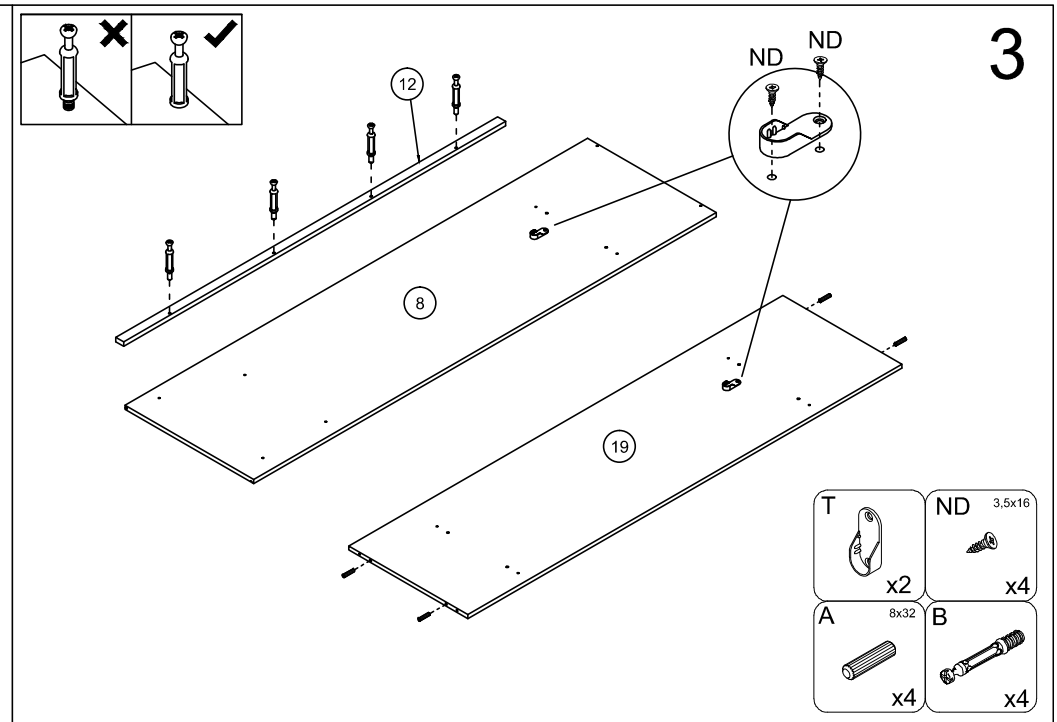
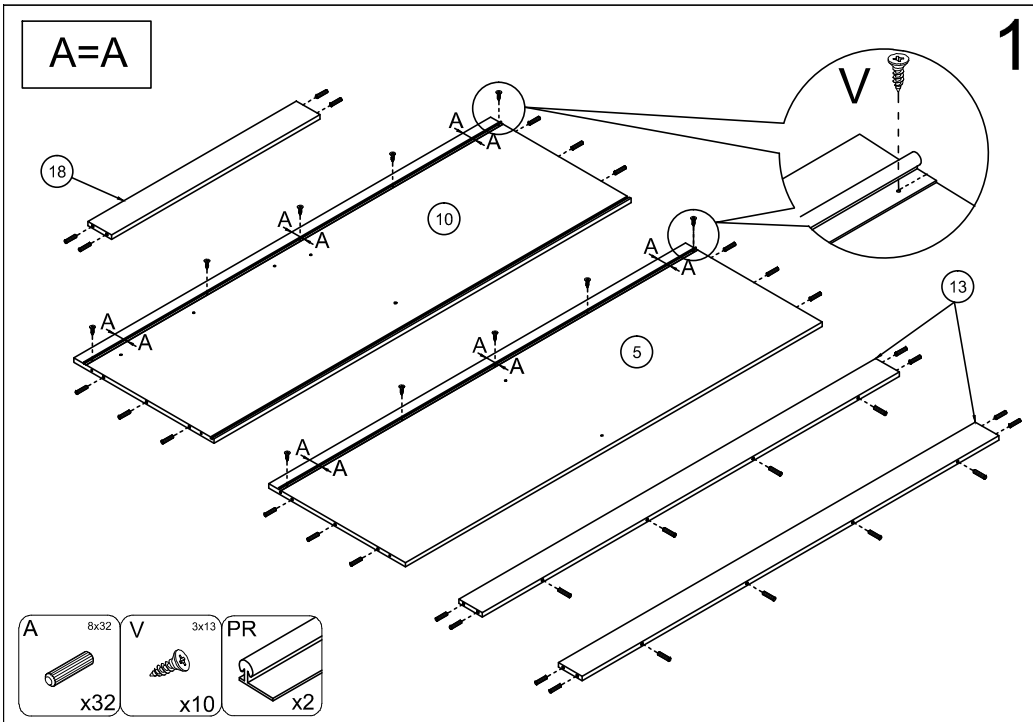


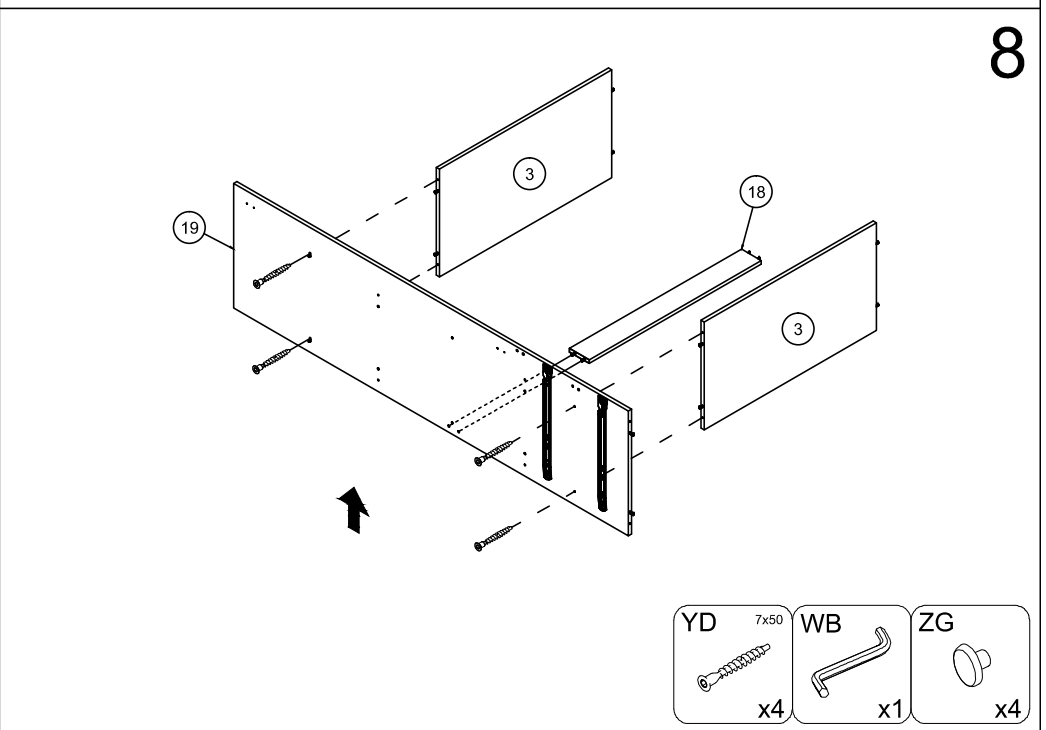
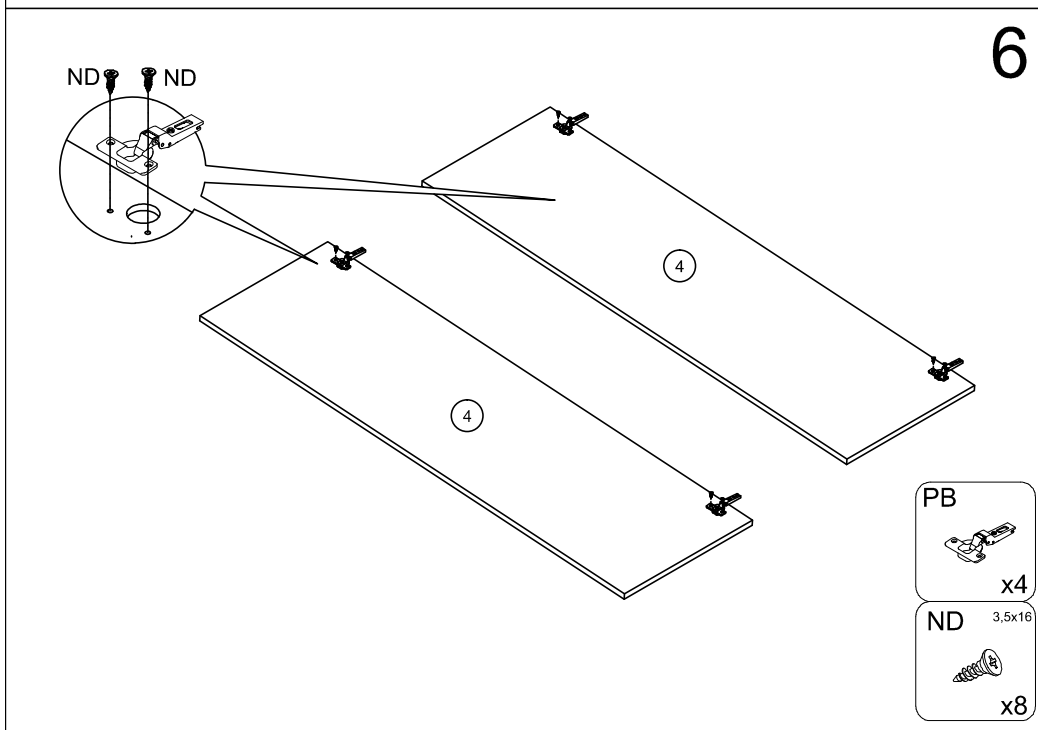
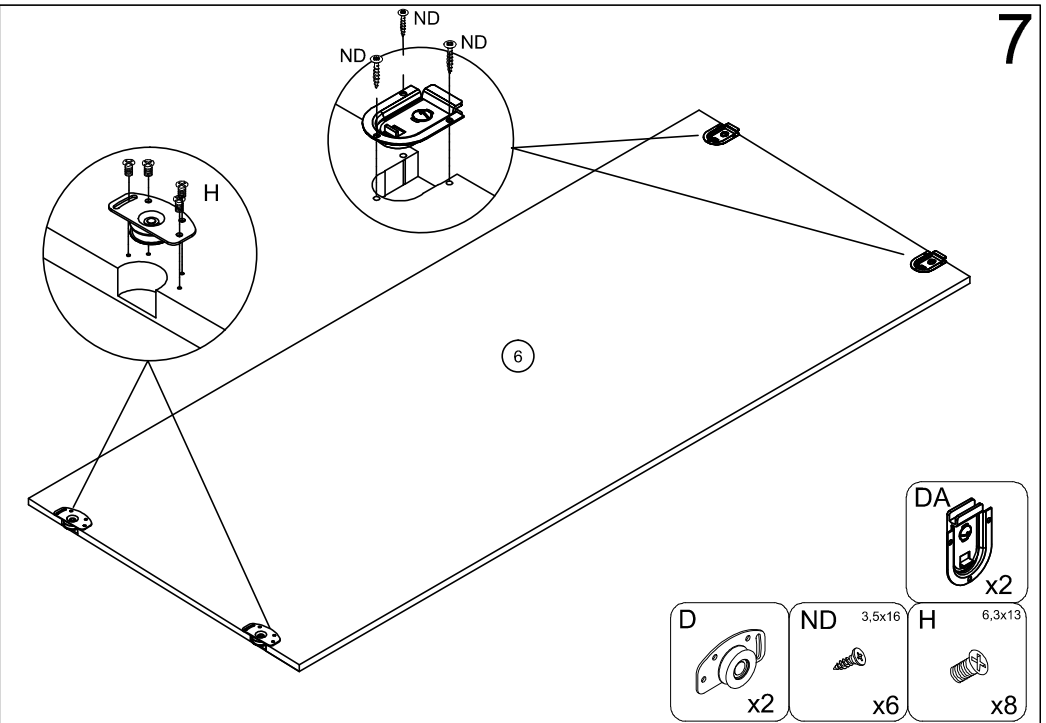
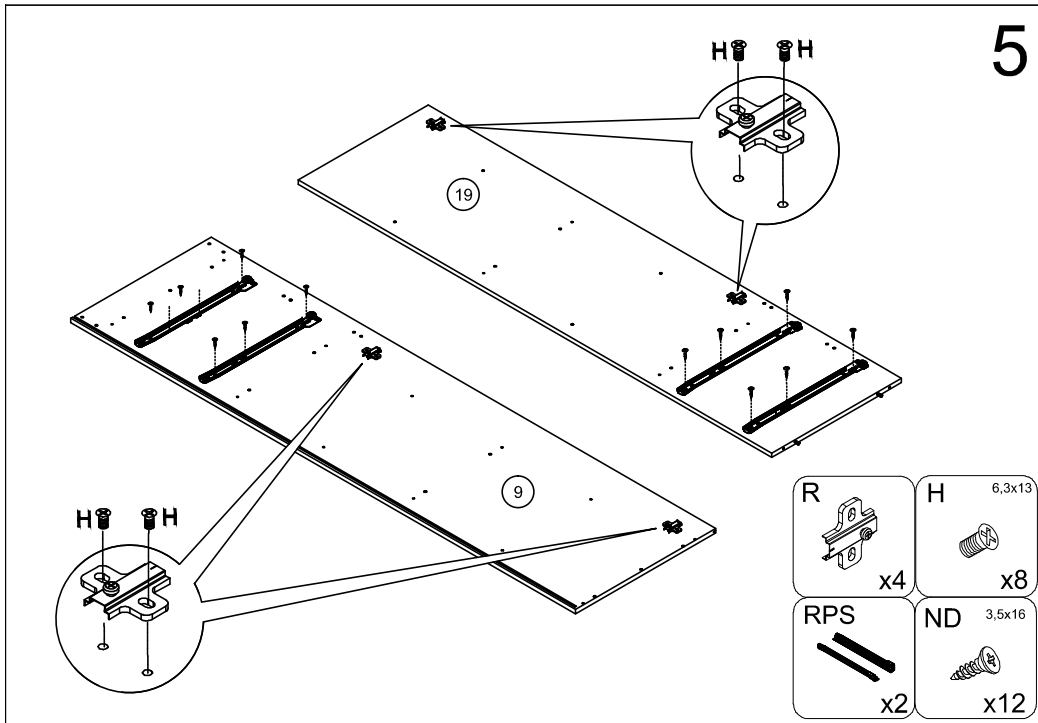
90 min.

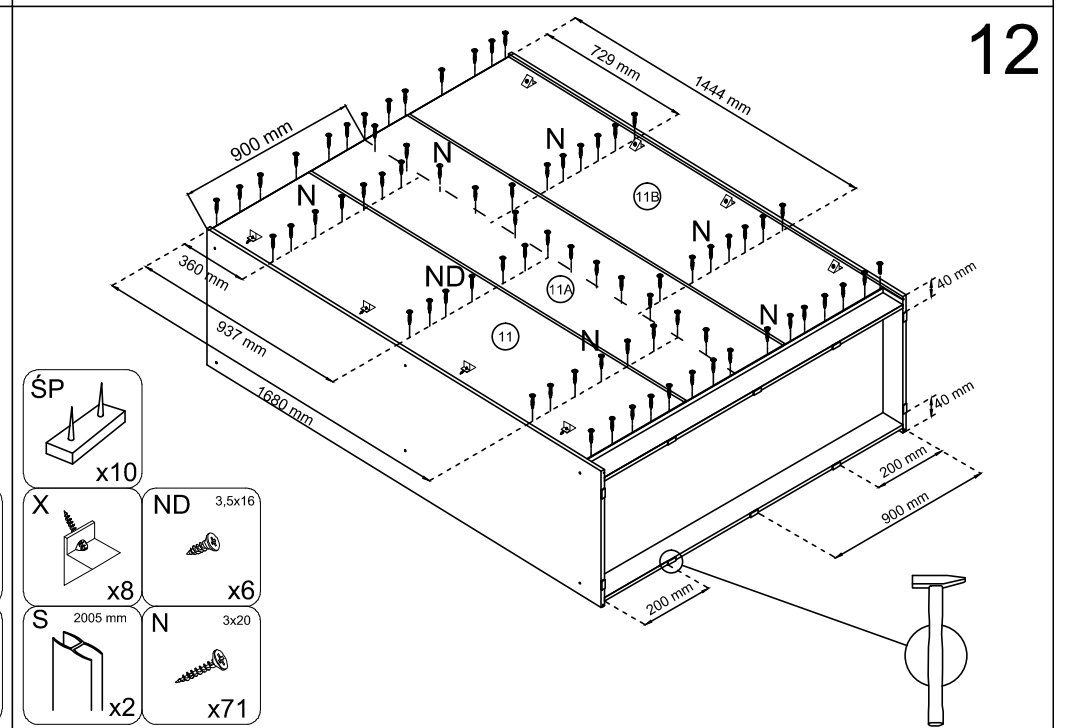
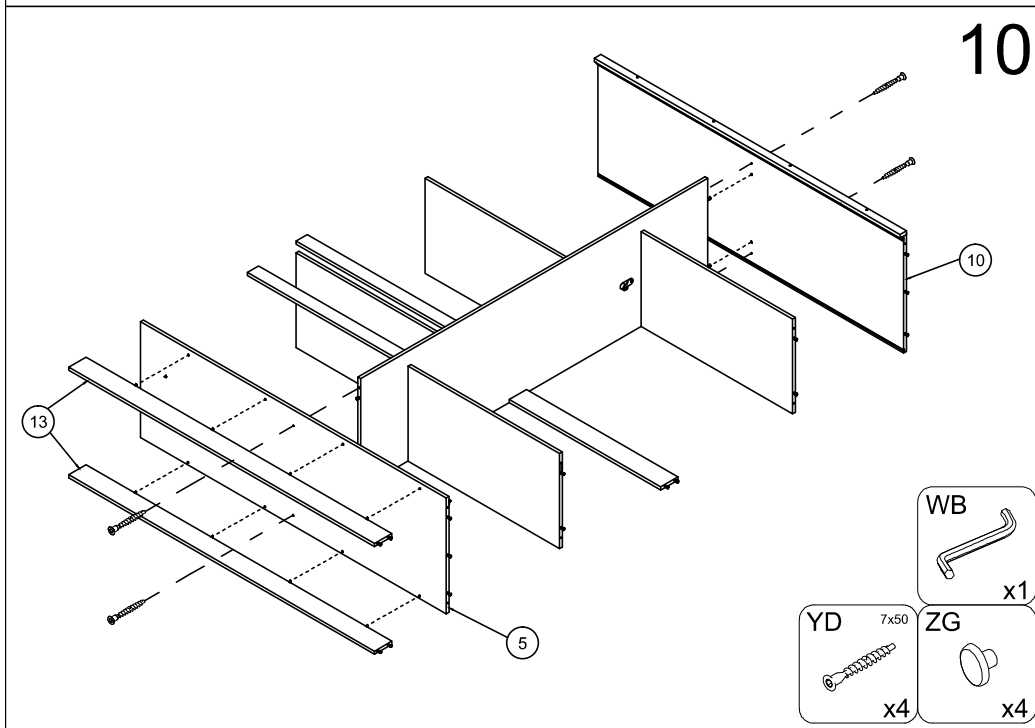
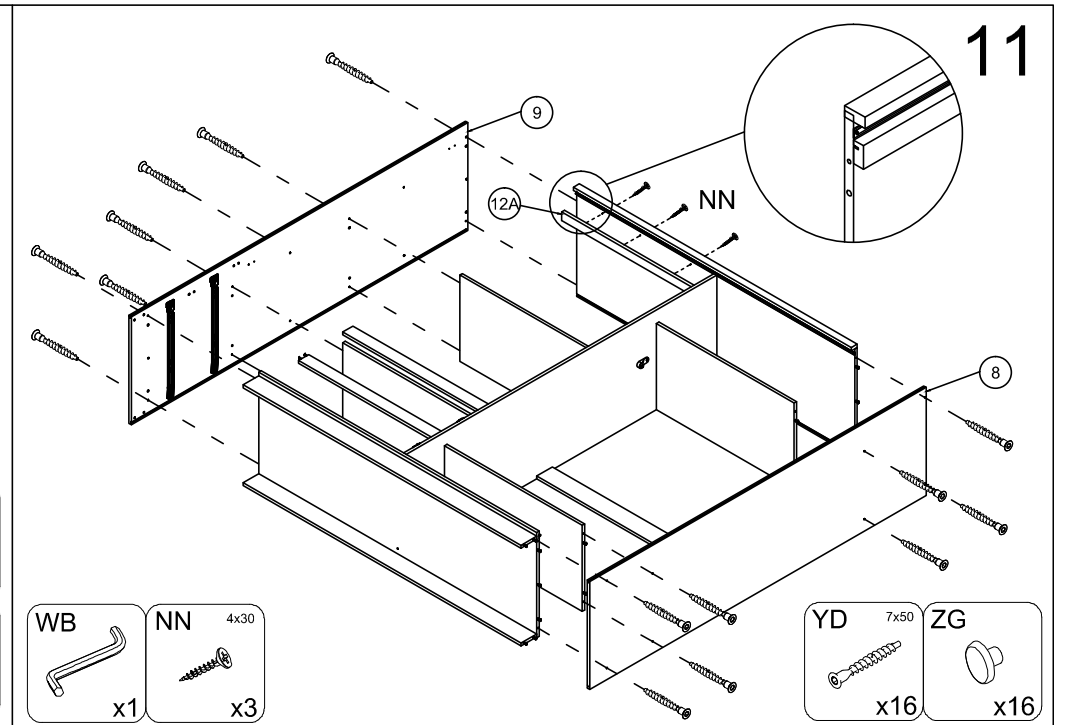
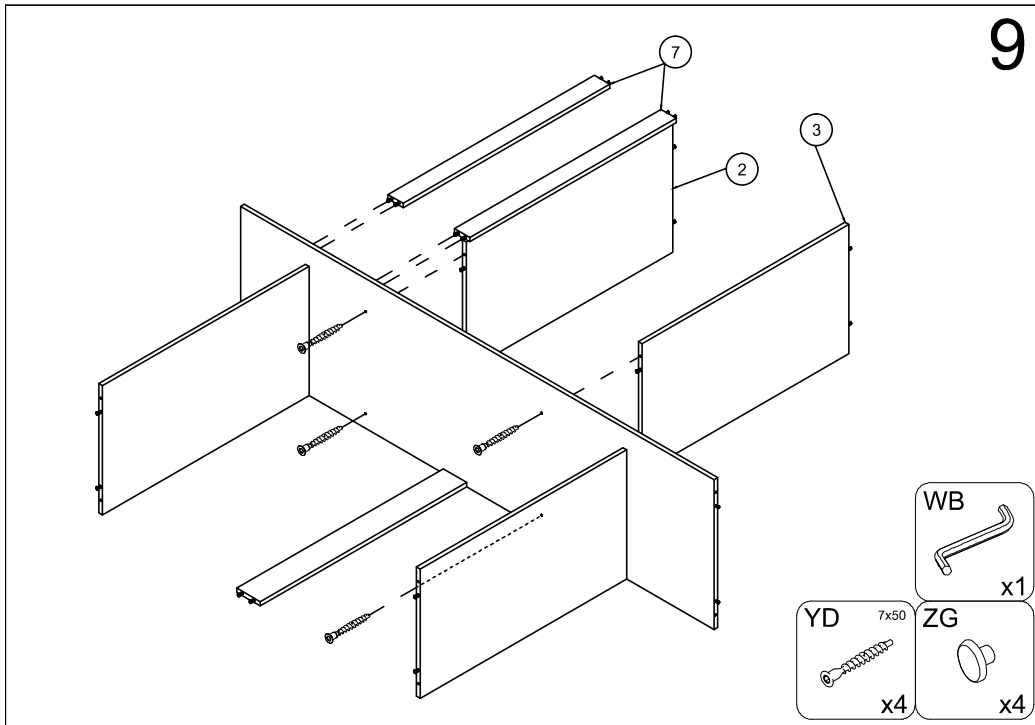


				PR	NN 4x30	WZ	RPS
				x2	x3	x2	x2
PB	ŚP	DB L-1983mm	ZG	V 3x13	ND 3,5x16	YD 7x50	N 3x20
x4	x10	x2	x28	x10	x52	x28	x83
LM	H 6,3x13	X	W6 L-868mm	WB	R		U L-1983mm
x12	x16	x8	x1	x1	x4		x2
ZB	A 8x32	B	C	Z	T	DA	D
x8	x76	x12	x12	x4	x2	x2	x2

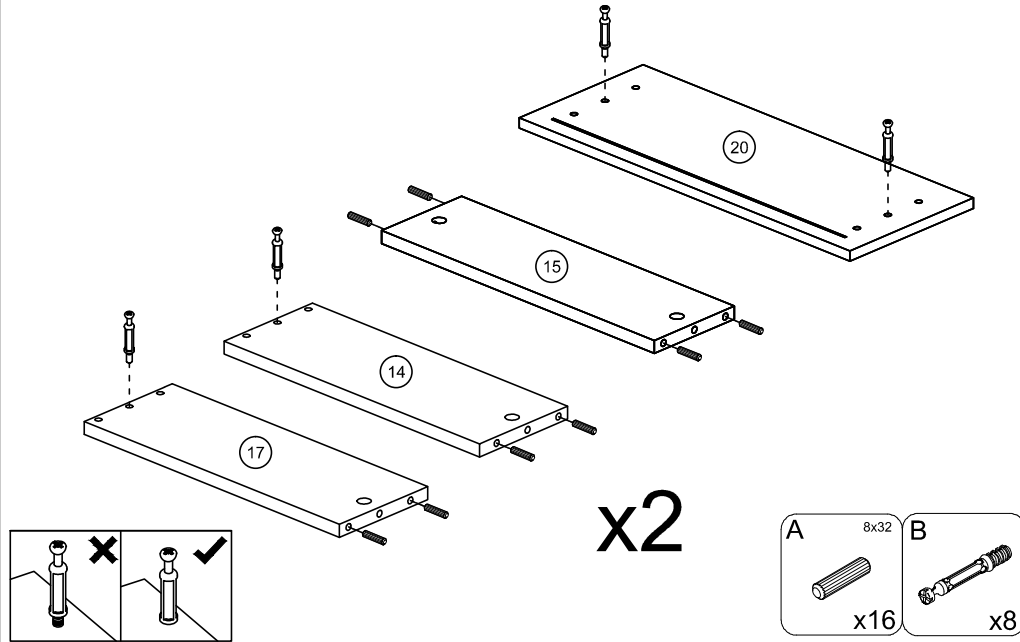






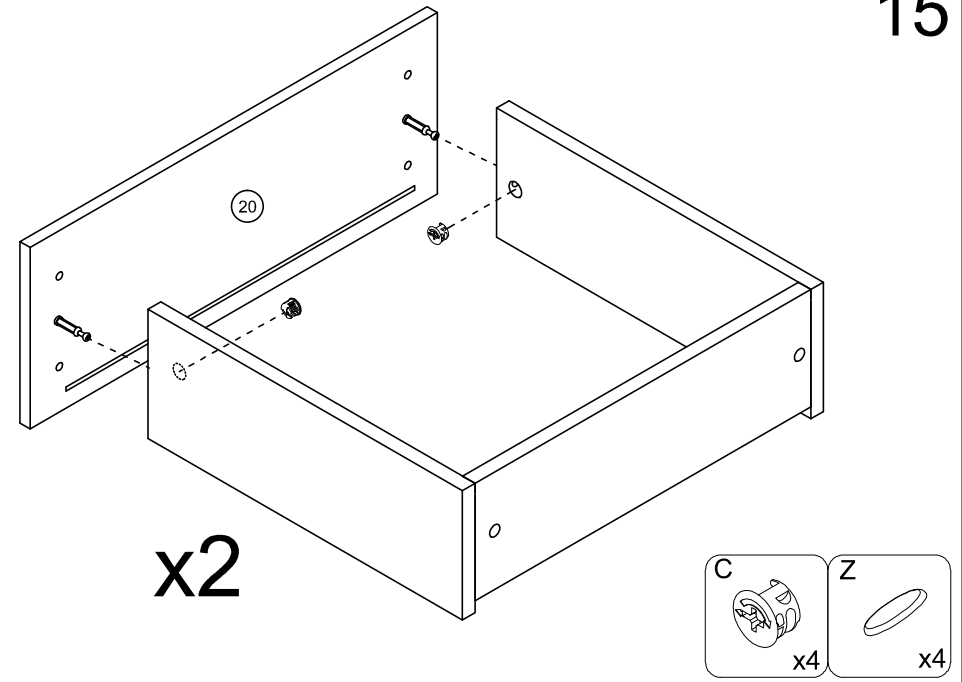


13



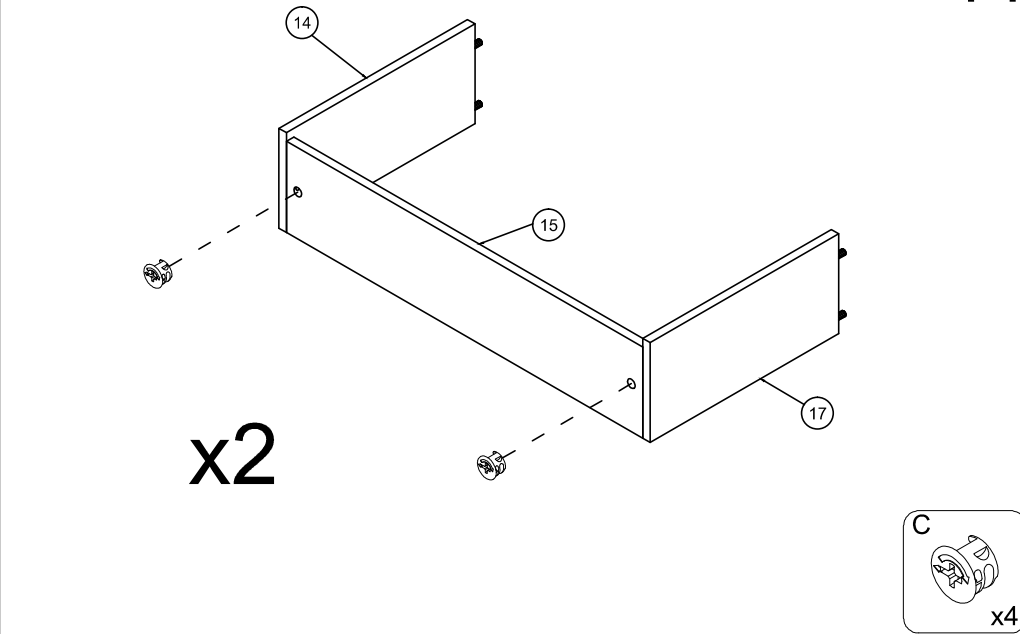
x2

15



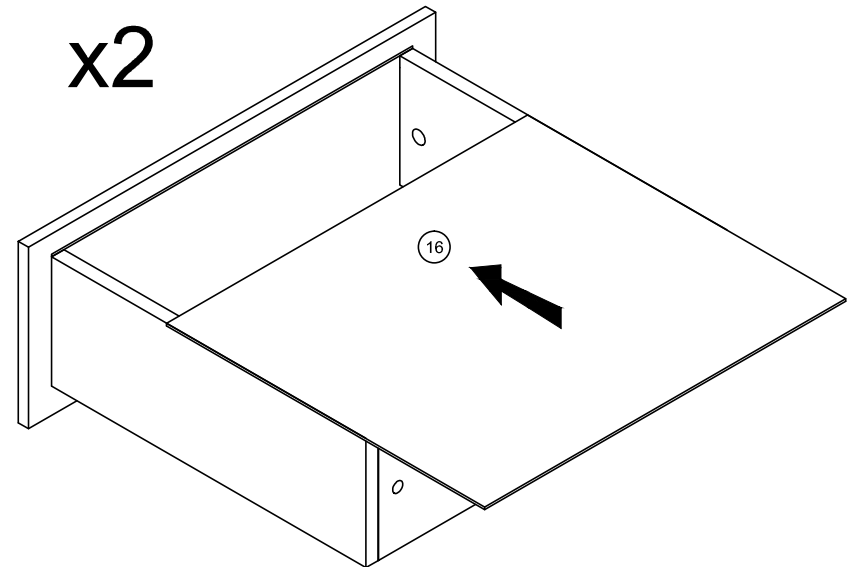
x2

14



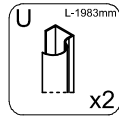
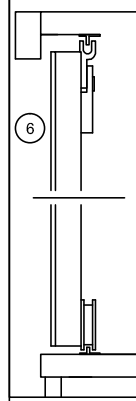
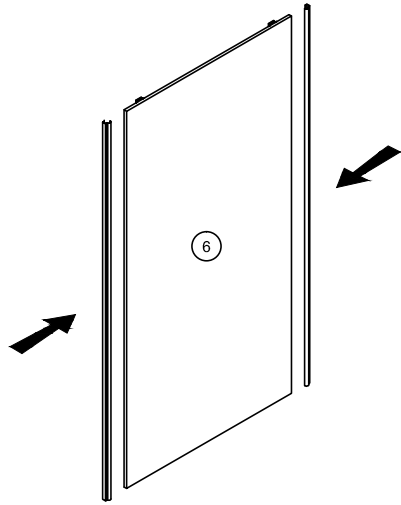
x2

16

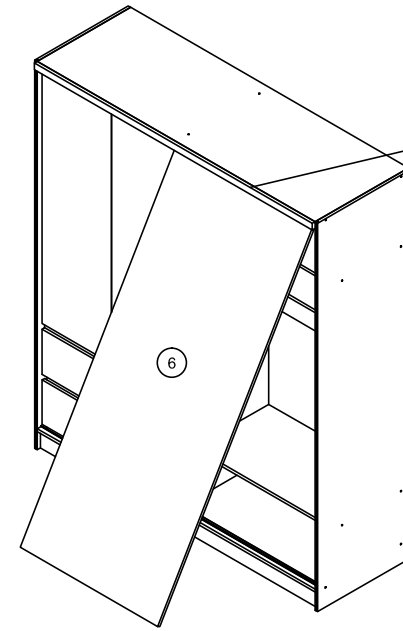


x2

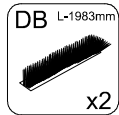
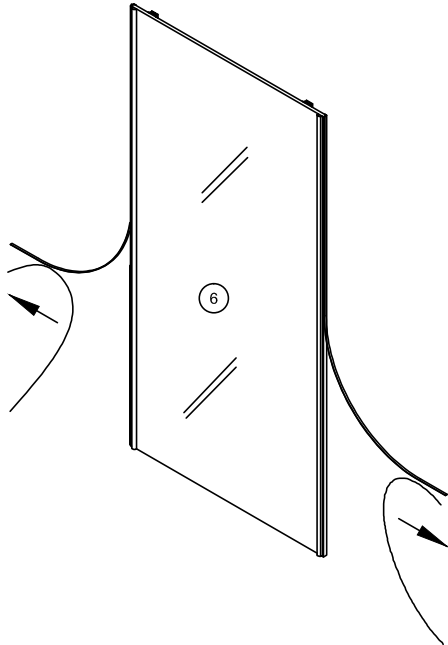
21



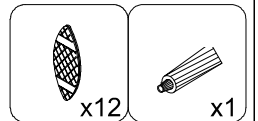
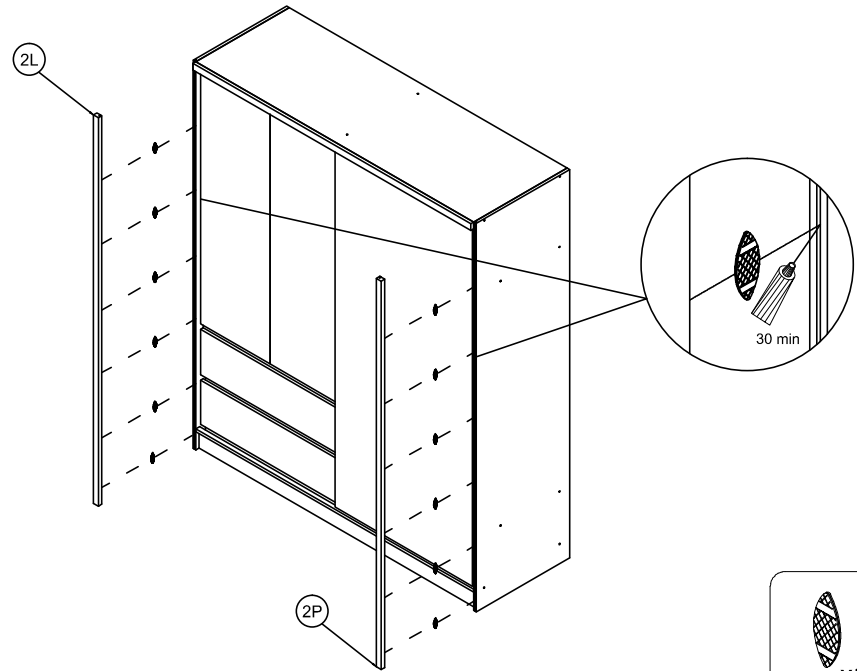
23

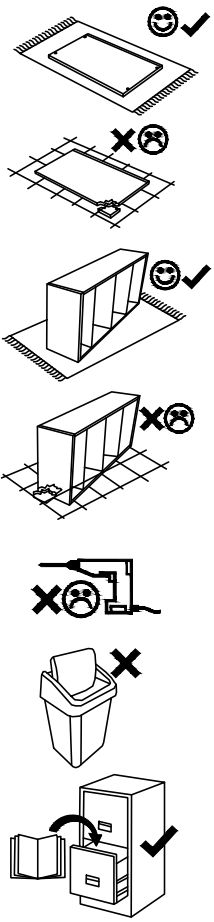


22

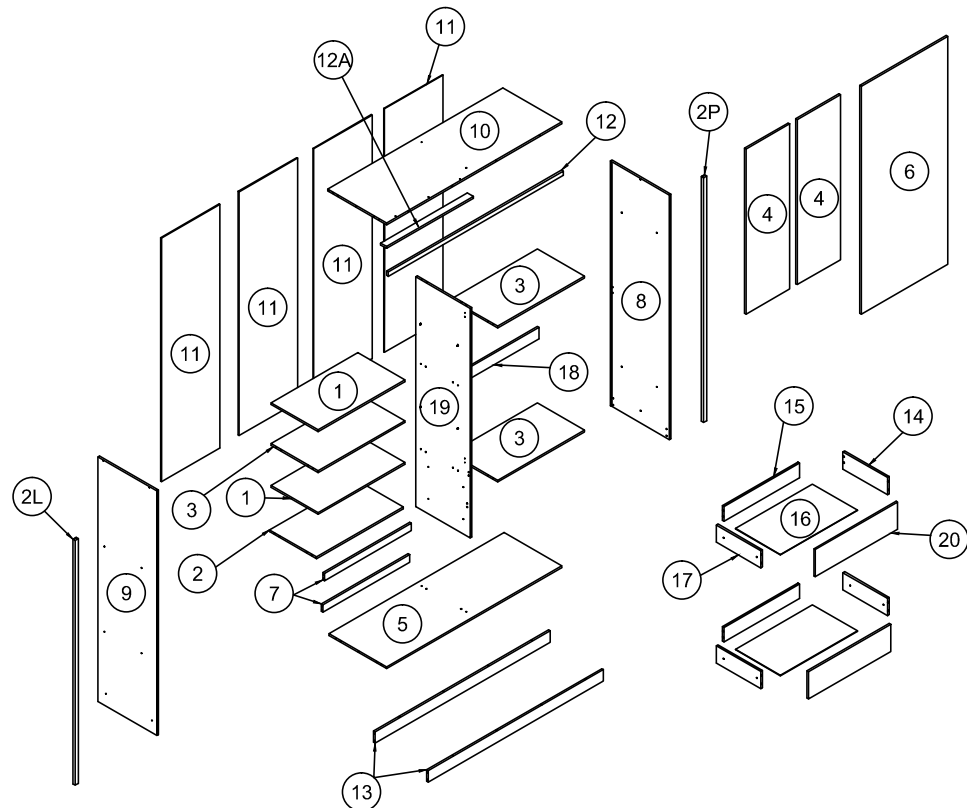
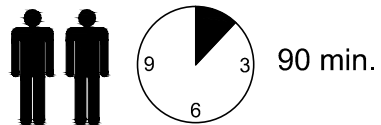
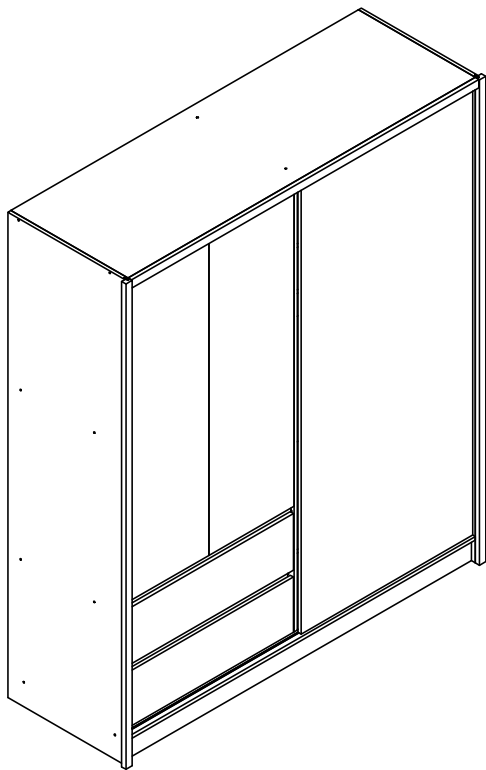


24

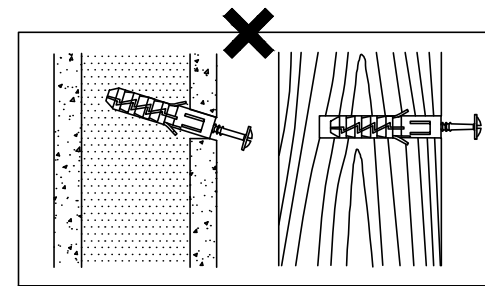
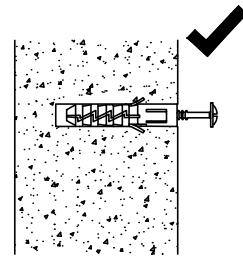
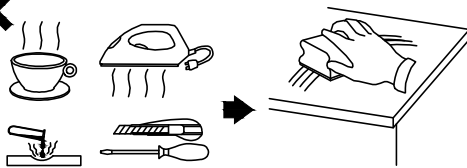
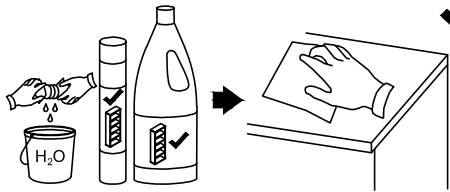
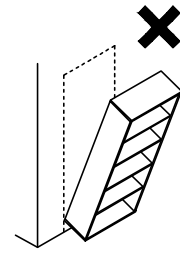
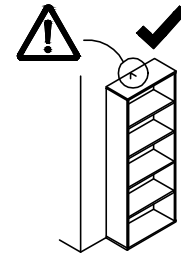
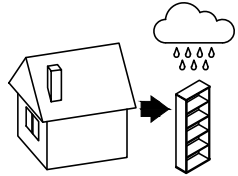
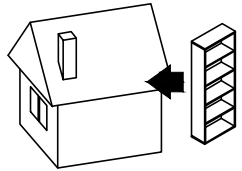


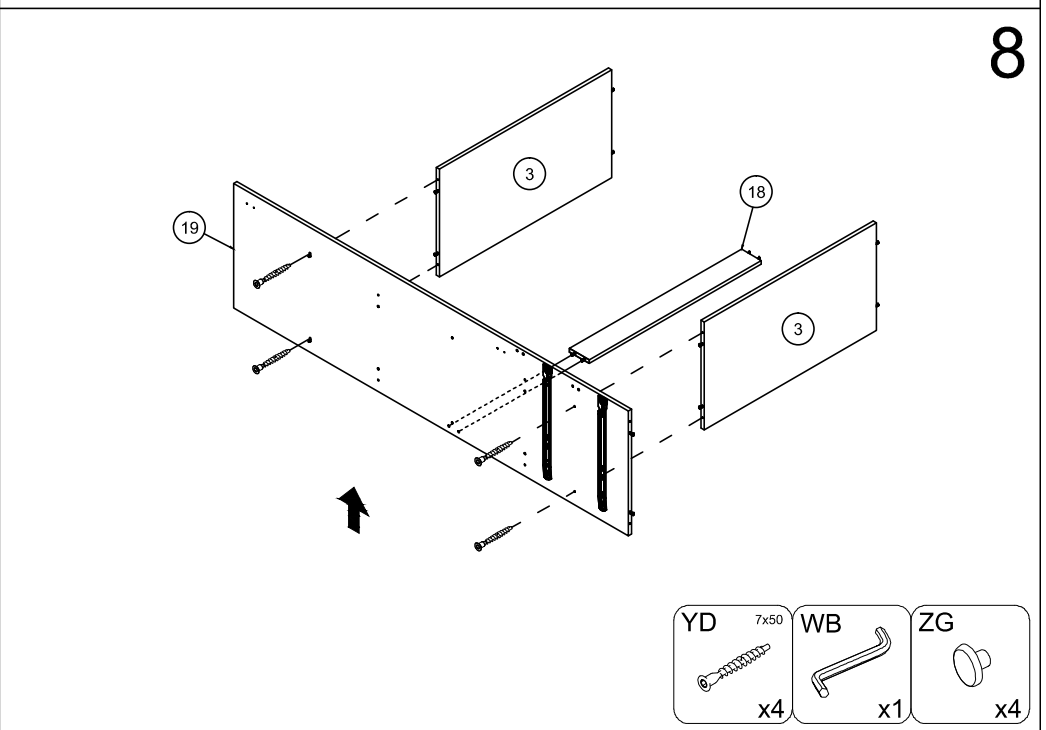
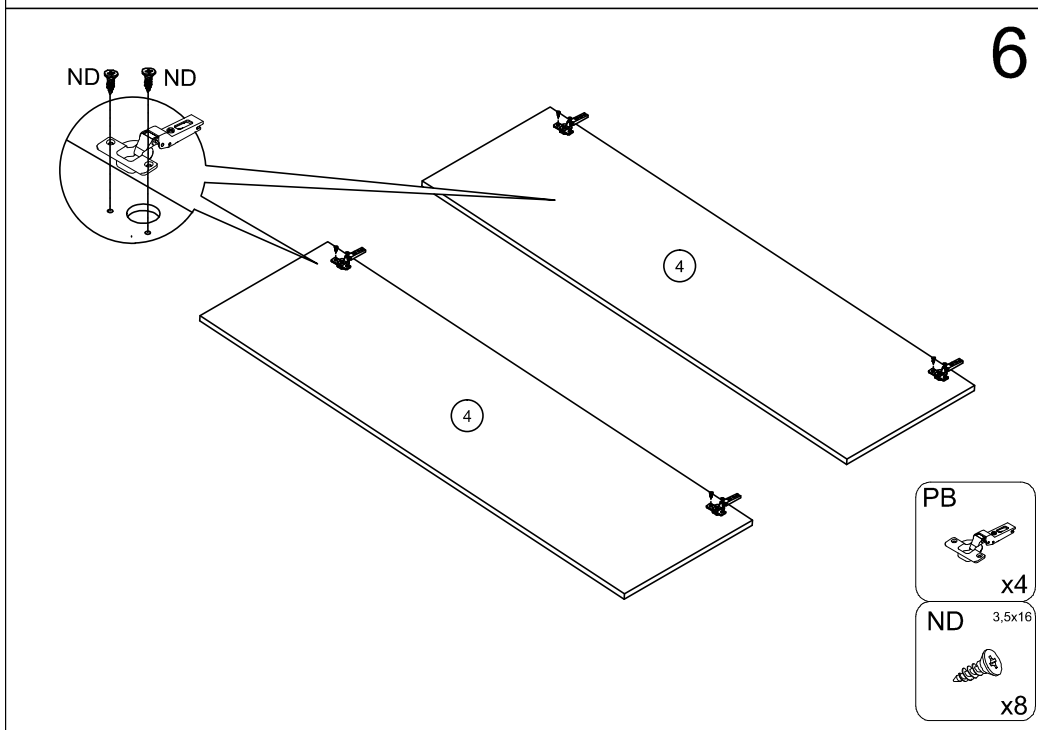
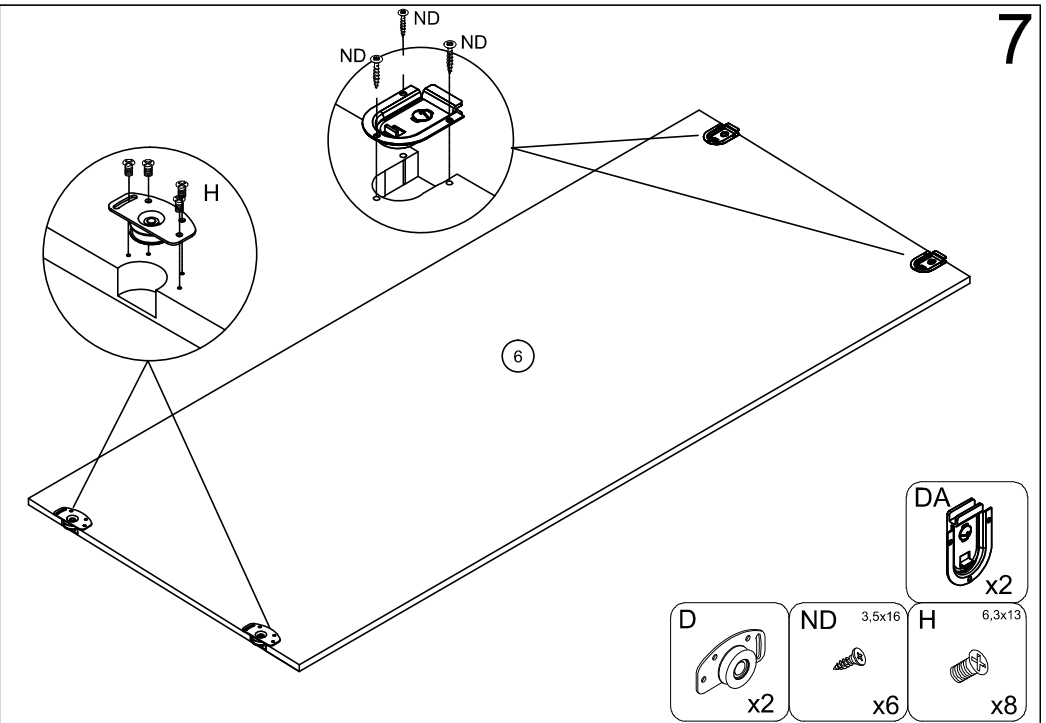
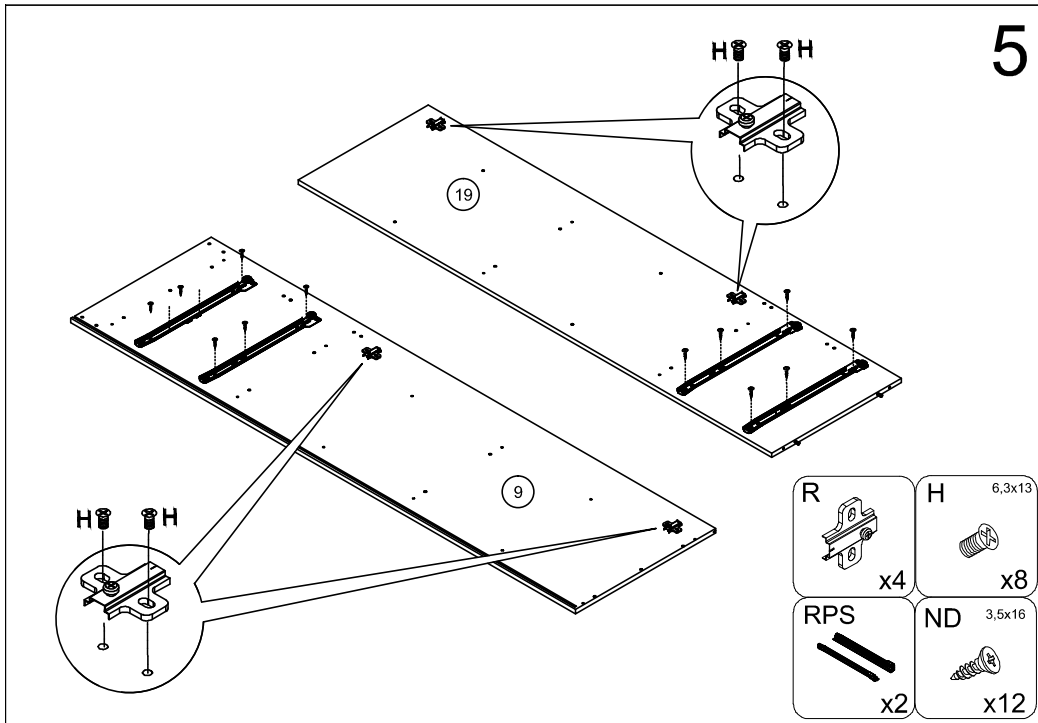


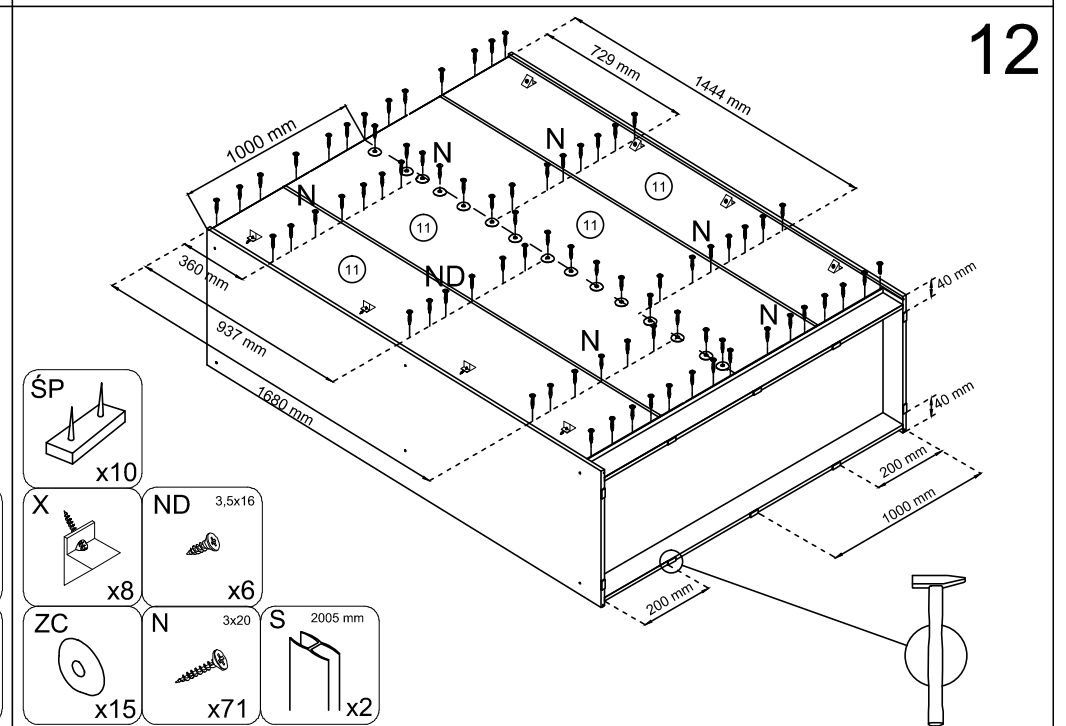
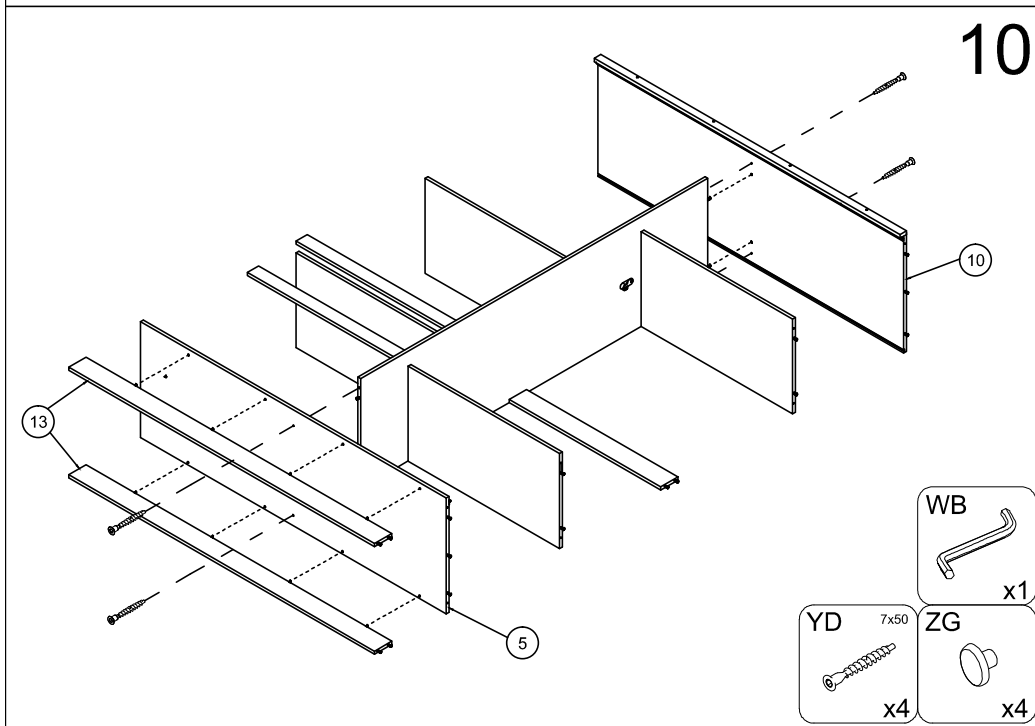
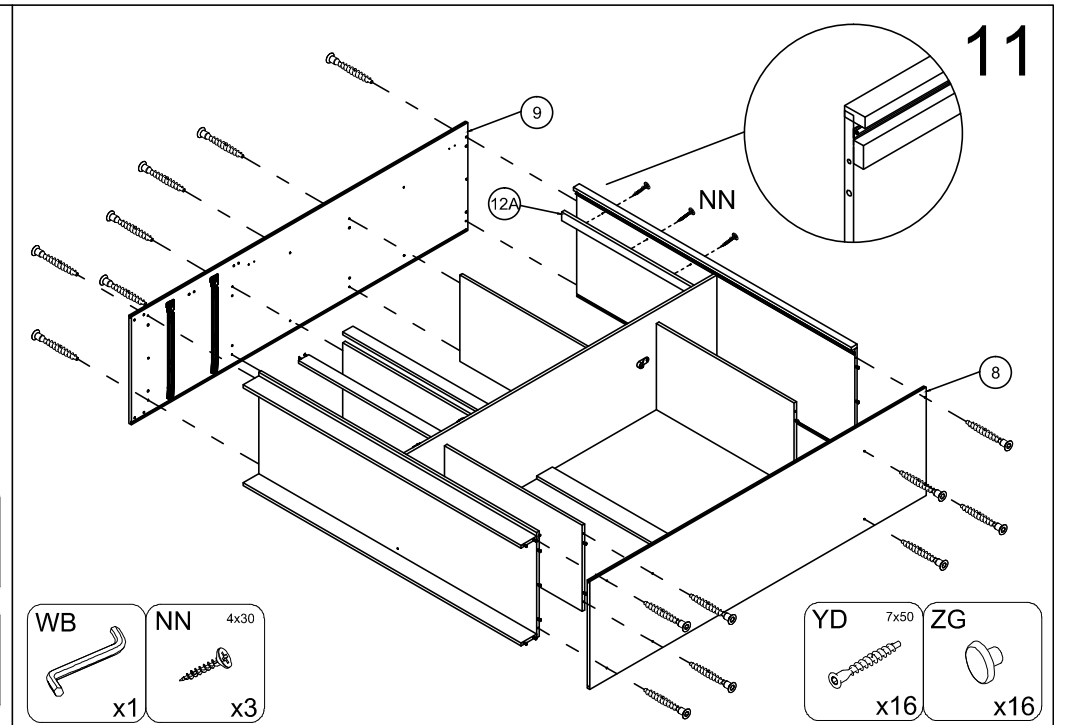
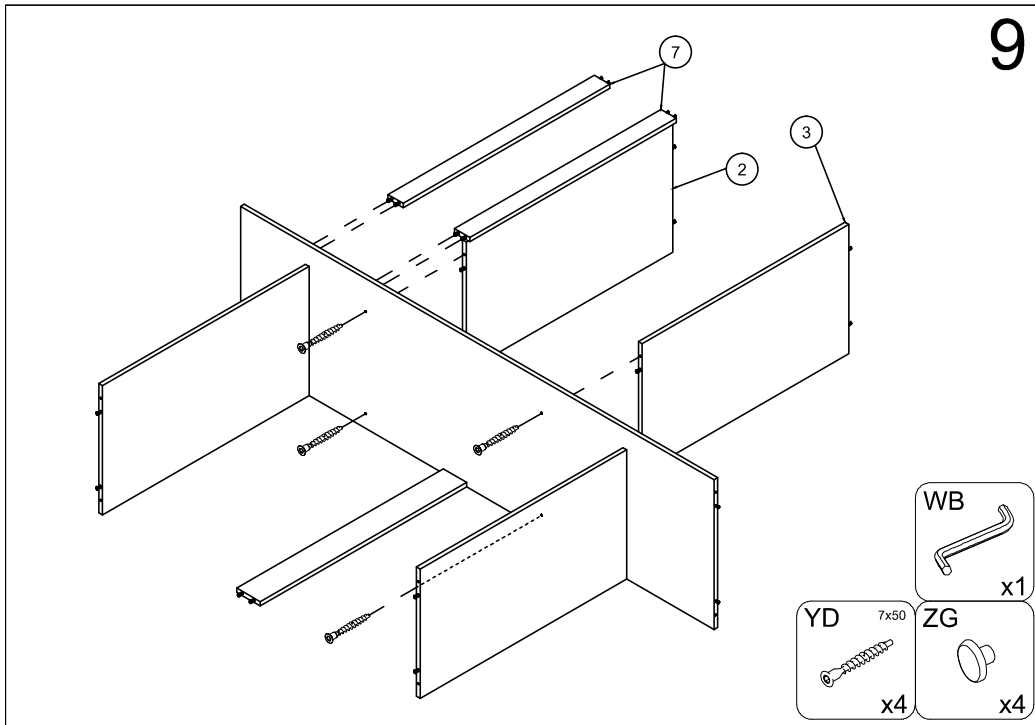
200



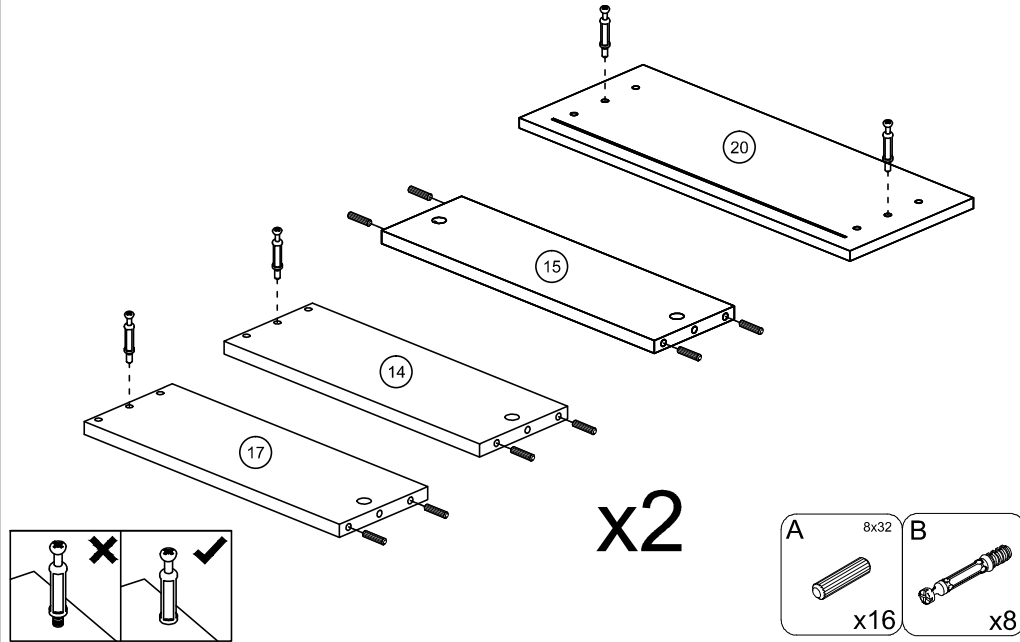
		PR	S 2005 mm	ZC	NN 4x30	WZ	RPS
		x2	x2	x15	x3	x2	x2
PB	ŚP	DB L-1983mm	ZG	V 3x13	ND 3,5x16	YD 7x50	N 3x20
x4	x10	x2	x28	x10	x52	x28	x87
LM	H 6,3x13	X	W6 L-968mm	WB	R	U L-1983mm	
x12	x16	x8	x1	x1	x4	x1	x2
ZB	A 8x32	B	C	Z	T	DA	D
x8	x76	x12	x12	x4	x2	x2	x2



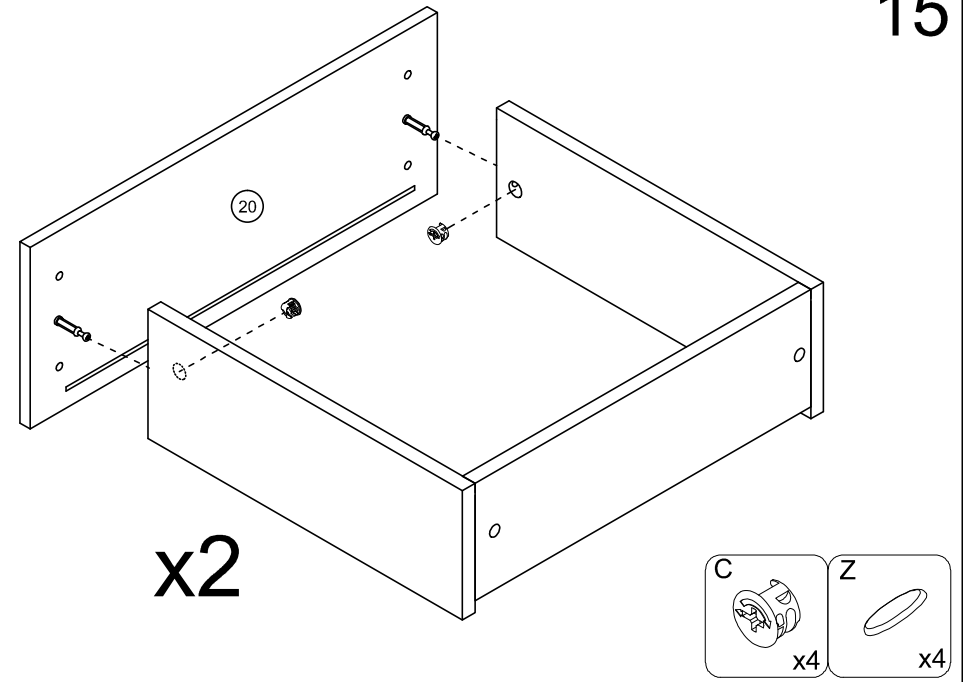




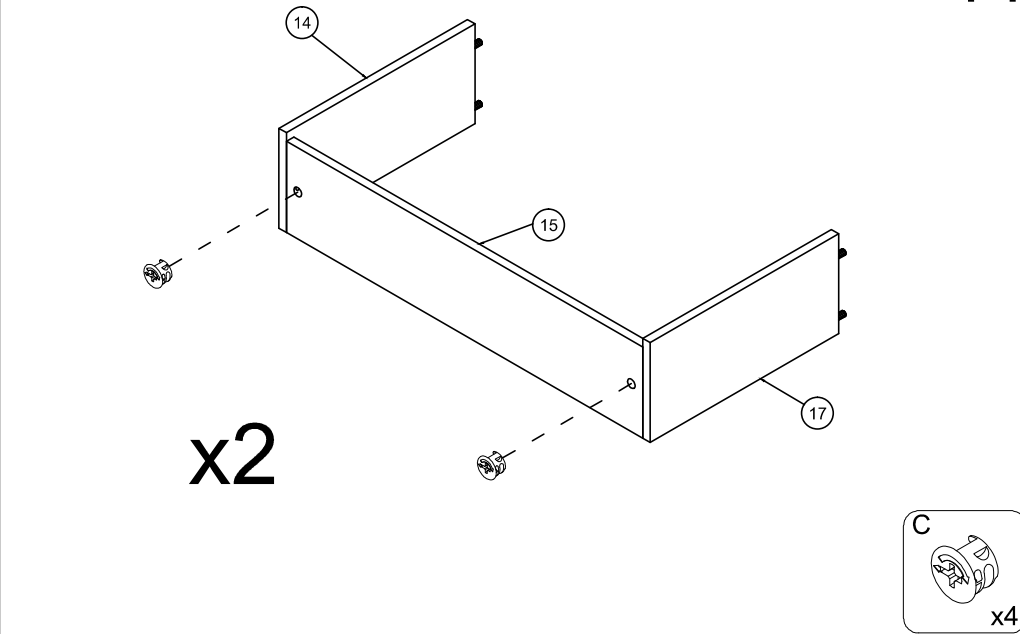
13



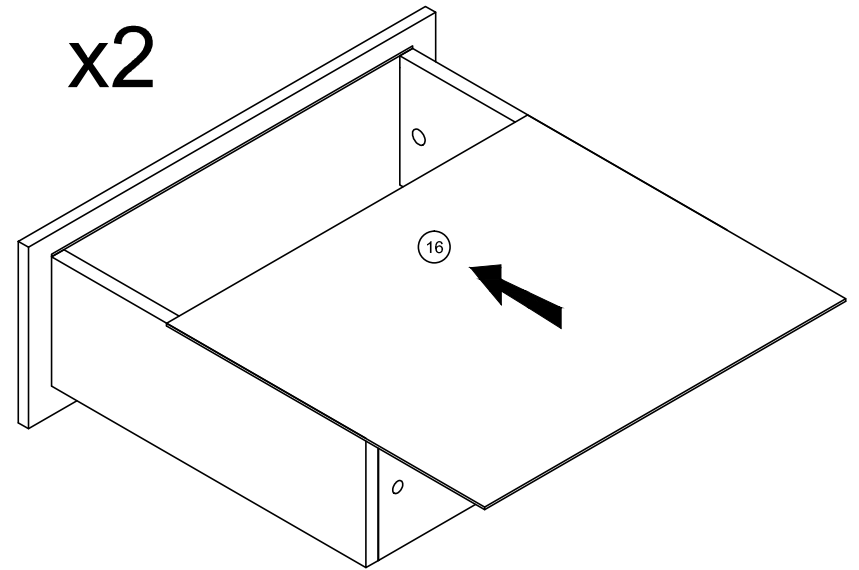
15

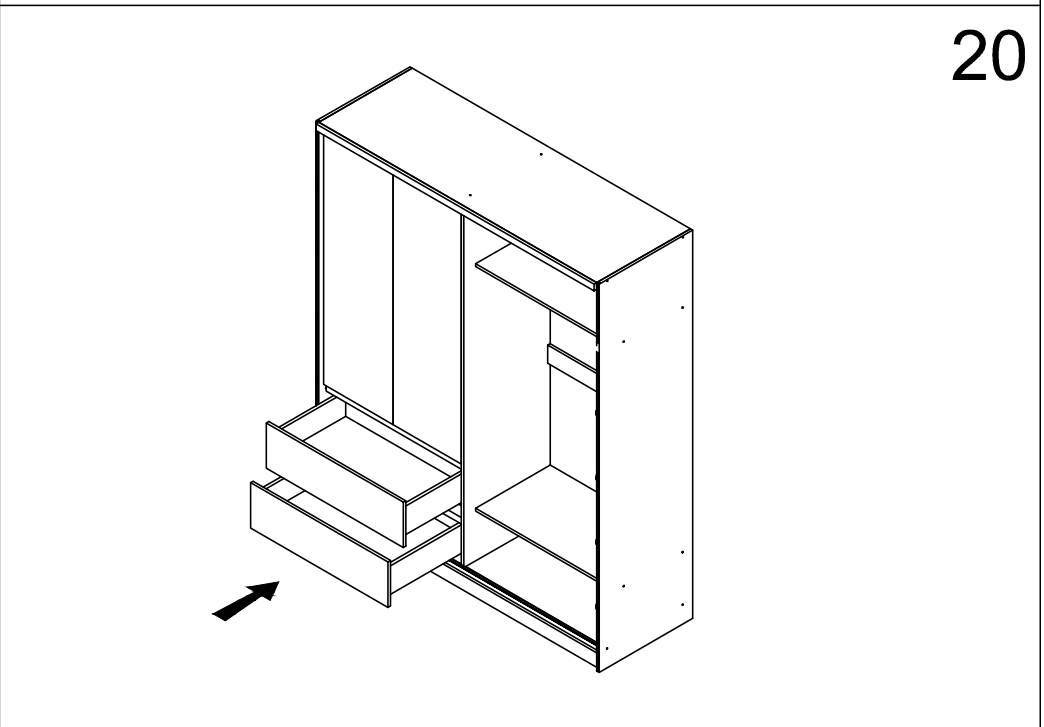
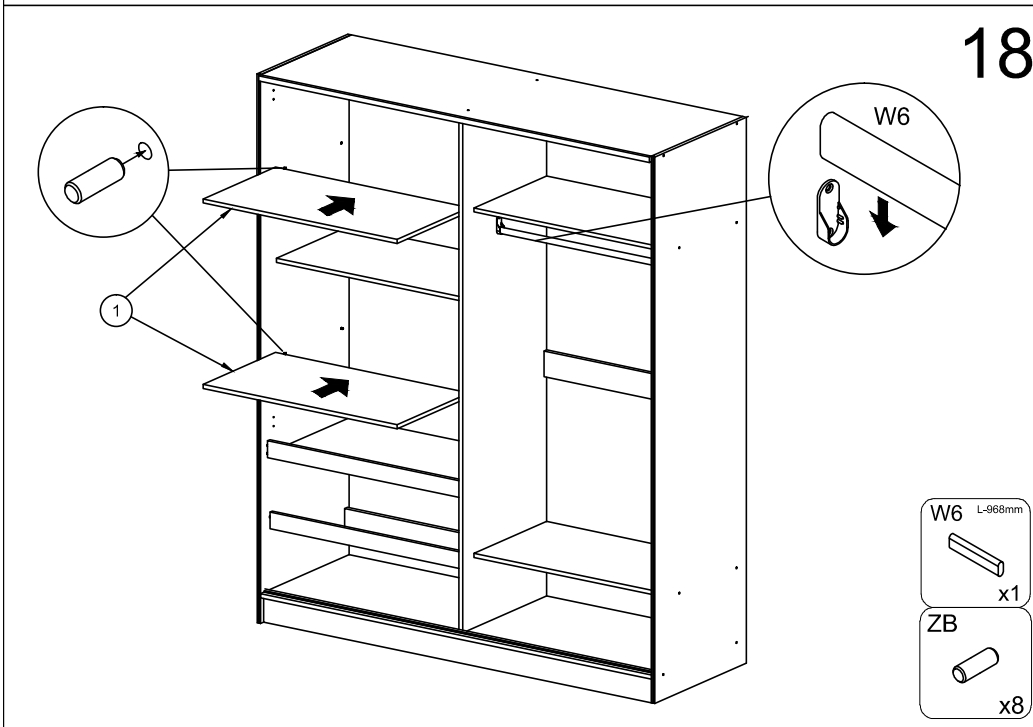
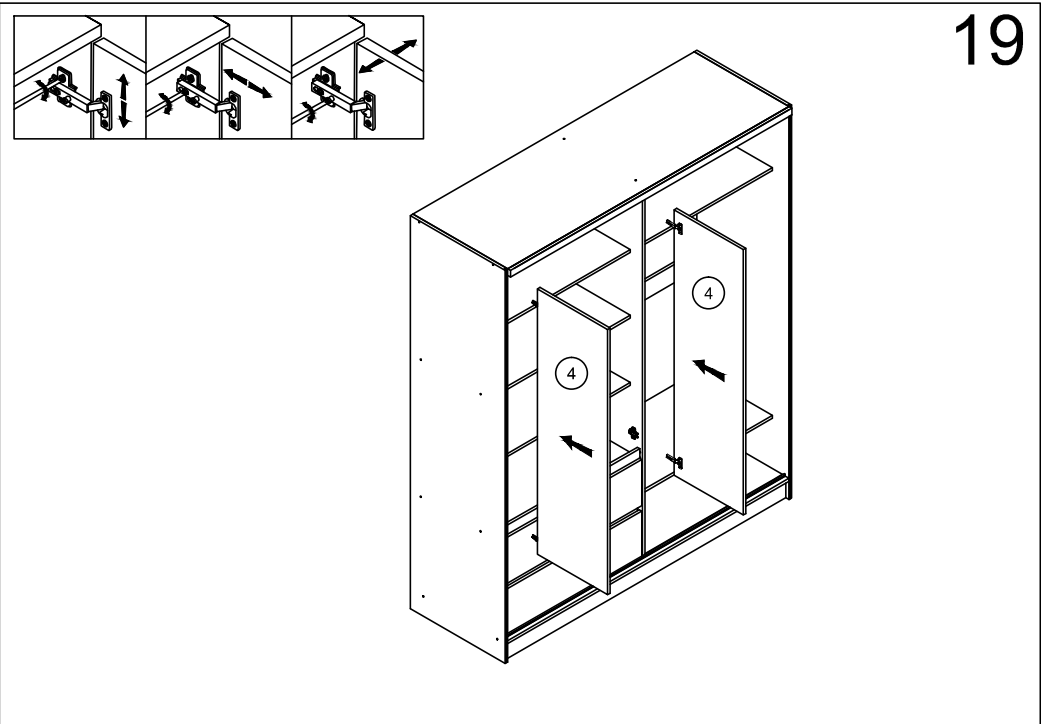
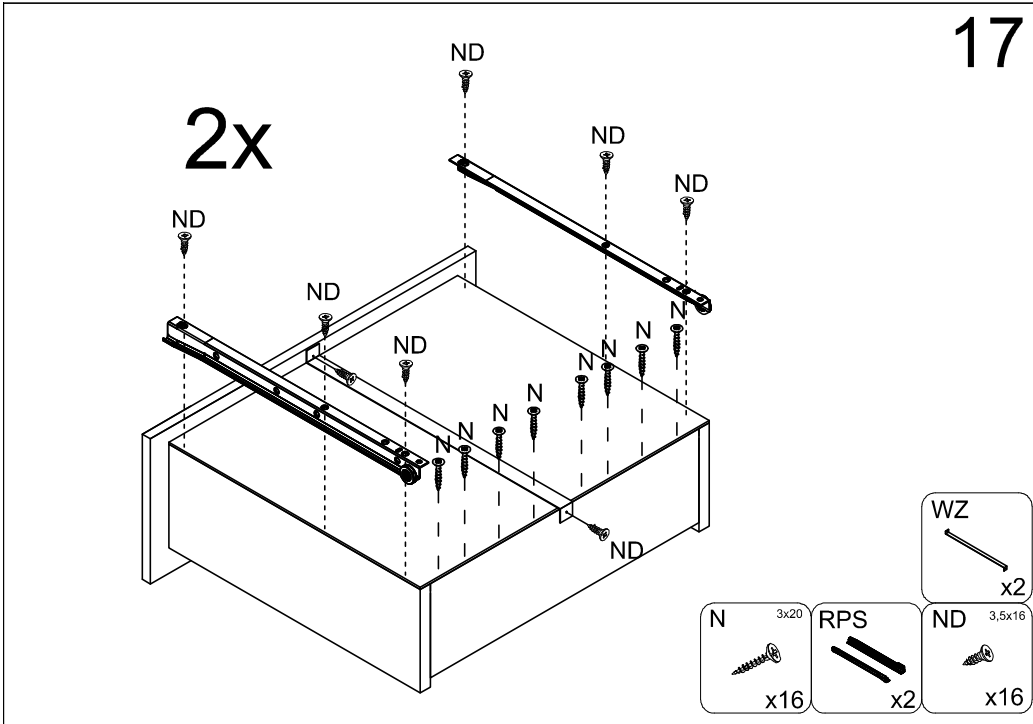


14

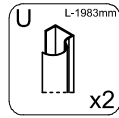
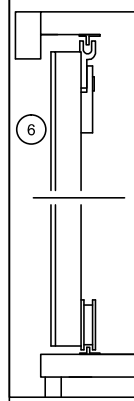
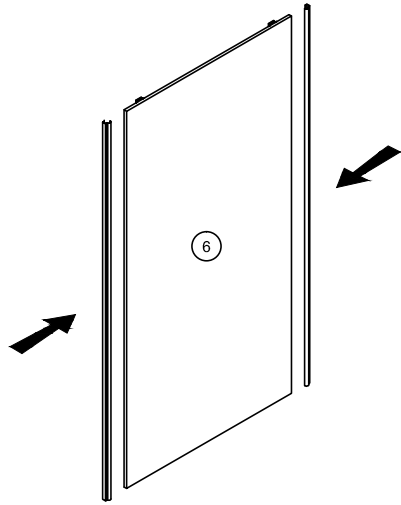


16

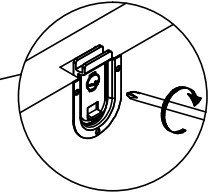
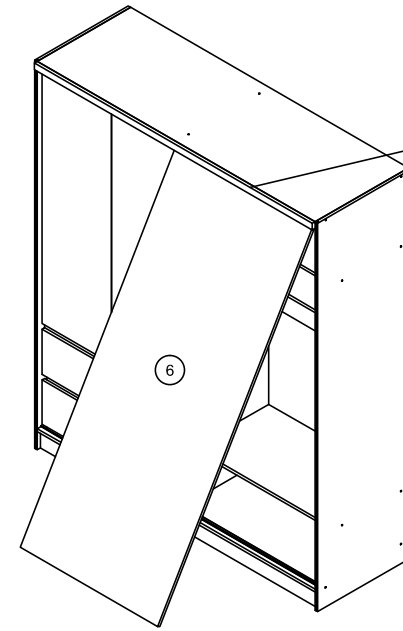




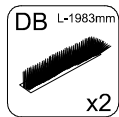
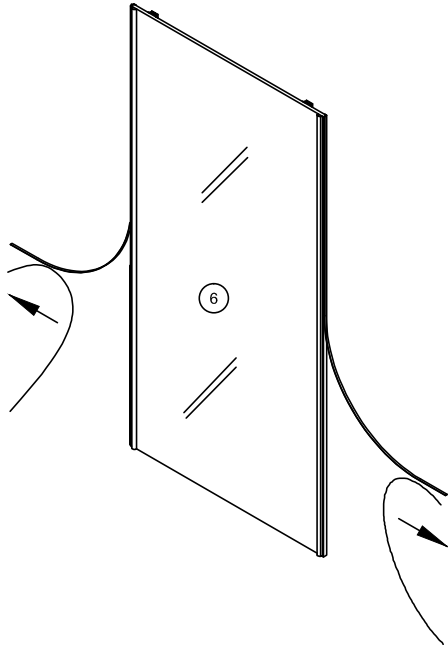
21



23



22



24

