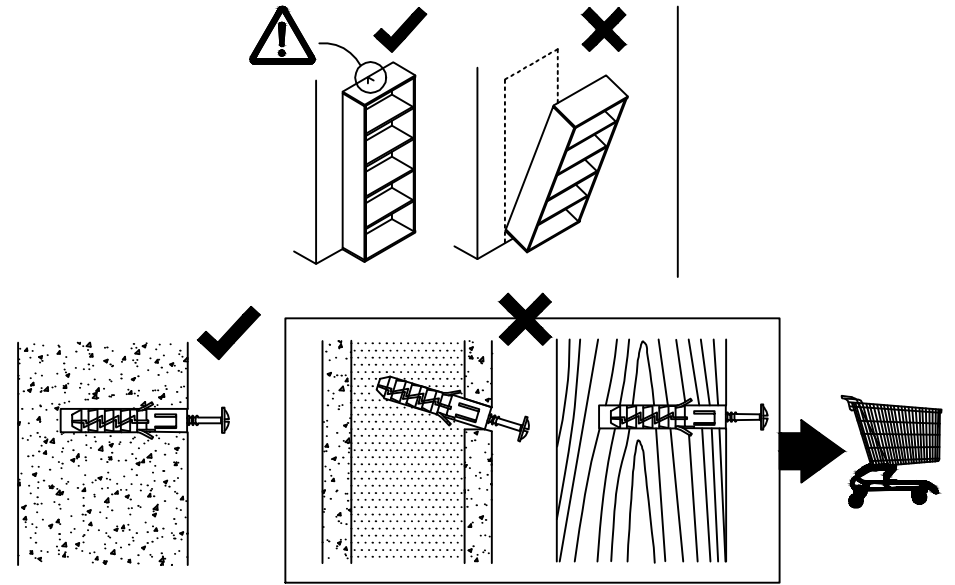
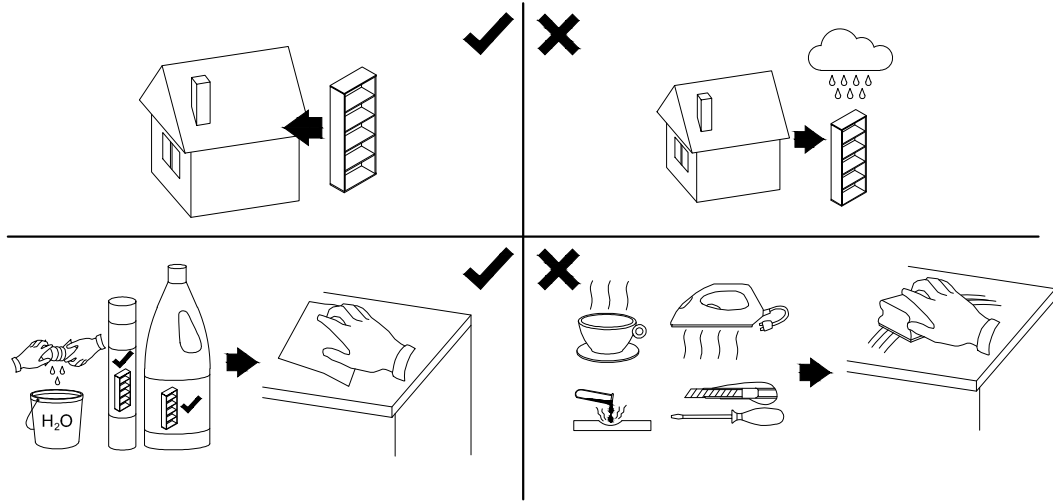
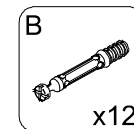
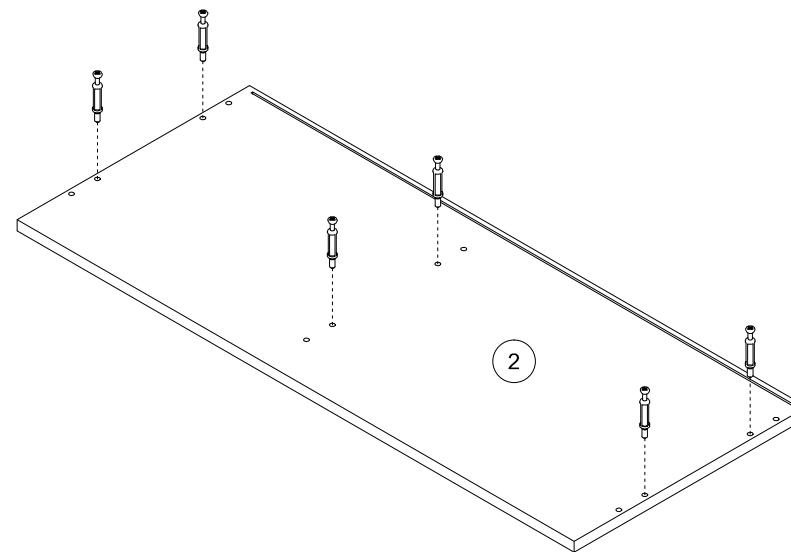
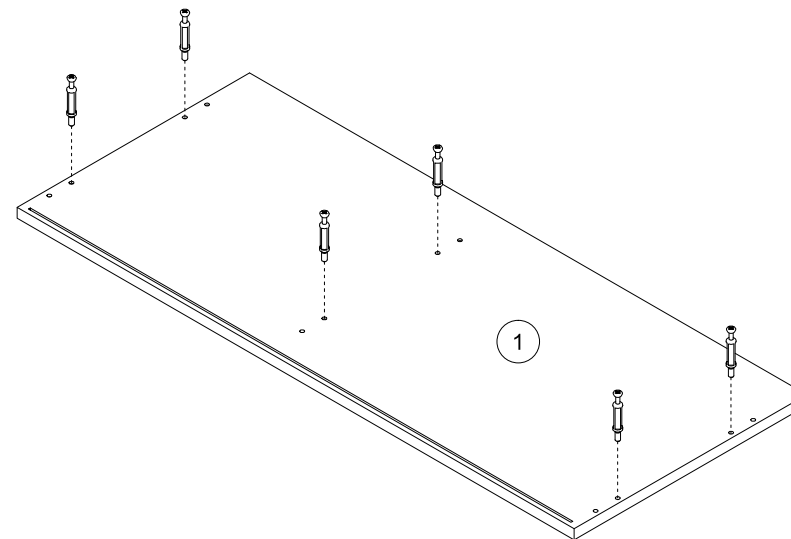
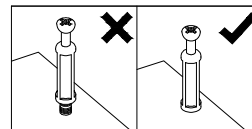
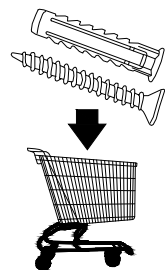
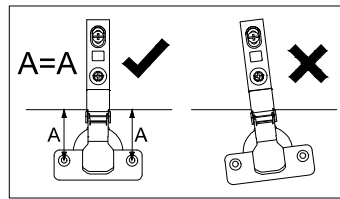
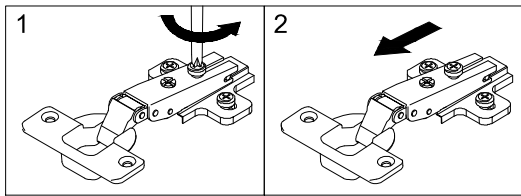


					V 3x13 x4
ZA x1	V3 4x16 x4	ZZ x8	W+H2 x4	C x20	Z x20
ND 3,5x16 x15	X x16	B x20	A 8x32 x20	TA x1	ZC x9
N 3x20 x13	R5 x2	ZE x4	KS x4		

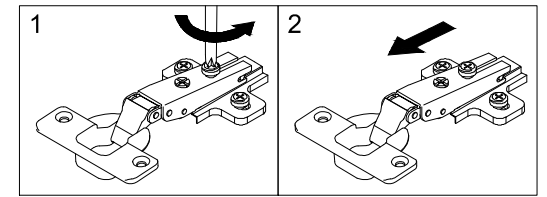
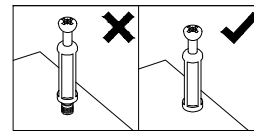


1	934	390	16	x1	2 / 3
2	934	390	16	x1	2 / 3
3	1118	390	16	x1	2 / 3
4	1118	357	16	x1	2 / 3
5	1118	390	16	x1	2 / 3
6A	1130	507	3	x1	3 / 3
6B	1130	407	3	x1	3 / 3
7	393	350	16	x2	3 / 3
8	392	350	4	x1	3 / 3
9	493	350	16	x2	3 / 3
10	324	396	16	x1	3 / 3
11	544	387	4	x1	3 / 3
12	324	396	16	x1	3 / 3
13	1111	496	16	x4	3 / 3

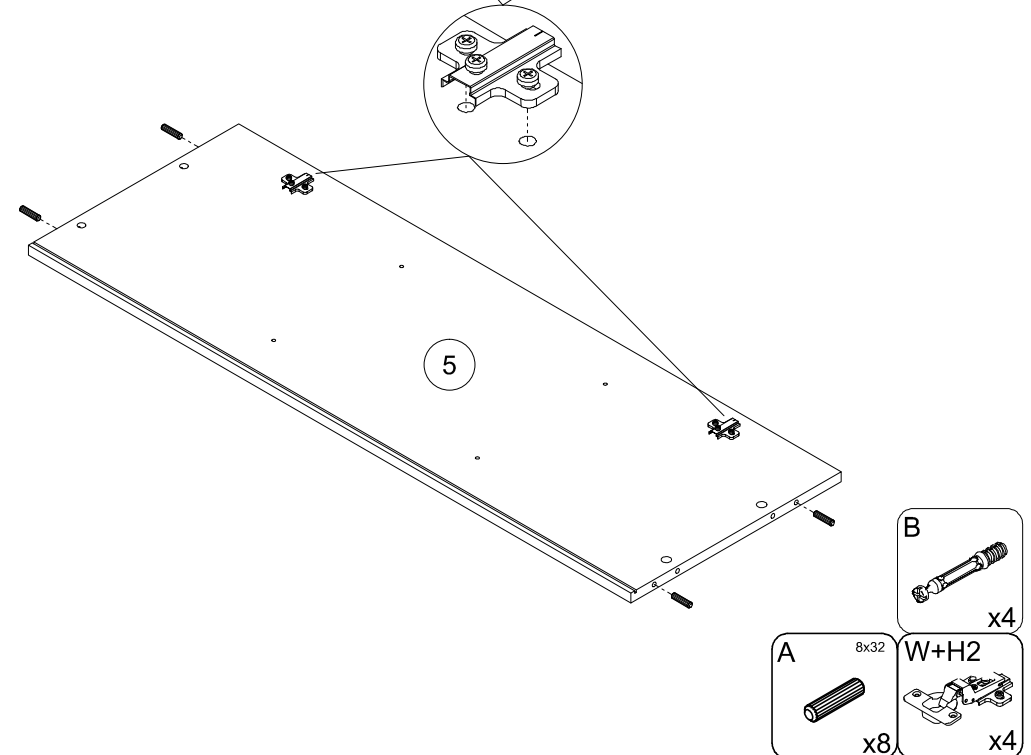
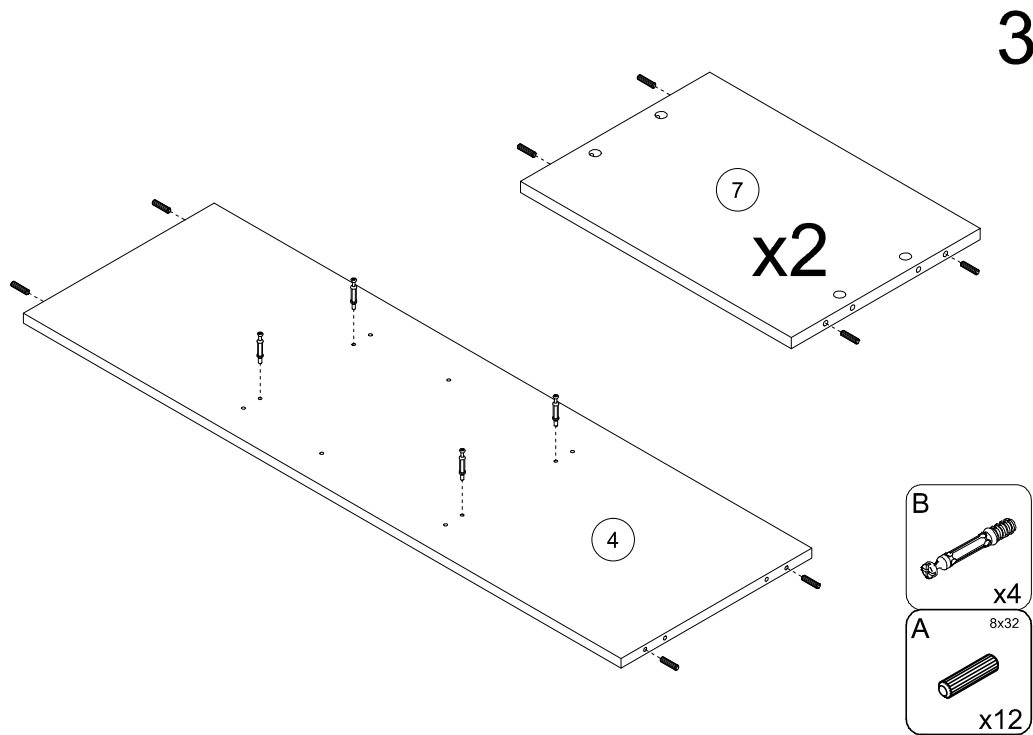
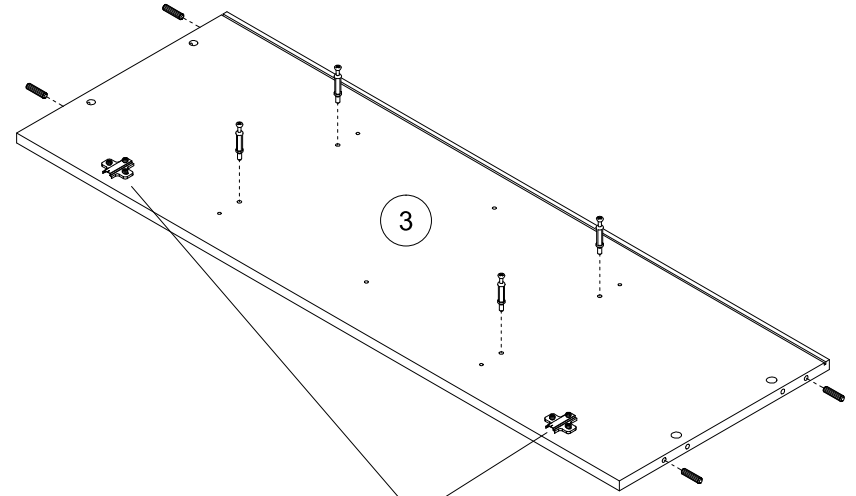
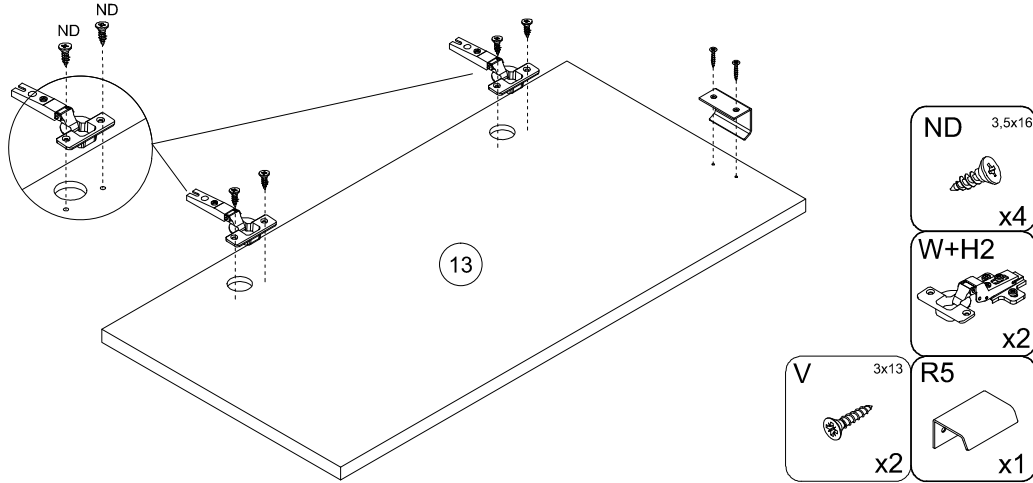


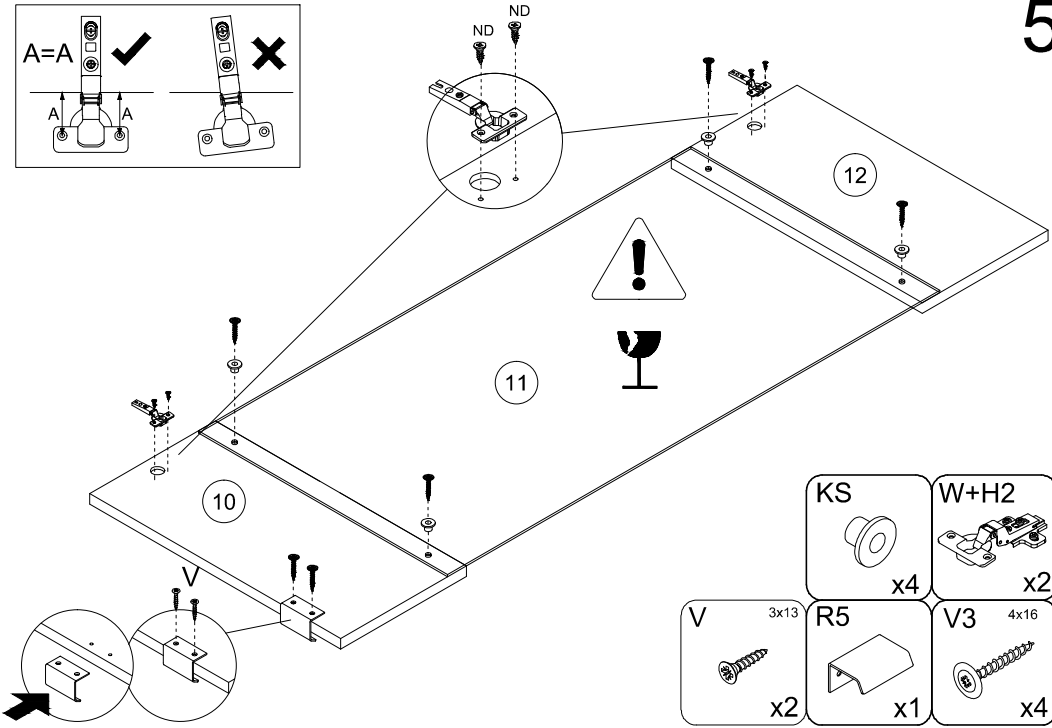
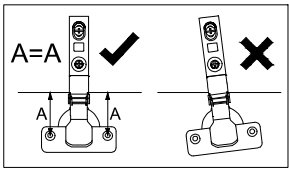


2

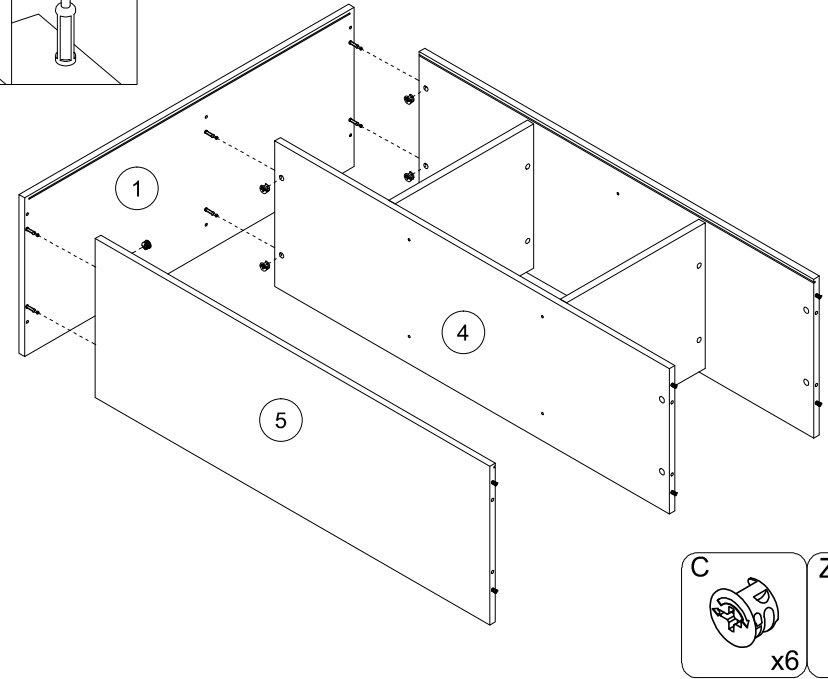
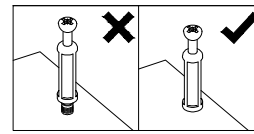


4

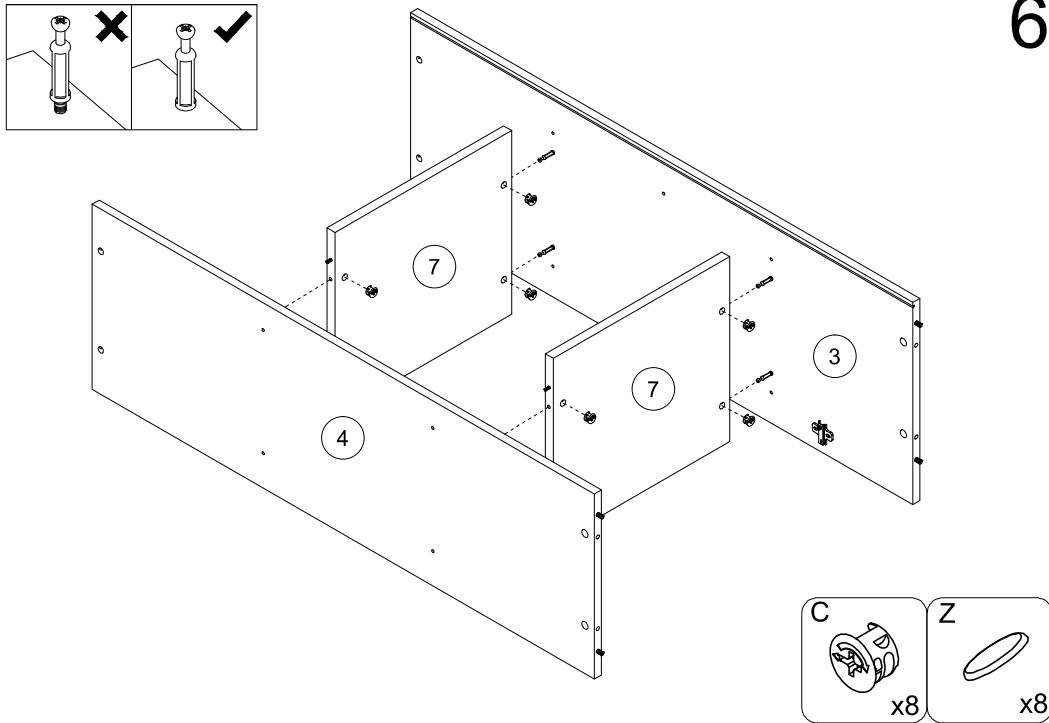
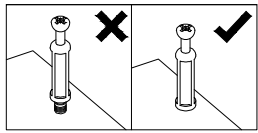




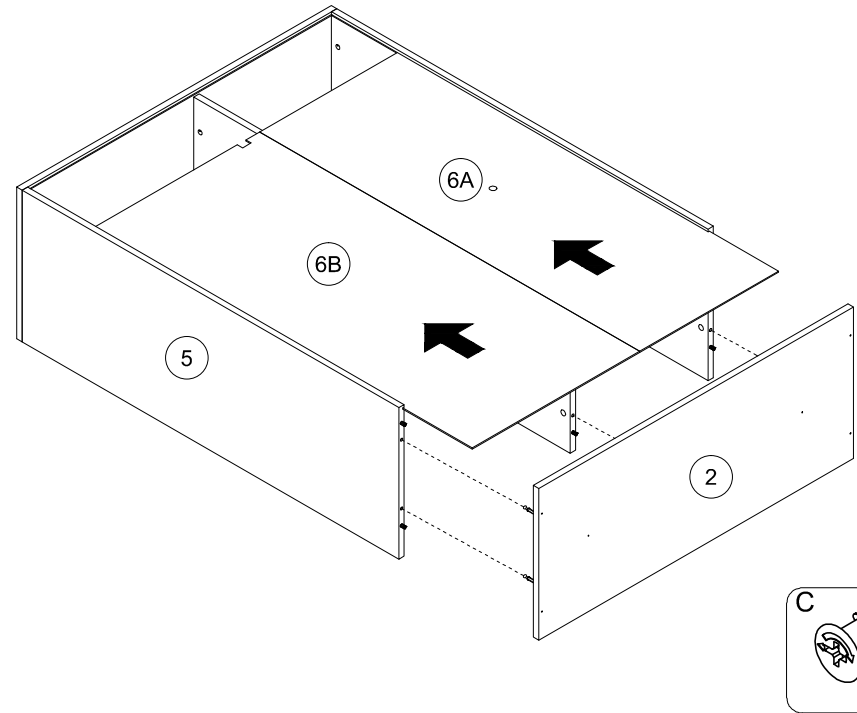
5



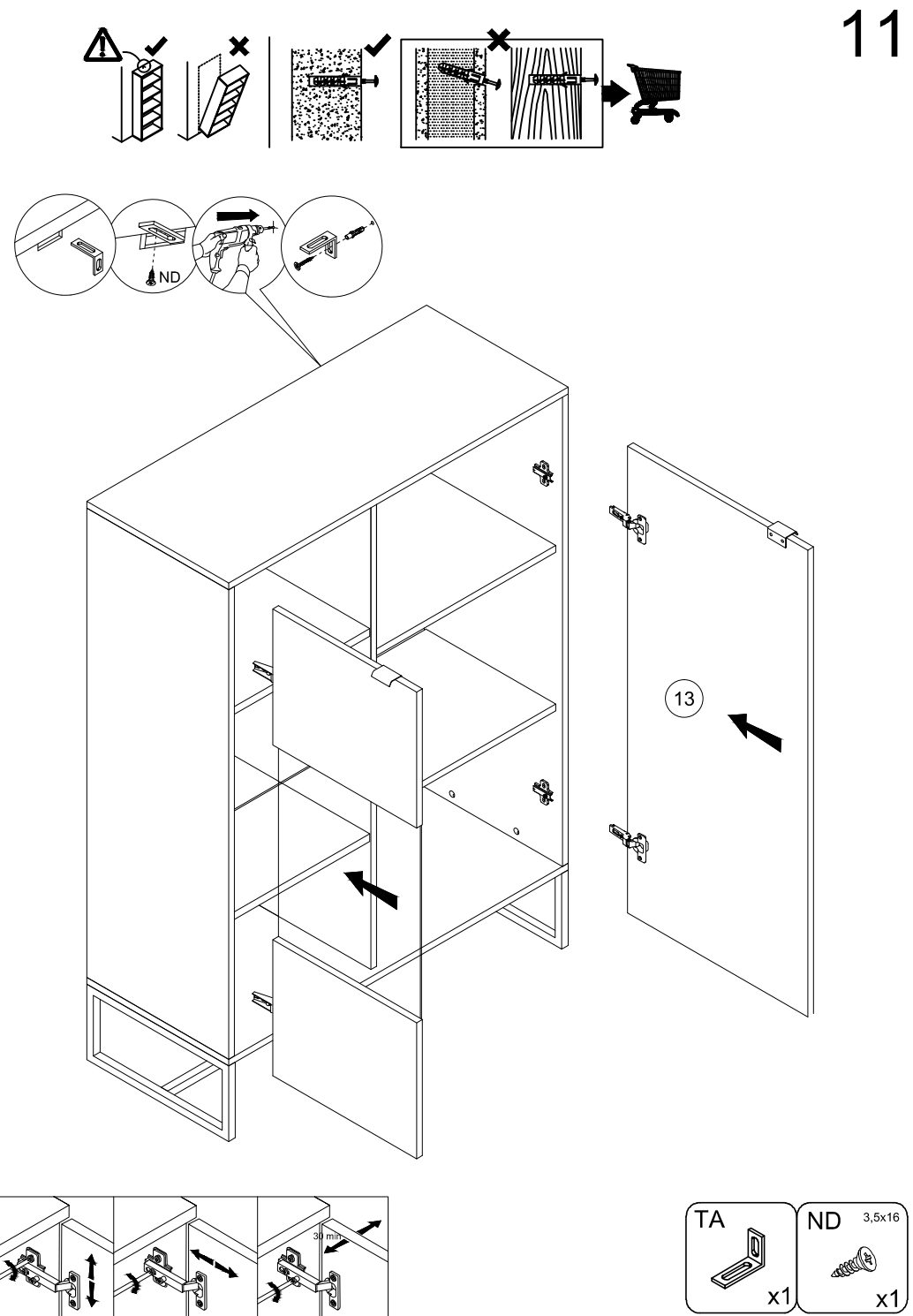
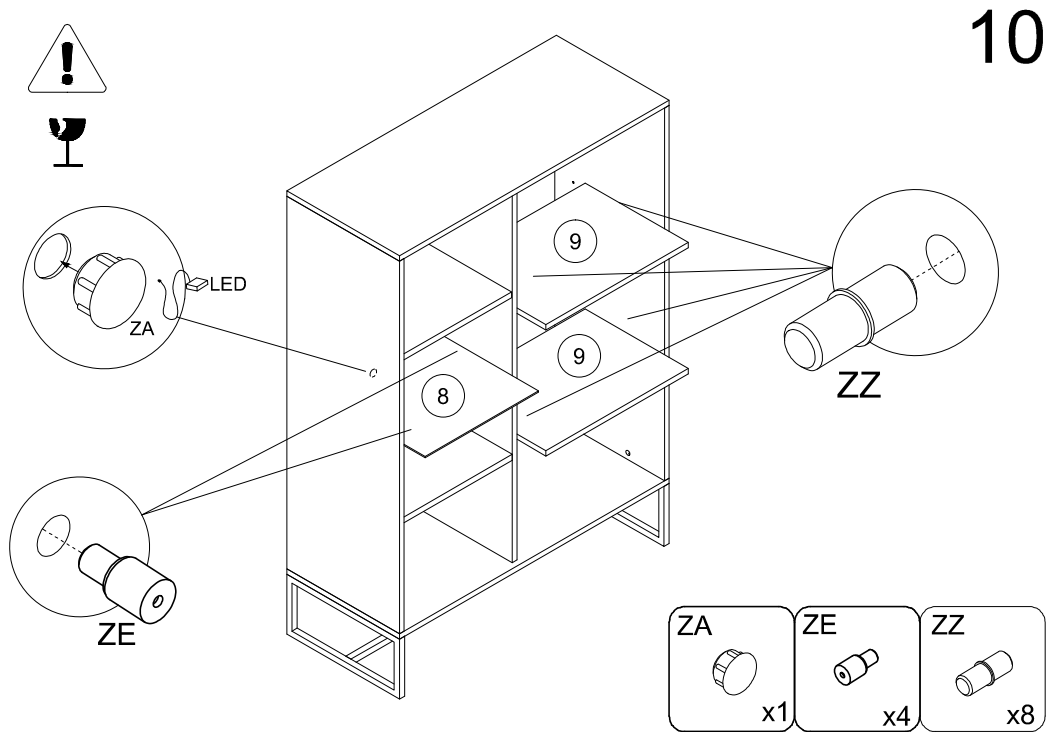
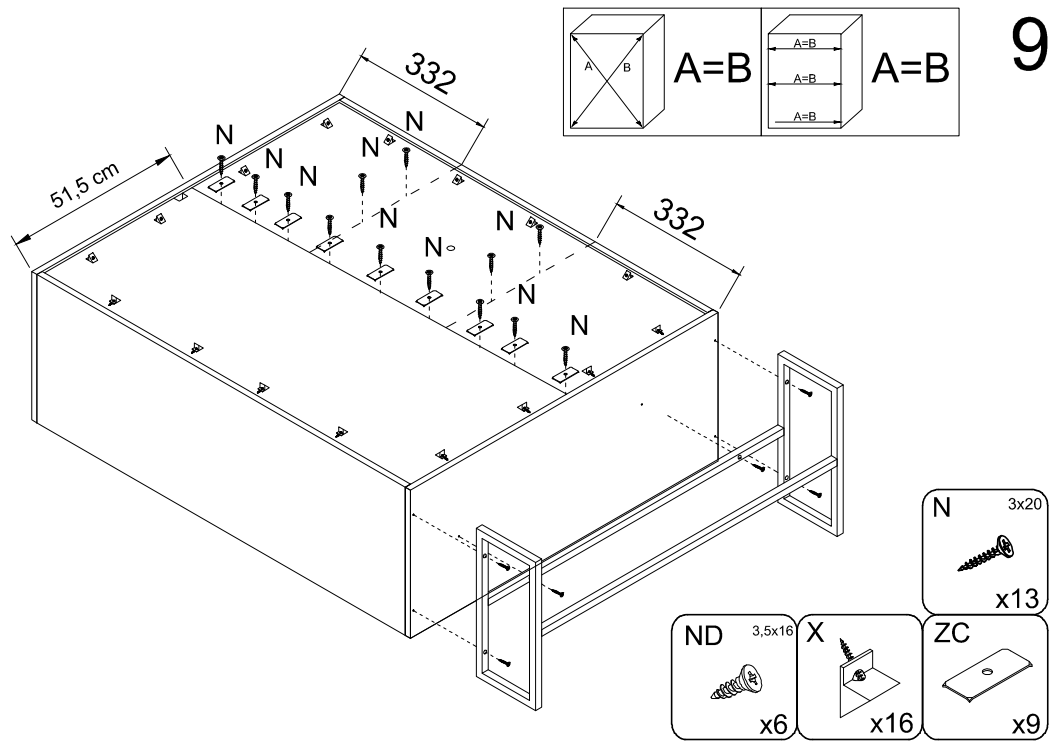
7

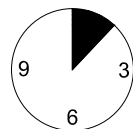
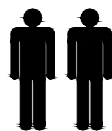
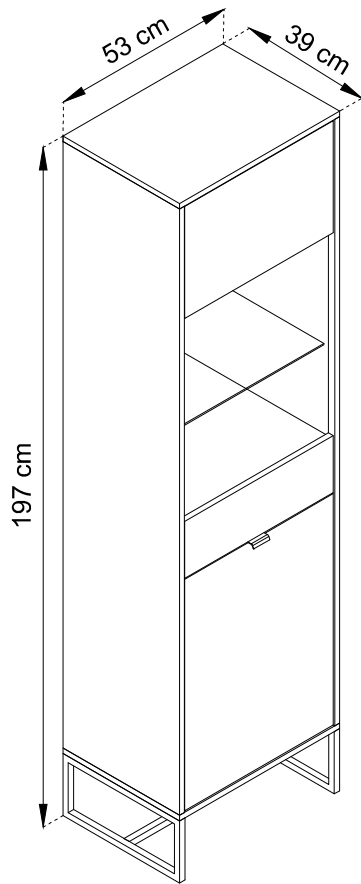
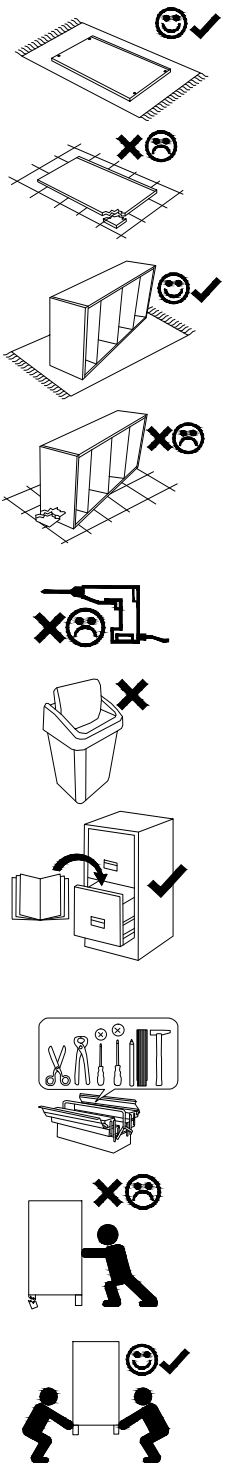


6

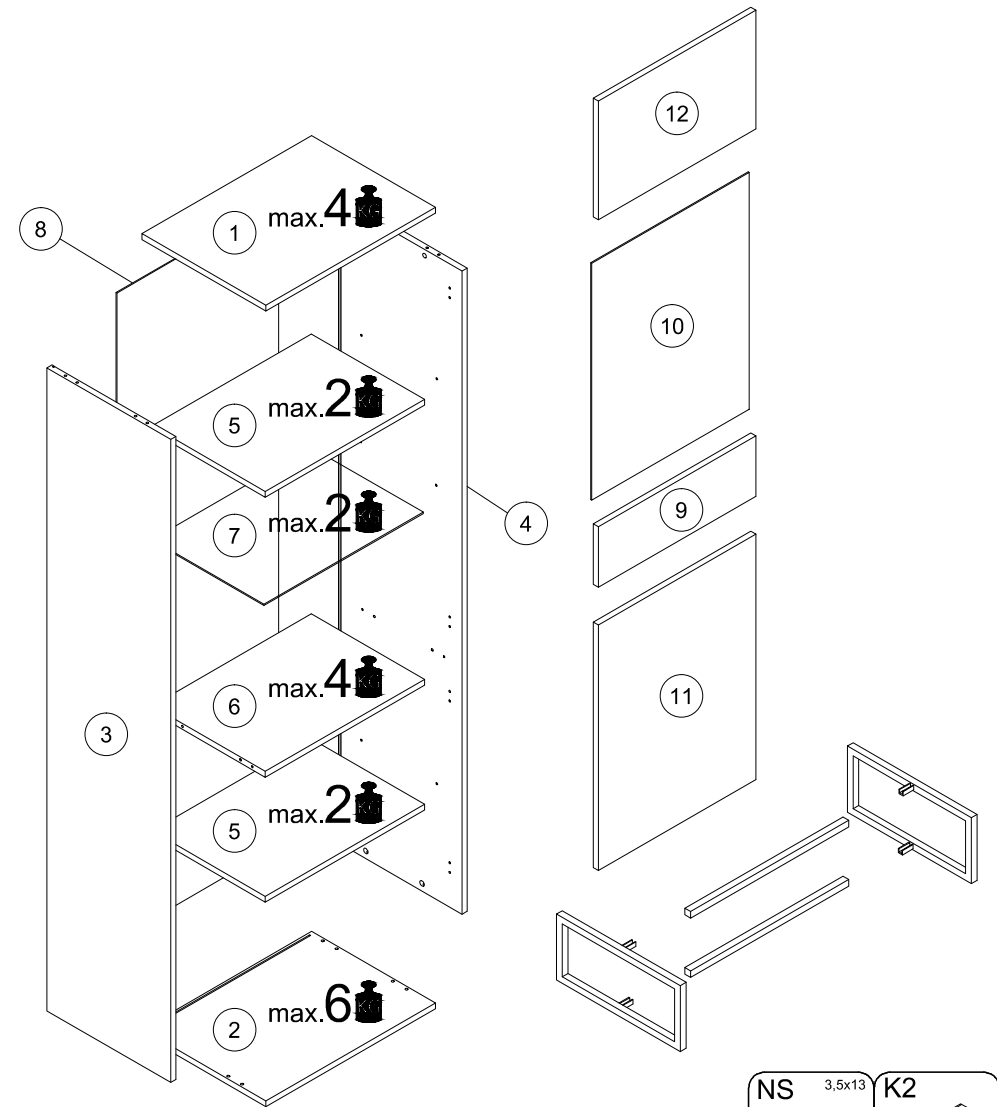


8

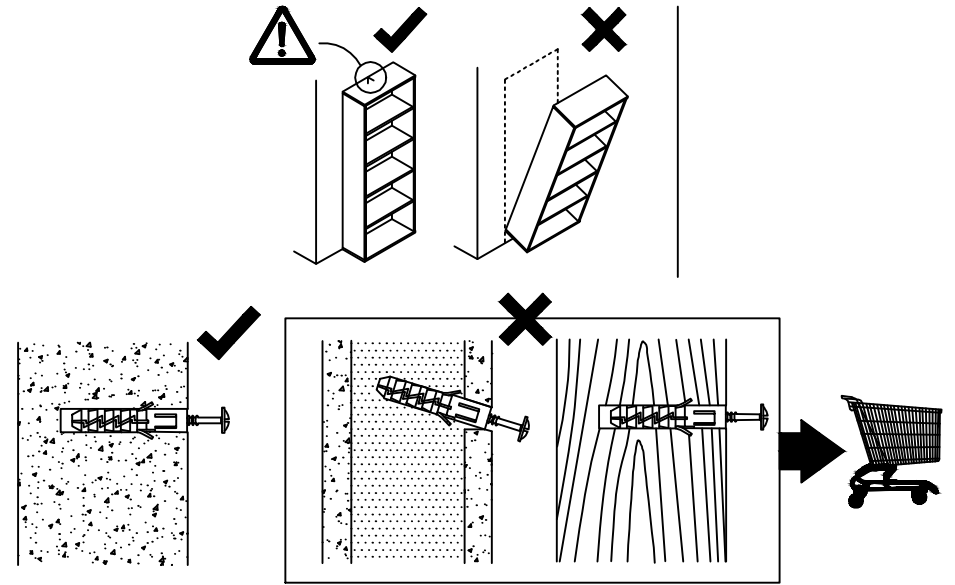
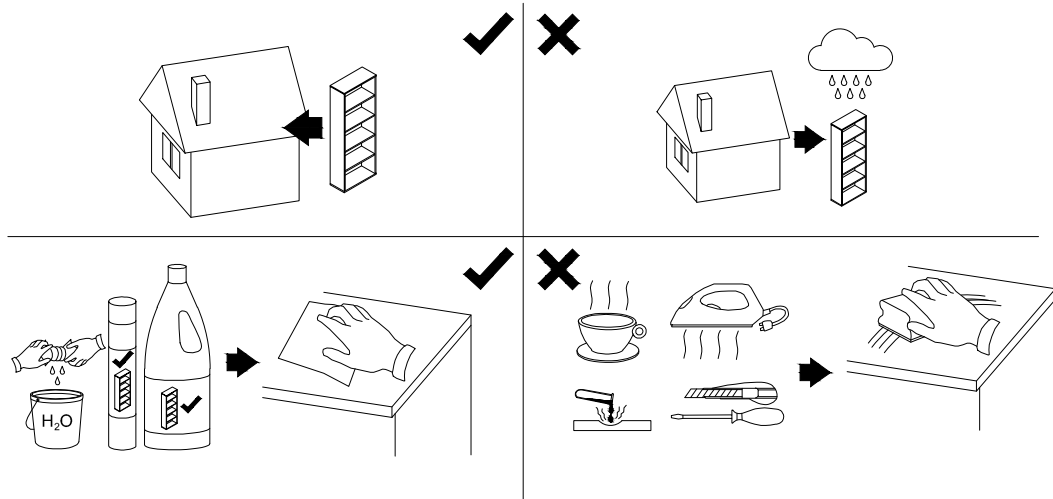




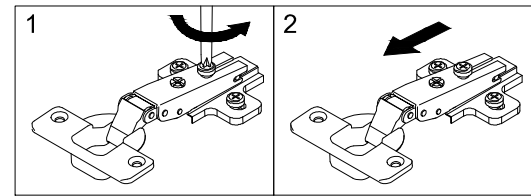
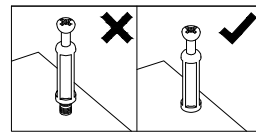
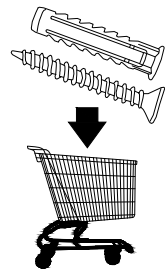
50 min.



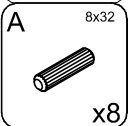
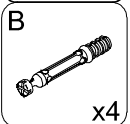
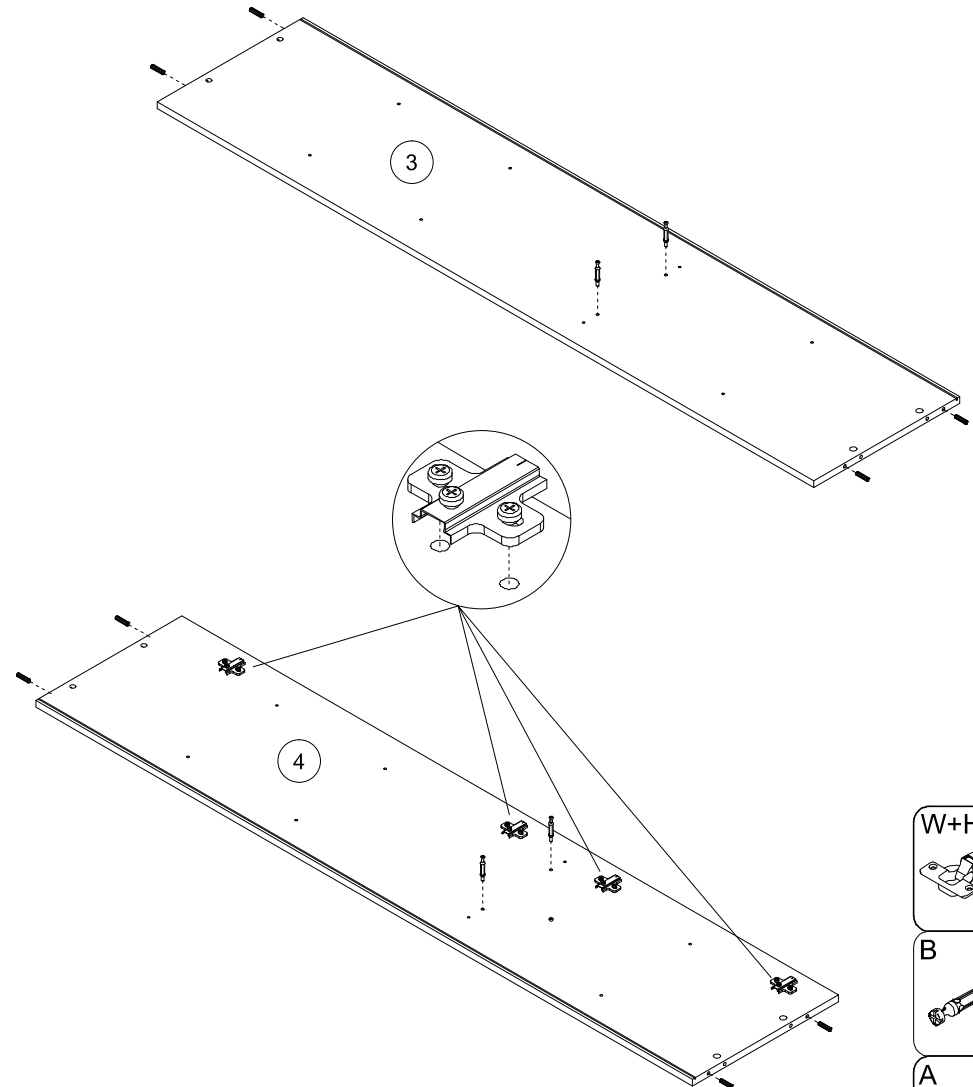
V	3x13	N	3x20	W+H2	ZA	C	Z	NS	3.5x13	K2
x2	x4	x4	x1	x12	x12	x2	x1			
B	A	TA	ZZ	KS	R5	ZE	V3	ND	3.5x16	X
x12	x12	x1	x8	x4	x1	x4	x4	x14	x14	x14

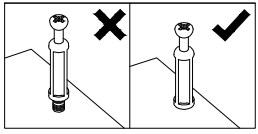


①	534	390	16	x1	2 / 2
②	534	390	16	x1	2 / 2
③	1754	390	16	x1	2 / 2
④	1754	390	16	x1	2 / 2
⑤	502	350	16	x2	2 / 2
⑥	502	357	16	x1	2 / 2
⑦	501	345	4	x1	2 / 2
⑧	1766	514	3	x1	2 / 2
⑨	164	496	16	x1	2 / 2
⑩	667	496	4	x1	2 / 2
⑪	668	496	16	x1	2 / 2
⑫	324	496	16	x1	2 / 2

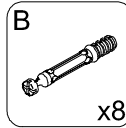
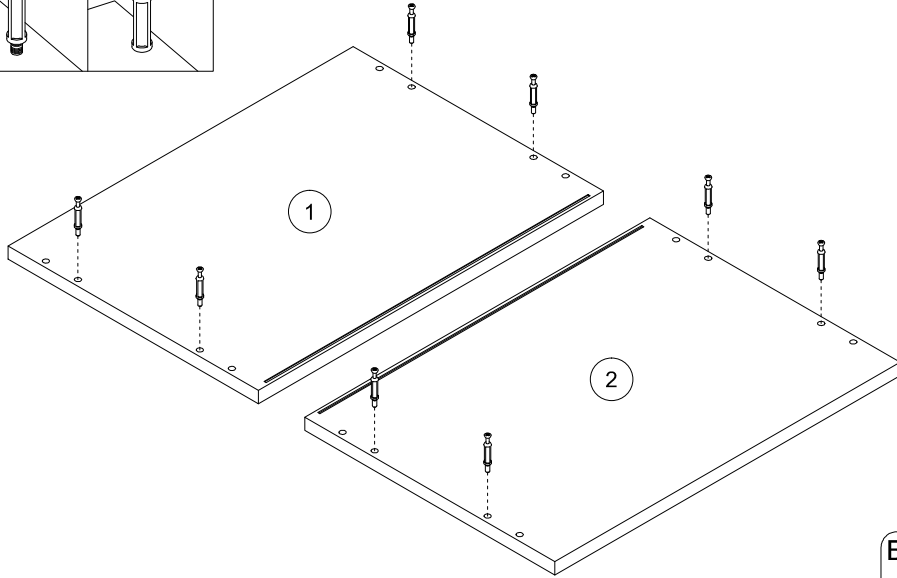


1

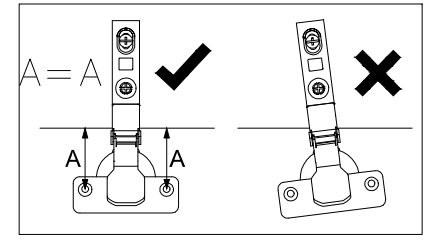
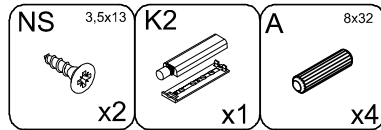
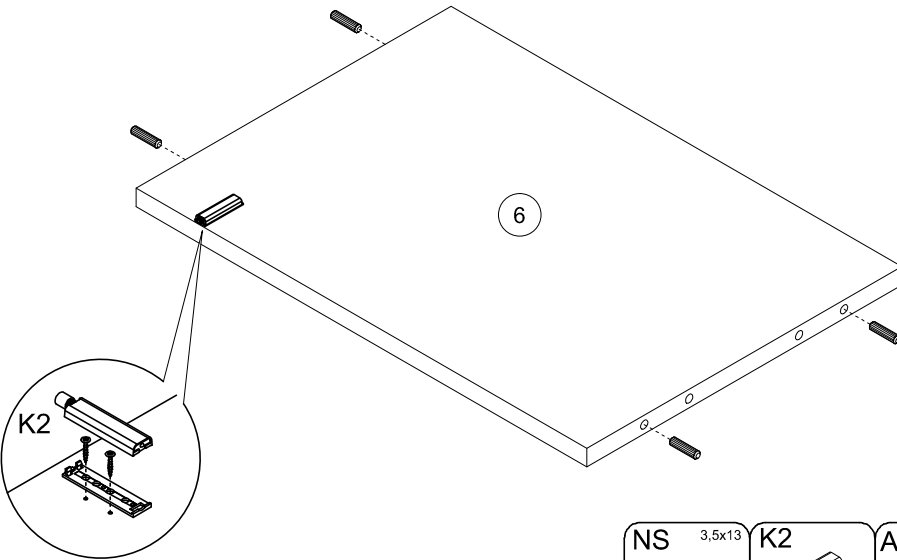




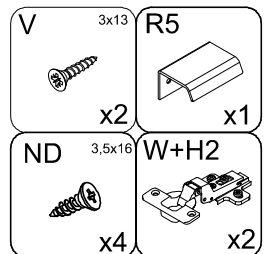
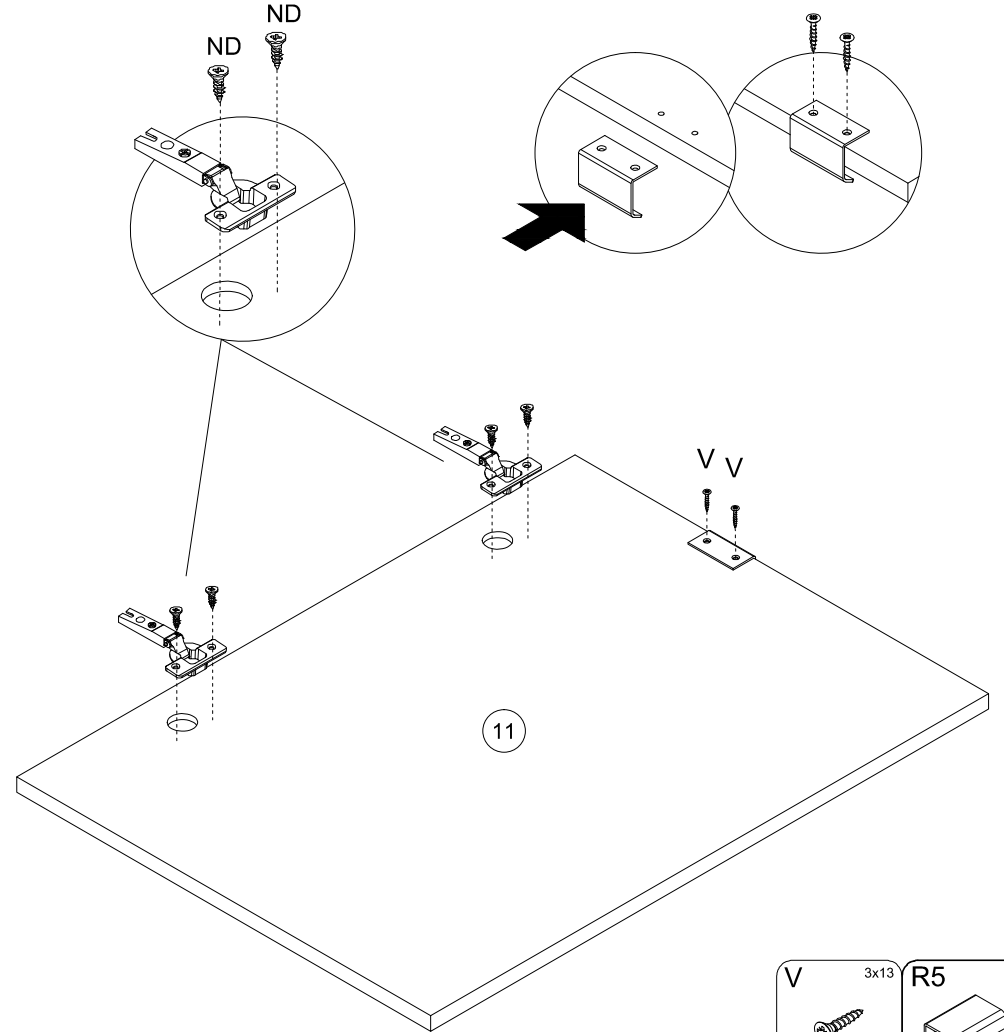
2

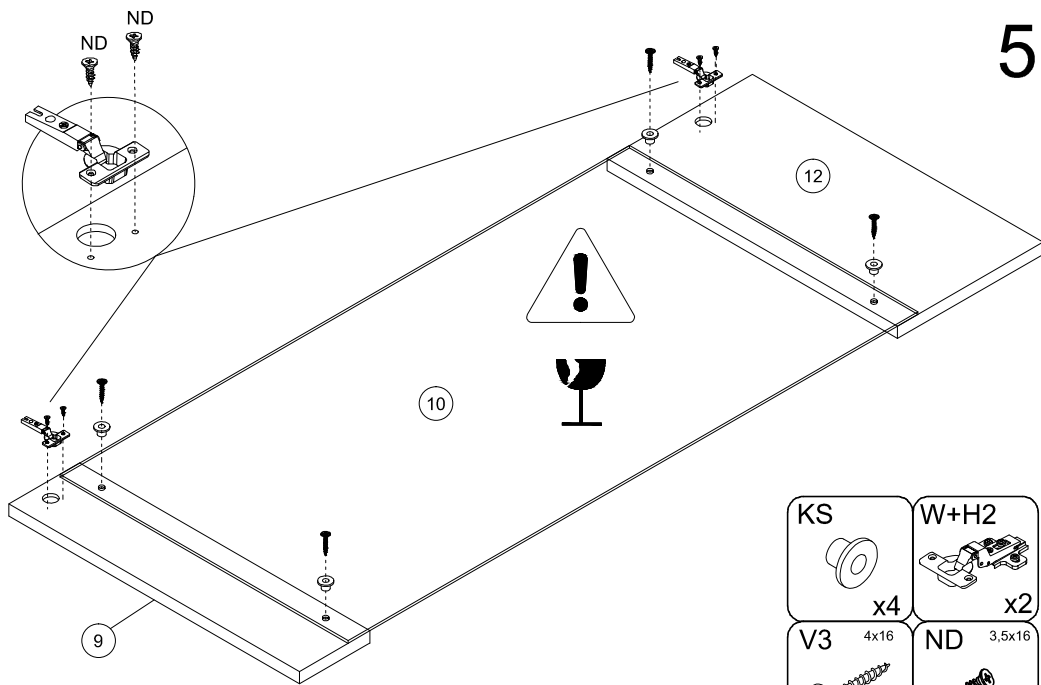


3

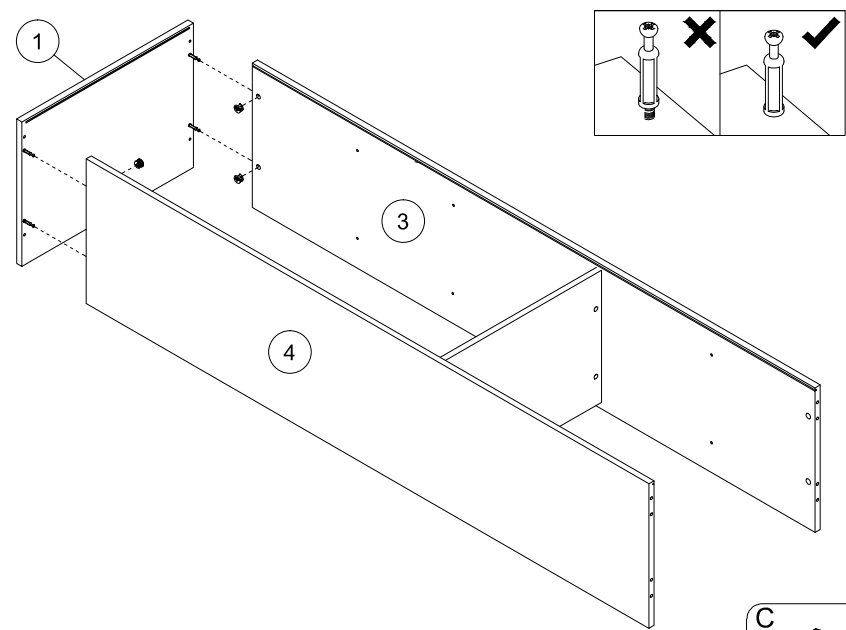
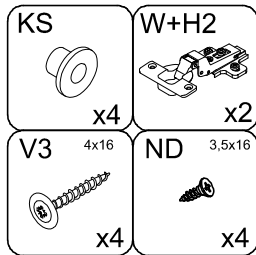


4

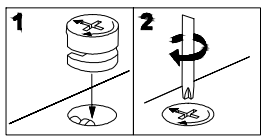
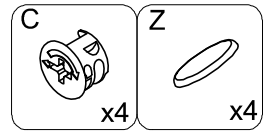




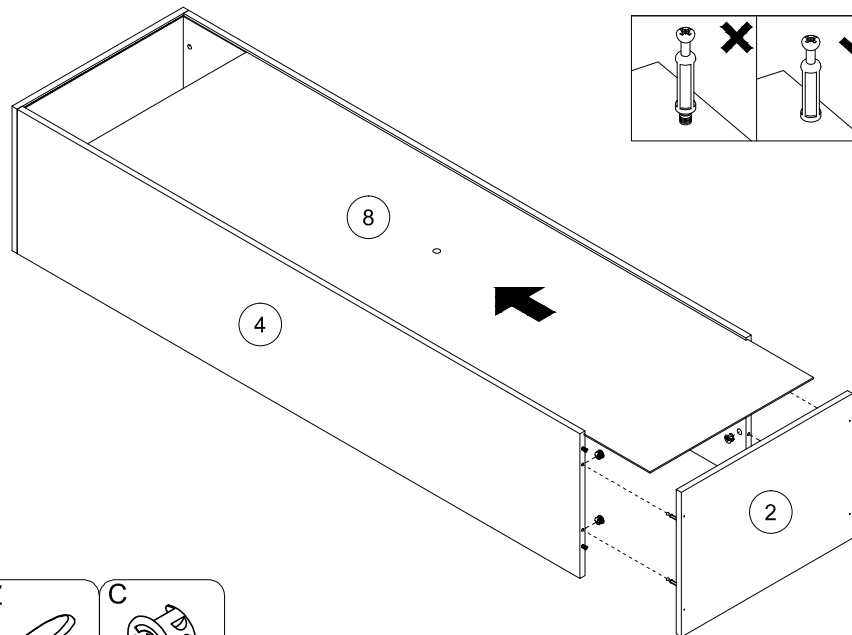
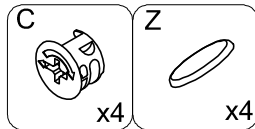
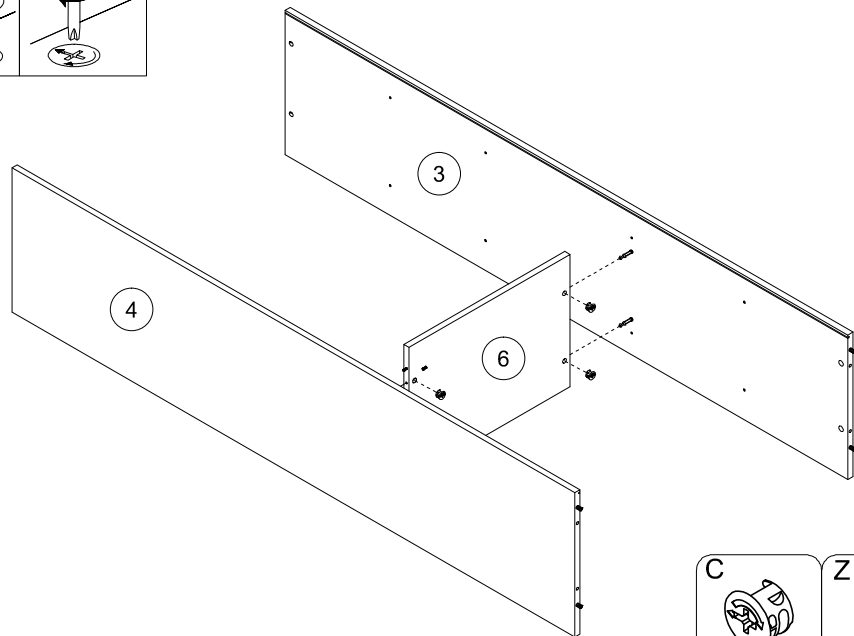
5



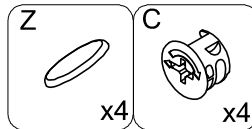
7



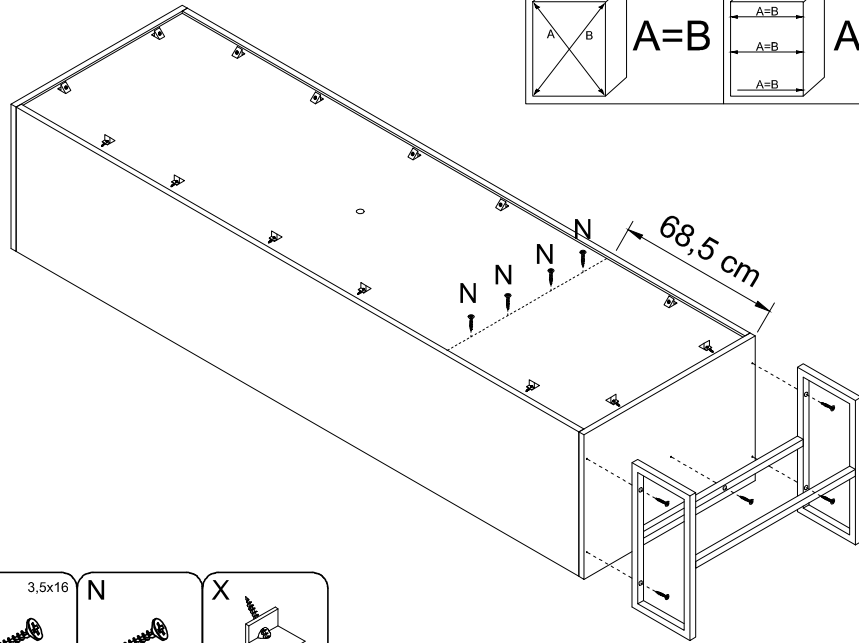
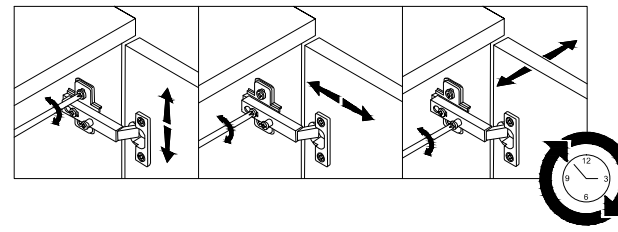
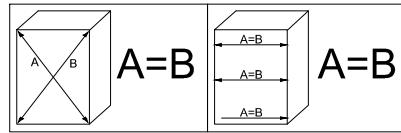
6



8

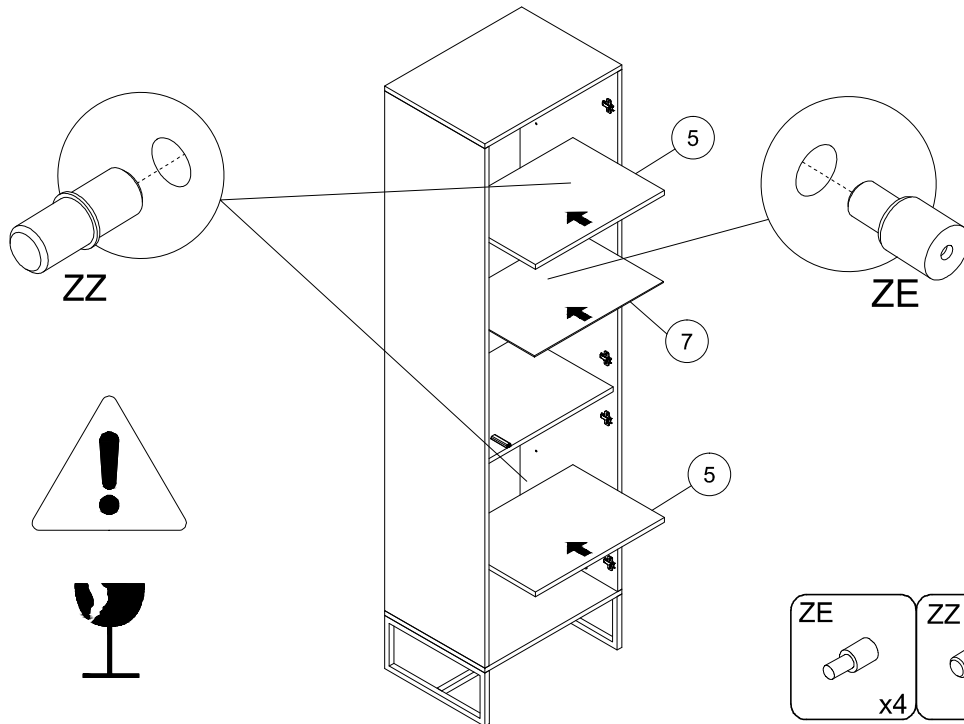


9

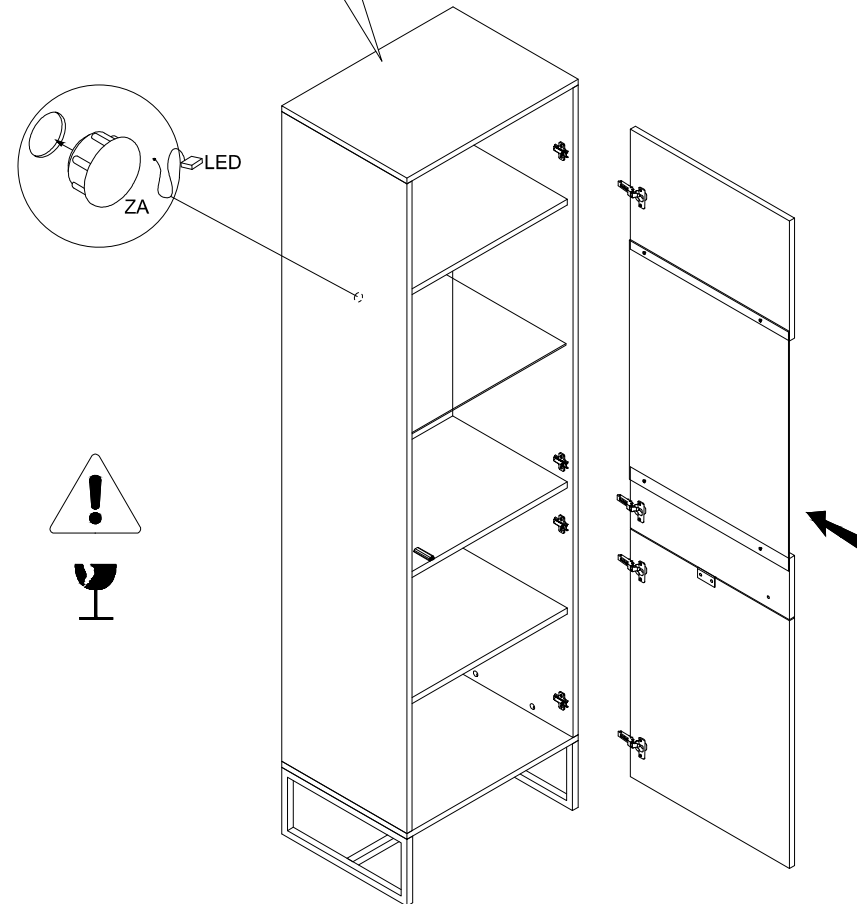
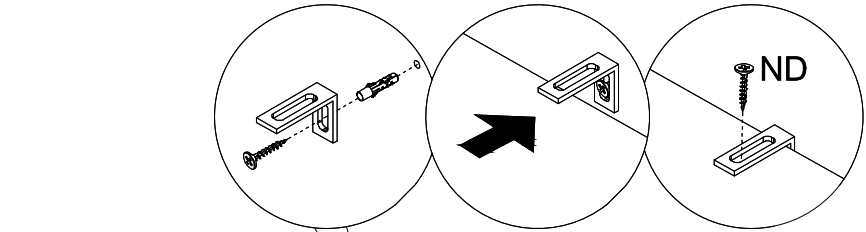


- ND 3.5x16
x5
- N
x4
- X
x14

10



- ZE
x4
- ZZ
x8



- ZA
x1
- TA
x1
- ND 3.5x16
x1