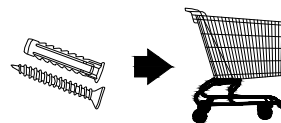
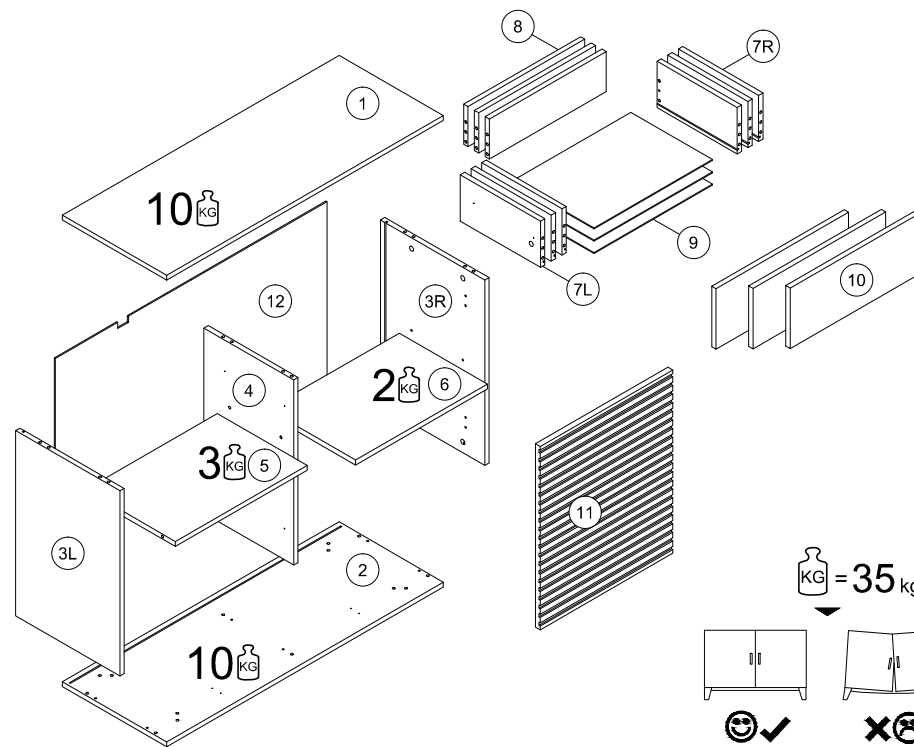
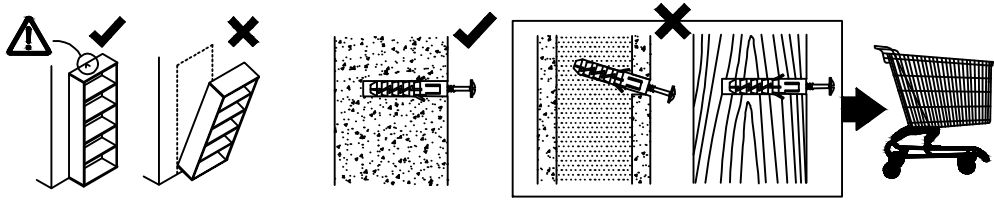
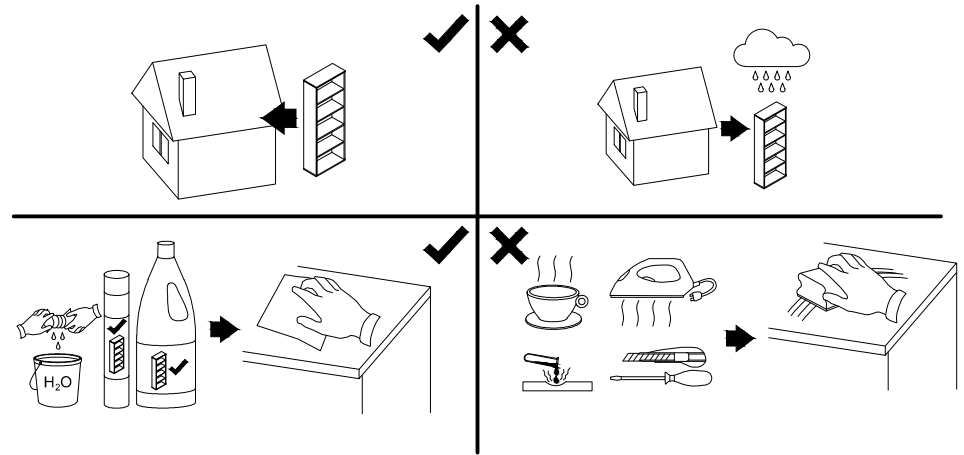
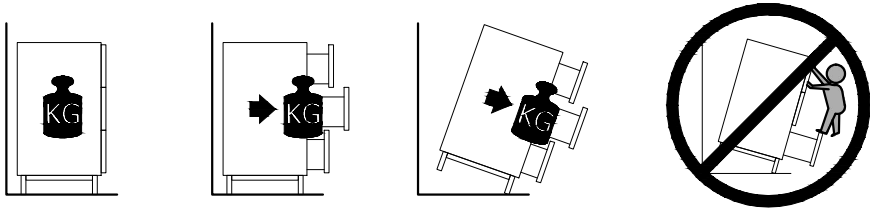


1,5H

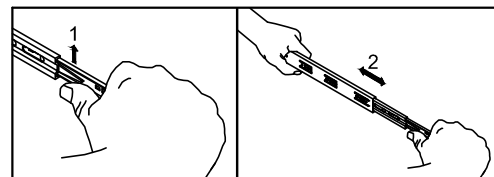
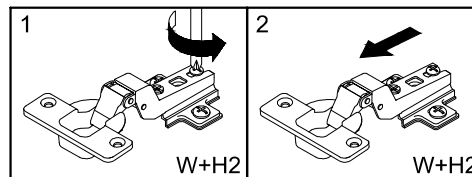
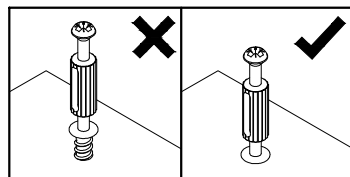
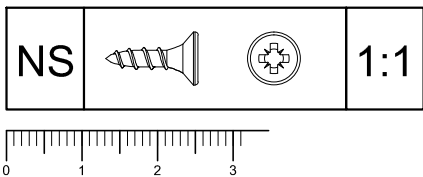


| | | | | | | | | | |
|-----|------|-----|--------|-----|--------|----|--------|-----|------|
| A | 8x32 | B | 3x20 | C | 3,5x16 | HD | 6x30 | KG | 3x20 |
| x40 | x24 | x24 | x8 | x4 | | | | | |
| N | 3x20 | ND | 3,5x16 | NGD | 3,5x13 | NS | 3,5x13 | PPW | 300 |
| x14 | x25 | x4 | x12 | x6 | | | | | |
| TA | W+H2 | X | Z | ZZ | | | | | |
| x1 | x2 | x12 | x14 | x4 | | | | | |

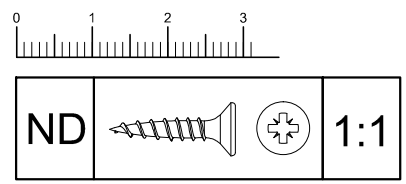
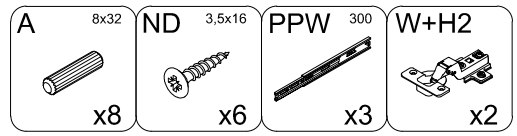
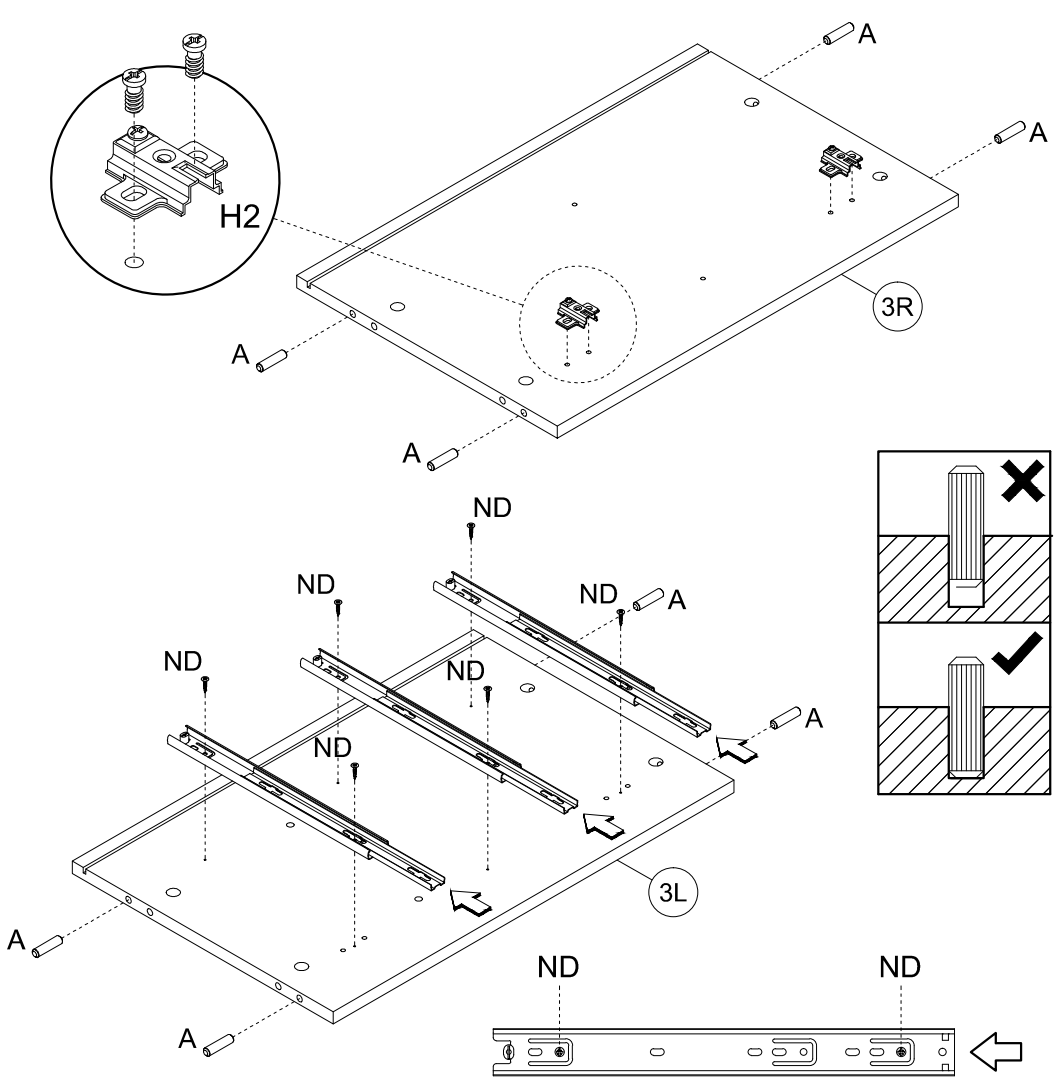
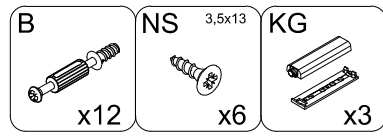
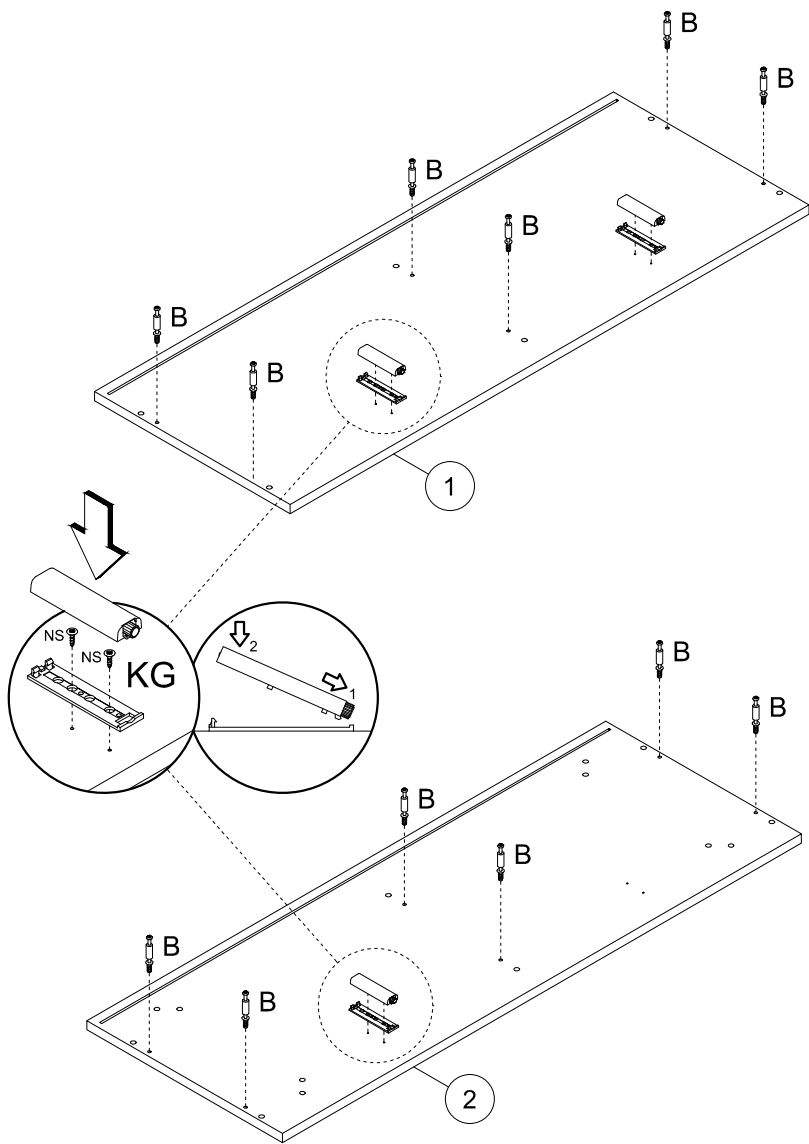
| | | | | | |
|----|------|-----|-----|----|-------|
| 1 | 1035 | 390 | 16 | x1 | 1 / 1 |
| 2 | 1035 | 390 | 16 | x1 | 1 / 1 |
| 3L | 600 | 390 | 16 | x2 | 1 / 1 |
| 3R | 600 | 390 | 16 | x2 | 1 / 1 |
| 4 | 600 | 341 | 16 | x1 | 1 / 1 |
| 5 | 493 | 341 | 16 | x1 | 1 / 1 |
| 6 | 493 | 330 | 16 | x1 | 1 / 1 |
| 7L | 300 | 150 | 16 | x3 | 1 / 1 |
| 7R | 300 | 150 | 16 | x3 | 1 / 1 |
| 8 | 437 | 130 | 16 | x3 | 1 / 1 |
| 9 | 305 | 449 | 2.5 | x3 | 1 / 1 |
| 10 | 496 | 196 | 16 | x3 | 1 / 1 |
| 11 | 594 | 496 | 16 | x1 | 1 / 1 |
| 12 | 1014 | 612 | 2.5 | x1 | 1 / 1 |




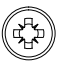
1

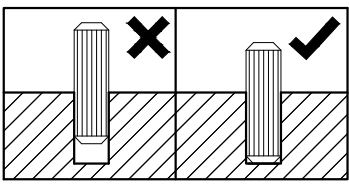
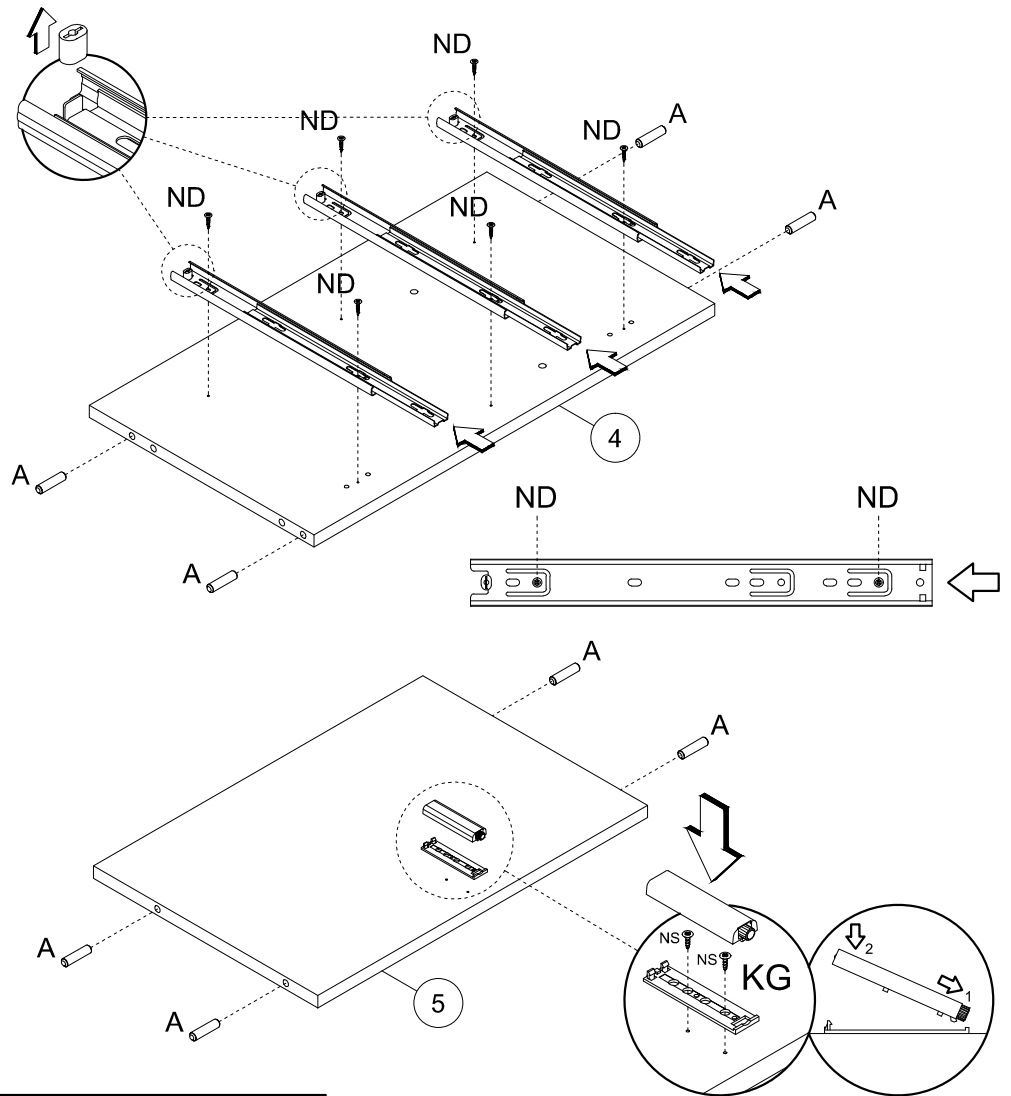
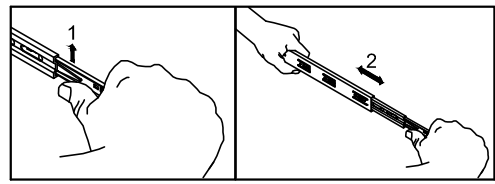
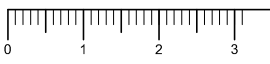


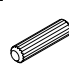




2



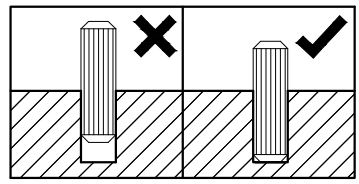
3

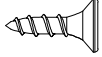

| | | | |
|----|----------------------------------------------------------------------------------|----------------------------------------------------------------------------------|-----|
| NS |  |  | 1:1 |
|----|----------------------------------------------------------------------------------|----------------------------------------------------------------------------------|-----|

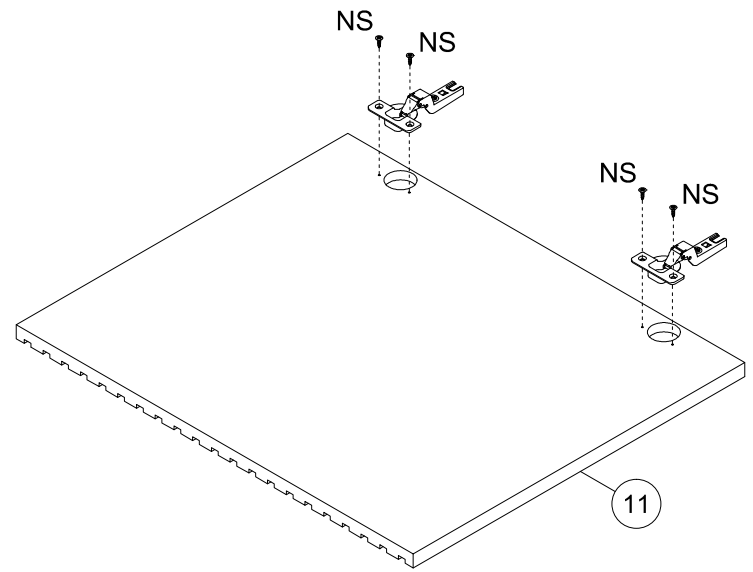
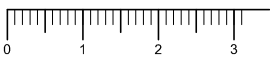




| | | | | | | | | | |
|-------------------------------------------------------------------------------------|------|-------------------------------------------------------------------------------------|----|-------------------------------------------------------------------------------------|----|-------------------------------------------------------------------------------------|-----|--------------------------------------------------------------------------------------|----|
| A | 8x32 | KG | ND | 3,5x16 | NS | 3,5x13 | PPW | 300 | |
|  | x8 |  | x1 |  | x6 |  | x2 |  | x3 |

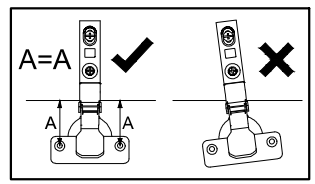
4



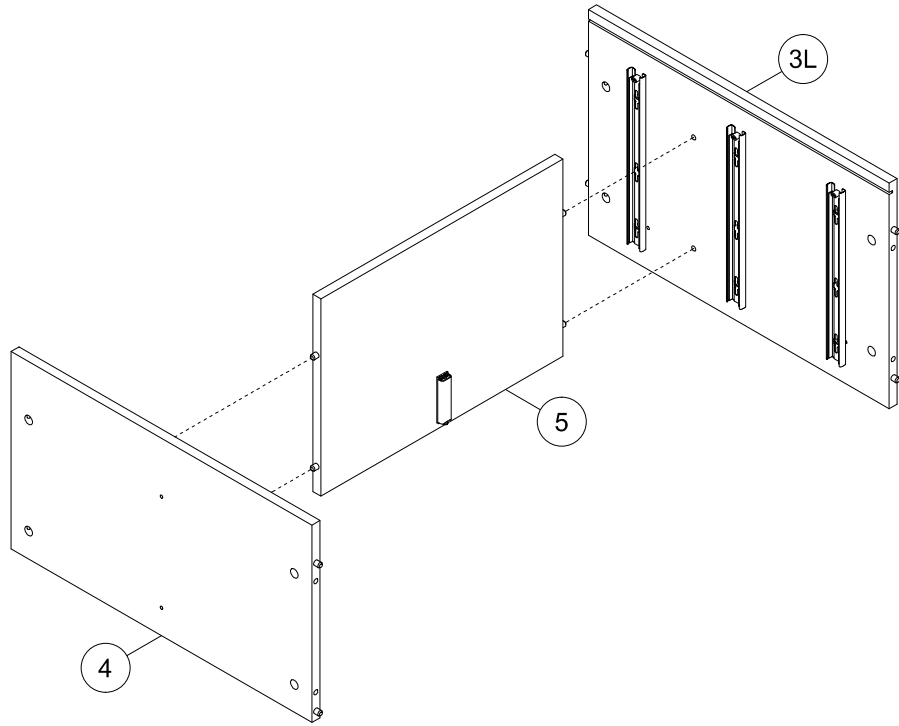
| | | | |
|----|------------------------------------------------------------------------------------|------------------------------------------------------------------------------------|-----|
| NS |  |  | 1:1 |
|----|------------------------------------------------------------------------------------|------------------------------------------------------------------------------------|-----|



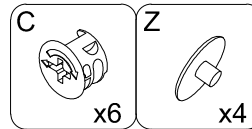
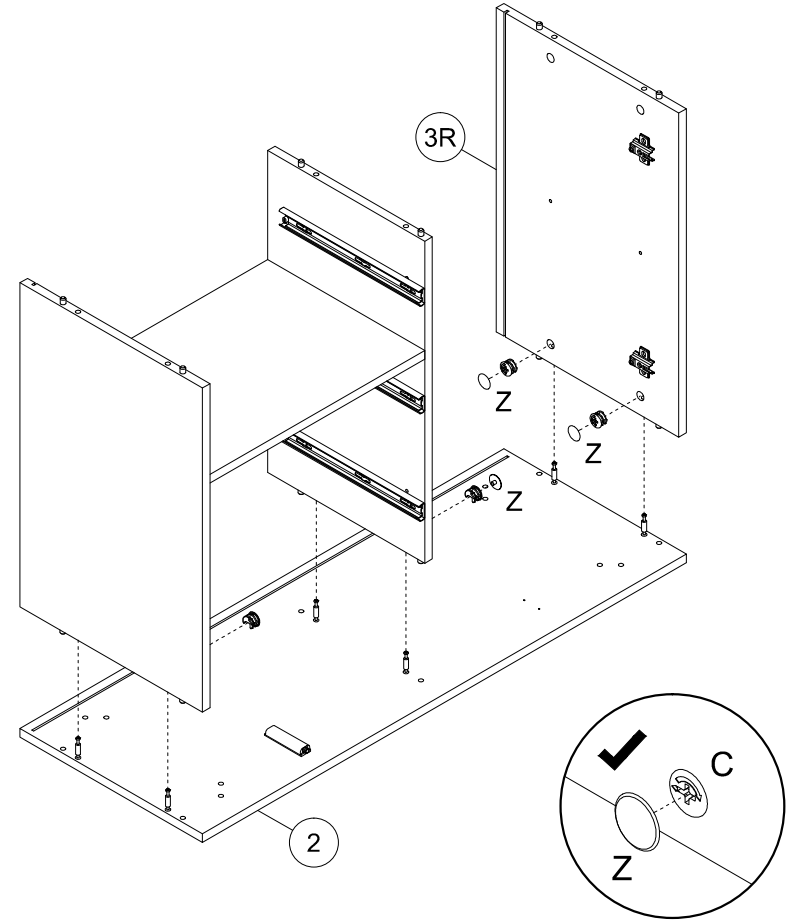
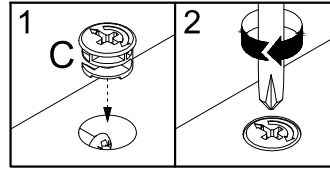
| | | | |
|---------------------------------------------------------------------------------------|----|---------------------------------------------------------------------------------------|----|
| W+H2 | NS | 3,5x13 | |
|  | x2 |  | x4 |



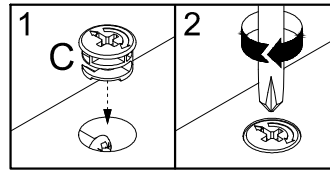
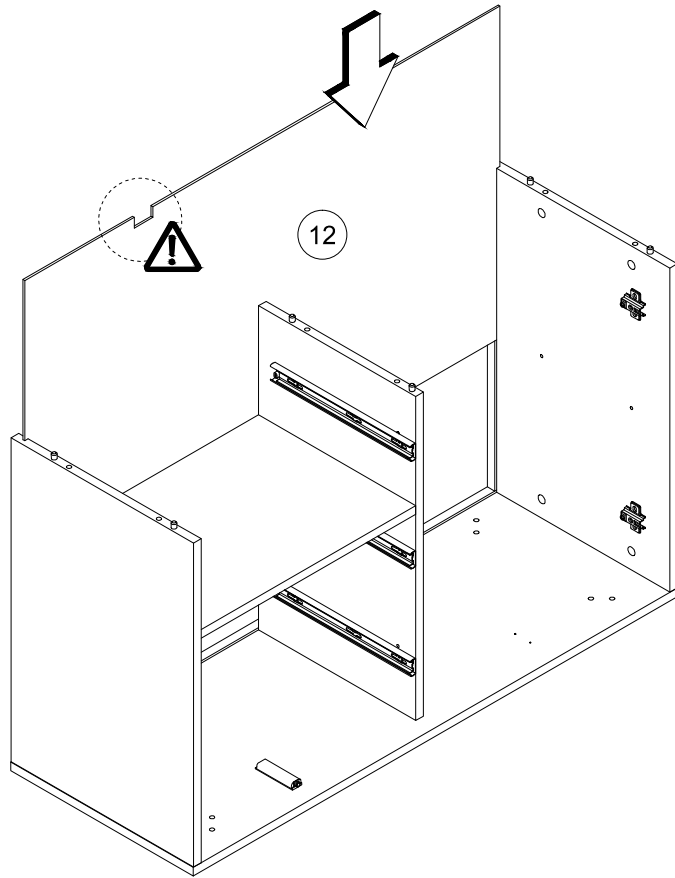
5



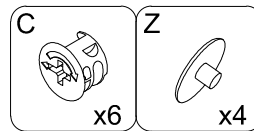
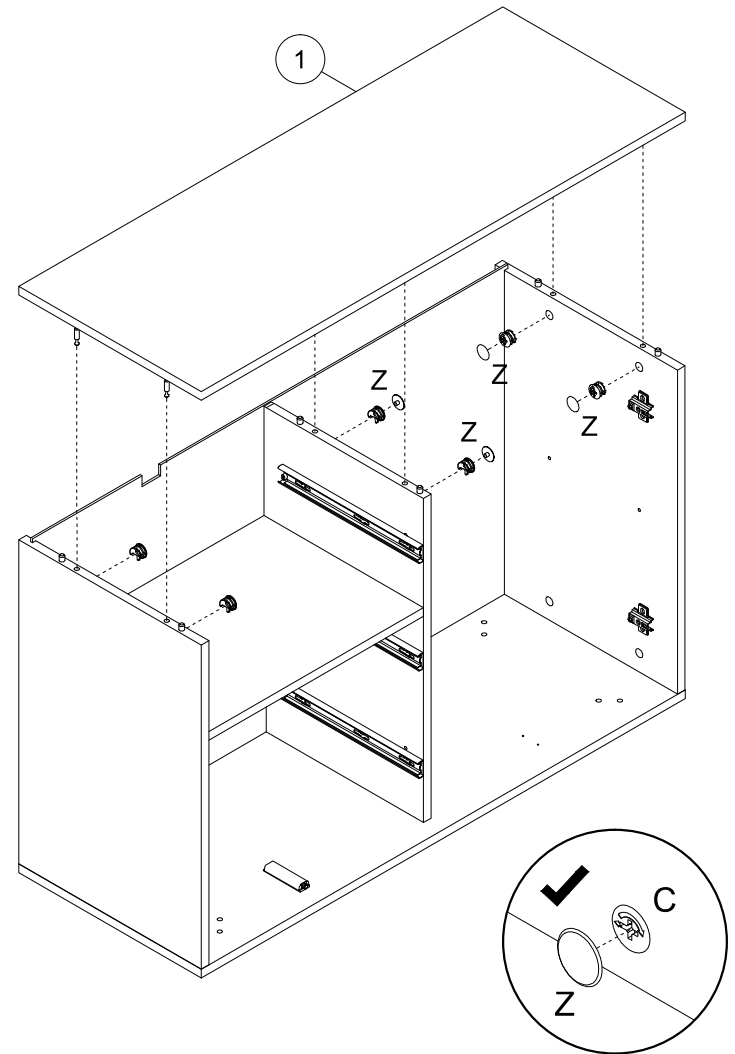
6



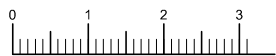
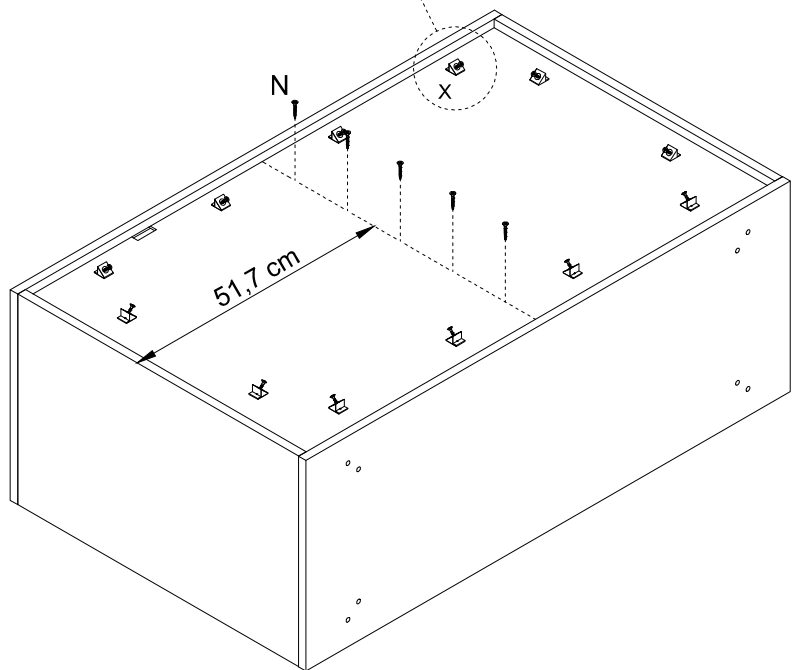
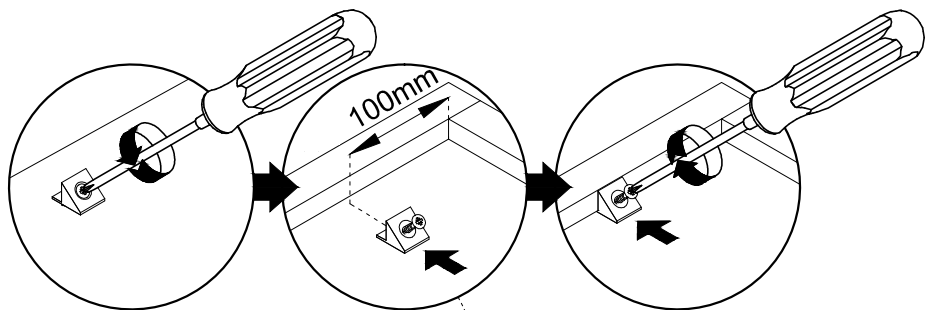
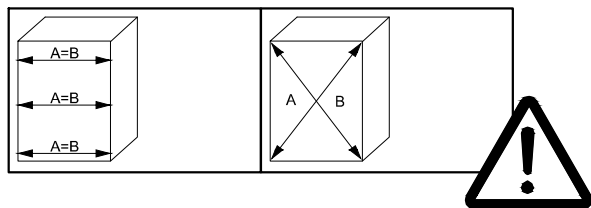
7



8



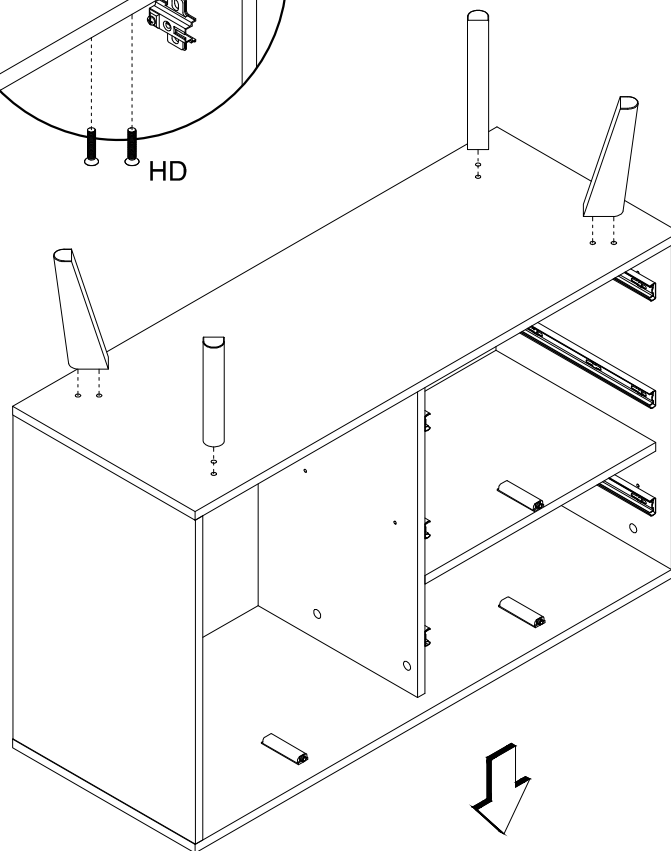
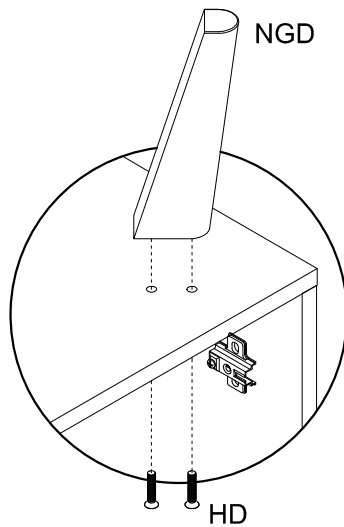
9



| | | | |
|---|--|--|-----|
| N | | | 1:1 |
|---|--|--|-----|

| | | |
|----|------|---|
| N | 3x20 | X |
| | | |
| x5 | x12 | |

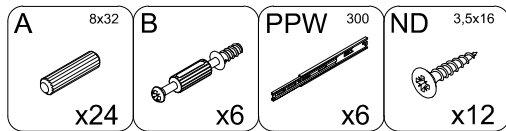
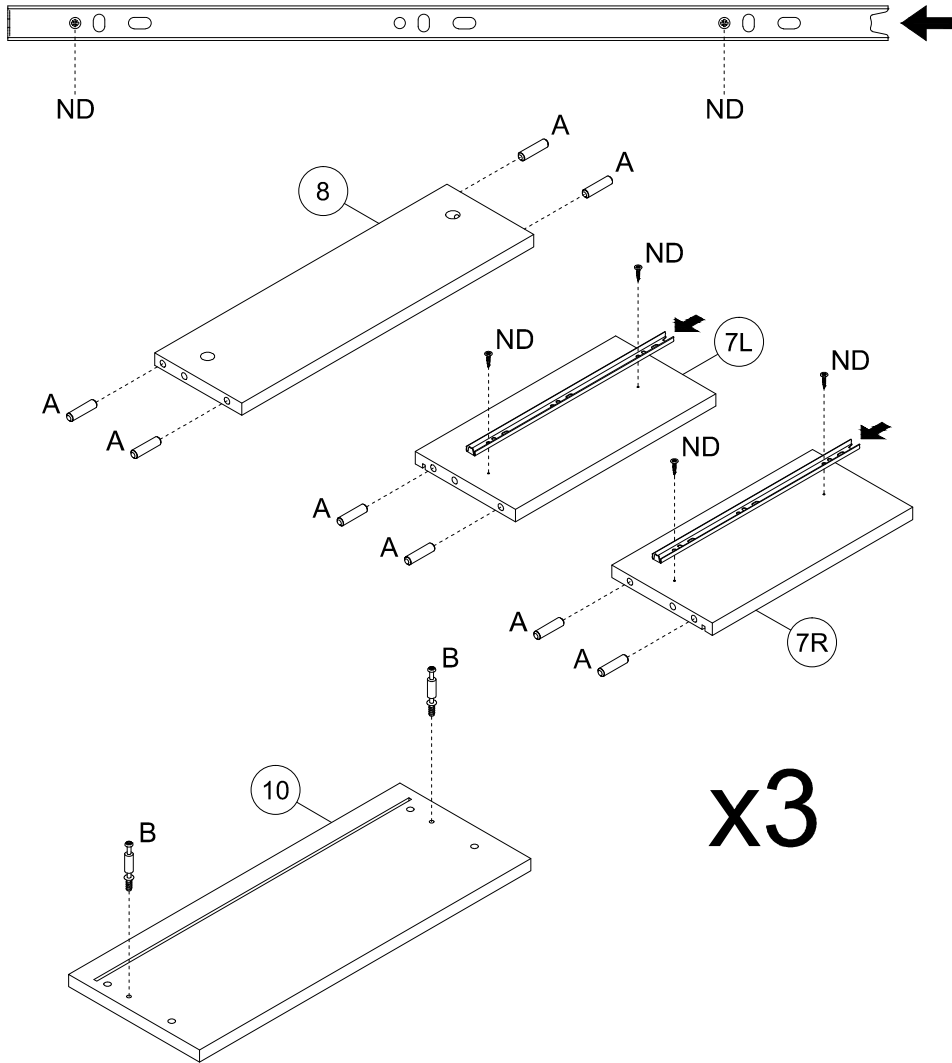
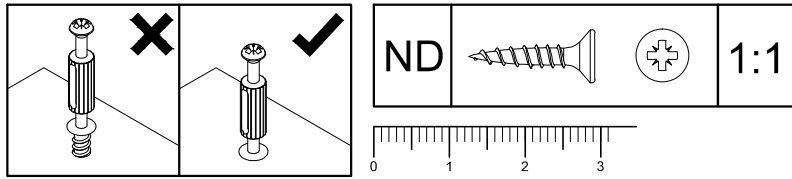
10



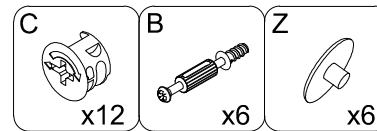
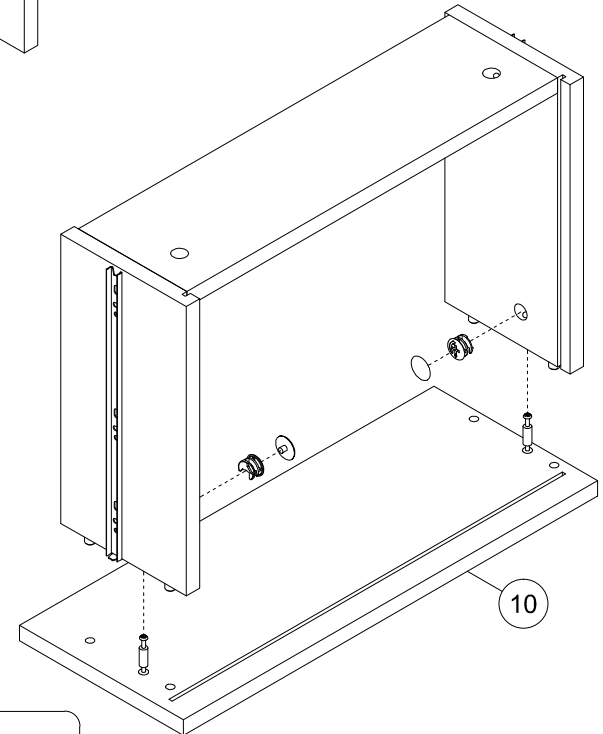
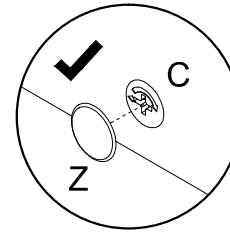
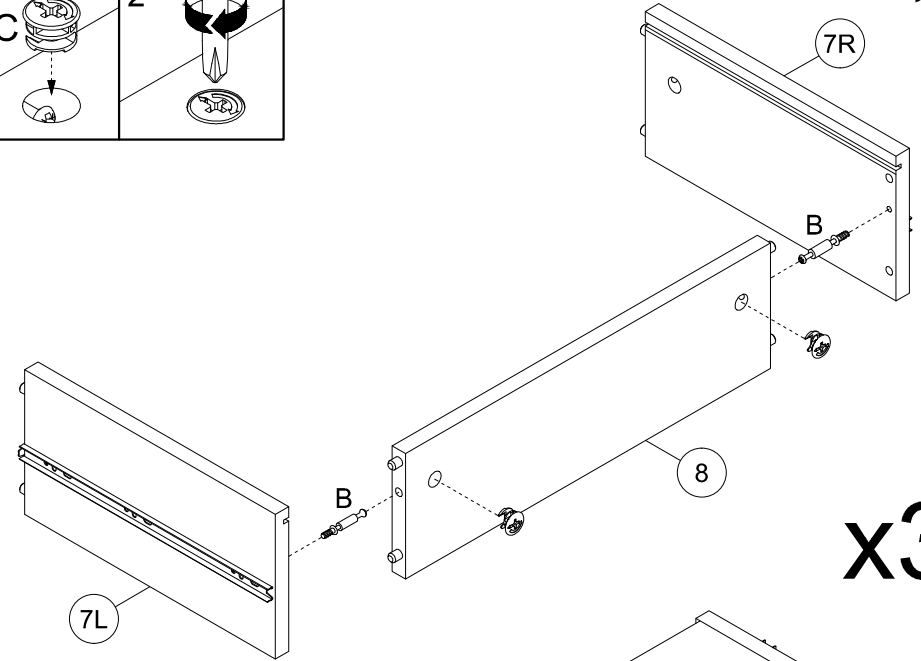
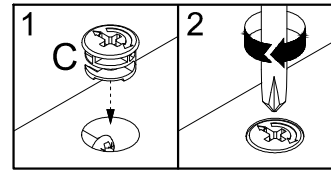
| | | | |
|----|-----|--|--|
| HD | 1:1 | | |
|----|-----|--|--|

| | |
|----|-----|
| HD | NGD |
| | |
| x8 | x4 |

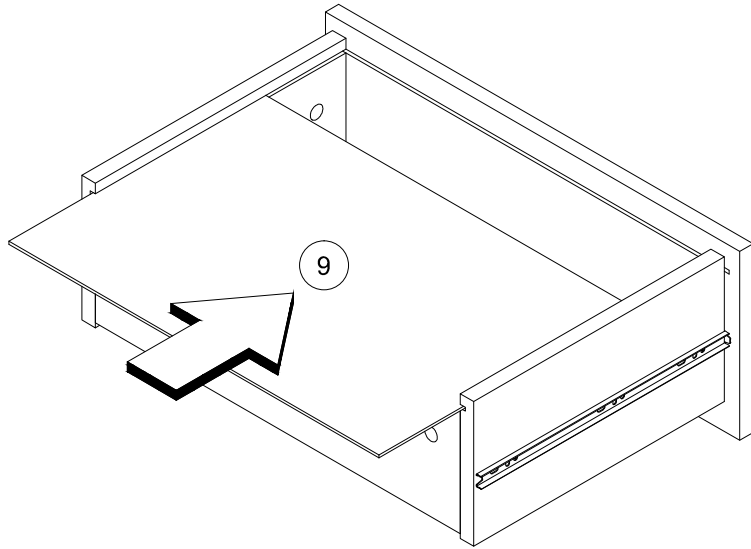
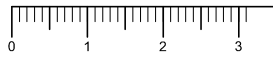
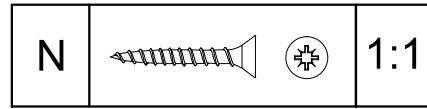
11



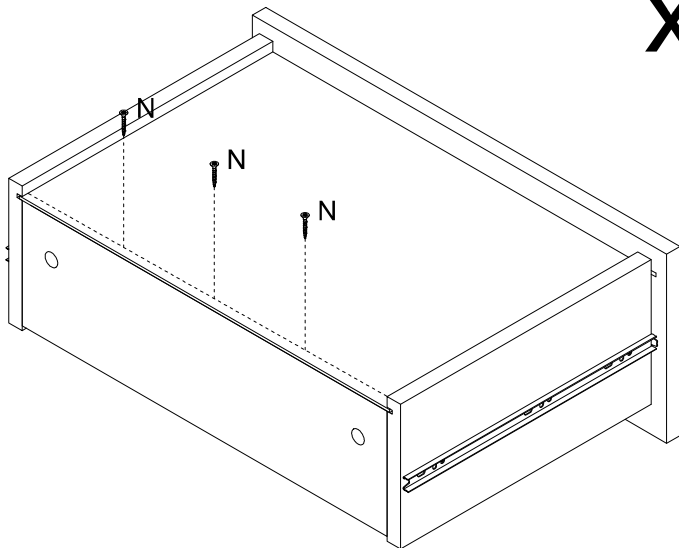
12



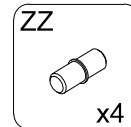
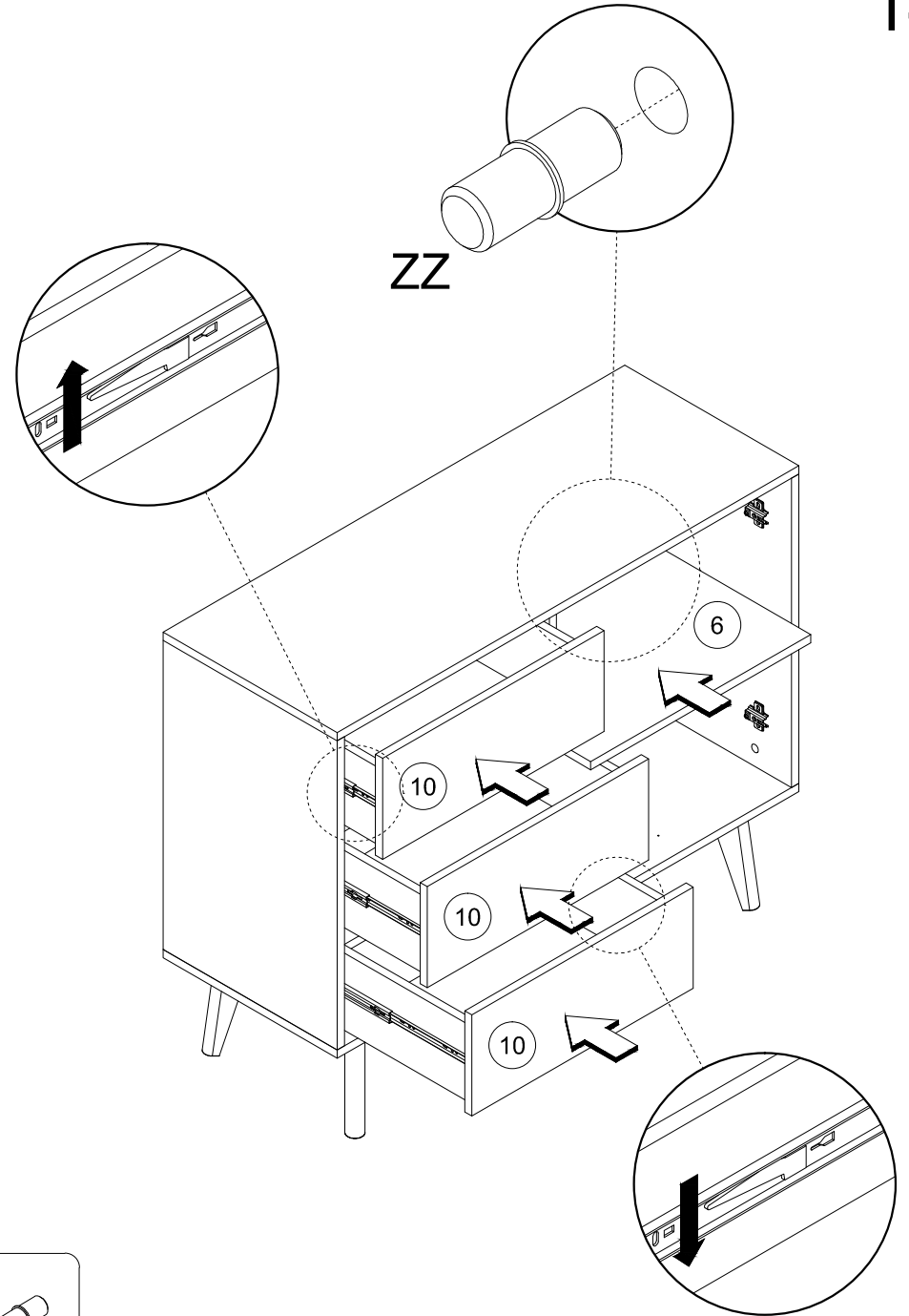
13

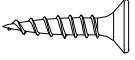



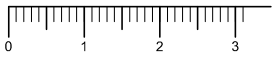
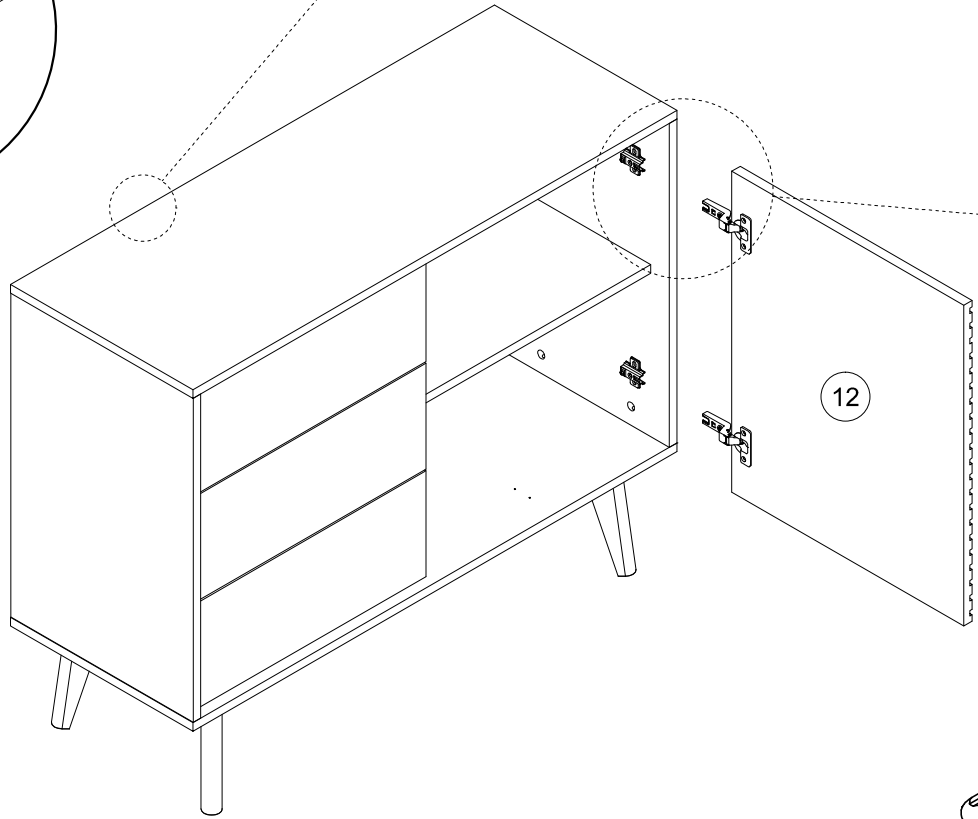
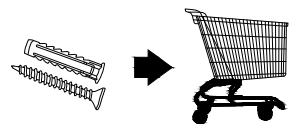
x3

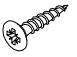



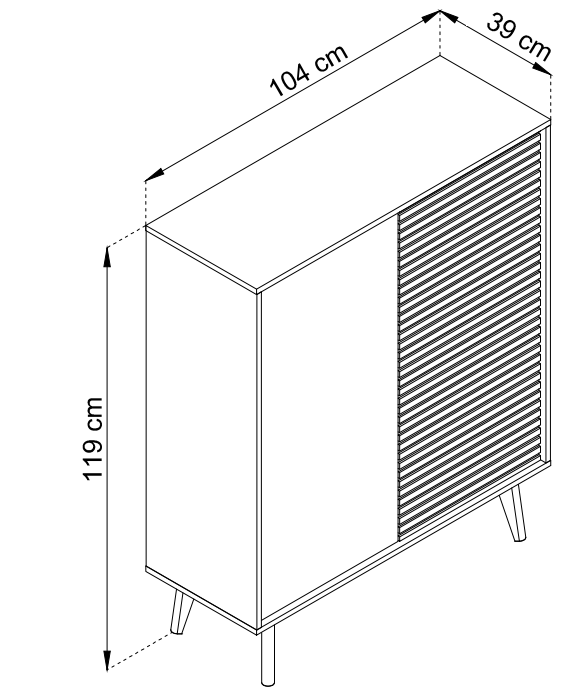
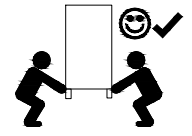
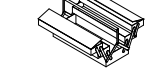
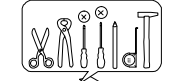
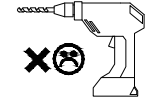
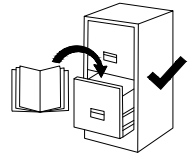
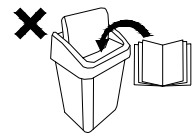
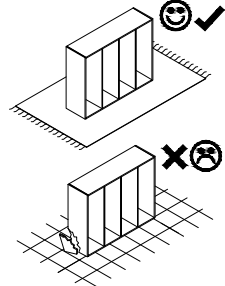
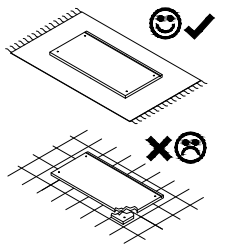
14



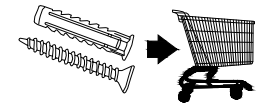
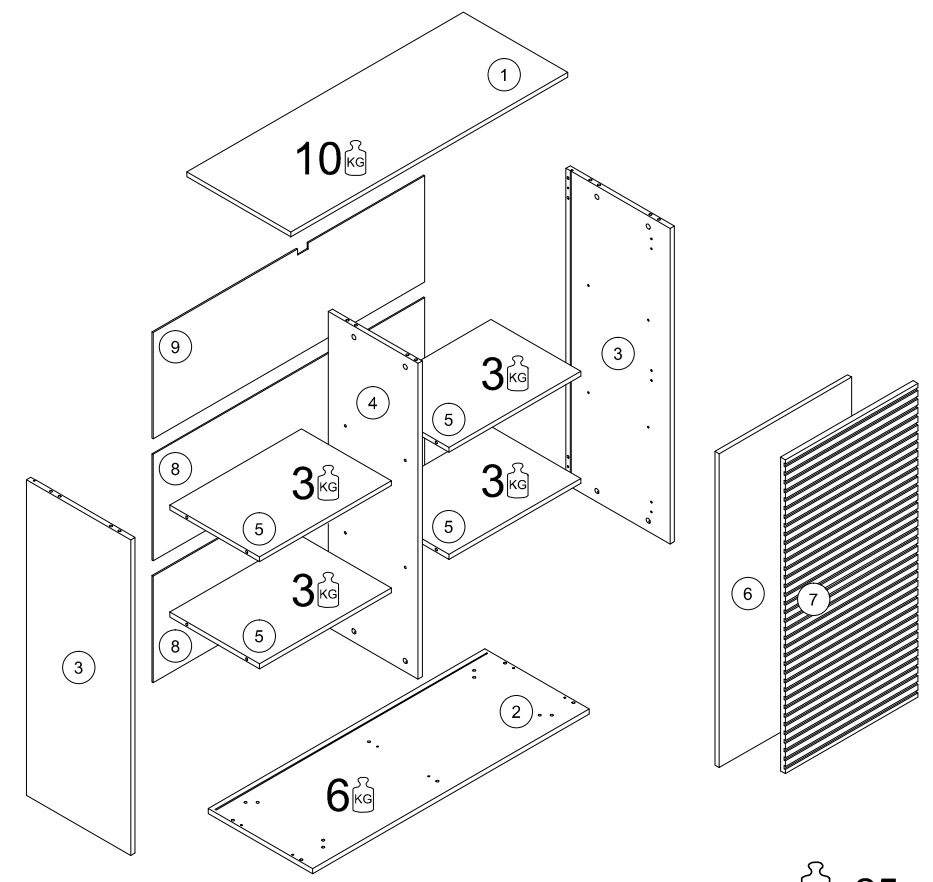
| | | | |
|----|----------------------------------------------------------------------------------|----------------------------------------------------------------------------------|-----|
| ND |  |  | 1:1 |
|----|----------------------------------------------------------------------------------|----------------------------------------------------------------------------------|-----|

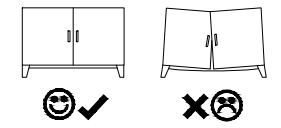
| | | |
|------------------------------------------------------------------------------------|--------|-------------------------------------------------------------------------------------|
| ND | 3,5x16 | TA |
|  | |  |
| x1 | | x1 |



1,5H

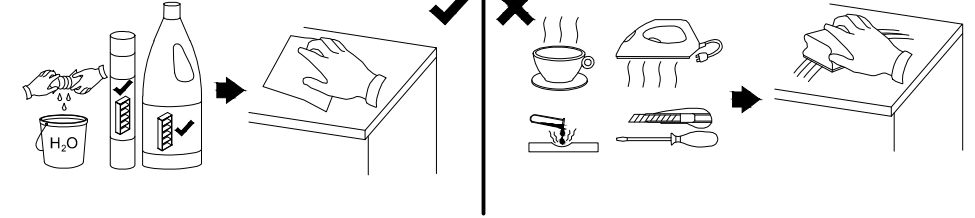
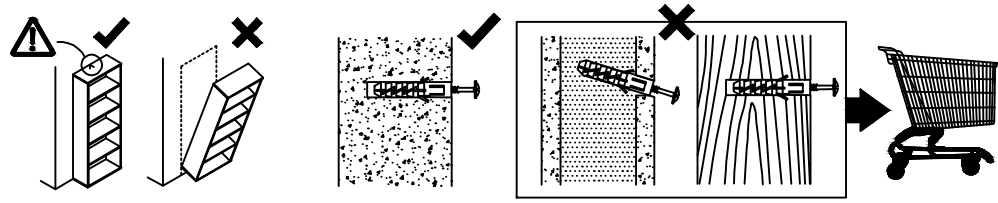
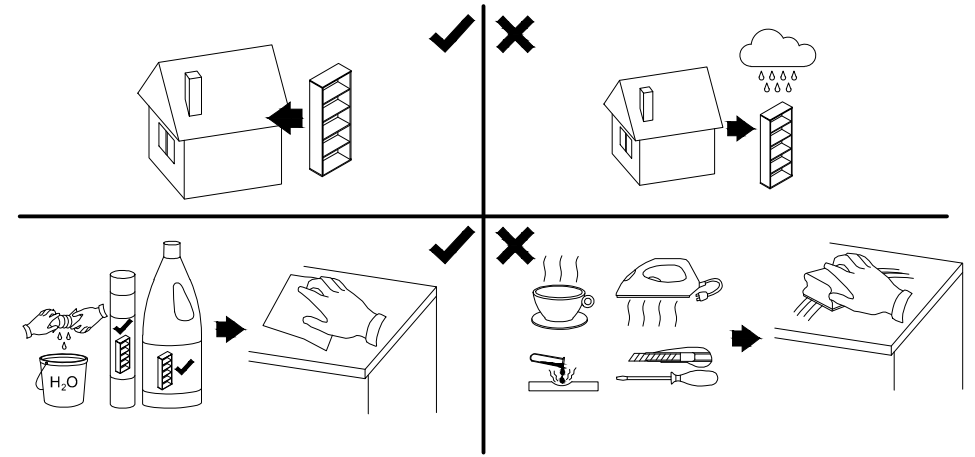
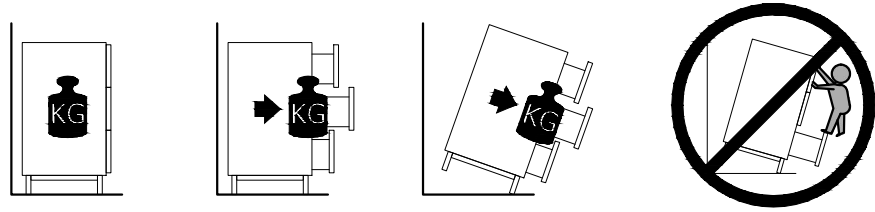


KG = 25 kg.

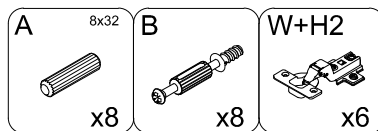
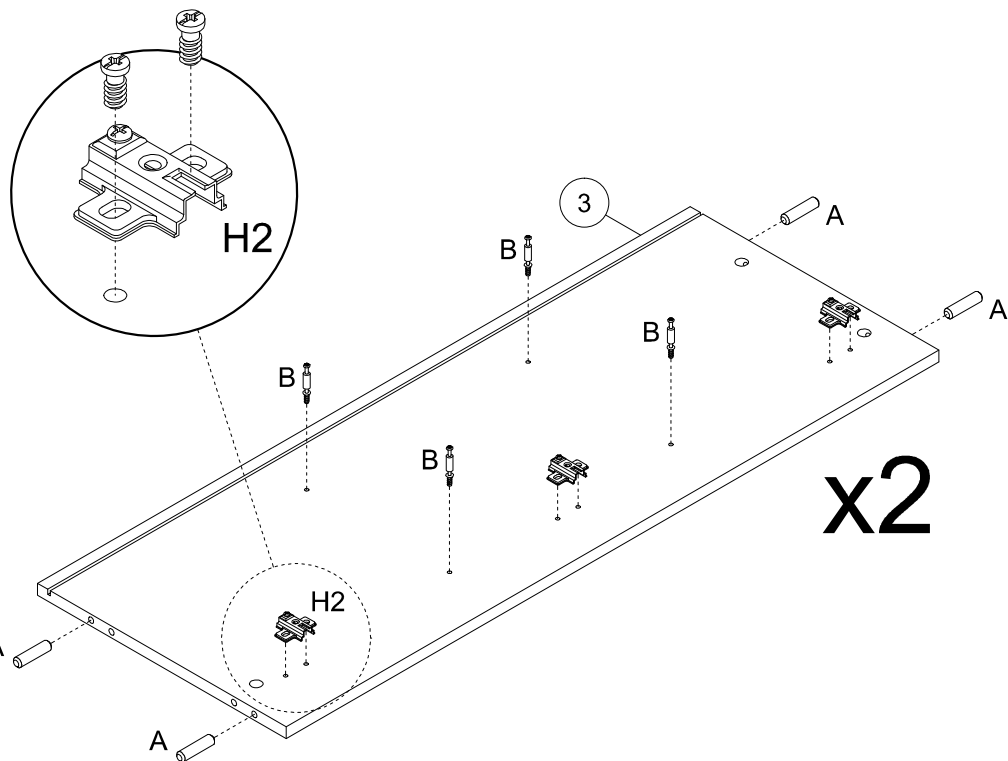
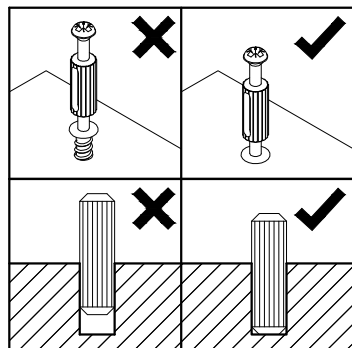
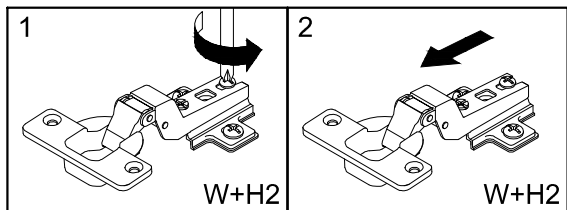


| | | | | | |
|----|------|-----|-----|-----|----|
| A | 8x32 | B | B1 | C | |
| | x12 | | | | |
| HD | 6x30 | KG | N | NGD | NS |
| | x8 | | | | |
| TA | W+H2 | X | ZC | Z | |
| | | | | | |
| x1 | x6 | x14 | x16 | x12 | |

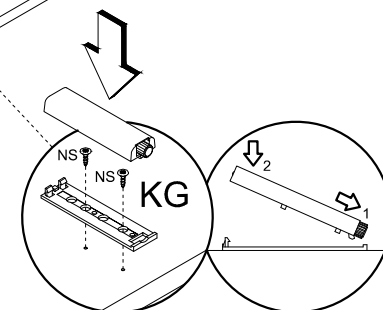
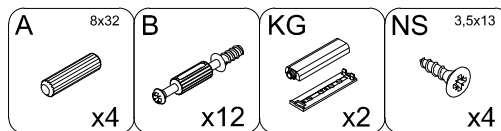
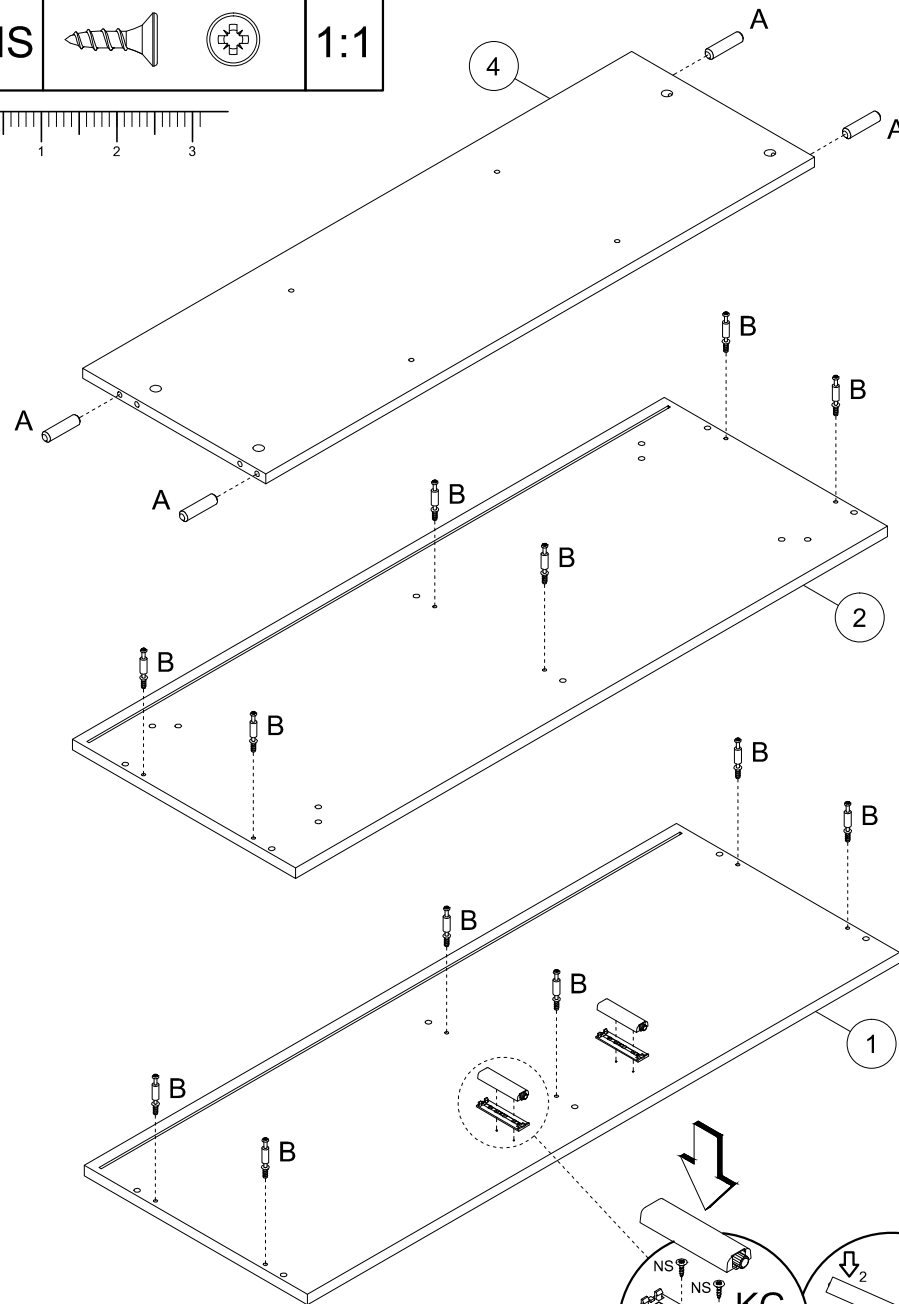
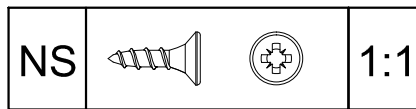
| | | | | | |
|---|------|-----|-----|----|-------|
| ① | 1035 | 390 | 16 | x1 | 1 / 2 |
| ② | 1035 | 390 | 16 | x1 | 1 / 2 |
| ③ | 1023 | 390 | 16 | x2 | 1 / 2 |
| ④ | 1023 | 341 | 16 | x1 | 2 / 2 |
| ⑤ | 493 | 341 | 16 | x4 | 2 / 2 |
| ⑥ | 1017 | 496 | 16 | x1 | 2 / 2 |
| ⑦ | 1017 | 496 | 18 | x1 | 2 / 2 |
| ⑧ | 1014 | 345 | 2.5 | x2 | 1 / 2 |
| ⑨ | 1014 | 345 | 2.5 | x1 | 1 / 2 |

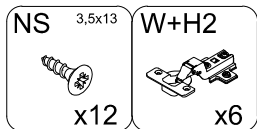
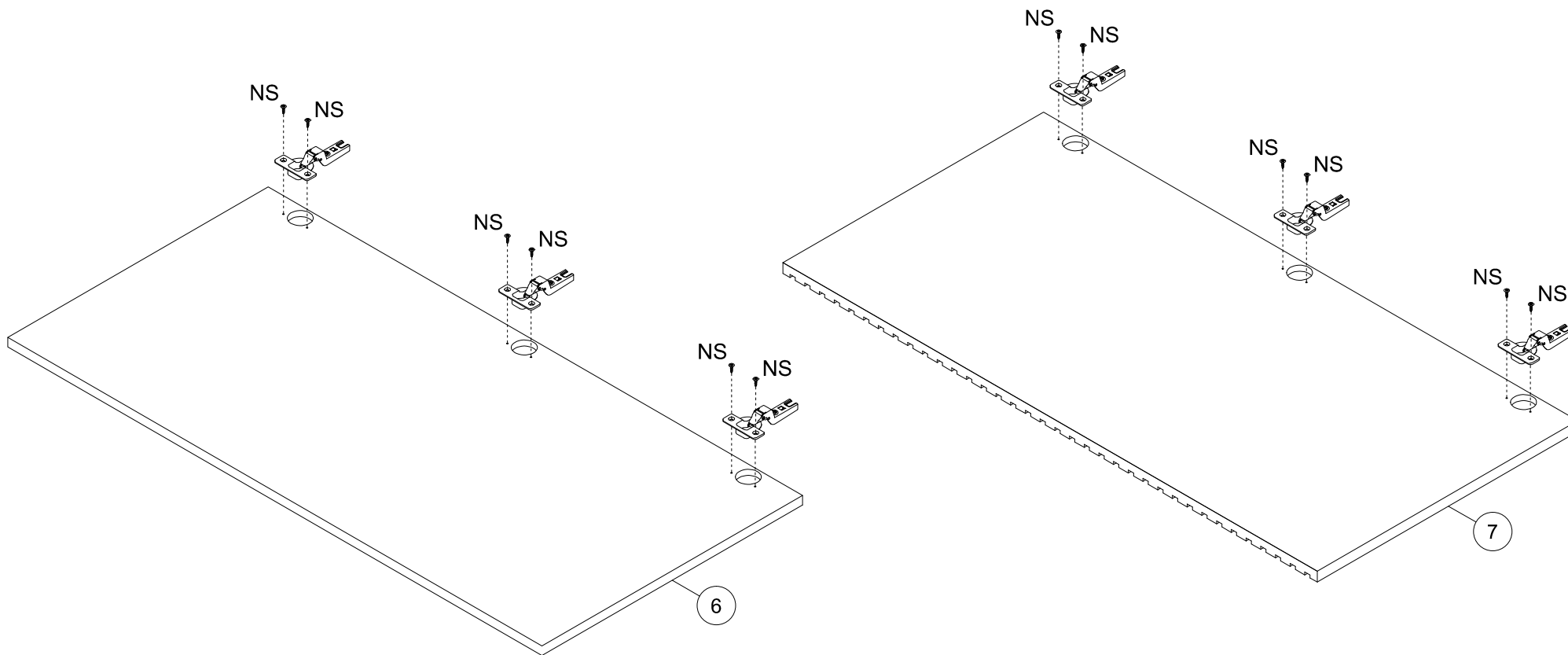
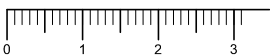
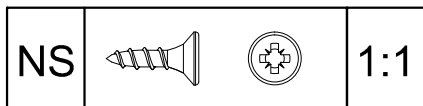
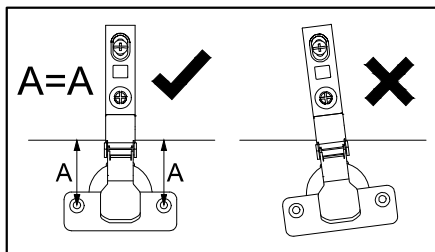


1

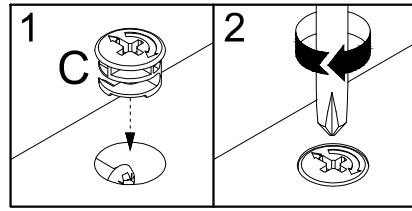
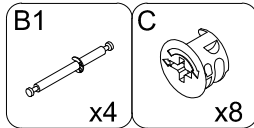
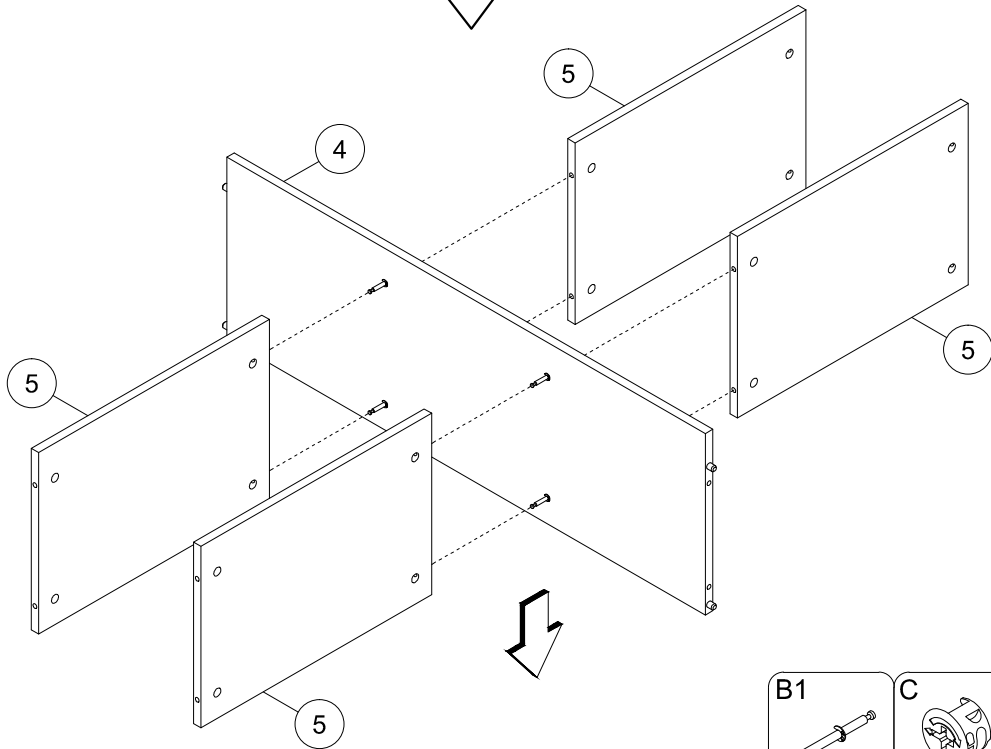
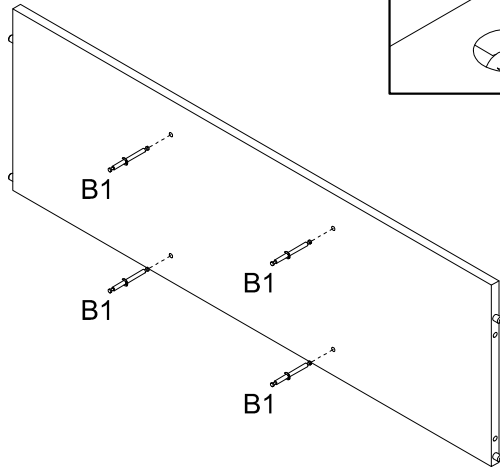
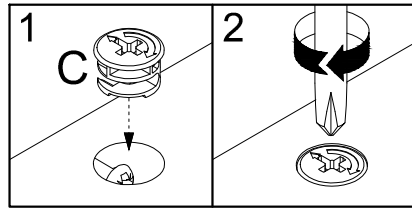


2

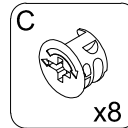
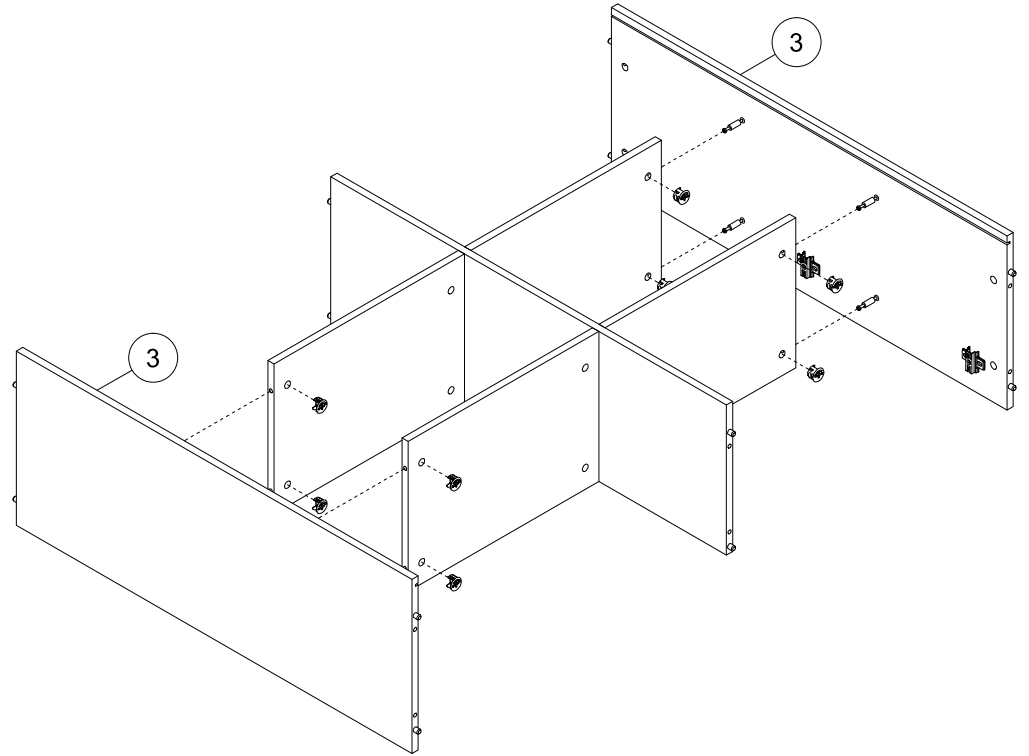




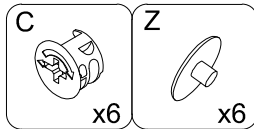
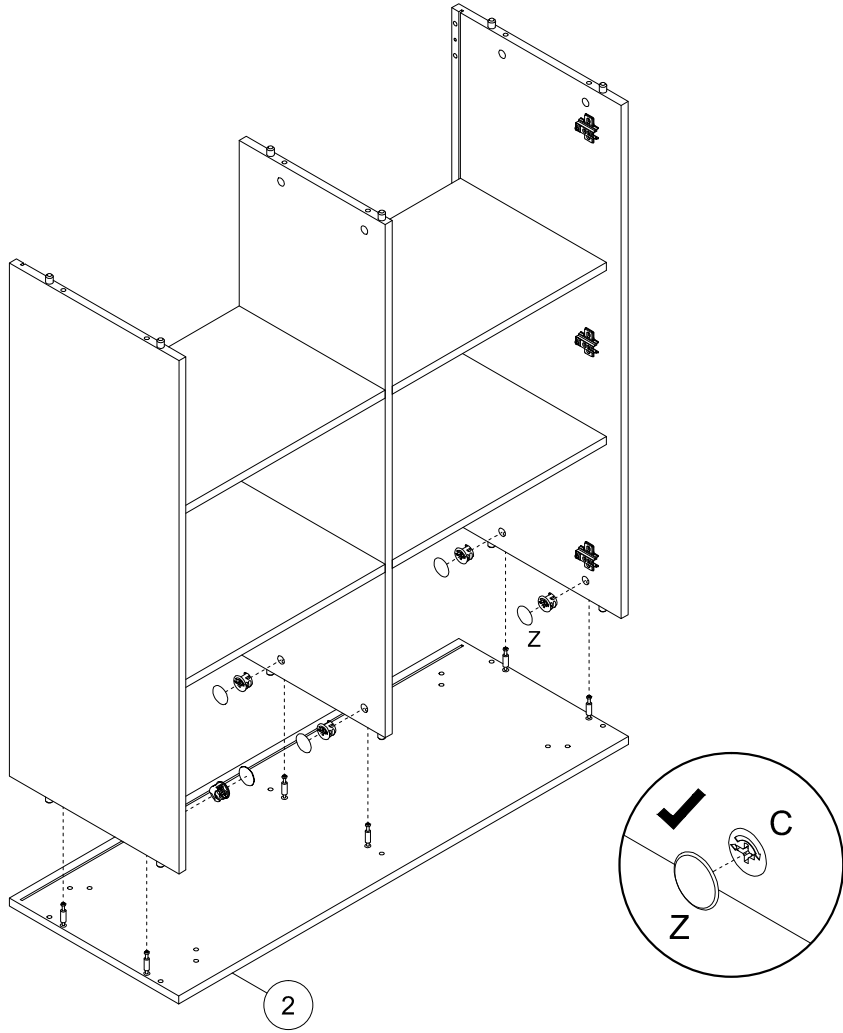
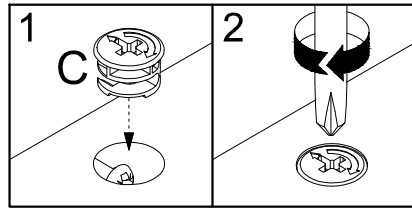
4



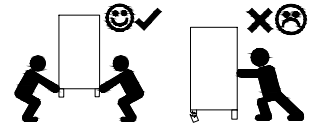
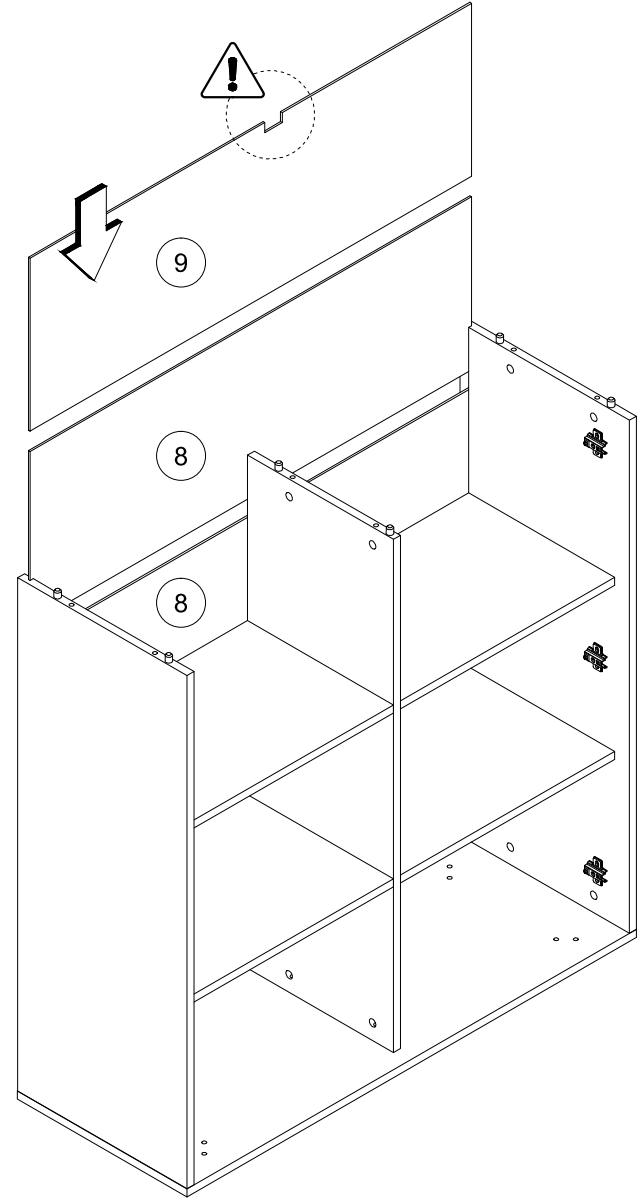
5



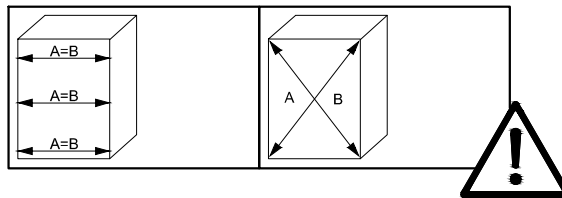
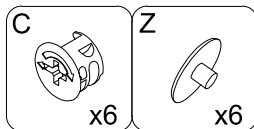
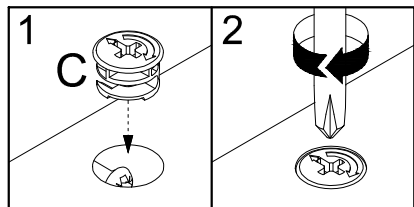
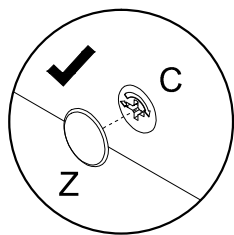
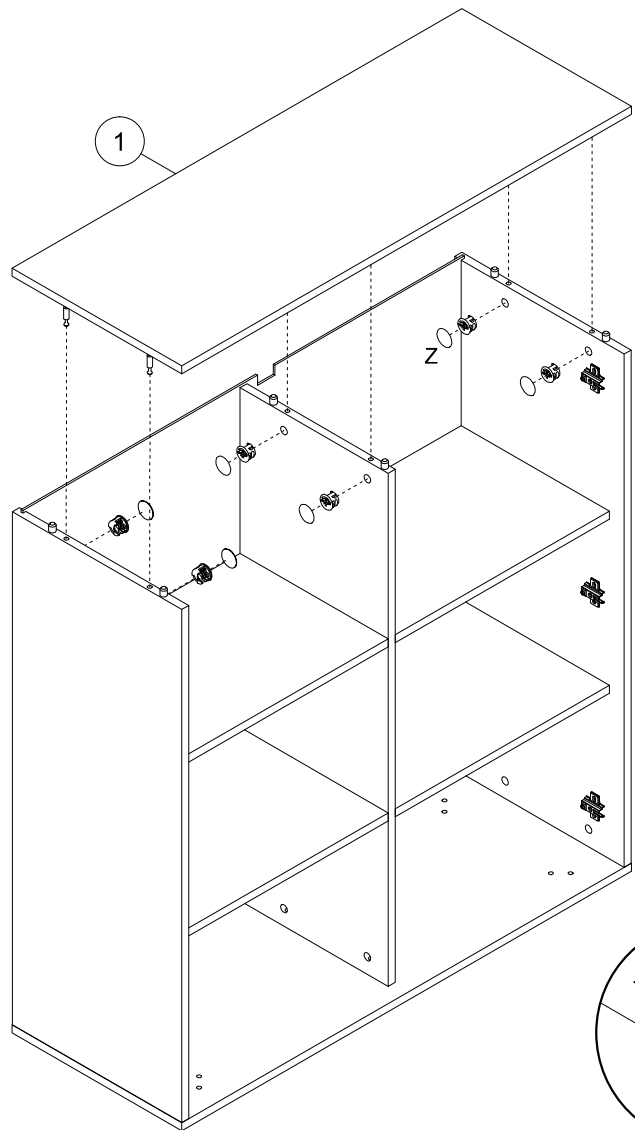
6



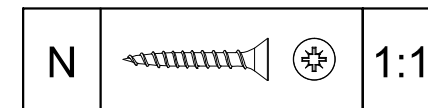
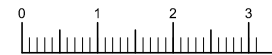
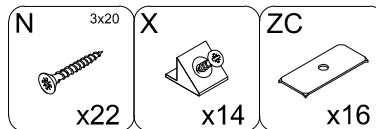
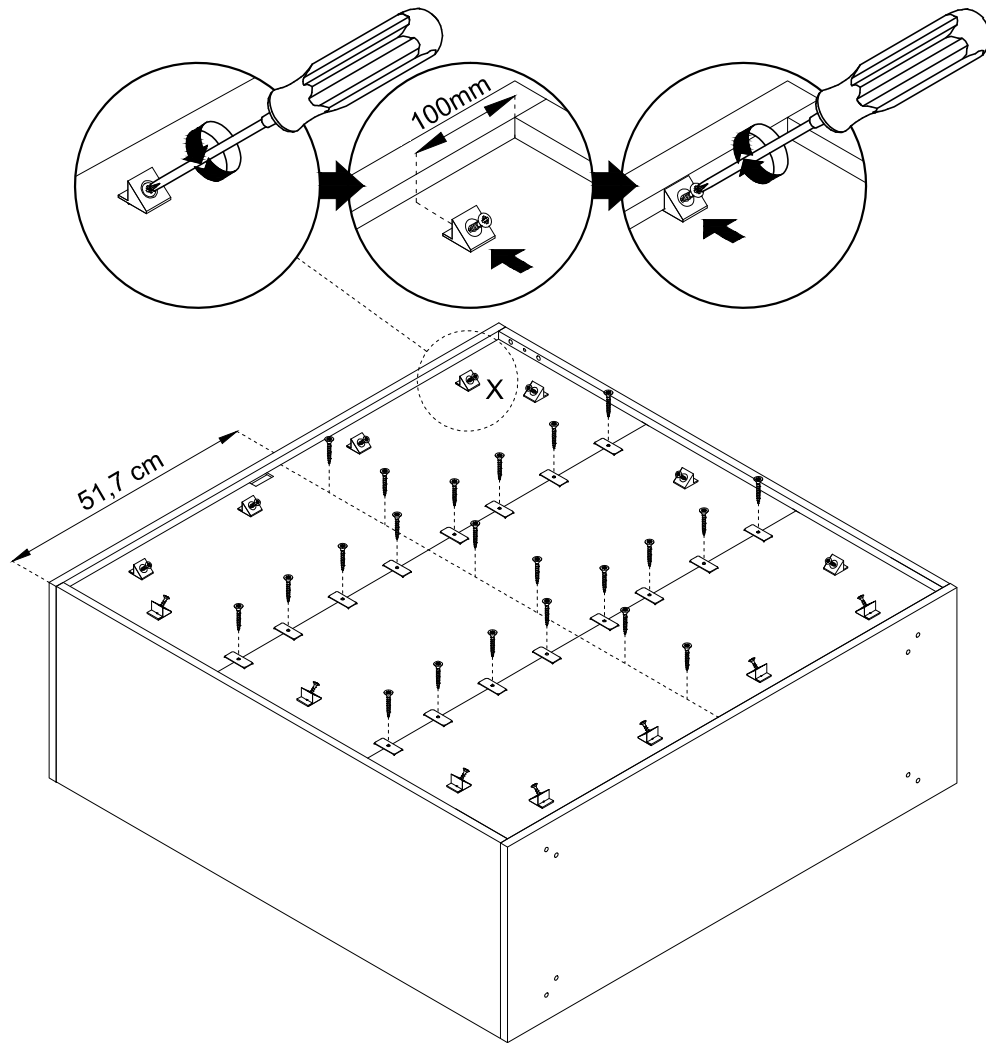
7



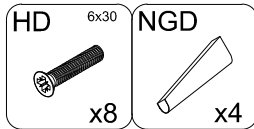
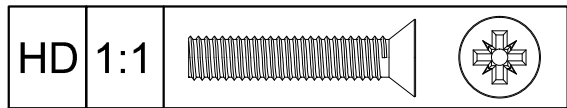
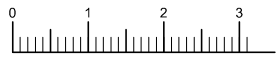
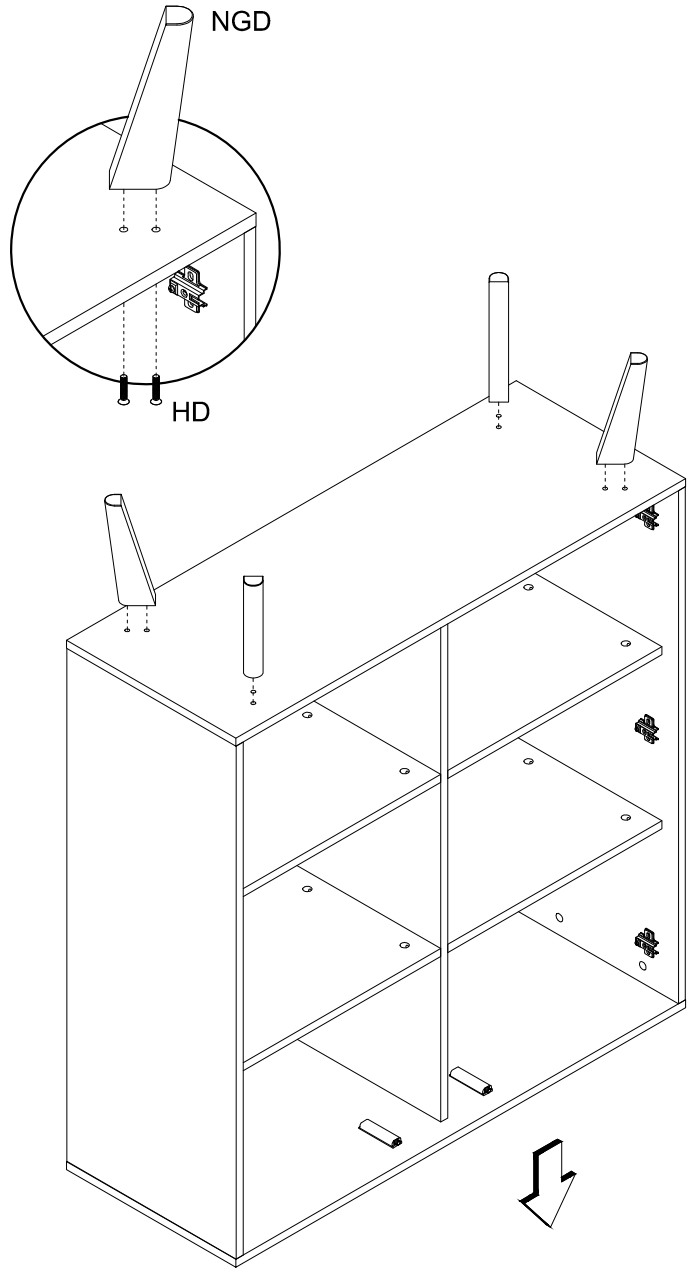
8



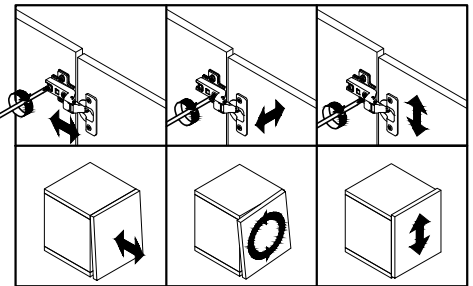
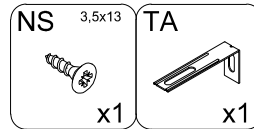
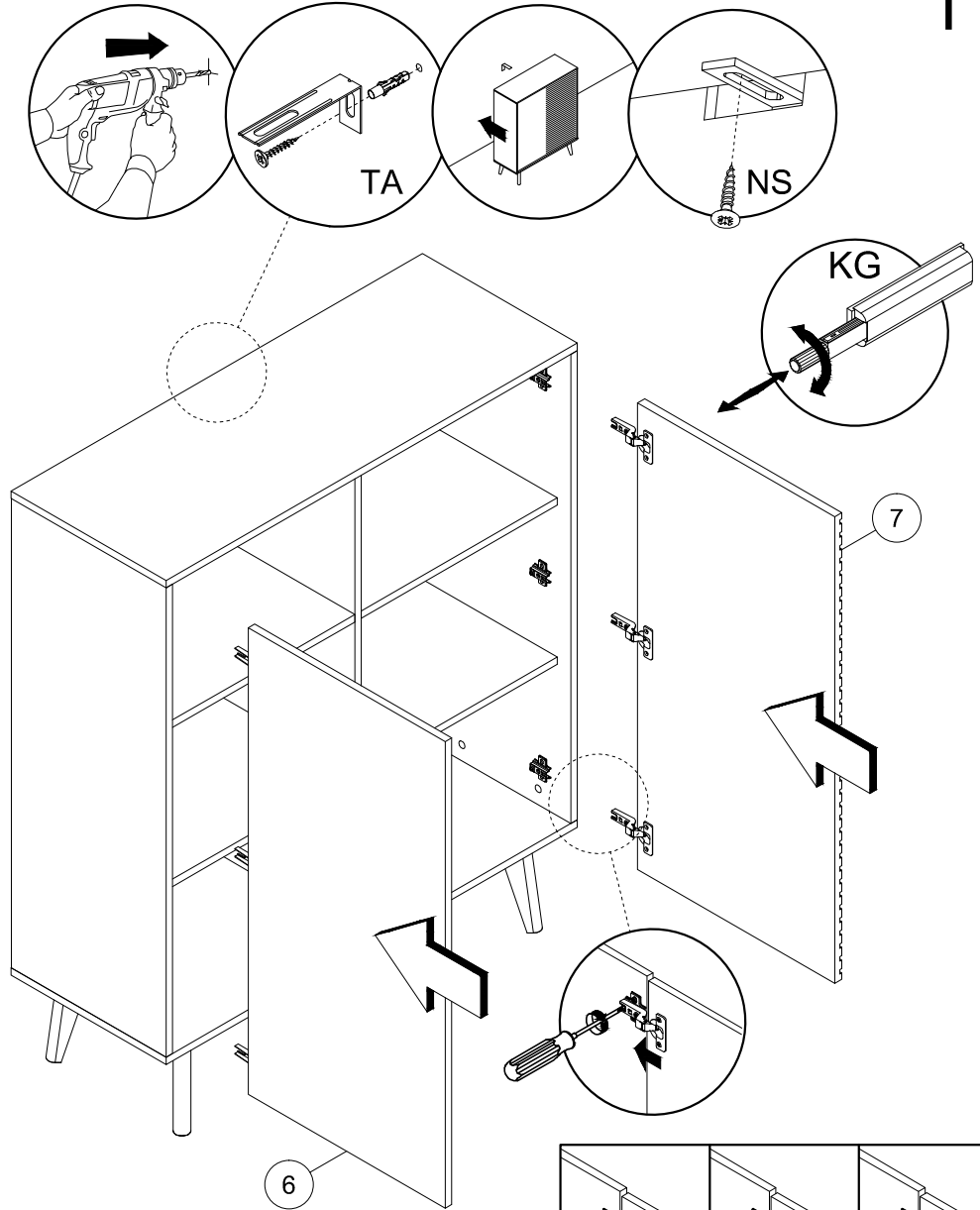
9

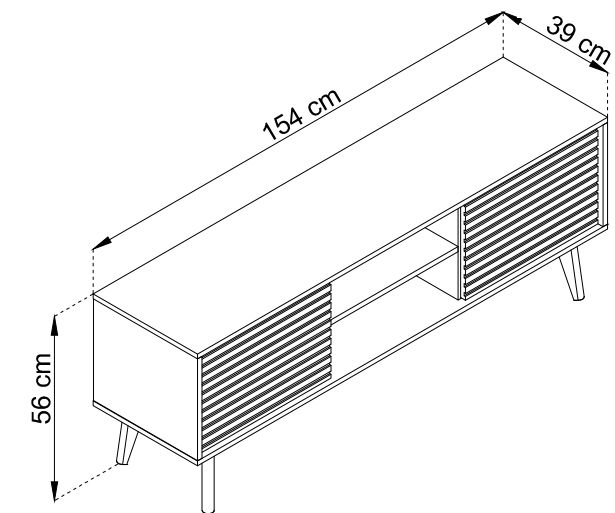
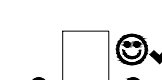
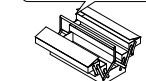
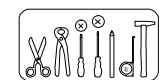
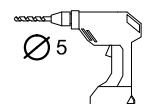
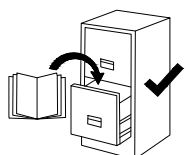
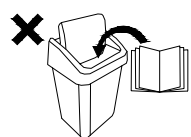
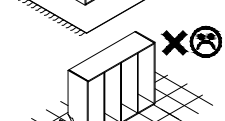
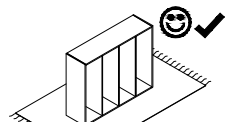
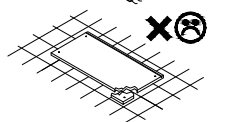
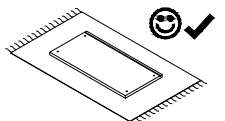


10

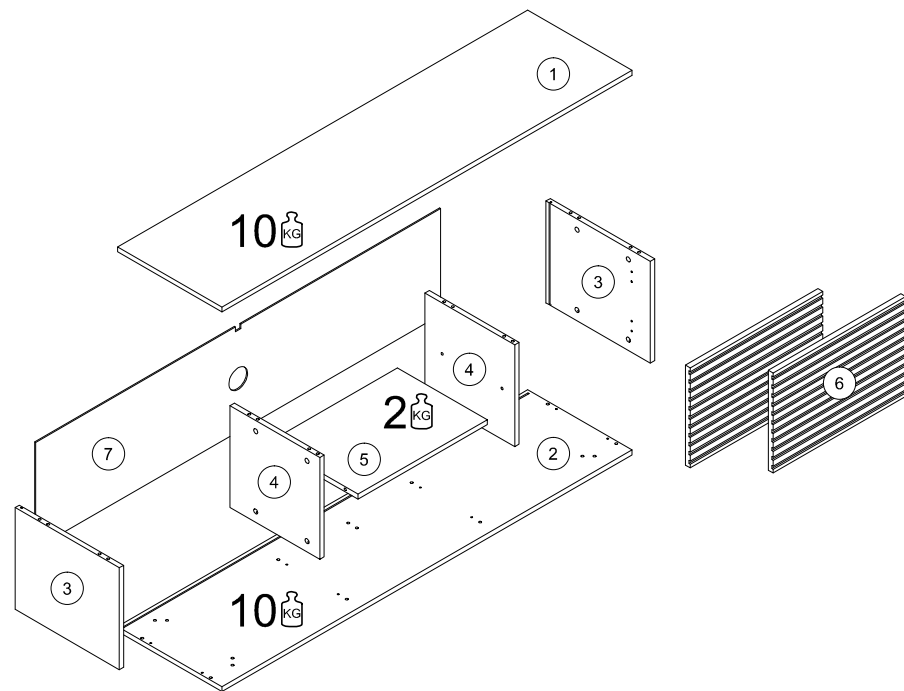


11





1,5H

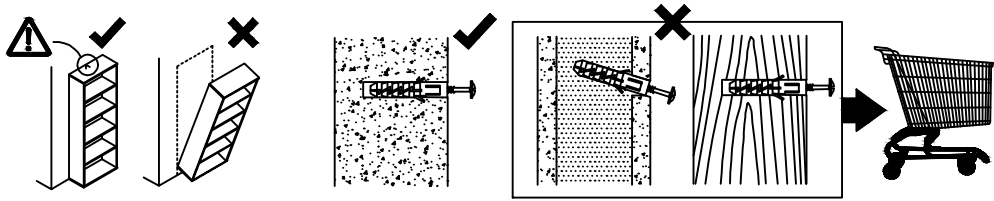
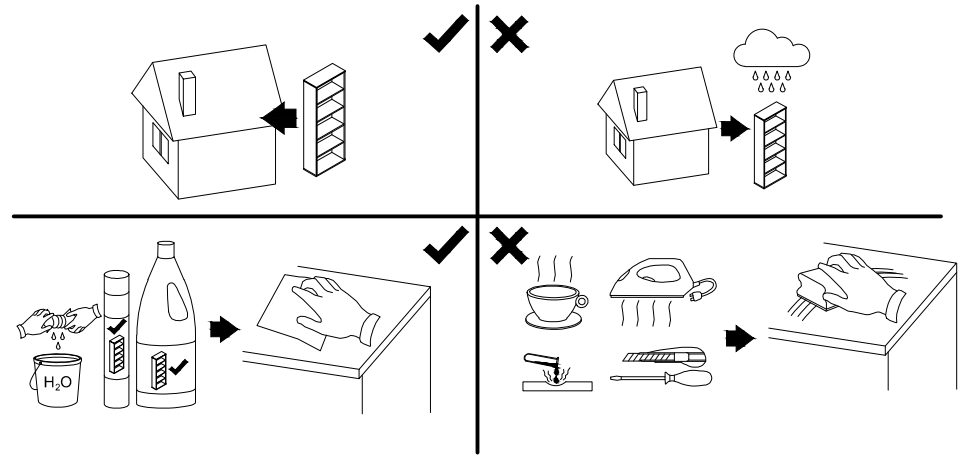
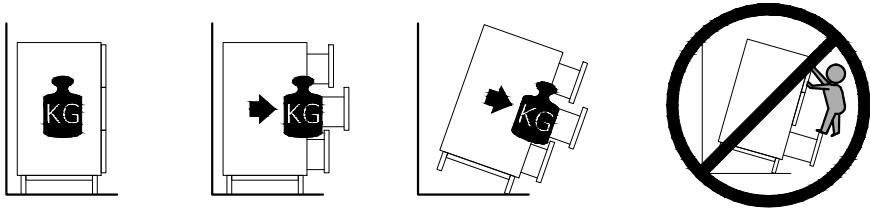


| | | | | | |
|-----|------|------|------|-----|--|
| A | 8x32 | B | 6x30 | | |
| x20 | x16 | | | | |
| C | HD | KG | N | NGD | |
| x16 | x10 | x2 | x6 | x5 | |
| NS | TA | W+H2 | X | Z | |
| x13 | x1 | x4 | x14 | x16 | |

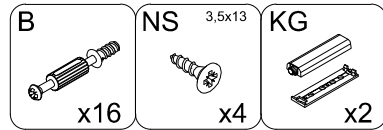
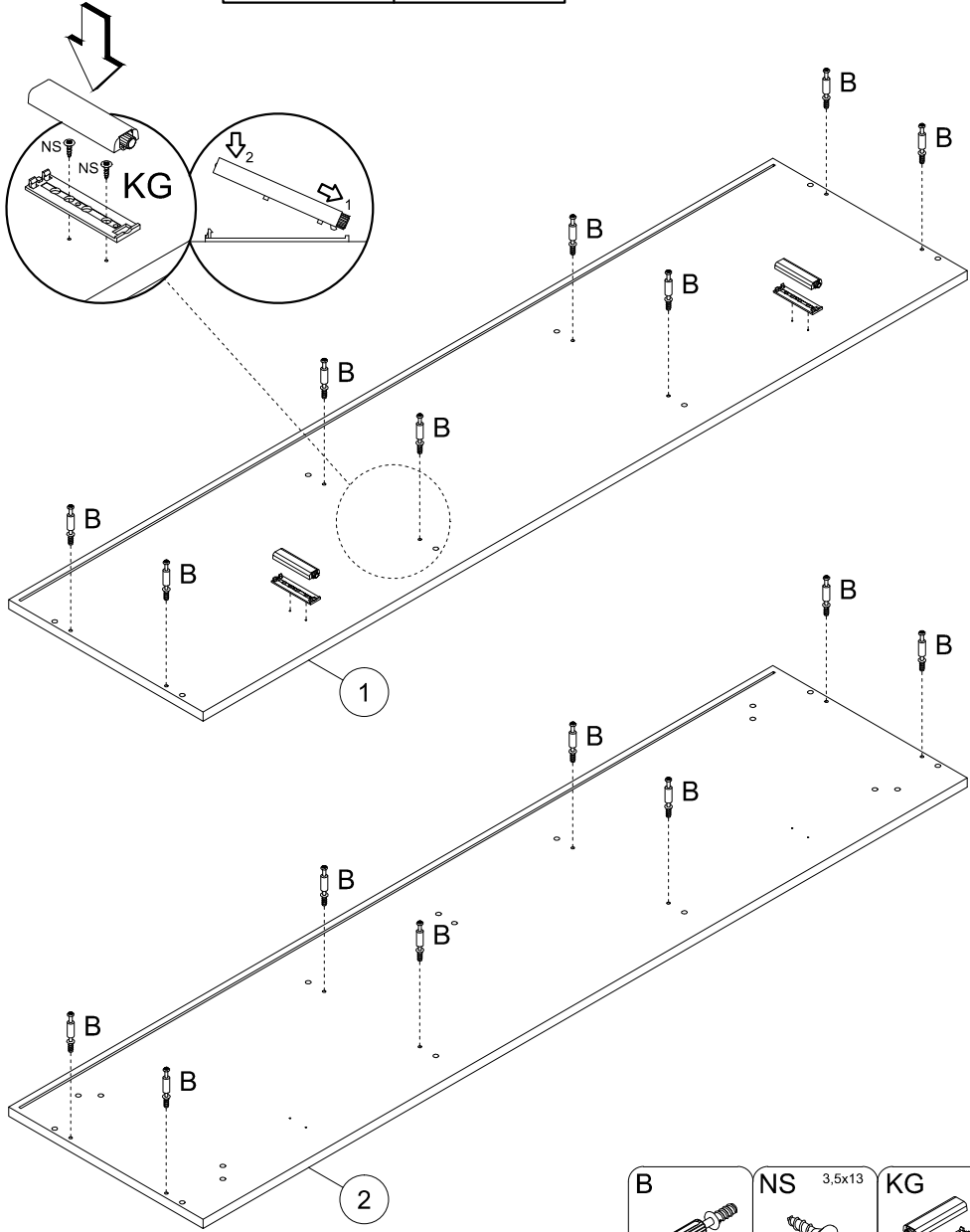
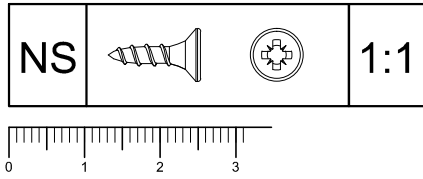
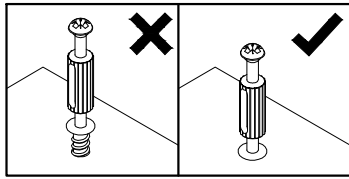
KG = 25 kg.



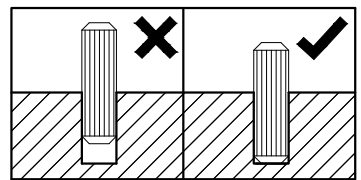
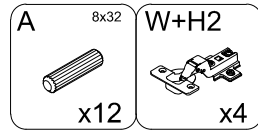
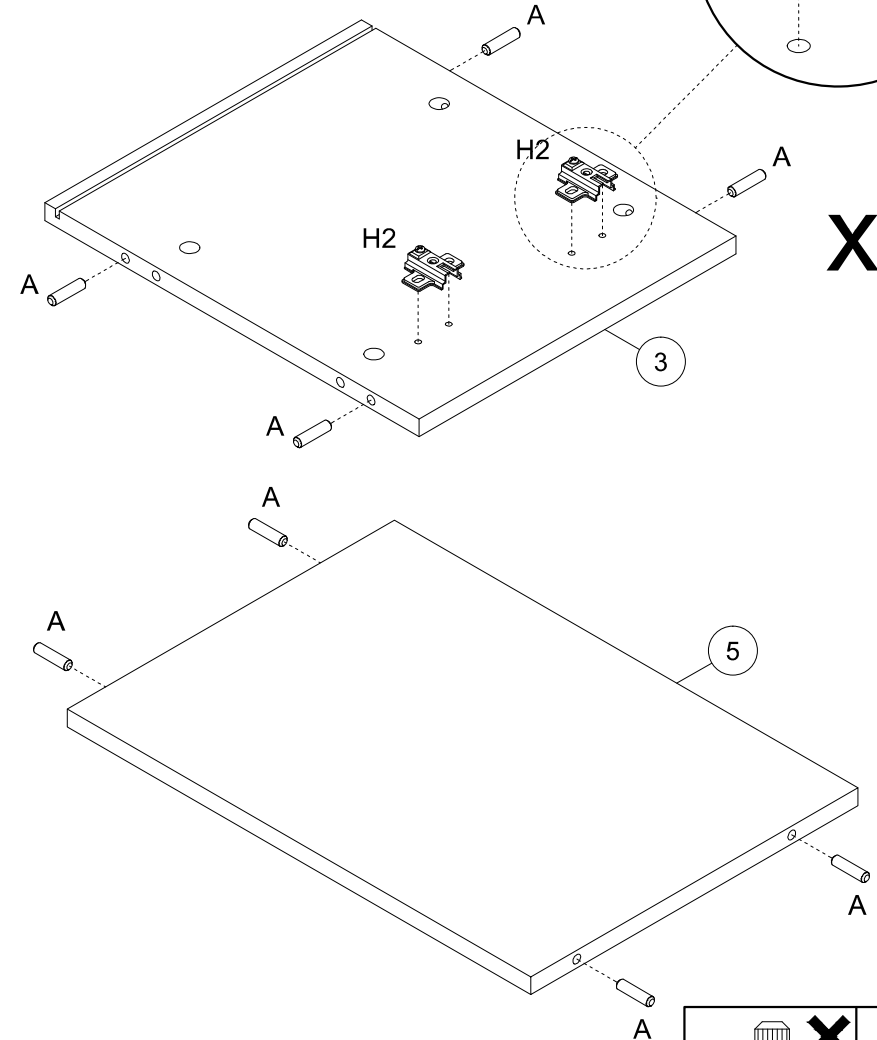
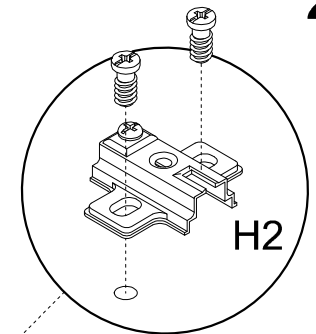
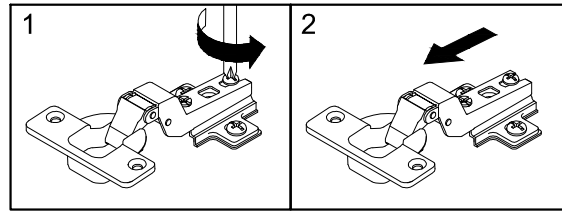
| | | | | | |
|---|------|-----|----|----|-------|
| 1 | 1534 | 390 | 16 | x1 | 1 / 1 |
| 2 | 1534 | 390 | 16 | x1 | 1 / 1 |
| 3 | 330 | 390 | 16 | x2 | 1 / 1 |
| 4 | 330 | 341 | 16 | x2 | 1 / 1 |
| 5 | 483 | 341 | 16 | x1 | 1 / 1 |
| 6 | 496 | 324 | 16 | x1 | 1 / 1 |
| 7 | 1513 | 342 | 3 | x1 | 1 / 1 |



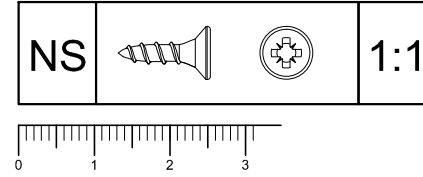
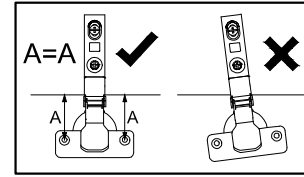
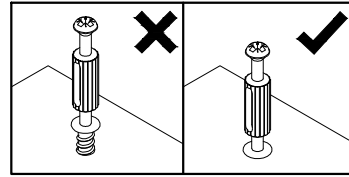
1



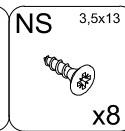
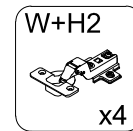
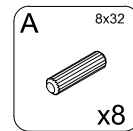
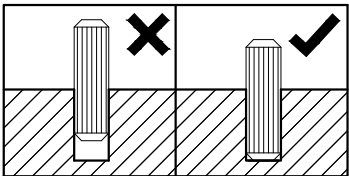
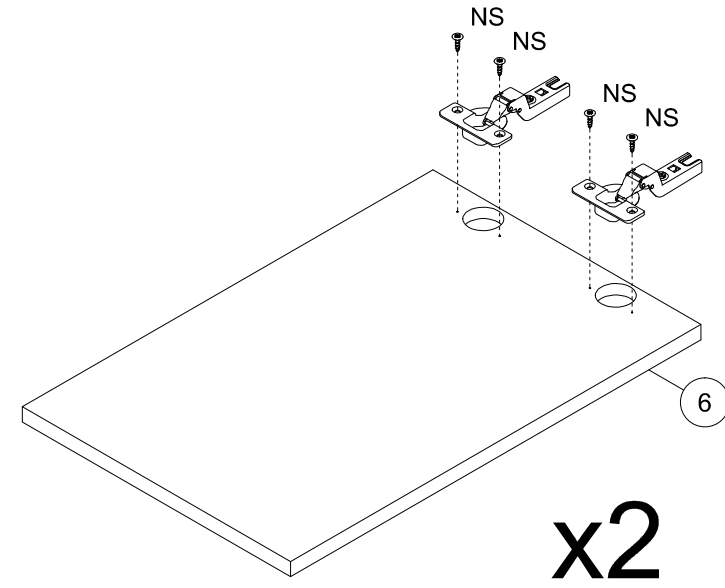
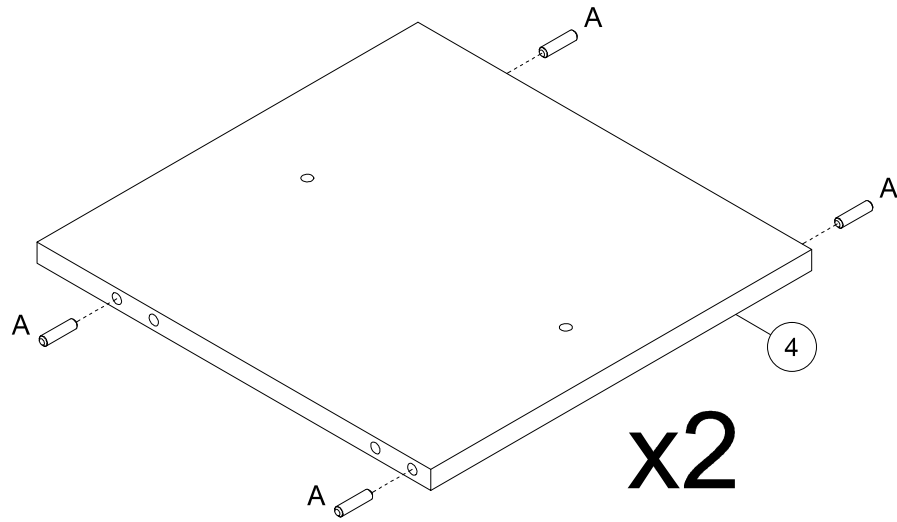
2



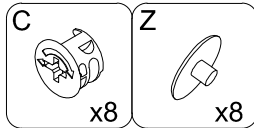
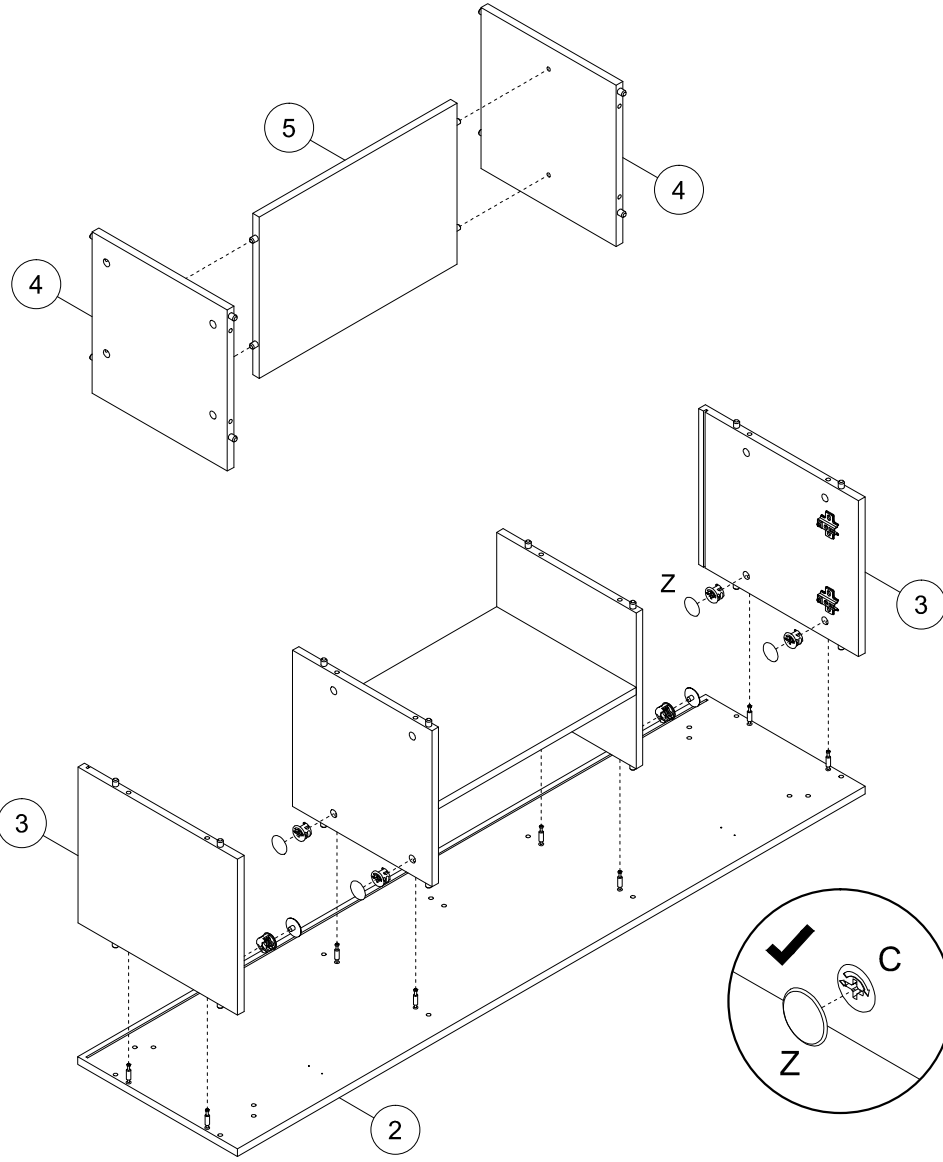
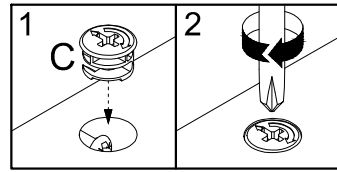
3



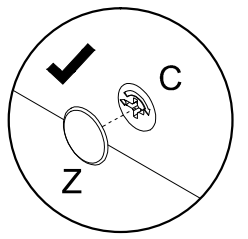
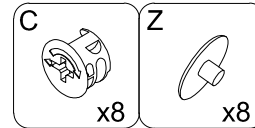
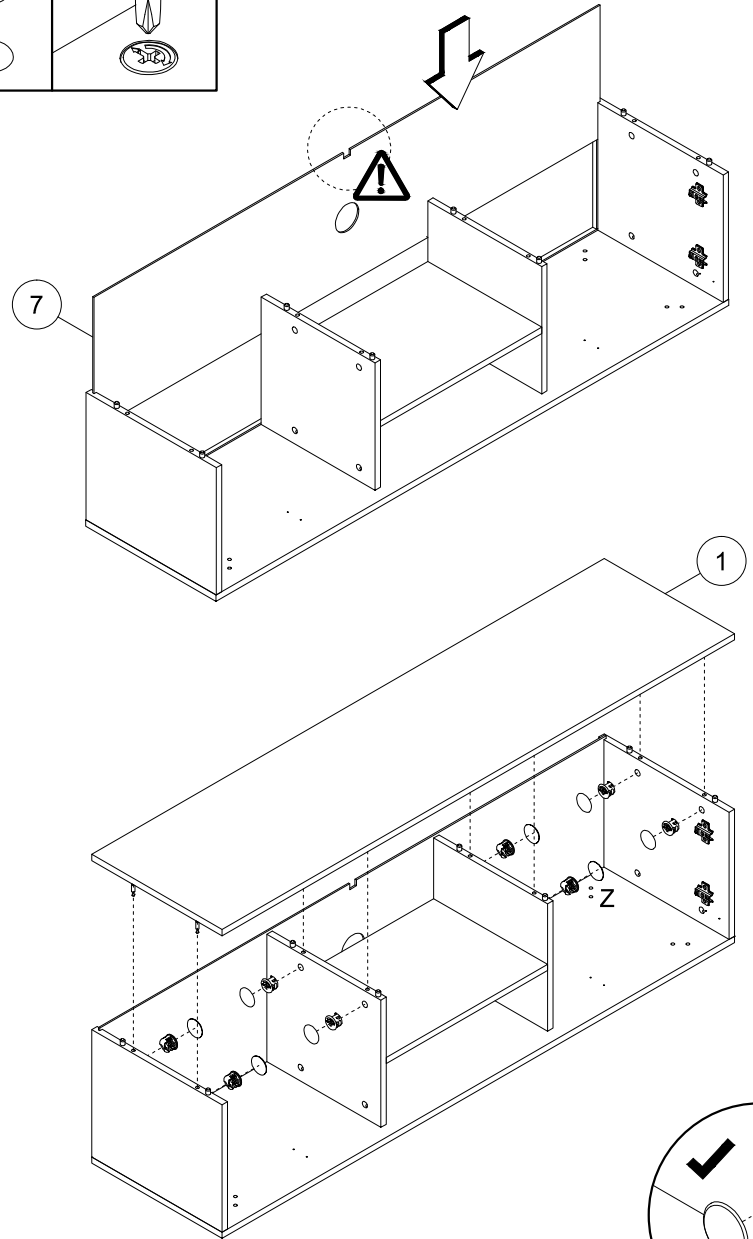
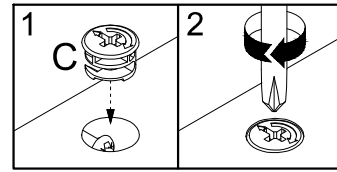
4



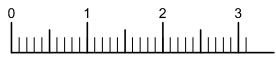
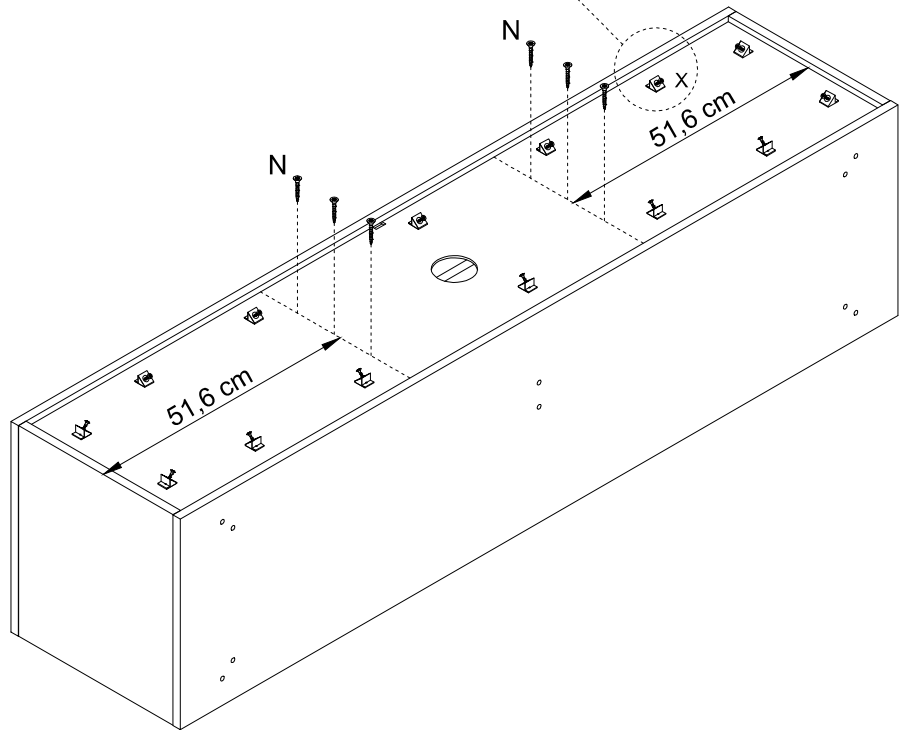
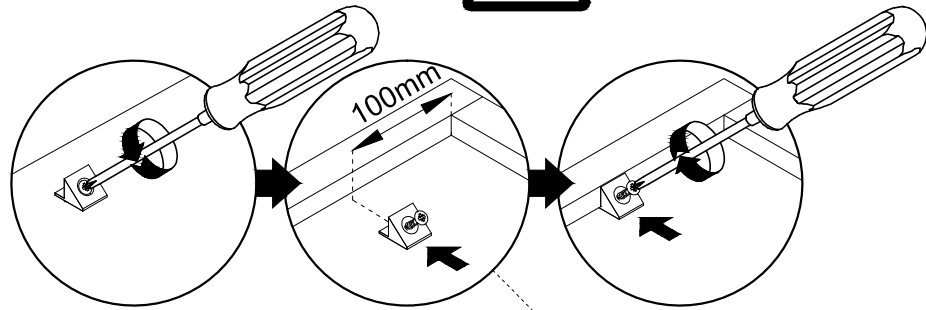
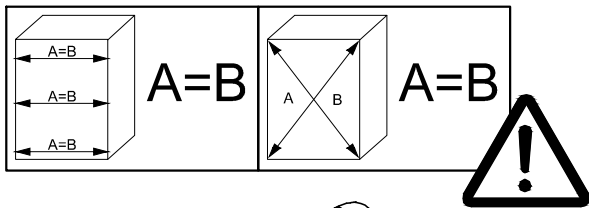
5



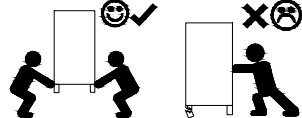
6



7

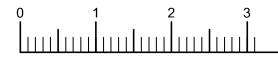
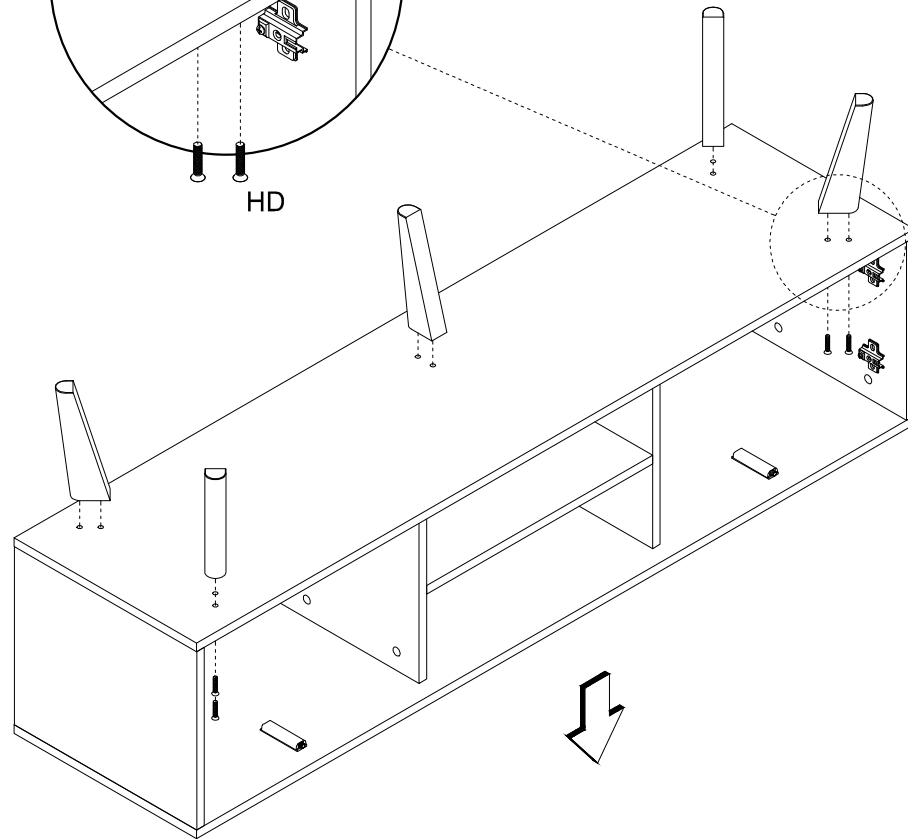
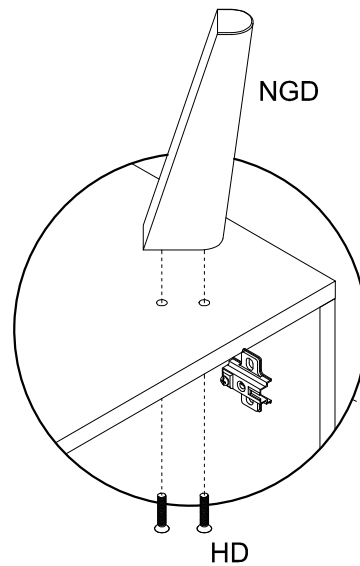


| | | | |
|---|--|--|-----|
| N | | | 1:1 |
|---|--|--|-----|



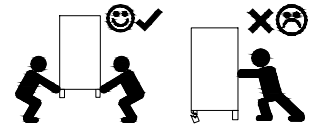
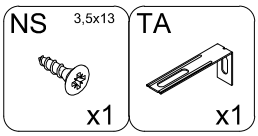
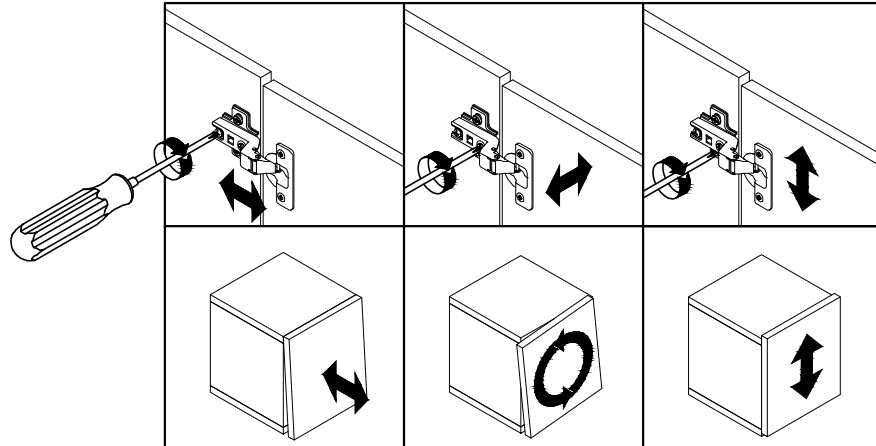
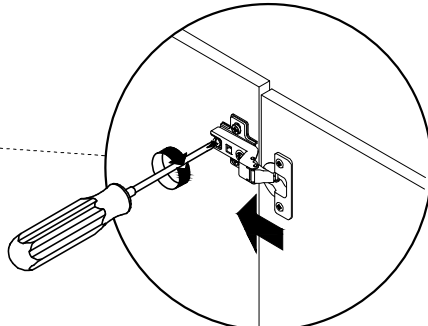
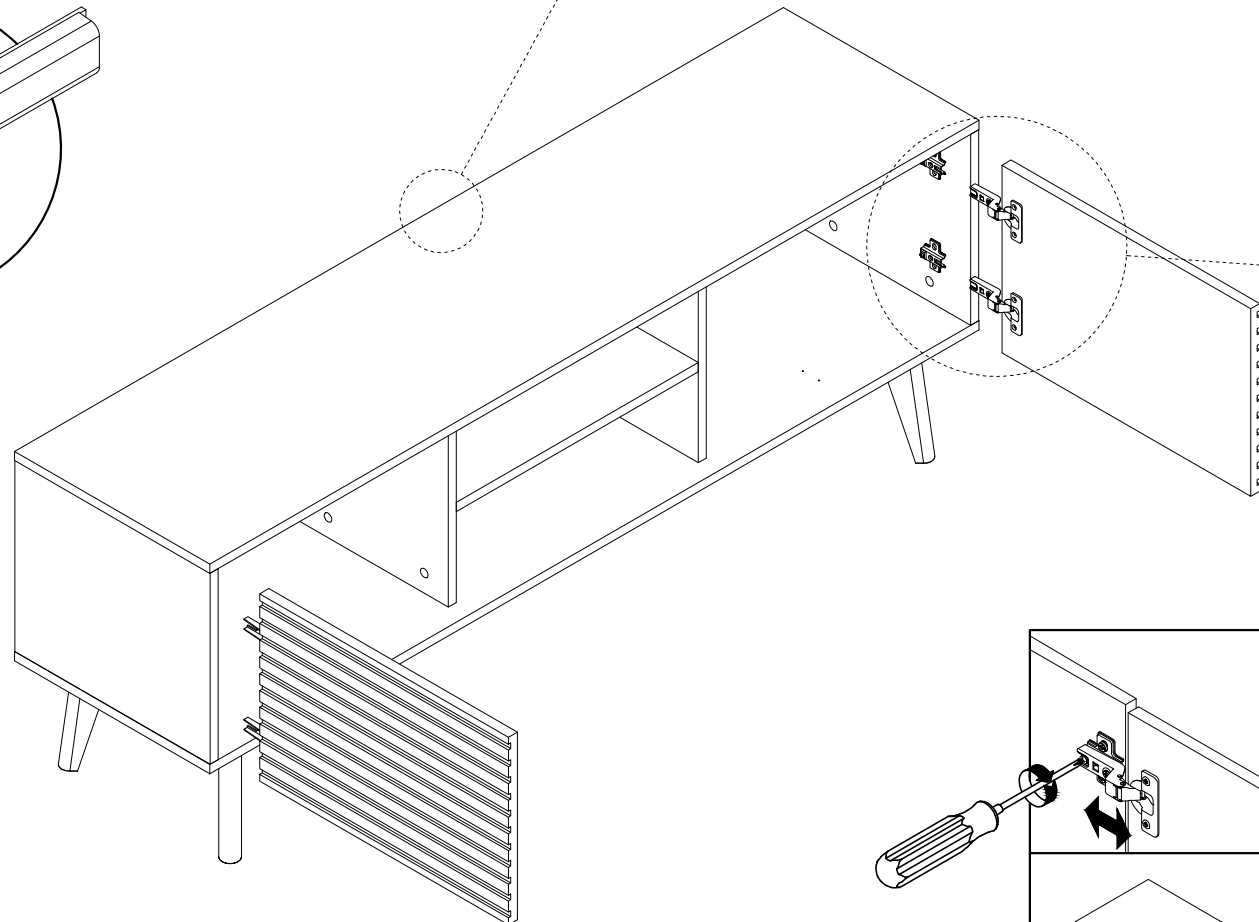
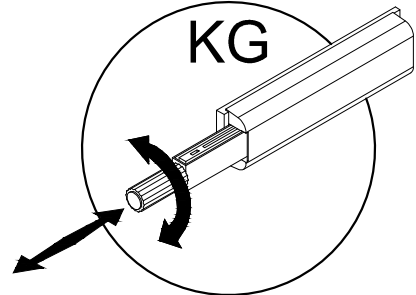
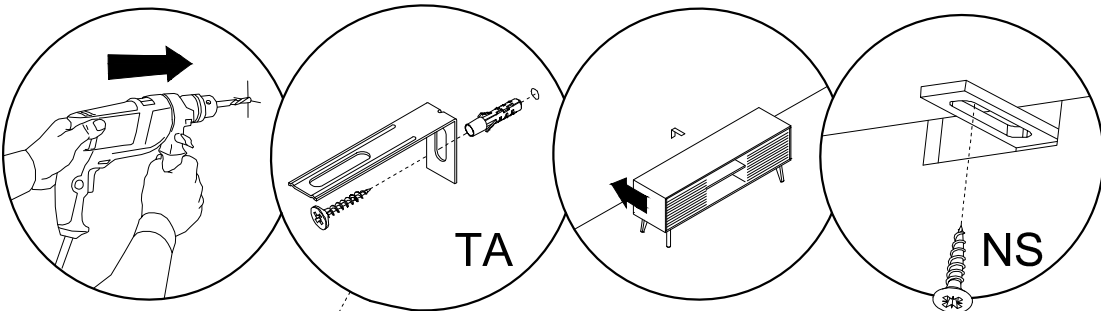
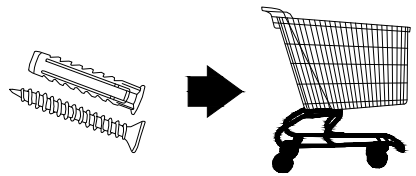
| | | |
|---|------|-----|
| N | 3x20 | X |
| | x6 | |
| | | x14 |

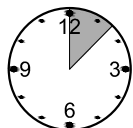
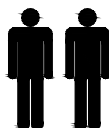
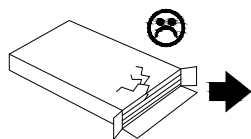
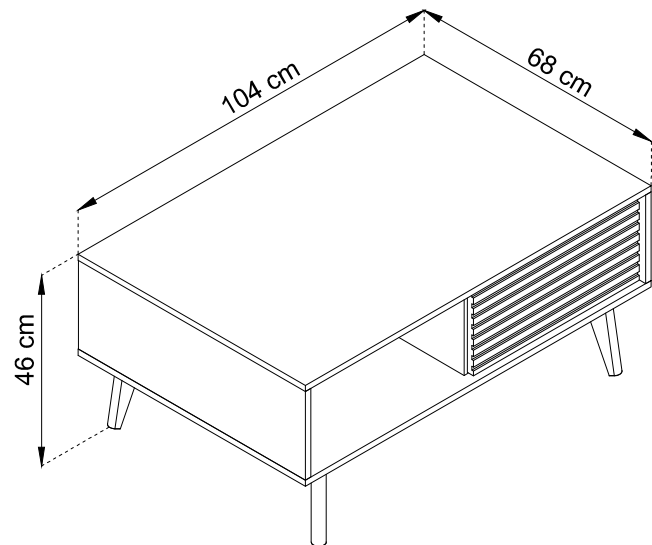
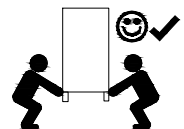
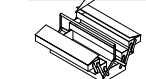
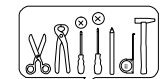
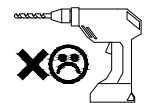
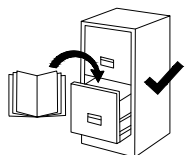
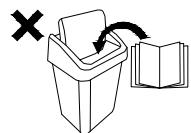
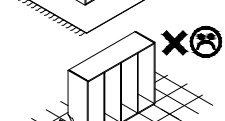
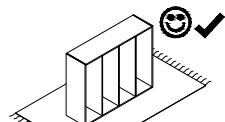
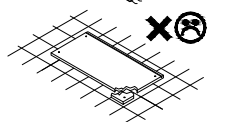
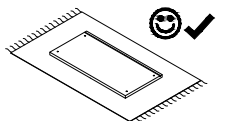
8



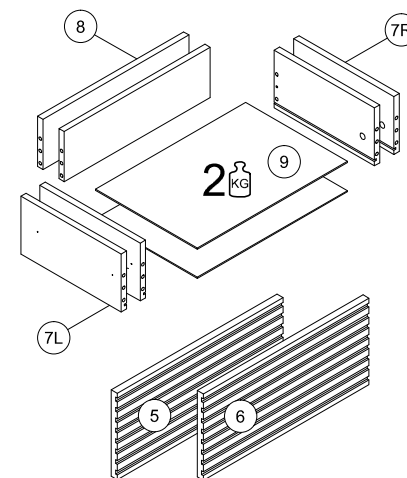
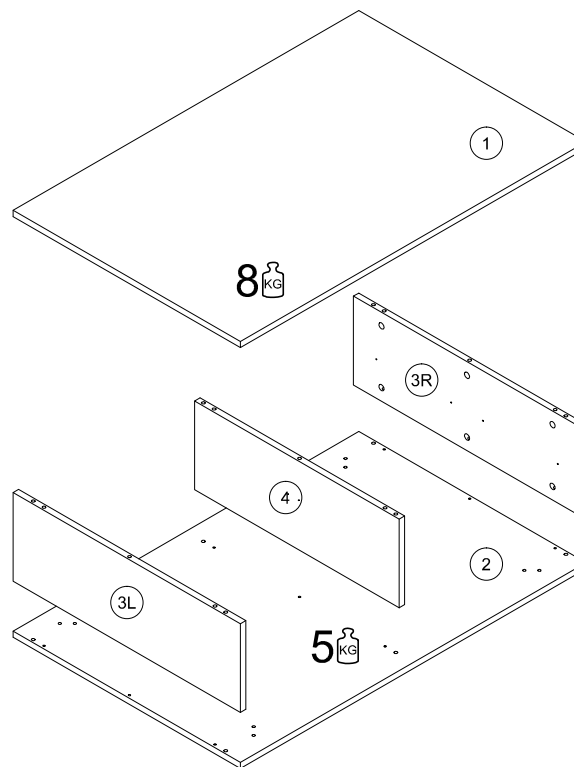
| | | | |
|----|-----|--|--|
| HD | 1:1 | | |
|----|-----|--|--|

| | |
|-----|-----|
| HD | NGD |
| | |
| x10 | x5 |

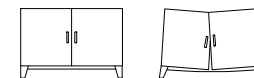




1.5 H

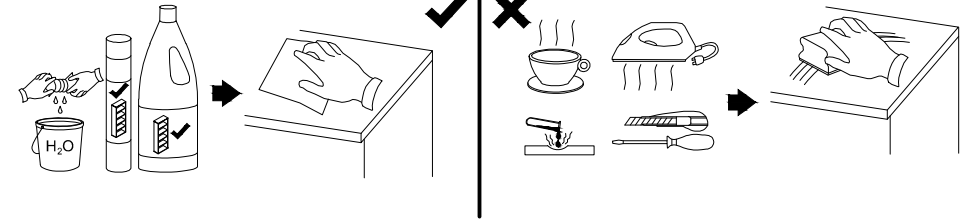
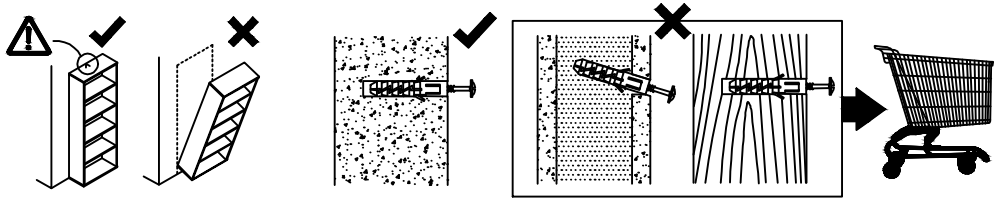
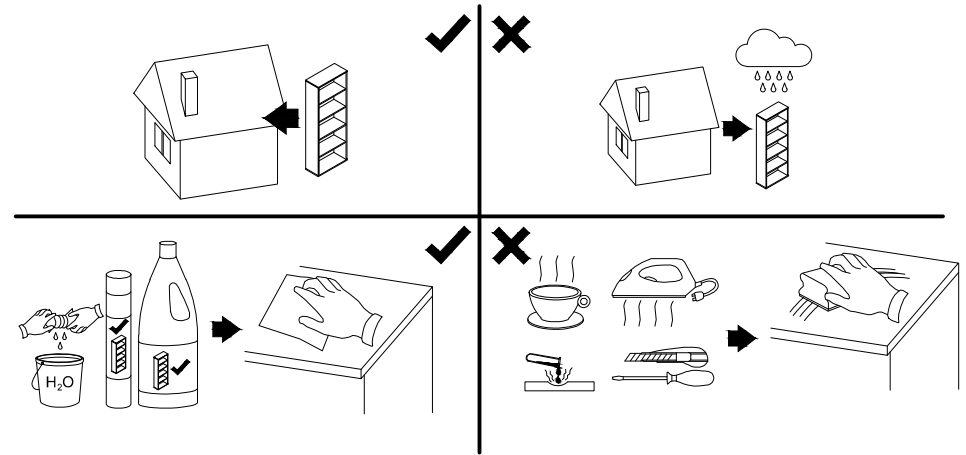
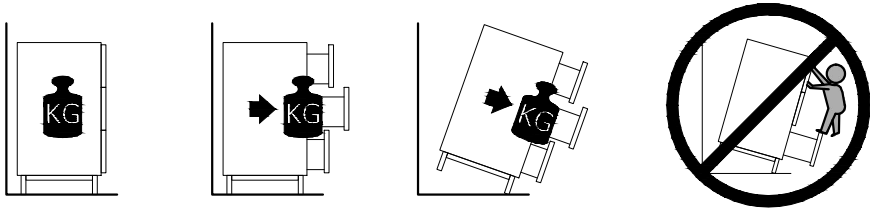


KG = 15 kg.

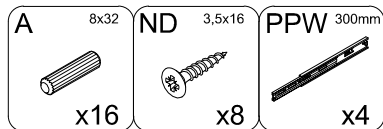
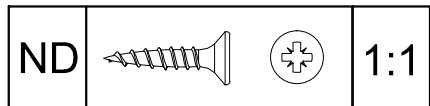
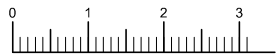
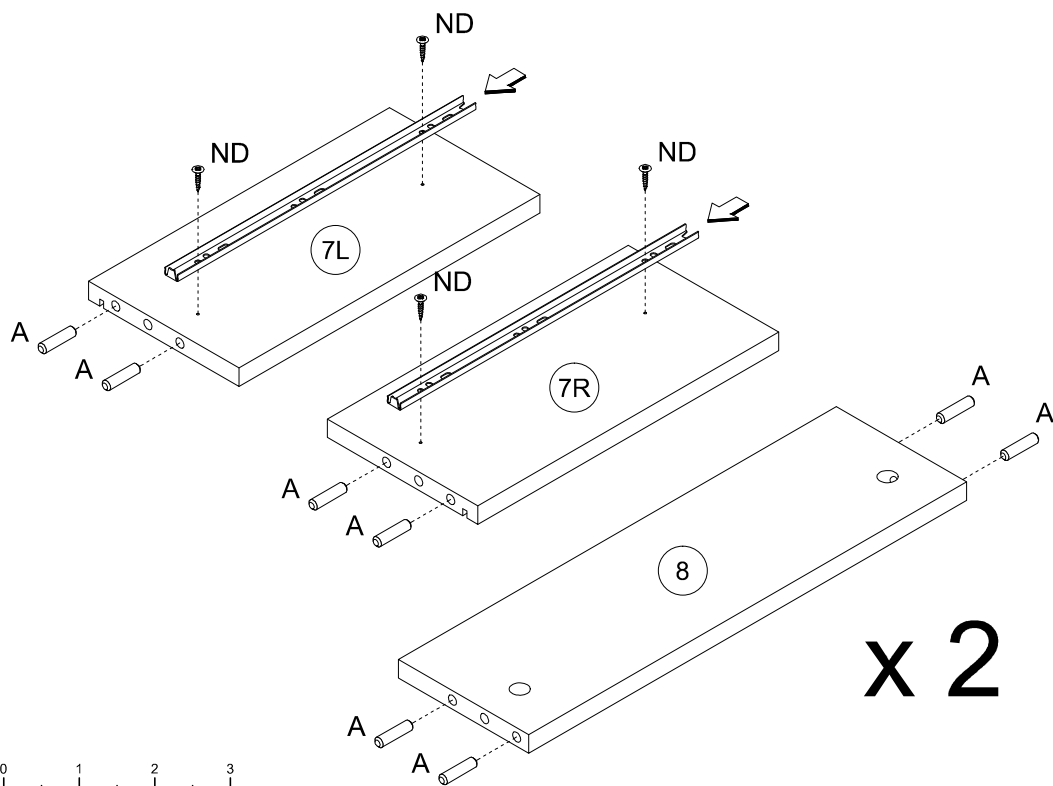
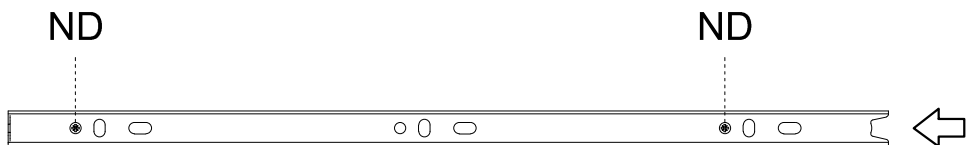
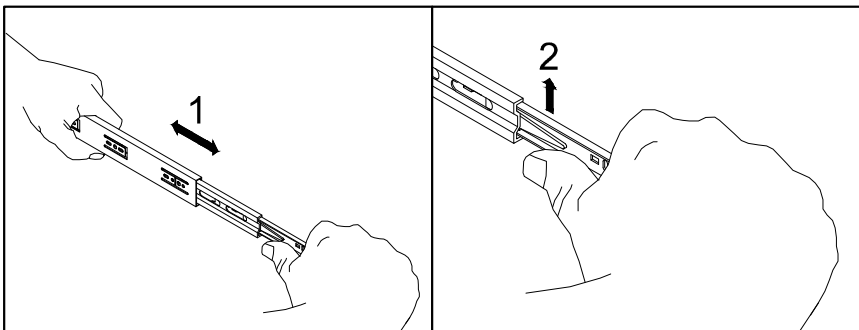


| | | | | | |
|----|--------|-----|--------|-------|------|
| A | 8x32 | | | | |
| | | | | | |
| | x28 | | | | |
| B | | C | HD | KG | N |
| | | | 6x30 | | 3x20 |
| | x26 | x26 | x8 | x2 | x10 |
| ND | 3,5x16 | NGD | NS | PPW | Z |
| | | | 3,5x13 | 300mm | |
| | x16 | x4 | x4 | x4 | x10 |

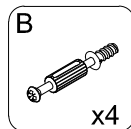
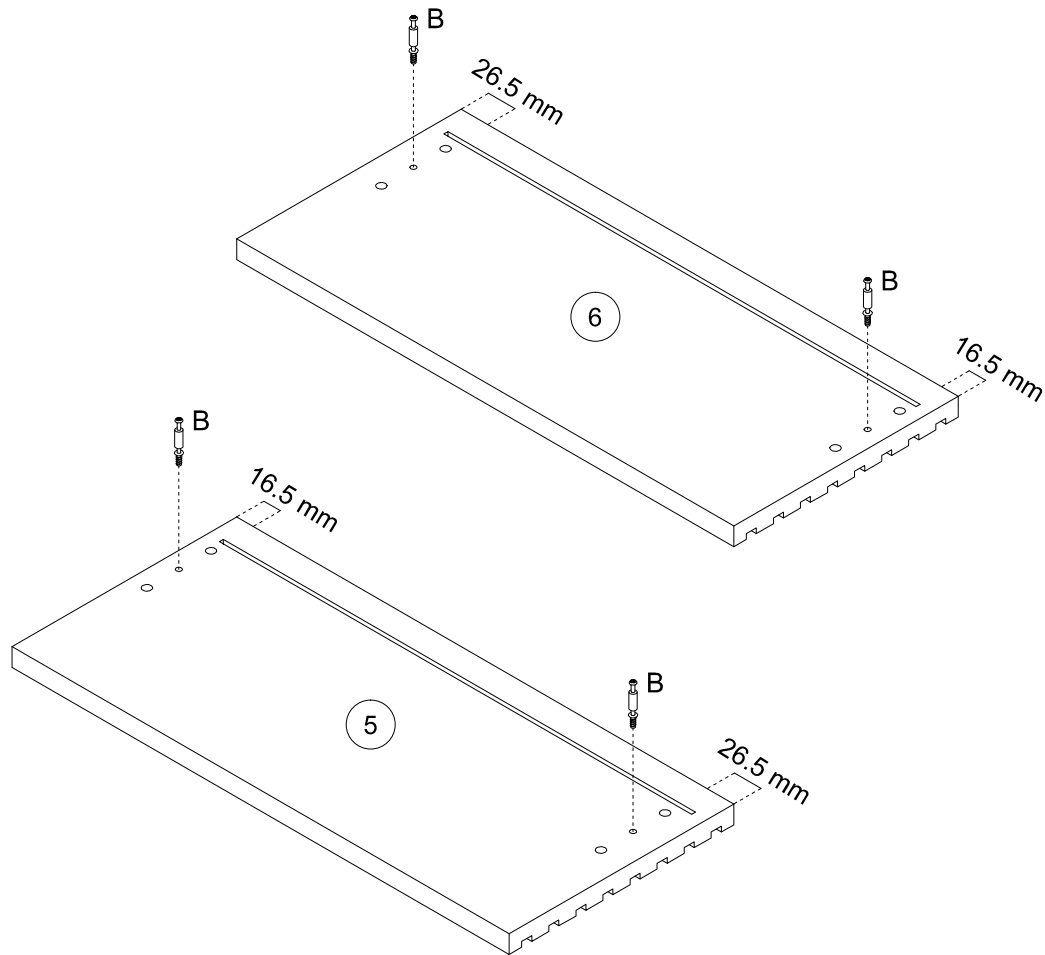
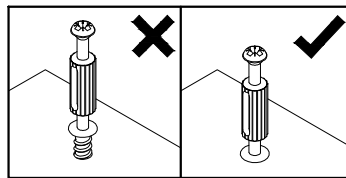
| | | | | | |
|----|------|-----|----|----|-------|
| 1 | 1035 | 680 | 16 | x2 | 1 / 1 |
| 3L | 680 | 230 | 16 | x1 | 1 / 1 |
| 3R | 680 | 230 | 16 | x1 | 1 / 1 |
| 4 | 612 | 230 | 16 | x1 | 1 / 1 |
| 5 | 496 | 224 | 18 | x1 | 1 / 1 |
| 6 | 496 | 224 | 18 | x1 | 1 / 1 |
| 7L | 300 | 150 | 16 | x2 | 1 / 1 |
| 7R | 300 | 150 | 16 | x2 | 1 / 1 |
| 8 | 437 | 130 | 16 | x2 | 1 / 1 |
| 9 | 449 | 306 | 3 | x2 | 1 / 1 |



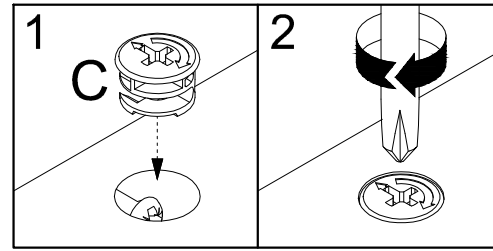
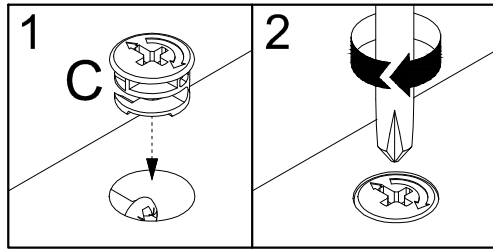
1



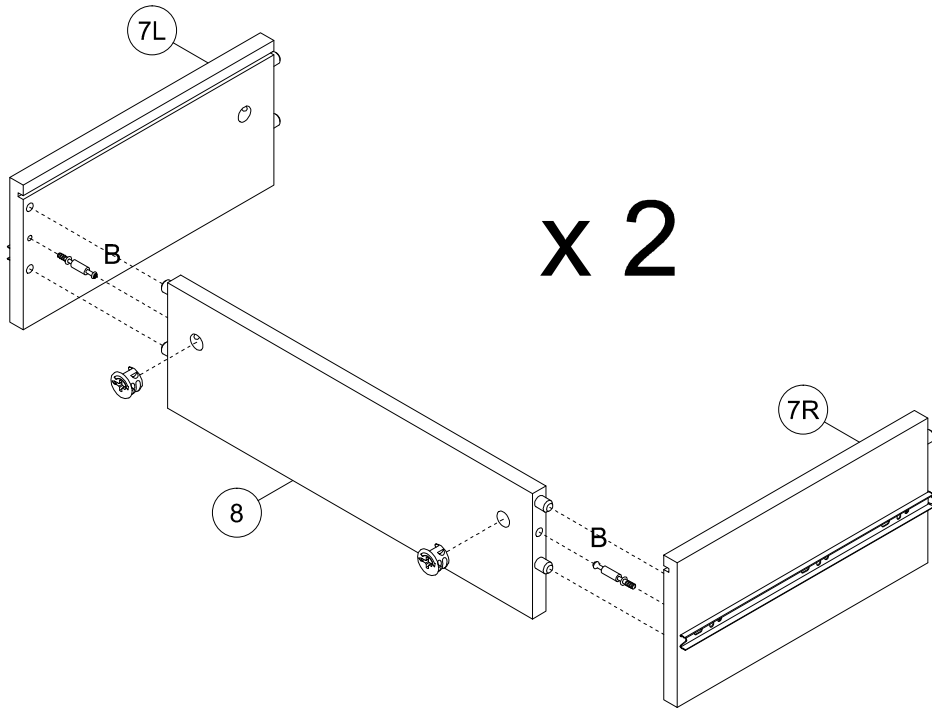
2



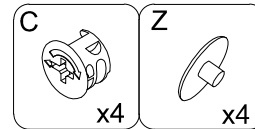
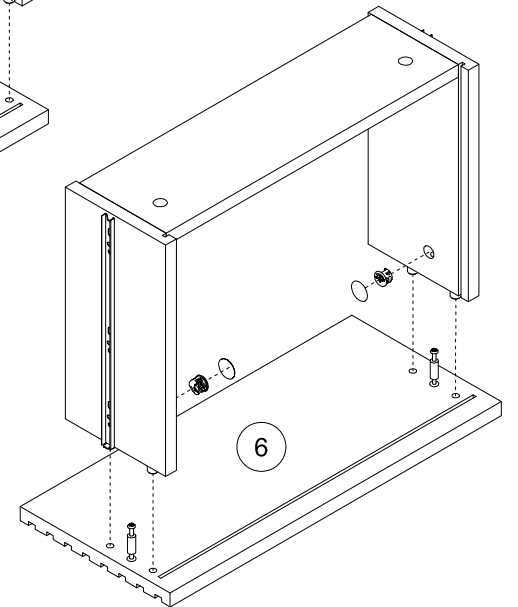
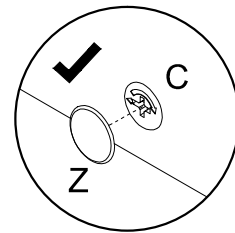
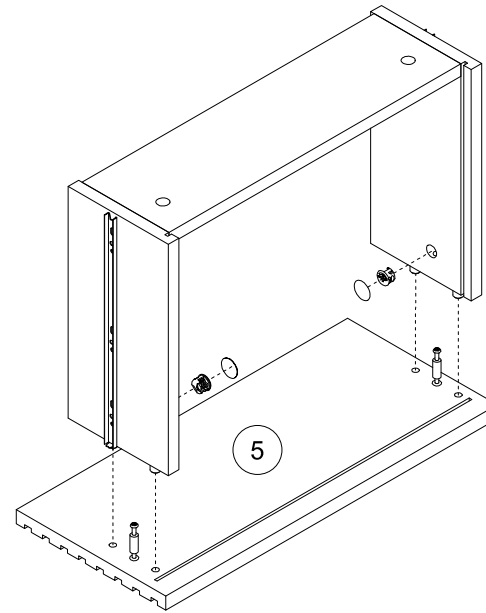
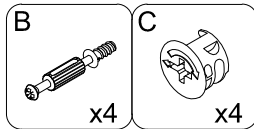
3



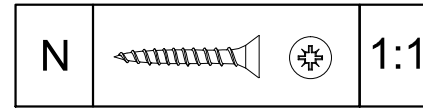
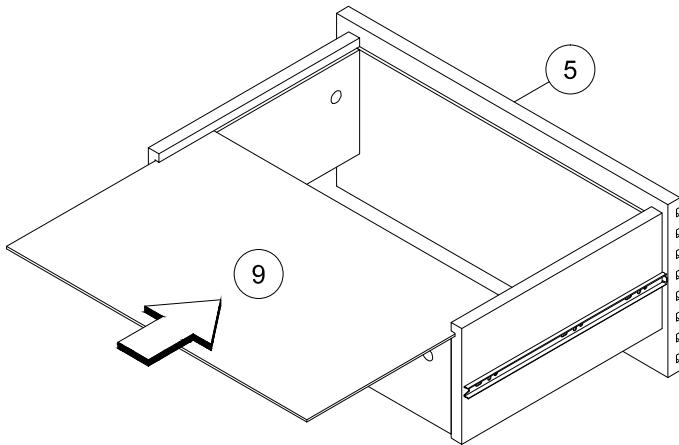
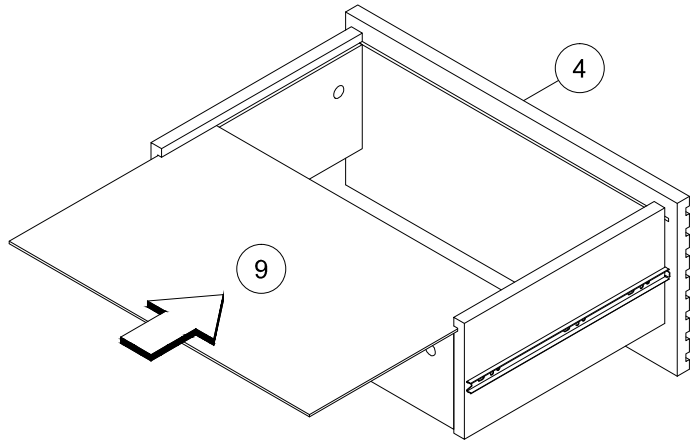
4



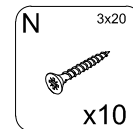
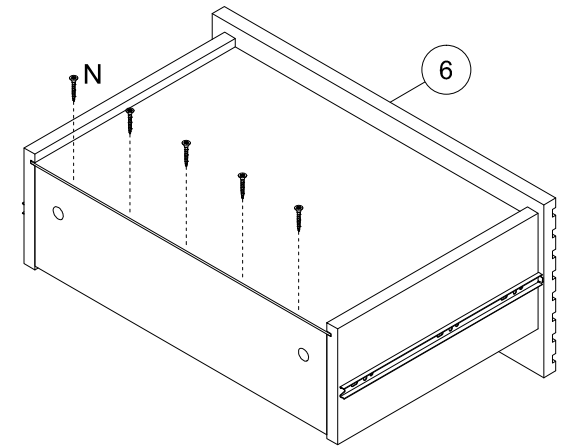
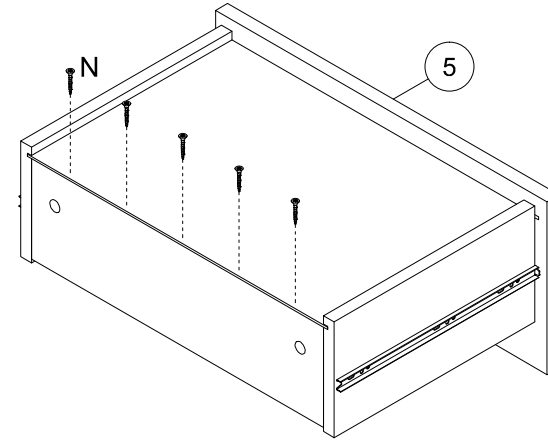
x 2



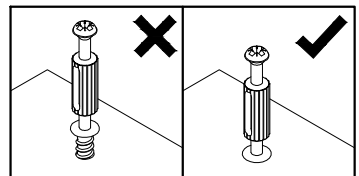
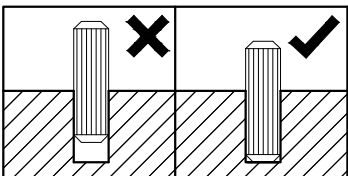
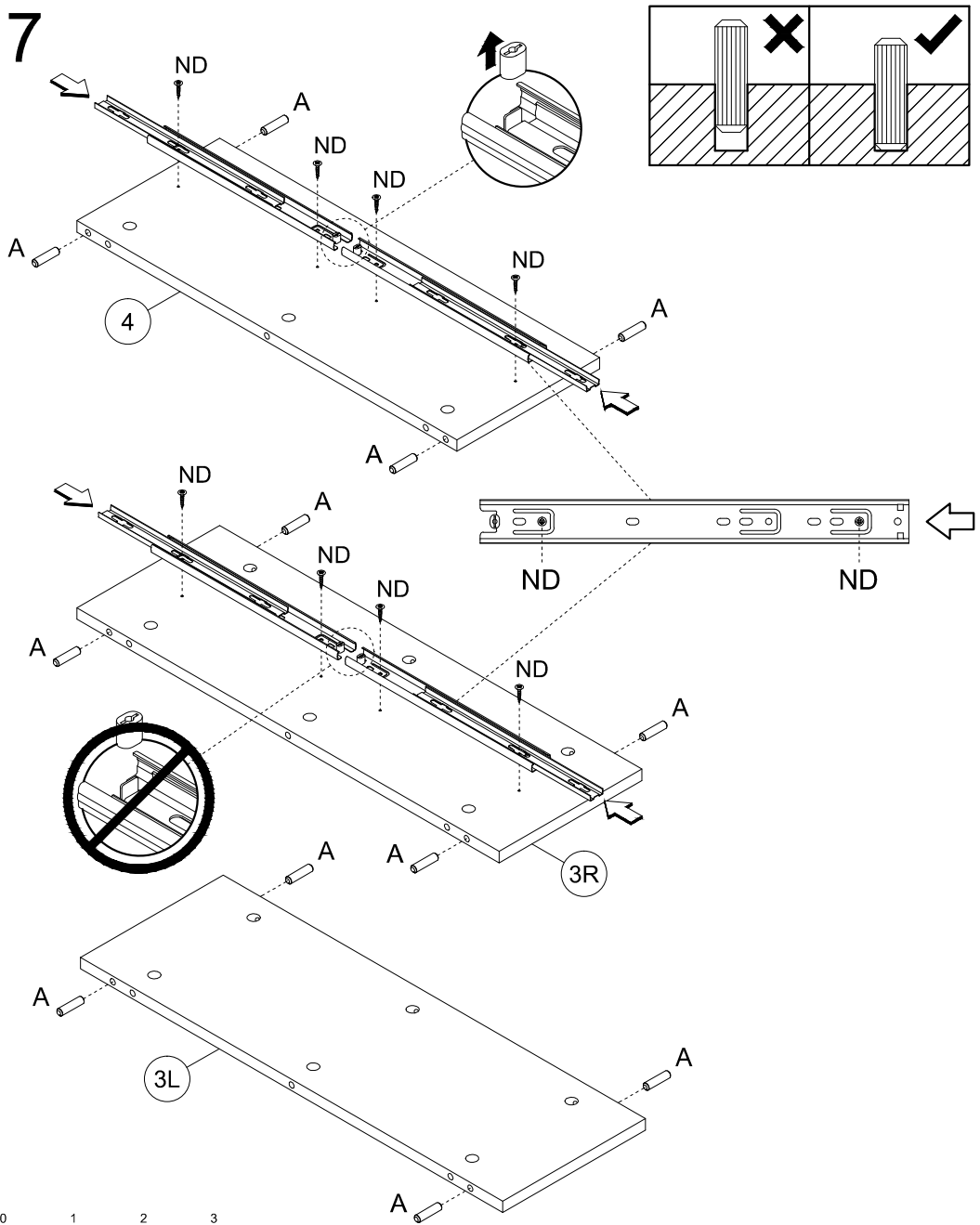
5



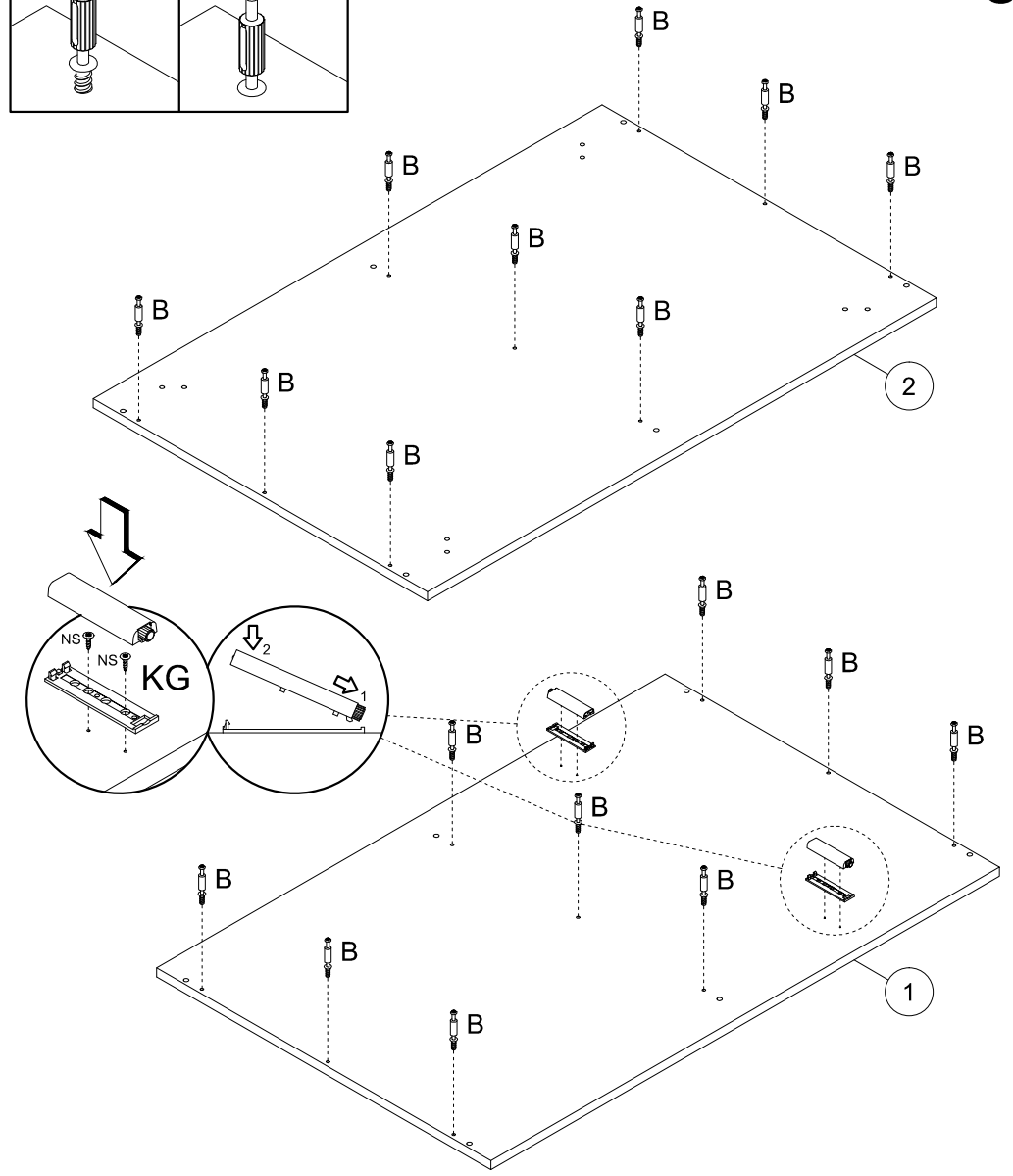
6



7



8



| | | | |
|----|--|--|-----|
| ND | | | 1:1 |
|----|--|--|-----|

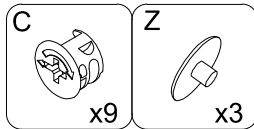
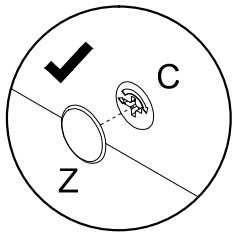
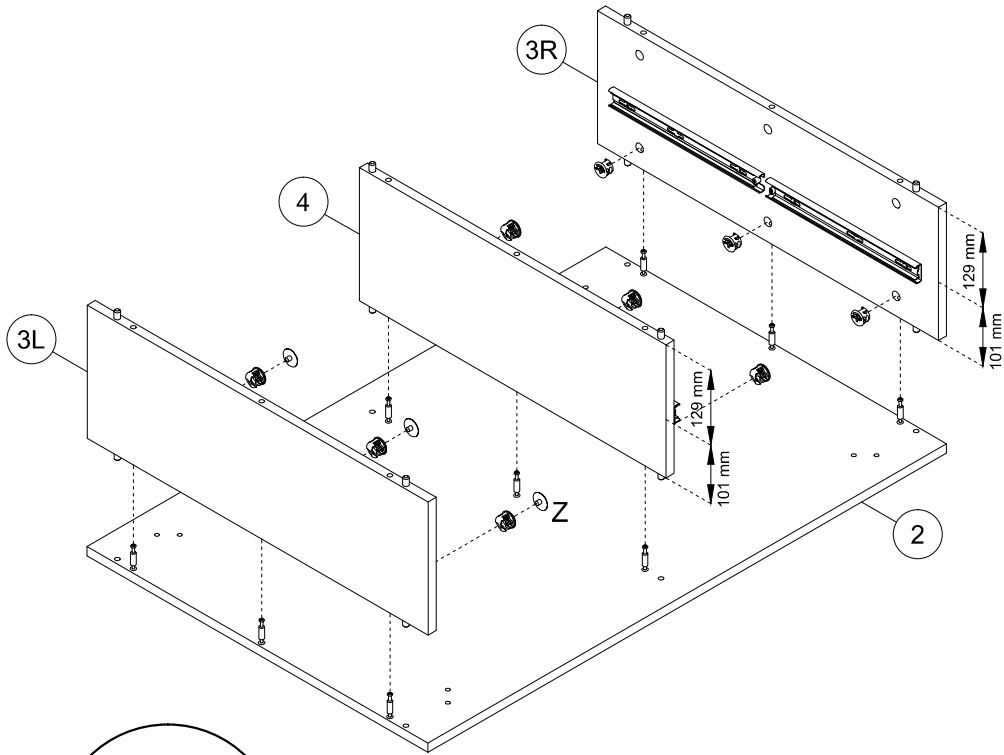
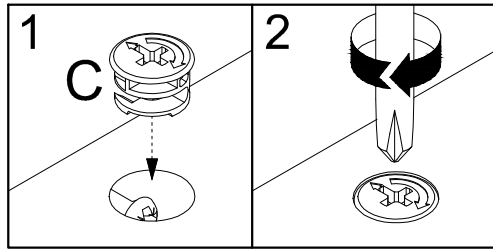
| | | | | | |
|---|------|----|--------|-----|-------|
| A | 8x32 | ND | 3,5x16 | PPW | 300mm |
| | x12 | | x8 | | x4 |



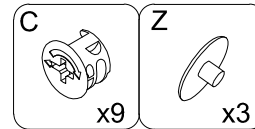
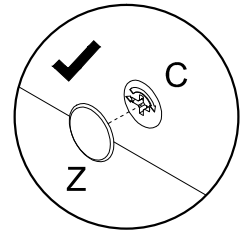
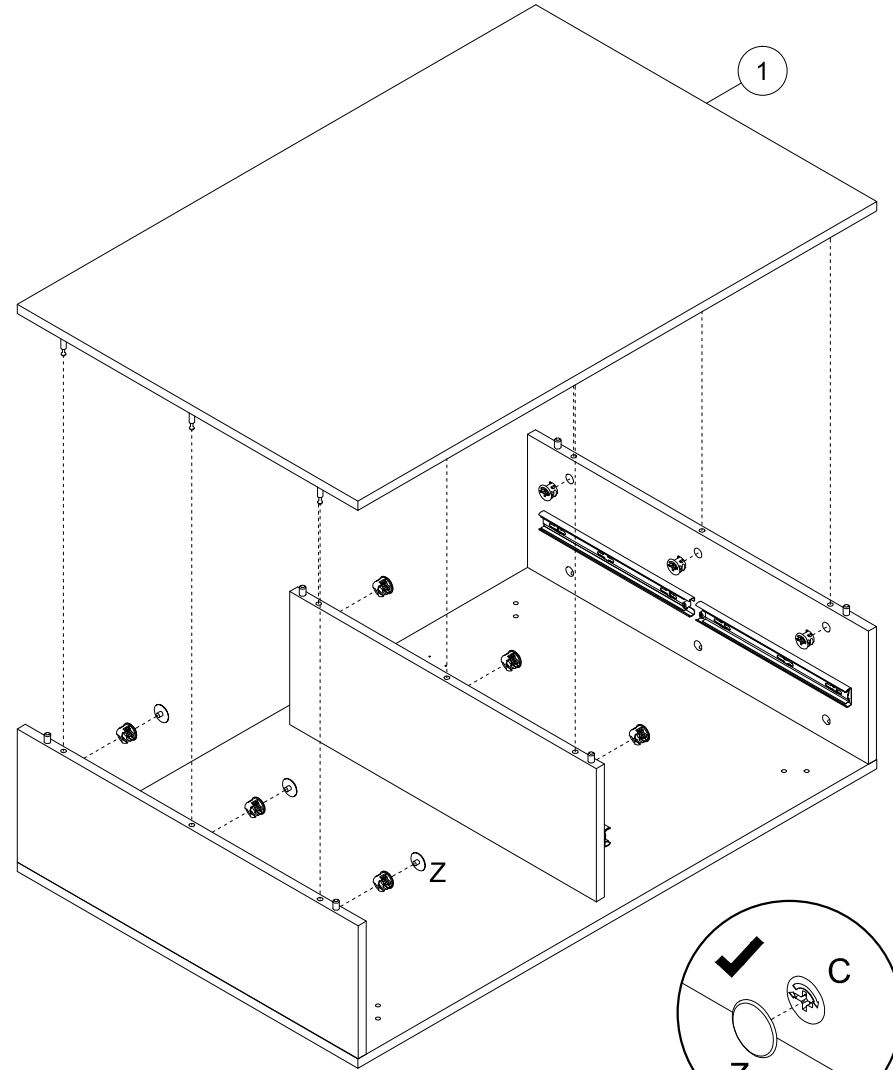
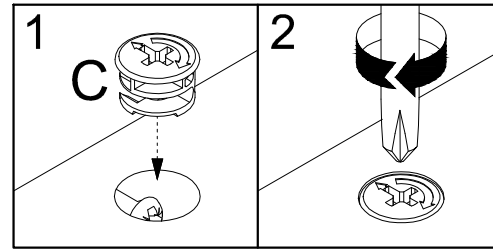
| | | | |
|----|--|--|-----|
| NS | | | 1:1 |
|----|--|--|-----|

| | | | |
|-----|----|----|--------|
| B | KG | NS | 3,5x13 |
| | | | x4 |
| x18 | x2 | | |

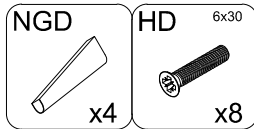
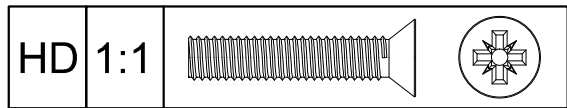
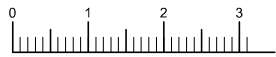
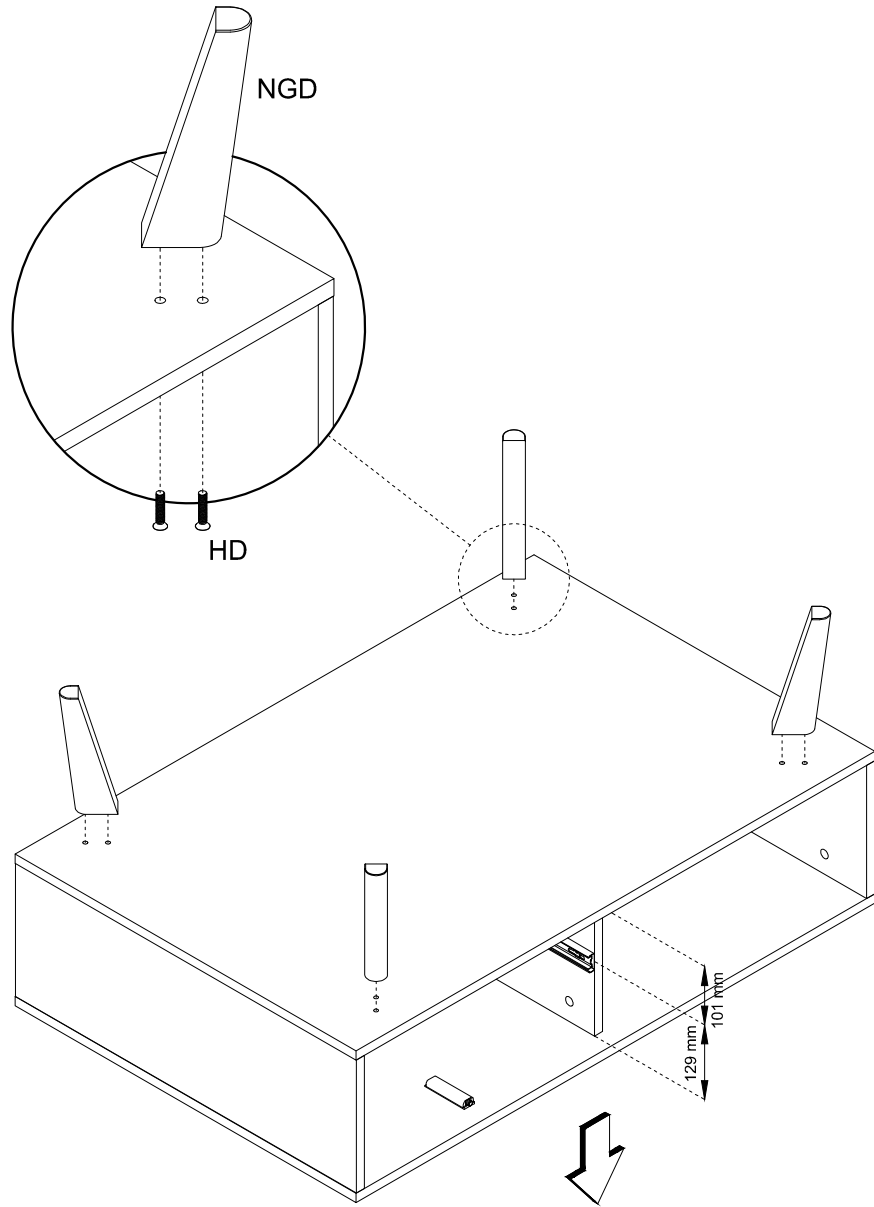
9



10



11



12

