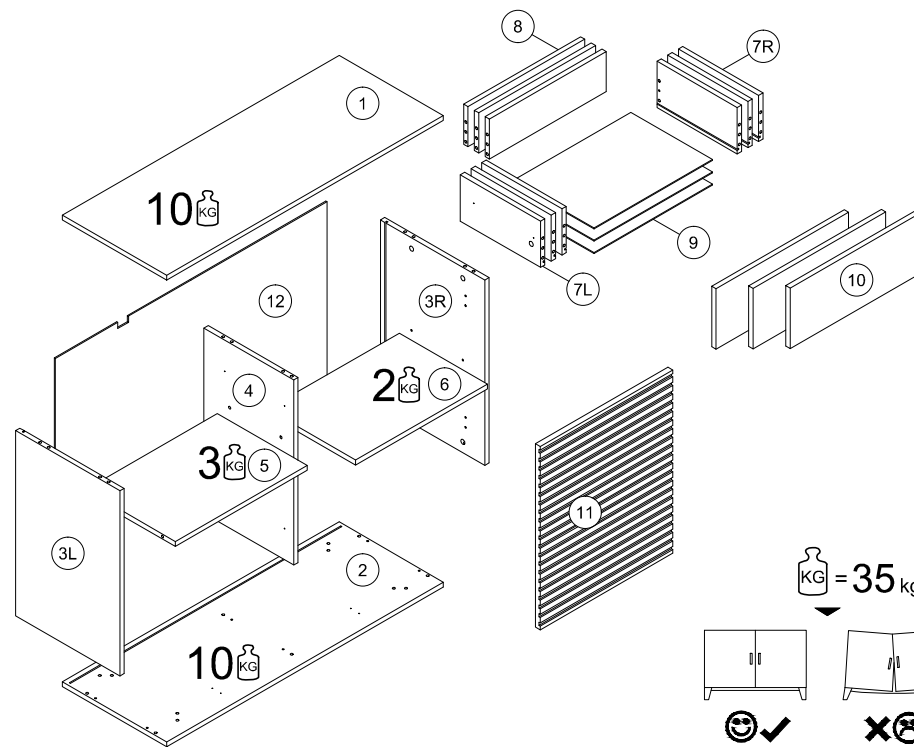
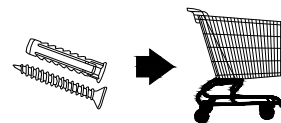
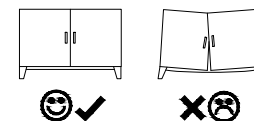


1,5H

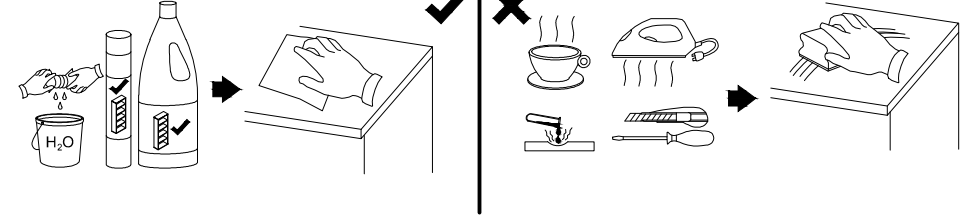
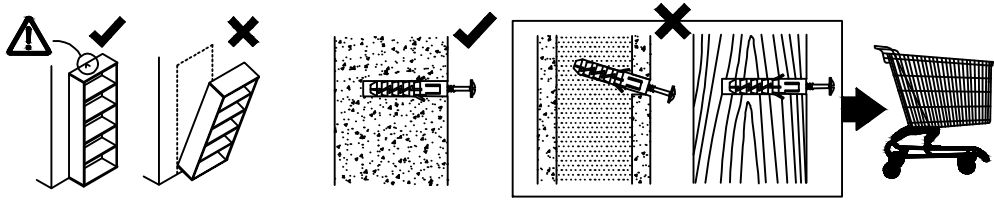
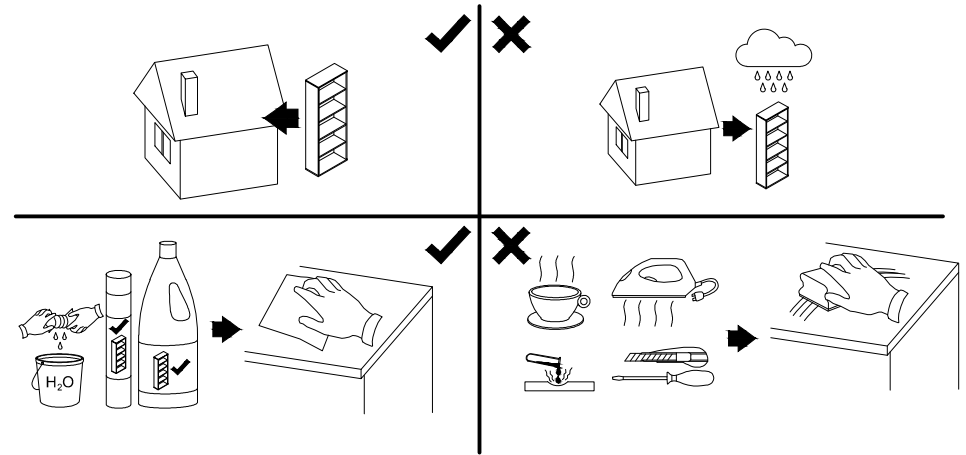
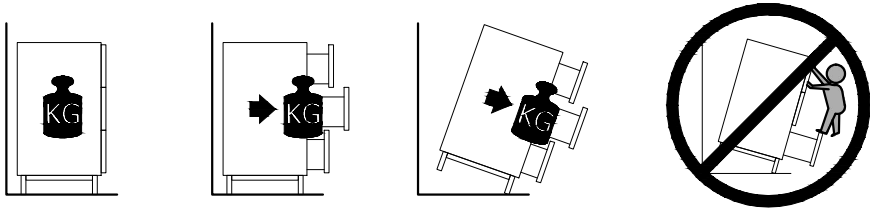


KG = 35 kg.

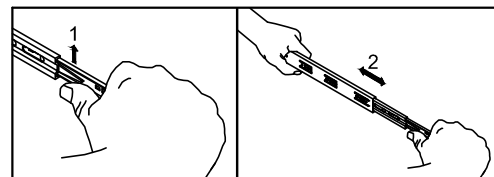
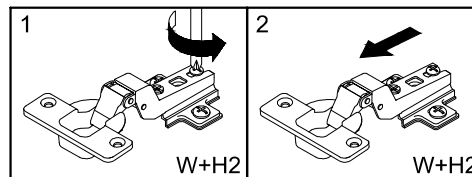
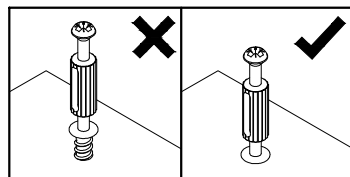
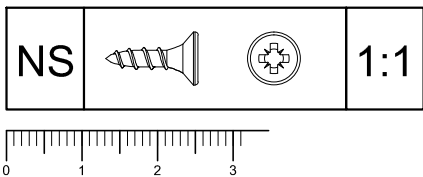


A	8x32	B	x24	C	x24	HD	6x30	KG	x4
N	3x20	ND	3,5x16	NGD	x4	NS	3,5x13	PPW	300
TA	x1	W+H2	x2	X	x12	Z	x14	ZZ	x4

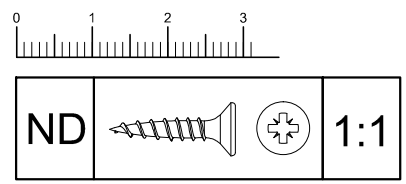
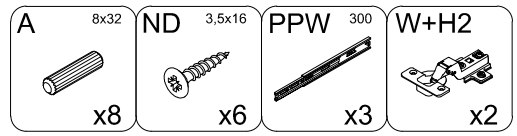
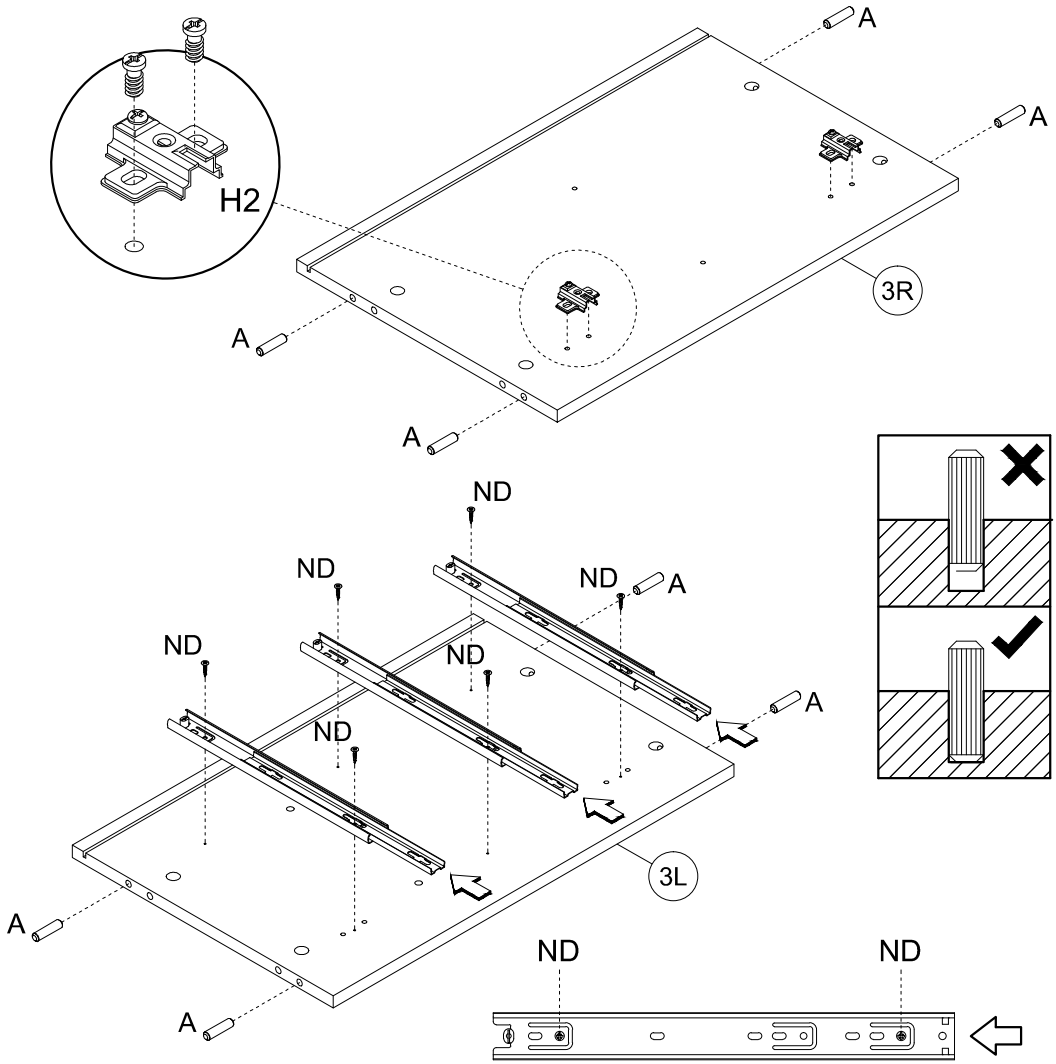
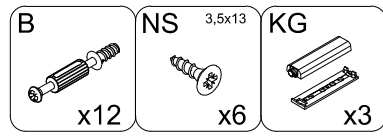
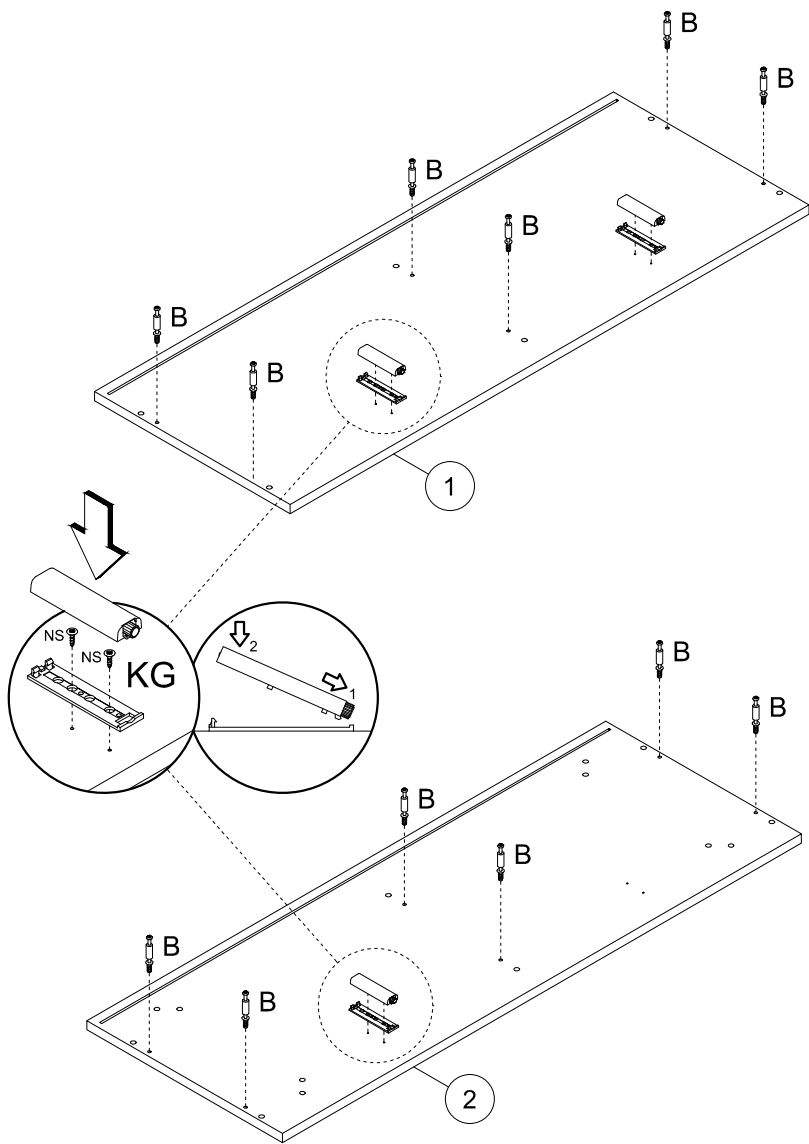
1	1035	390	16	x1	1 / 1
2	1035	390	16	x1	1 / 1
3L	600	390	16	x2	1 / 1
3R	600	390	16	x2	1 / 1
4	600	341	16	x1	1 / 1
5	493	341	16	x1	1 / 1
6	493	330	16	x1	1 / 1
7L	300	150	16	x3	1 / 1
7R	300	150	16	x3	1 / 1
8	437	130	16	x3	1 / 1
9	305	449	2.5	x3	1 / 1
10	496	196	16	x3	1 / 1
11	594	496	16	x1	1 / 1
12	1014	612	2.5	x1	1 / 1




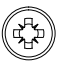
1

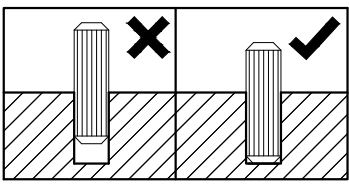
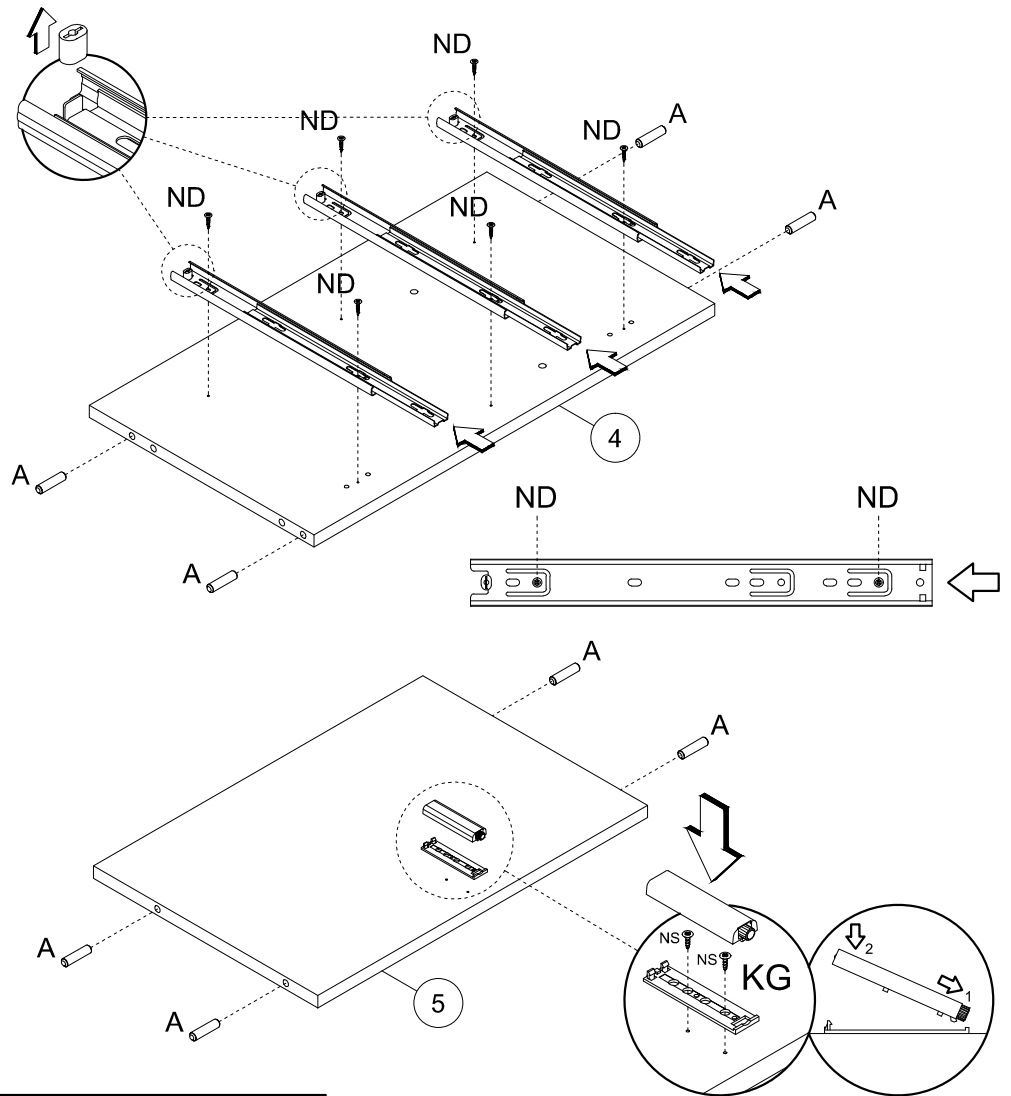
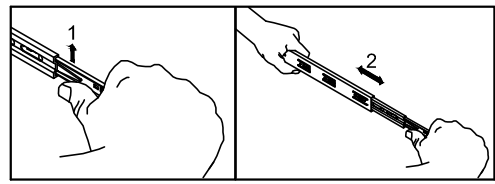
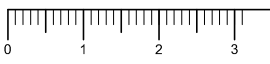


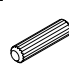




2



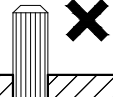
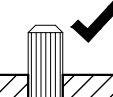
3

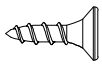

NS			1:1
----	--	--	-----

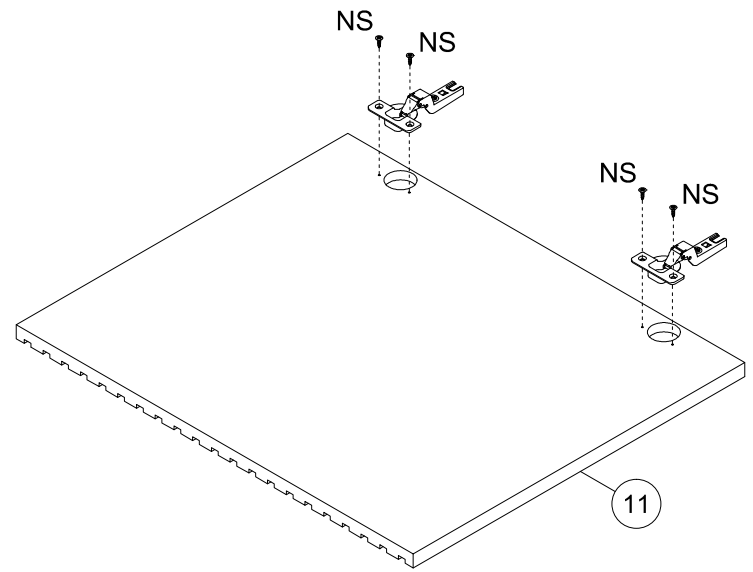
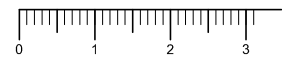




A	8x32	KG	ND	3,5x16	NS	3,5x13	PPW	300	
	x8		x1		x6		x2		x3

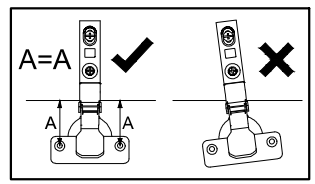
4

	
--	--

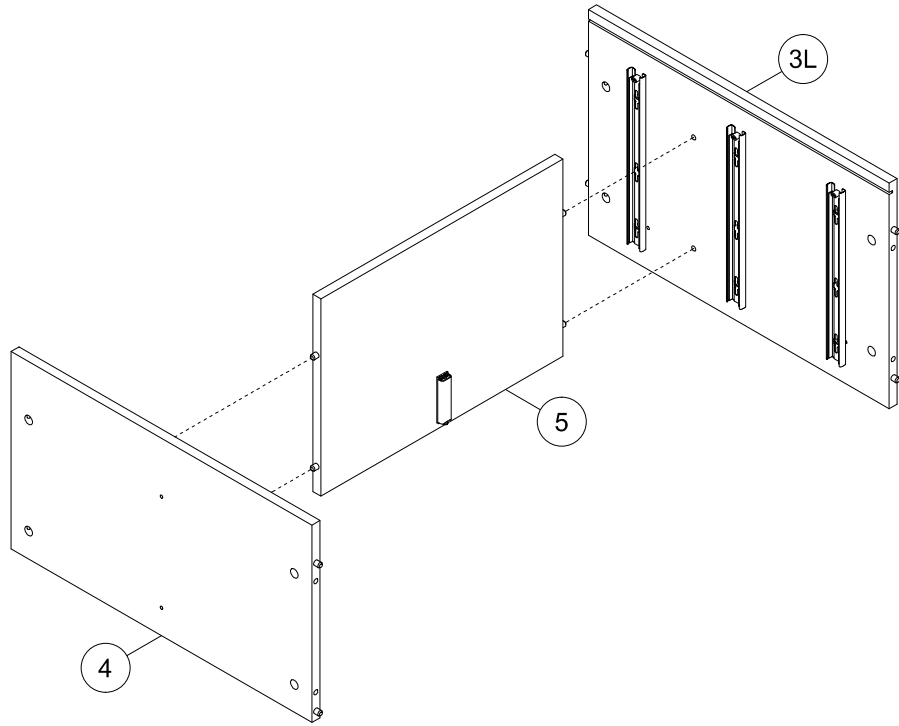
NS			1:1
----	--	--	-----



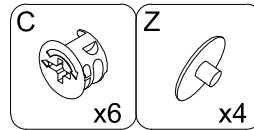
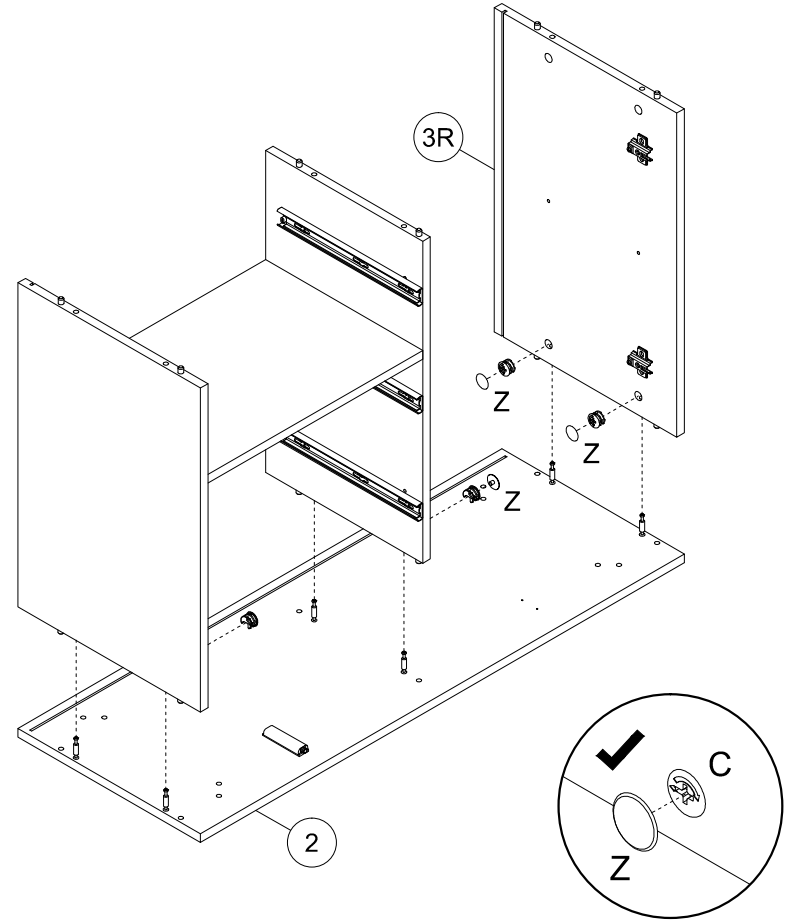
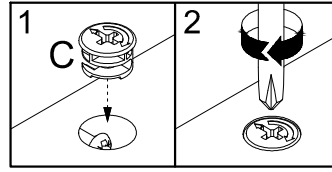
W+H2	NS	3,5x13	
	x2		x4



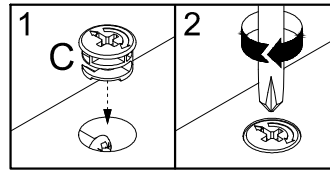
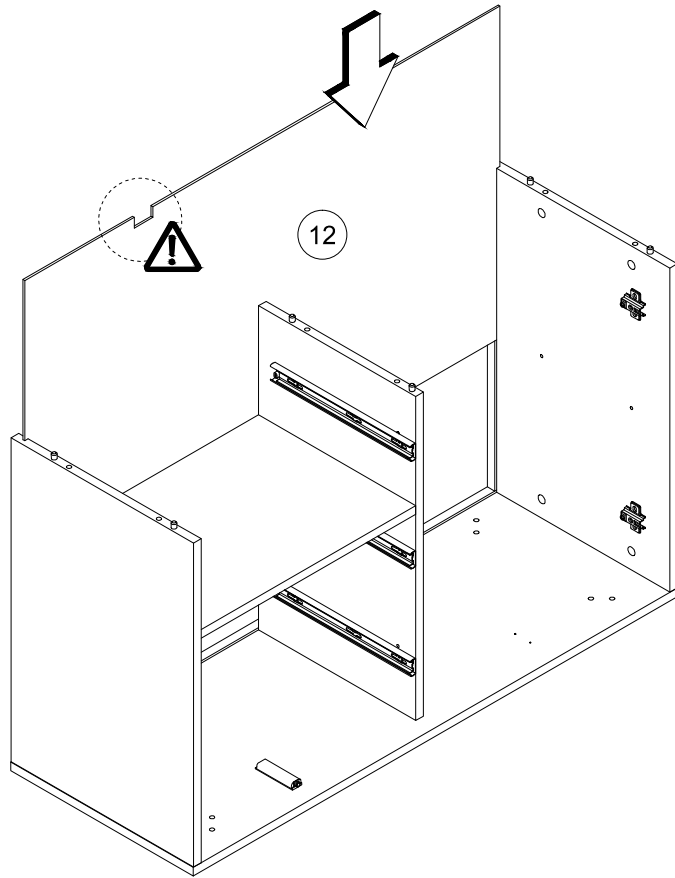
5



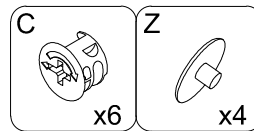
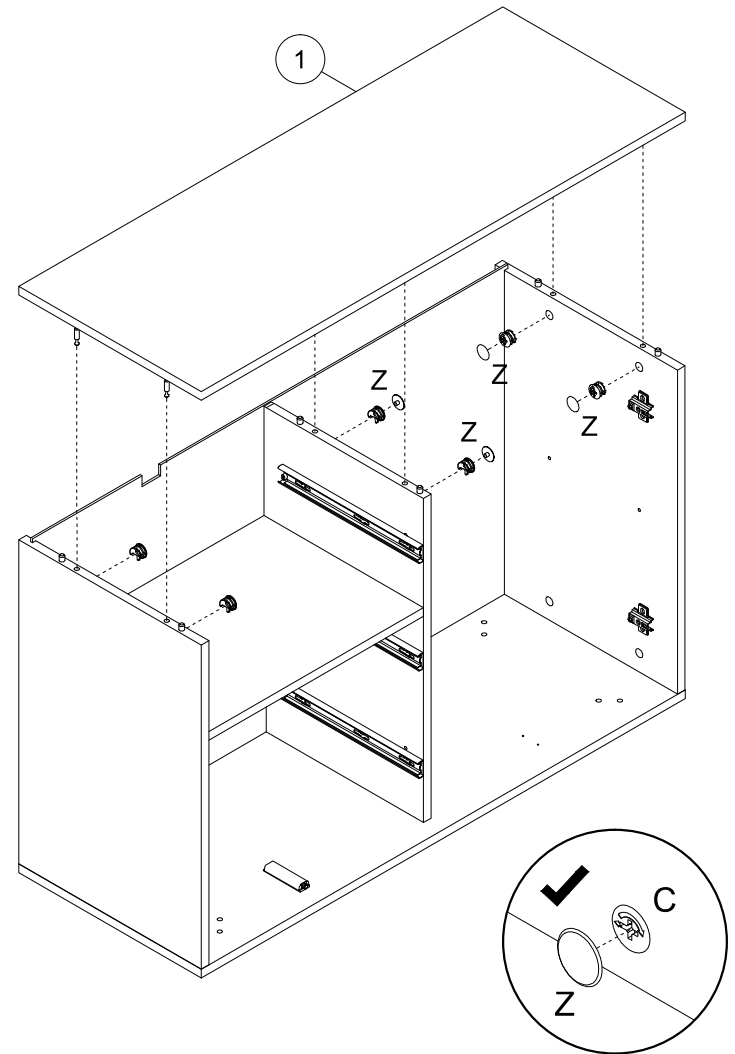
6



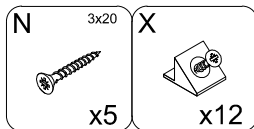
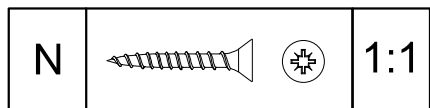
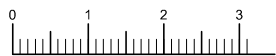
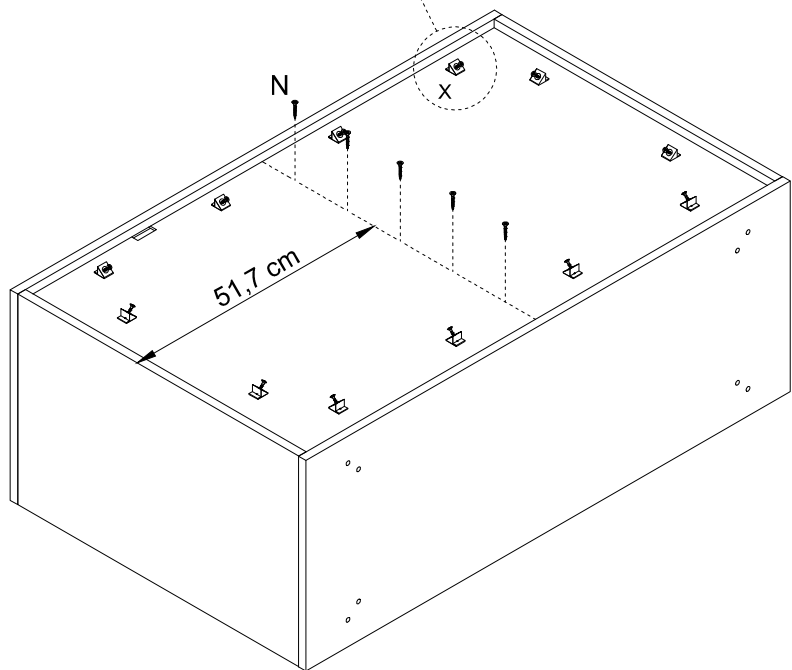
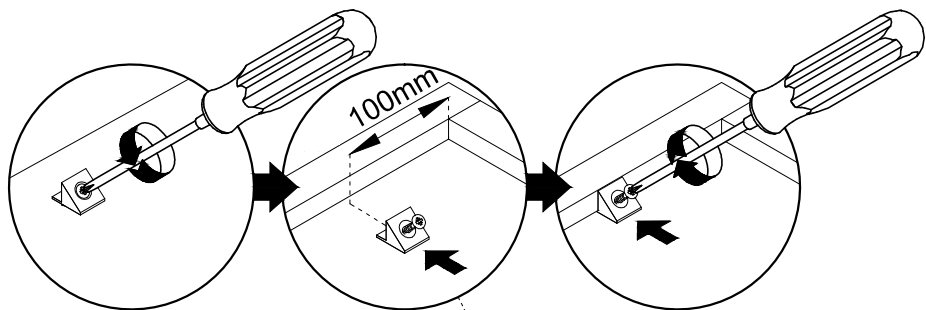
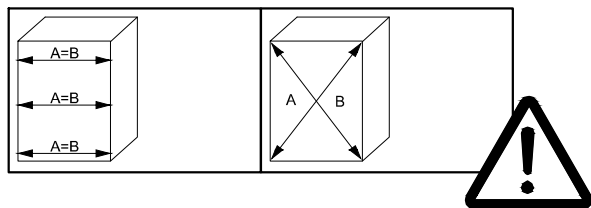
7



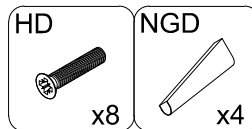
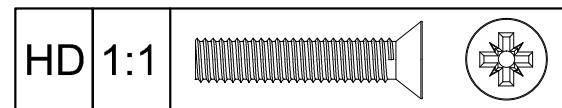
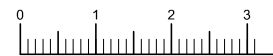
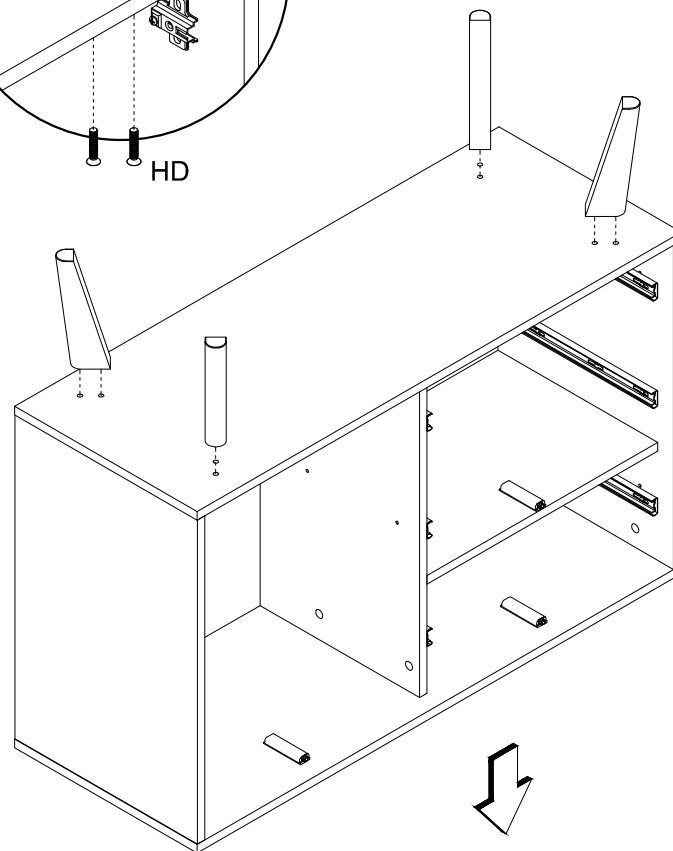
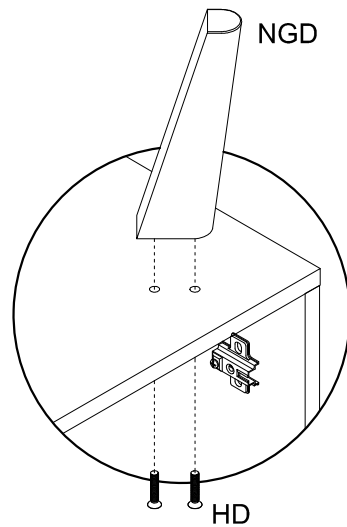
8



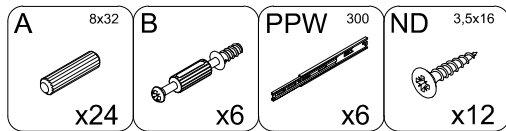
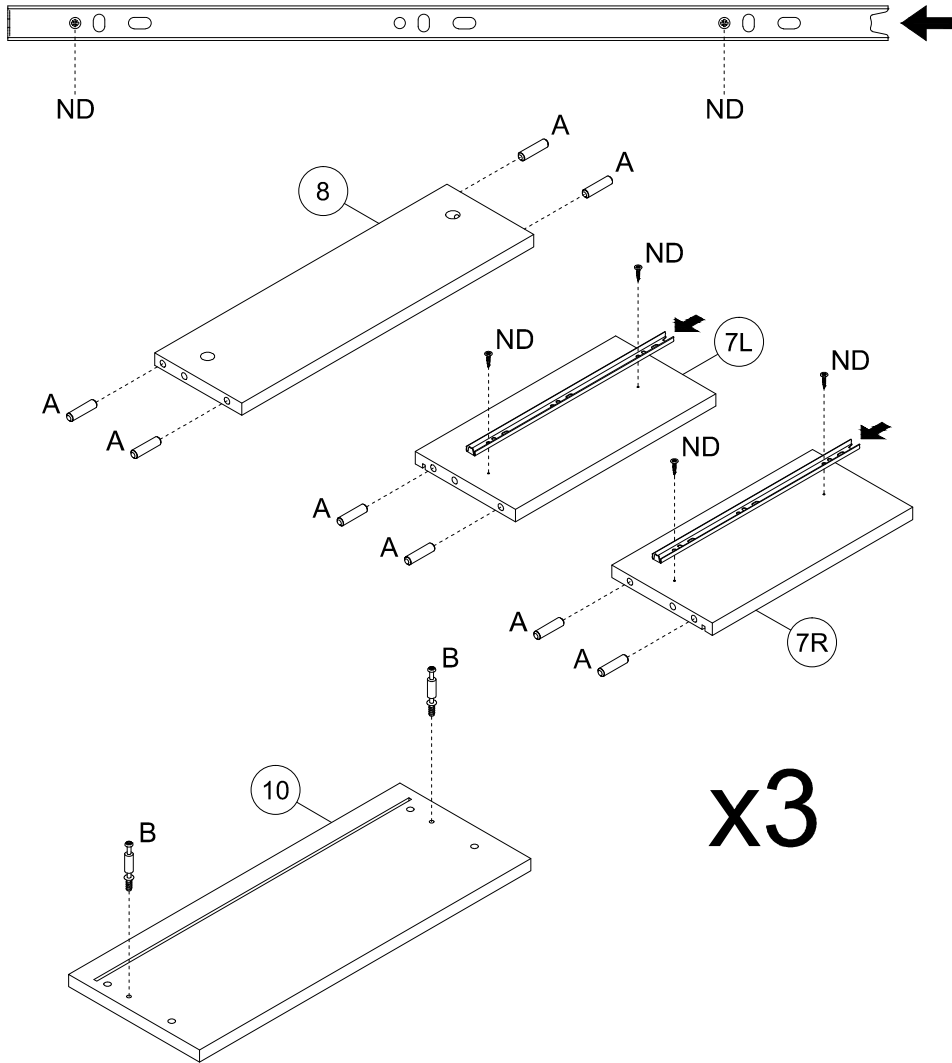
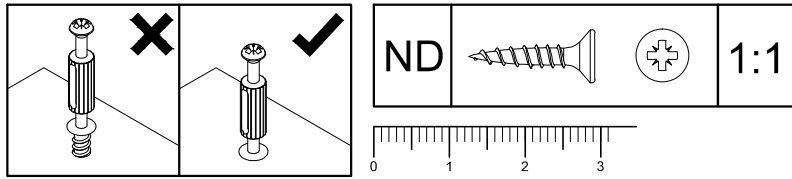
9



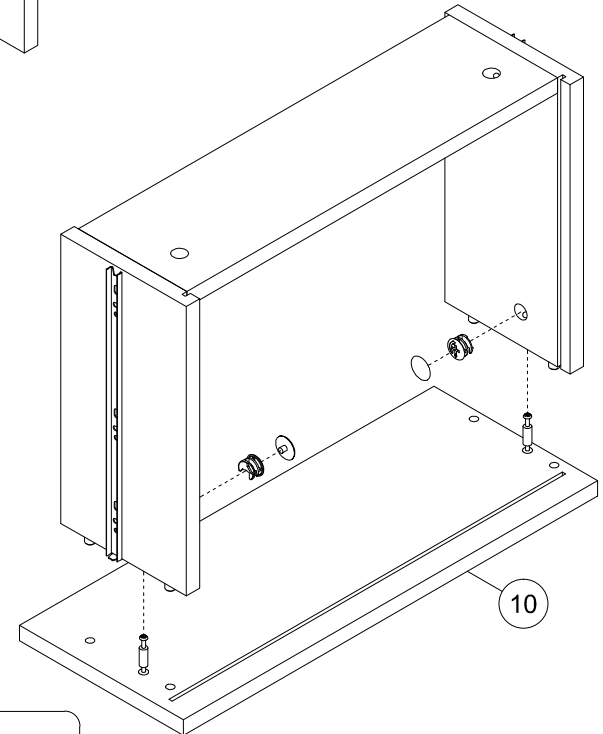
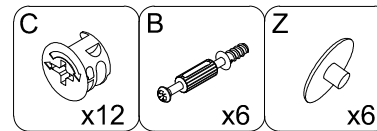
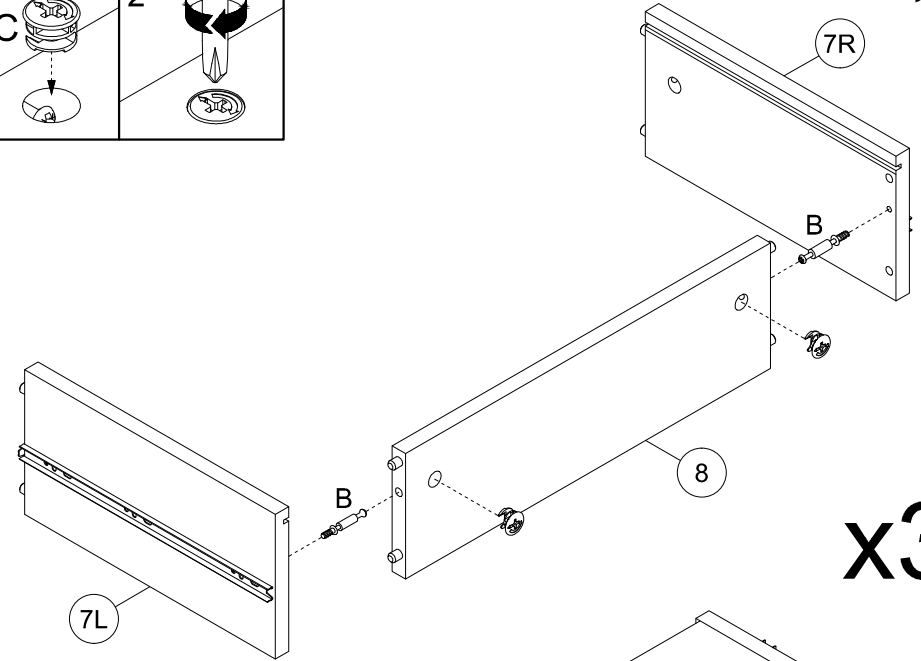
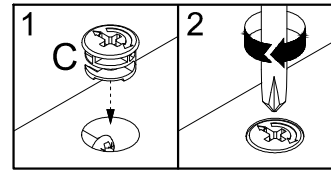
10



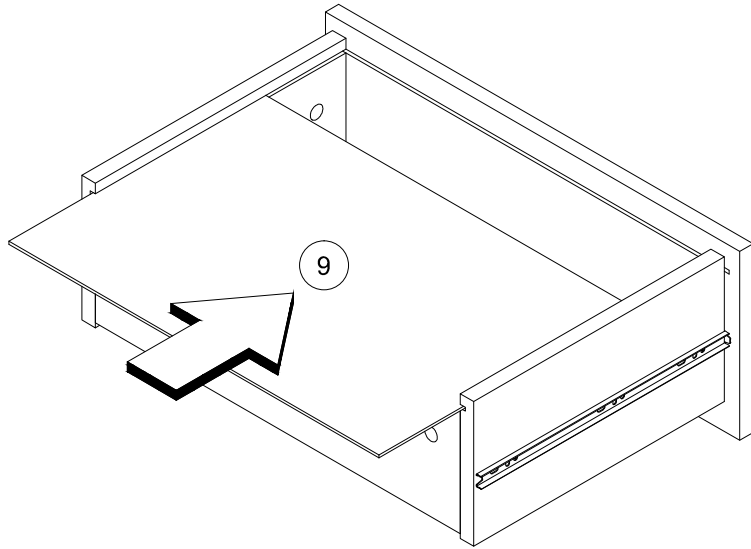
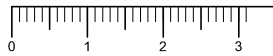
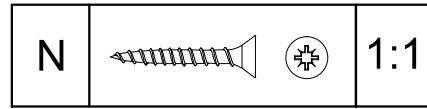
11



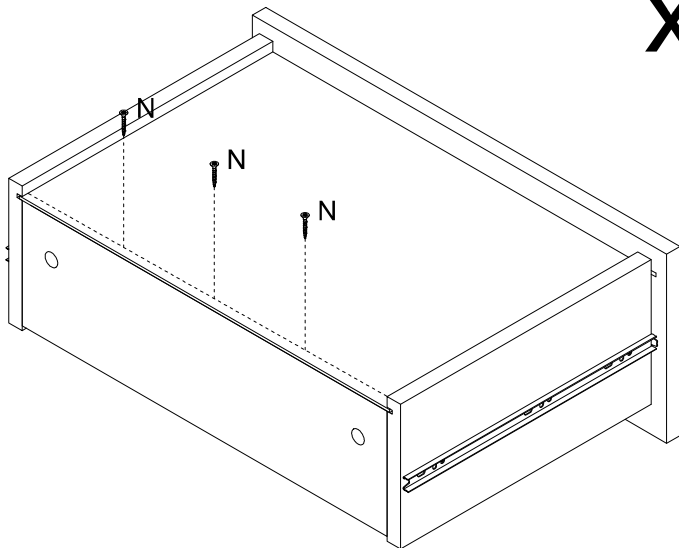
12



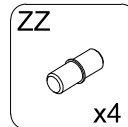
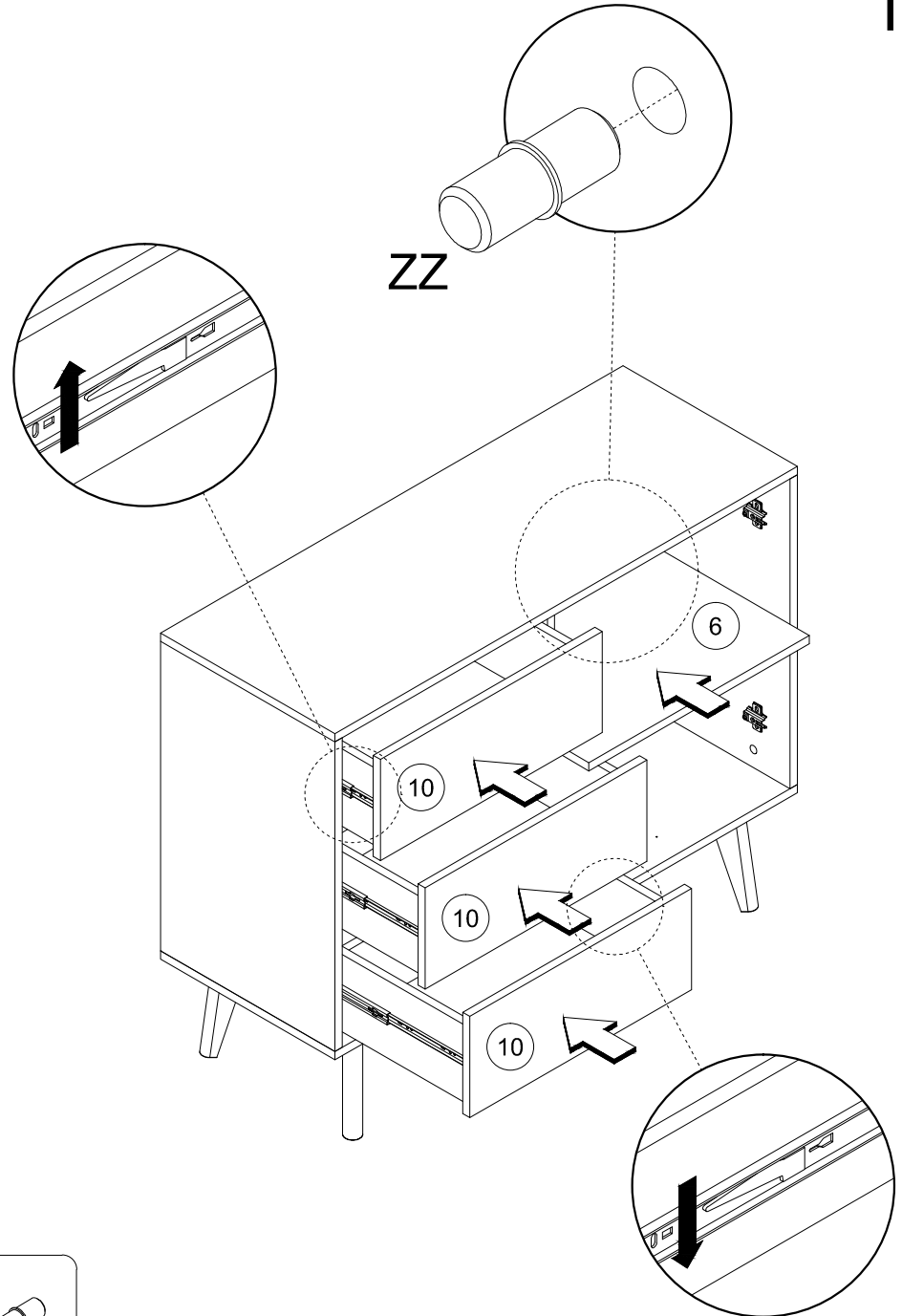
13

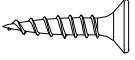



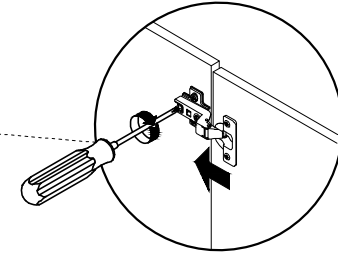
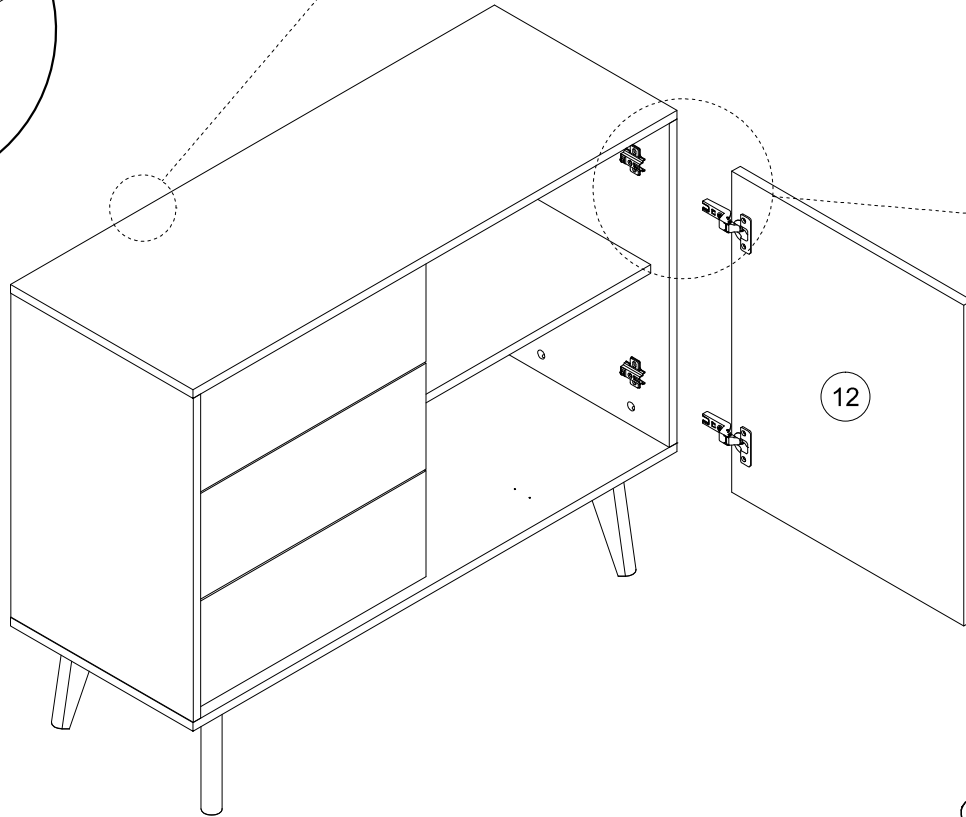
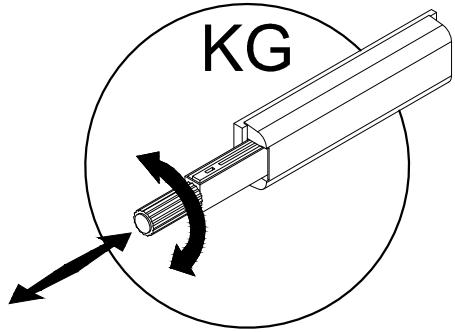
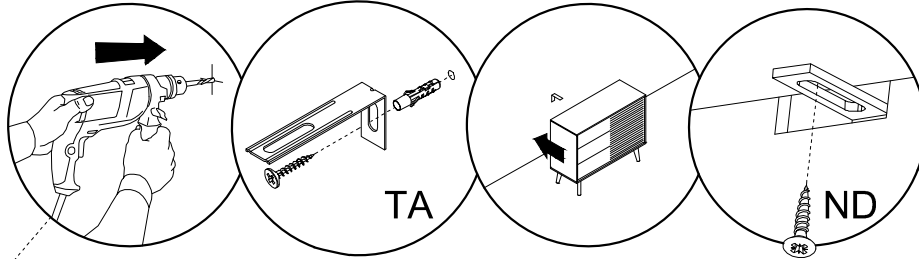
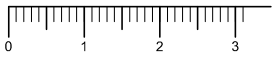
x3





14



ND			1:1
----	--	--	-----



ND	3,5x16	TA
		
x1		x1

