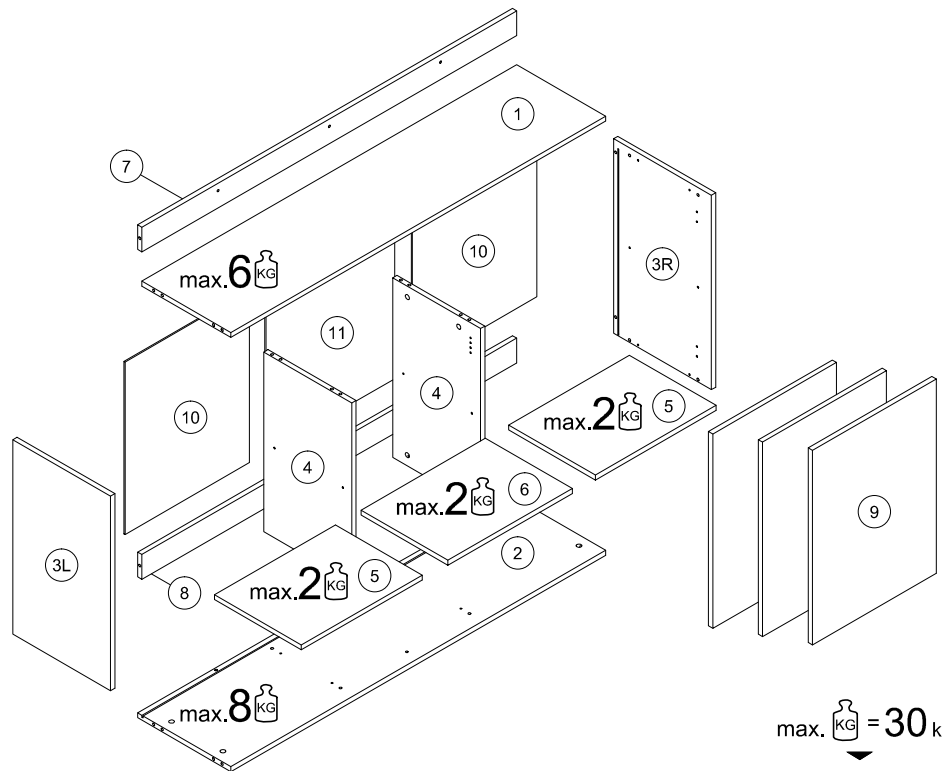
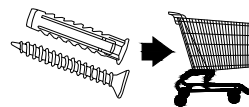


ca.2 H

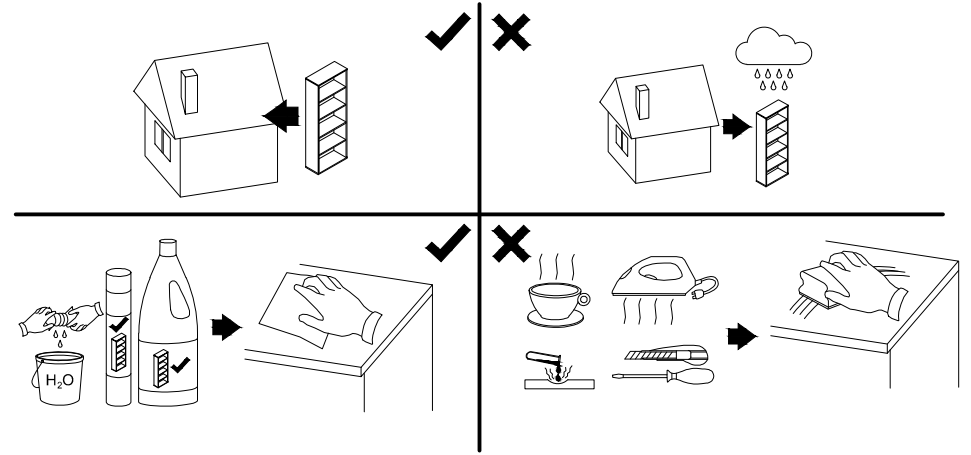
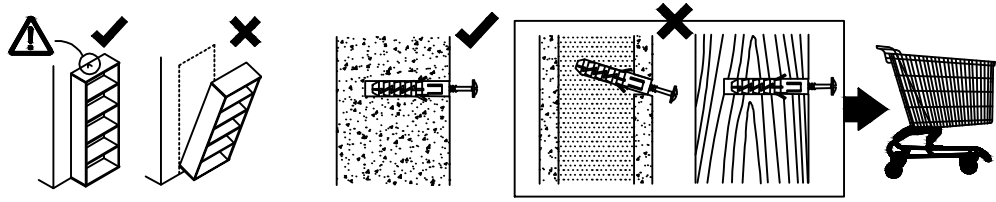
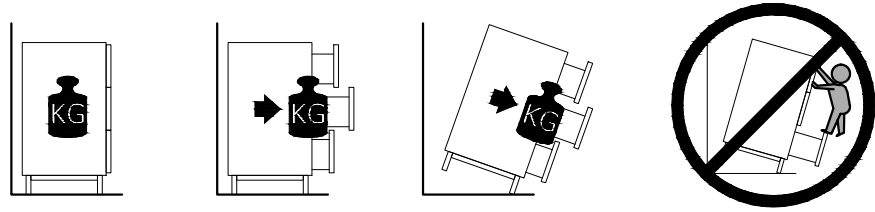


max. <sup>KG</sup> = 30 kg.

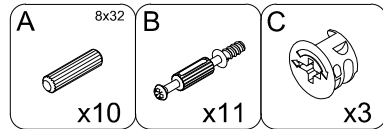
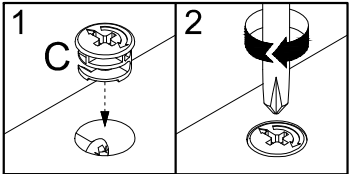
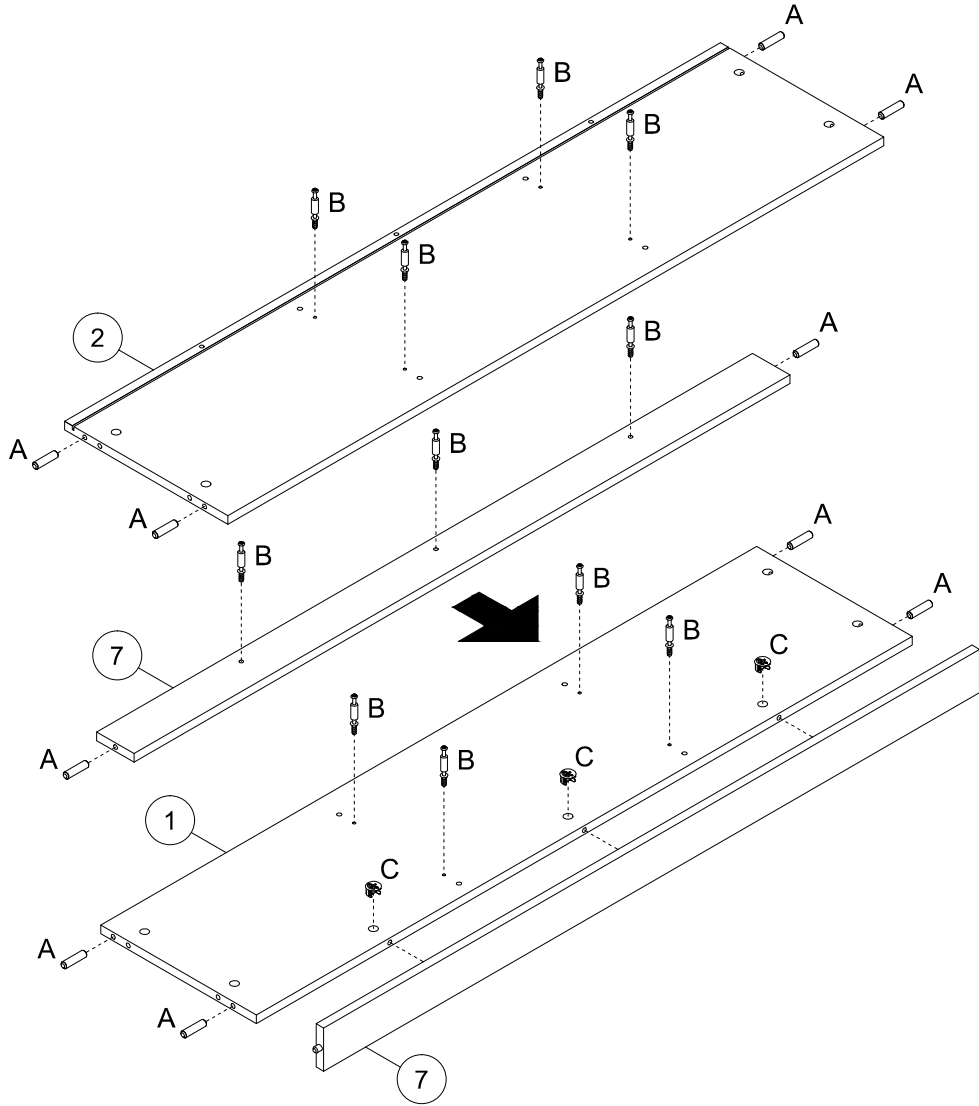
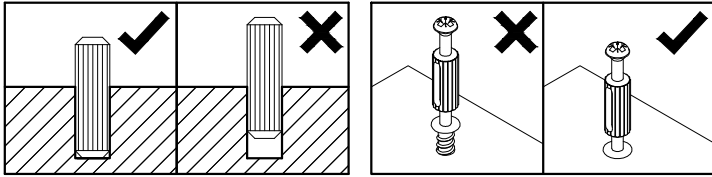


A	8x32	B	3,5x16	C	3x20
	x20		x19		x19
NE	4x16	ND	3,5x16	W+H2	ST
	x12		x18		x6
X1	X	Z	ZC	ZZ	W
	x6		x4		x12
					x8
					x12
					x3

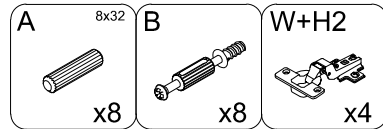
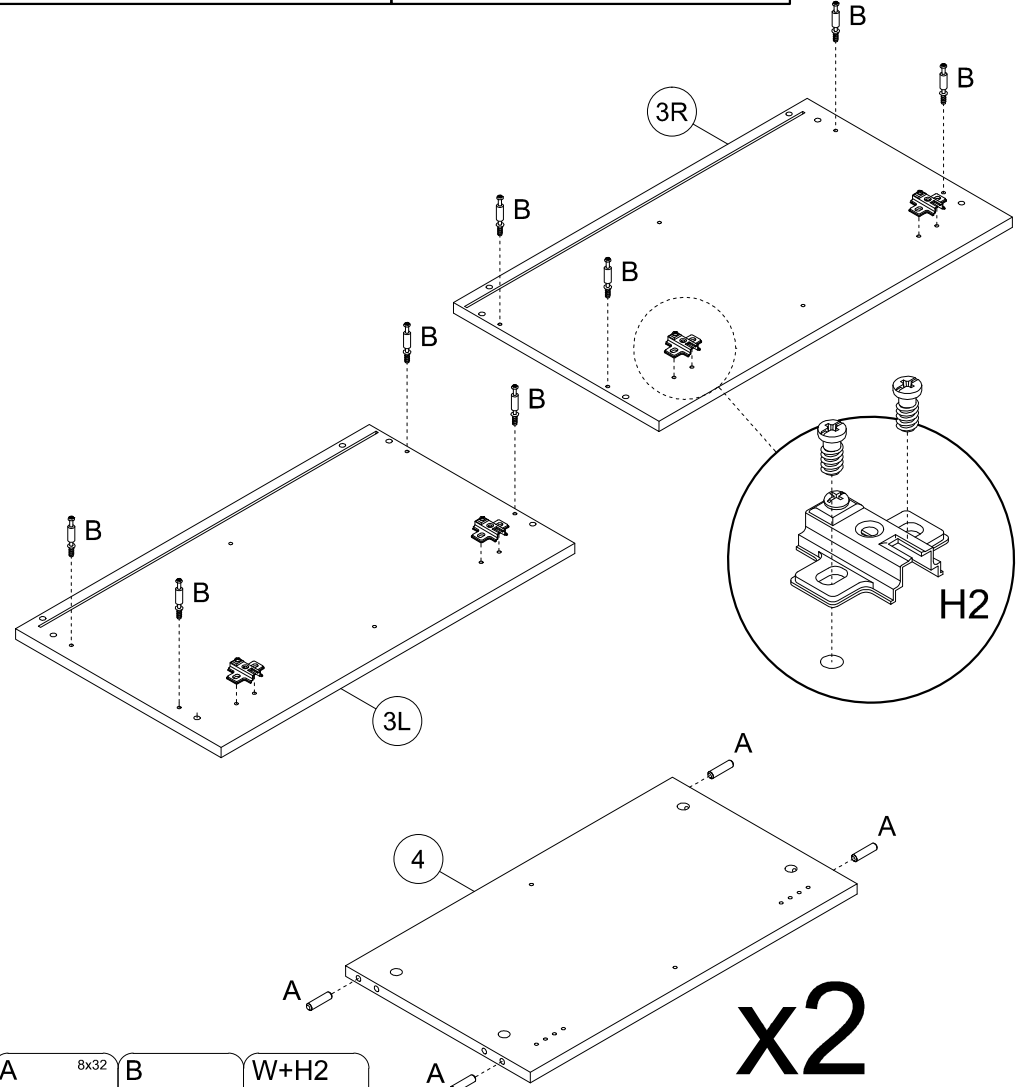
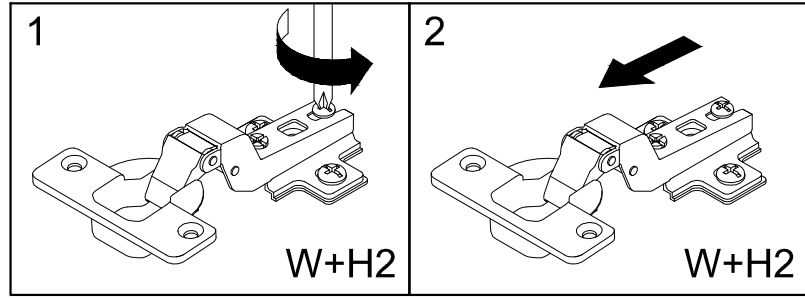
1	1402	333	16	x1	2 / 3
2	1402	349	16	x1	2 / 3
3L	630	366	16	x1	3 / 3
3R	630	366	16	x1	3 / 3
4	582	329	16	x2	2 / 3
5	452	325	16	x2	2 / 3
6	465	325	16	x1	2 / 3
7	1402	80	16	x1	2 / 3
8	1402	80	16	x1	2 / 3
9	630	463	16	x3	3 / 3
10	465	563	2.5	x2	3 / 3
11	482	563	2.5	x1	3 / 3



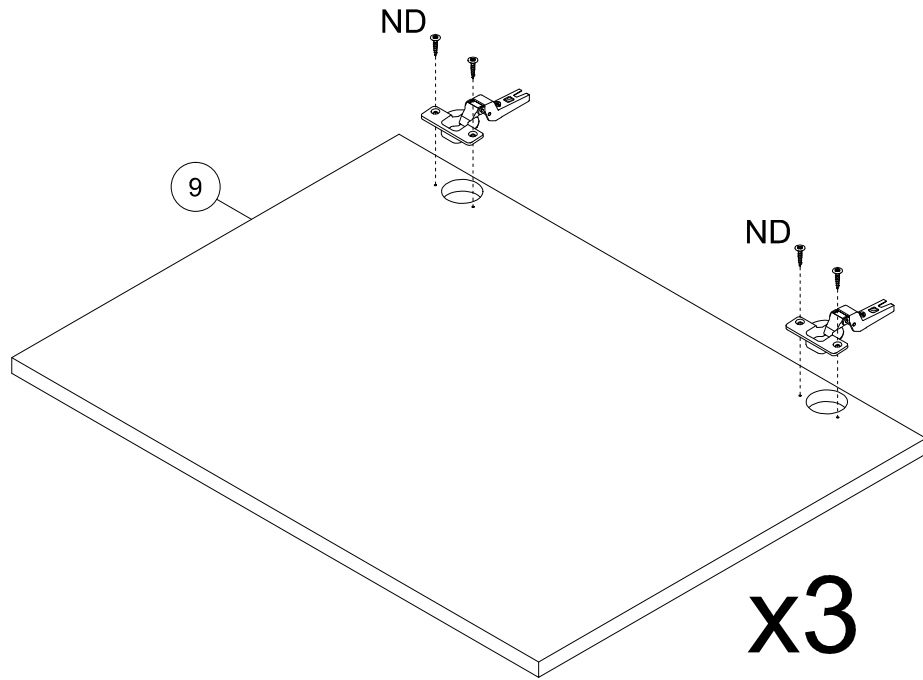
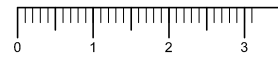
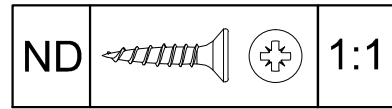
1



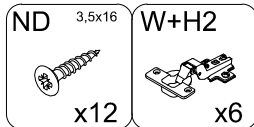
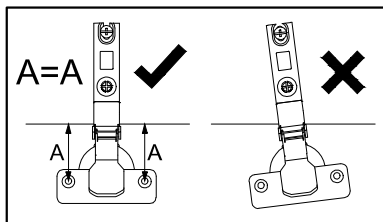
2



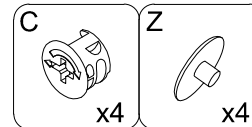
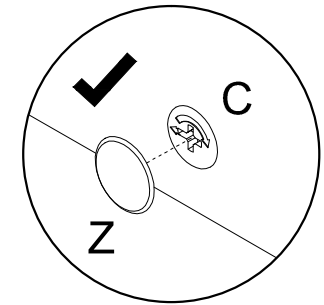
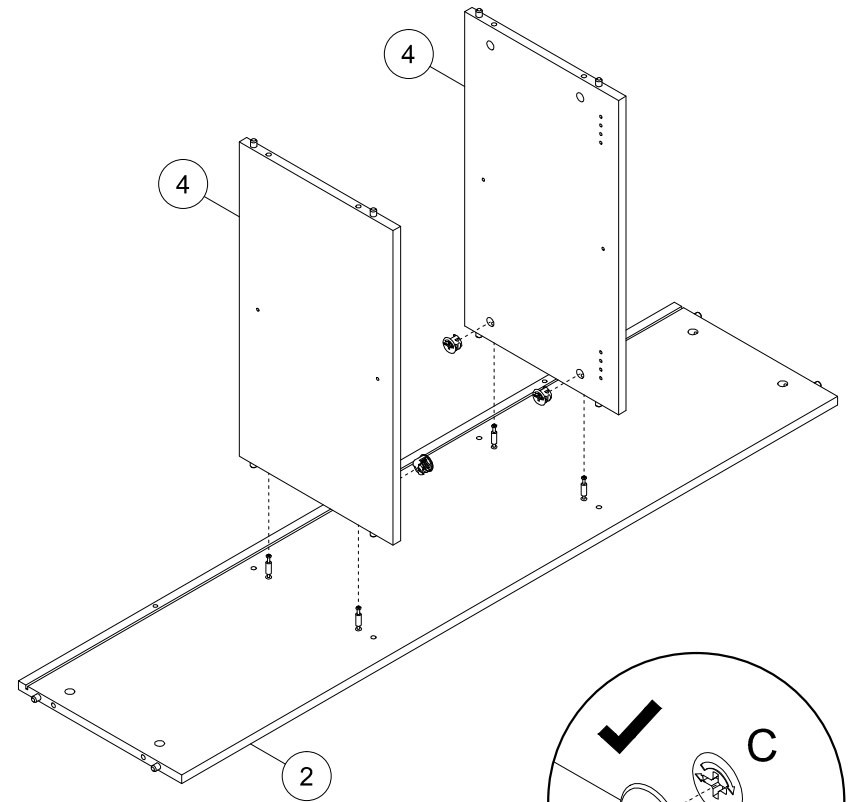
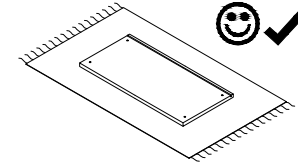
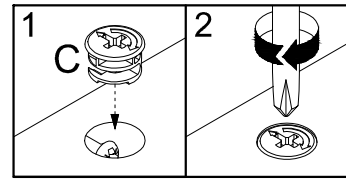
3



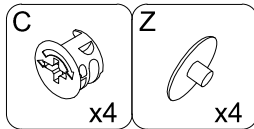
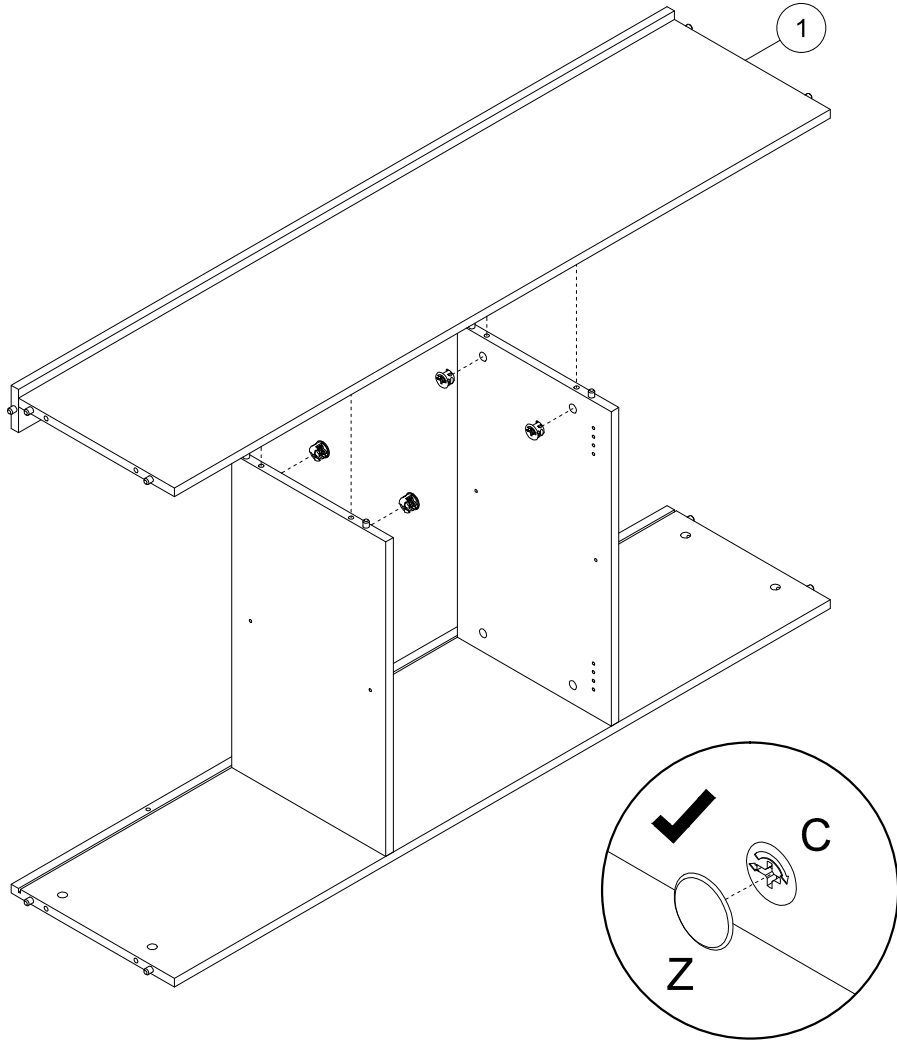
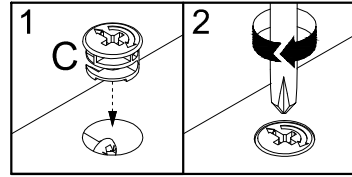
x3



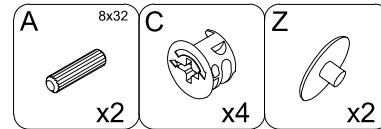
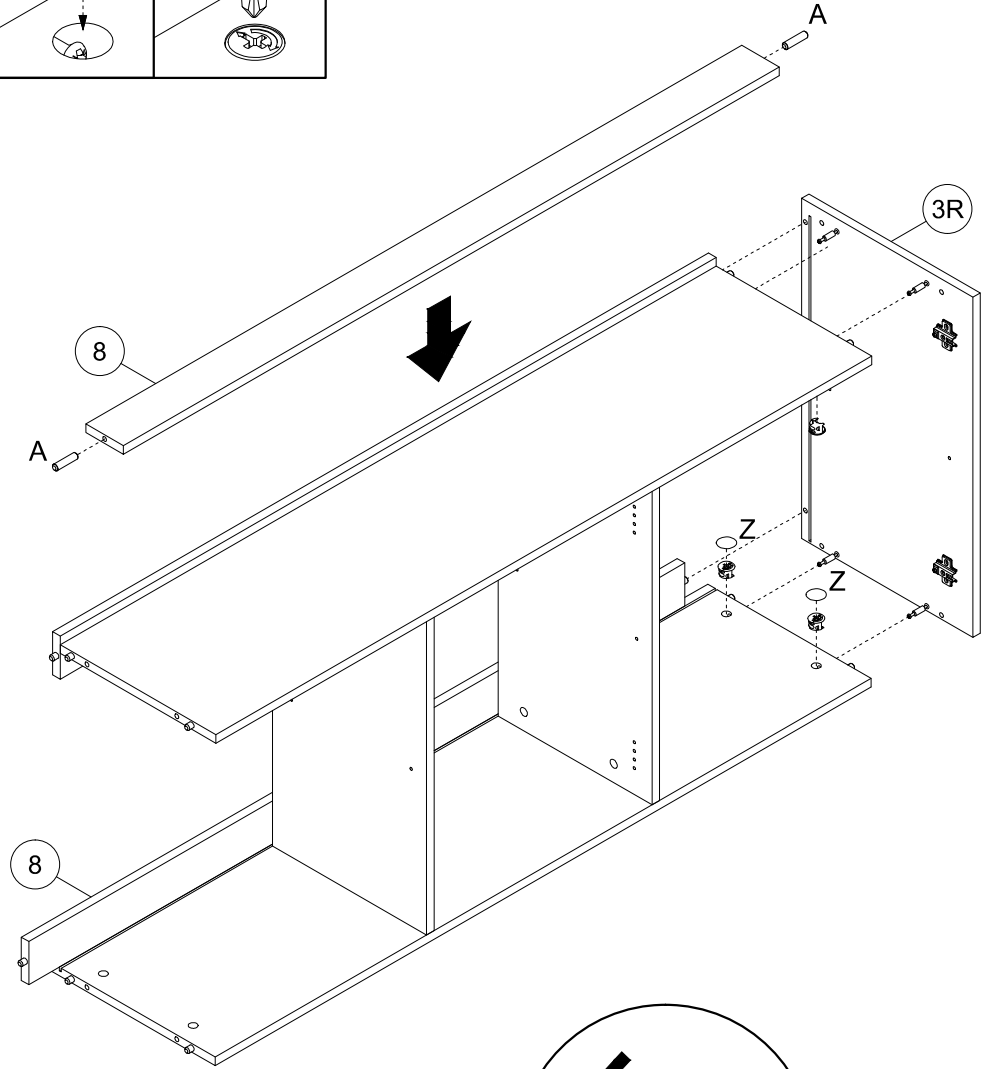
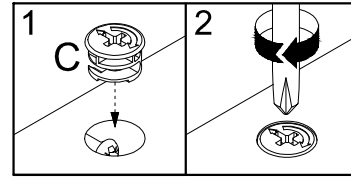
4



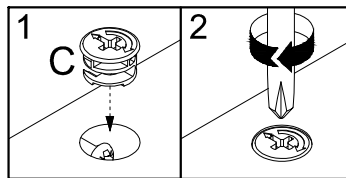
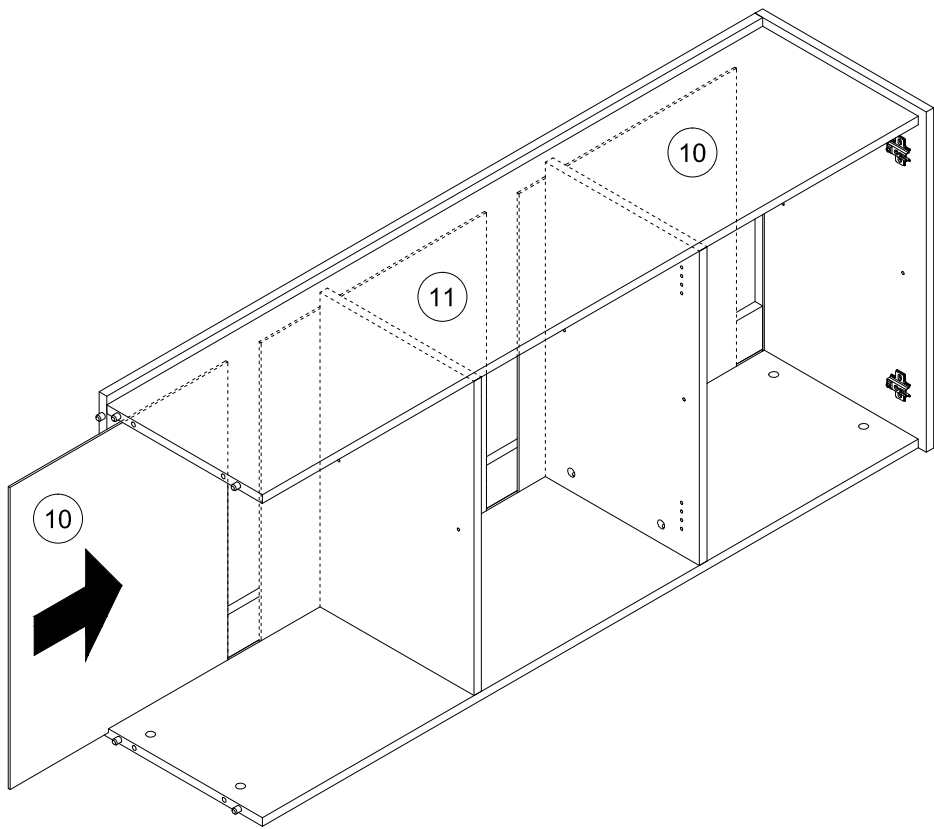
5



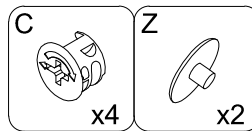
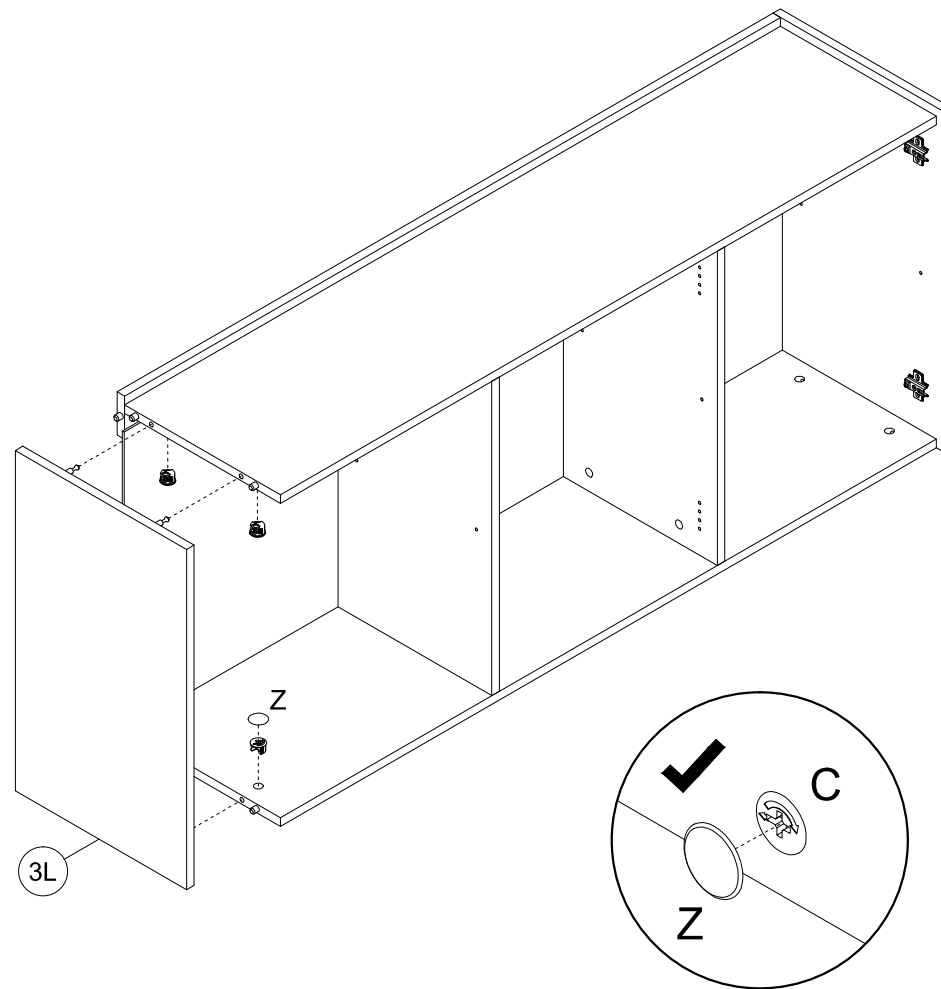
6



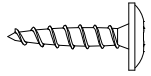

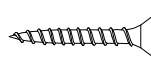
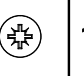
7

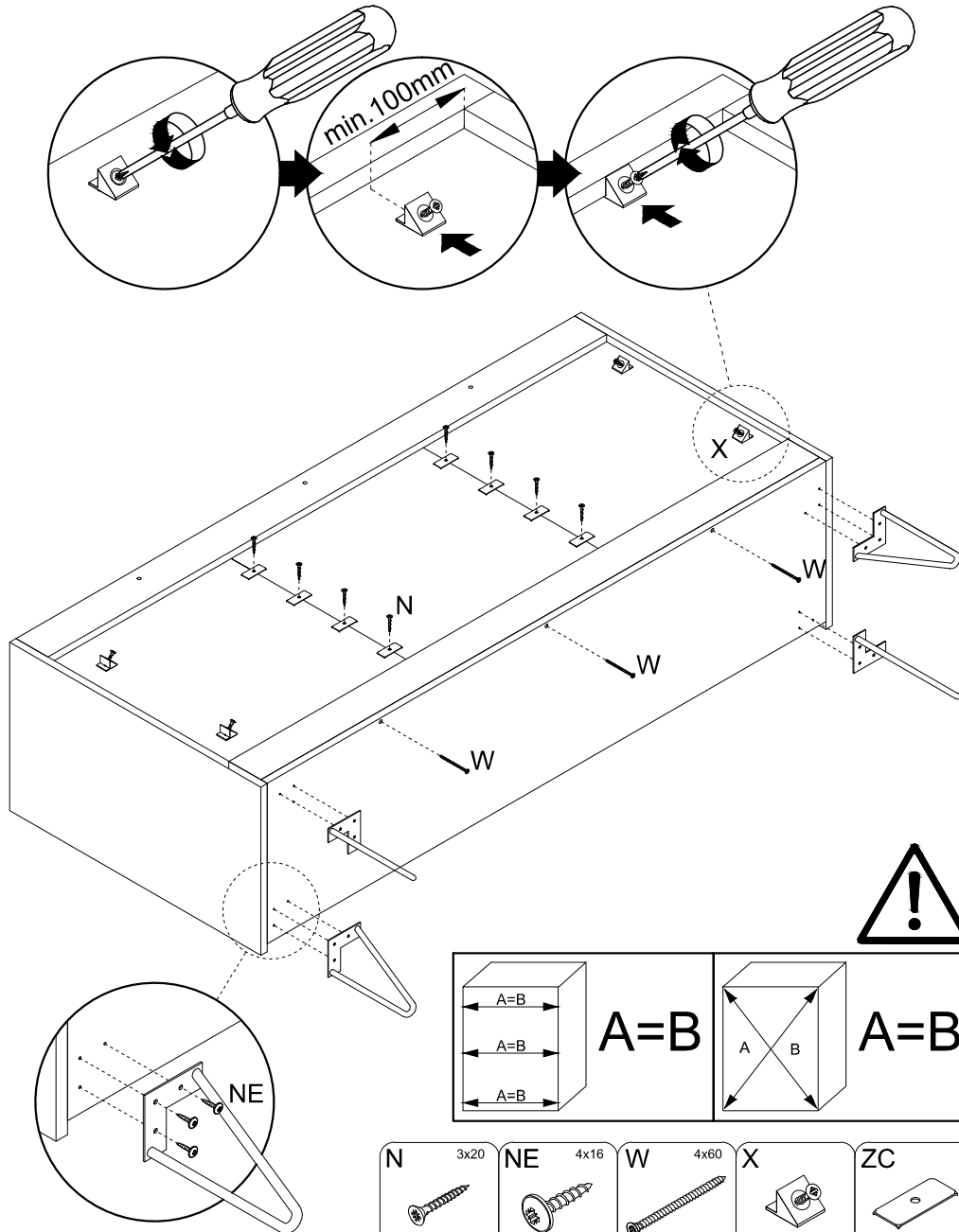


8

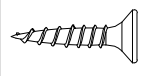
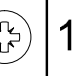


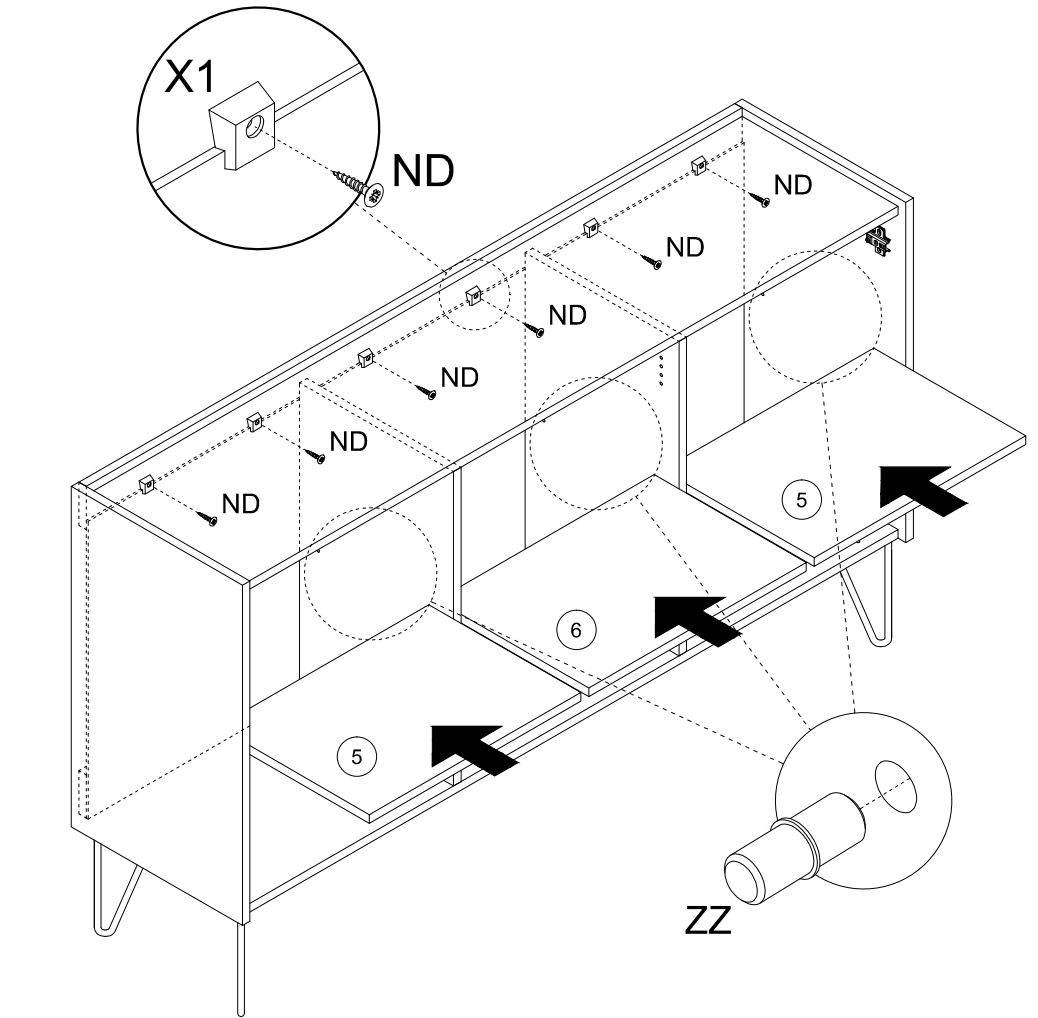
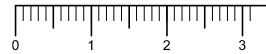
9


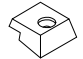

NE			1:1	N			1:1
----	--	--	-----	---	--	---	-----

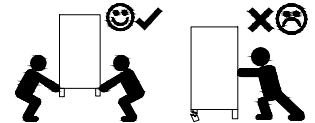


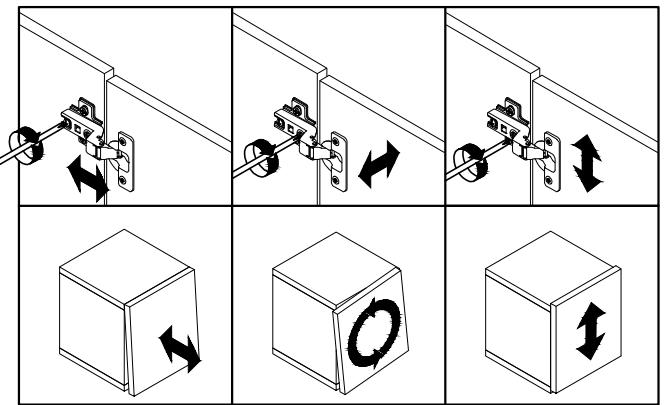
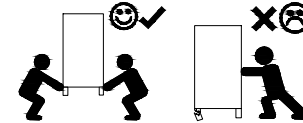
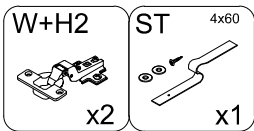
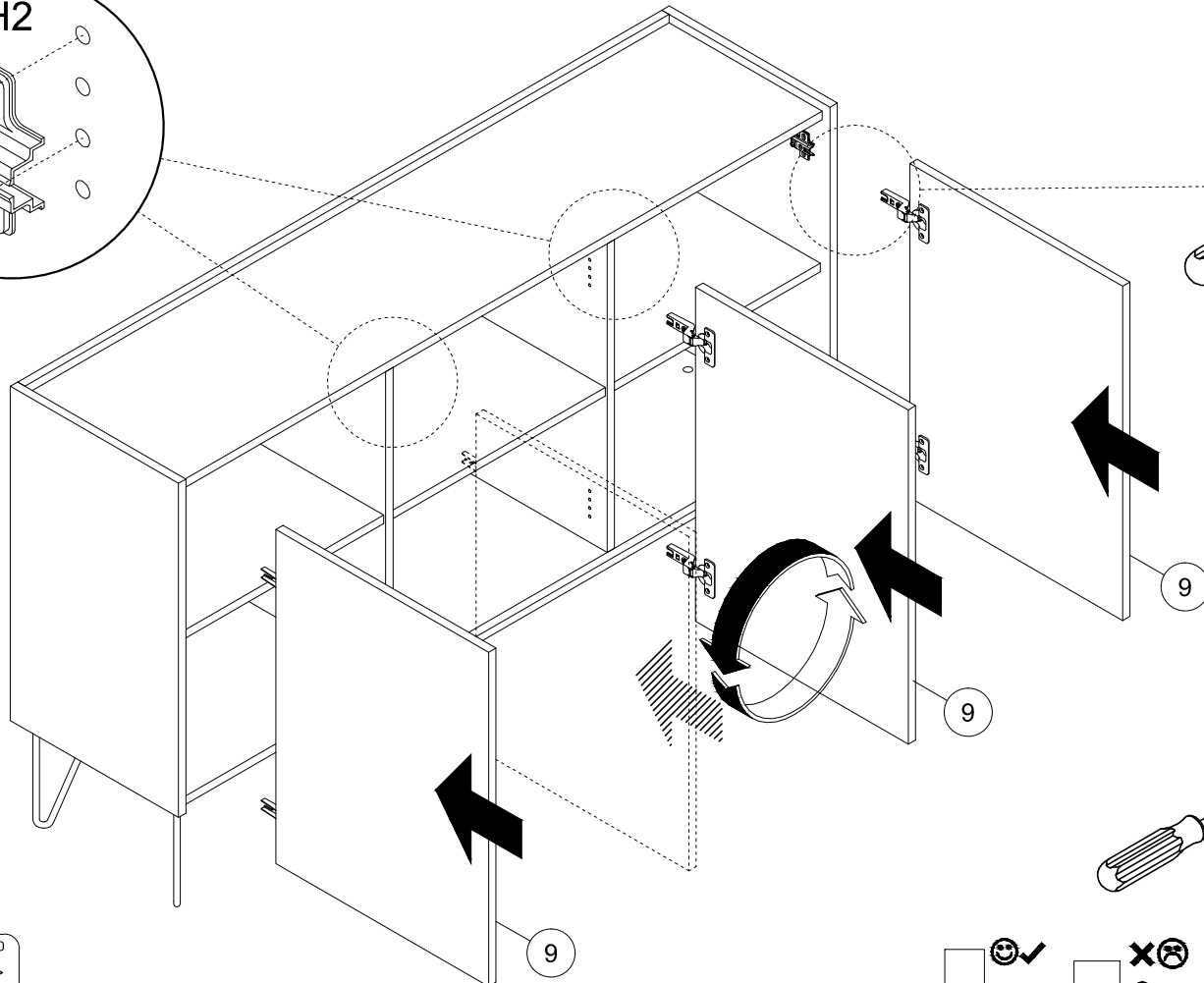
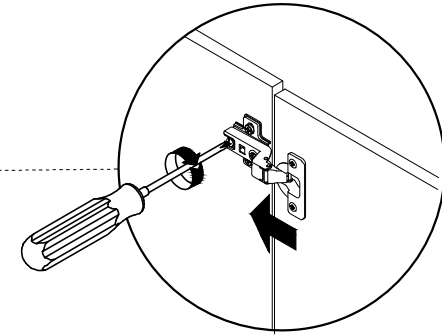
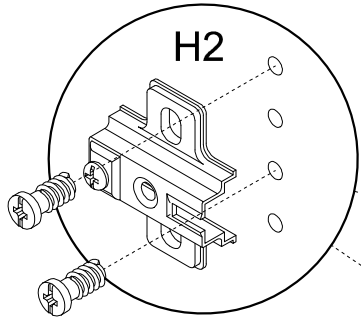
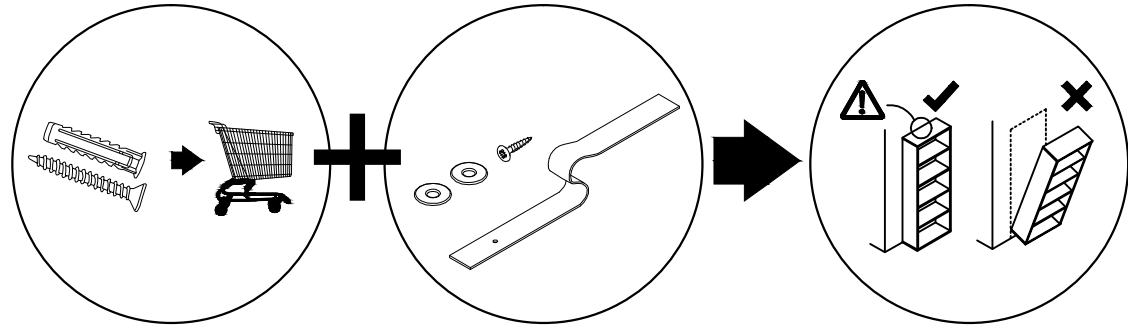
10

ND			1:1
----	--	--	-----

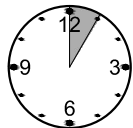
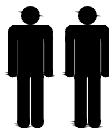
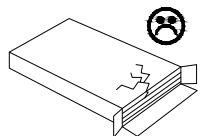
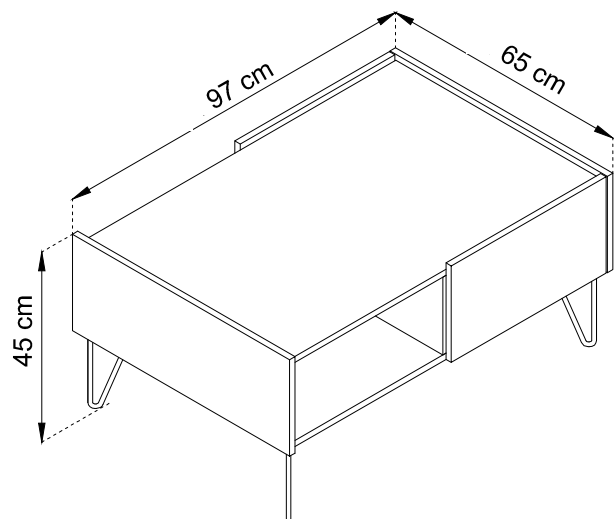
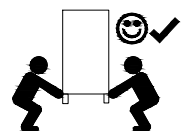
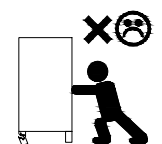
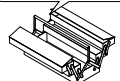
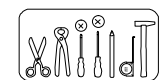
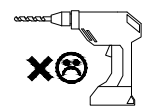
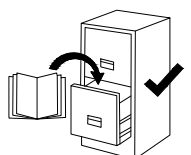
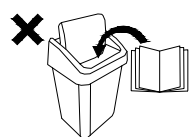
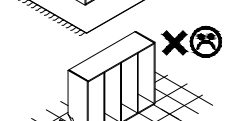
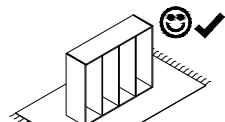
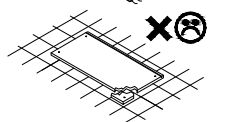
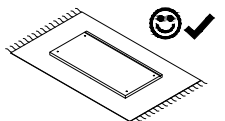


ND	3,5x16	X1	ZZ
			
x6		x6	x12

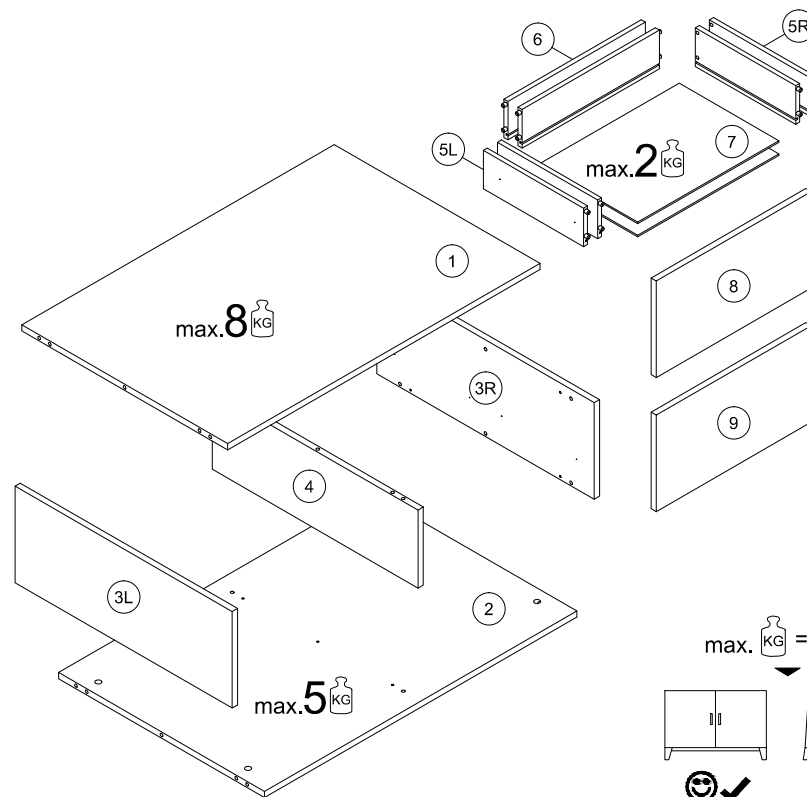




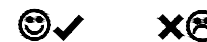
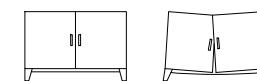




1 H

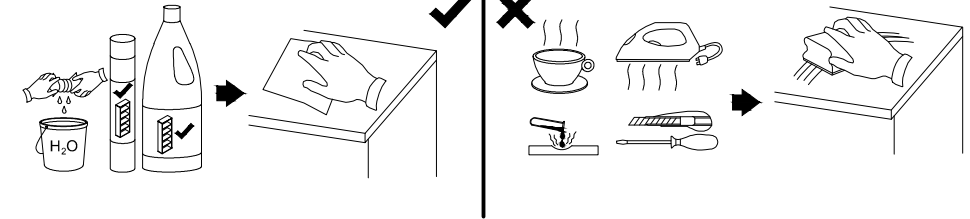
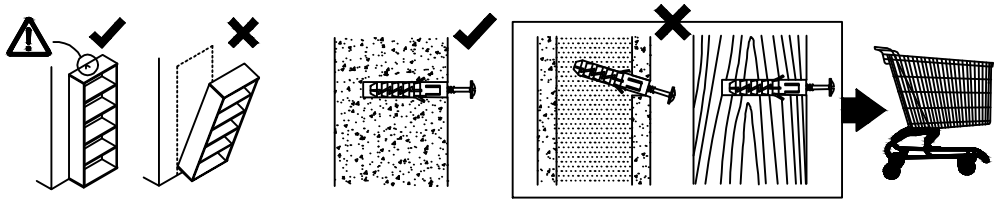
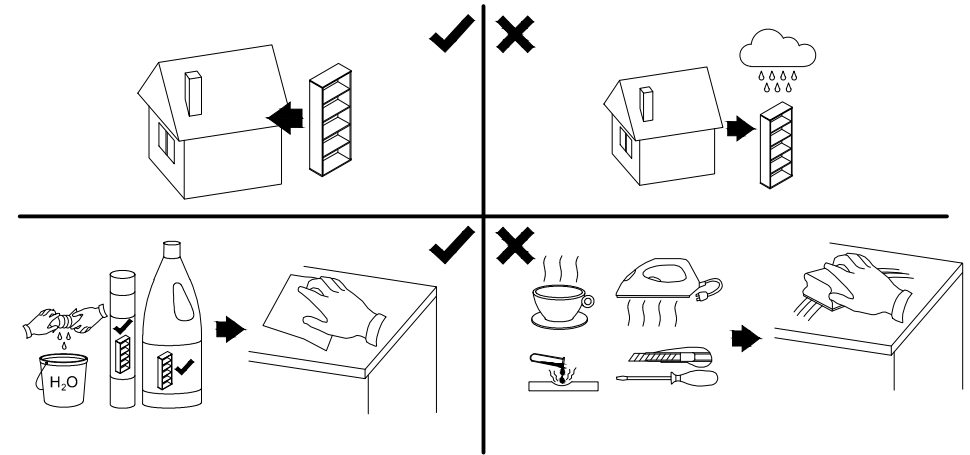
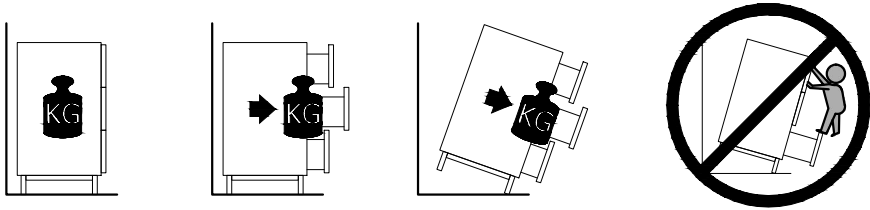


max. = 15 kg.

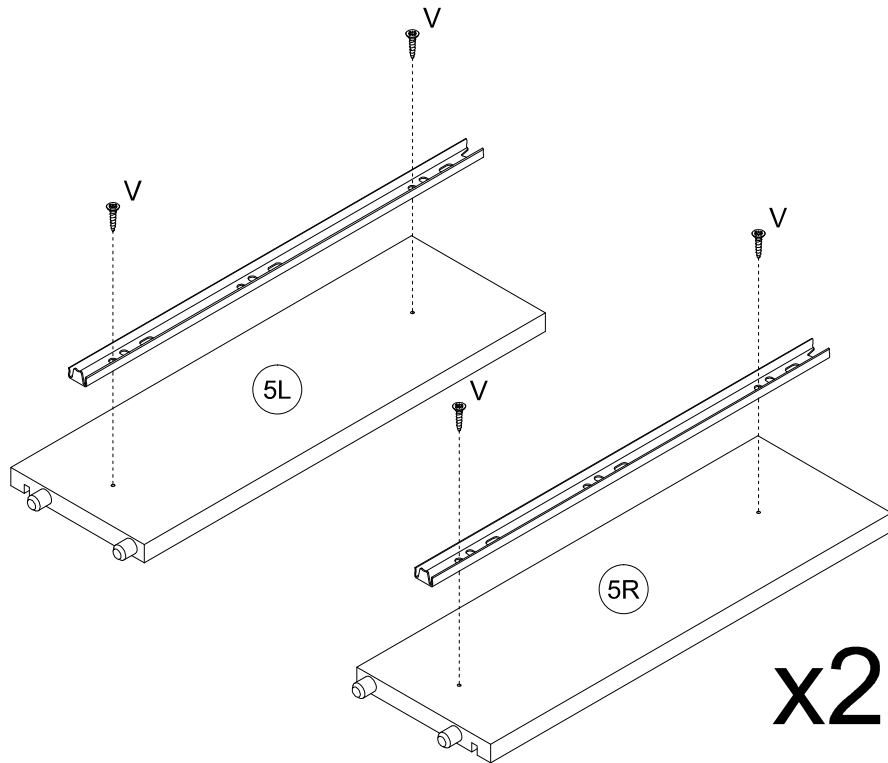
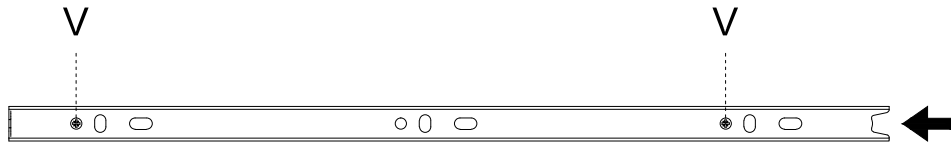
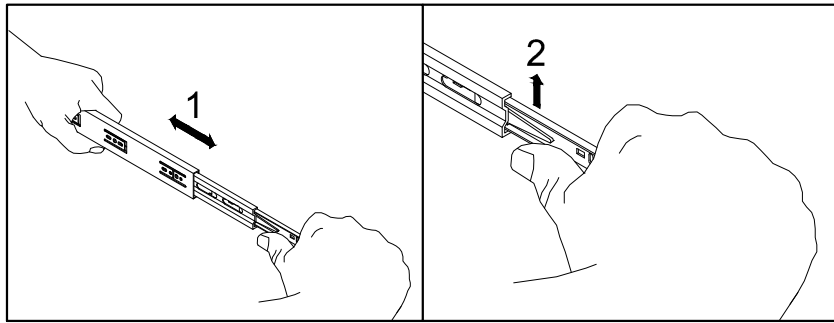


1	935	616	16	x1	2 / 2
2	935	616	16	x1	2 / 2
3L	250	650	16	x1	2 / 2
3R	250	650	16	x1	2 / 2
4	202	616	16	x1	2 / 2
5L	300	100	12	x1	2 / 2
5R	300	100	16	x1	2 / 2
6	411	100	16	x1	2 / 2
7	298	423	2.5	x1	2 / 2
8	463	250	16	x1	2 / 2
9	463	250	16	x1	2 / 2

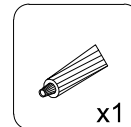
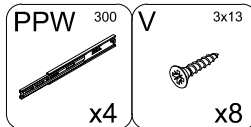
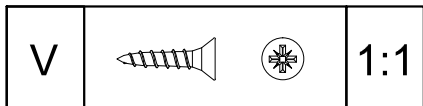
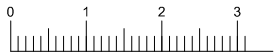
A	8x32	B	4x16	C	300	GLUE			
	x16		x14		x14		x1		
ND	3,5x16	NE	4x16	PPW	300	V	3x13	Z	
	x8		x12		x4		x8		x2



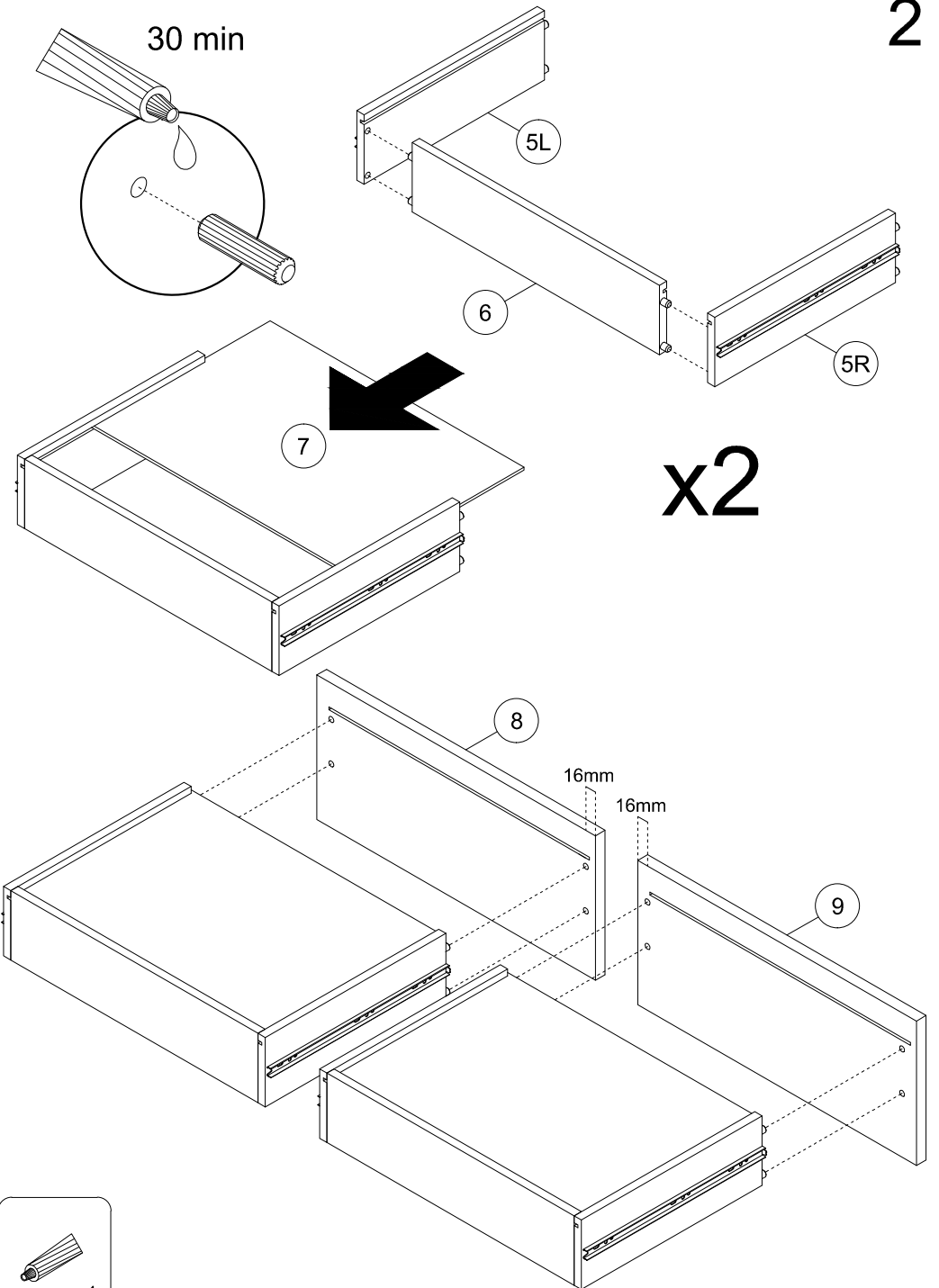
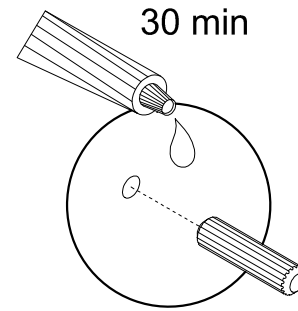
1



x2

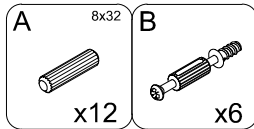
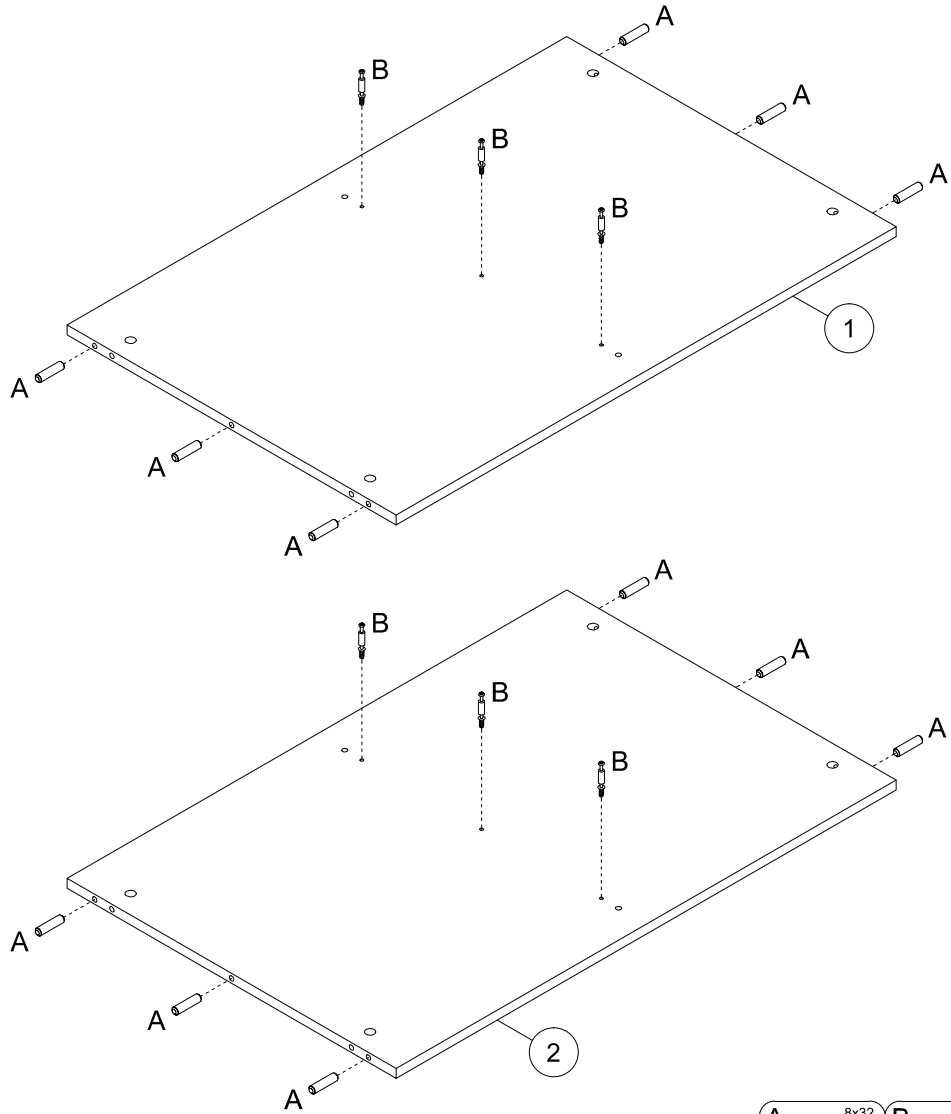
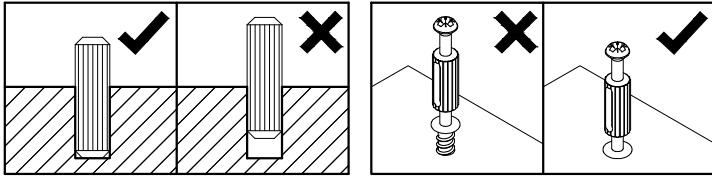


2

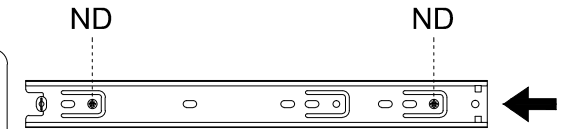
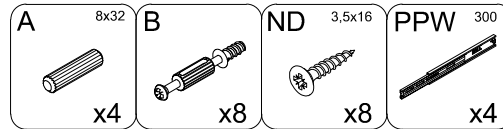
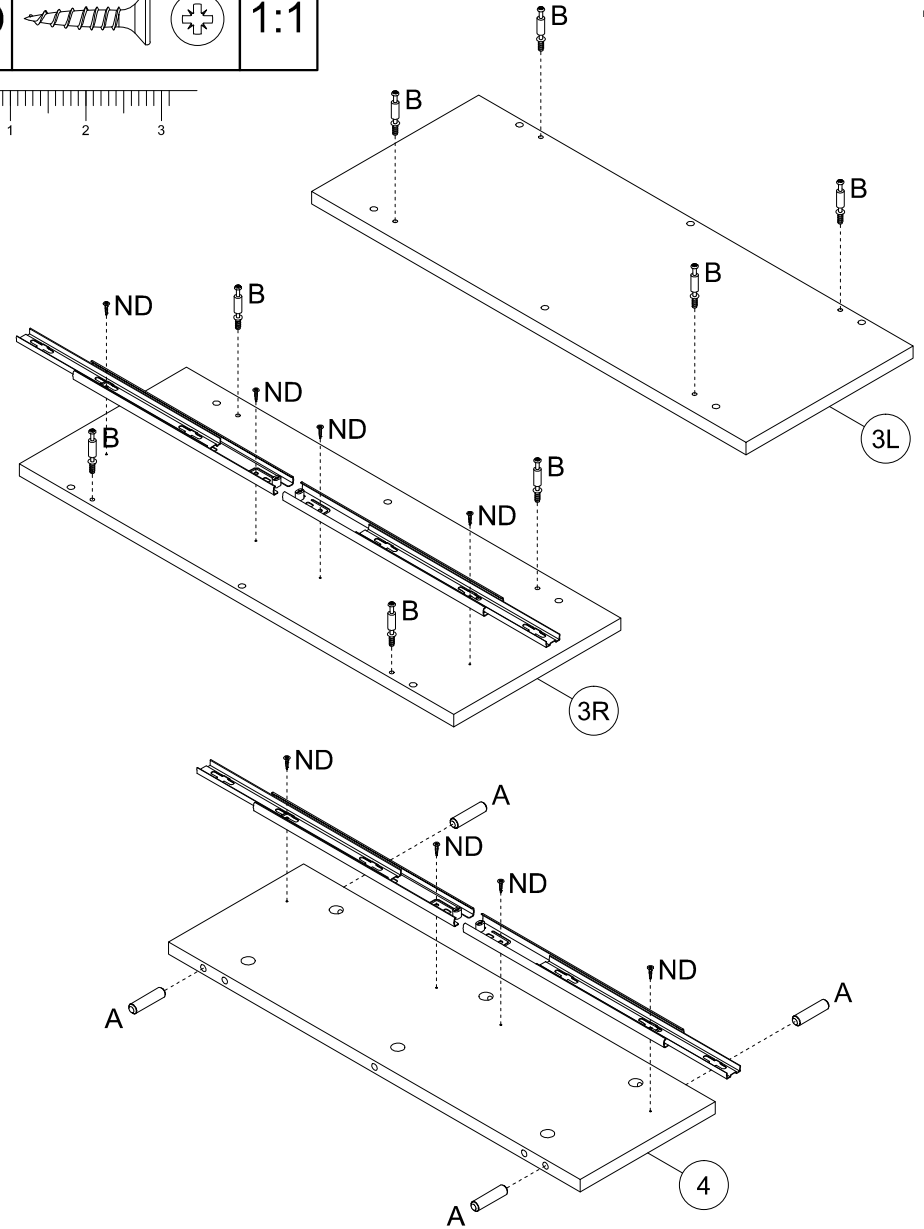
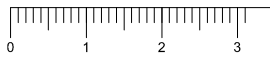
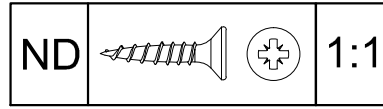


x2

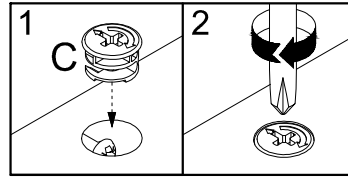
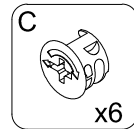
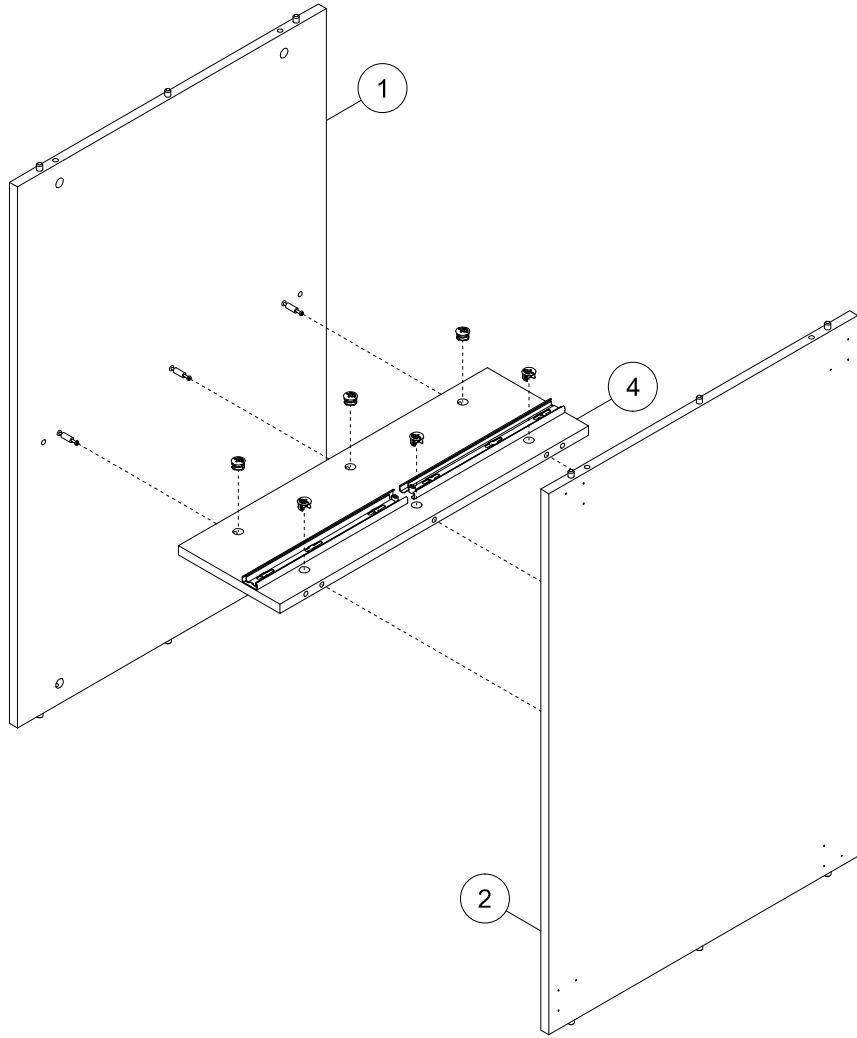
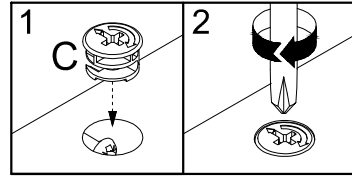
3



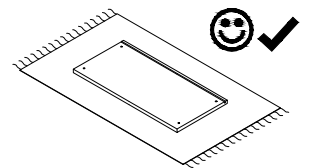
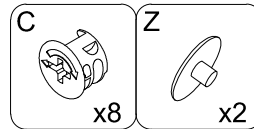
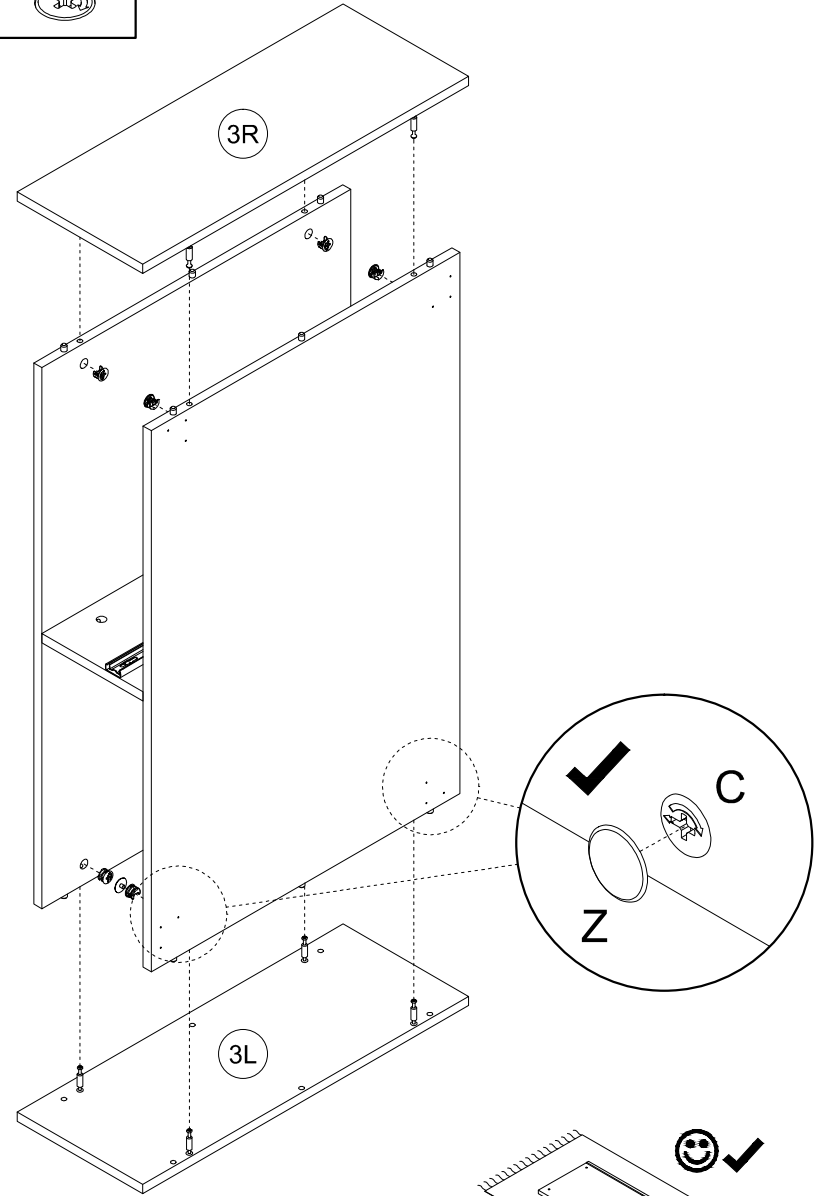
4



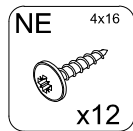
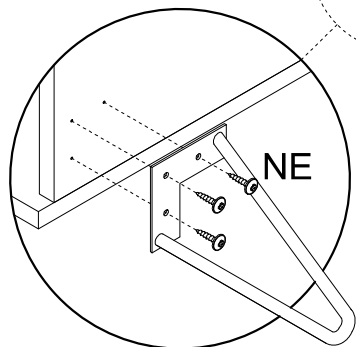
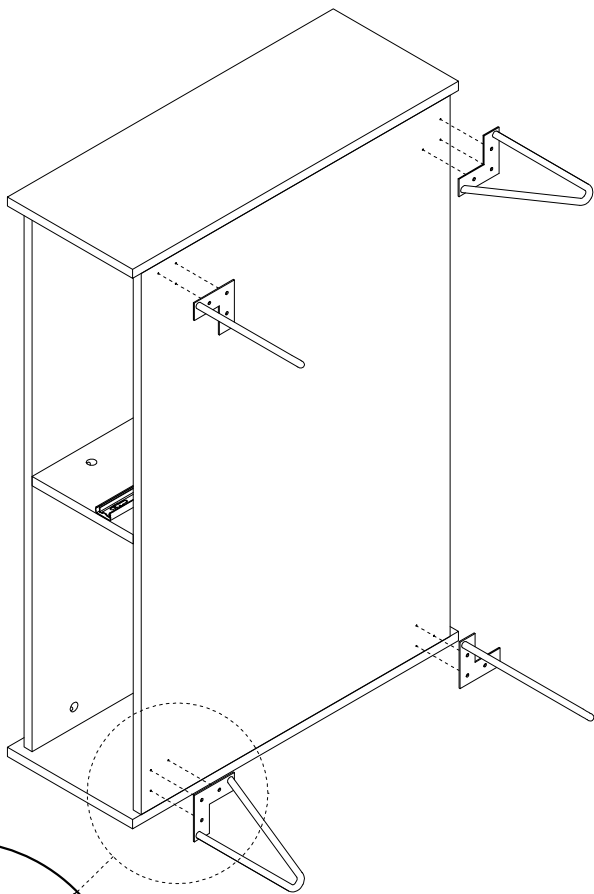
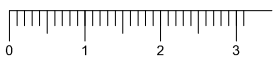
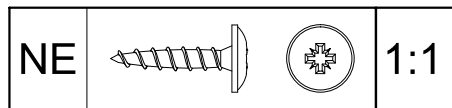
5



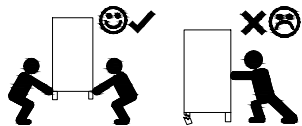
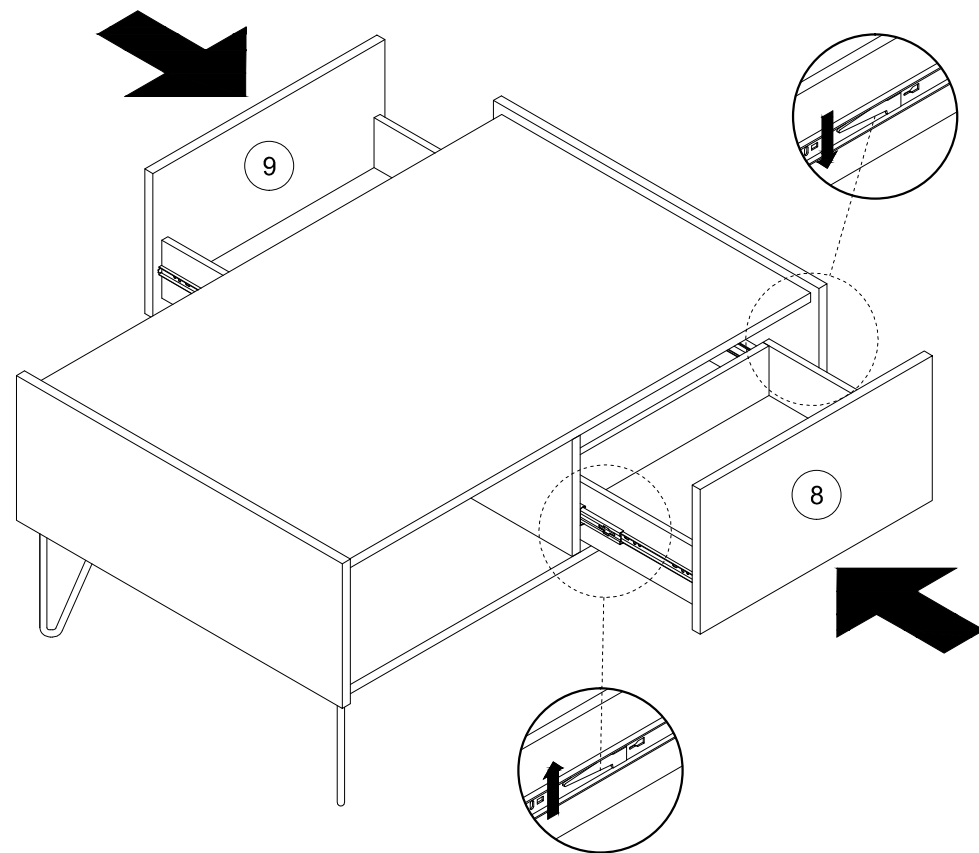
6

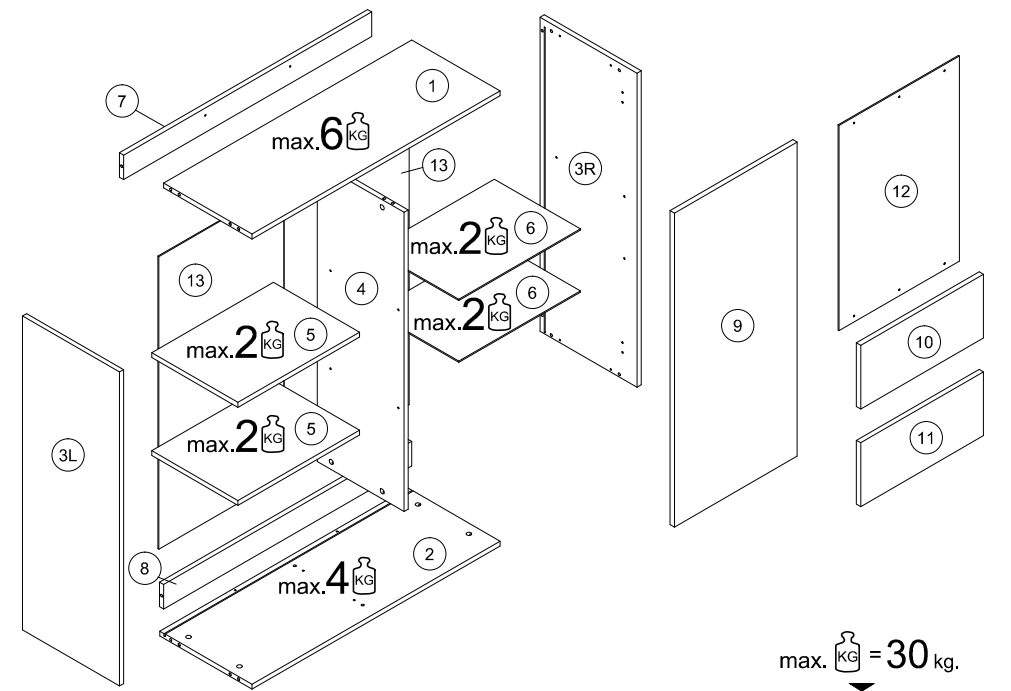
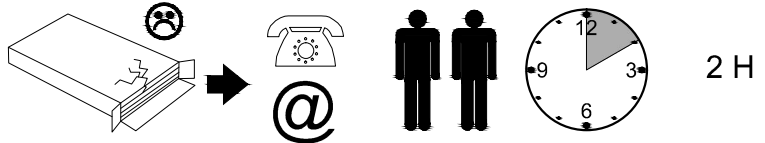
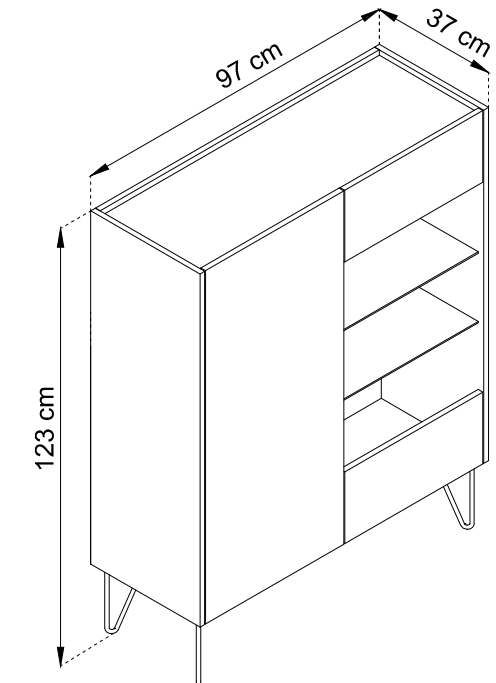
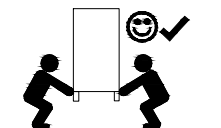
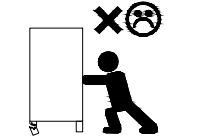
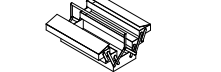
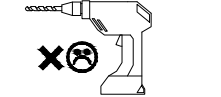
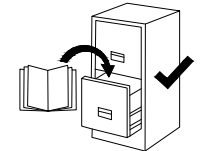
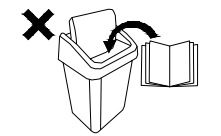
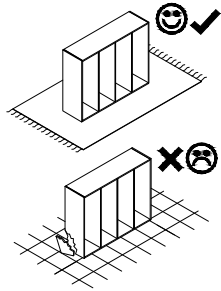
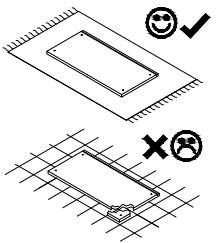


7

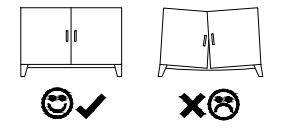


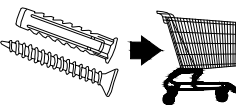
8



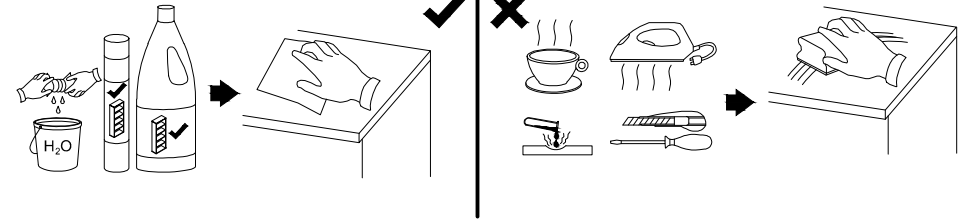
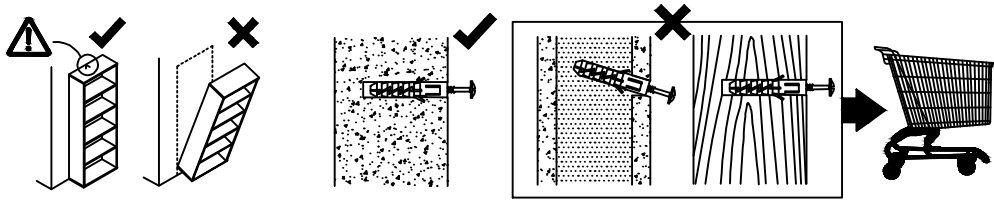
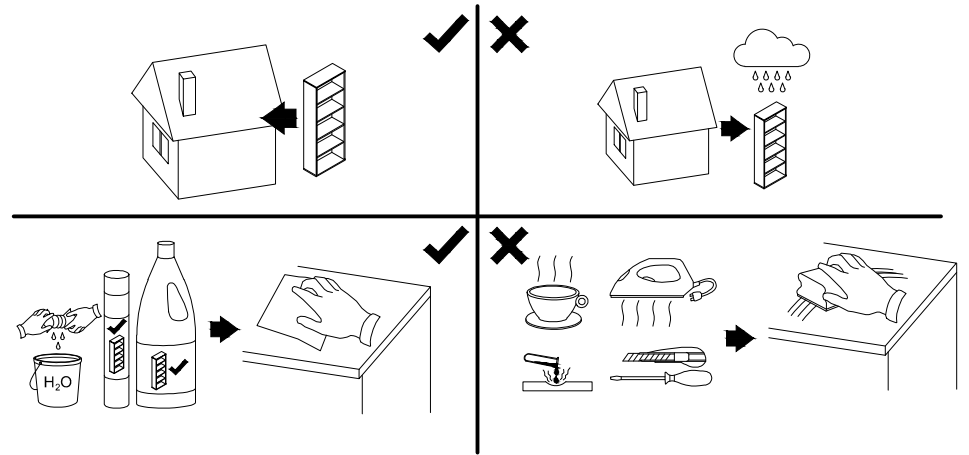
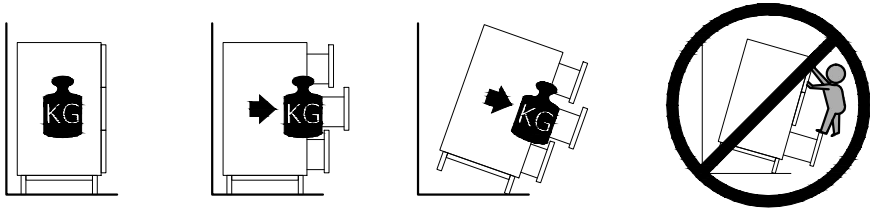


max.  $\text{KG} = 30 \text{ kg.}$



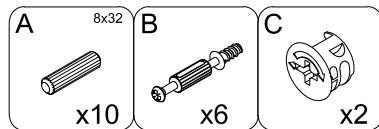
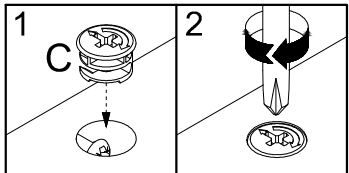
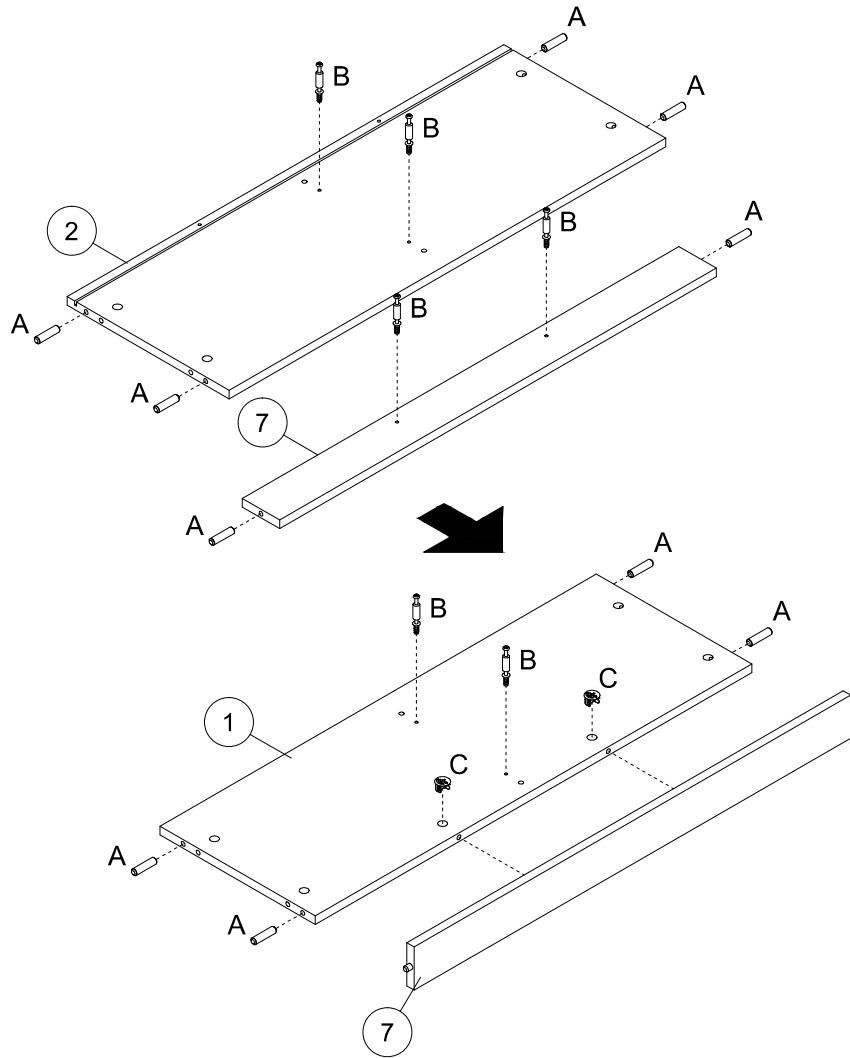
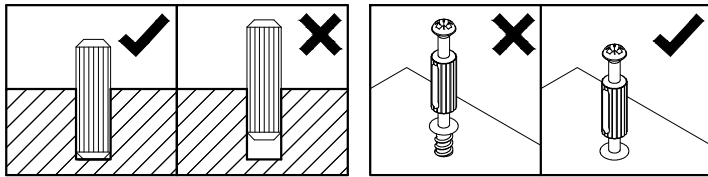
					ZE x8
B x14	C x14	A 8x32 x16	N 3x20 x8	KS x6	
NE 4x16 x18	ND 3,5x16 x12	W+H2 x4	ST 4x60 x1	W 4x60 x2	
X1 x4	X x8	Z x12	ZC x8	ZZ x8	

1	935	333	16	x1	3 / 3
2	935	349	16	x1	3 / 3
3L	1025	366	16	x1	2 / 3
3R	1025	366	16	x1	2 / 3
4	977	329	16	x1	3 / 3
5	459	325	16	x2	3 / 3
6	458	315	4	x2	2 / 3
7	935	80	16	x1	3 / 3
8	935	80	16	x1	3 / 3
9	1025	463	16	x1	2 / 3
10	463	208	16	x1	3 / 3
11	463	208	16	x1	3 / 3
12	670	453	4	x1	2 / 3
13	955	472	3	x2	2 / 3

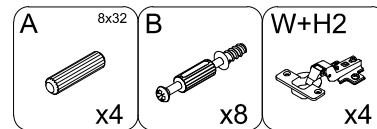
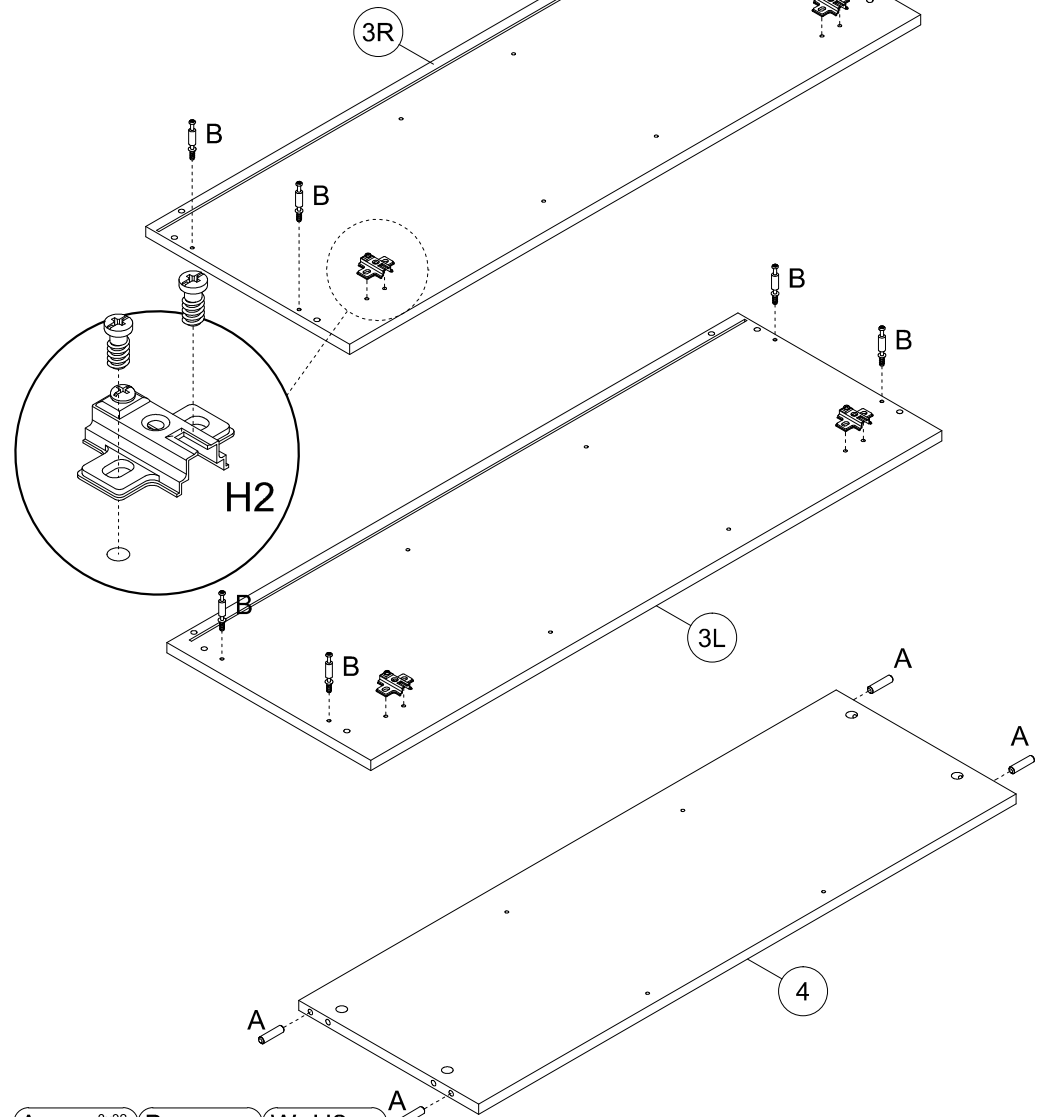
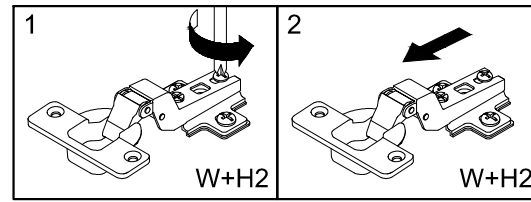




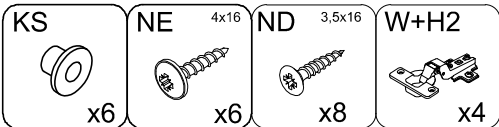
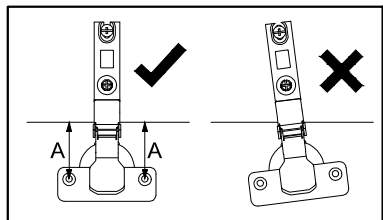
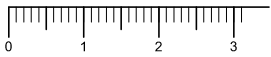
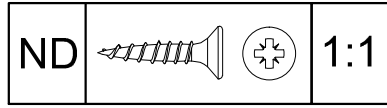
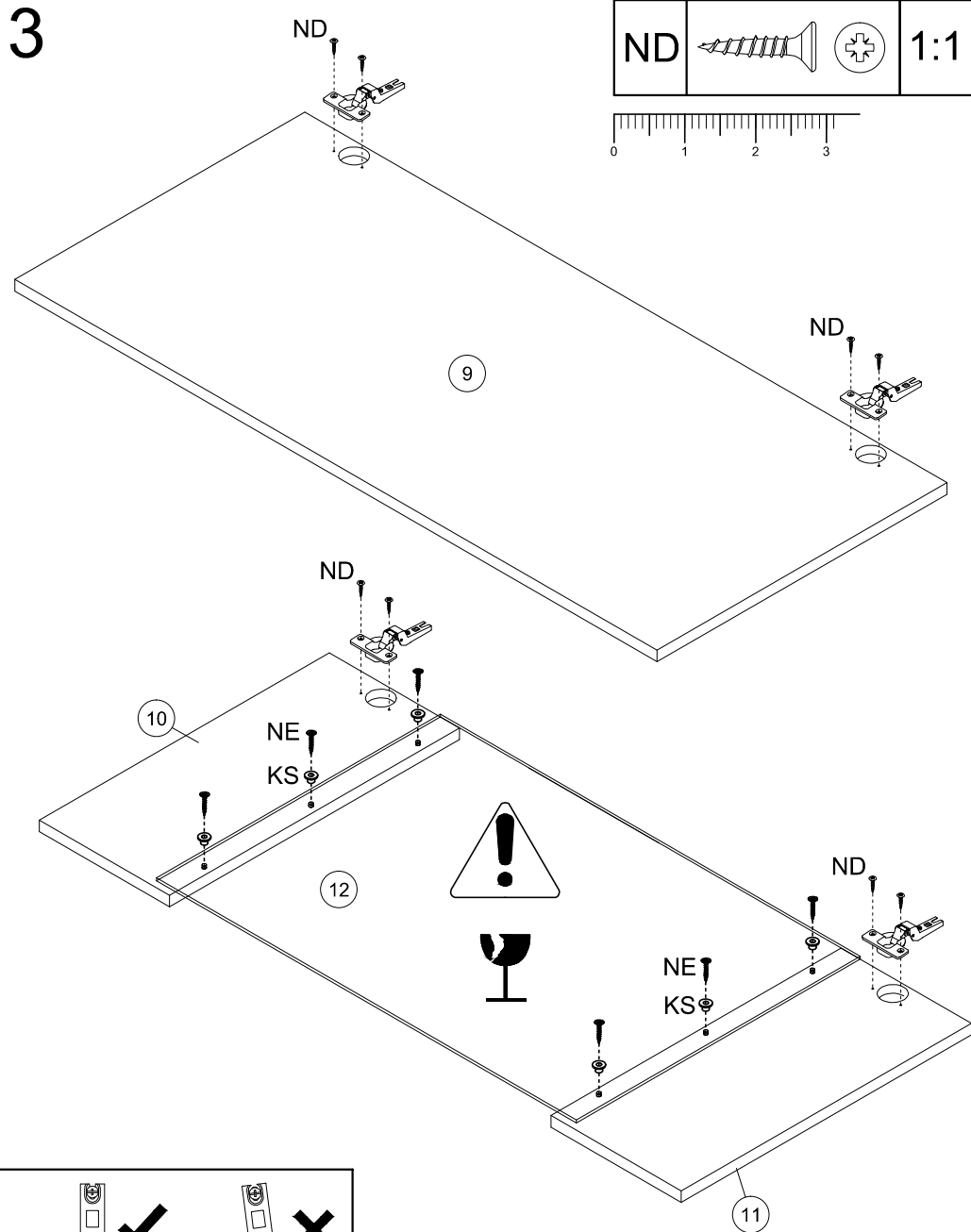
1



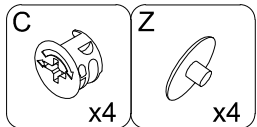
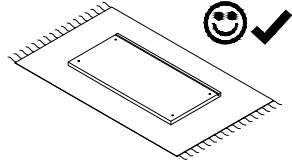
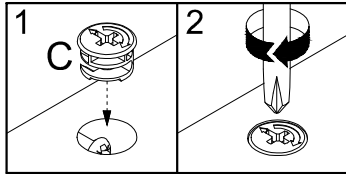
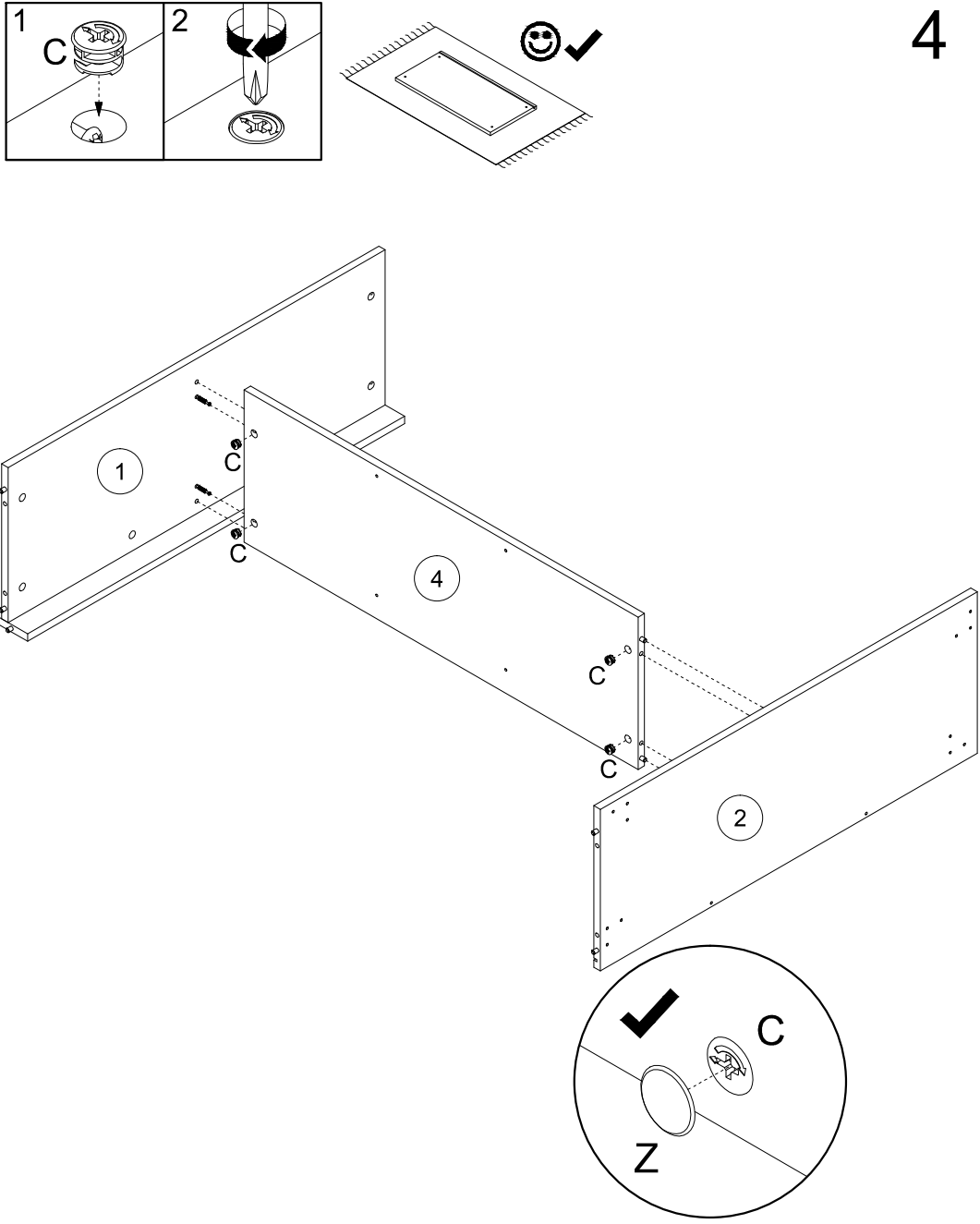
2



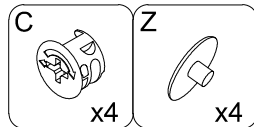
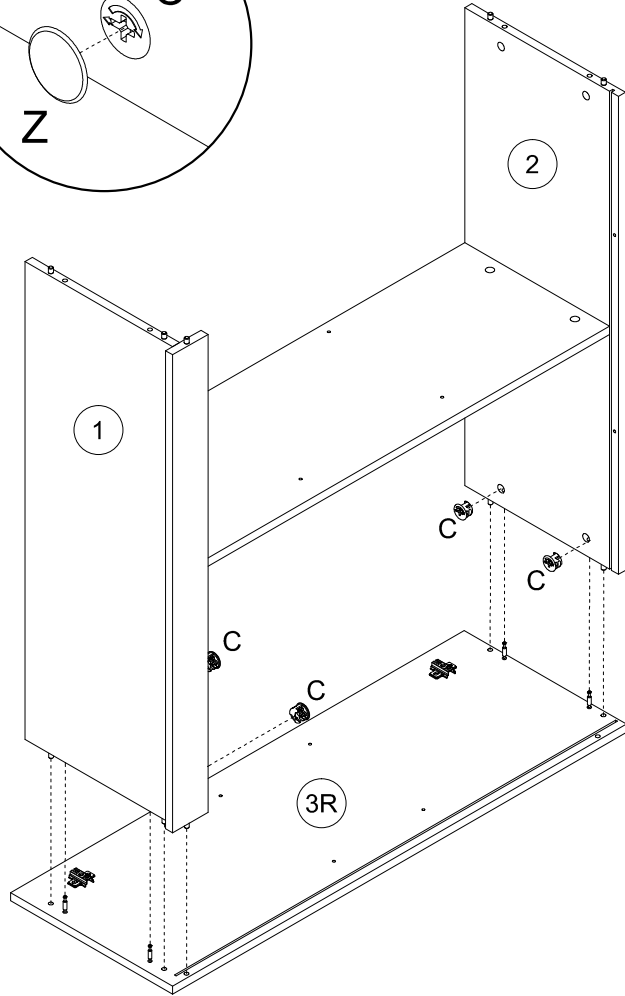
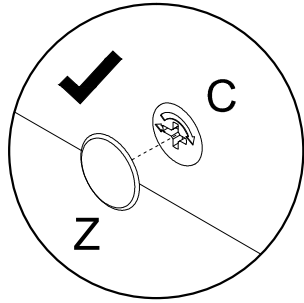
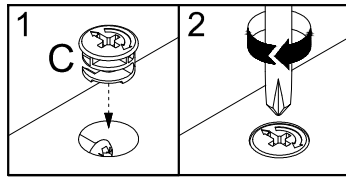
3



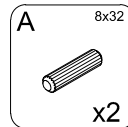
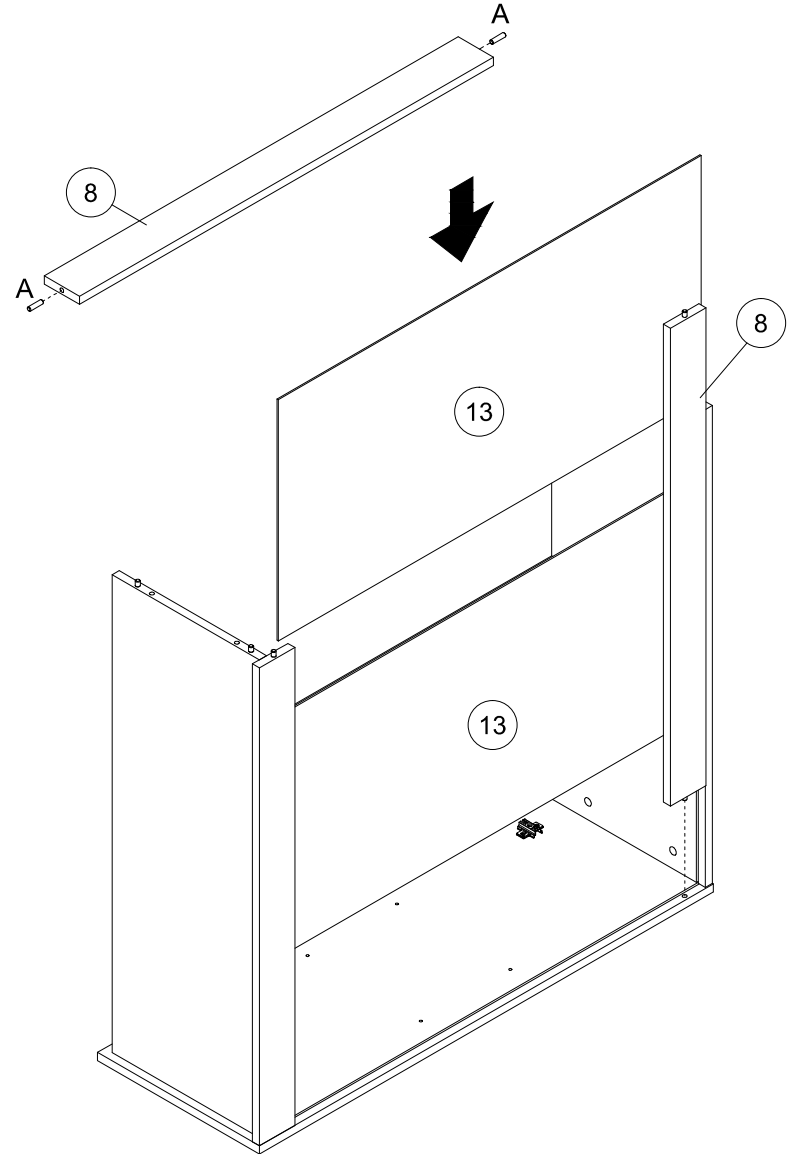
4



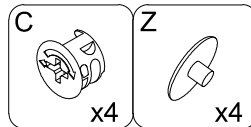
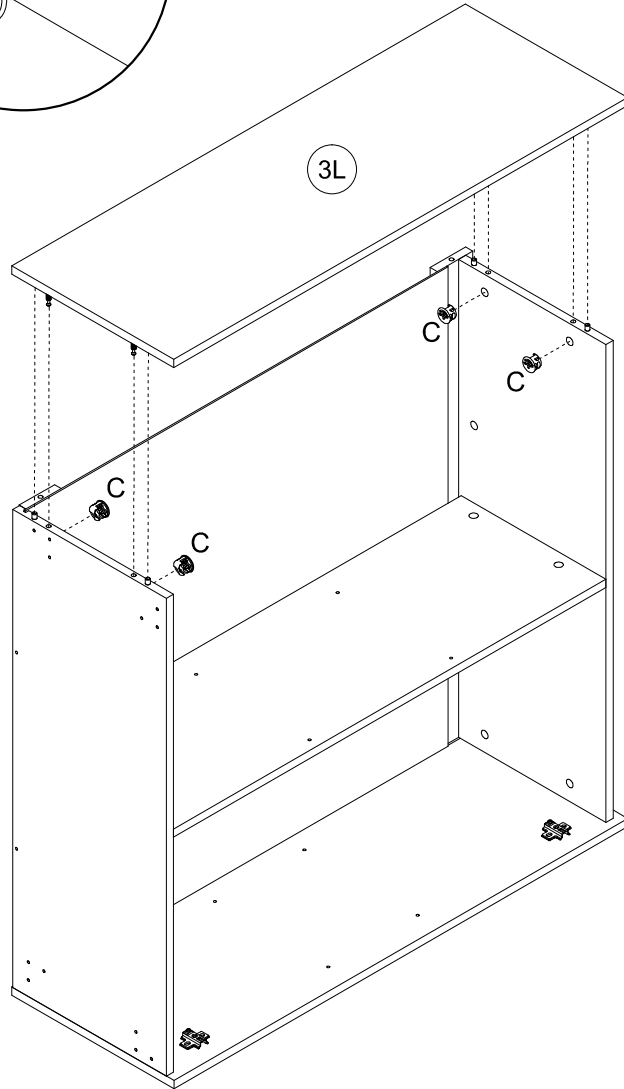
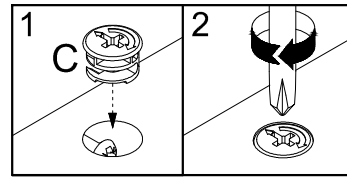
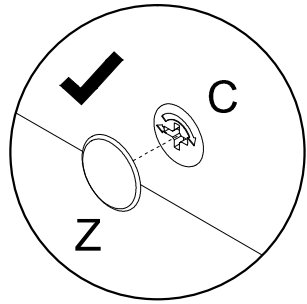
5



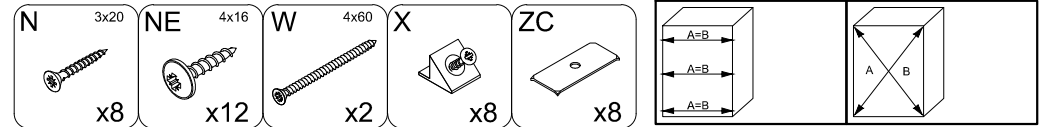
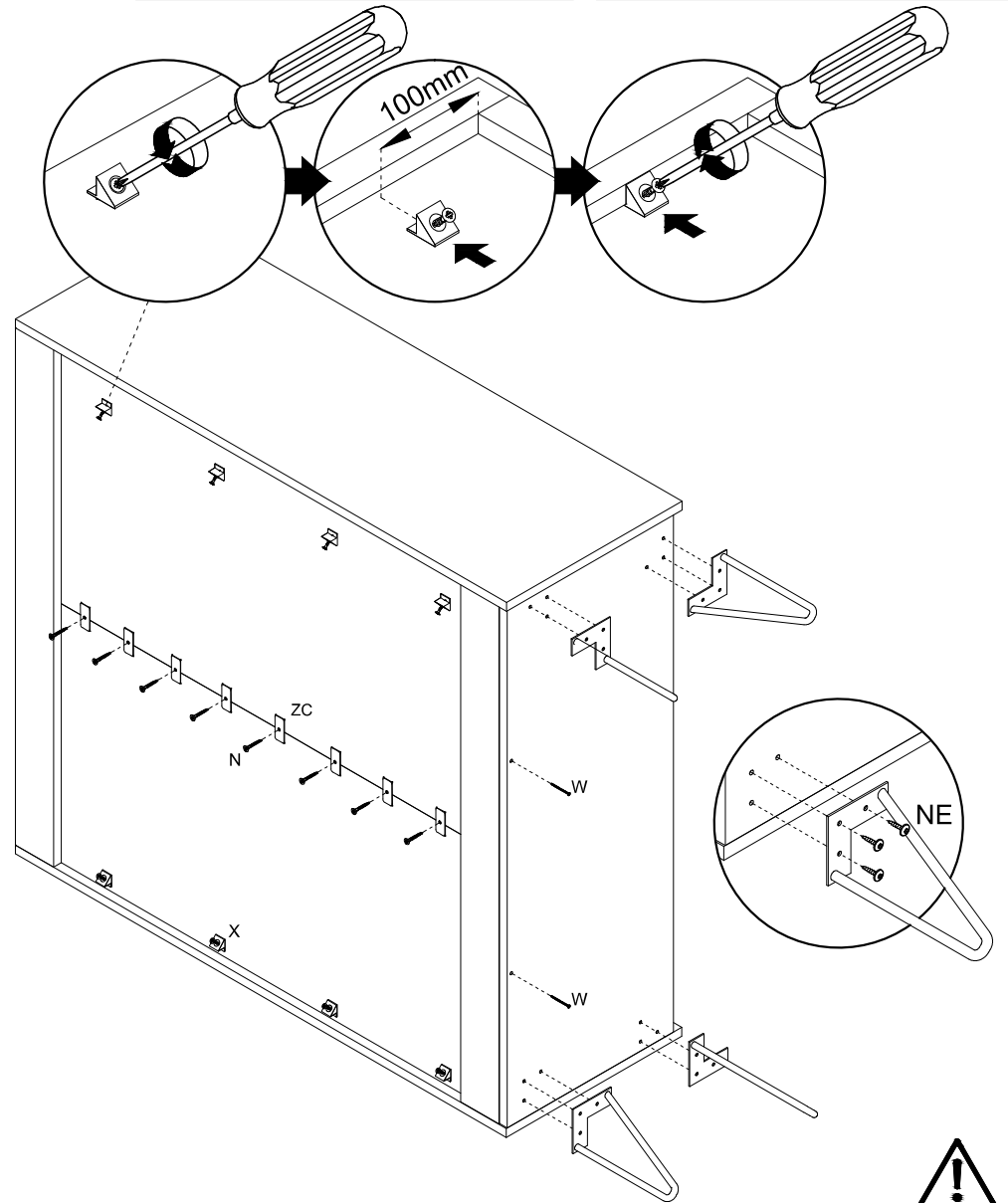
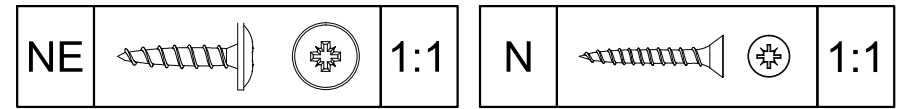
6



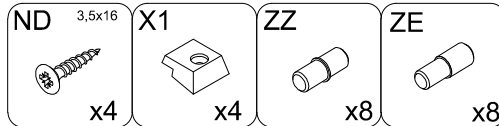
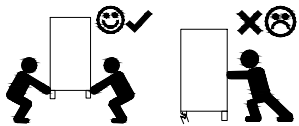
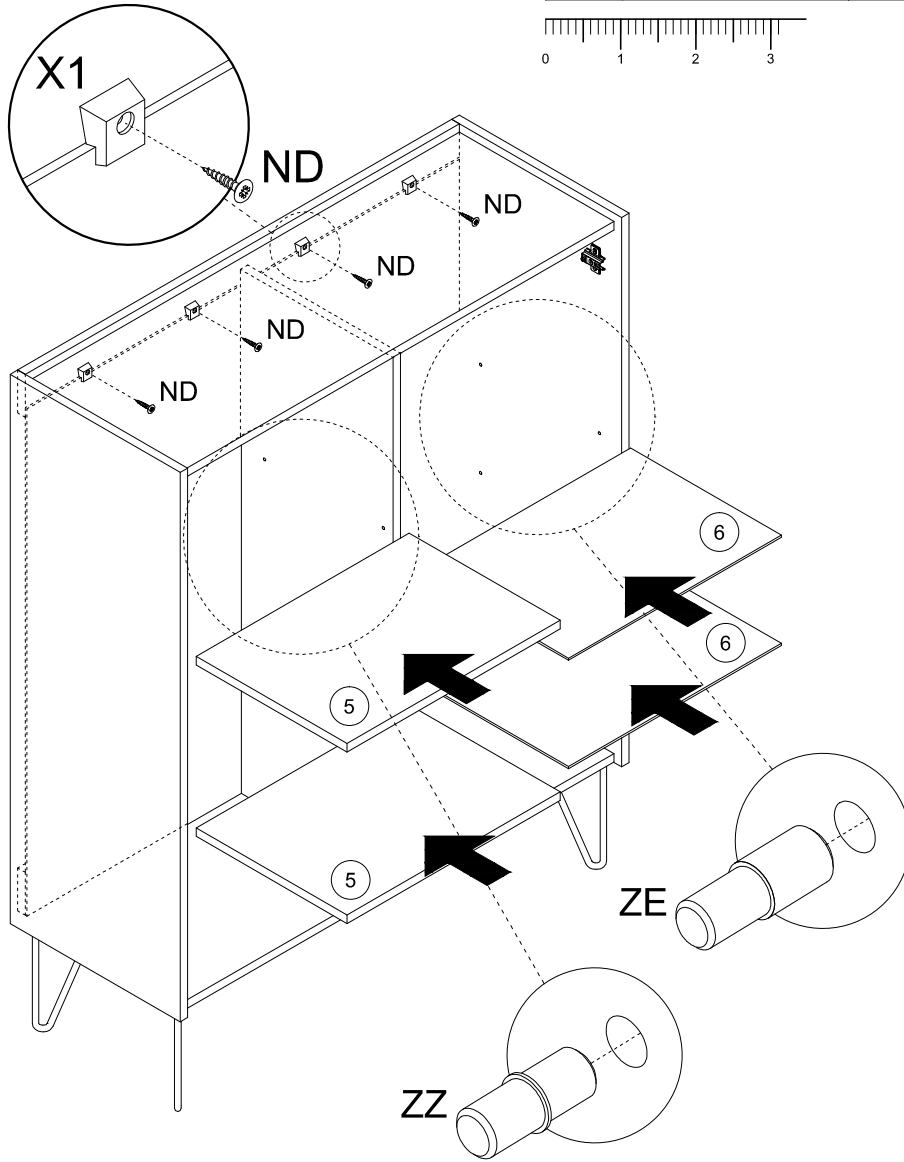
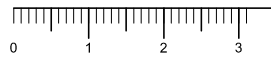
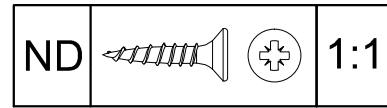
7



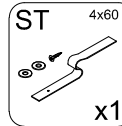
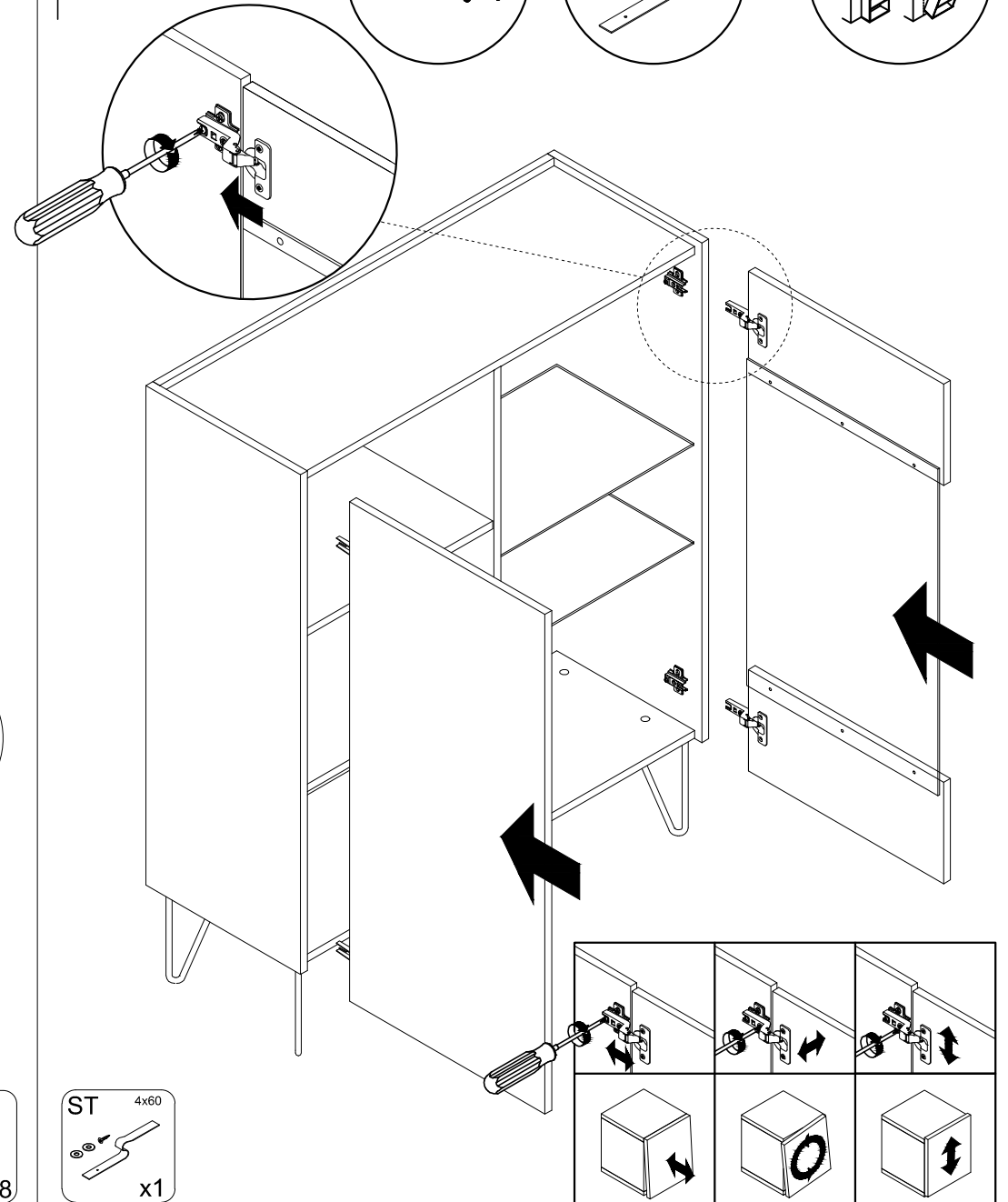
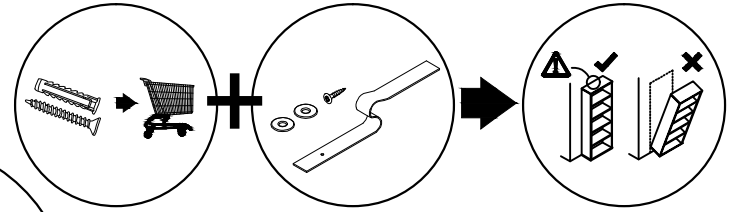
8

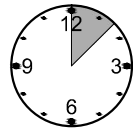
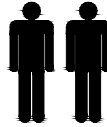
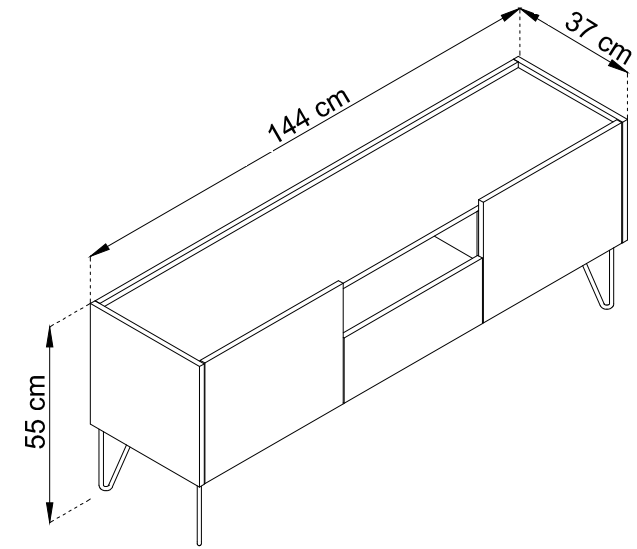
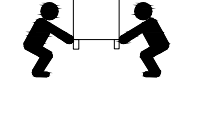
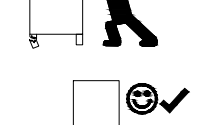
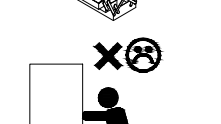
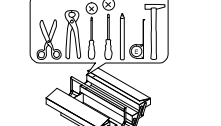
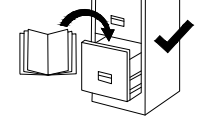
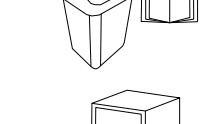
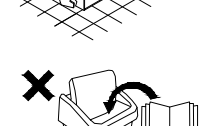
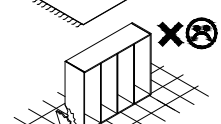
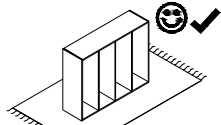
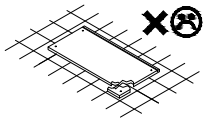
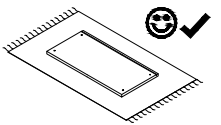


9

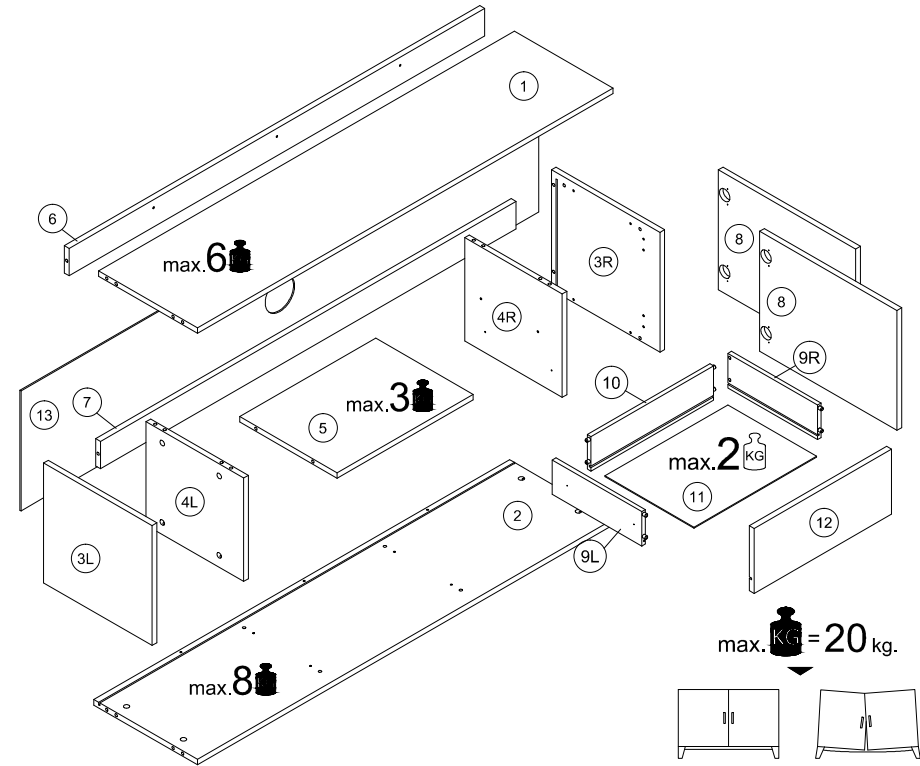


10

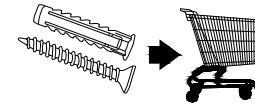
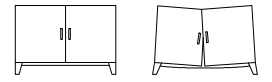




1.5 H

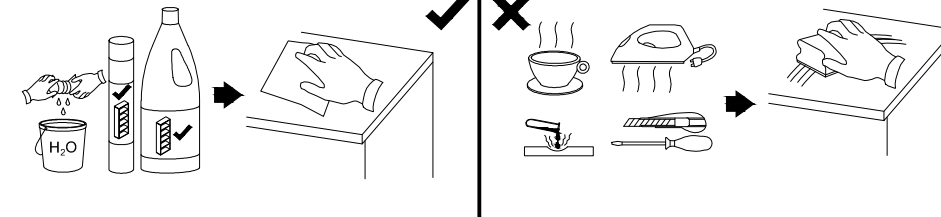
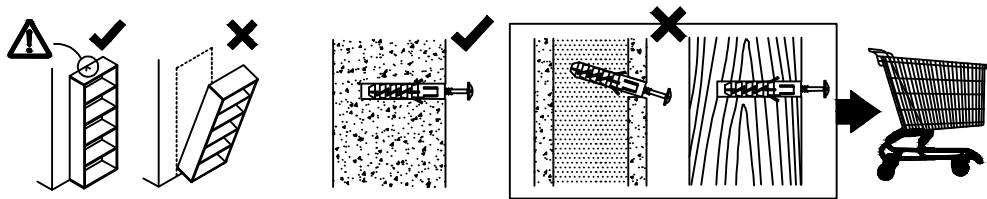
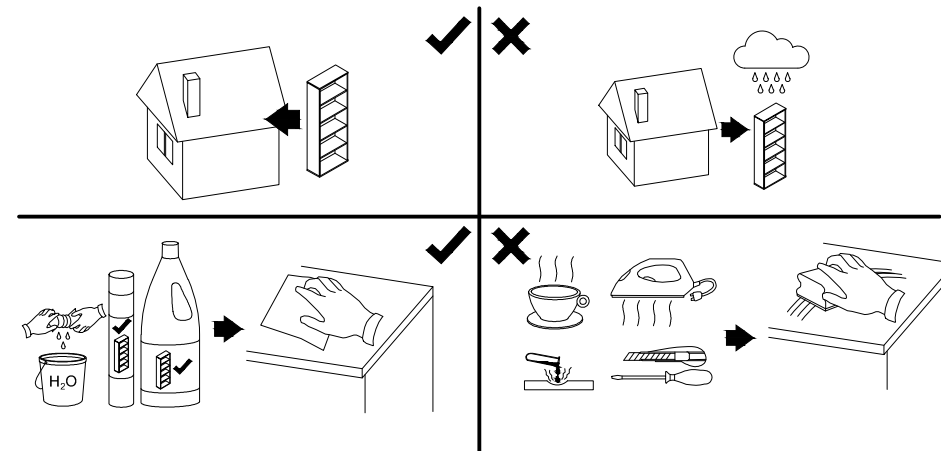
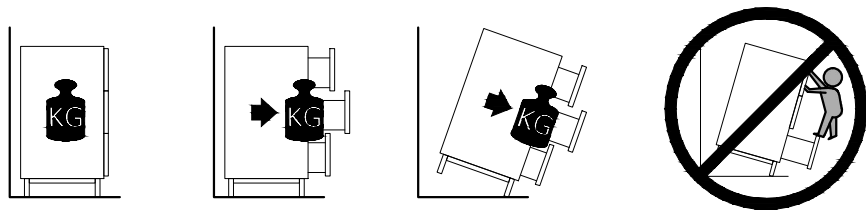


max. = 20 kg.

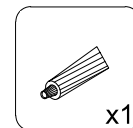
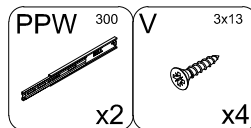
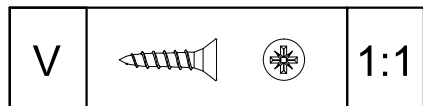
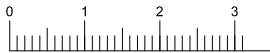
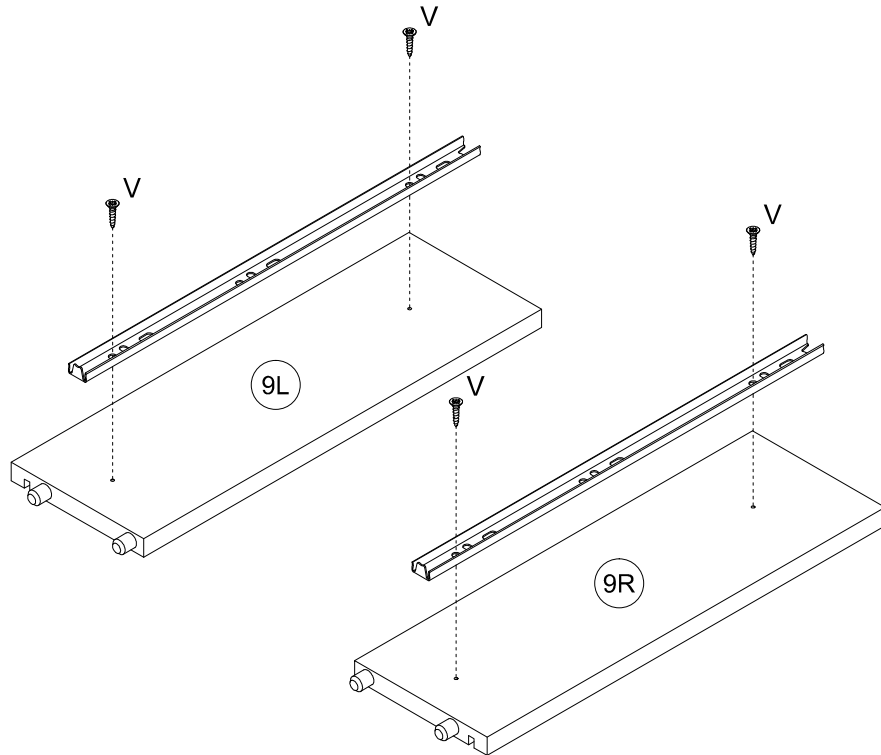
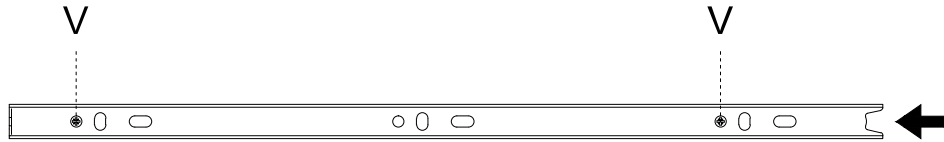
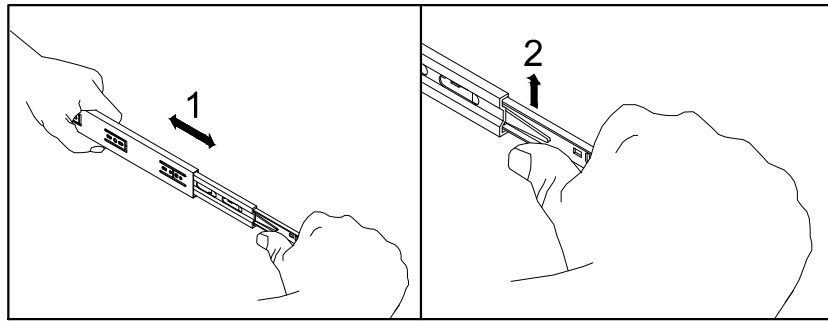


B	C	GLUE	V	NE
x23	x23	x1	3x13 x4	4x16 x12
A	W+H2	ST	W	PPW
8x32 x20	x4	x1	4x60 x3	300 x2
X	X1	ND	N	Z
x2	x6	3.5x16 x18	3x20 x2	x16

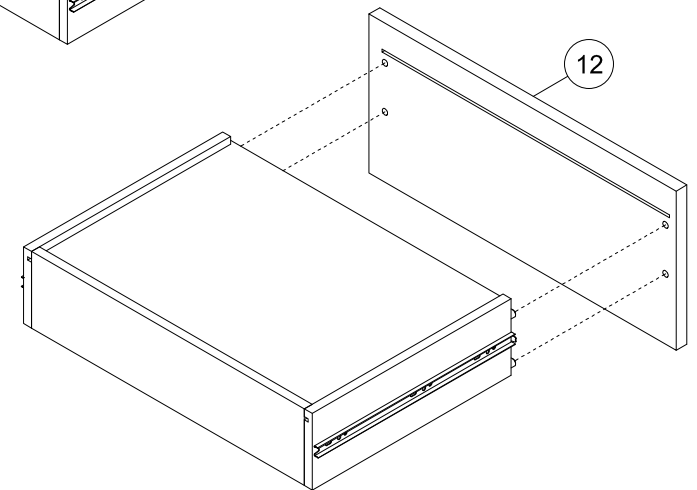
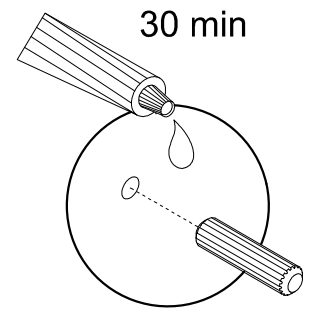
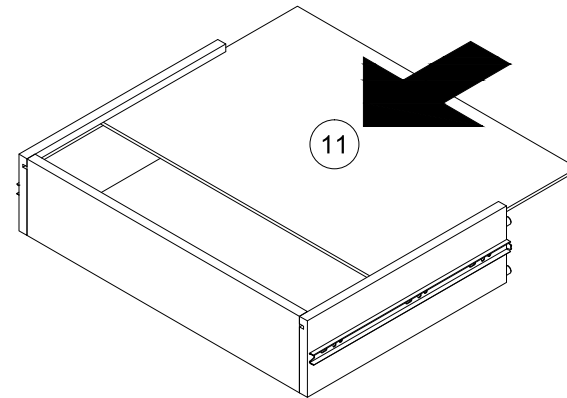
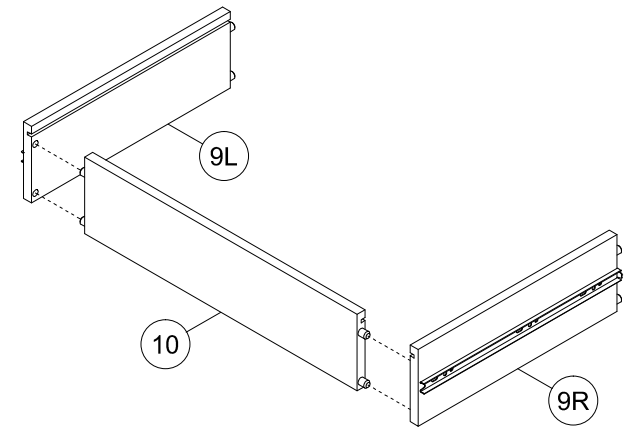
1	1402	333	16	x1	2 / 2
2	1402	349	16	x1	2 / 2
3L	350	366	16	x1	2 / 2
3R	350	366	16	x1	2 / 2
4L	329	302	16	x2	2 / 2
4R	329	302	16	x1	2 / 2
5	459	329	16	x1	2 / 2
6	1402	80	16	x1	2 / 2
7	1402	80	16	x1	2 / 2
8	463	350	16	x1	2 / 2
9L	300	100	12	x1	2 / 2
9R	300	100	12	x1	2 / 2
10	411	100	12	x1	2 / 2
11	422	298	2.5	x1	2 / 2
12	463	190	16	x1	2 / 2
13	1412	283	2.5	x1	2 / 2



1

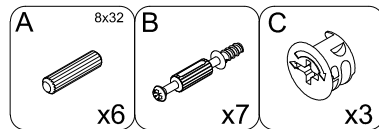
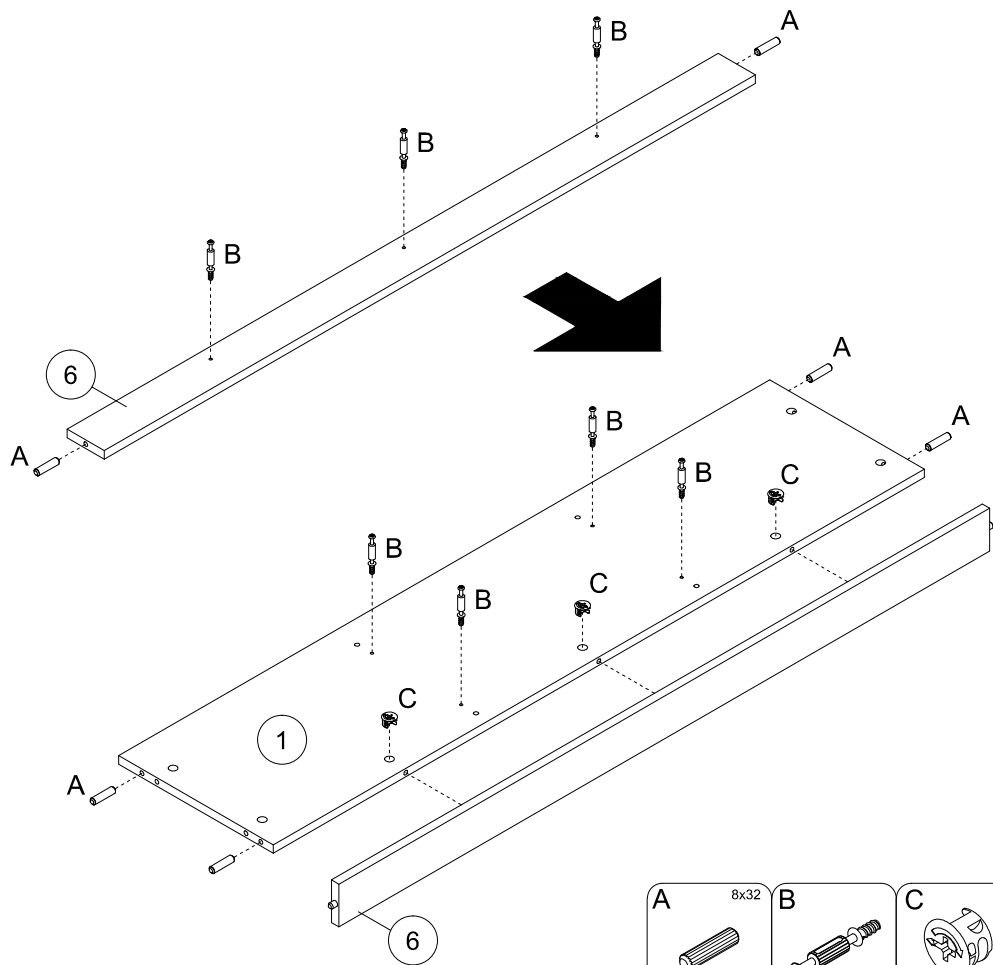
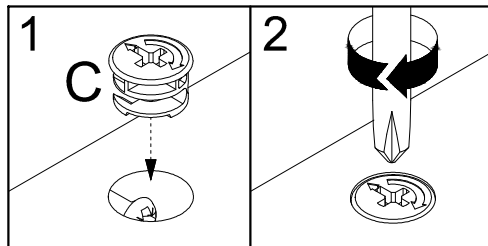
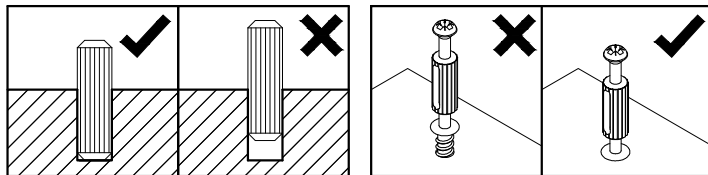
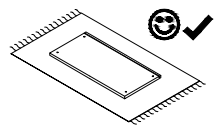


2

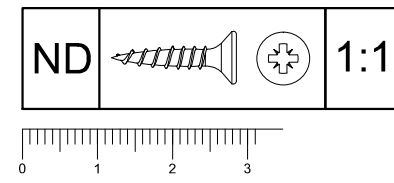
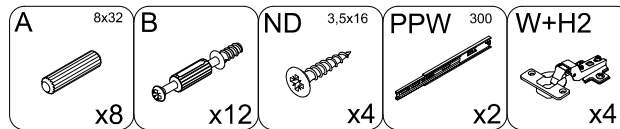
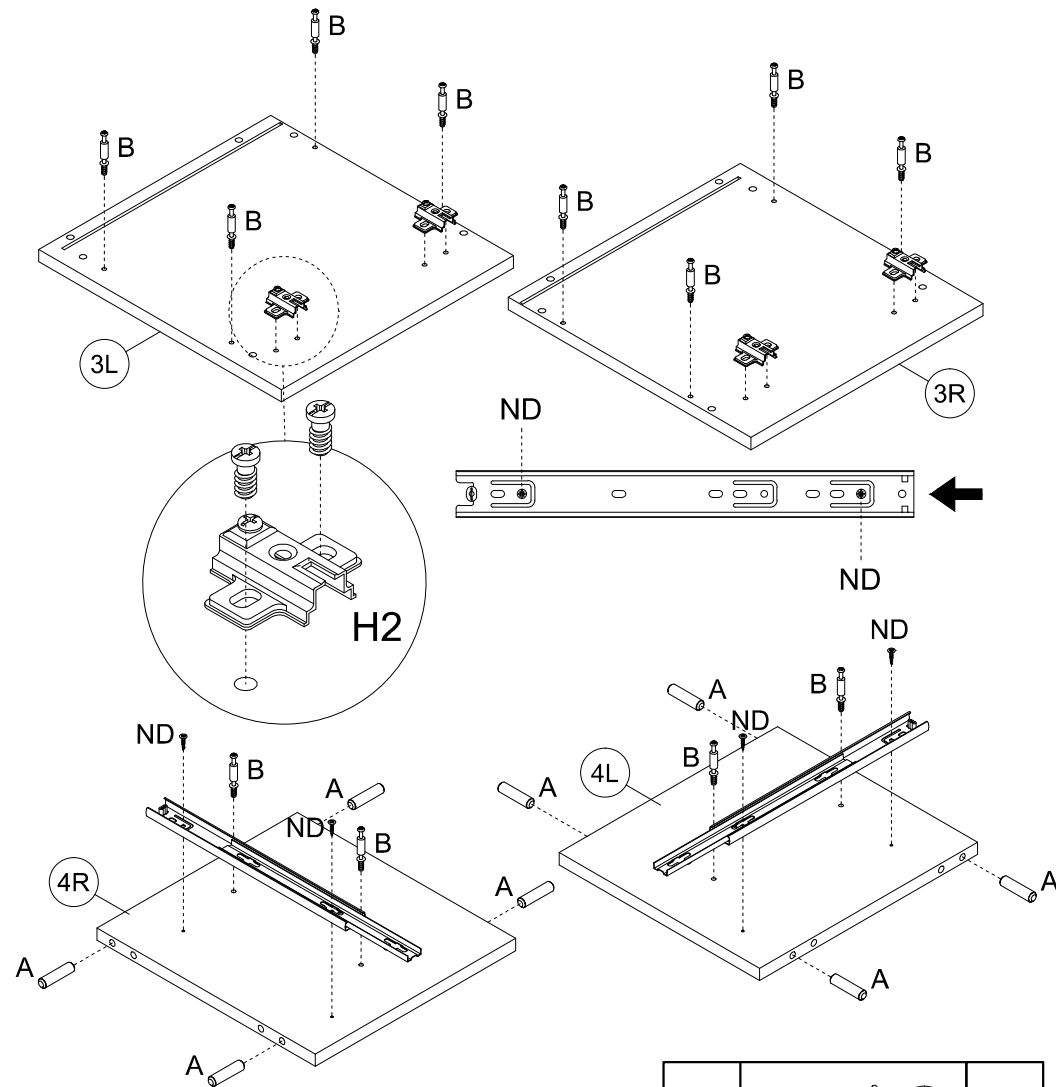
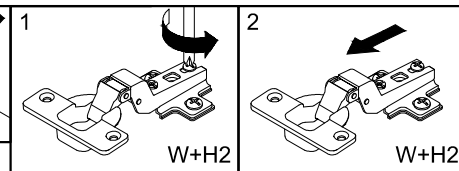
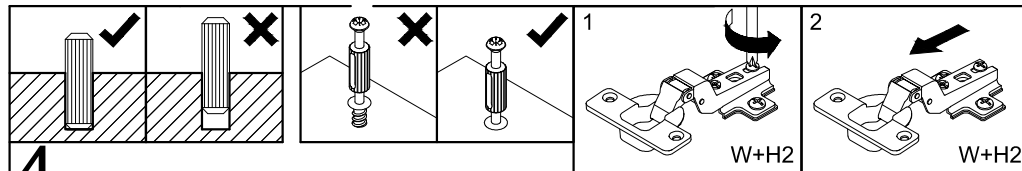




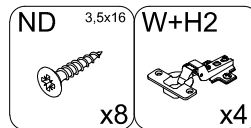
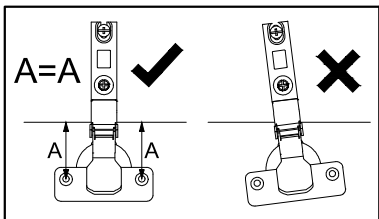
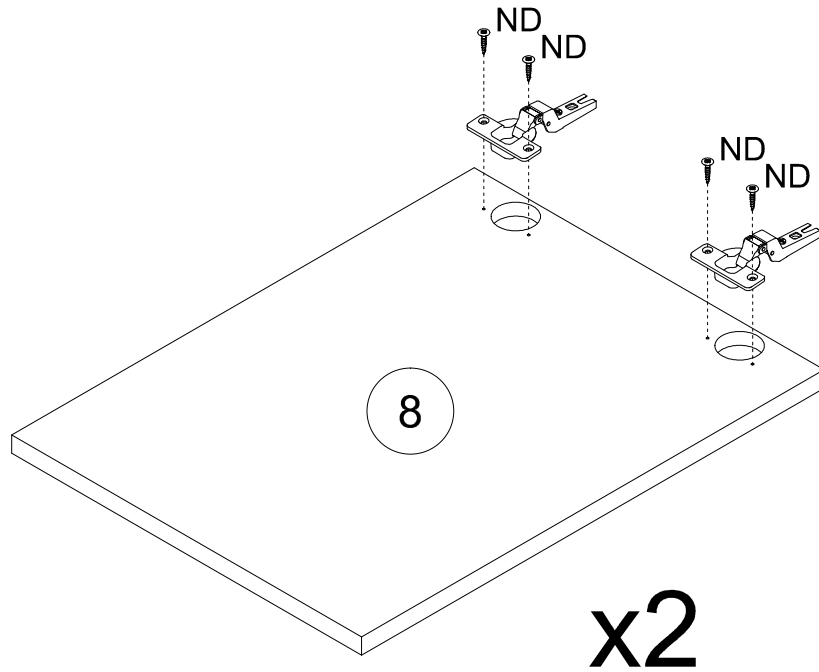
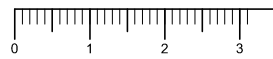
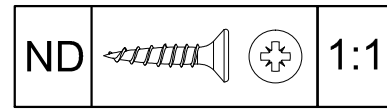
3



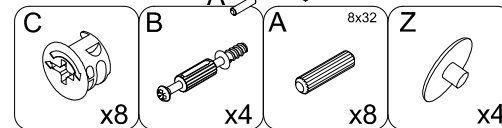
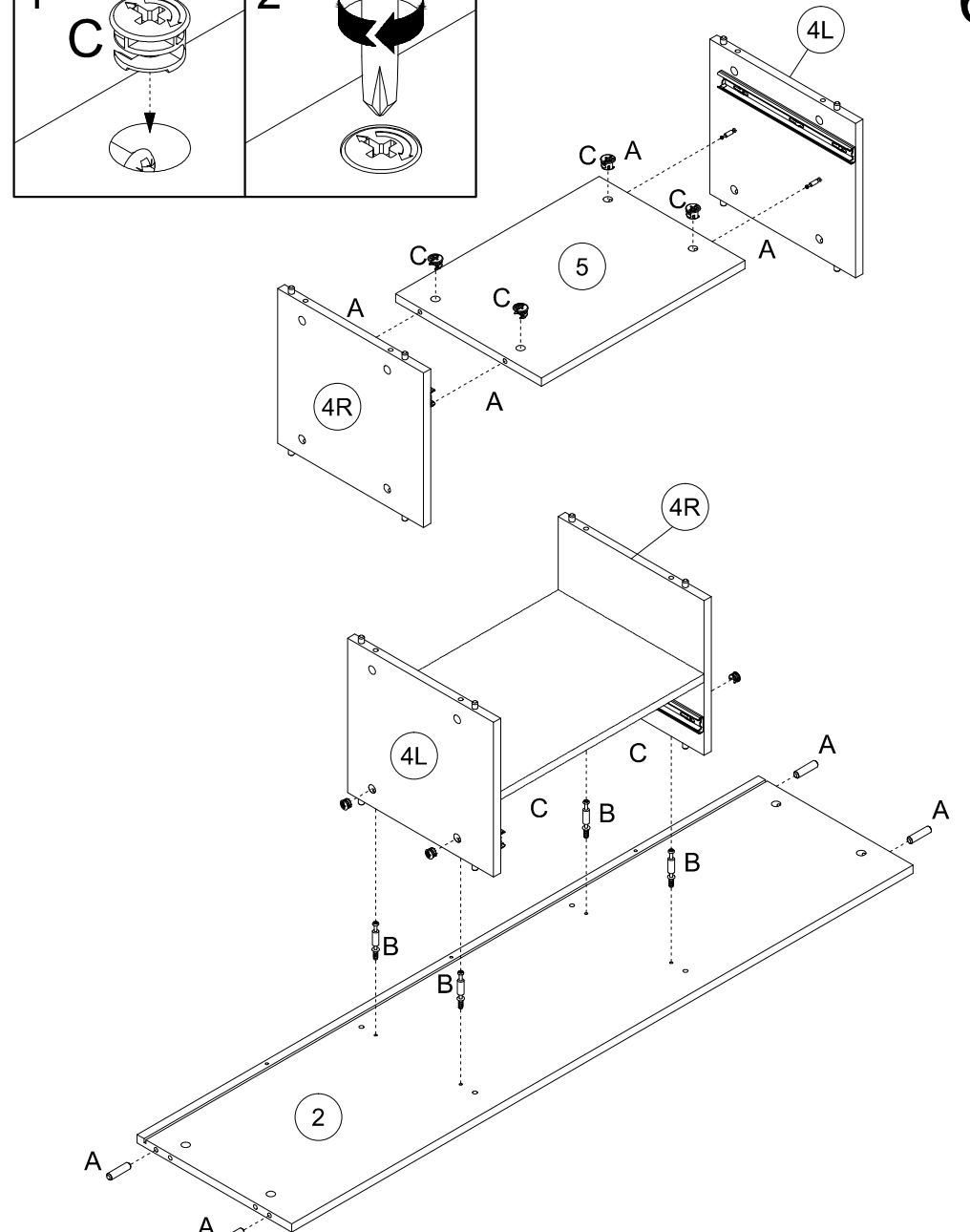
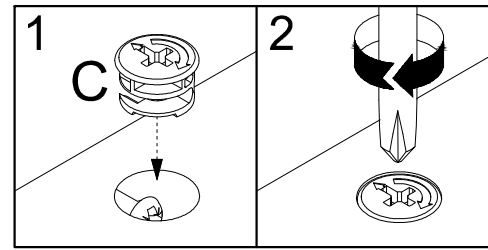
4



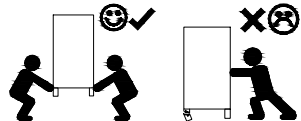
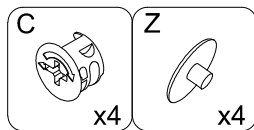
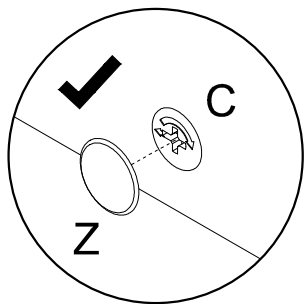
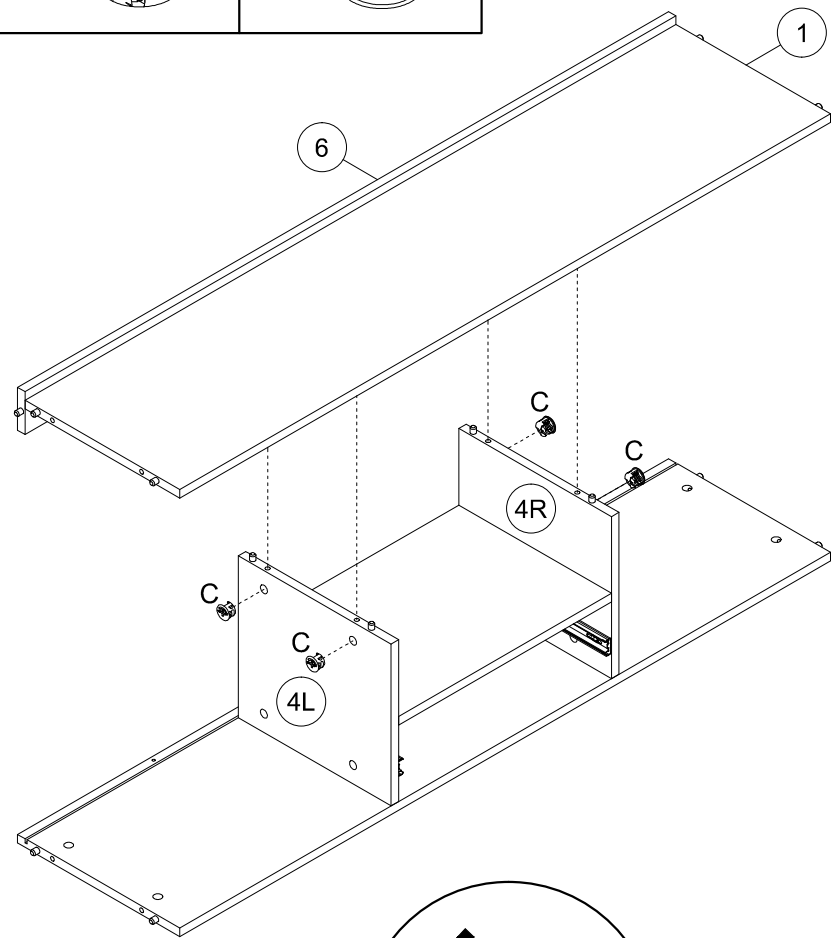
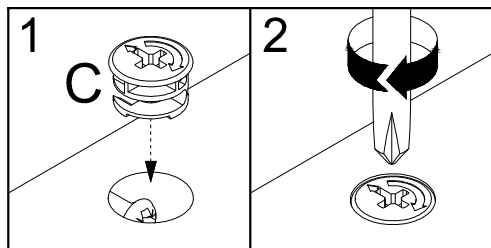
5



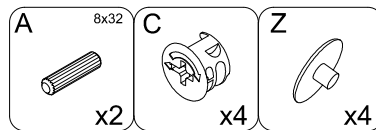
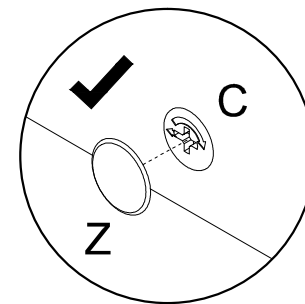
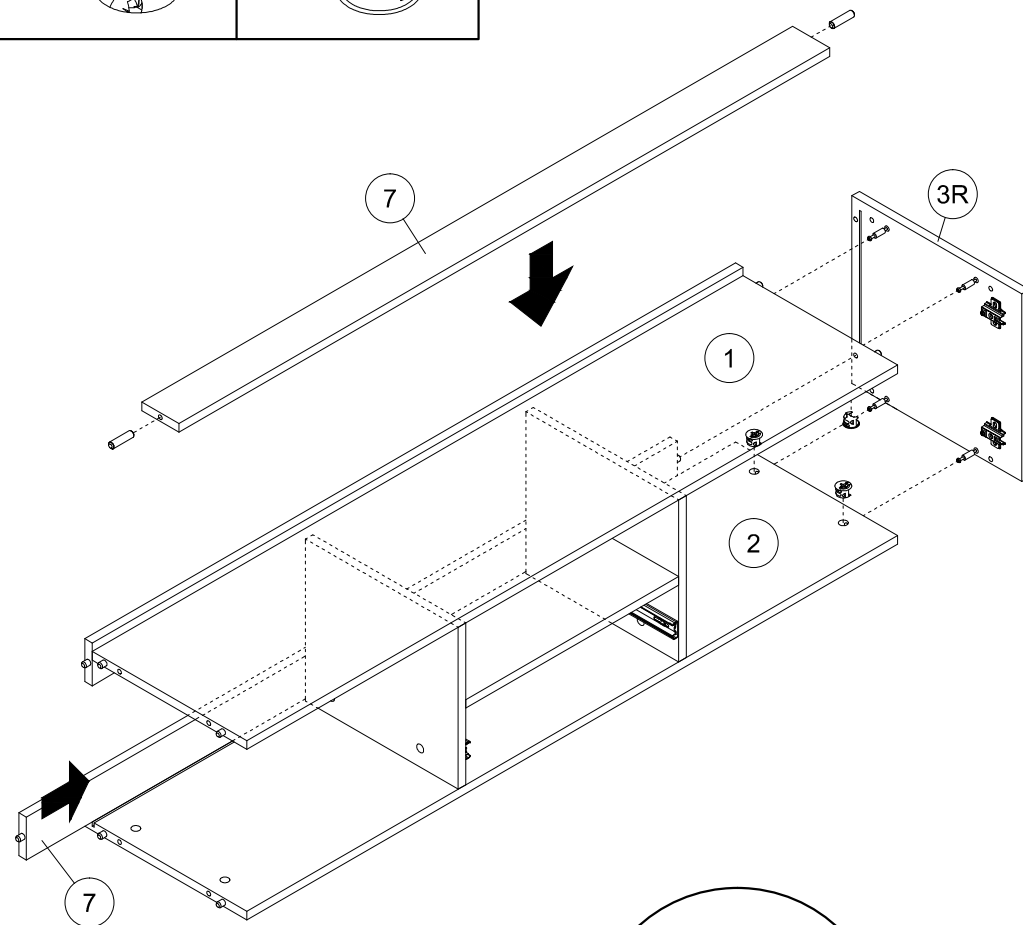
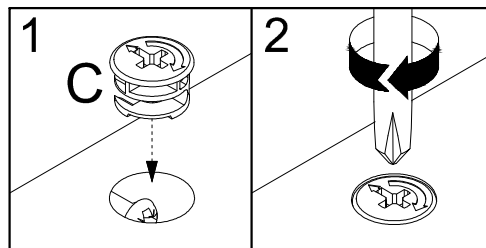
6



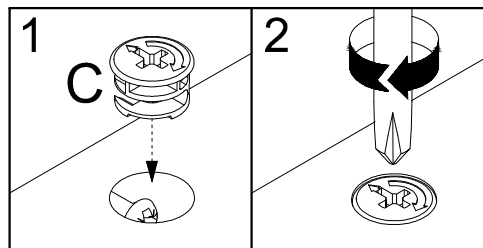
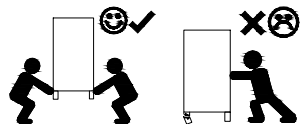
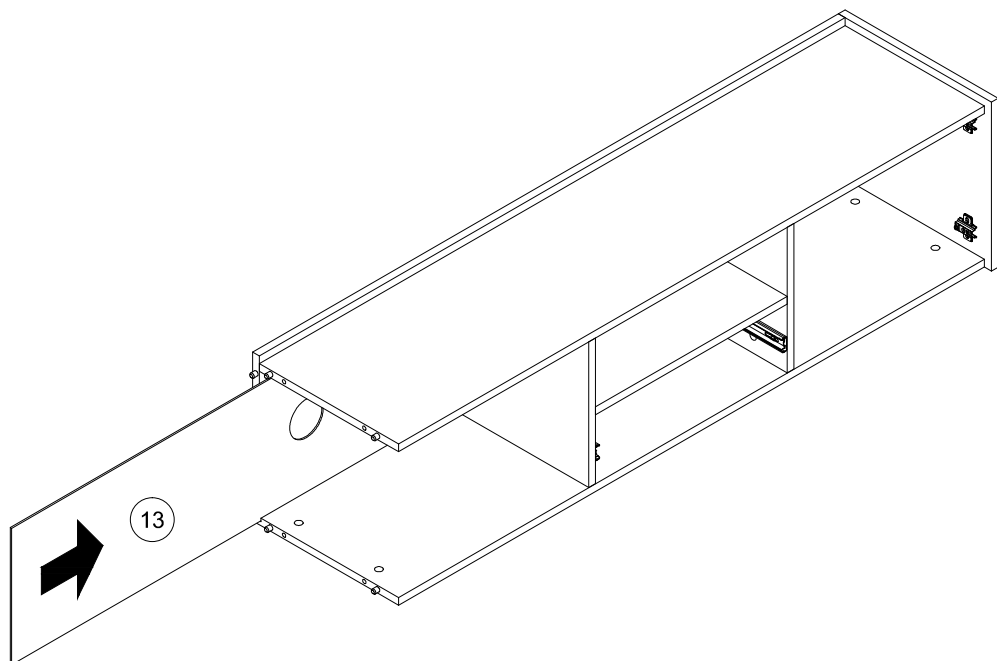
7



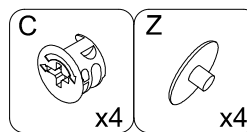
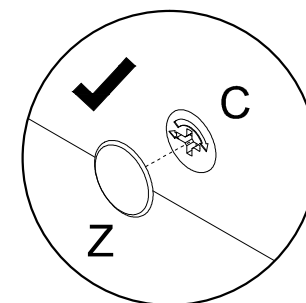
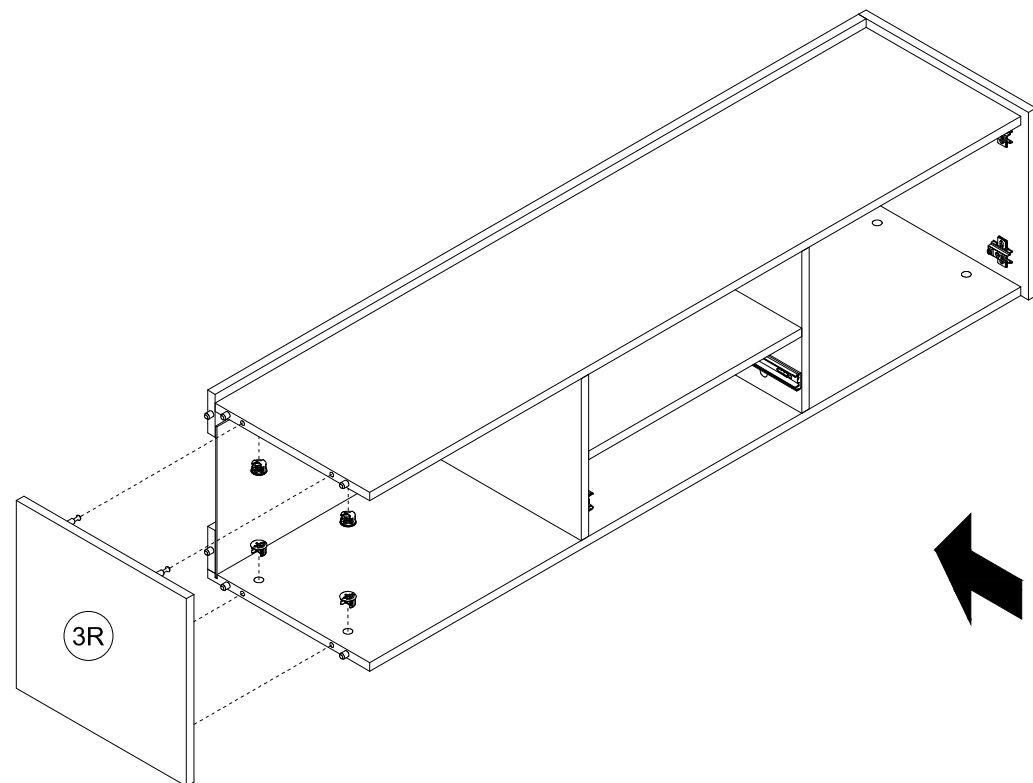
8



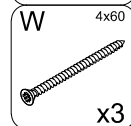
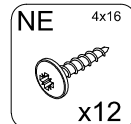
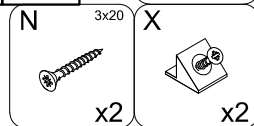
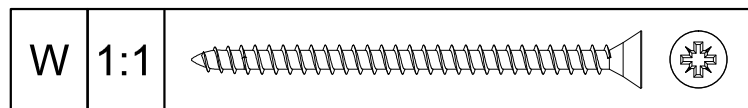
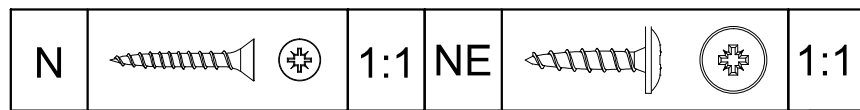
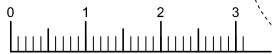
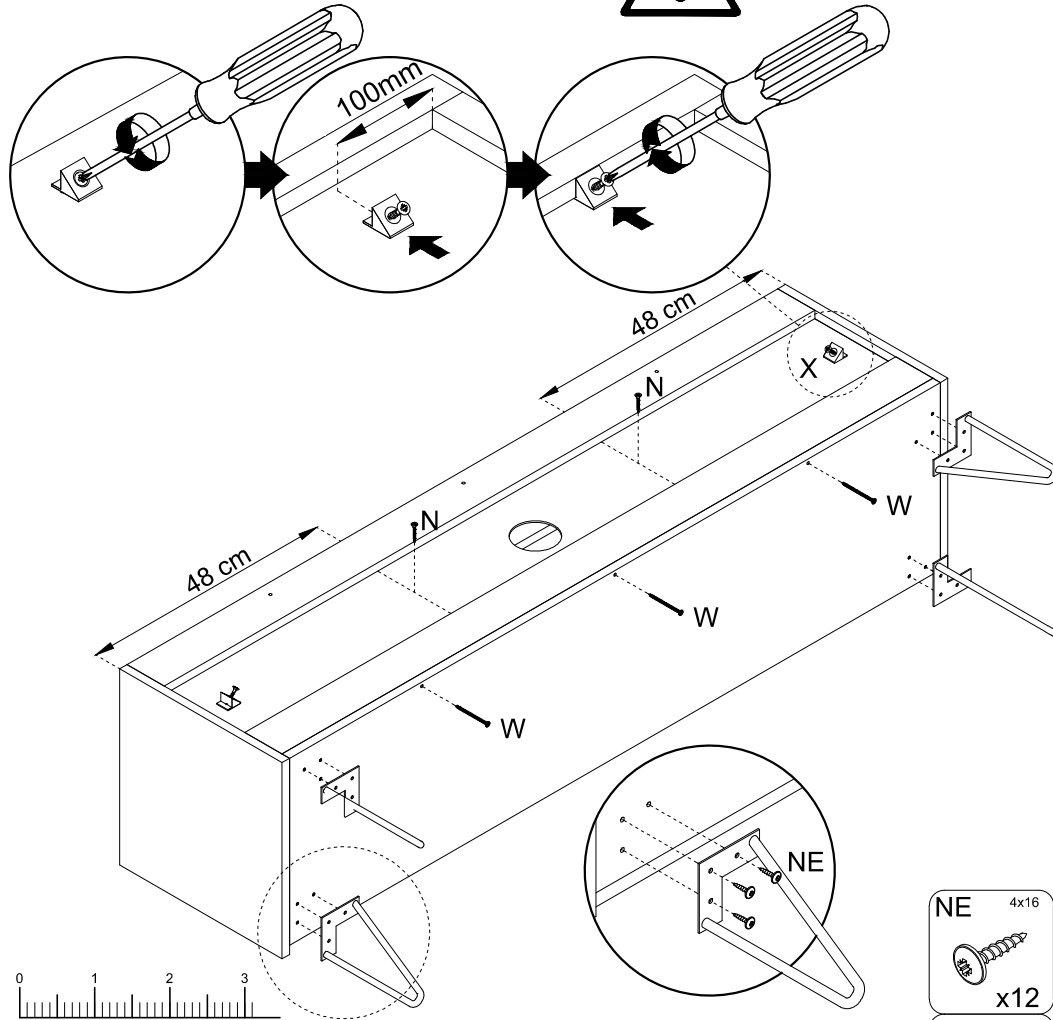
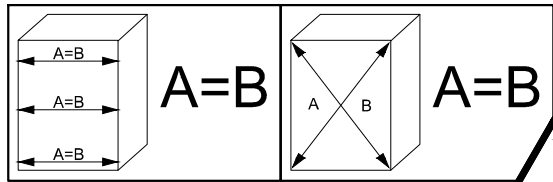
9



10



11



12

