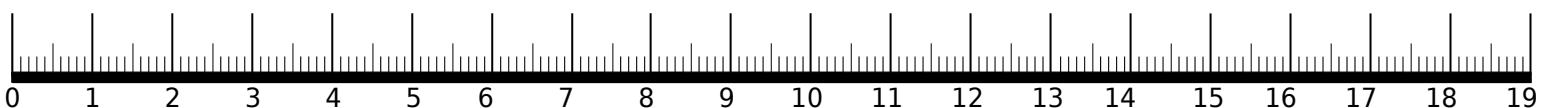
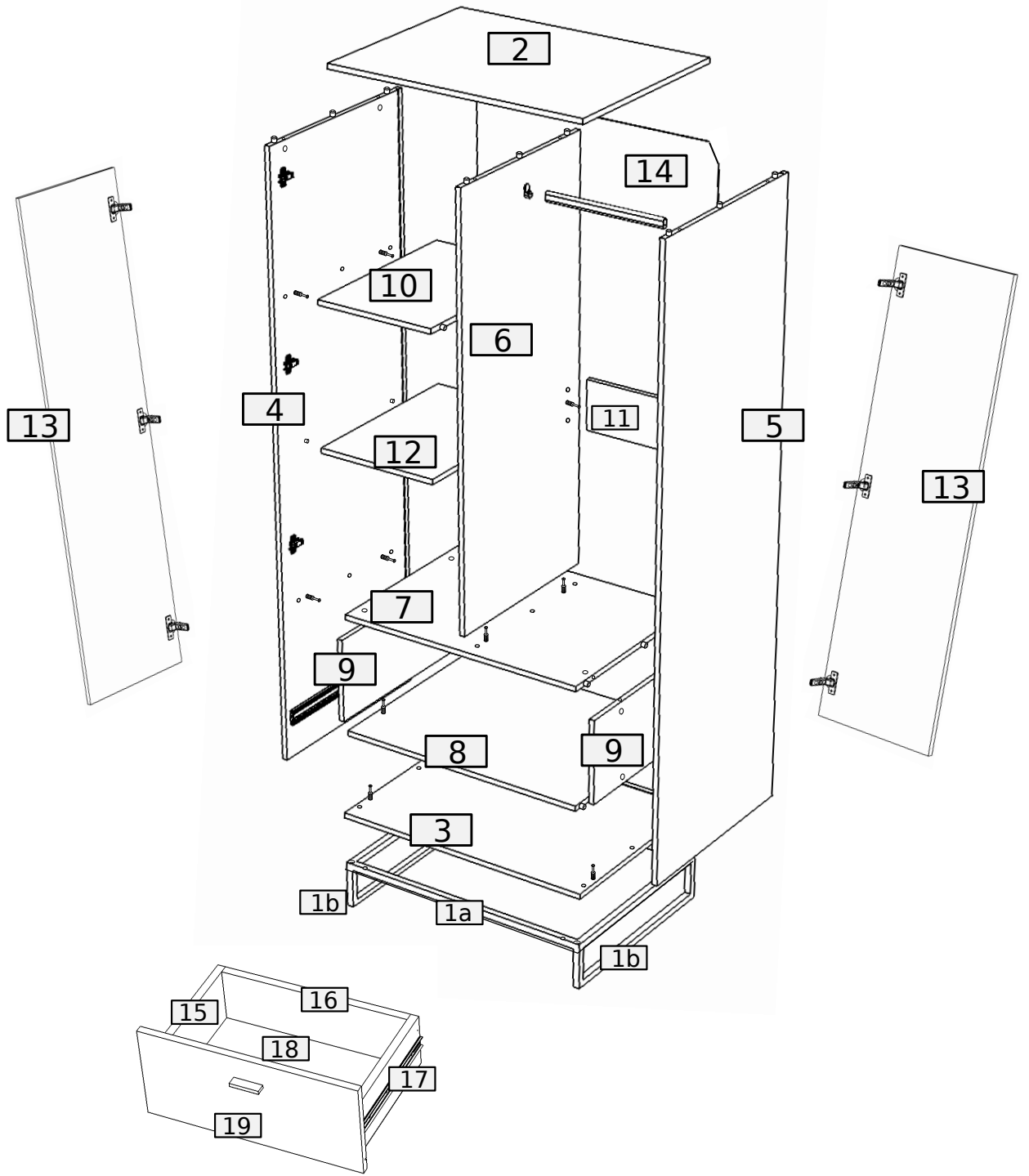


| | | | | | |
|----|-------|--------------|-------------|-----------|----|
| 38 | 38 | 48 | 22 | 1 | 1 |
| | | | | | |
| B | A | 8.0x35 | D 3.5x16 W2 | L-368 | KS |
| | | | | | |
| X | L-500 | PK 3.0x20 W1 | 3.5x25 W10 | N2 3.5x16 | W4 |
| 22 | 1 | 5 | 6 | 2 | 1 |

| | | | |
|----|----|----|----|
| 12 | 14 | 6 | 4 |
| | | | |
| G | I | PZ | G4 |
| | | | |
| Z | UO | S3 | |
| 6 | 3 | 4 | |

| | |
|------------|----|
| | 1 |
| | |
| | U1 |
| | |
| 4.0x35 W11 | US |
| 4 | 4 |

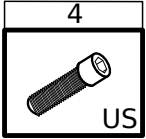
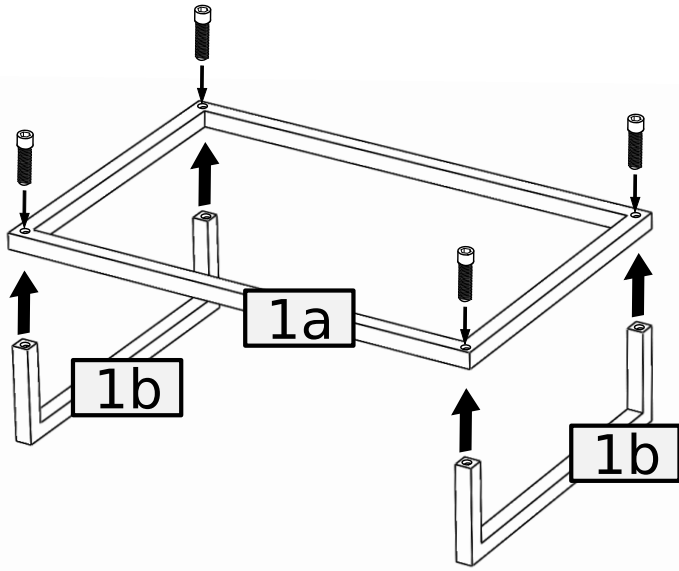




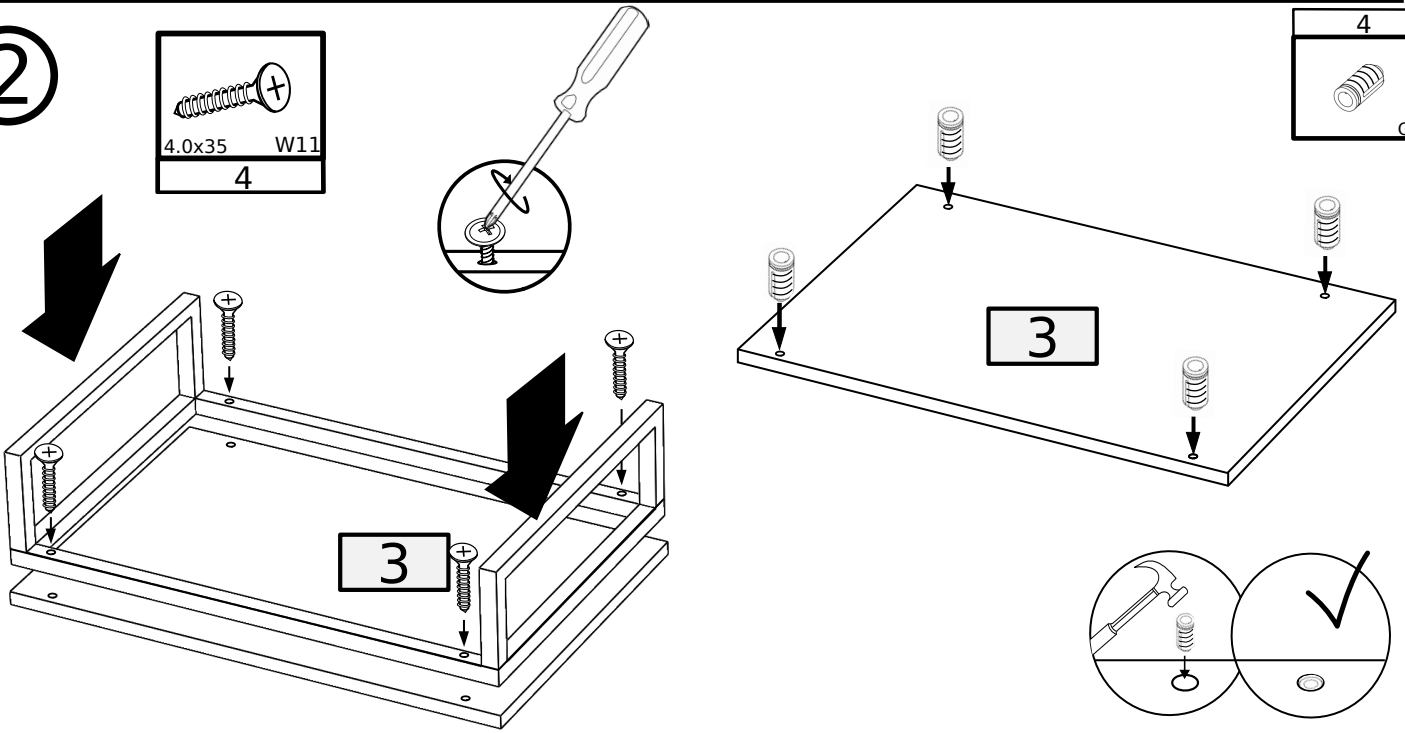
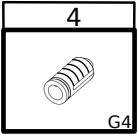
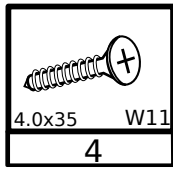
| No. | Pcs. | L | W | D | Pac |
|-----|------|------|-----|----|-----|
| 1a | 1 | 795 | 595 | 20 | 3/3 |
| 1b | 2 | 595 | 140 | 20 | 3/3 |
| 2 | 1 | 800 | 600 | 16 | 3/3 |
| 3 | 1 | 800 | 600 | 16 | 3/3 |
| 4 | 1 | 1848 | 598 | 16 | 1/3 |
| 5 | 1 | 1848 | 598 | 16 | 1/3 |
| 6 | 1 | 1293 | 558 | 16 | 1/3 |
| 7 | 1 | 766 | 577 | 16 | 3/3 |
| 8 | 1 | 766 | 577 | 16 | 3/3 |
| 9 | 2 | 576 | 254 | 16 | 1/3 |

| No. | Pcs. | L | W | D | Pac |
|-----|------|------|-----|----|-----|
| 10 | 1 | 549 | 375 | 16 | 2/3 |
| 11 | 1 | 375 | 150 | 16 | 2/3 |
| 12 | 1 | 549 | 375 | 16 | 2/3 |
| 13 | 2 | 1287 | 380 | 16 | 2/3 |
| 14 | 1 | 1862 | 780 | 3 | 1/3 |
| 15 | 1 | 520 | 200 | 16 | 2/3 |
| 16 | 1 | 708 | 182 | 16 | 2/3 |
| 17 | 1 | 520 | 200 | 16 | 2/3 |
| 18 | 1 | 723 | 527 | 3 | 3/3 |
| 19 | 1 | 762 | 264 | 16 | 2/3 |

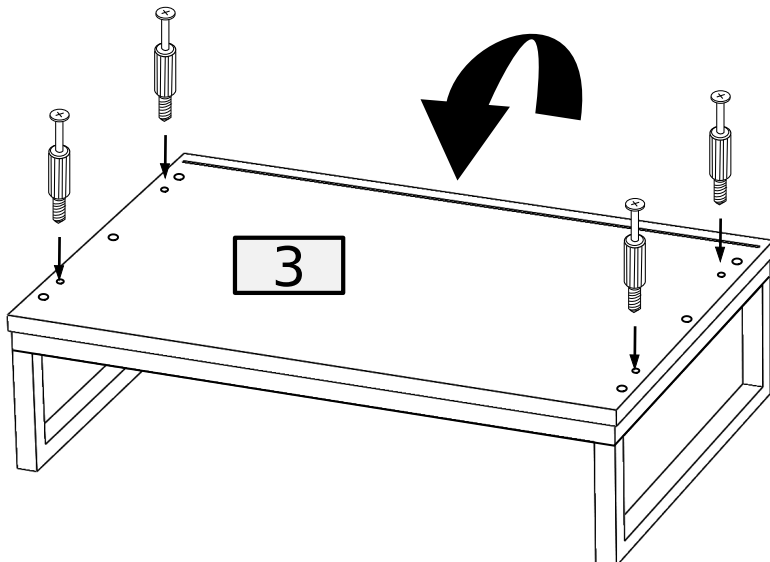
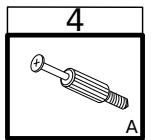
1



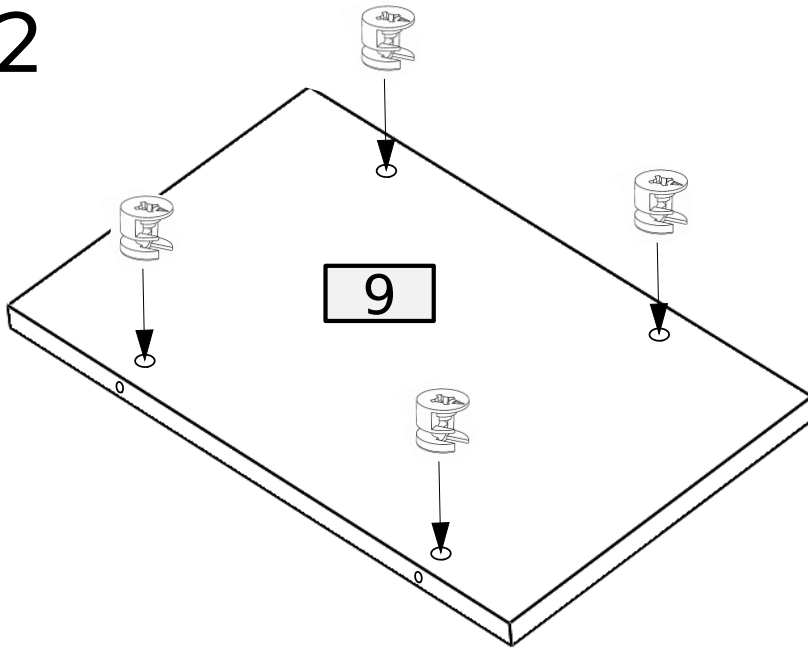
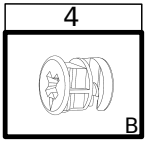
2



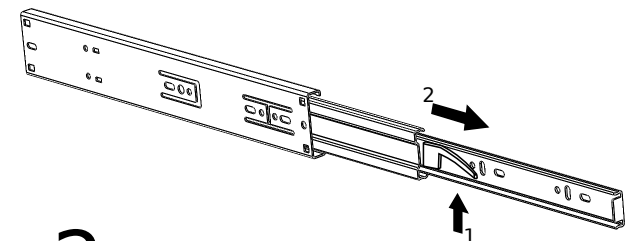
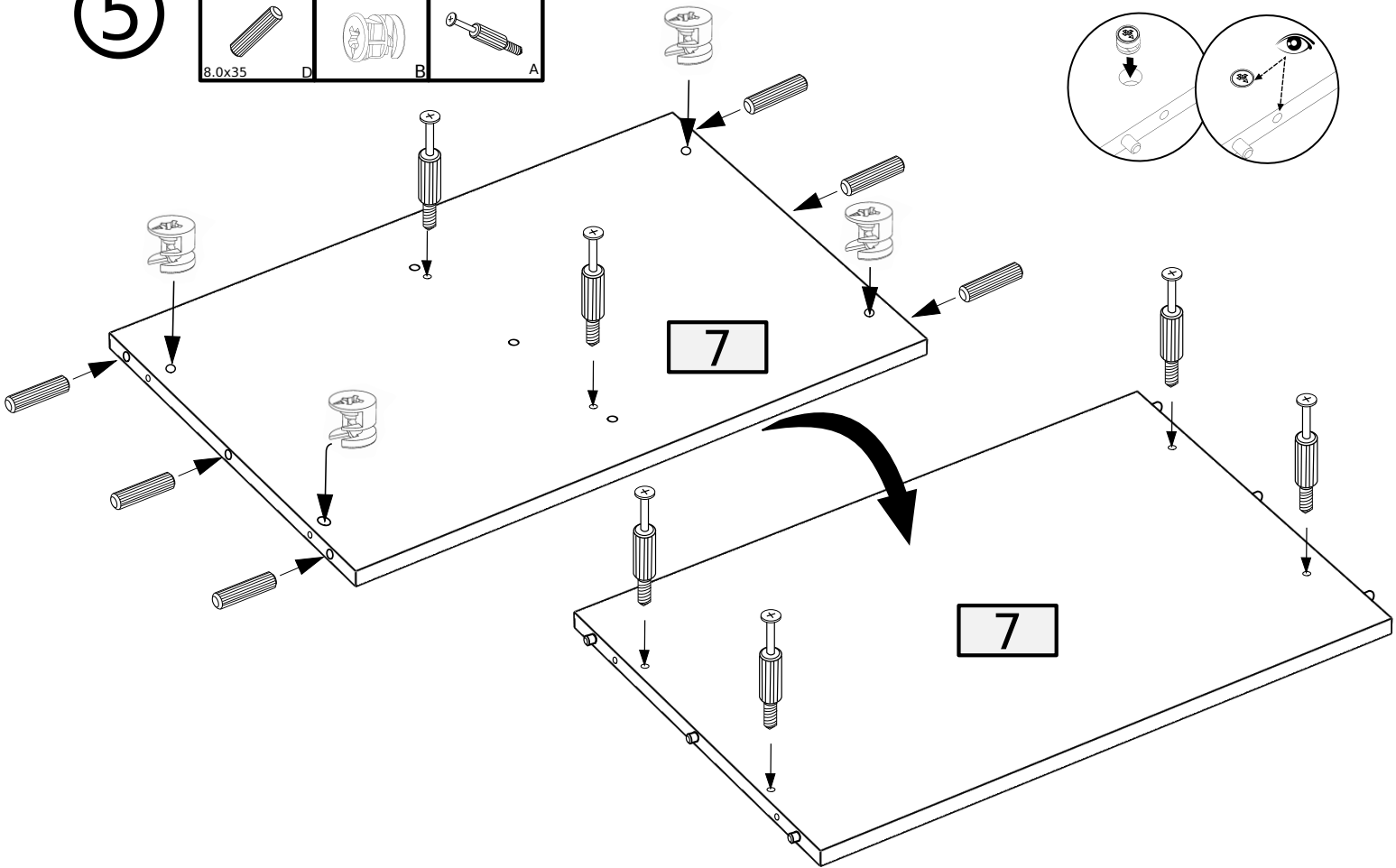
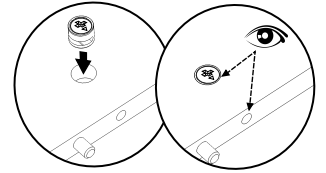
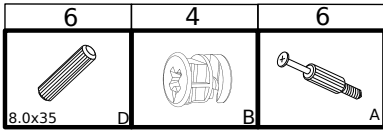
3



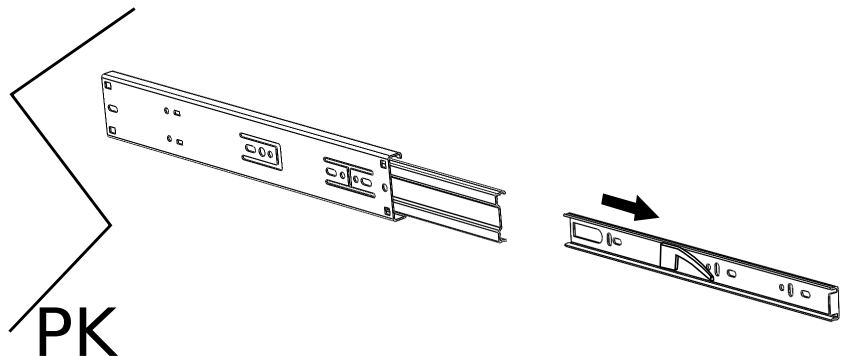
④ x2



⑤



x2

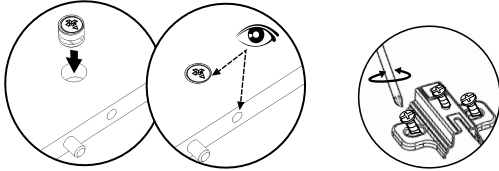


PK

6

| | | | | | | |
|--------|---|---|-----------|----|----|----|
| 6 | 4 | 6 | 2 | 1 | 2 | 3 |
| | | | | | | |
| 8.0x35 | D | A | 3.5x16 W2 | PK | S3 | PZ |

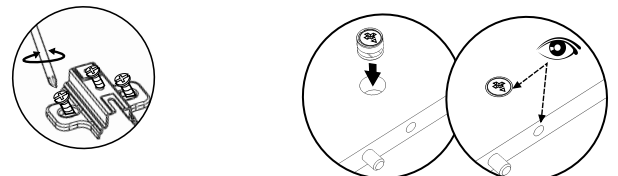
4



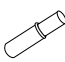


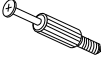
7

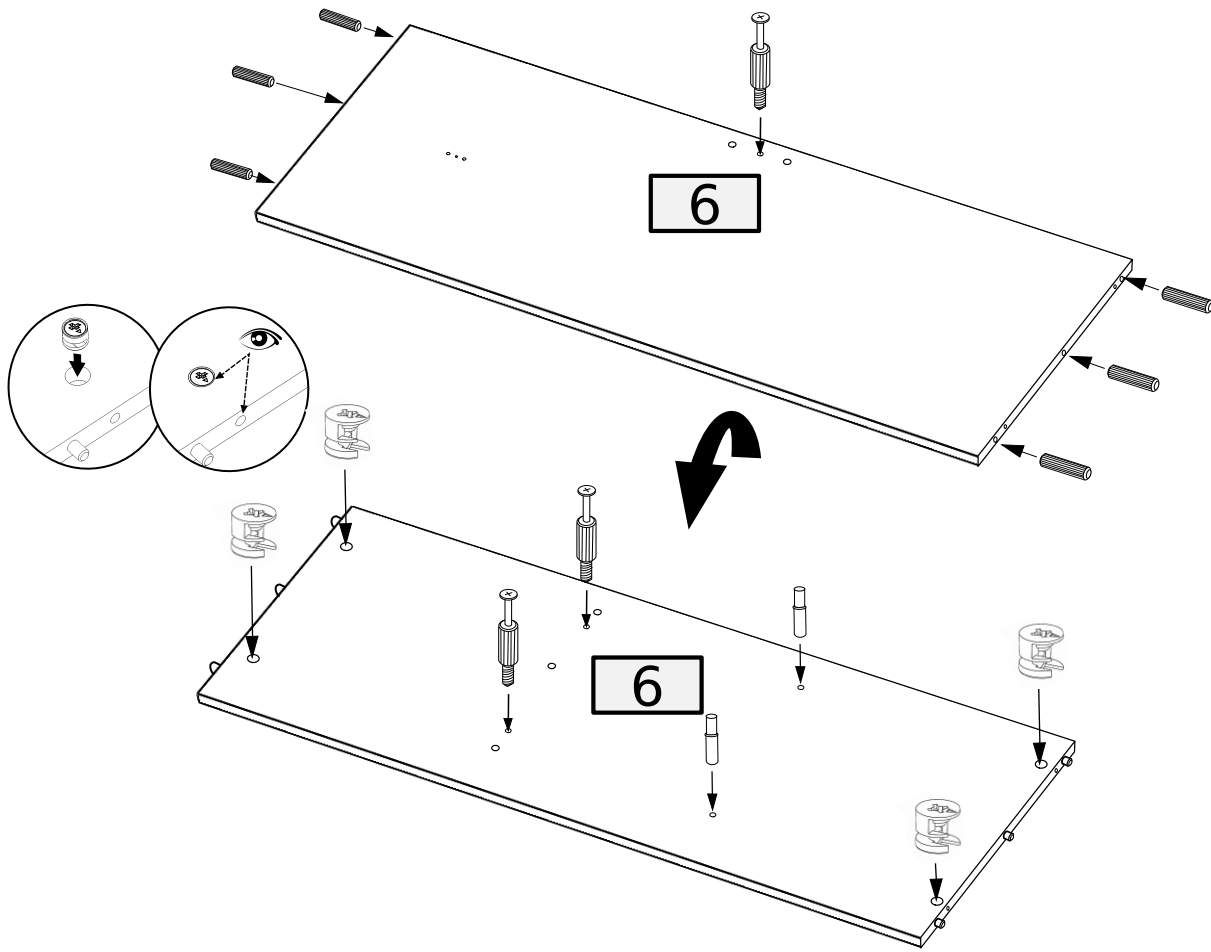
| | | | | | | |
|--------|---|---|-----------|----|----|----|
| 4 | 4 | 6 | 4 | 2 | 2 | 3 |
| | | | | | | |
| 8.0x35 | D | A | 3.5x16 W2 | PK | S3 | PZ |

5





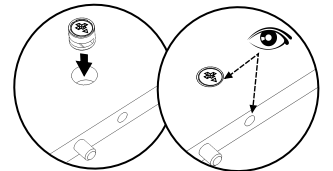
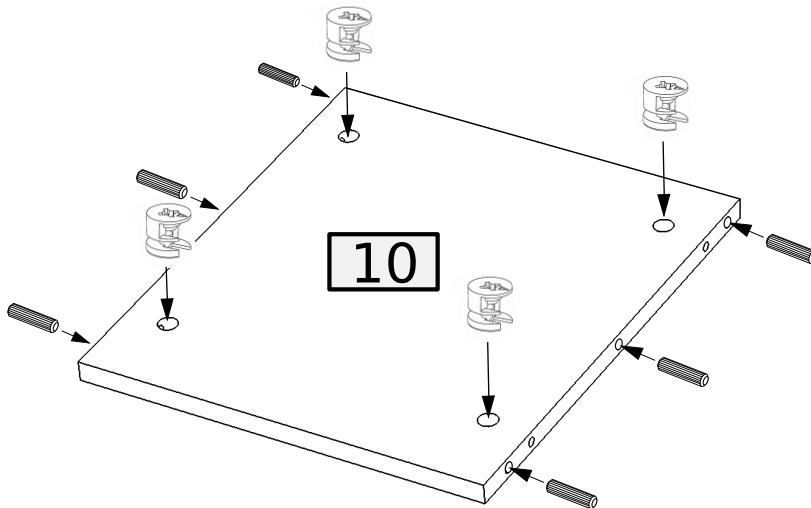
8

| | | | |
|--|---|---|---|
| 2 | 6 | 4 | 3 |
|  |  |  |  |
| S3 | 8.0x35 | D | B |
| | | | A |





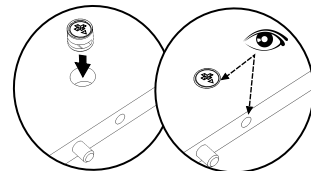
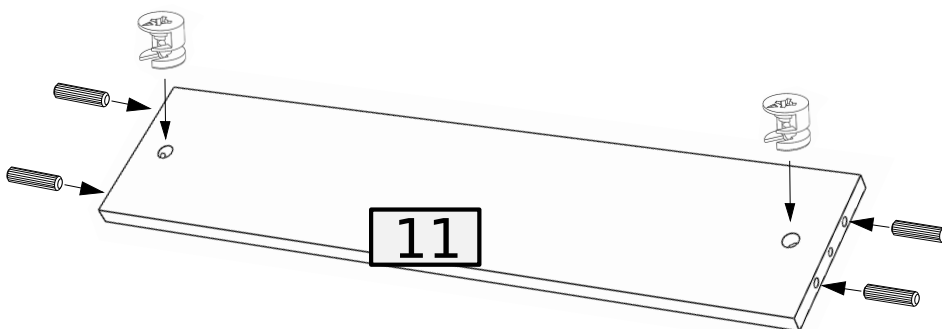
9

| | |
|---|---|
| 6 | 4 |
|  |  |
| 8.0x35 | D |
| | B |

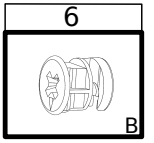
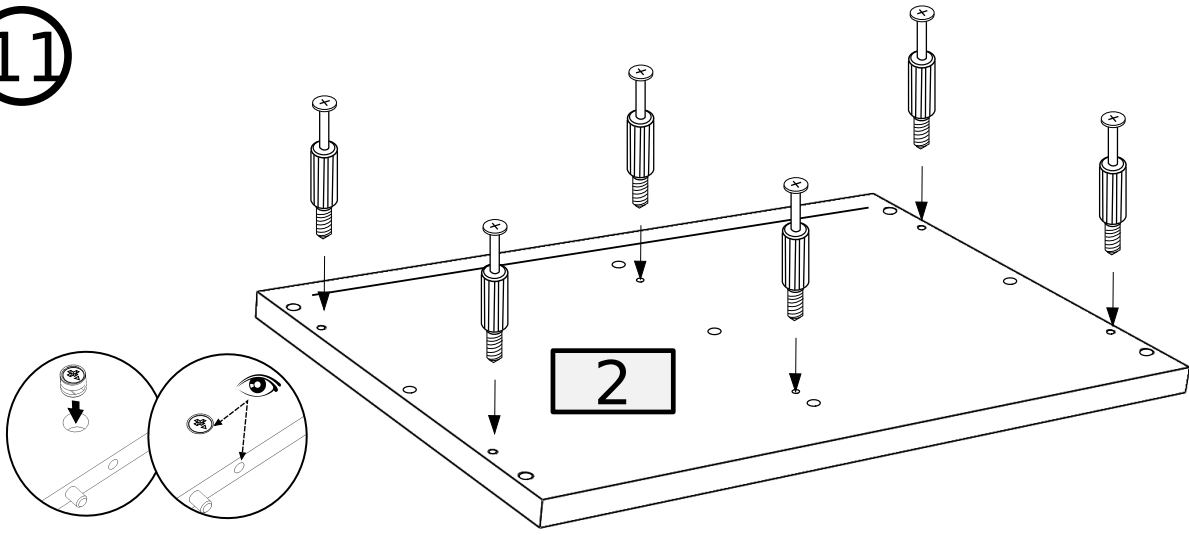


10

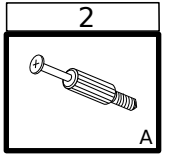
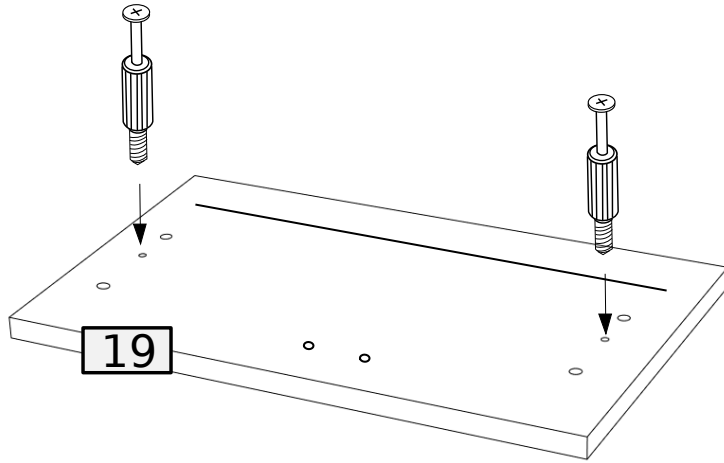
| | |
|---|---|
| 4 | 2 |
|  |  |
| 8.0x35 | D |
| | B |



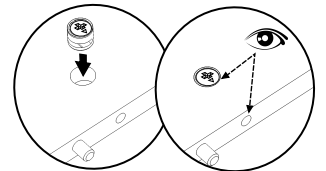
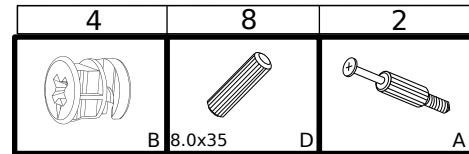
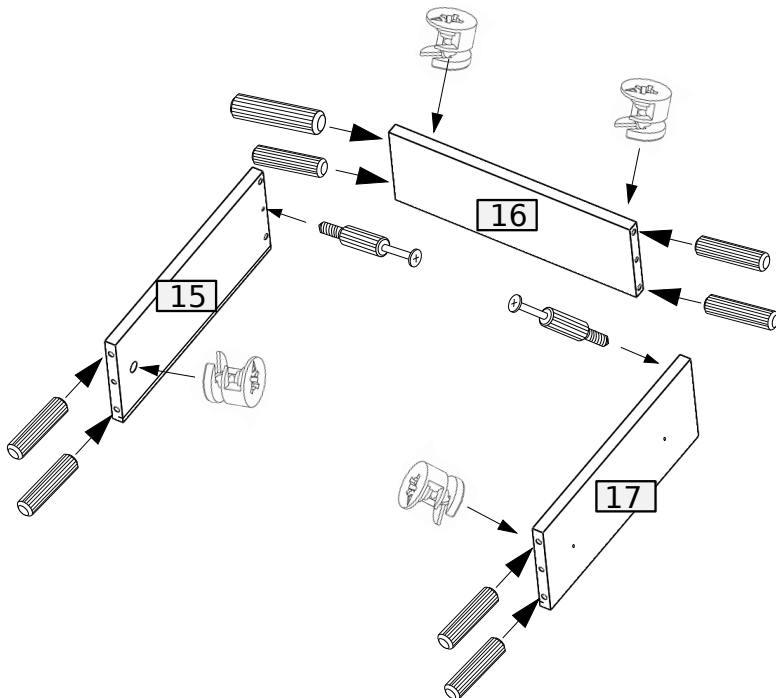
11



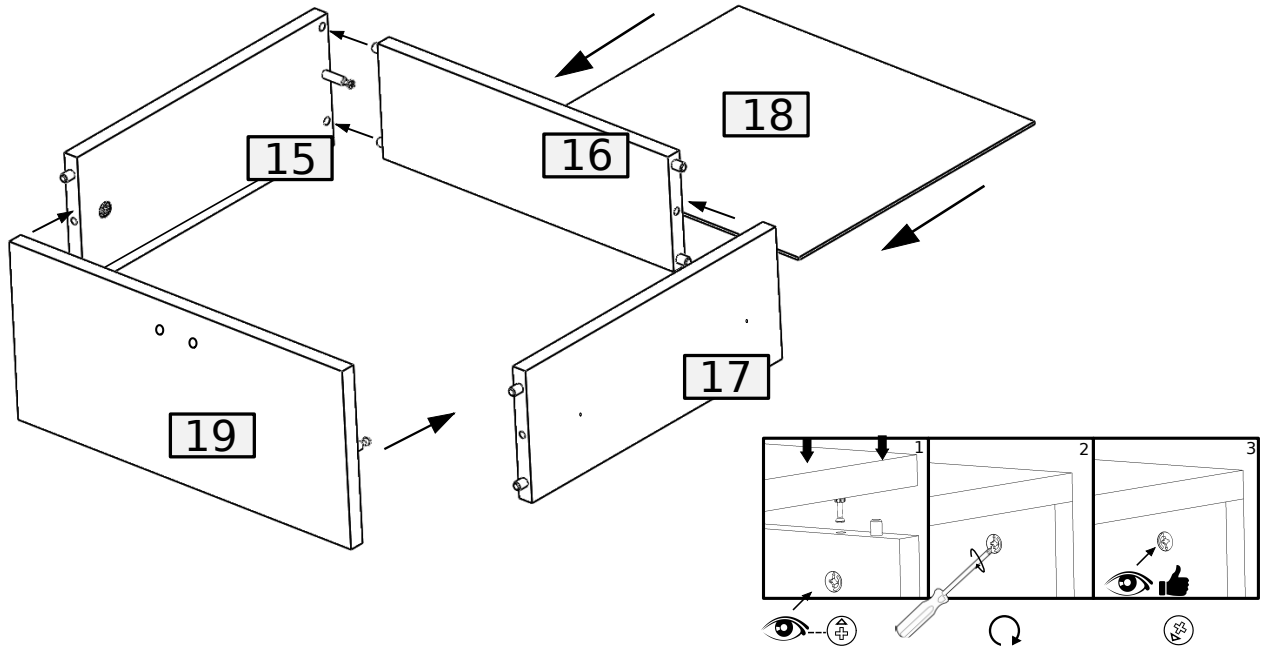
12



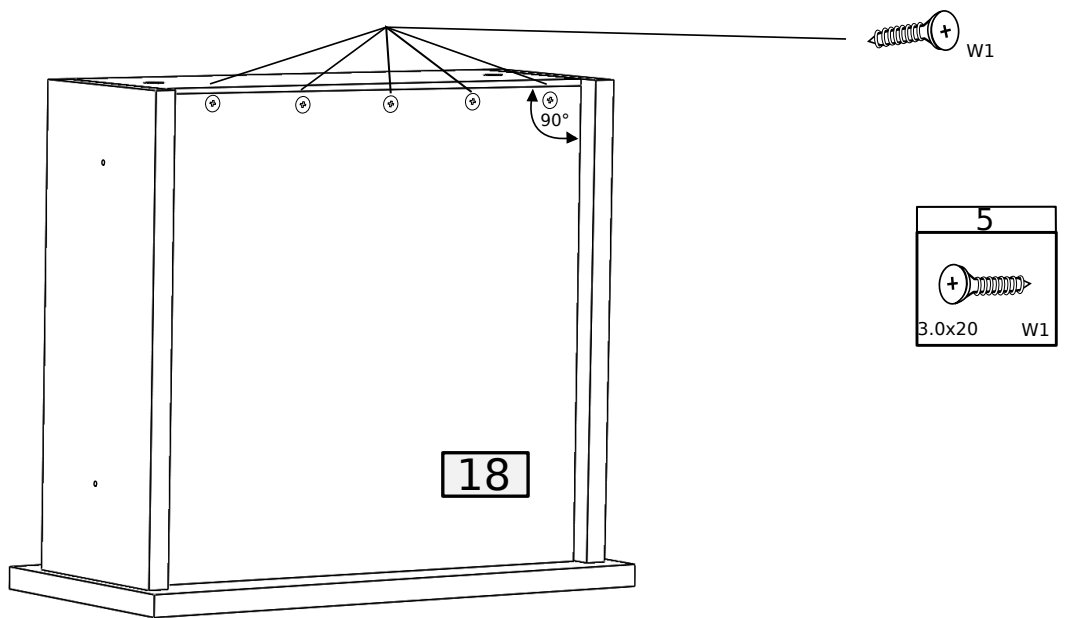
13



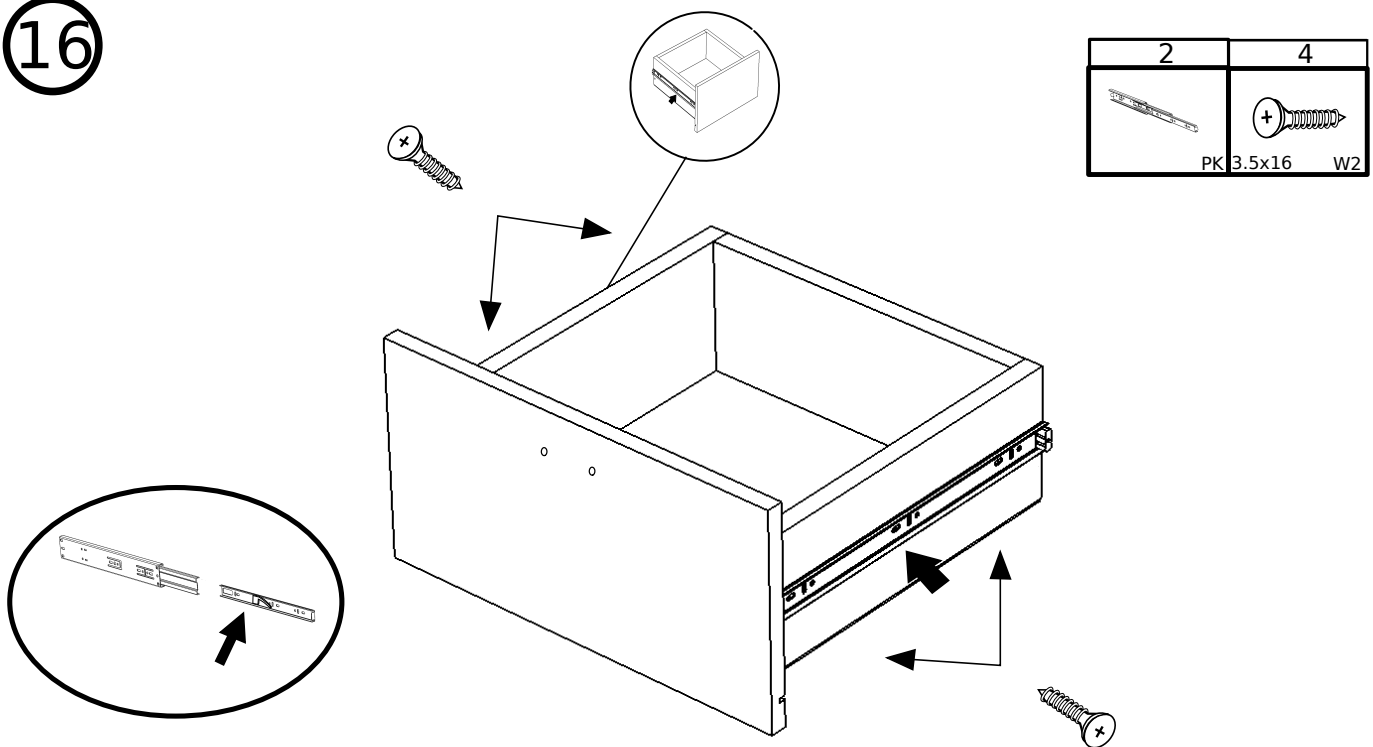
14



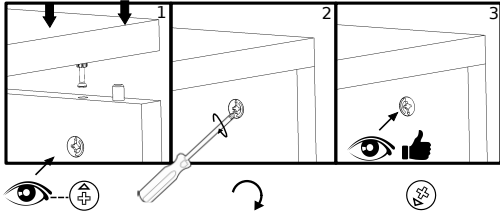
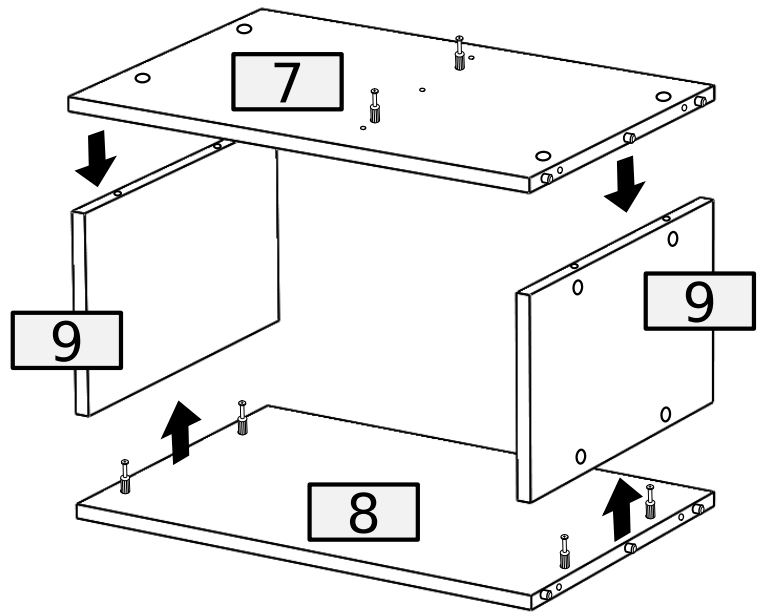
15



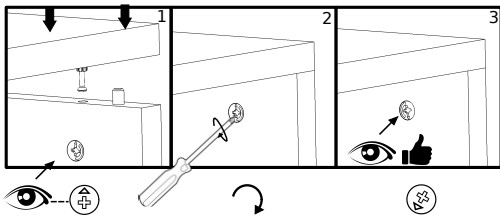
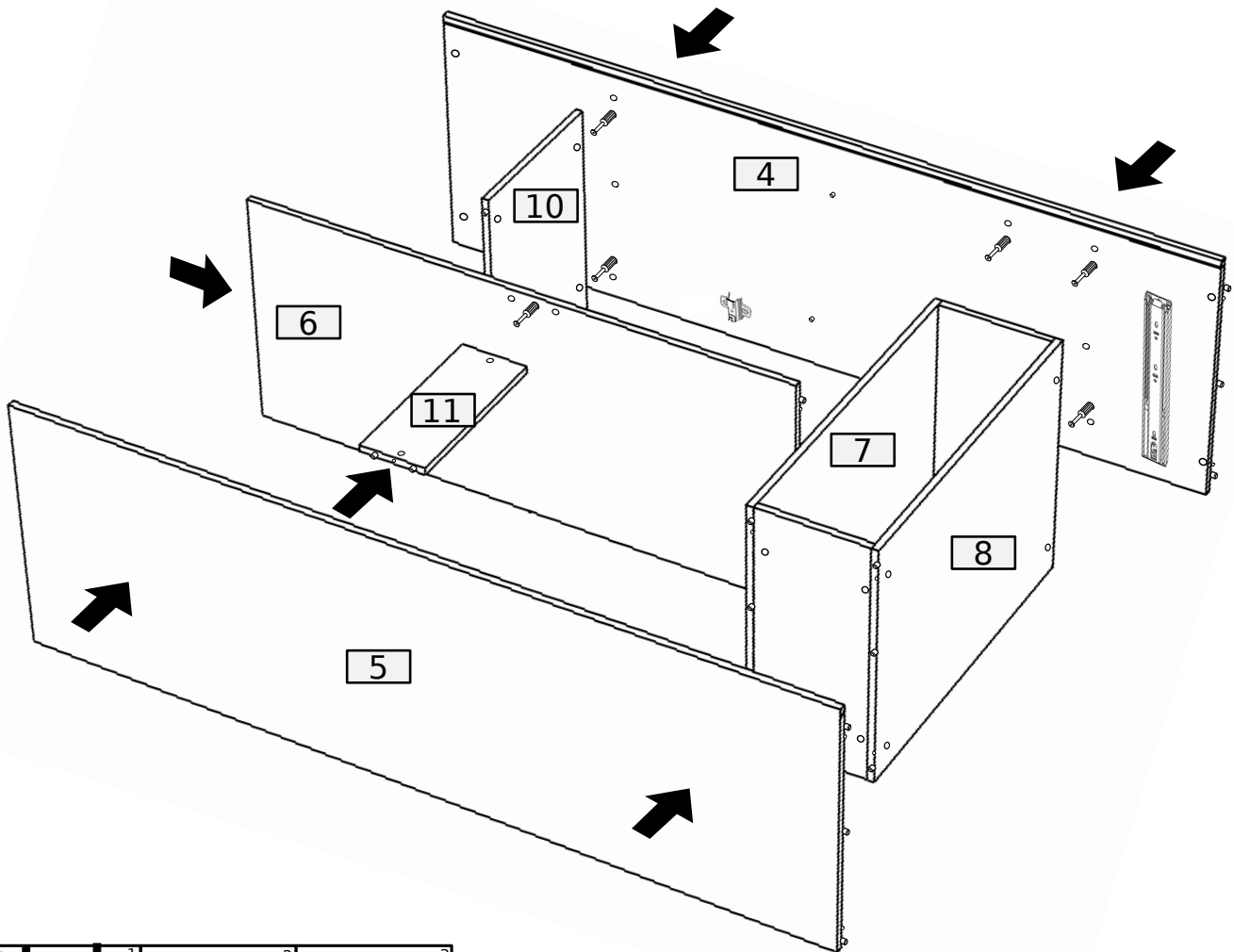
16



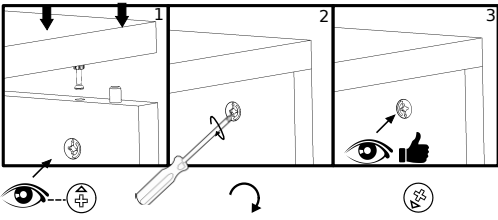
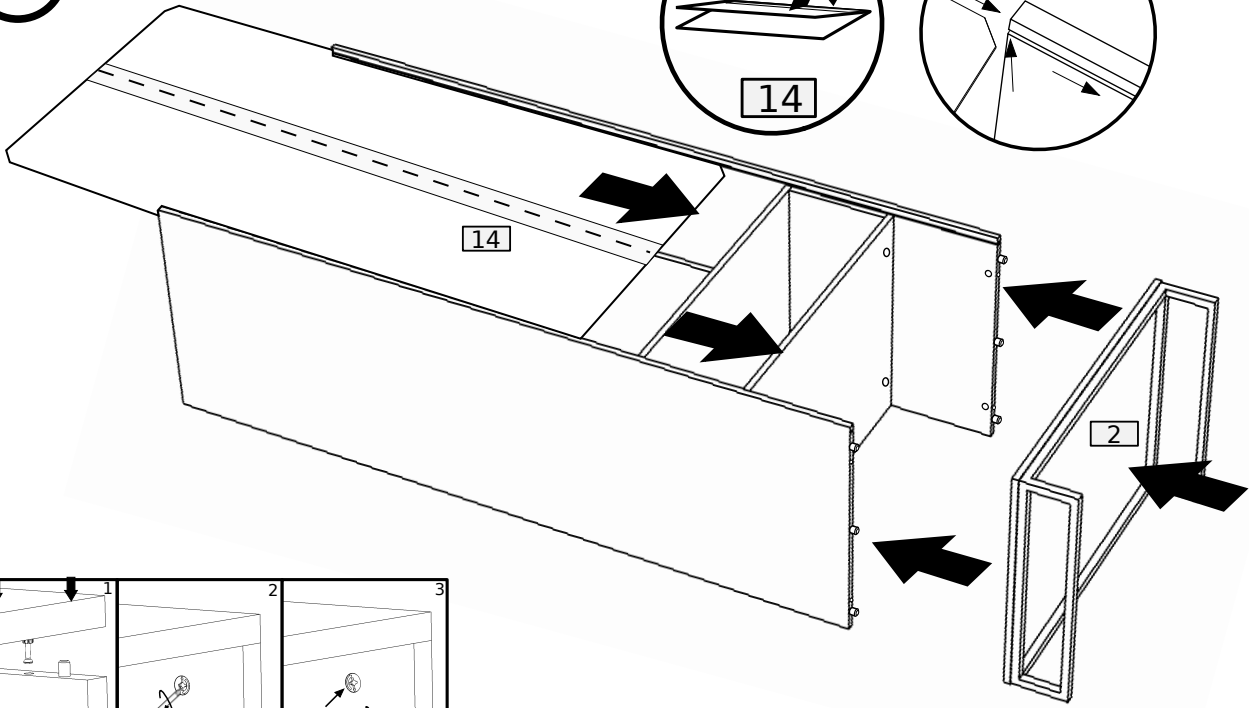
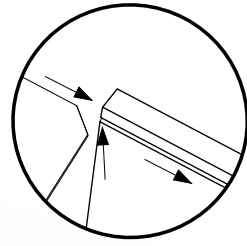
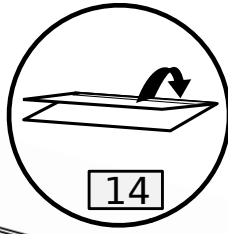
17



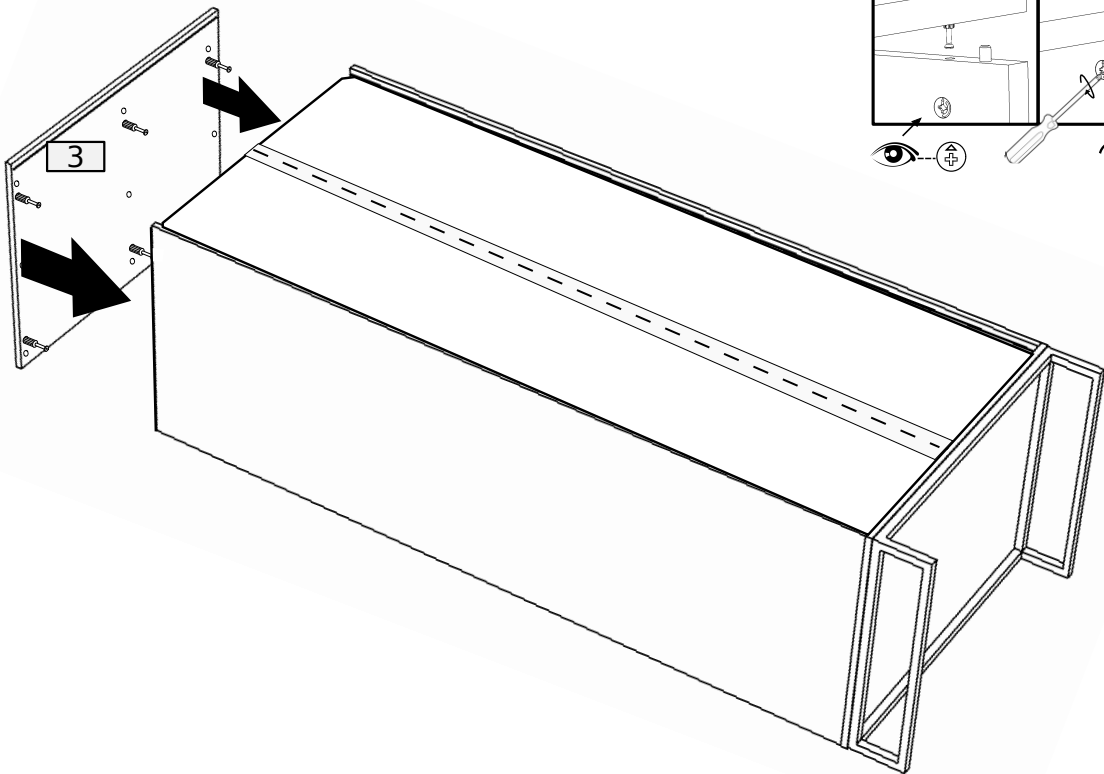
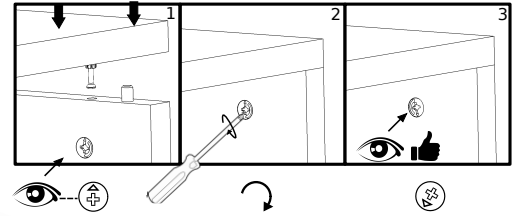
18



19



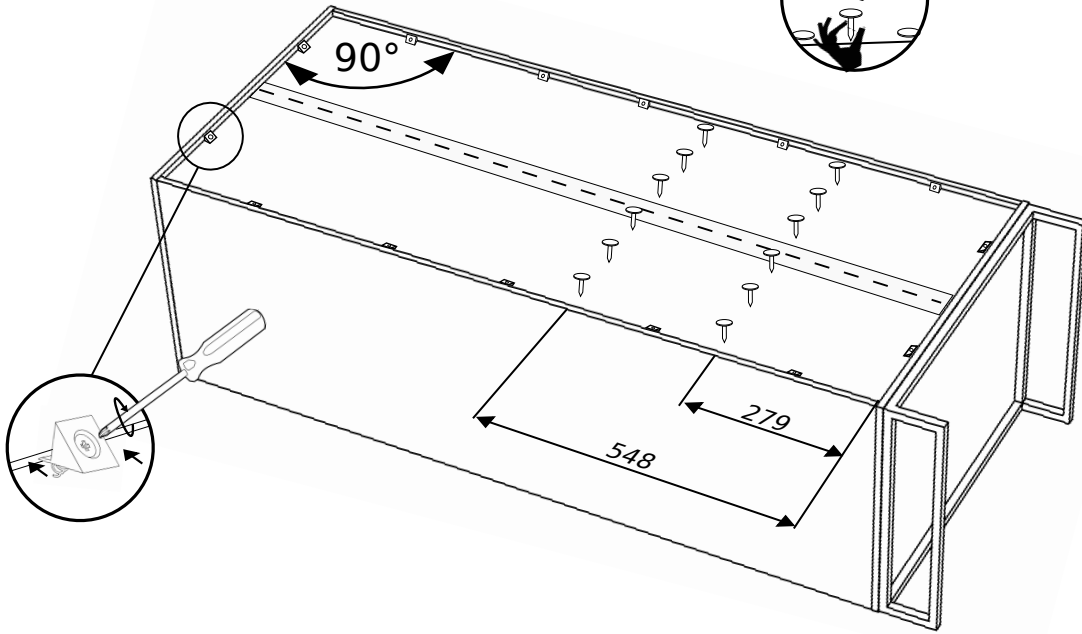
20



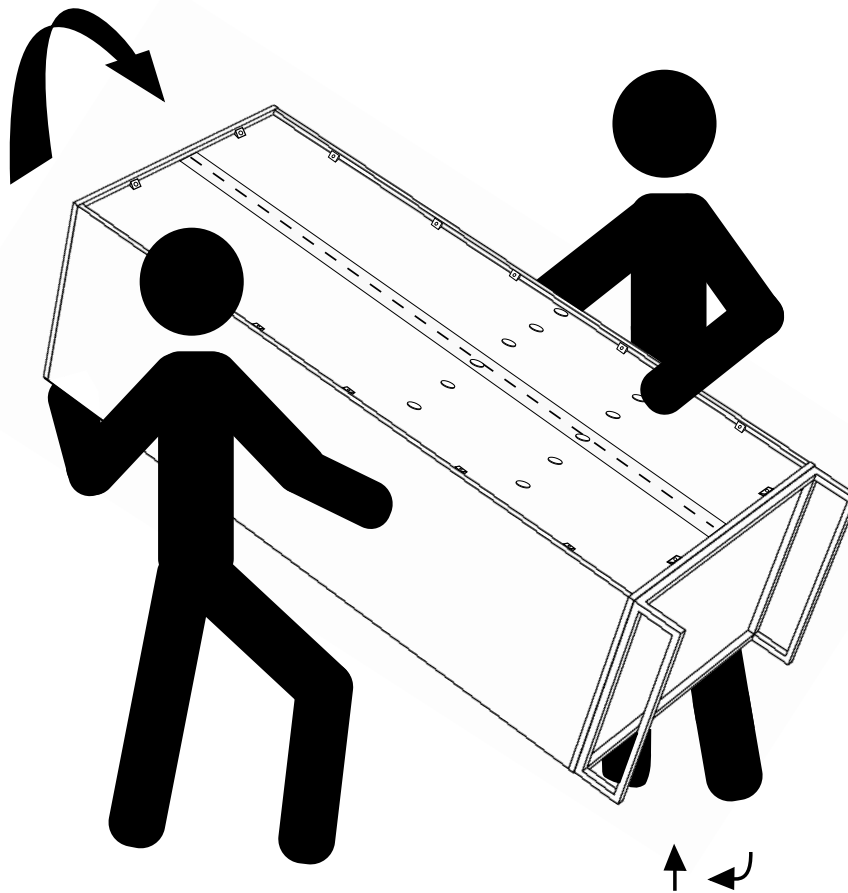
21



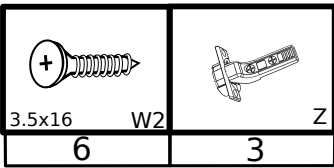
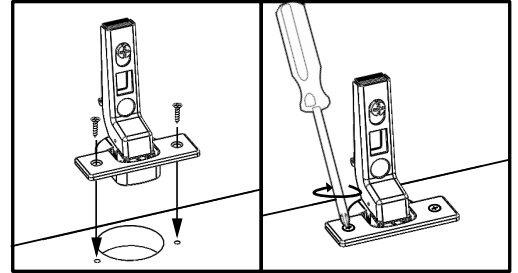
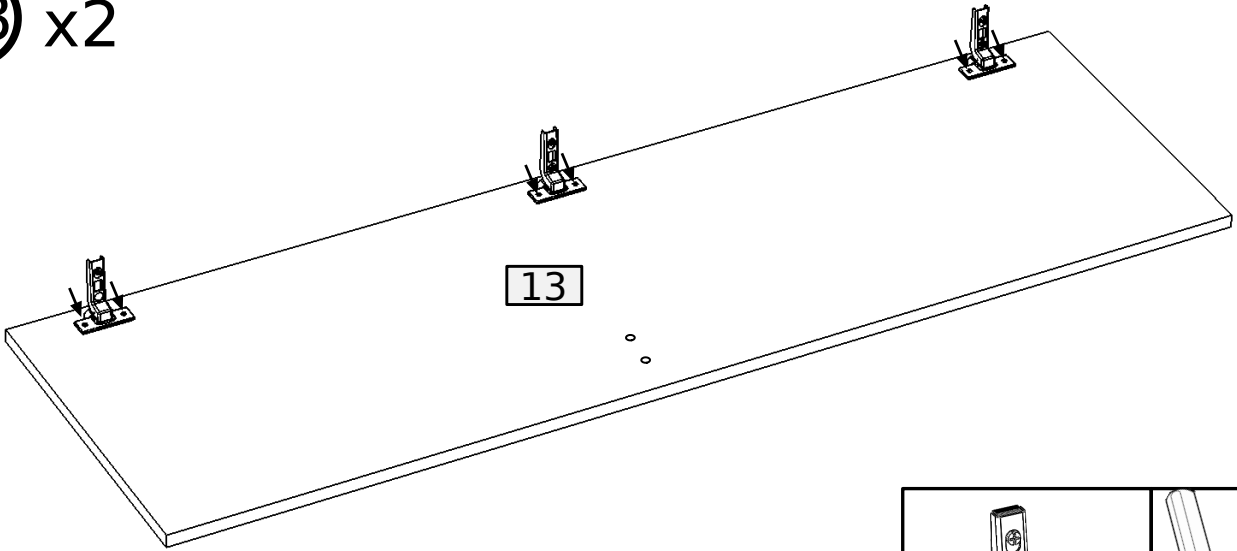
| | |
|----|----|
| 14 | 12 |
| | |



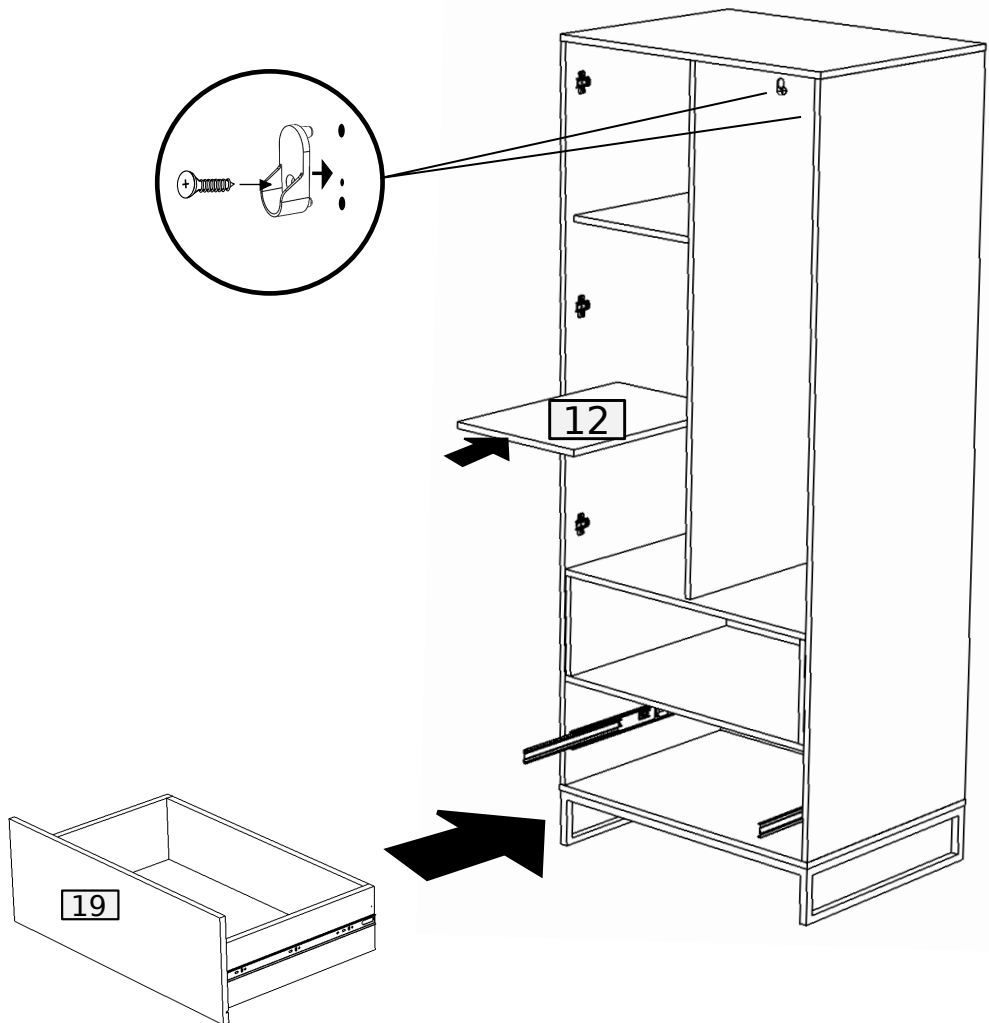
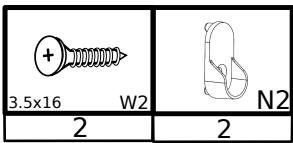
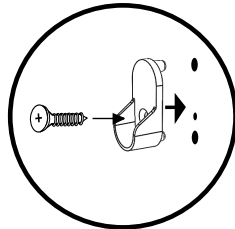
22



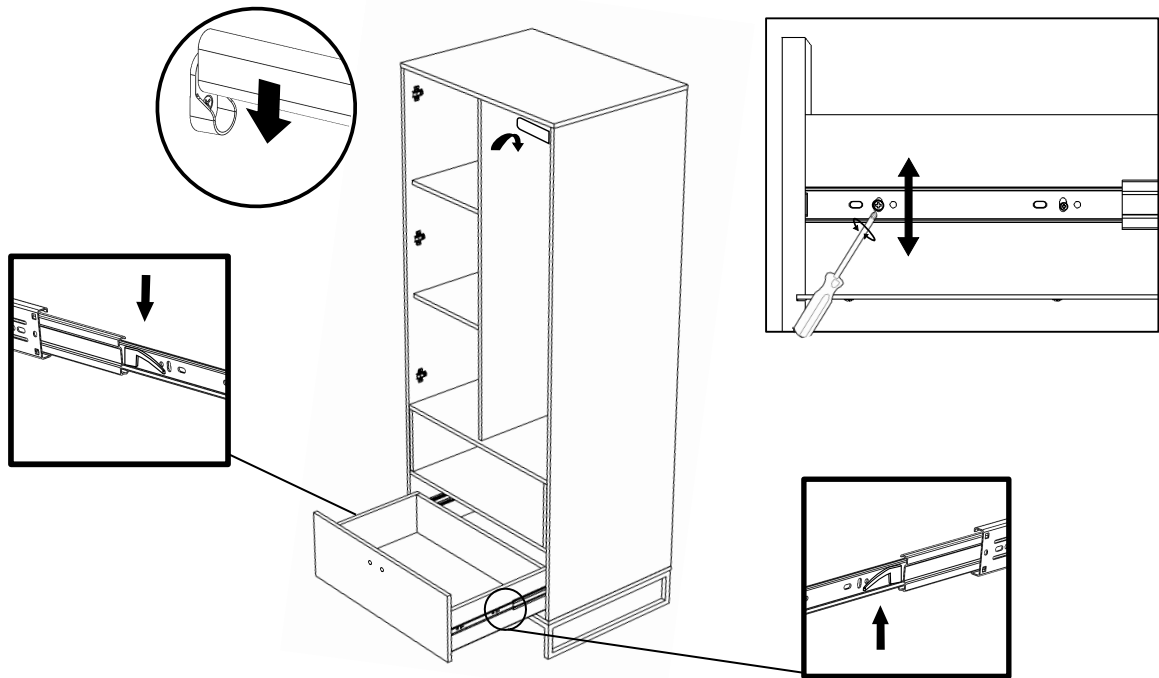
23 x2



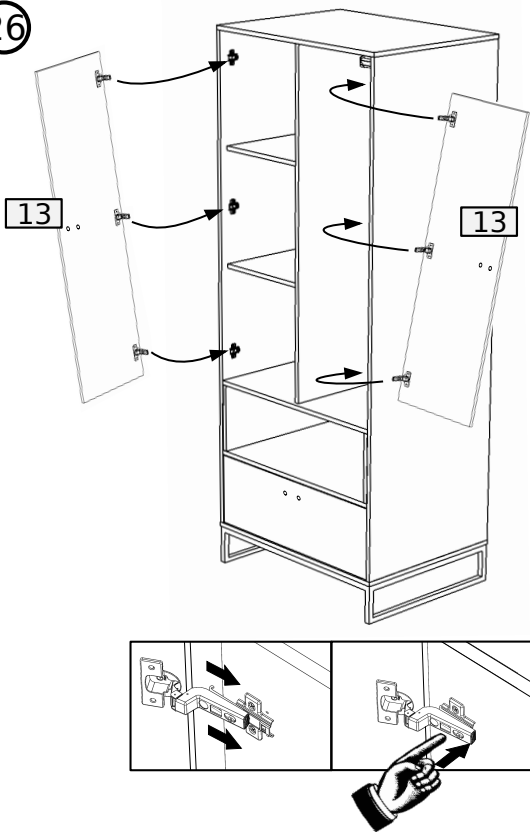
24



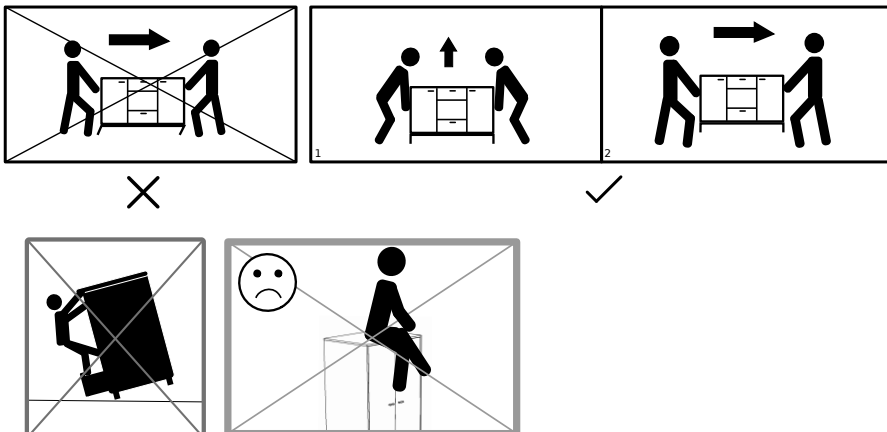
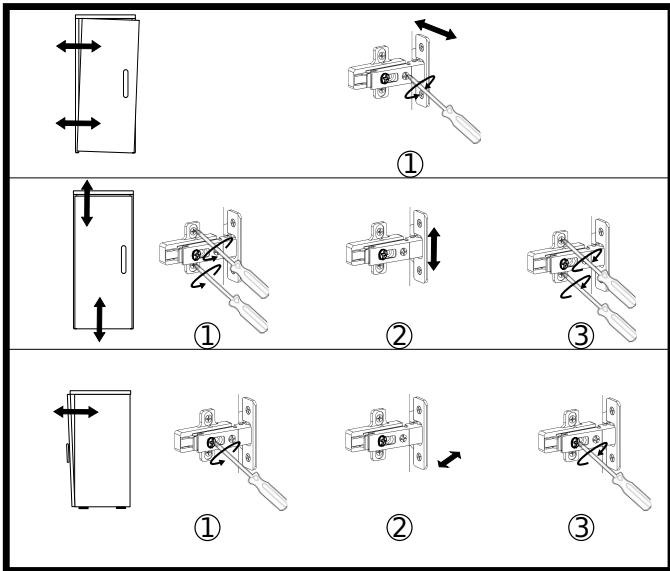
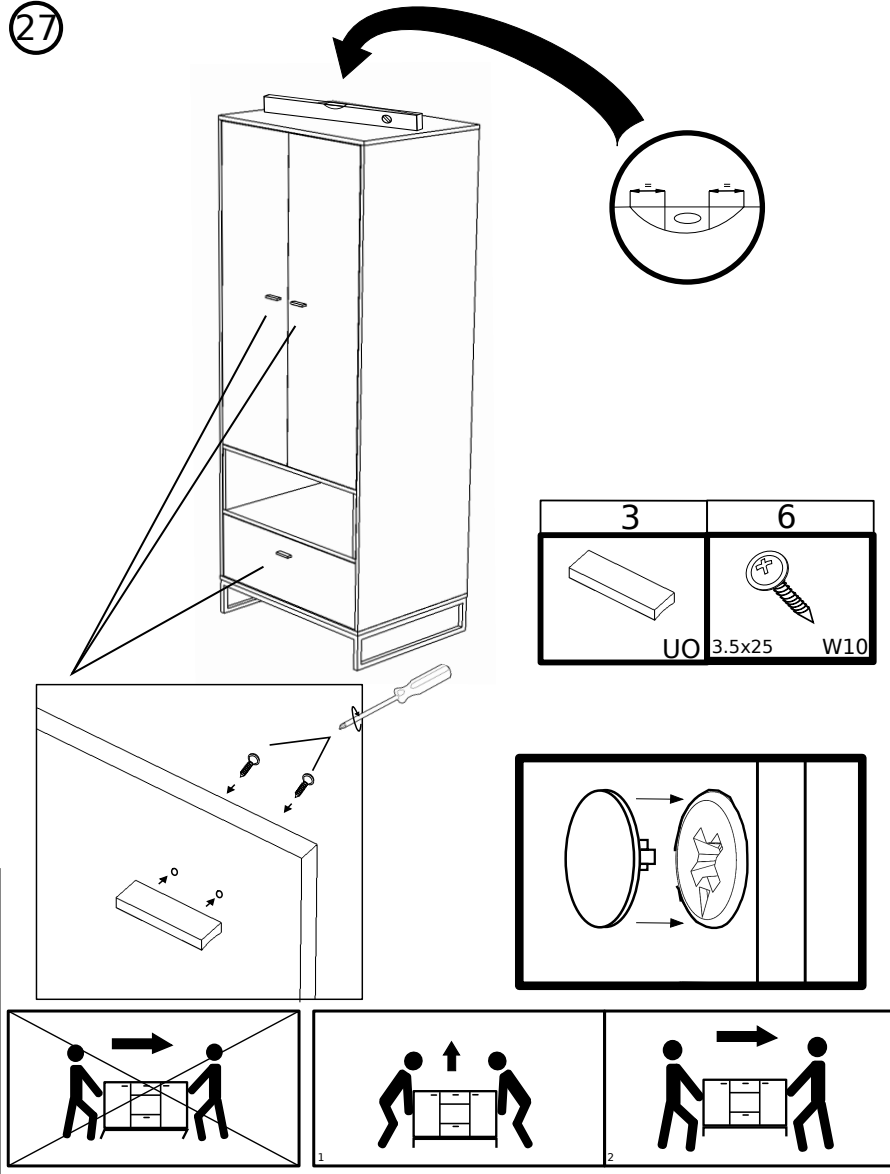
25

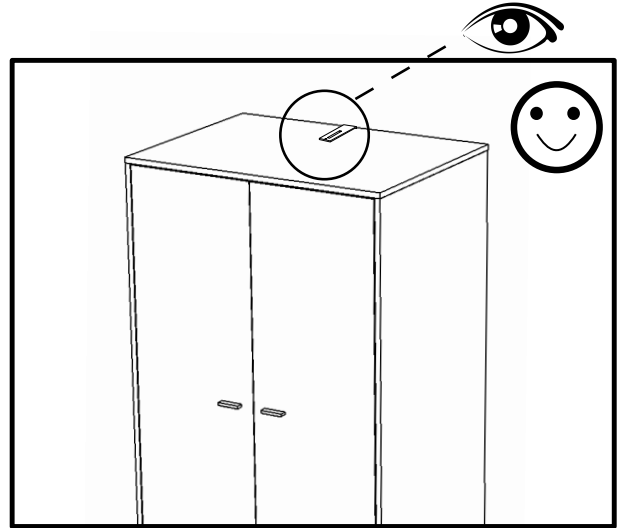
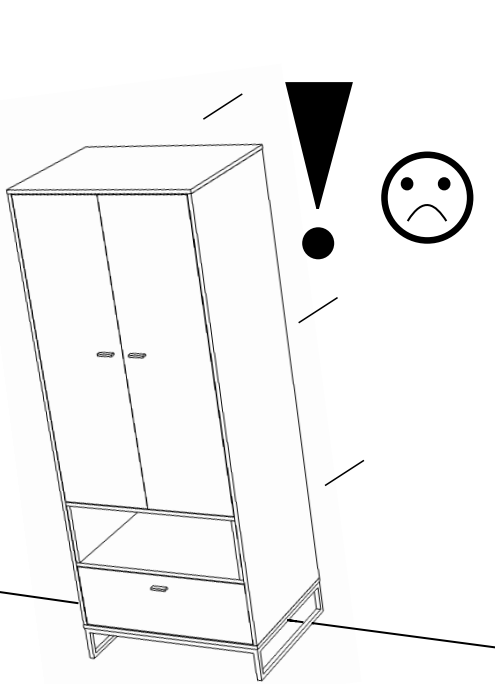


26



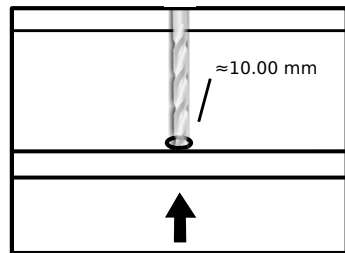
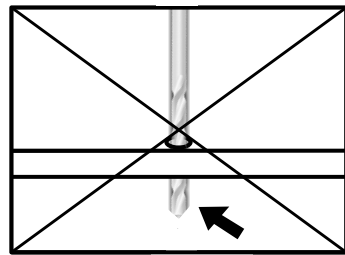
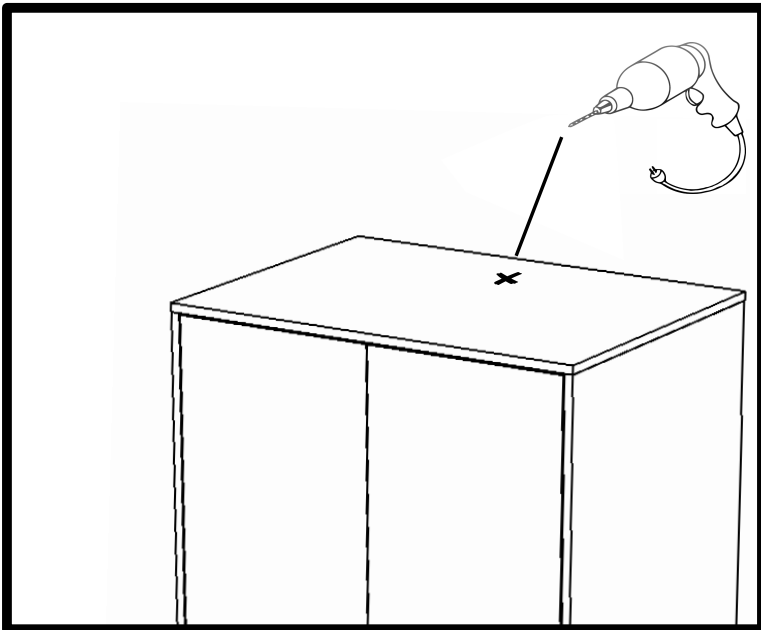
27





1

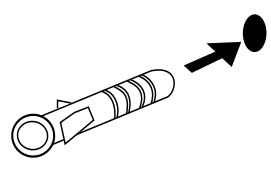
ø5.00 mm



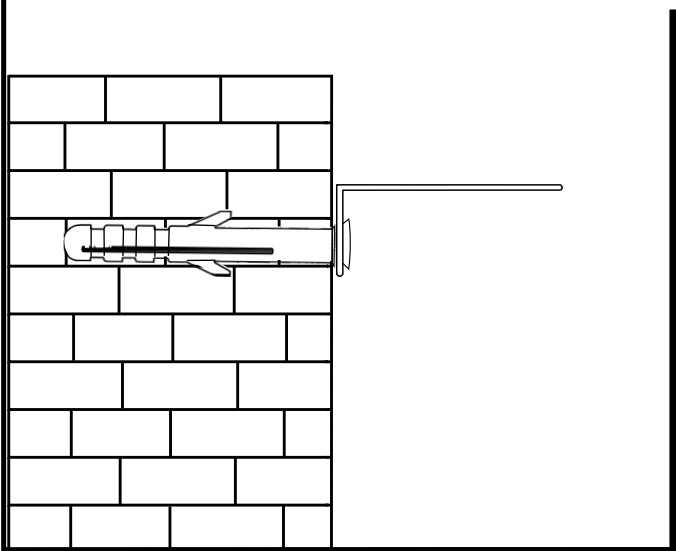
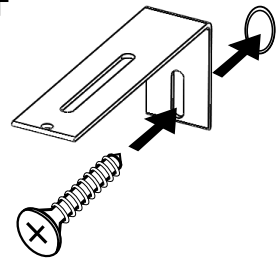
2



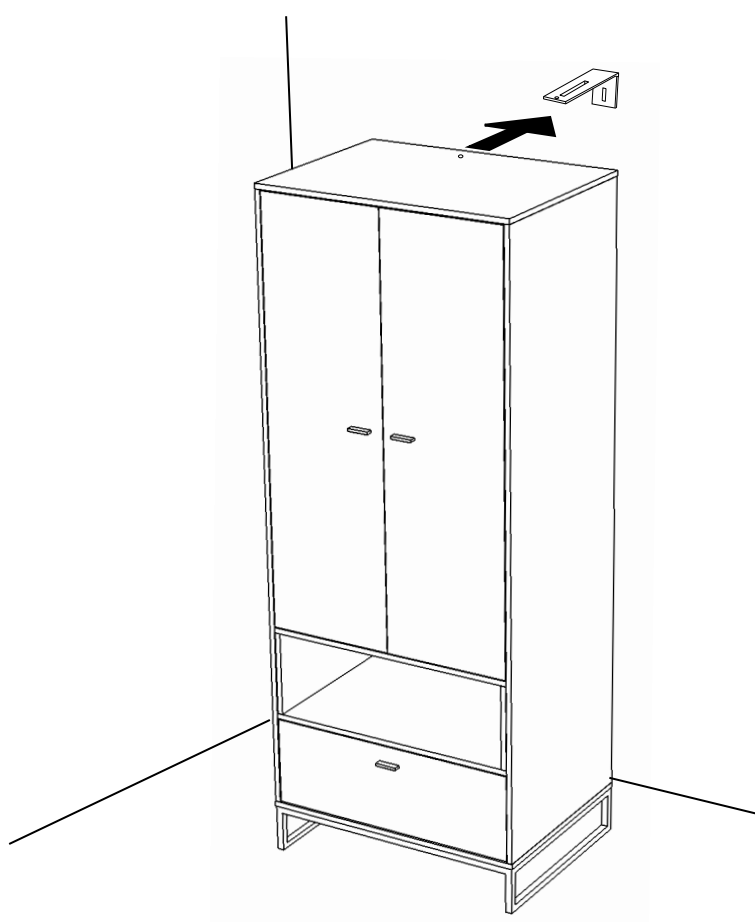
3



4



5



6

