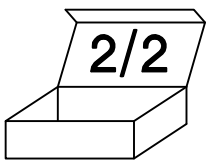
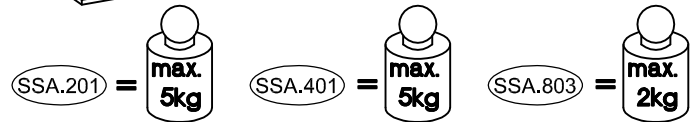
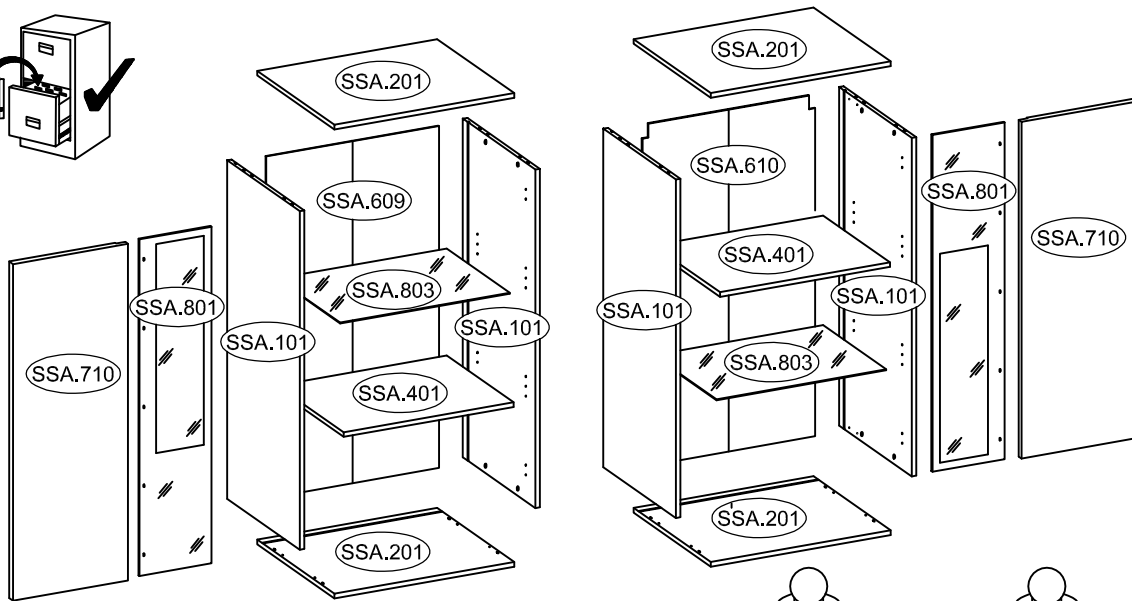
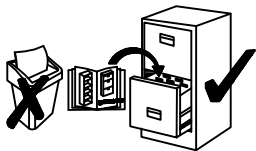
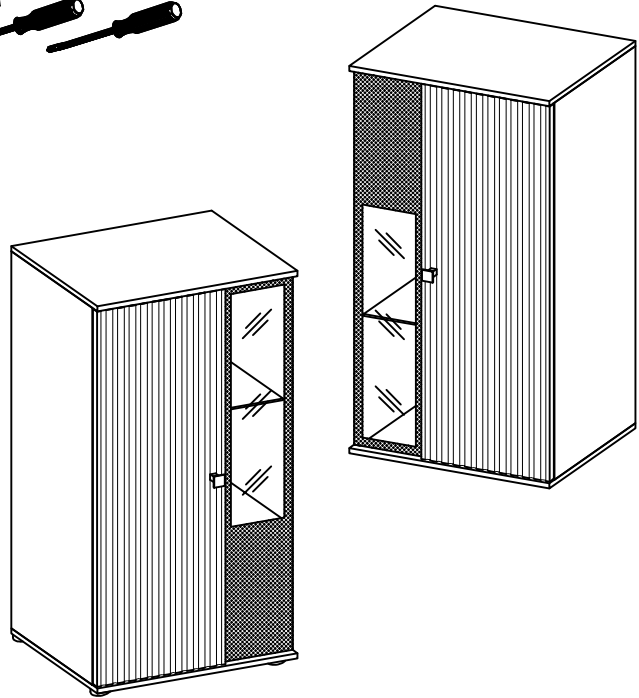


SSA.101 x4	1100x288x15mm
SSA.201 x4	593x306x15mm
SSA.401 x2	561x265x15mm



SSA.609 x1	1109x570x2,5mm
SSA.610 x1	1109x570x2,5mm
SSA.710 x2	380x1094x16mm
SSA.801 x2	1094x238x4mm
SSA.803 x2	560x250x5mm



1B :

30x30mm	M4x22mm
S	U
2	2

2B :

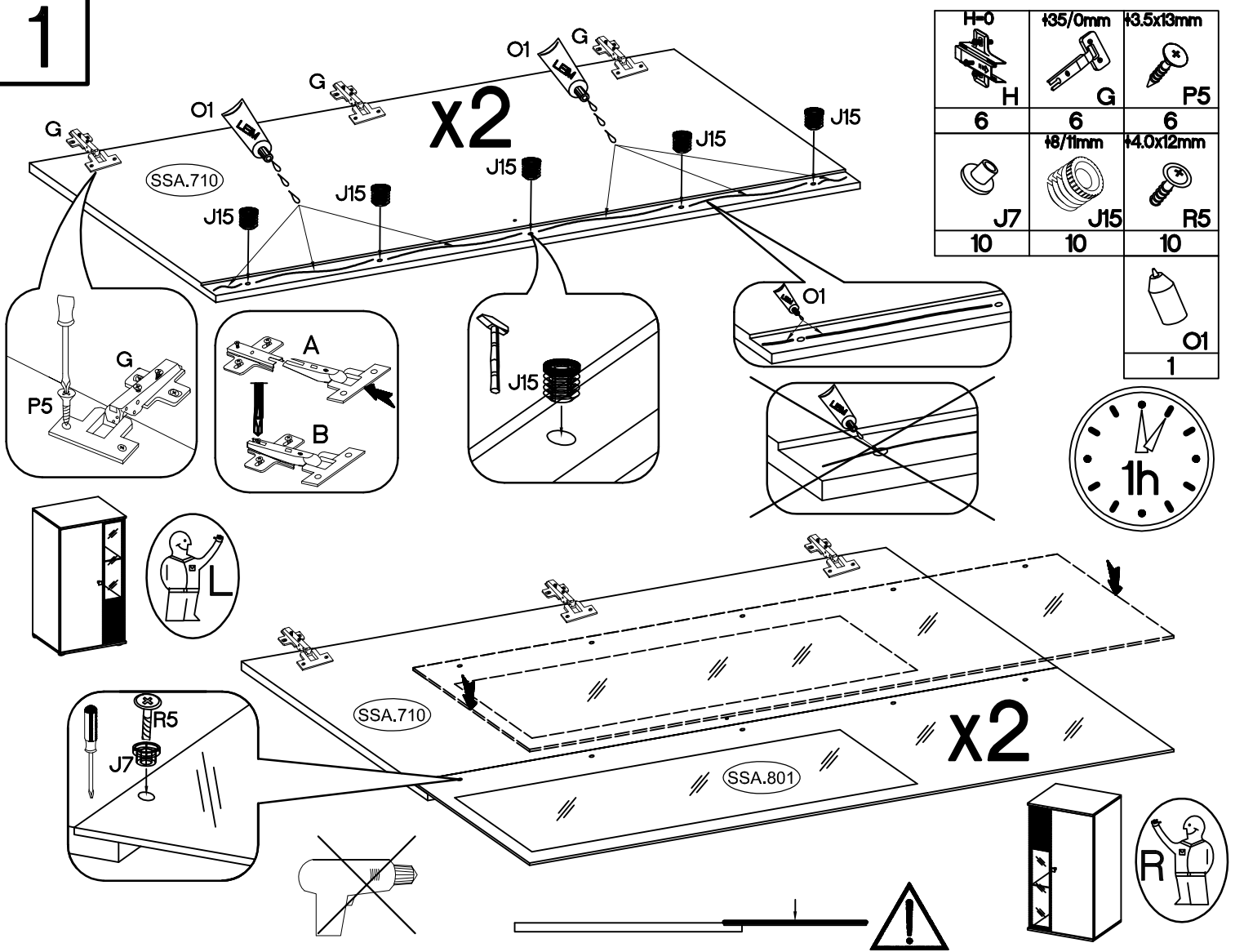
H=0	+35/0mm	+3.5x13mm
H	G	P5
6	6	12

J5
4

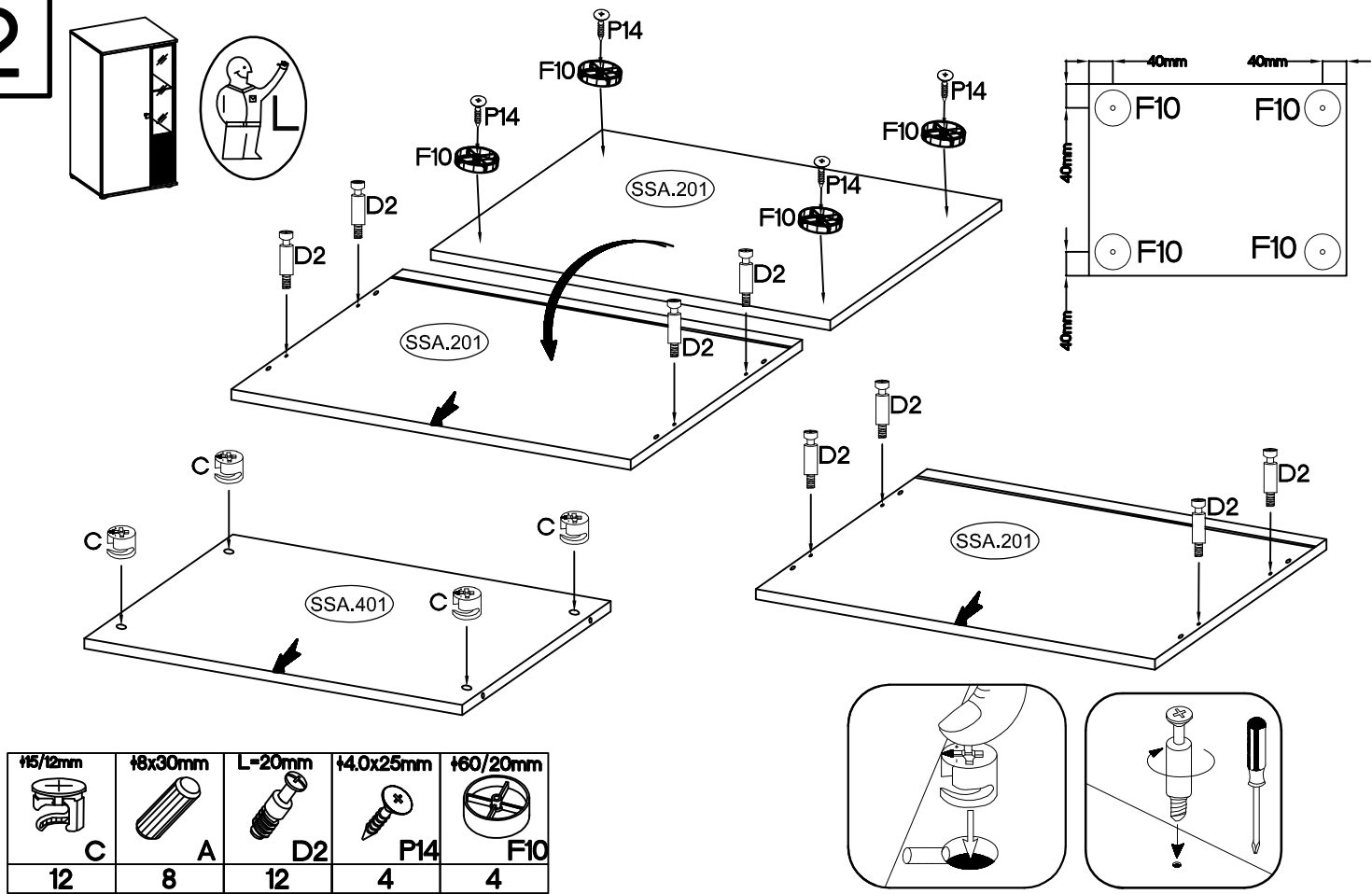
3B :

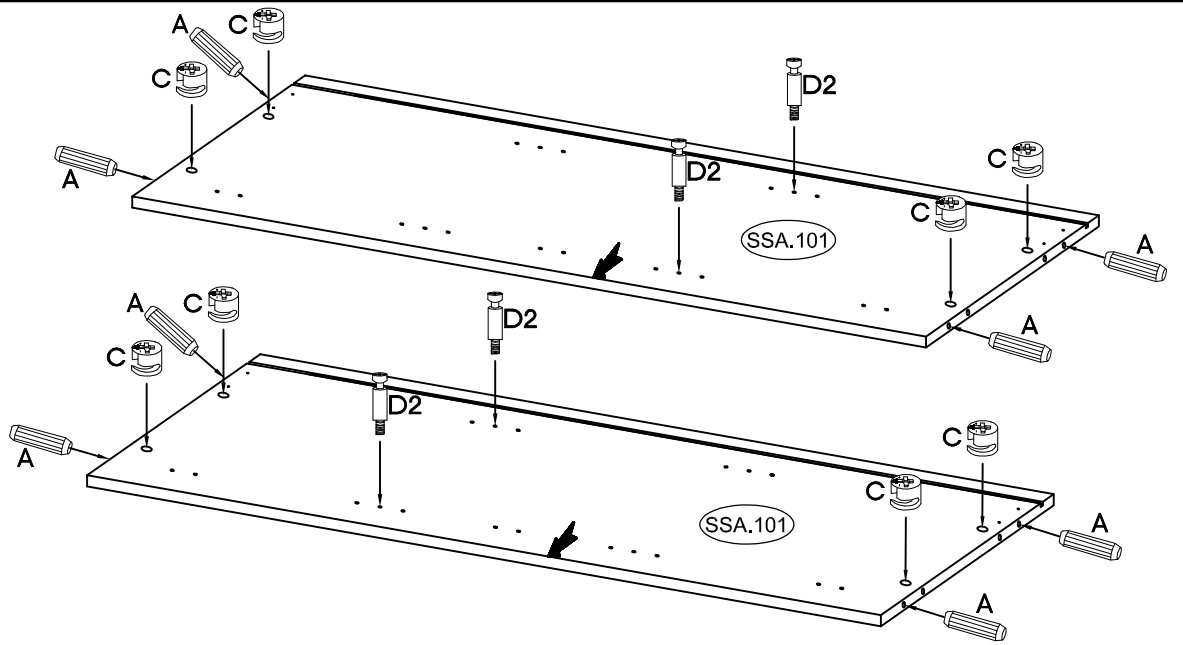
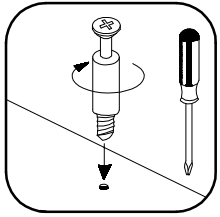
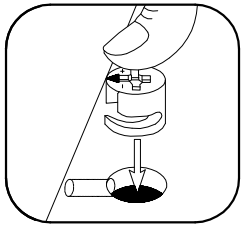
+5/12mm	+8x30mm	L-20mm	+4.0x25mm	+60/20mm		+8/11mm	+4.0x12mm	0,05		
C	A	D2	P14	F10	J7	J15	R5	O11	L	
24	16	24	4	4	10	10	10	1	12	
+3.0x20mm		+5/16mm		+4.0x30mm	+3.5x13mm		+10x50mm	+5.0x60mm		
P7	L2	E	J12	K	P8	P5	L9	O7	P12	K16
8	8	24	8	2	4	1	1	5	4	2

1

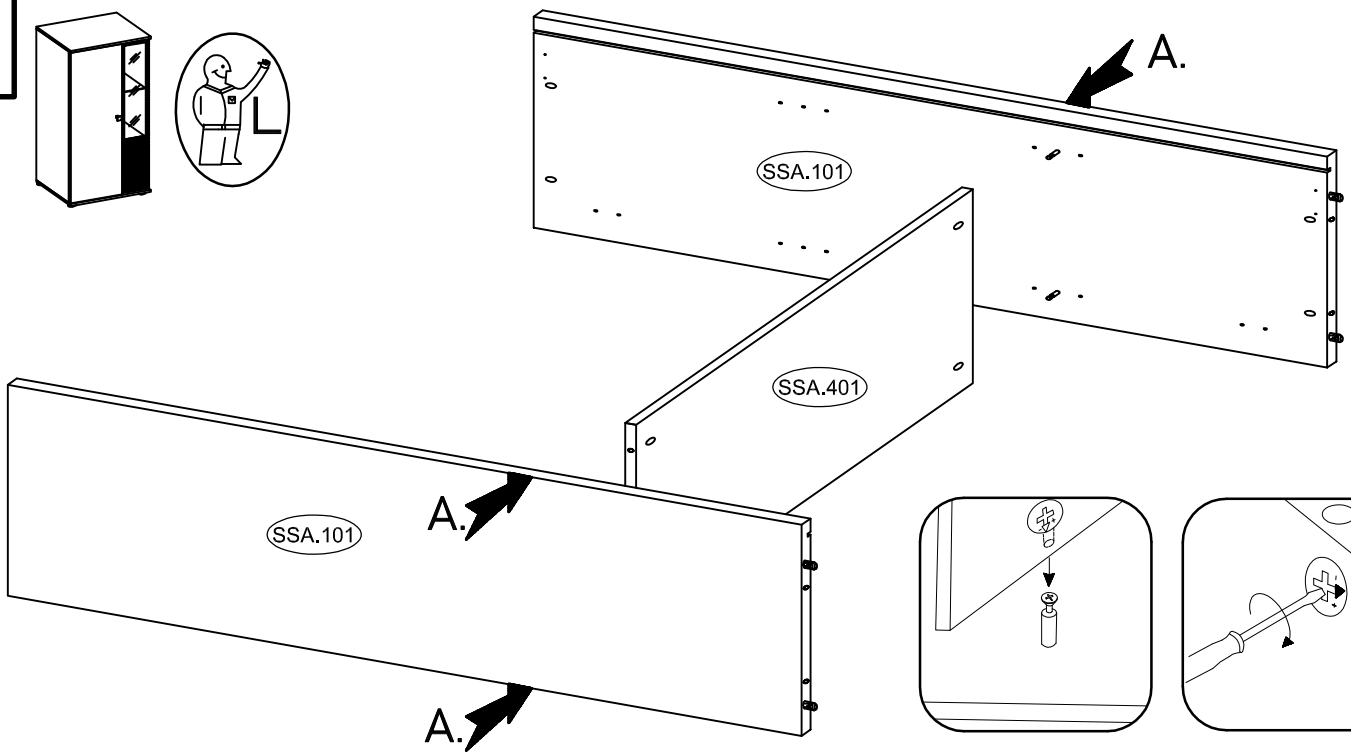
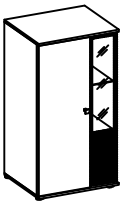


2

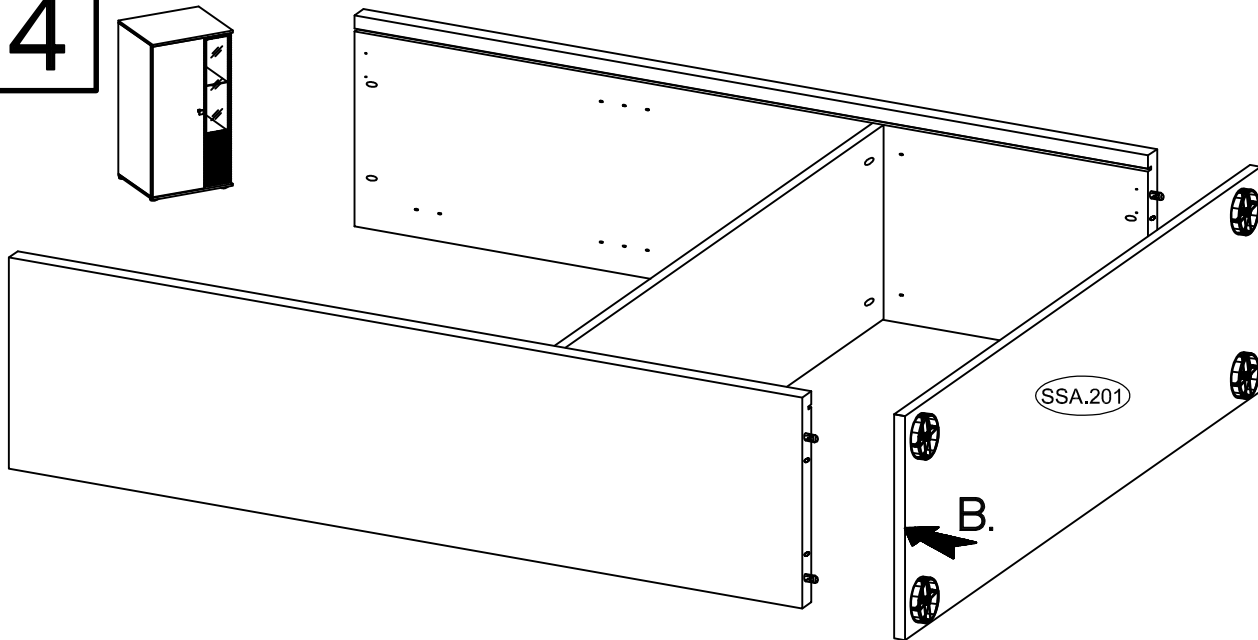
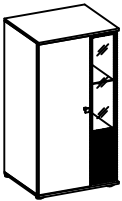




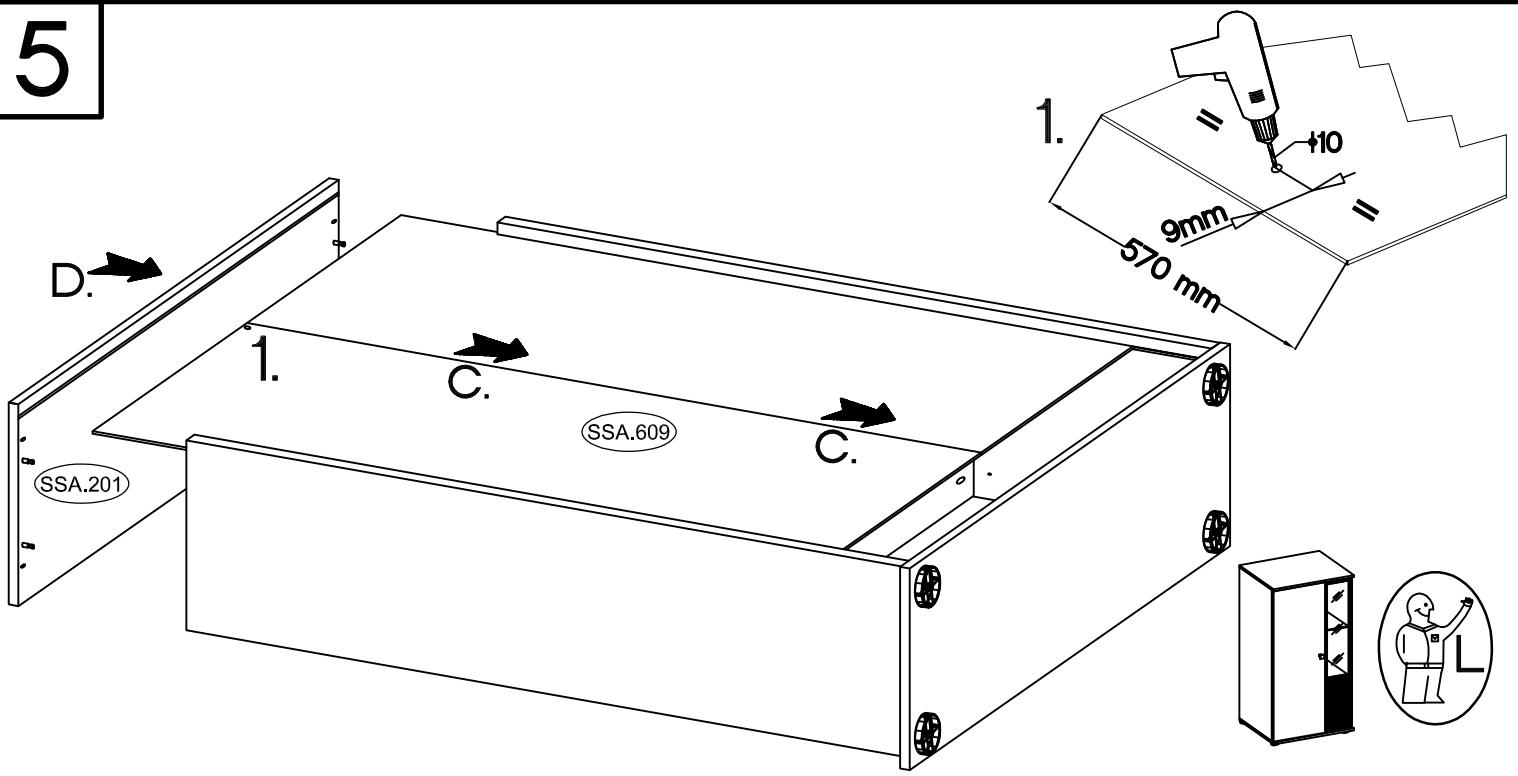
3



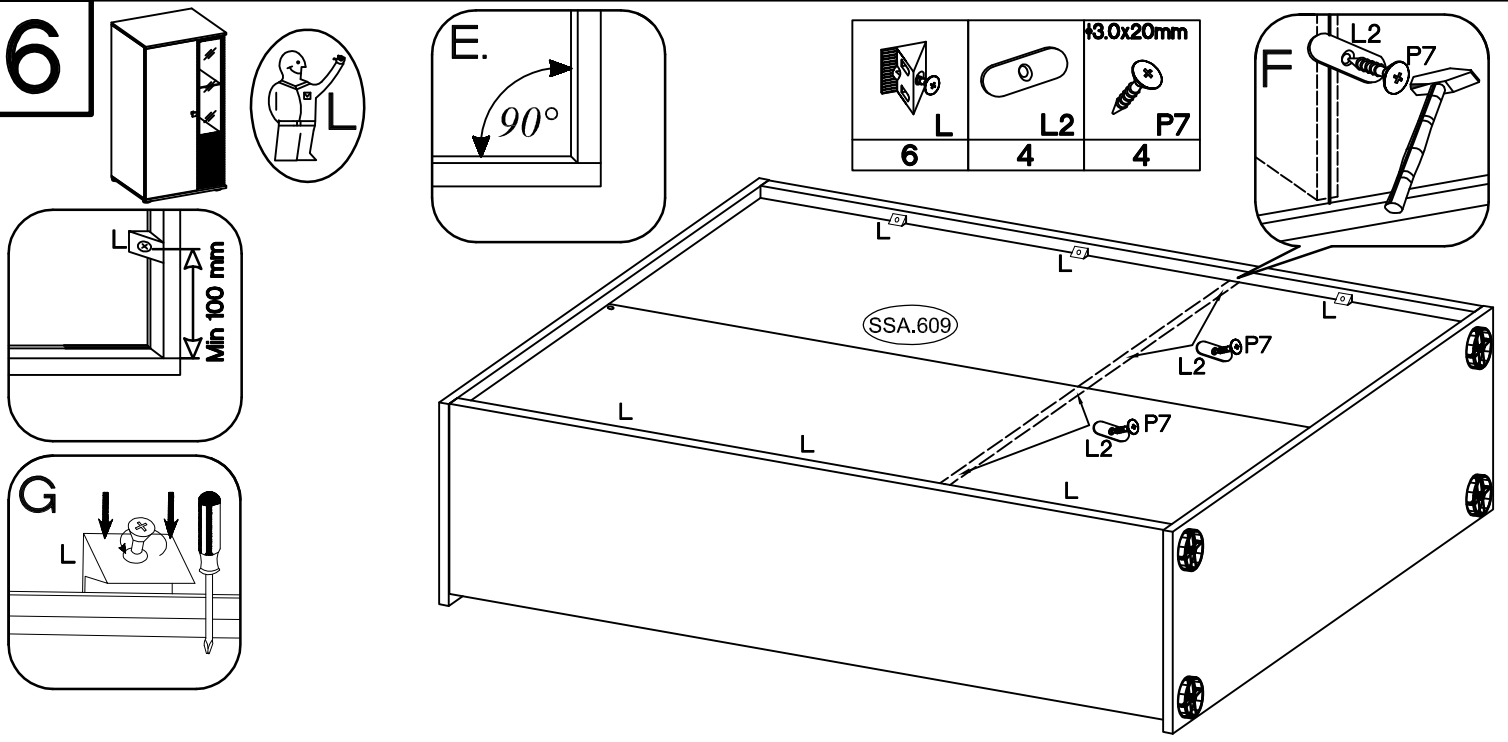
4



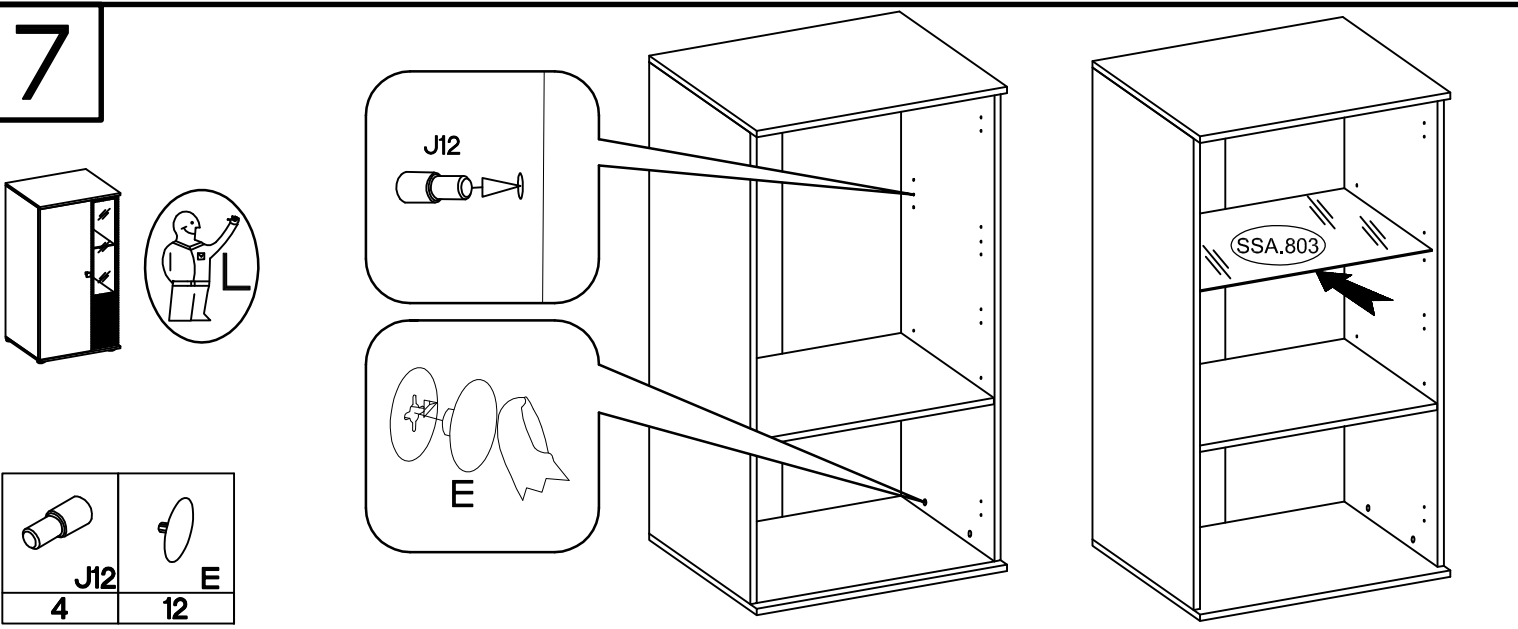
5



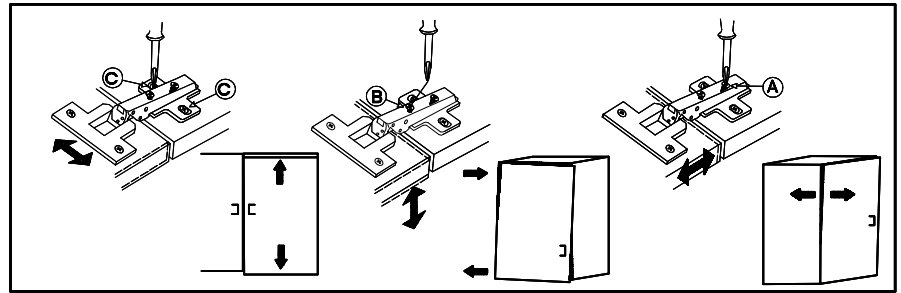
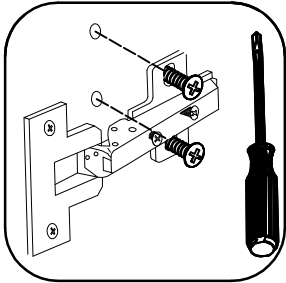
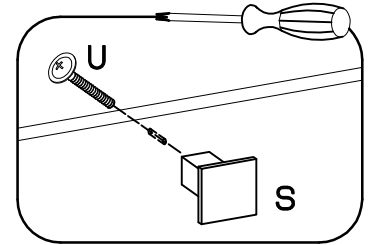
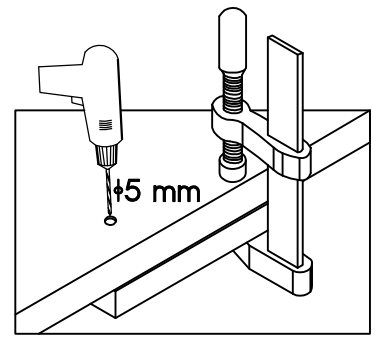
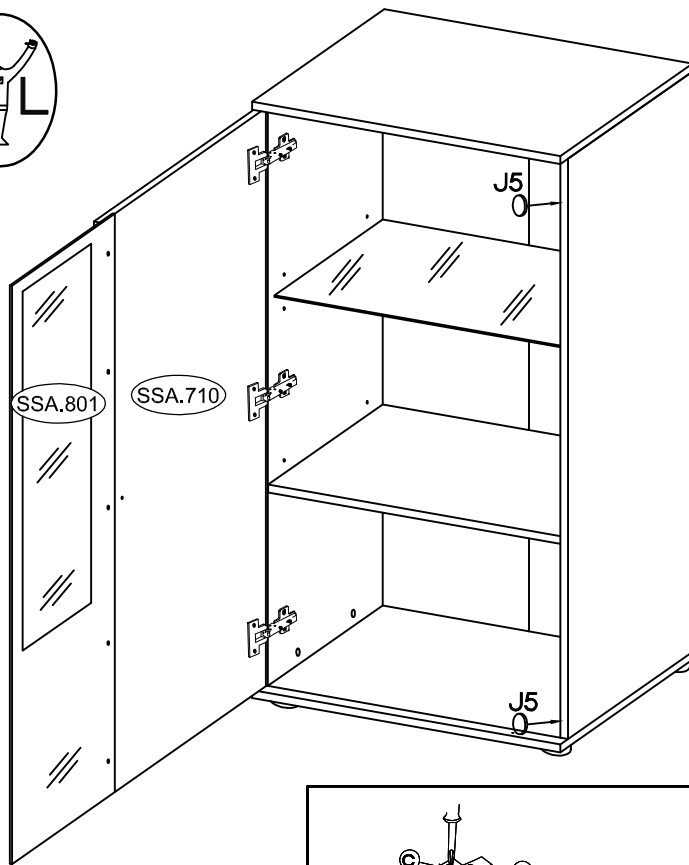
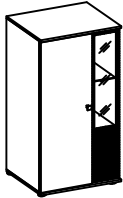
6



7

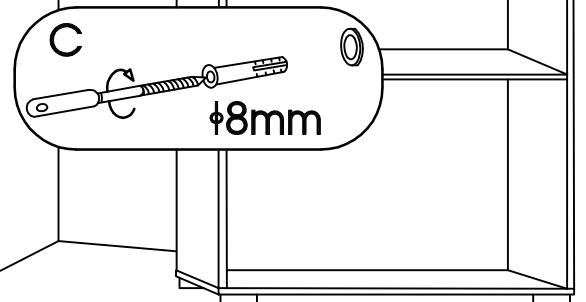
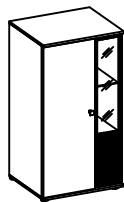
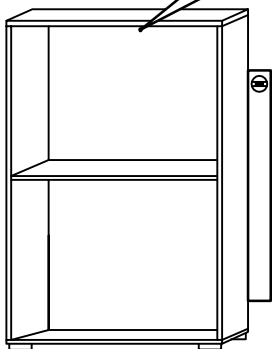
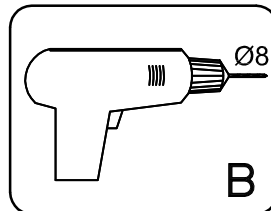
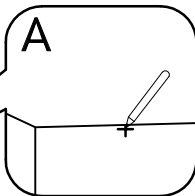


8

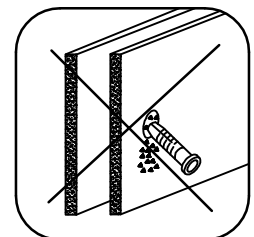
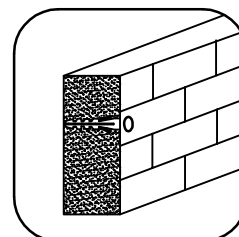
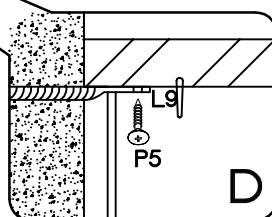
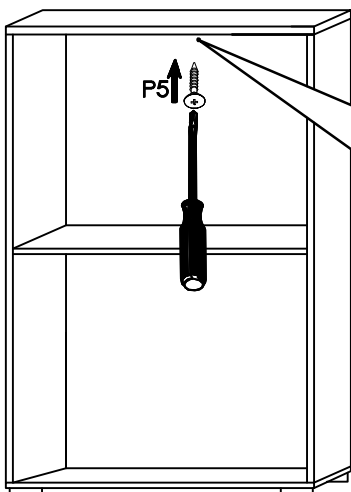


	M4x22mm	30x30mm
J5		
2	1	1

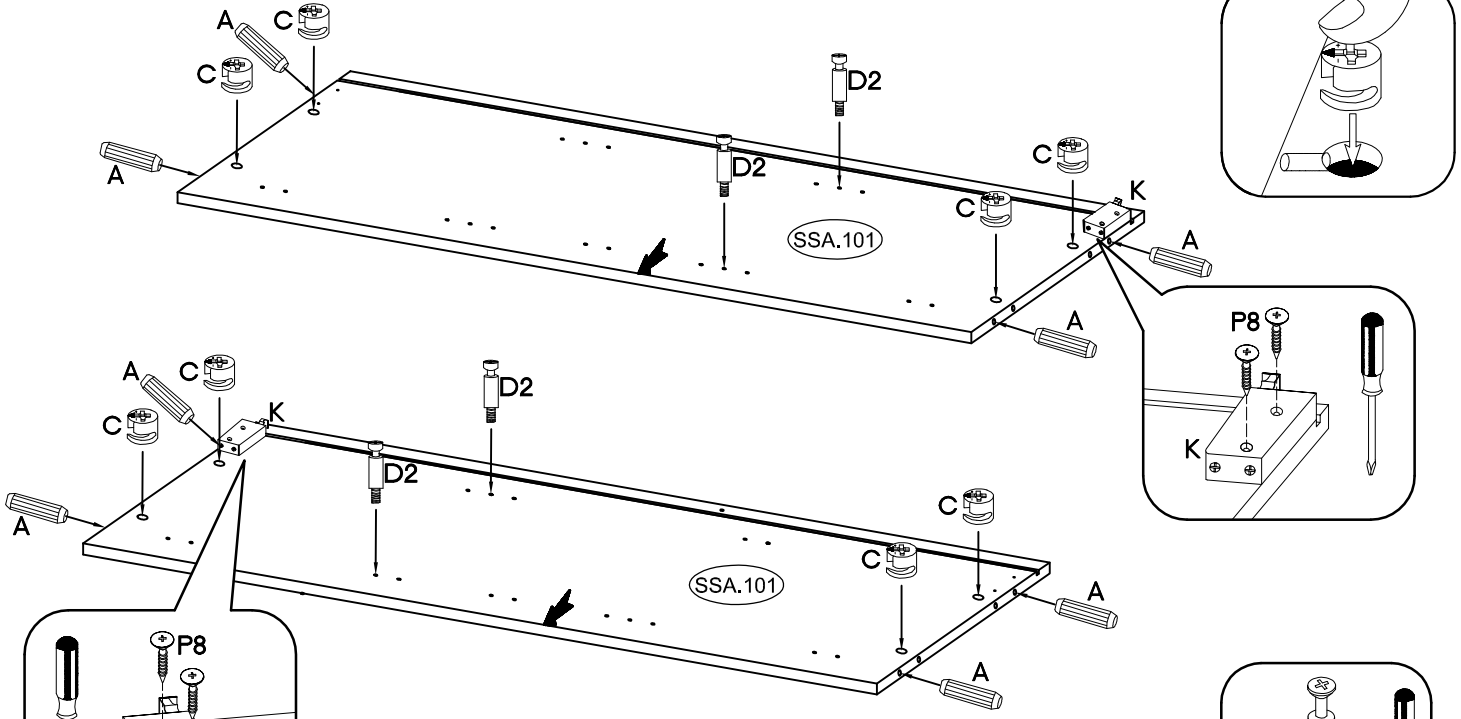
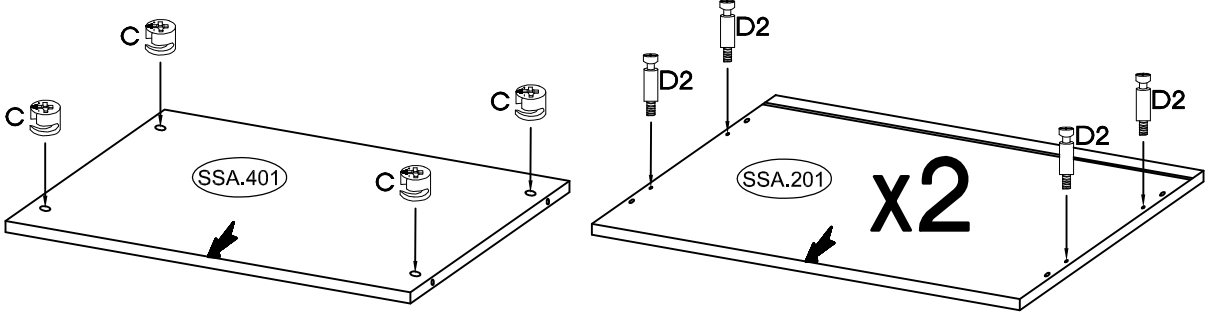
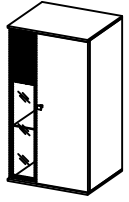
9



	3.5x13mm	10x50mm
L9		
1	1	1

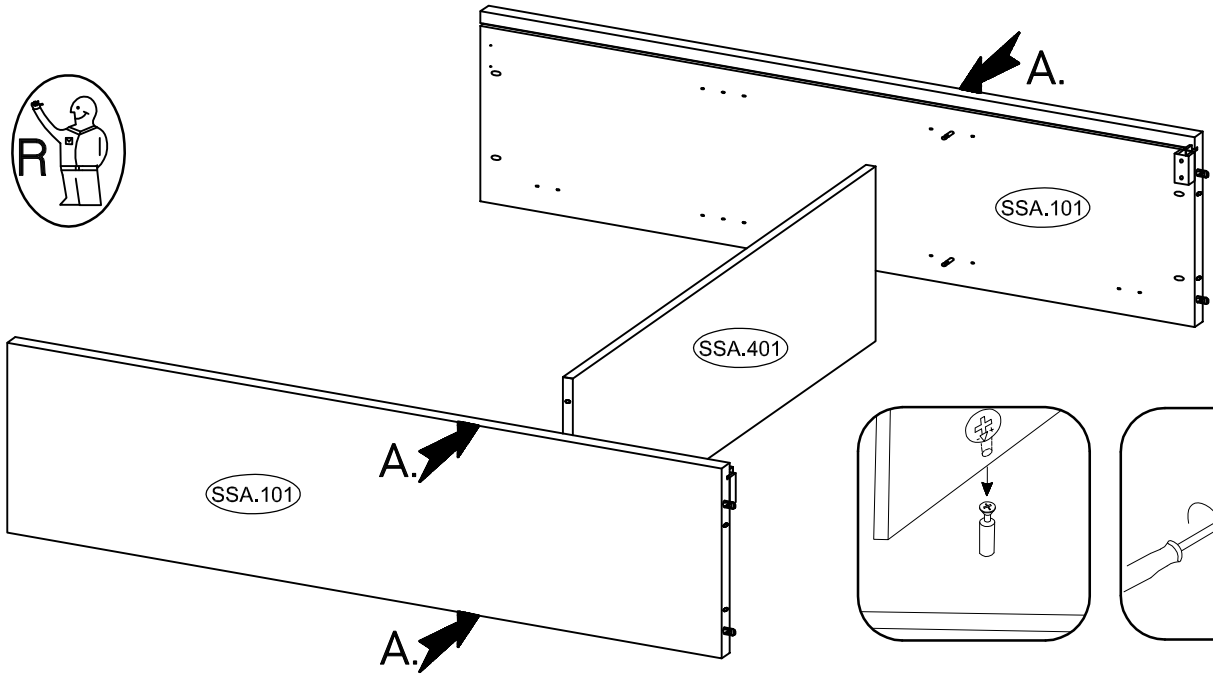
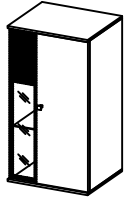


10

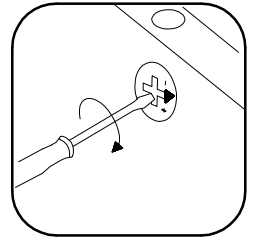
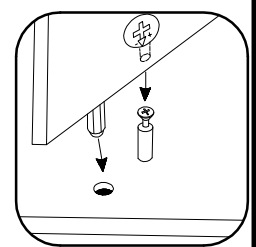
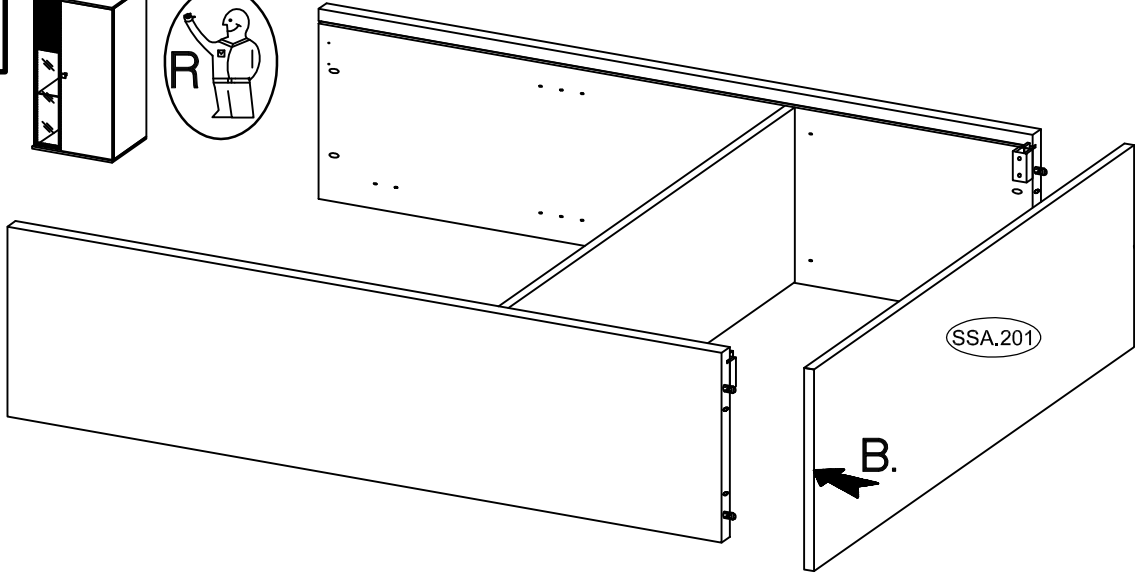
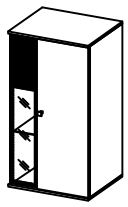


$\varnothing 15/12\text{mm}$	$\varnothing 8 \times 30\text{mm}$	L-20mm		$\varnothing 4.0 \times 30\text{mm}$
12	8	12	2	4

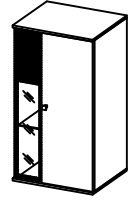
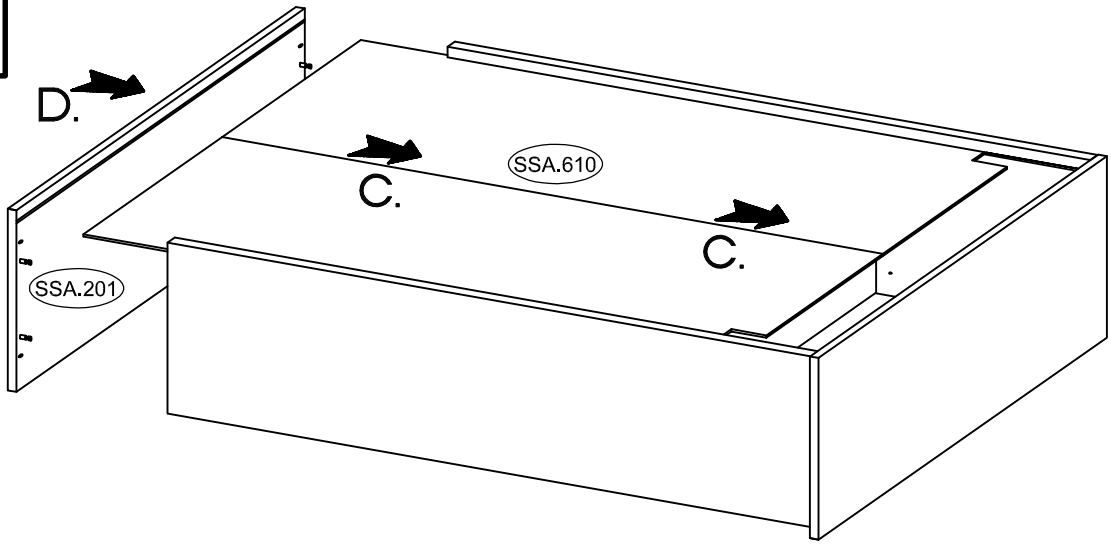
11



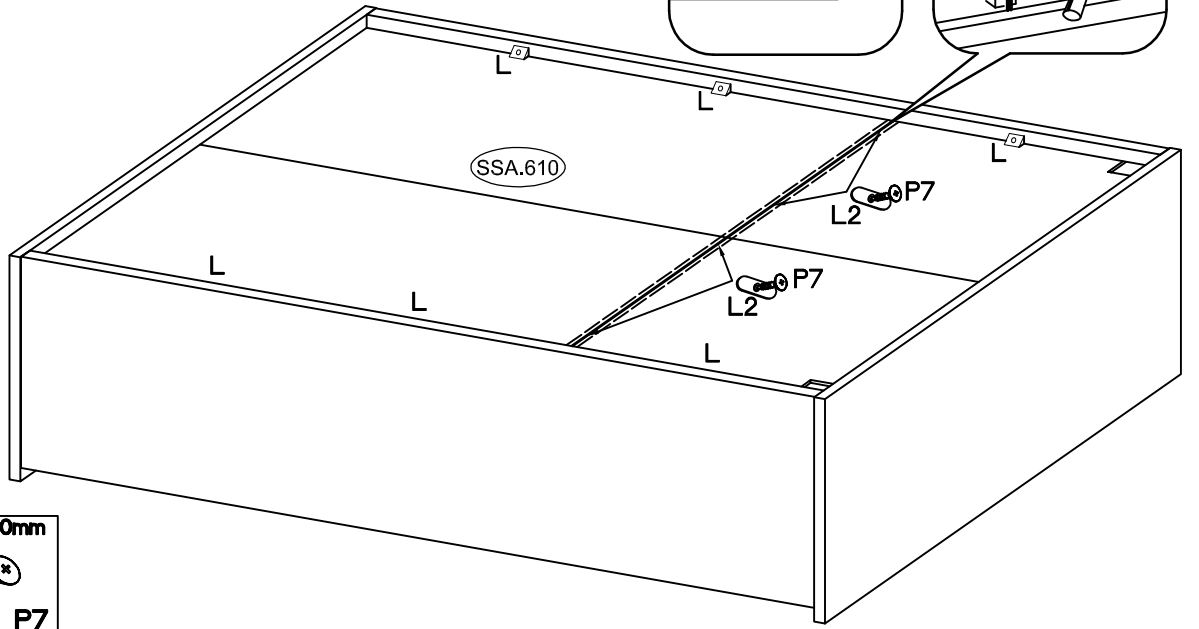
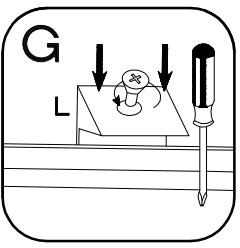
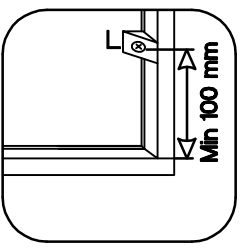
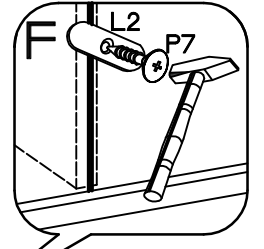
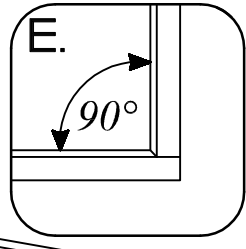
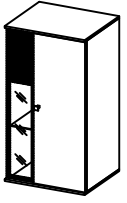
12



13



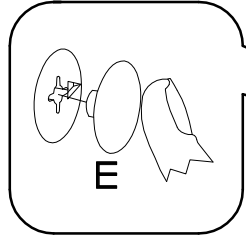
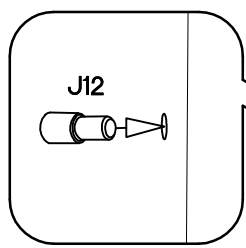
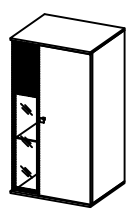
14





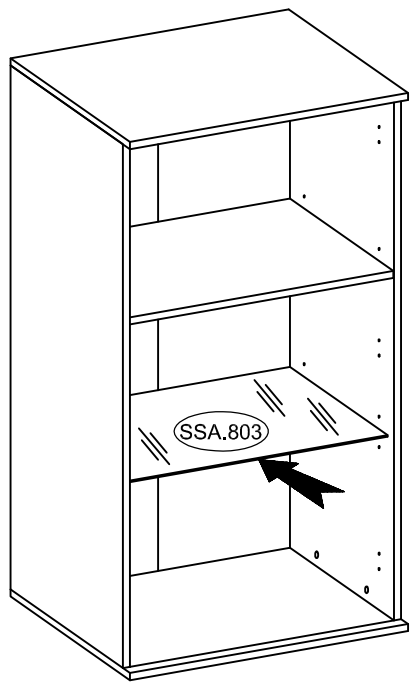
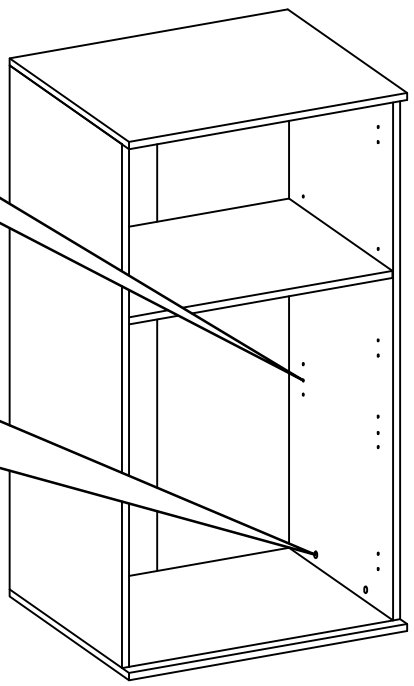
L	L2	P7
6	4	4

Ø3.0x20mm

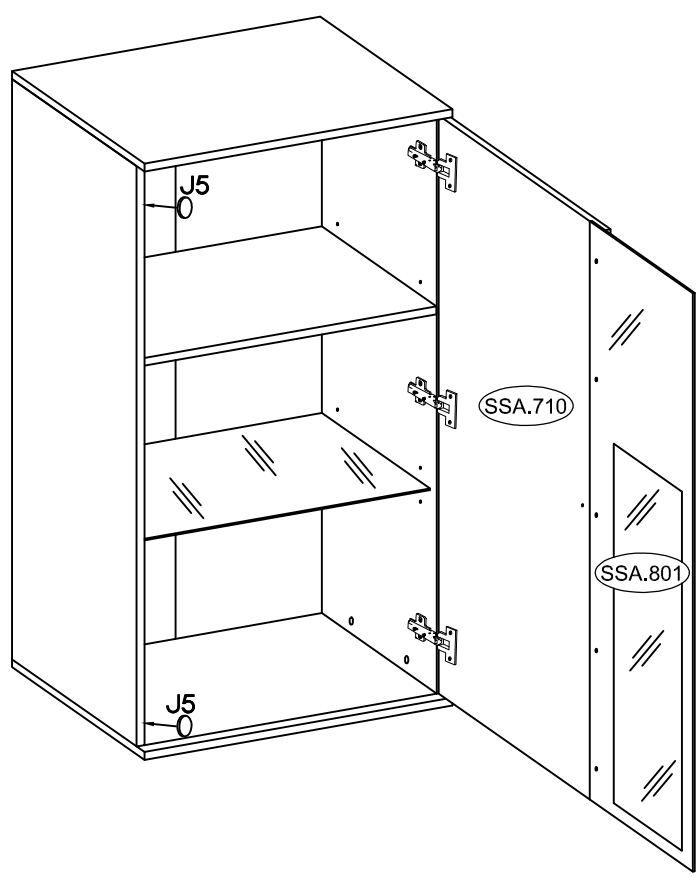
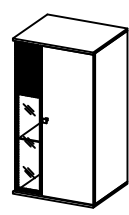
15






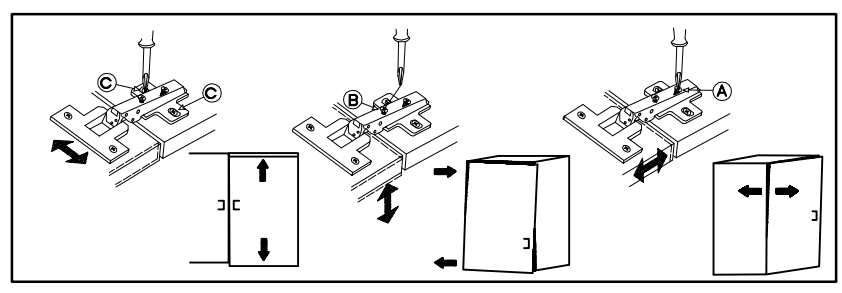
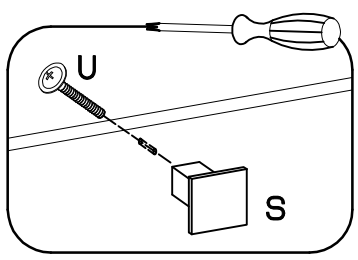
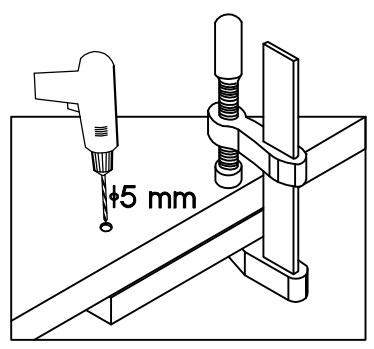
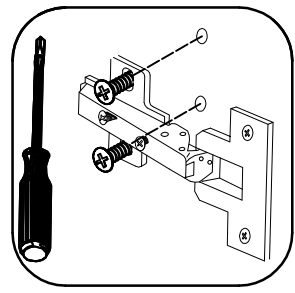
	
J12	E
4	12






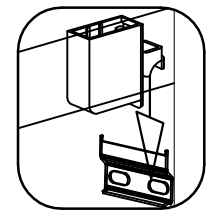
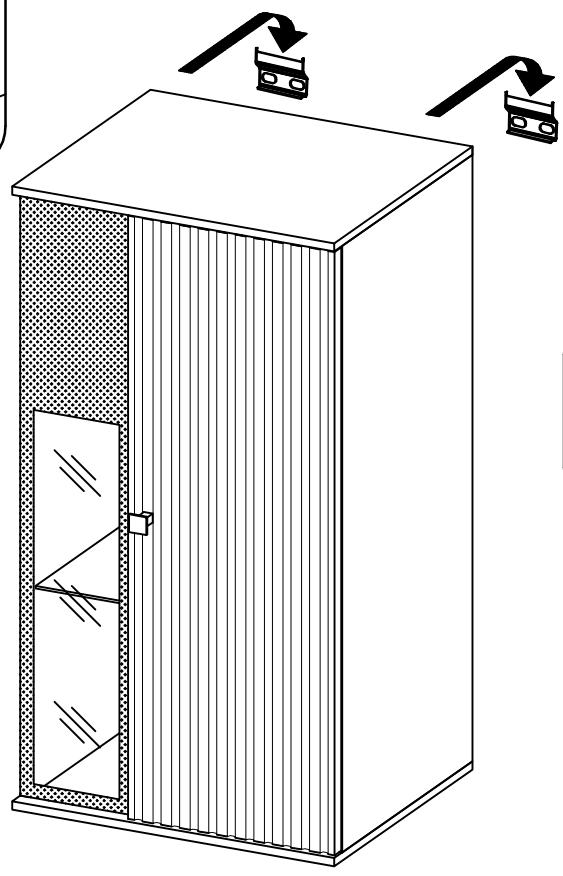
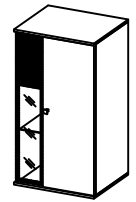
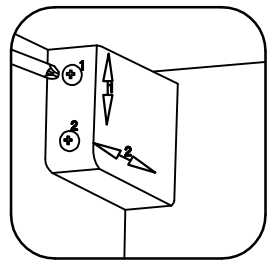
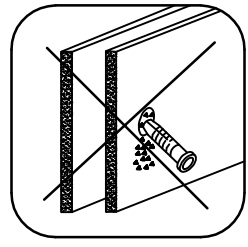
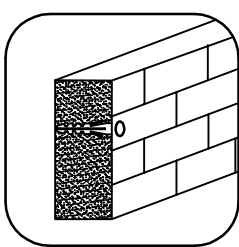
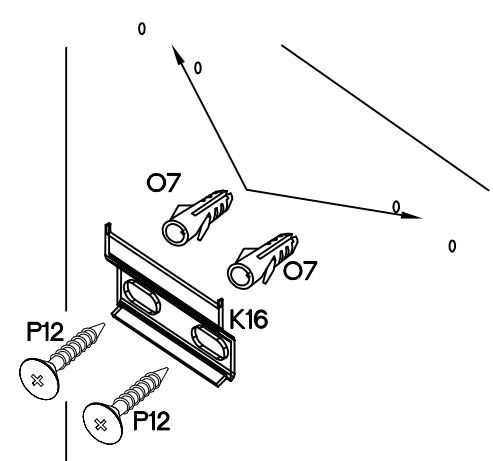
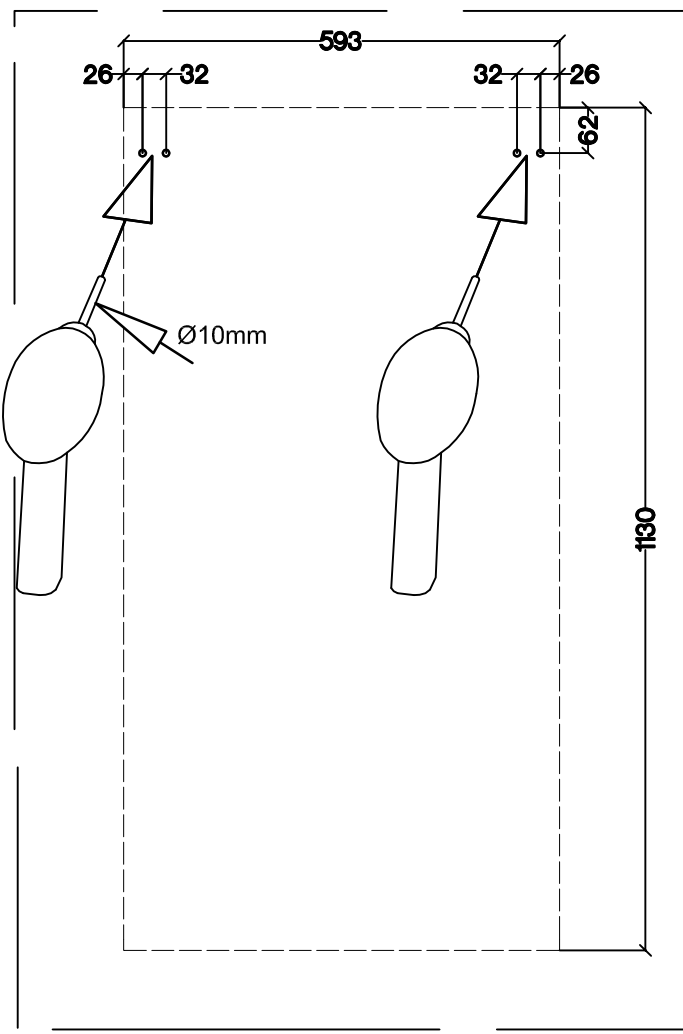
16

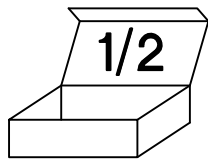
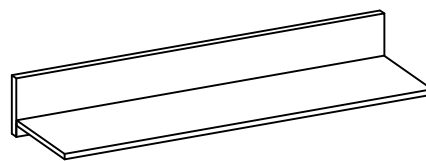
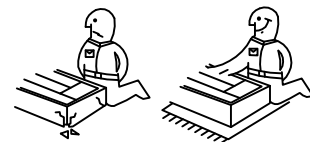
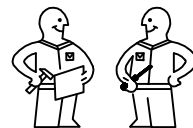
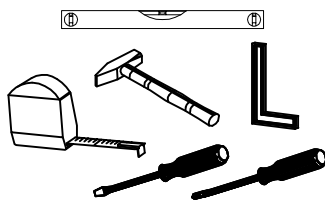


		
J5	U	S
2	1	1

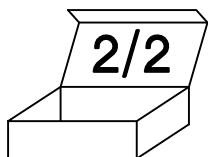
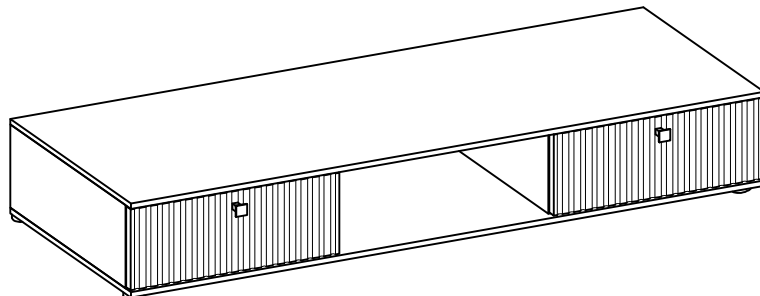


 #5.0x60mm P12	 #10x50mm O7	 K16
4	4	2

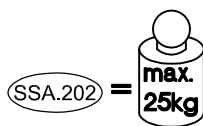
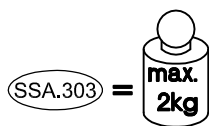
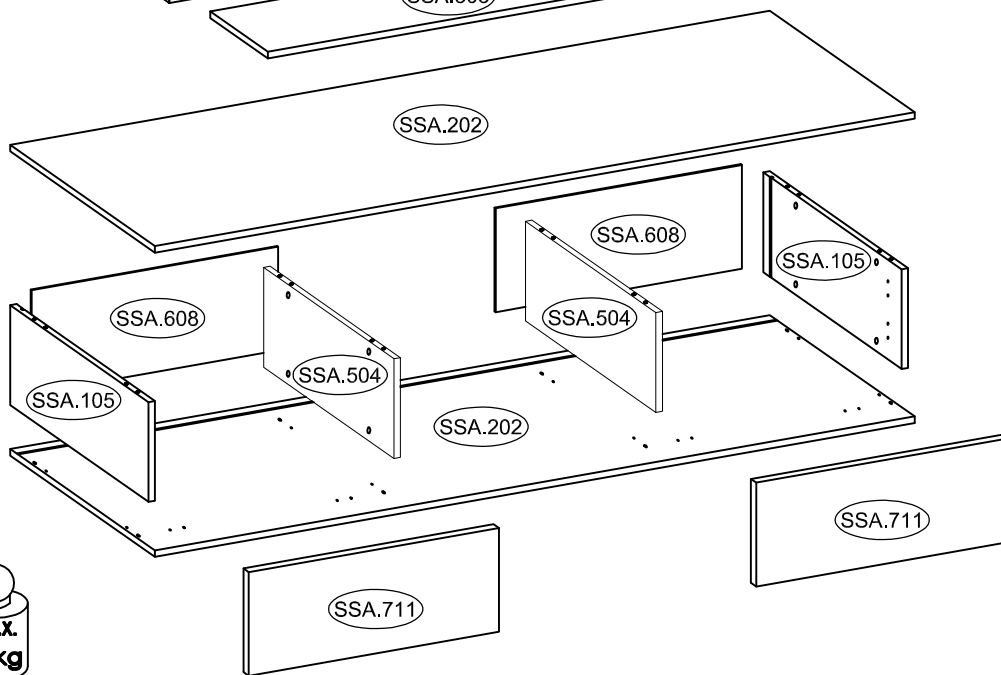
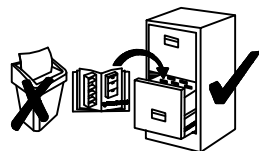




SSA.105 x2	252x384x15mm
SSA.202 x2	1755x402x15mm
SSA.504 x2	252x362x15mm
SSA.303 x1	1018x155x15mm
SSA.901 x1	1020x160x15mm



SSA.608 x2	569x261x2,5mm
SSA.711 x2	578x246x16mm



30x30mm	M4x22mm
S	U
2	2



H=0	†35/16mm	†3.5x13mm
H	G2	P5
4	4	8




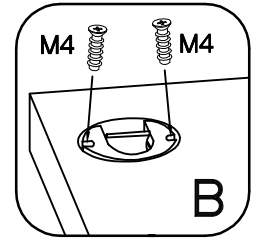
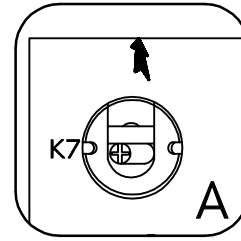
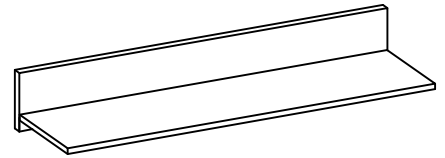
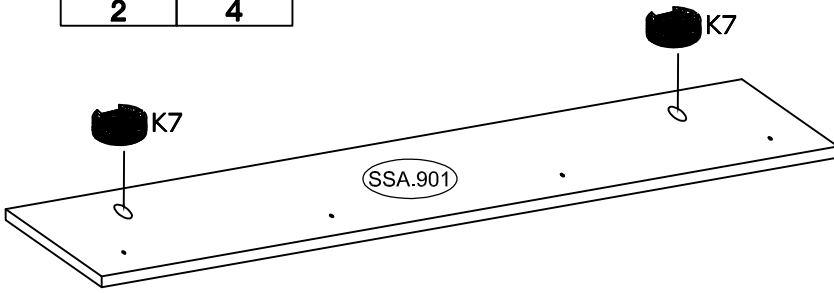
	†6,3x9mm		6,4 x 50mm	5/45mm	†10x50mm	†5/12mm	†8x30mm	L=20mm	†4.0x25mm
K7	M4	O	B	O3	O7	C	A	D2	P14
2	4	1	4	2	2	16	16	16	6

†60/20mm	†3.5x13mm
F10	P5
6	6


			†3.0x16mm		
K13	L	E	P11	J5	
2	4	16	10	4	

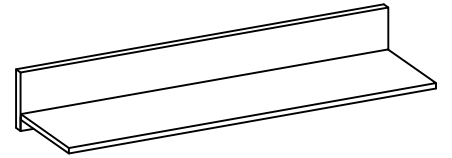
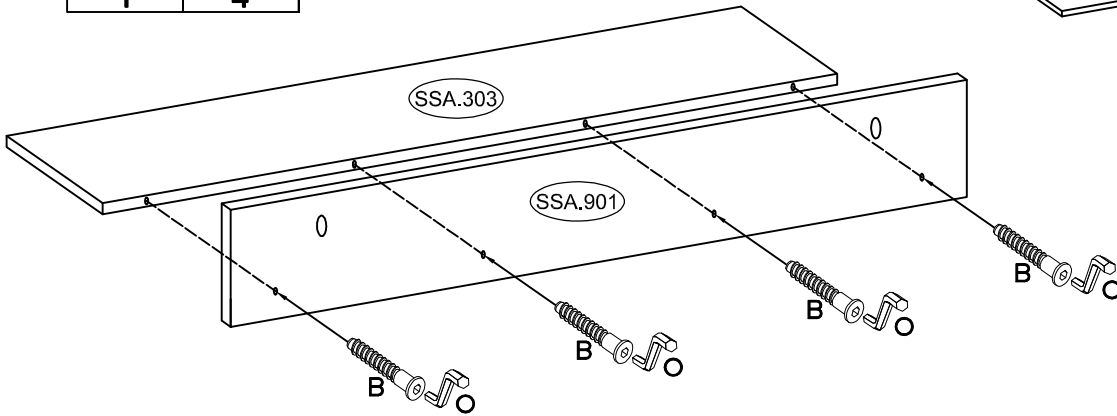
1

	$\pm 6,3 \times 9 \text{mm}$
K7	M4
2	4

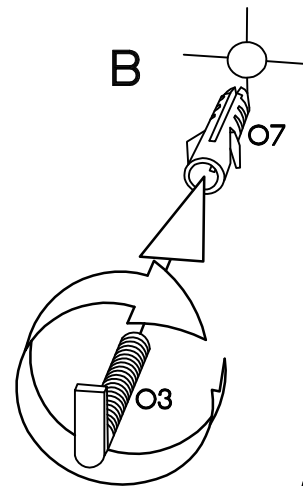
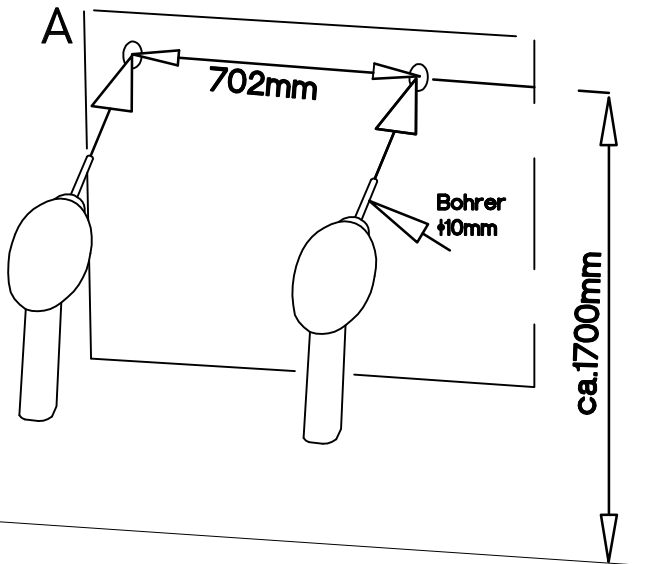



2

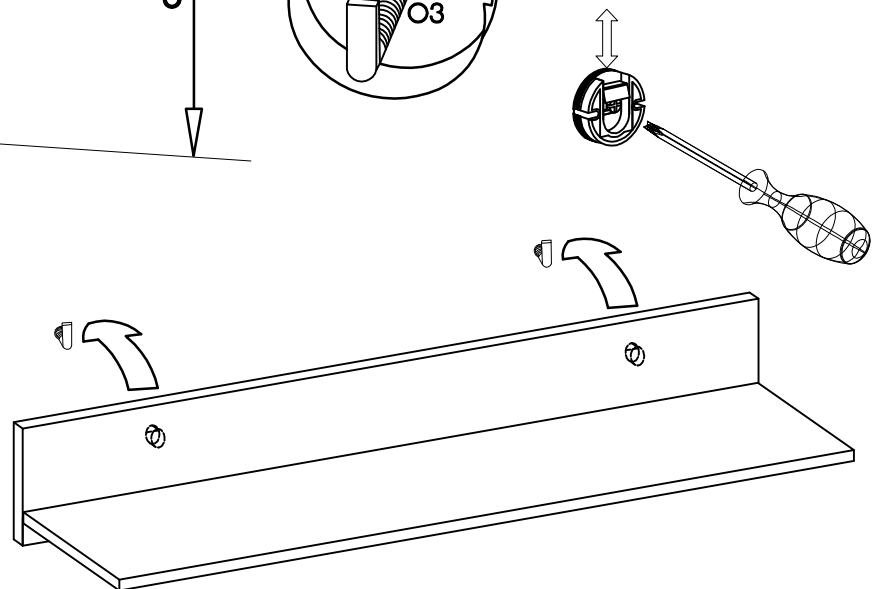
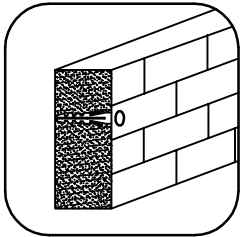
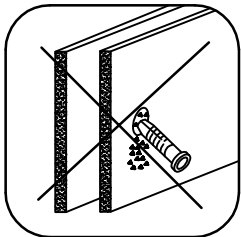
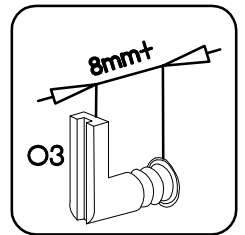
	$6,4 \times 50 \text{mm}$
O	B
1	4






3





	$5/45 \text{mm}$
O3	$\pm 10 \times 50 \text{mm}$
2	2

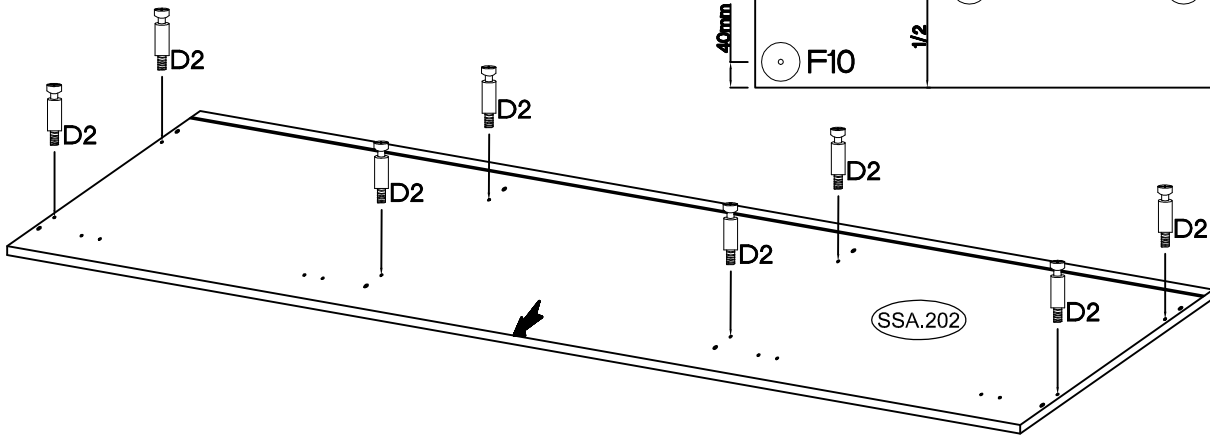
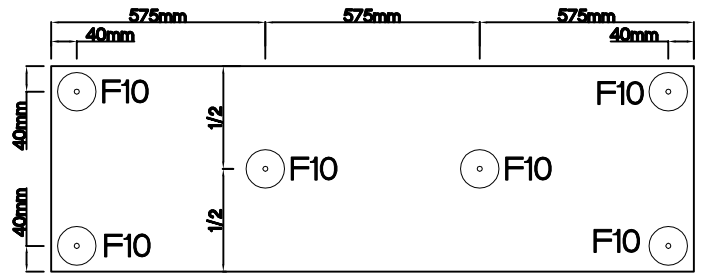
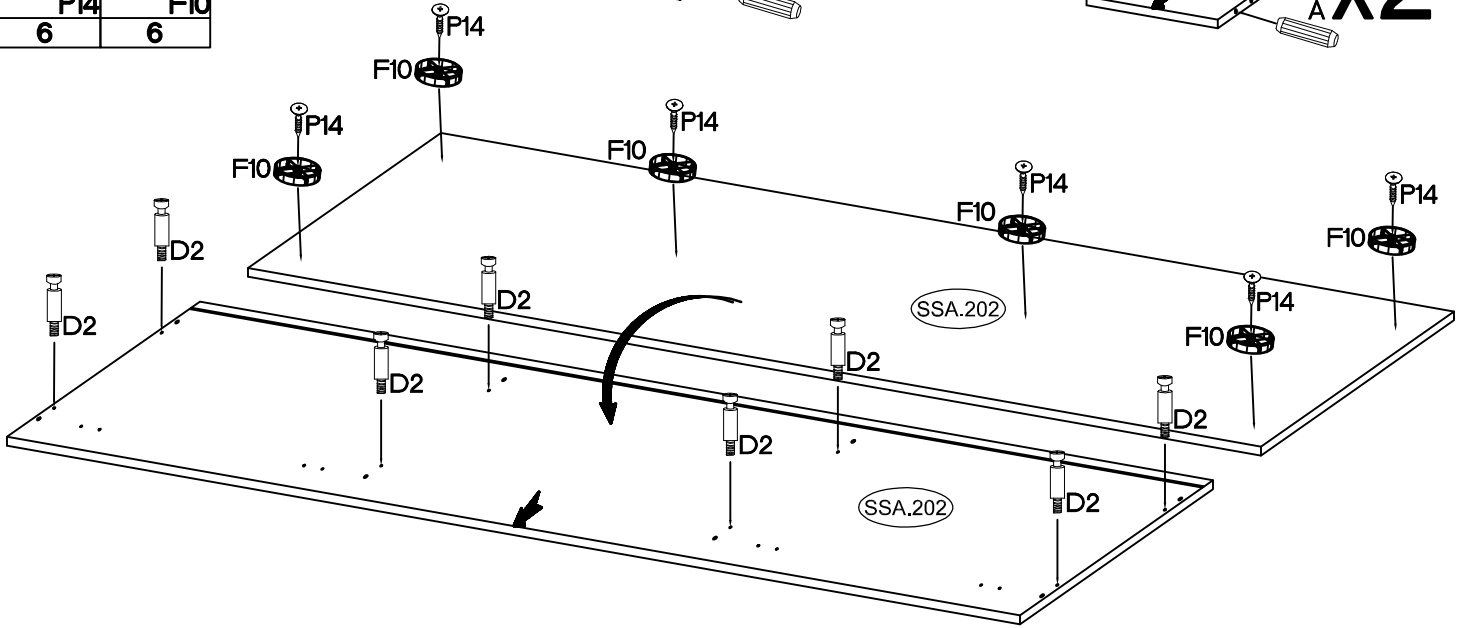
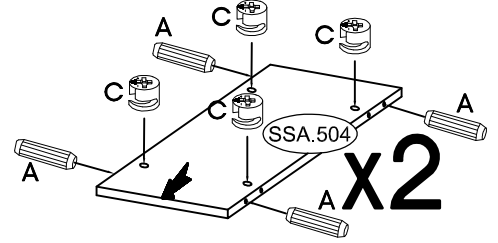
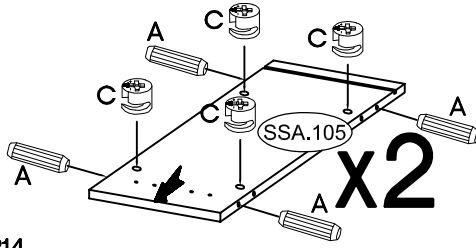


4

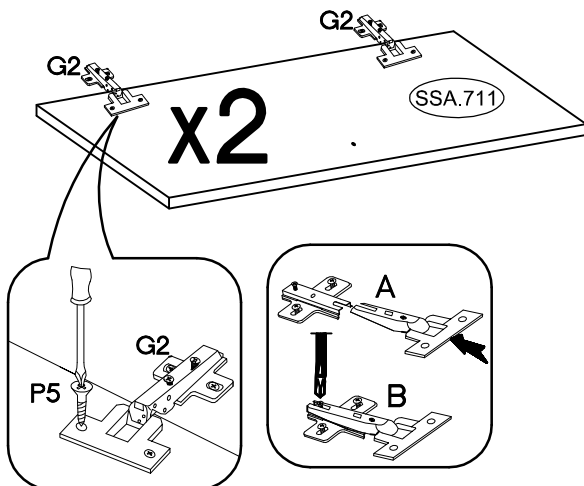
		
C	A	D2





16	16	16
----	----	----

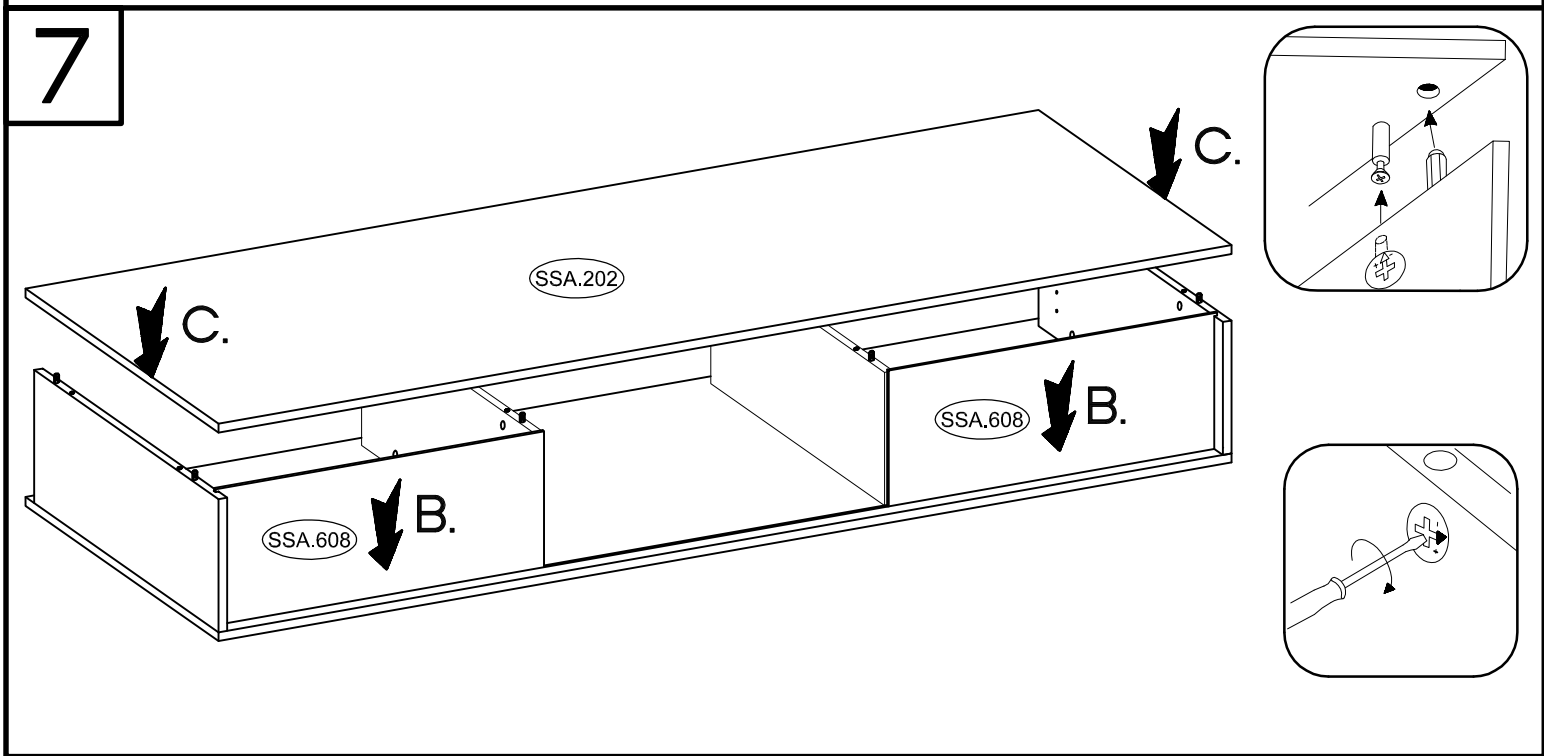
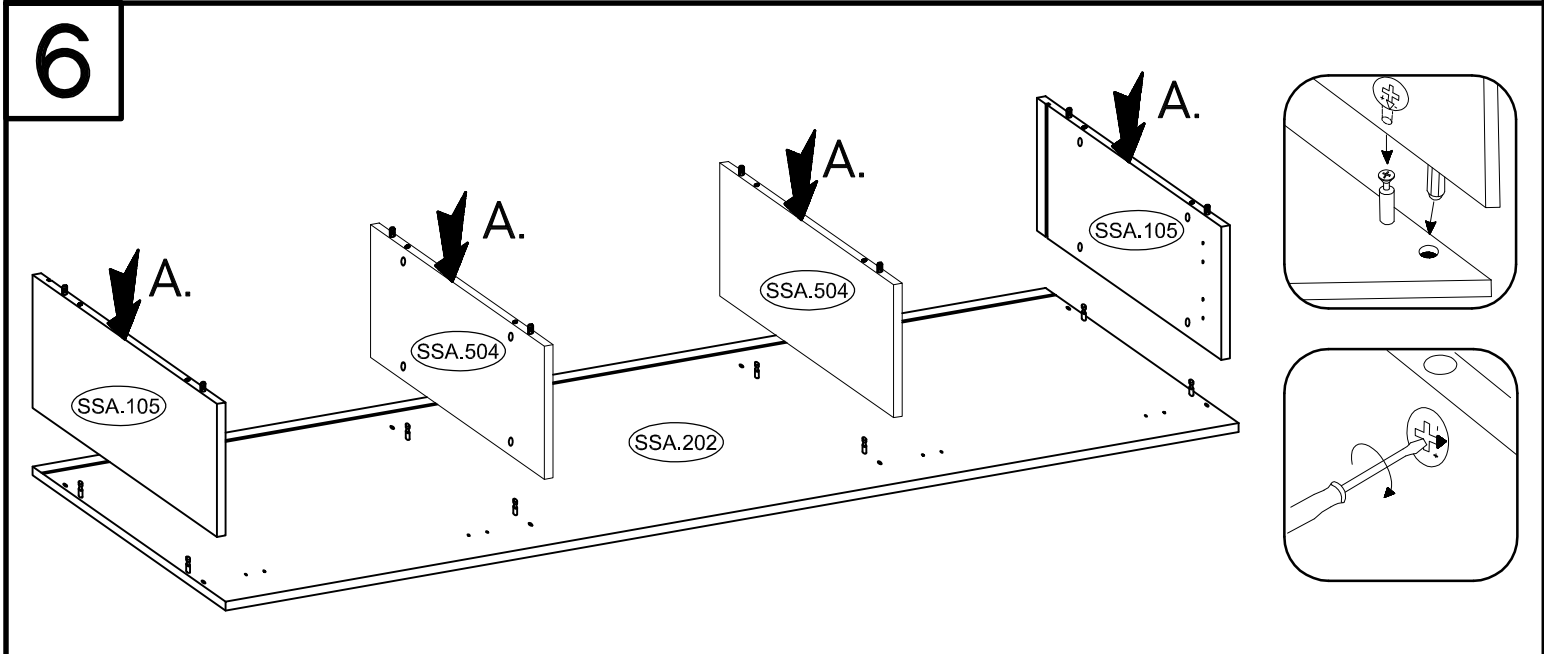
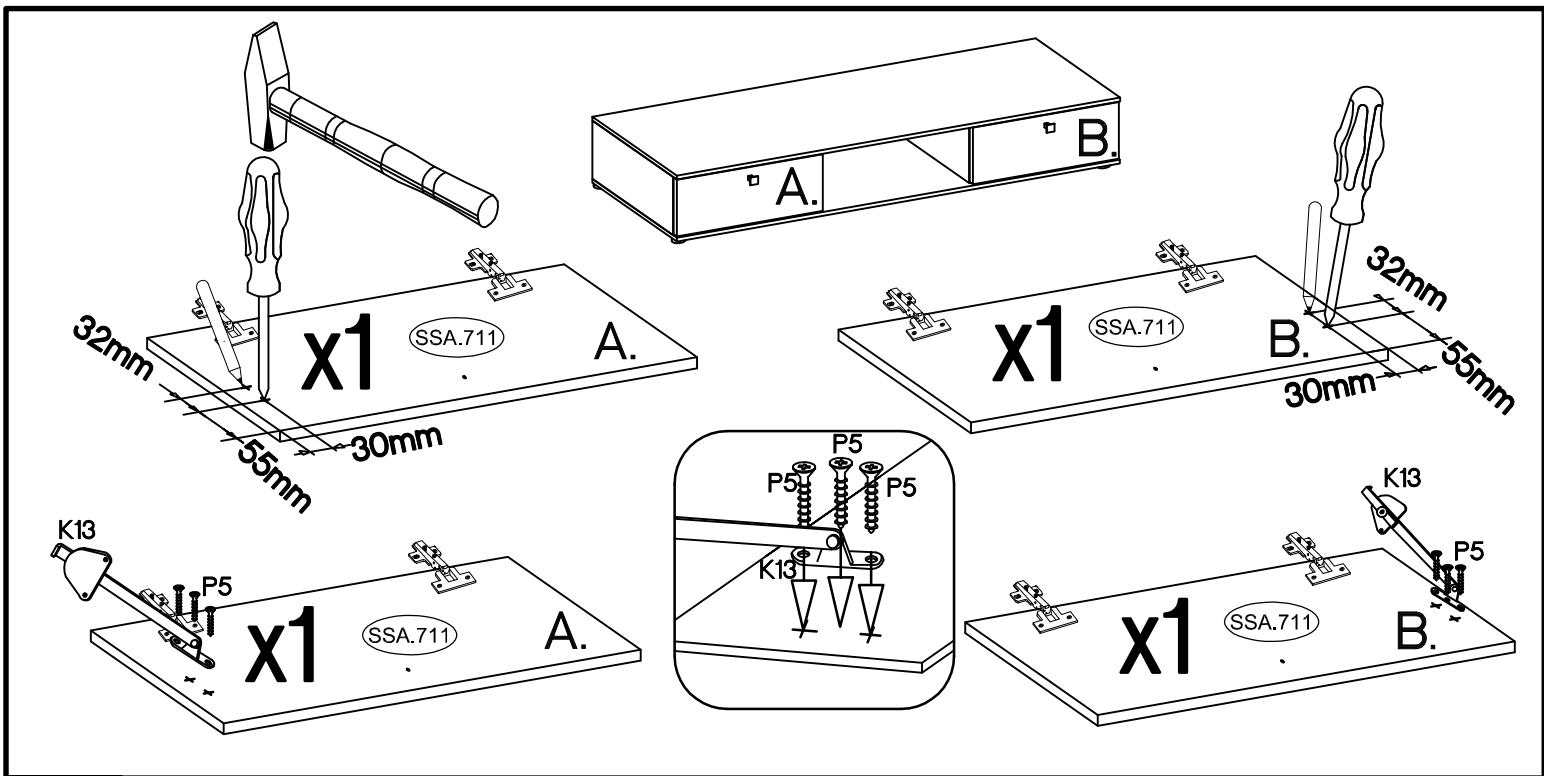
	
P14	F10
6	6



5



			
H-0	G2	P5	K13
4	4	14	2



8

∅3.0x16mm



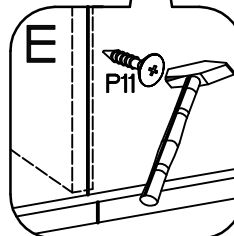
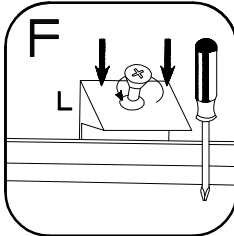
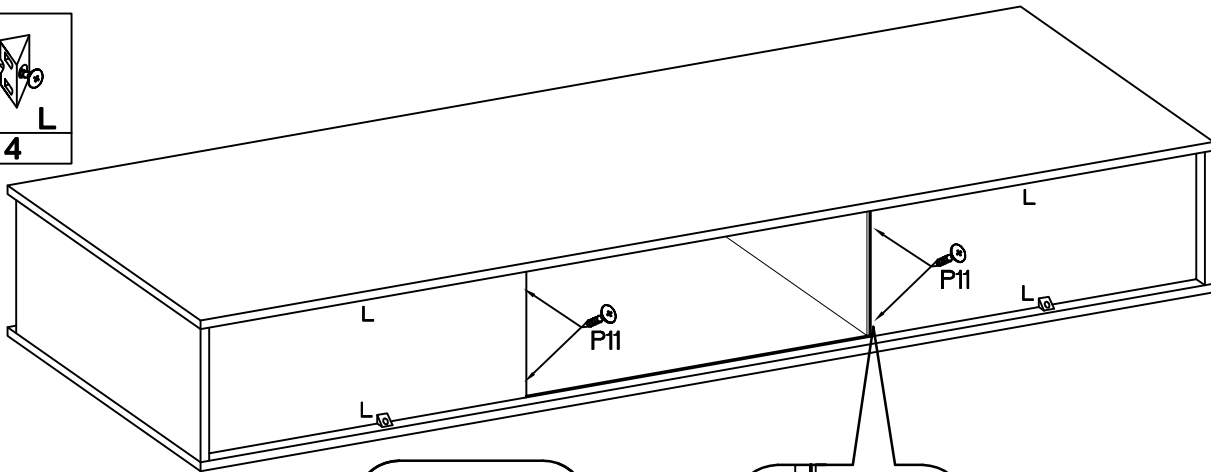
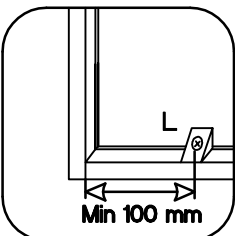
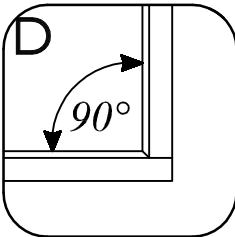
P11

4



L

4



9

∅3.0x16mm



E

16

∅3.0x16mm



P11

6

30x30mm



S

2

M4x22mm



U

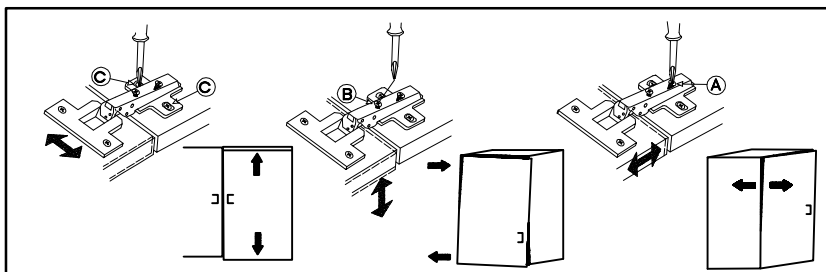
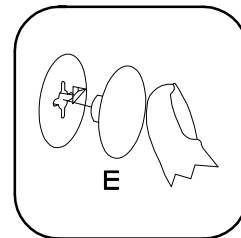
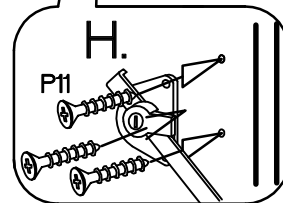
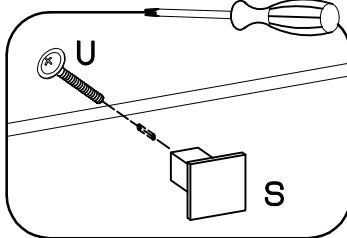
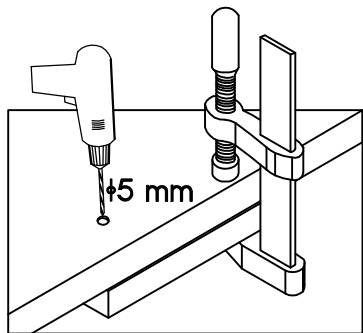
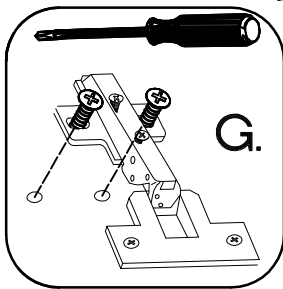
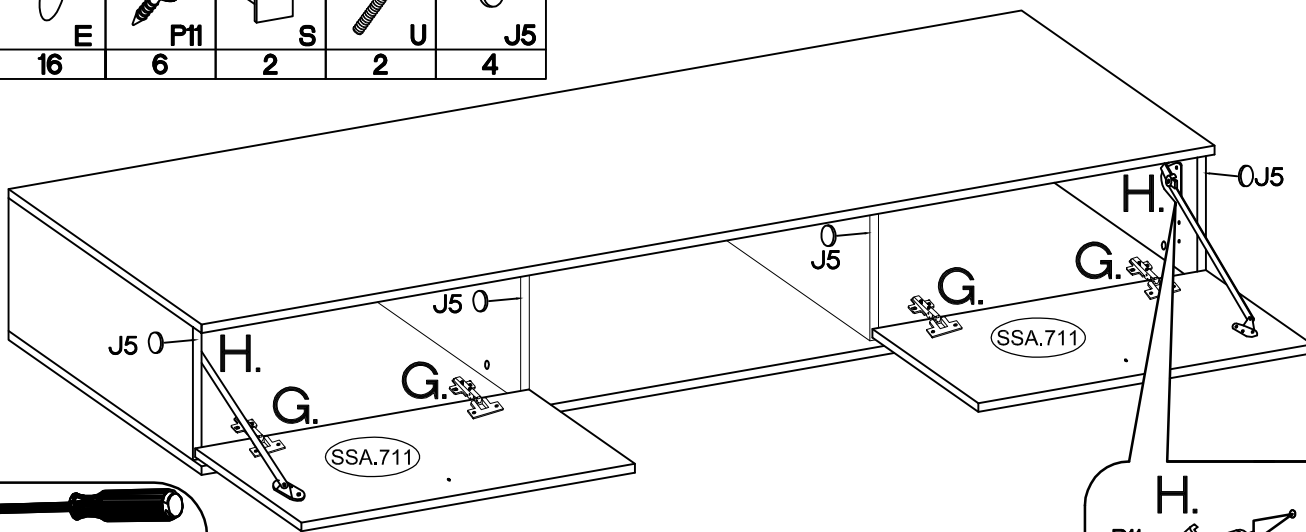
2

∅3.0x16mm

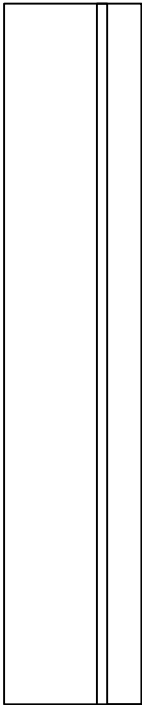
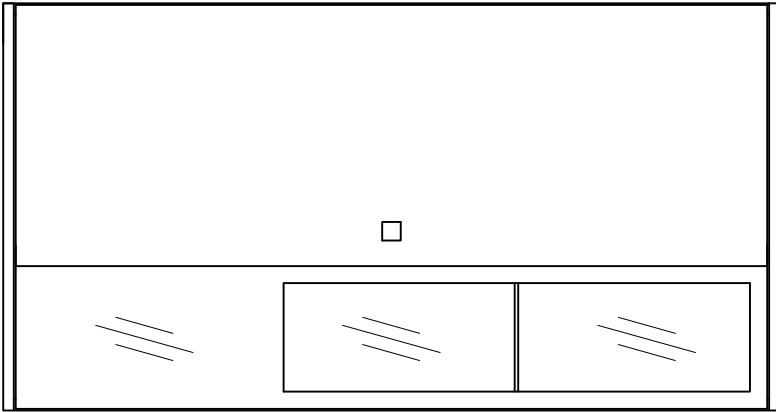


J5

4



1800mm



2400mm

