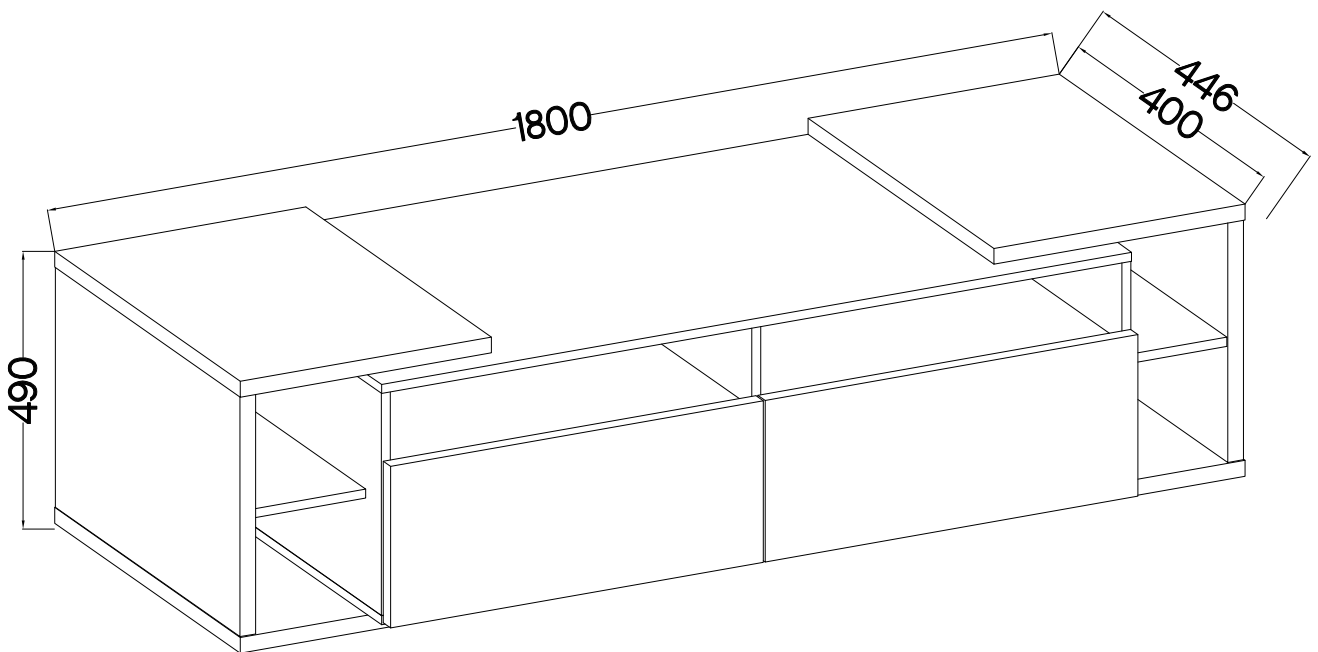
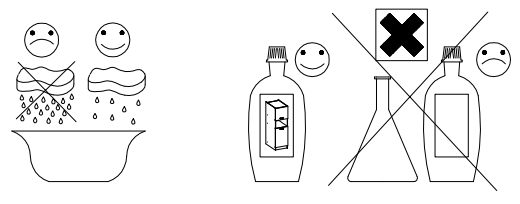
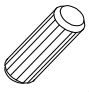
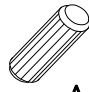


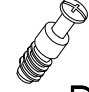
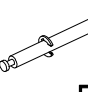


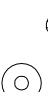
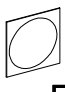
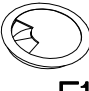
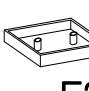

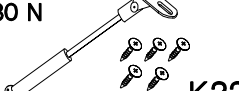






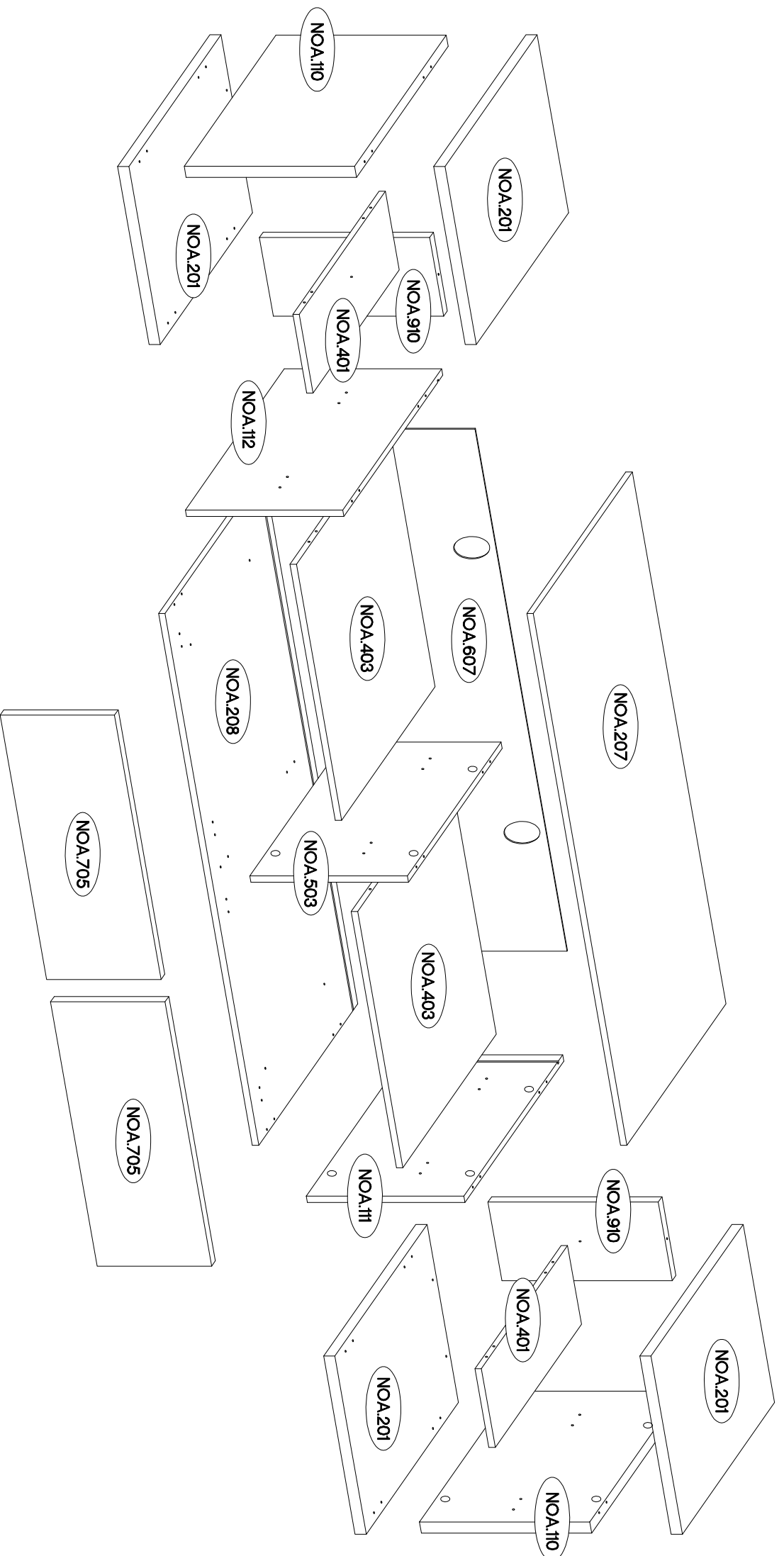


90 min

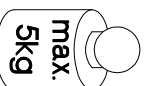


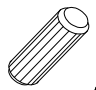
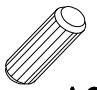


 A	 A2	 B	 C	 D2	 D4	 ant. E	 szar. E	 E1	 E13
32	2	2	40	36	2	20	20	2	4
 E17	 F28	 HG	 L=270mm 80 N BARKOWY K33	 L	 O	 P1	 P5	 P7	 P25 BLACK
2	8	4	2	14	1	16	8	10	8

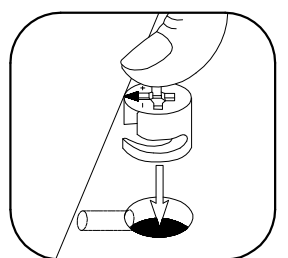
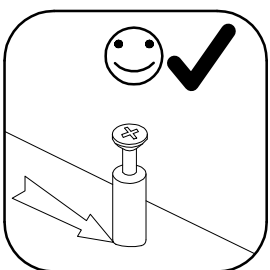
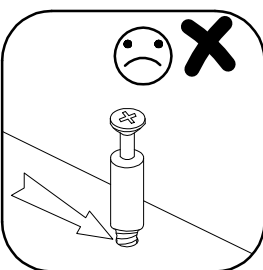
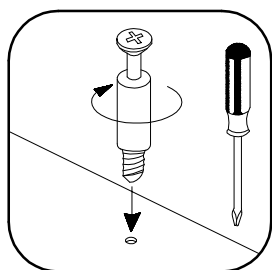
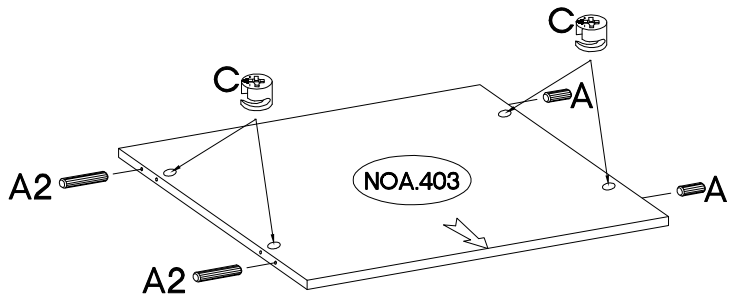
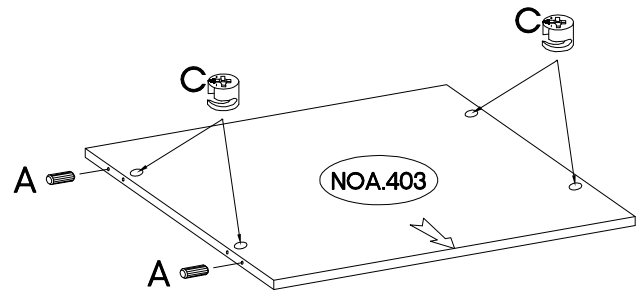
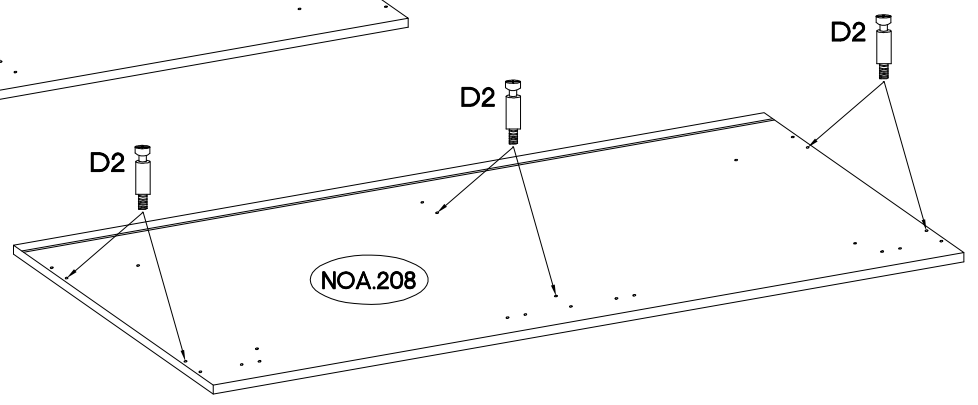
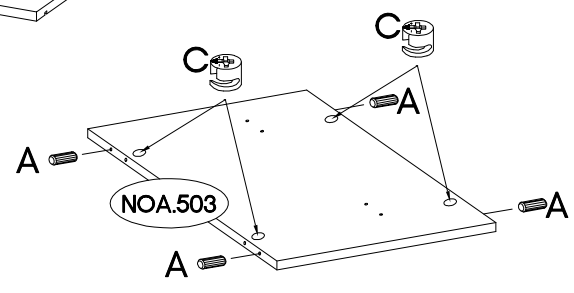
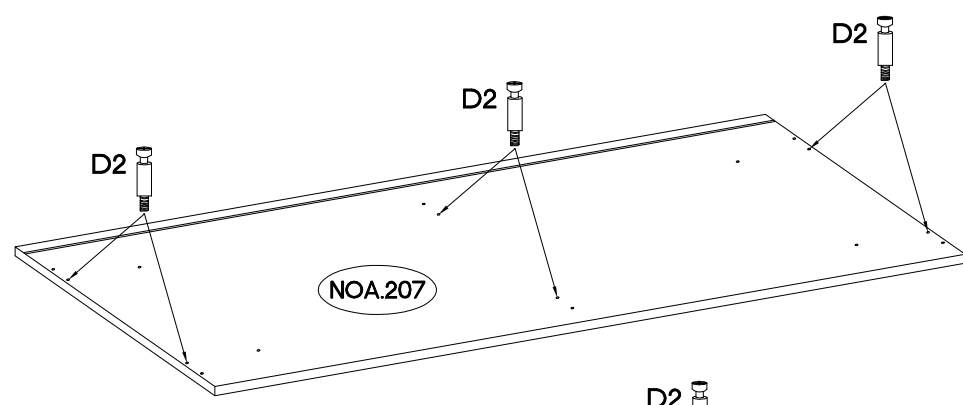
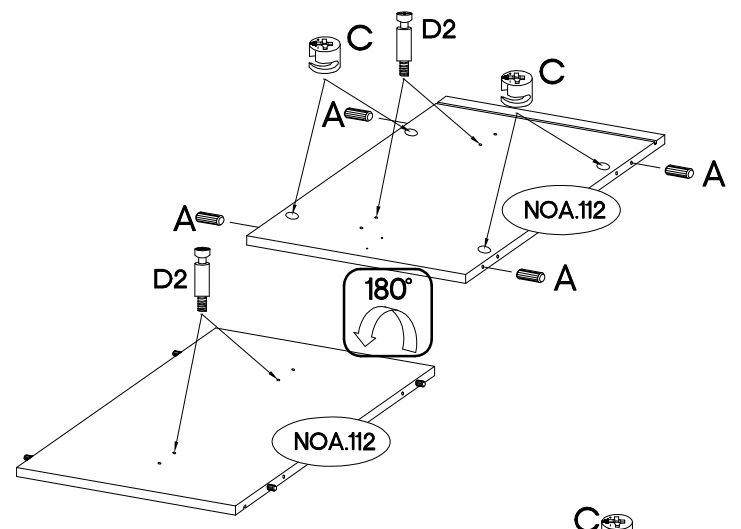
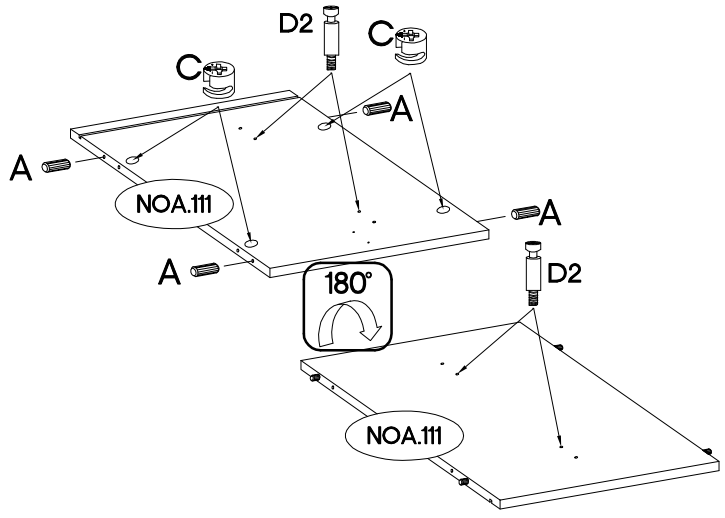
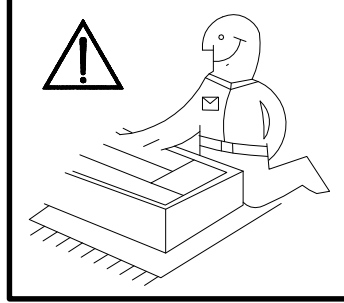
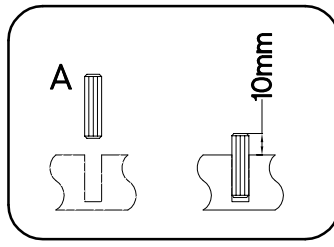


	NOA.111	392x429x16
	NOA.112	392x429x16
	NOA.401 x2	199x374x16
	NOA.403 x2	647.5x406x16
1/2	NOA.503	392x407x16
	NOA.705 x2	285x668x16
	NOA.910 x2	424x199x16

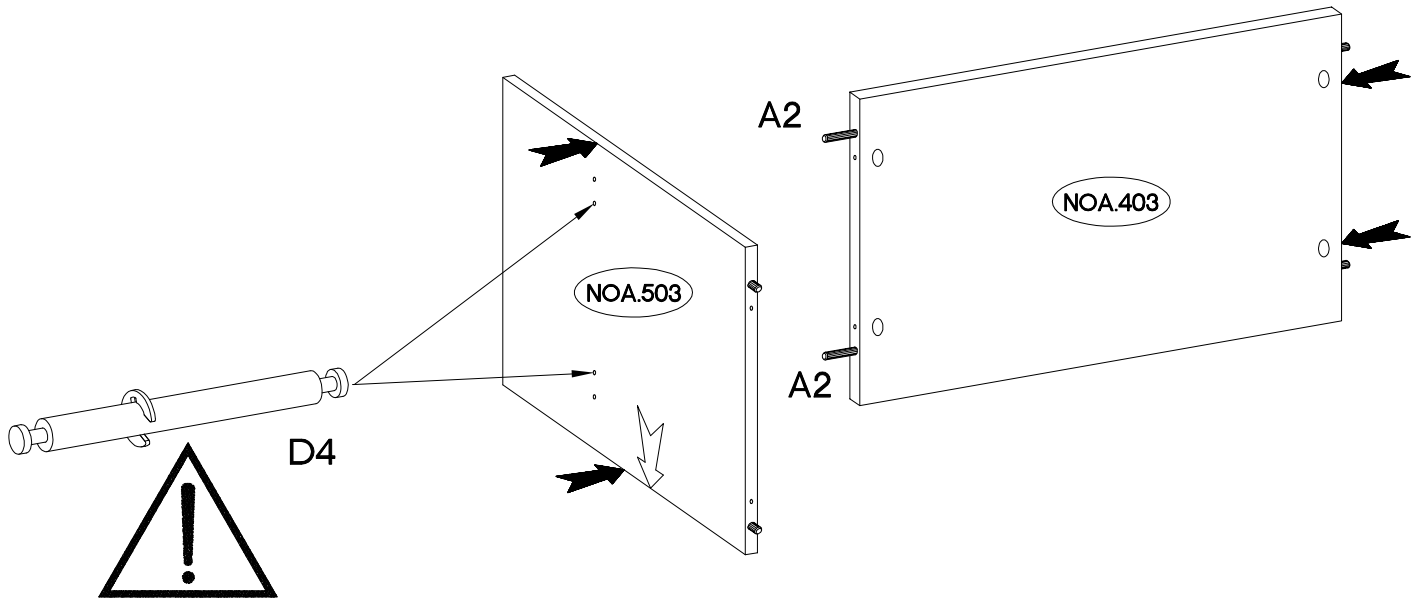
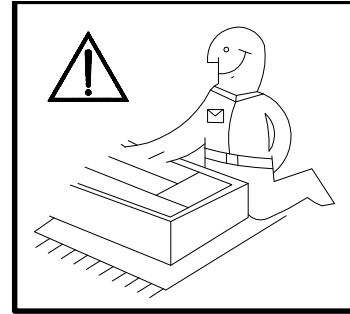
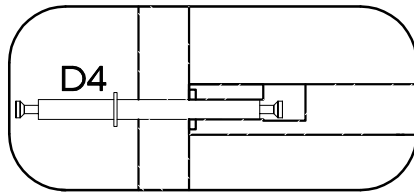
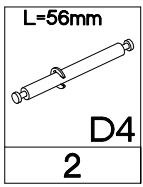
	NOA.110 x2	424x398x28
	NOA.201 x4	450x400x28
2/2	NOA.207	1344x430x16
	NOA.208	1344x430x16
	NOA.607	1320x401x2,5



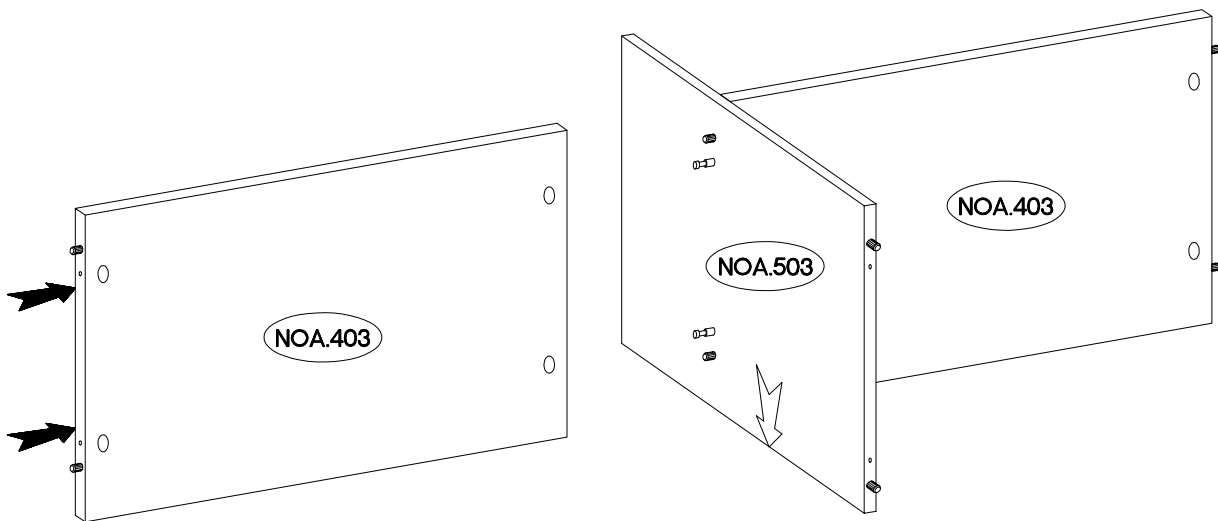
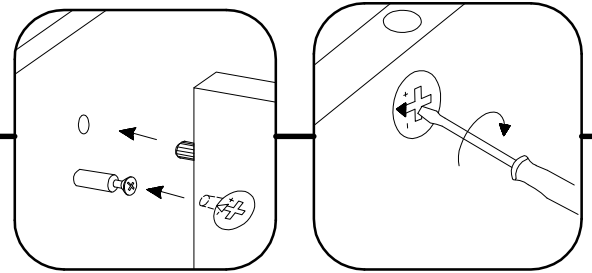
 A 16	 A2 2	 D2 20	 C 20
--	--	---	--



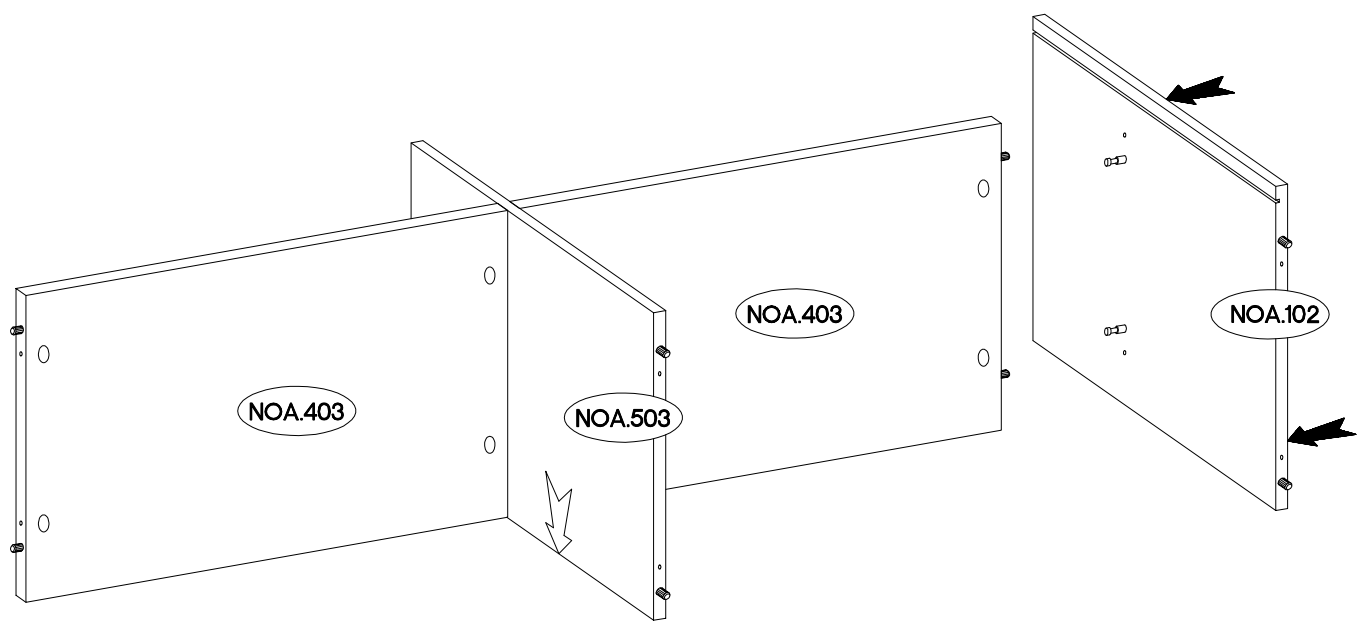
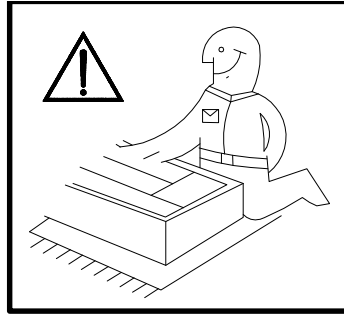
2



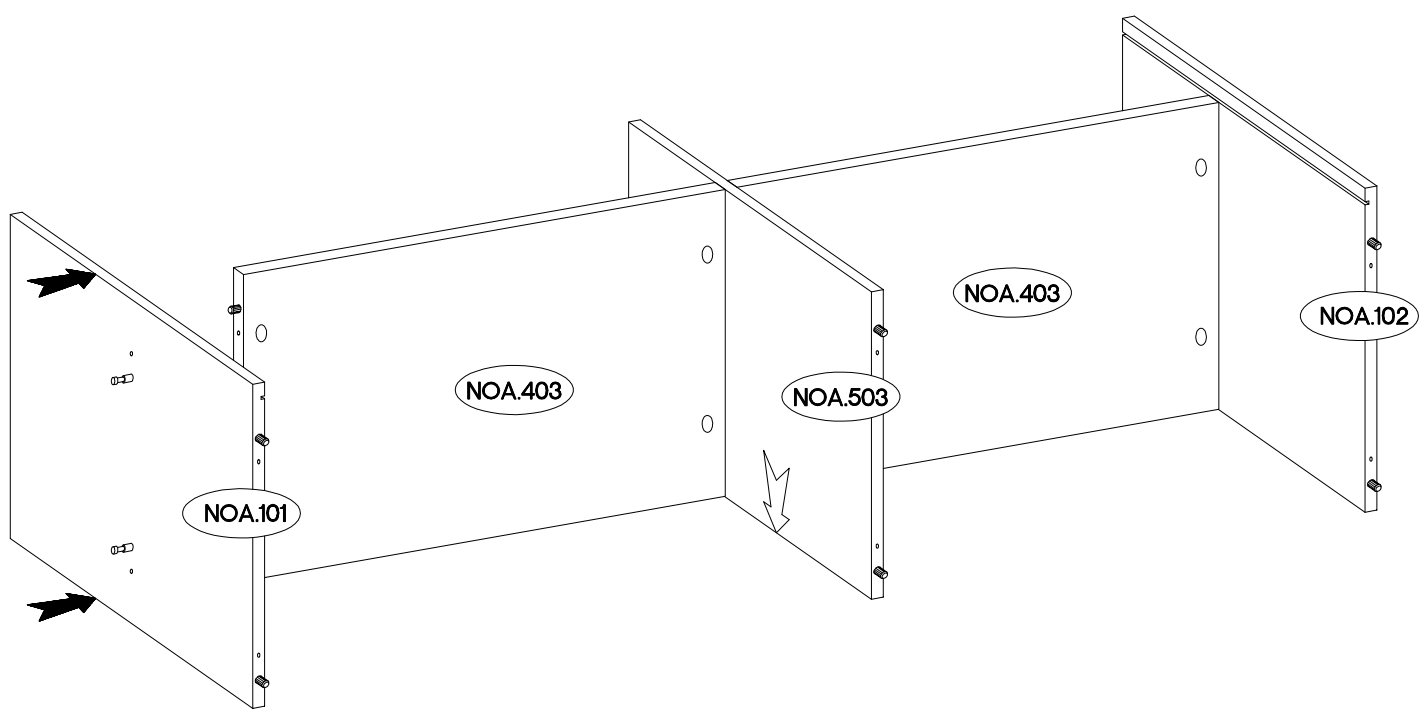
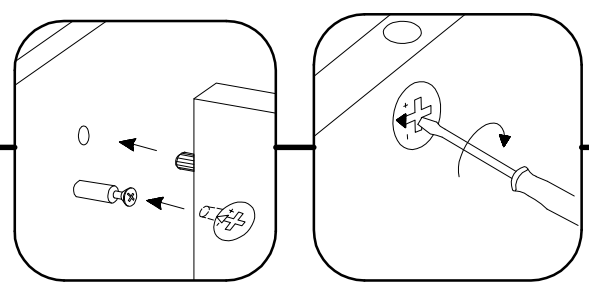
3



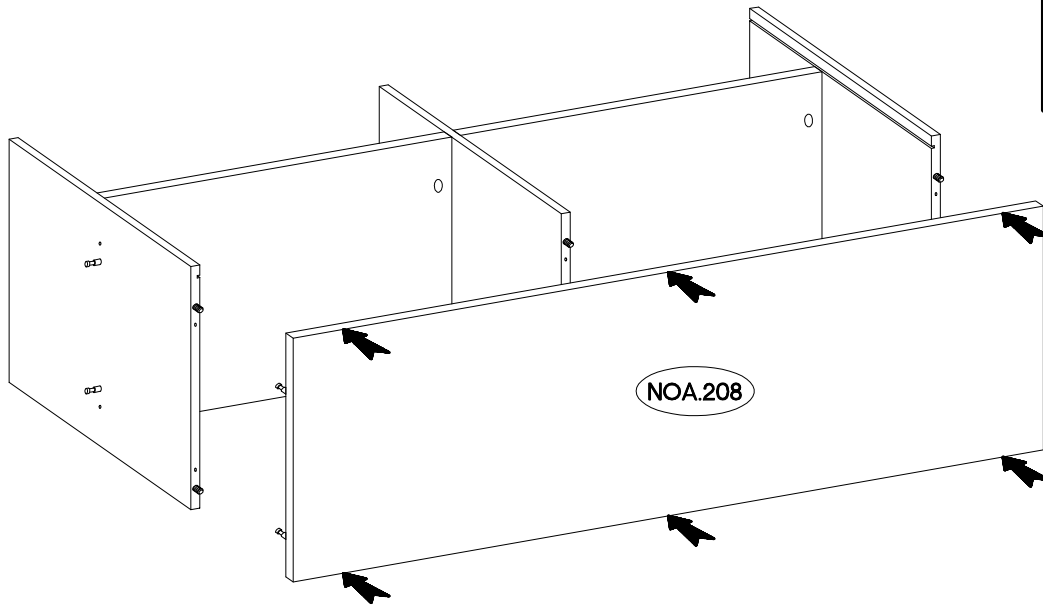
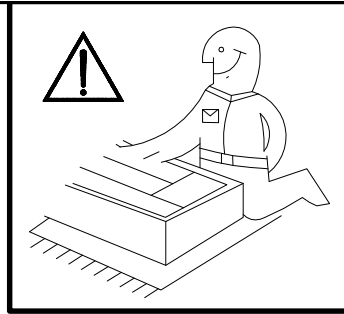
4



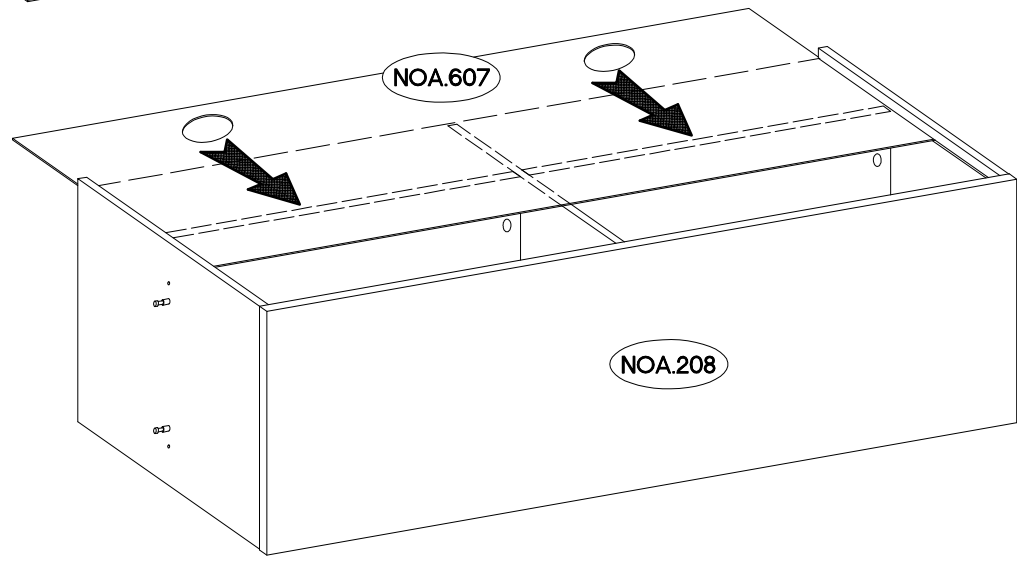
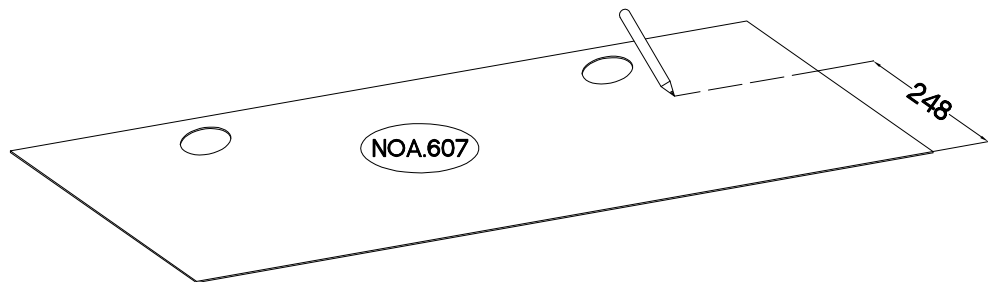
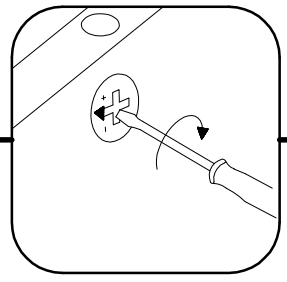
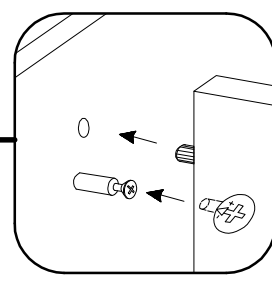
5



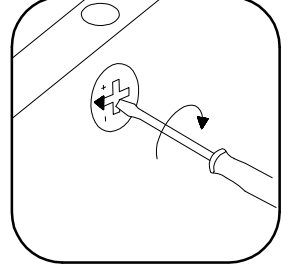
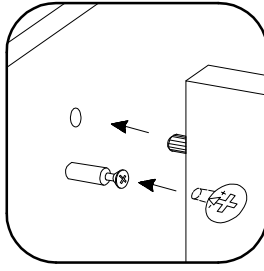
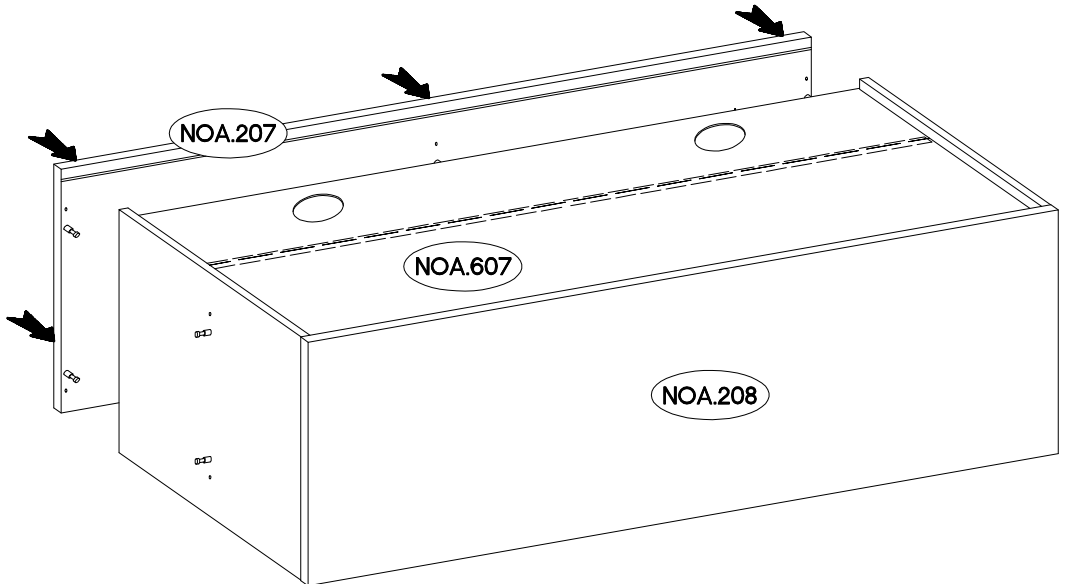
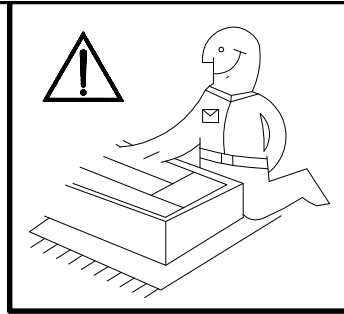
6



7

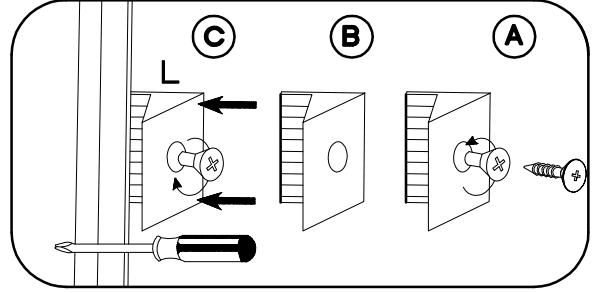
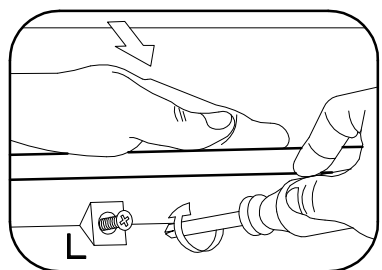
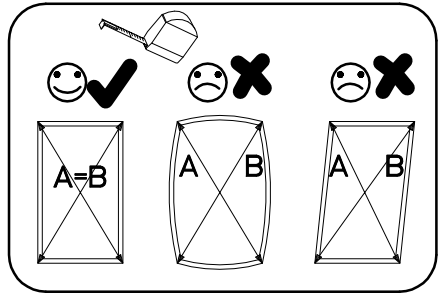
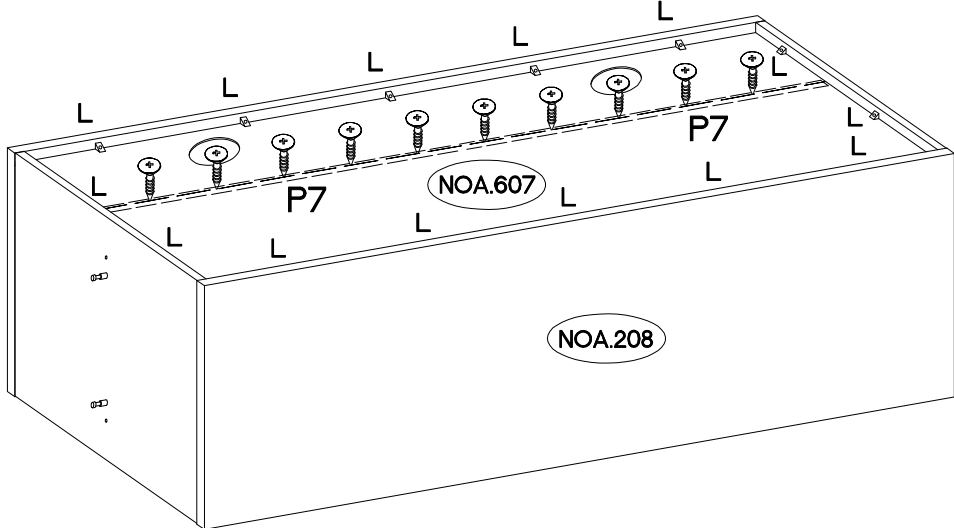
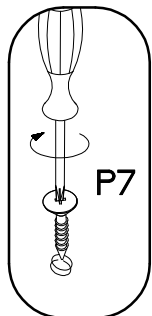


8



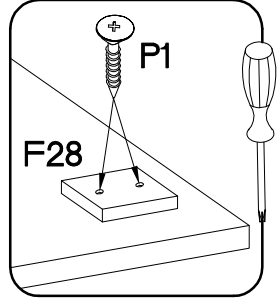
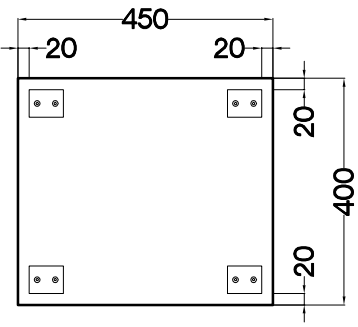
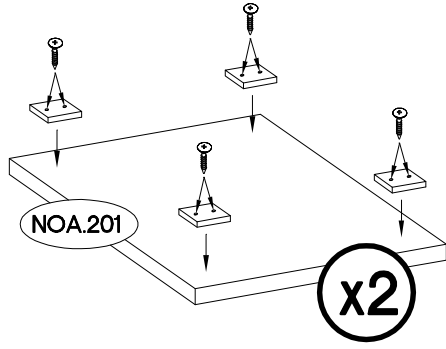
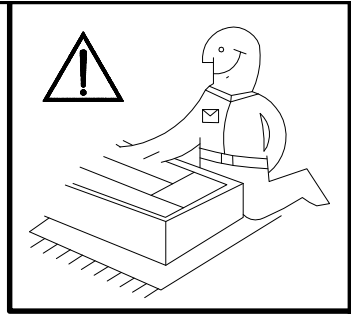
9

#3.0x20mm	
P7	L
10	14



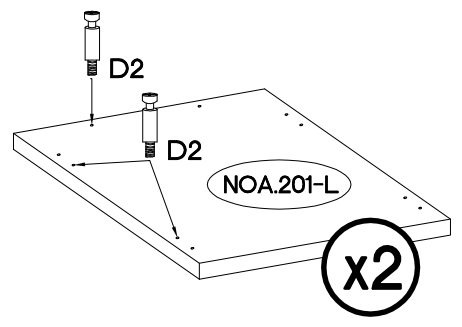
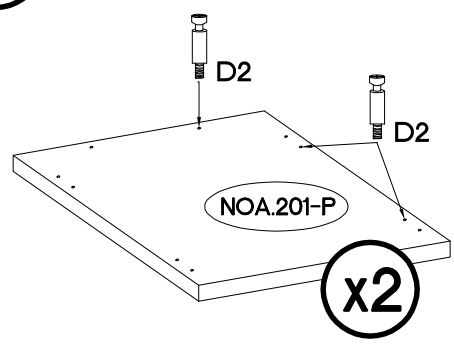
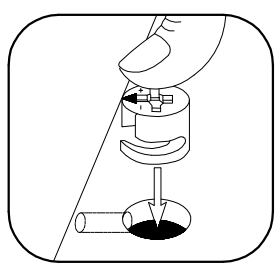
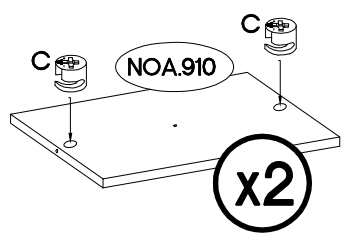
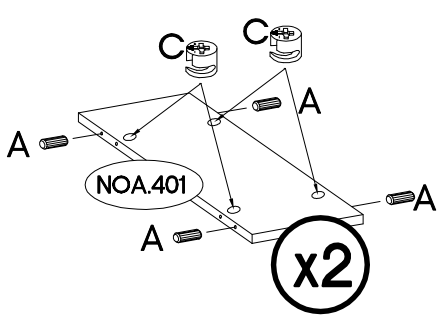
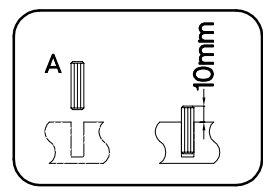
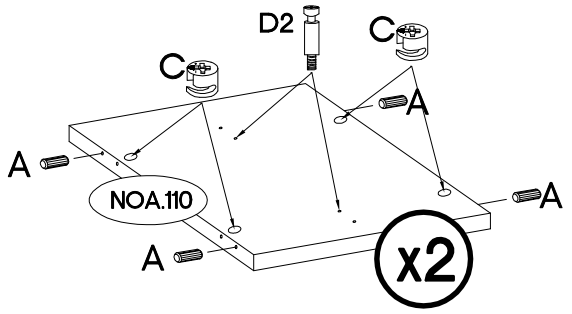
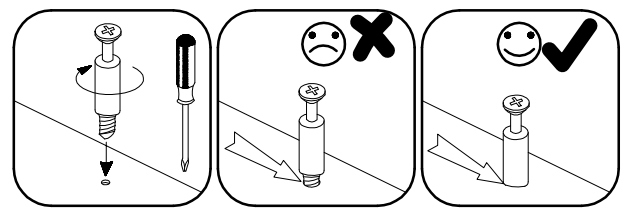
10

60x49x10	±4.0x16mm
F28	P1
8	16

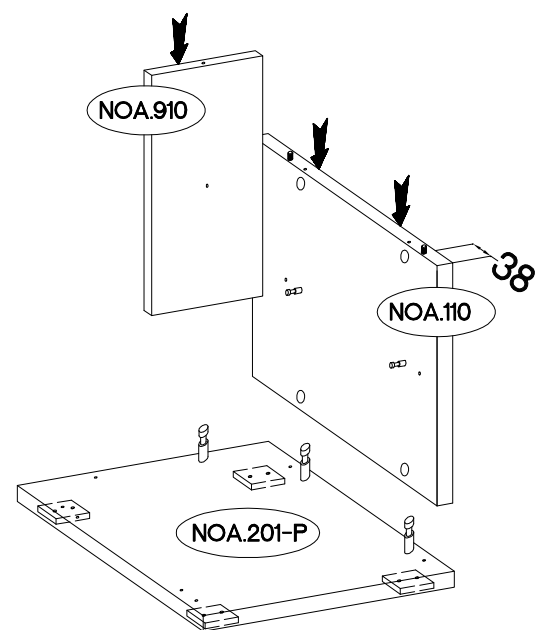
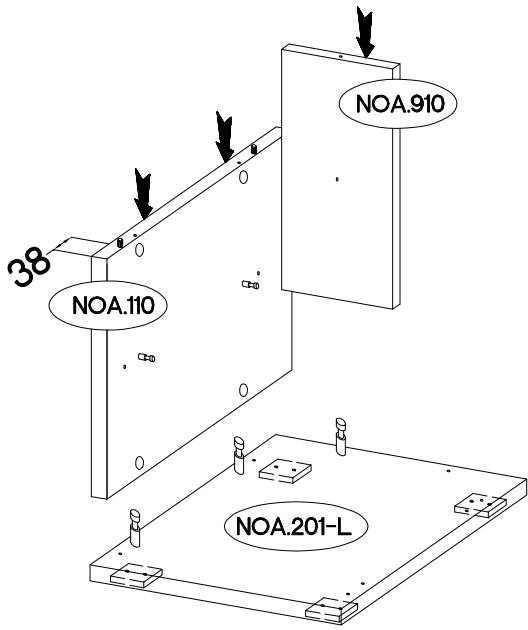
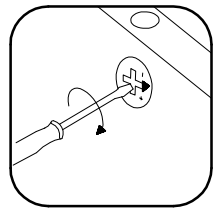
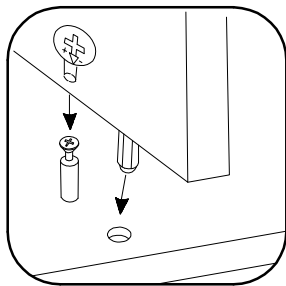


11

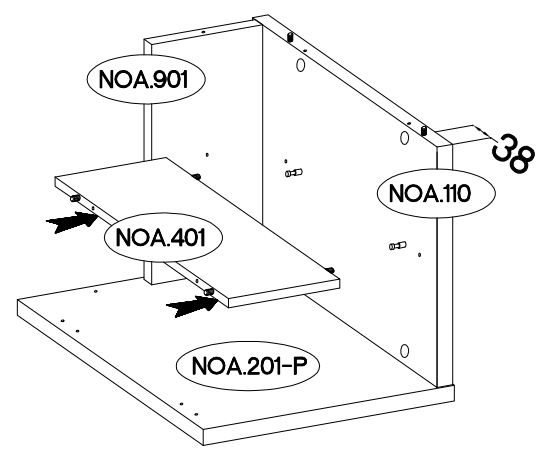
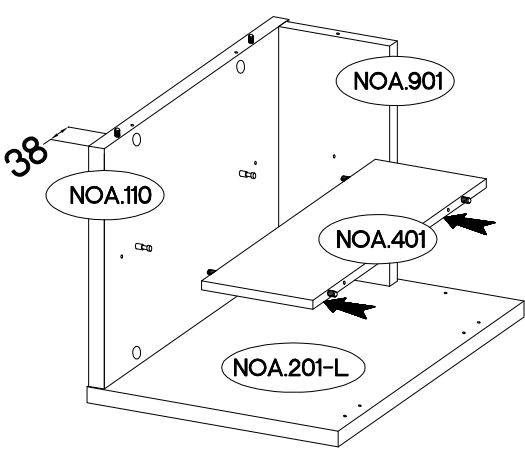
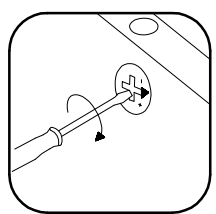
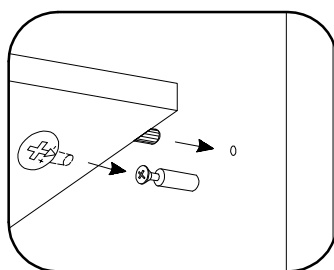
±8x30mm	L=20mm	±15/12mm
A	D2	C
16	16	20




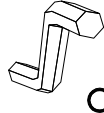

12

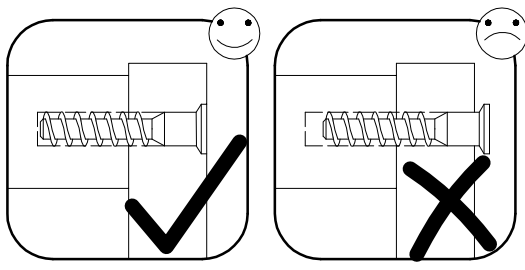
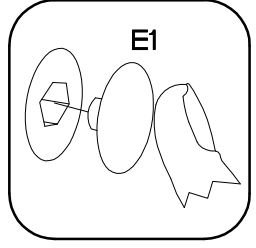
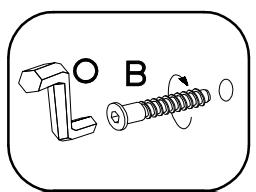
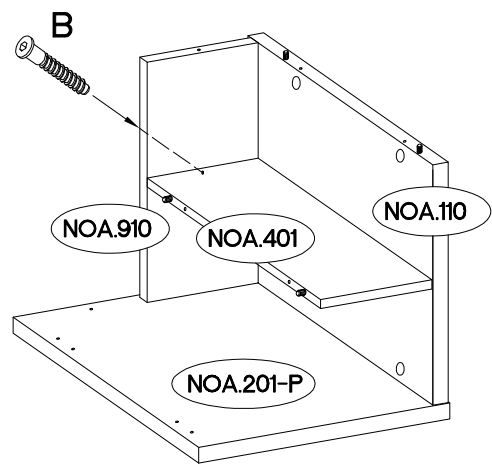
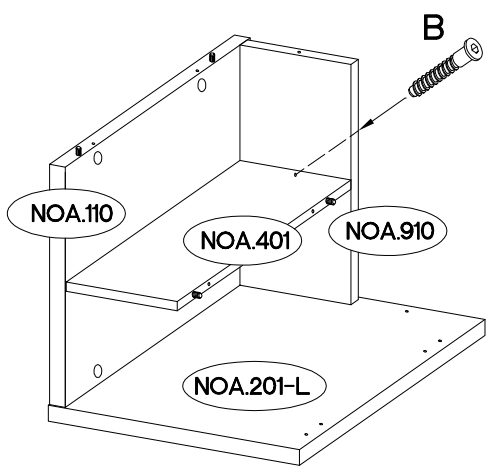


13

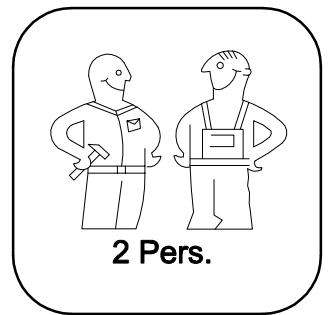
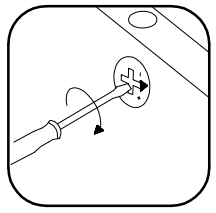
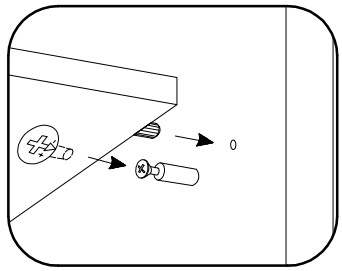
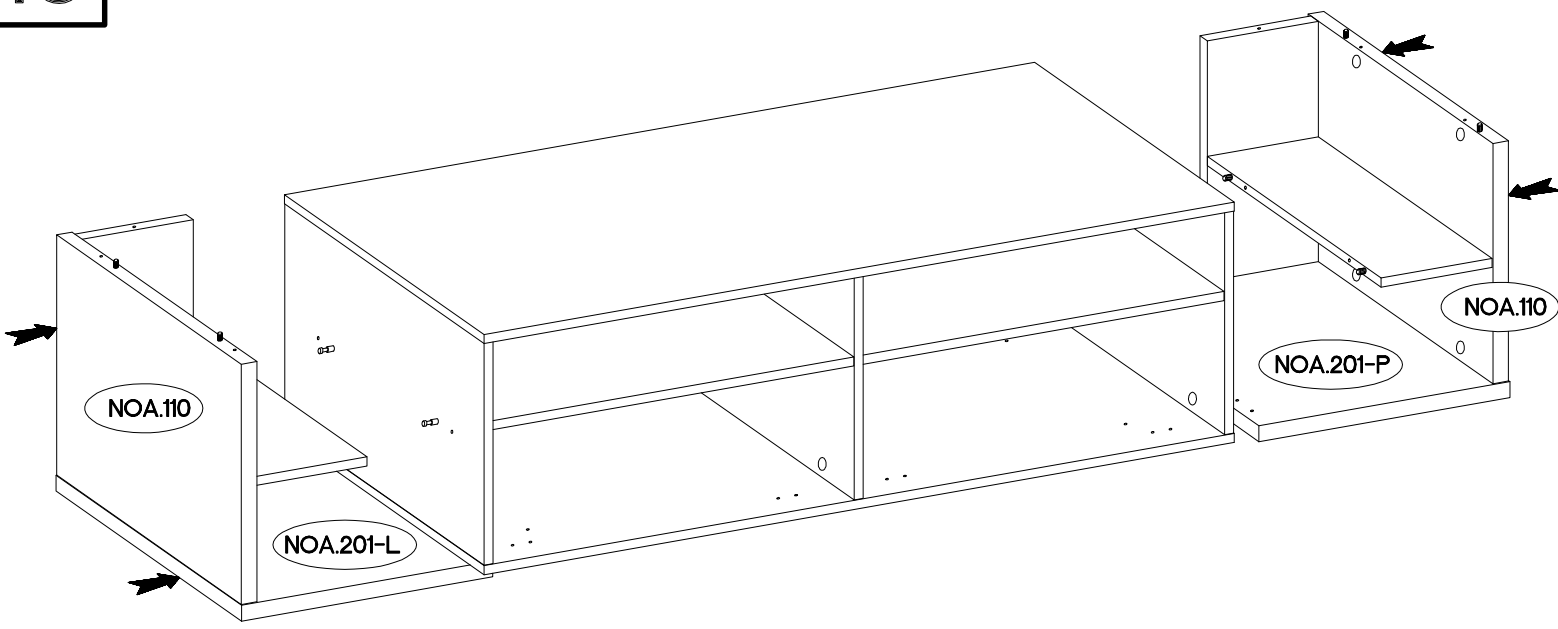


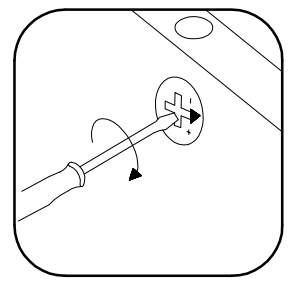
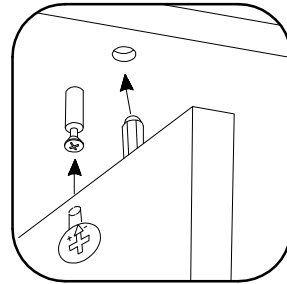
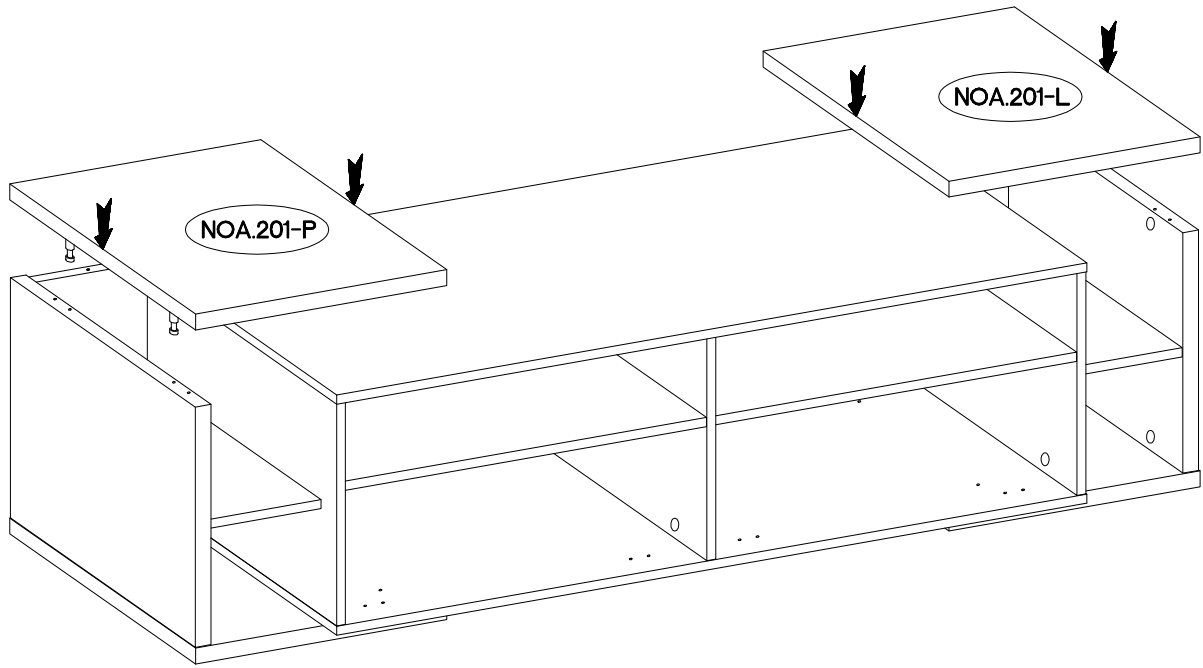
14



6,4 x 50mm		
		
B	O	E1
2	1	2

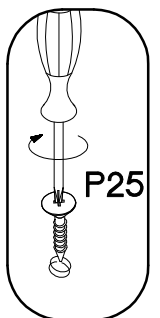
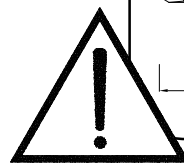
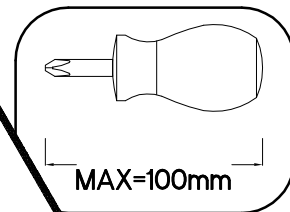
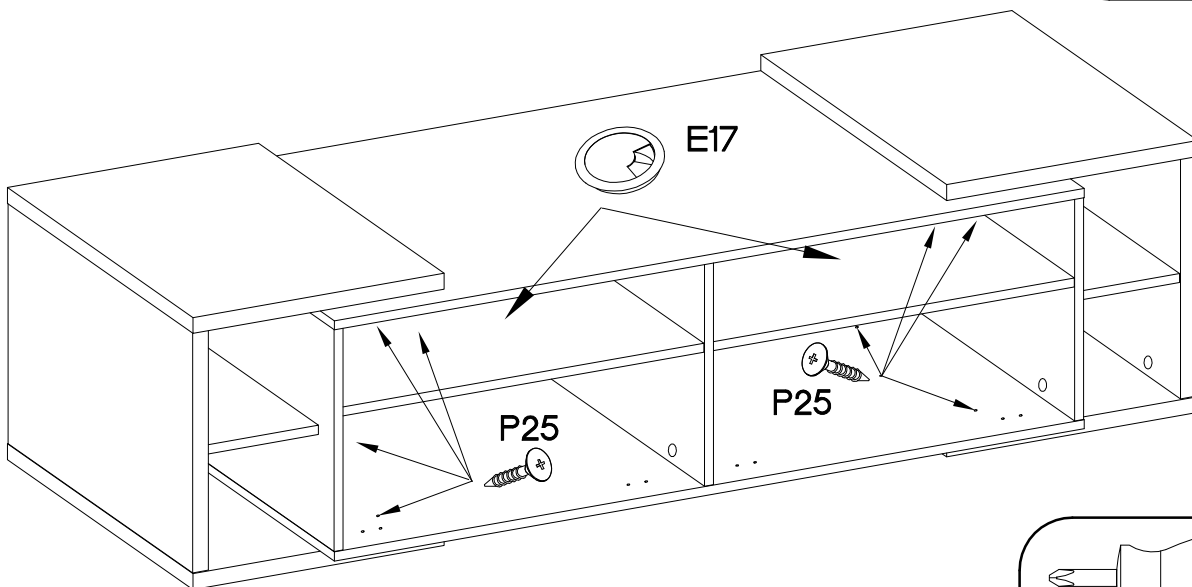
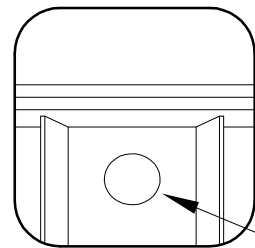


15



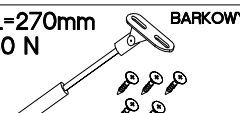


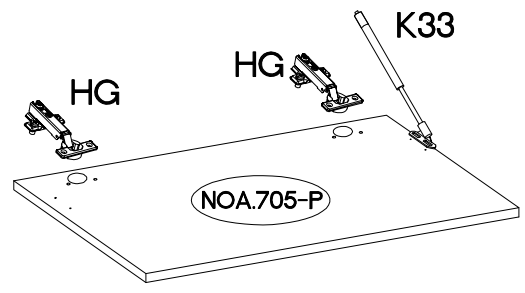
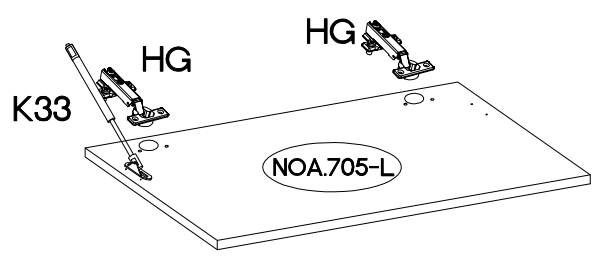
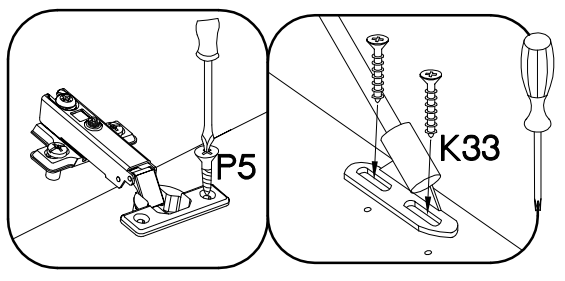


$\pm 3.5 \times 25 \text{mm}$ BLACK  P25 8	± 60  E17 2
---	---



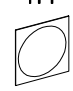


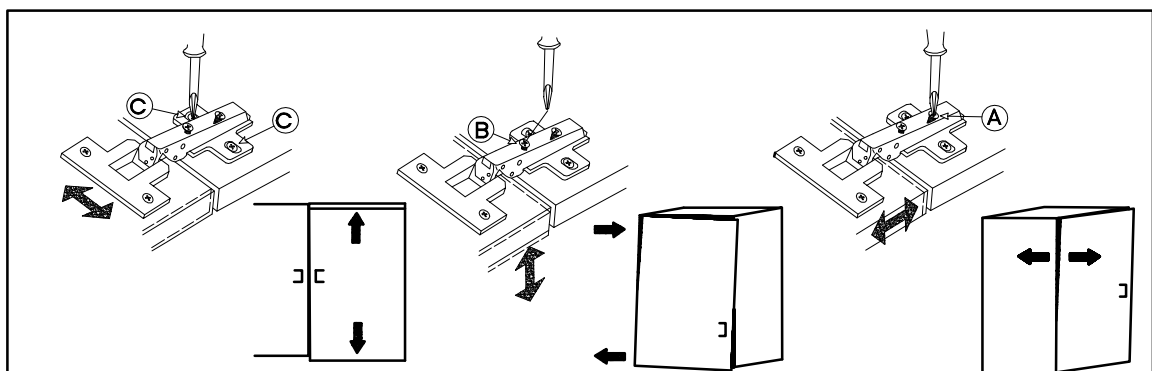
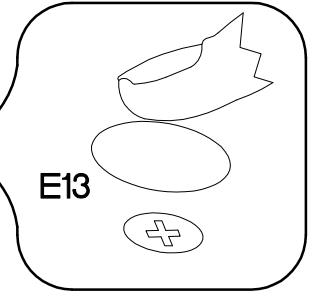
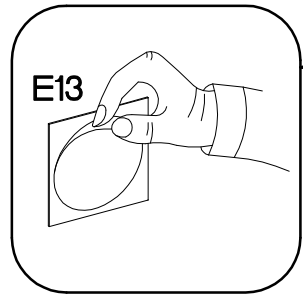
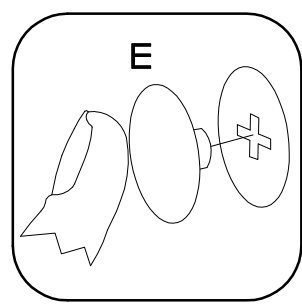
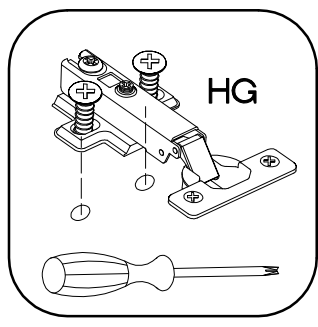
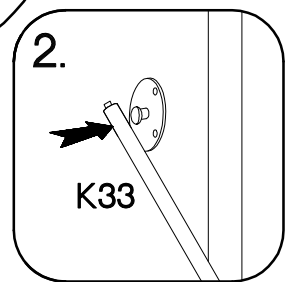
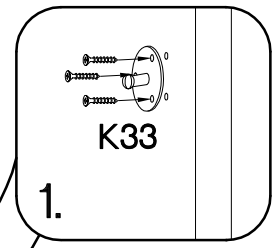
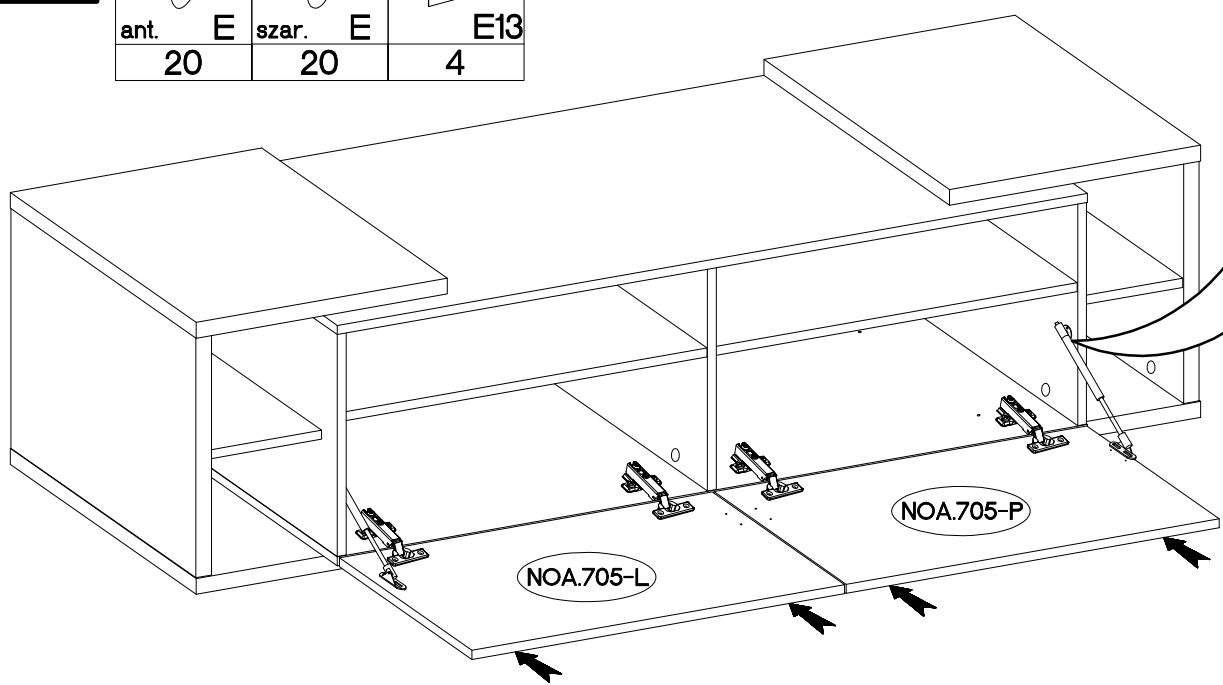
18

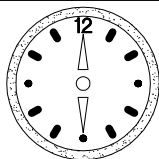
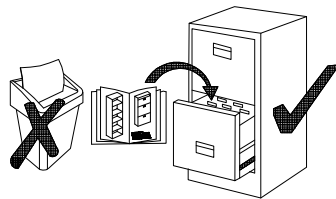
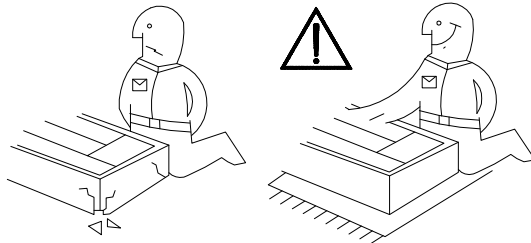
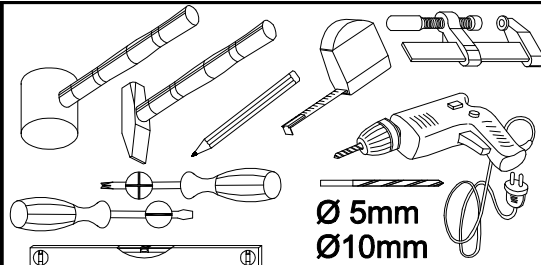
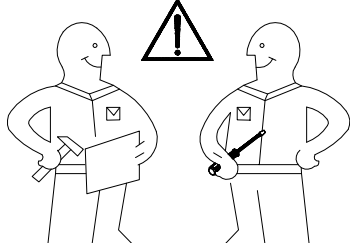
 HG 4	 P5 8	 BARKOWY L=270mm 80 N K33 2
---	---	--



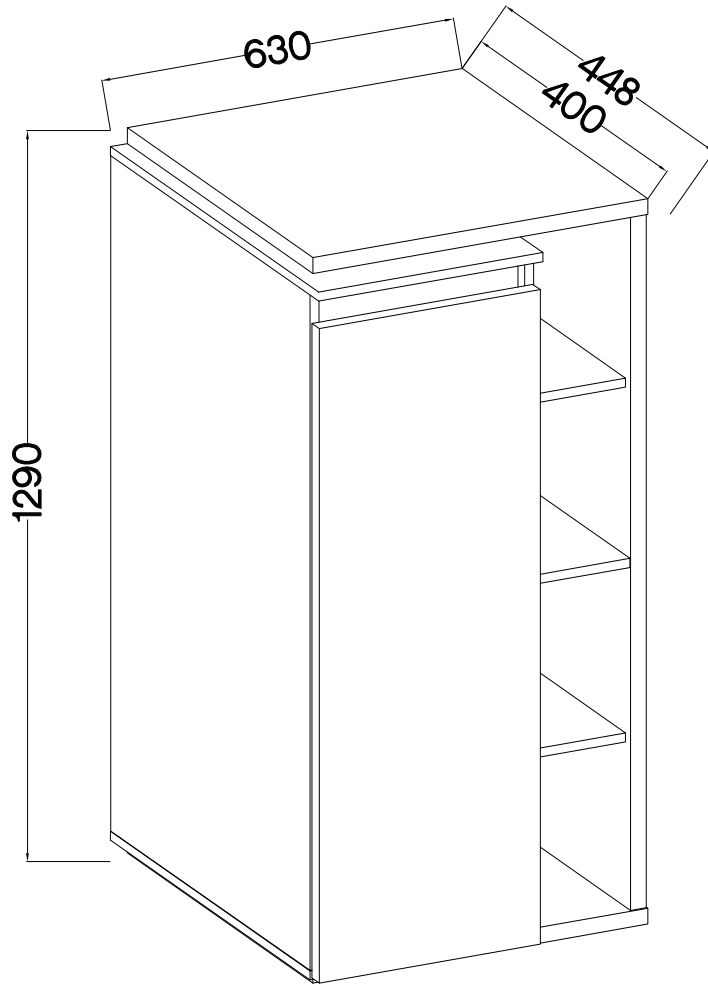
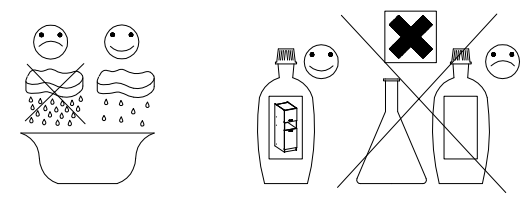
19

 ant. E 20	 szar. E 20	 E13 4
---	--	---

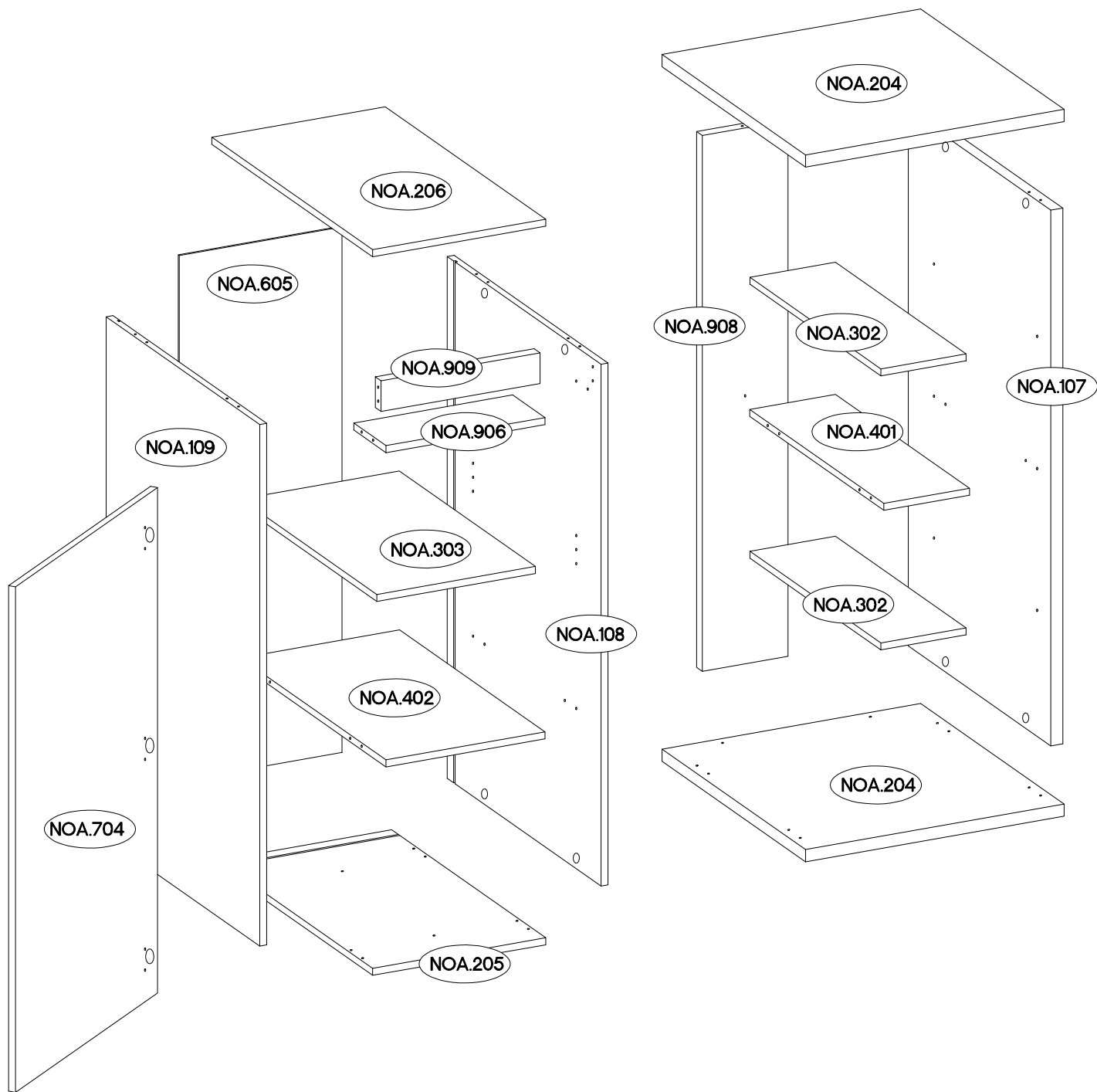




90 min



 A	 B	 C	 D2	 ant. E	 szar. E	 E1	 E13			
28	1	22	22	12	10	1	2			
 F28	 HG	 J3	 L	 L9	 O	 O7	 P1	 P5	 P7	 P25
4	3	12	8	1	1	1	8	7	3	4






1/2	NOA.108	1192x429x16
	NOA.109	1192x429x16
	NOA.205	402x430x16
	NOA.206	402x448x16
	NOA.302 x2	198x365x16
	NOA.303	368x380x16
	NOA.401	199x374x16
	NOA.402	369x406x16
	NOA.604	1201x378x2,5
	NOA.906	369x90x16
NOA.909	369x70x16	

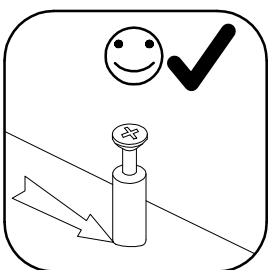
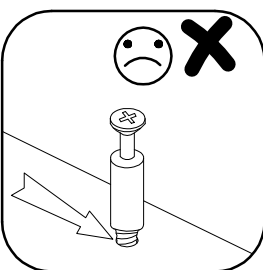
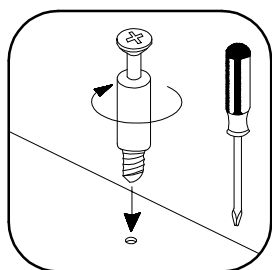
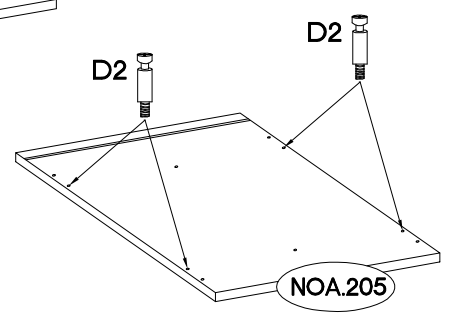
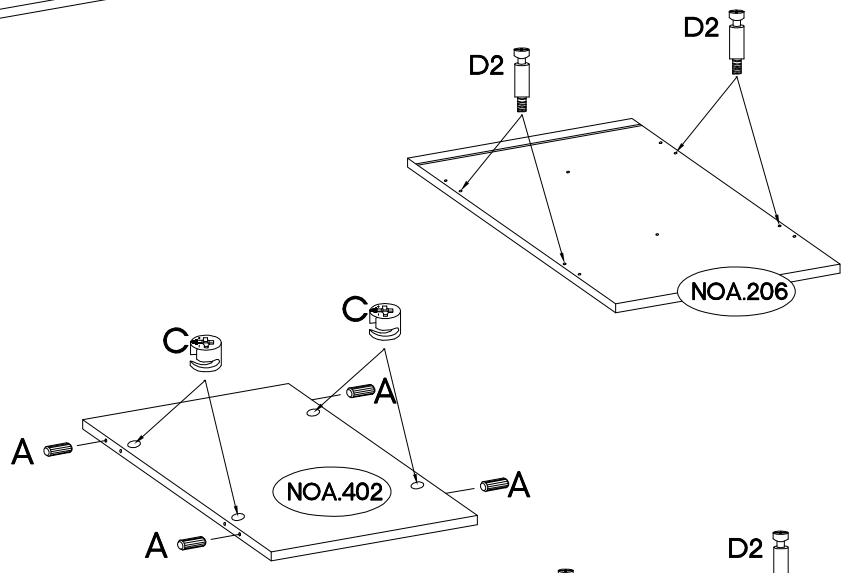
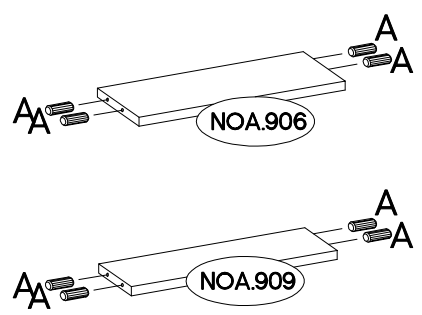
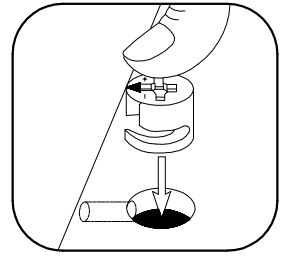
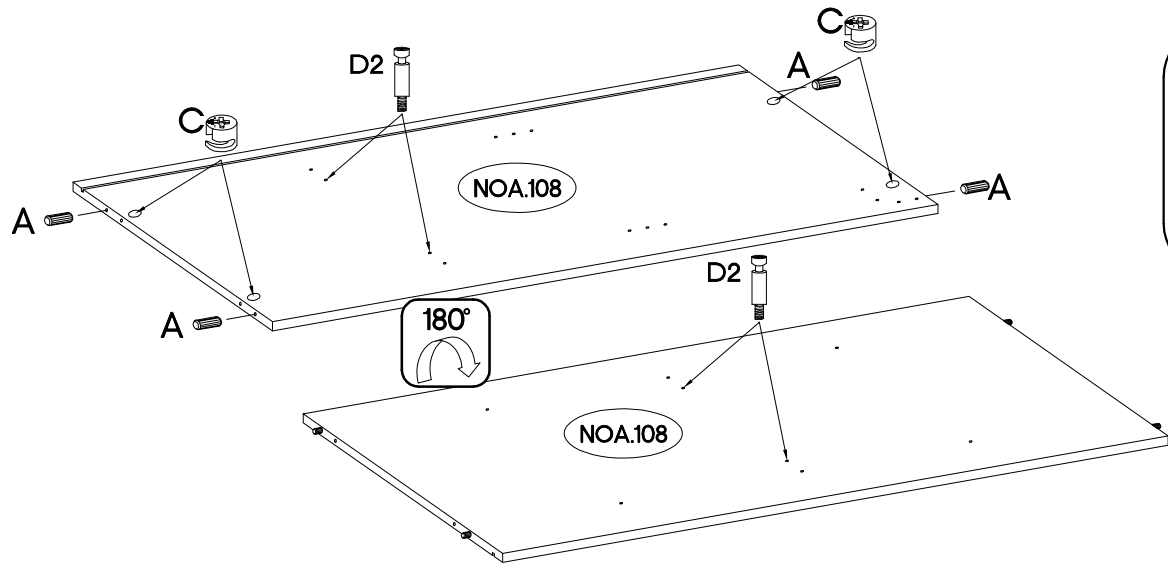
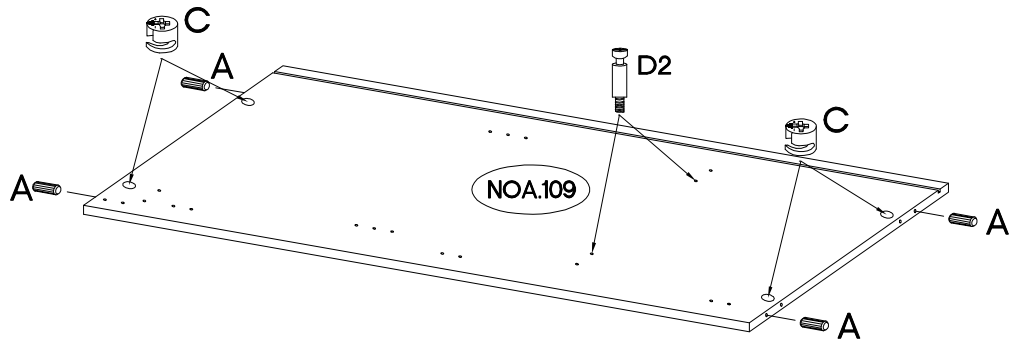
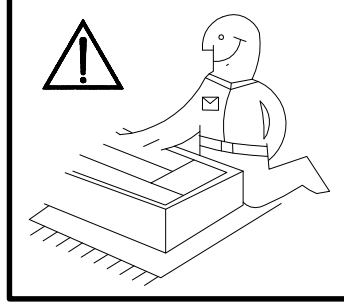
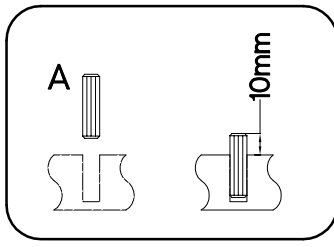
2/2	NOA.107	1224x398x28
	NOA.204 x2	600x400x28
	NOA.704	1155x396x16
	NOA.908	1224x199x16



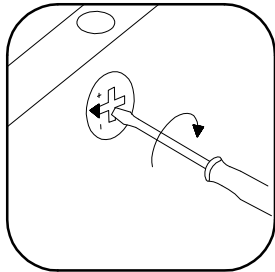
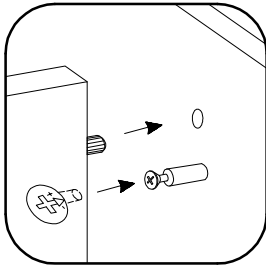
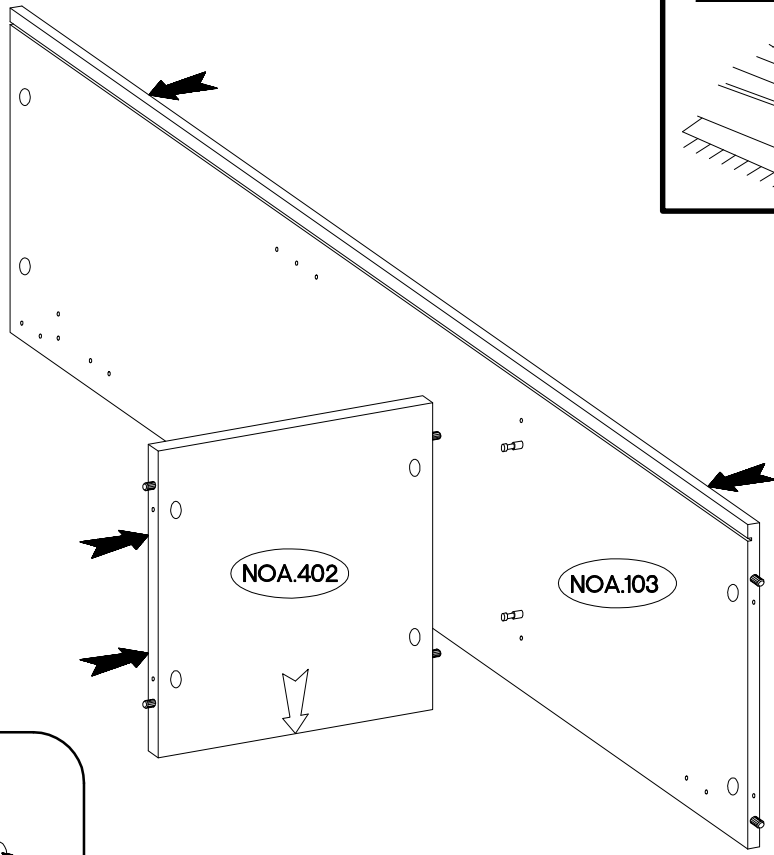
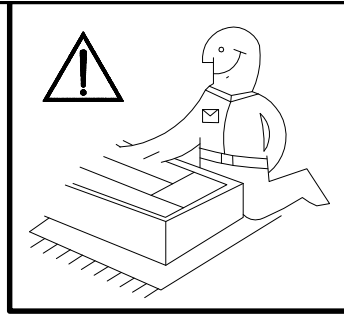
- NOA.302
- NOA.303
- NOA.401
- NOA.402

1

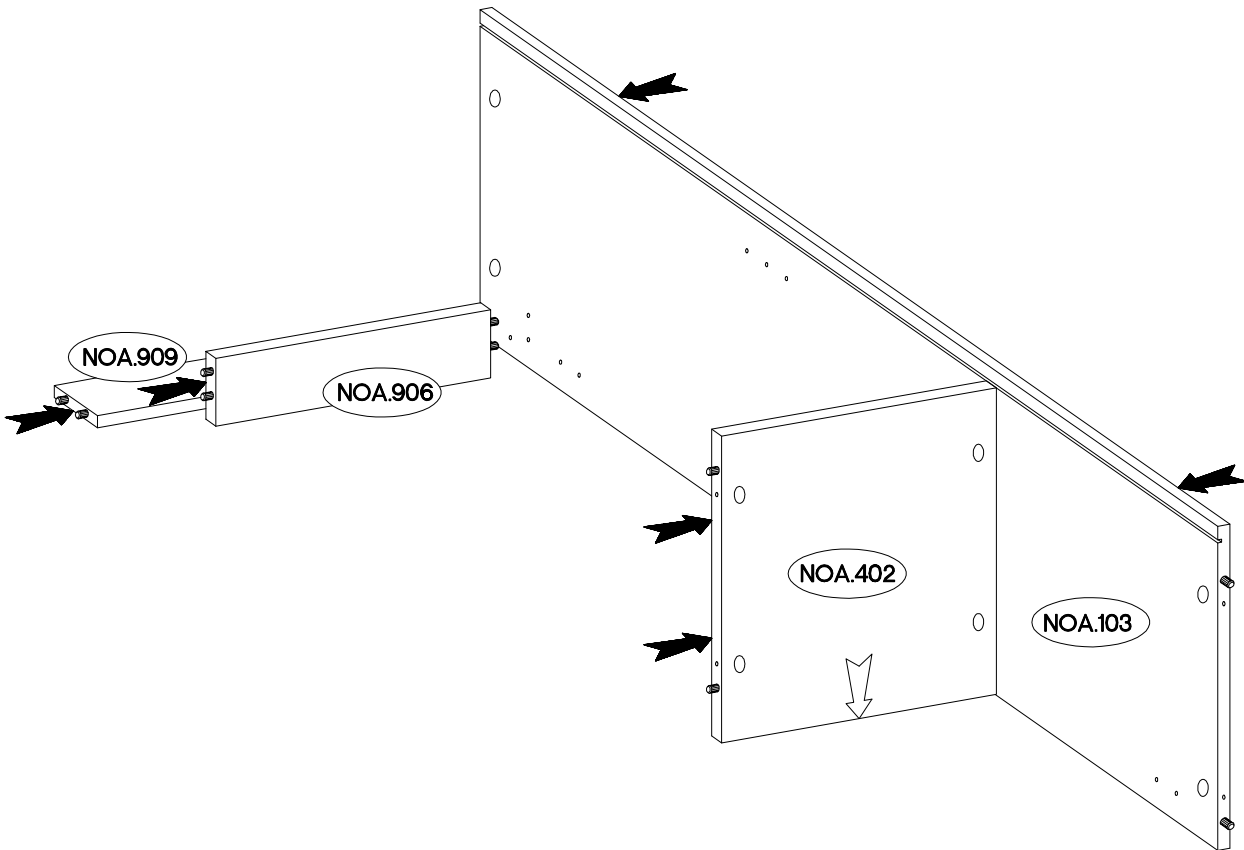
 A 20	 D2 14	 C 12
$\varnothing 8 \times 30 \text{mm}$	$L = 20 \text{mm}$	$\varnothing 15 / 12 \text{mm}$



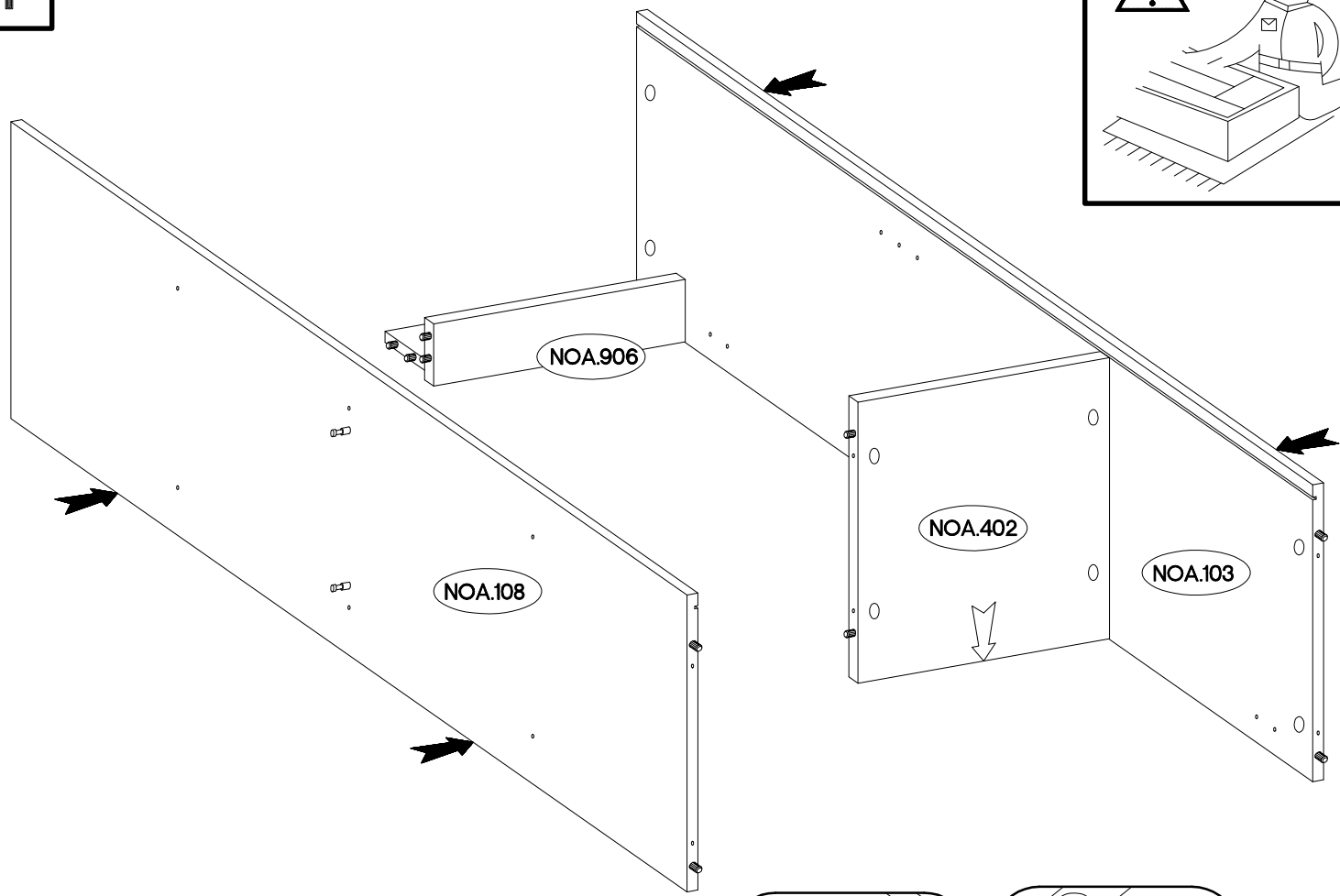
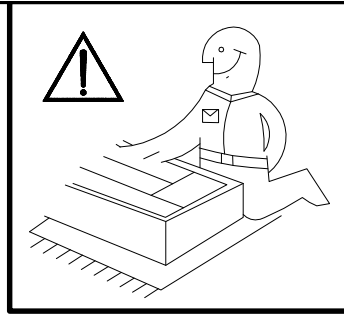
2



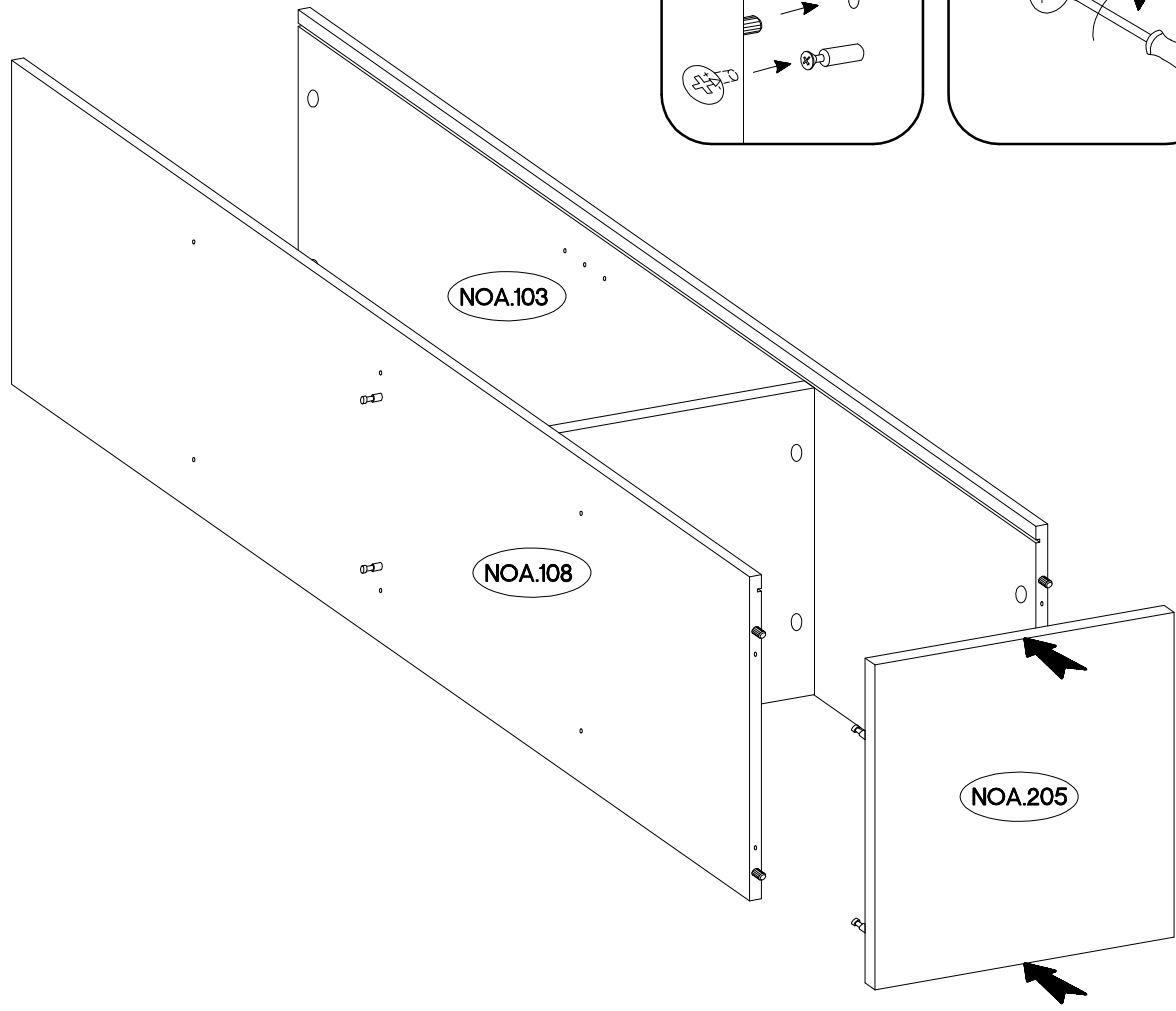
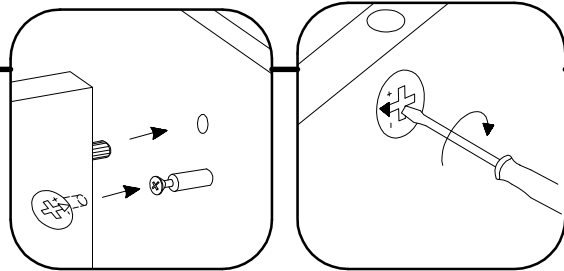
3



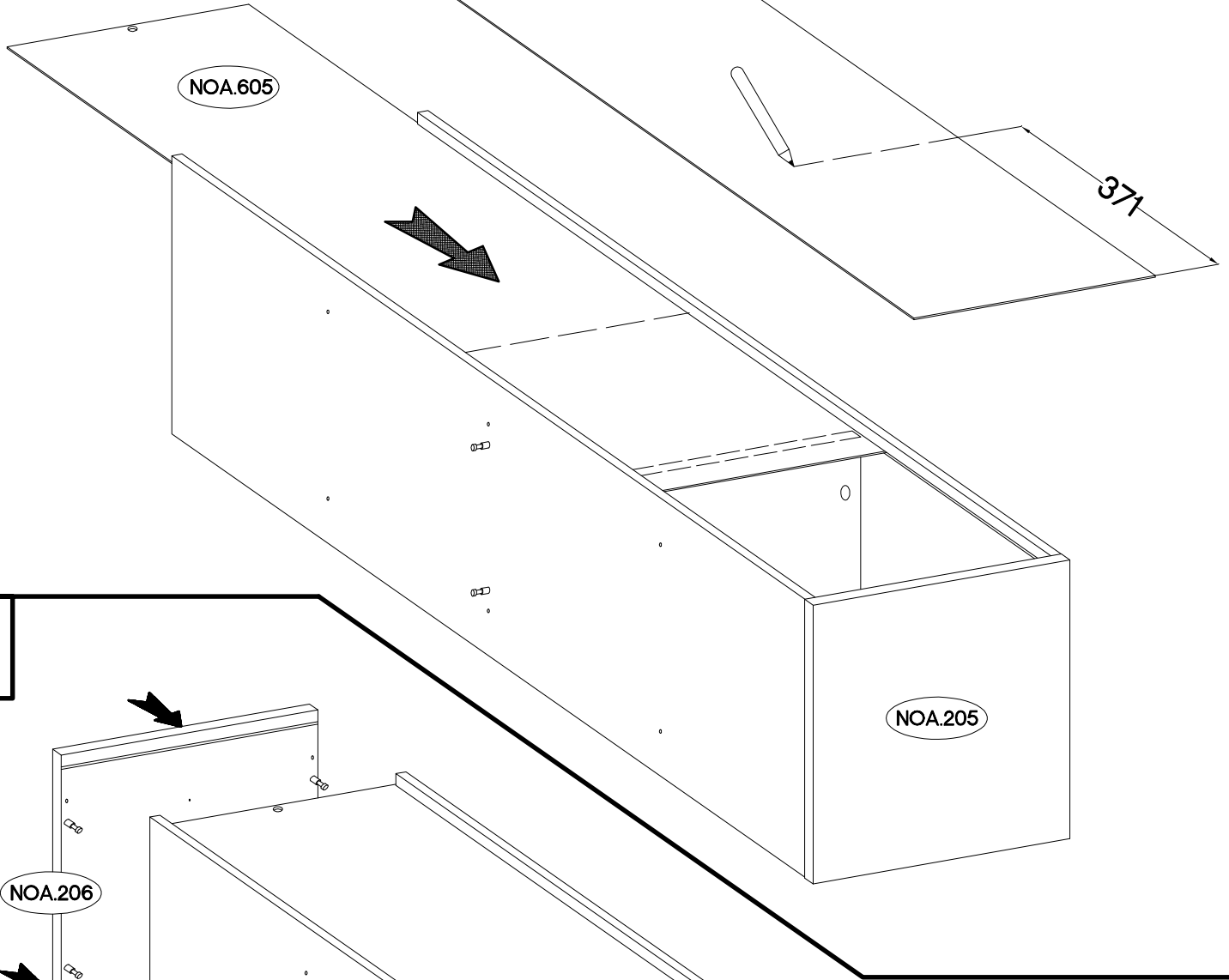
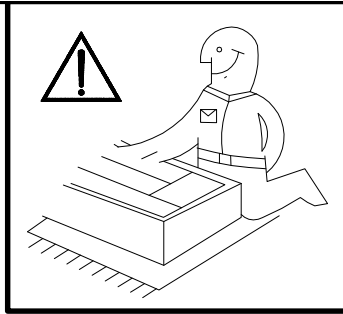
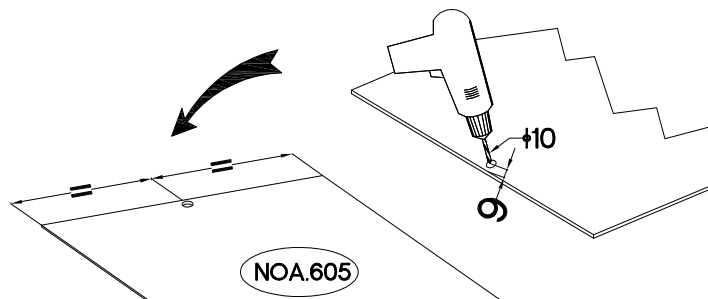
4



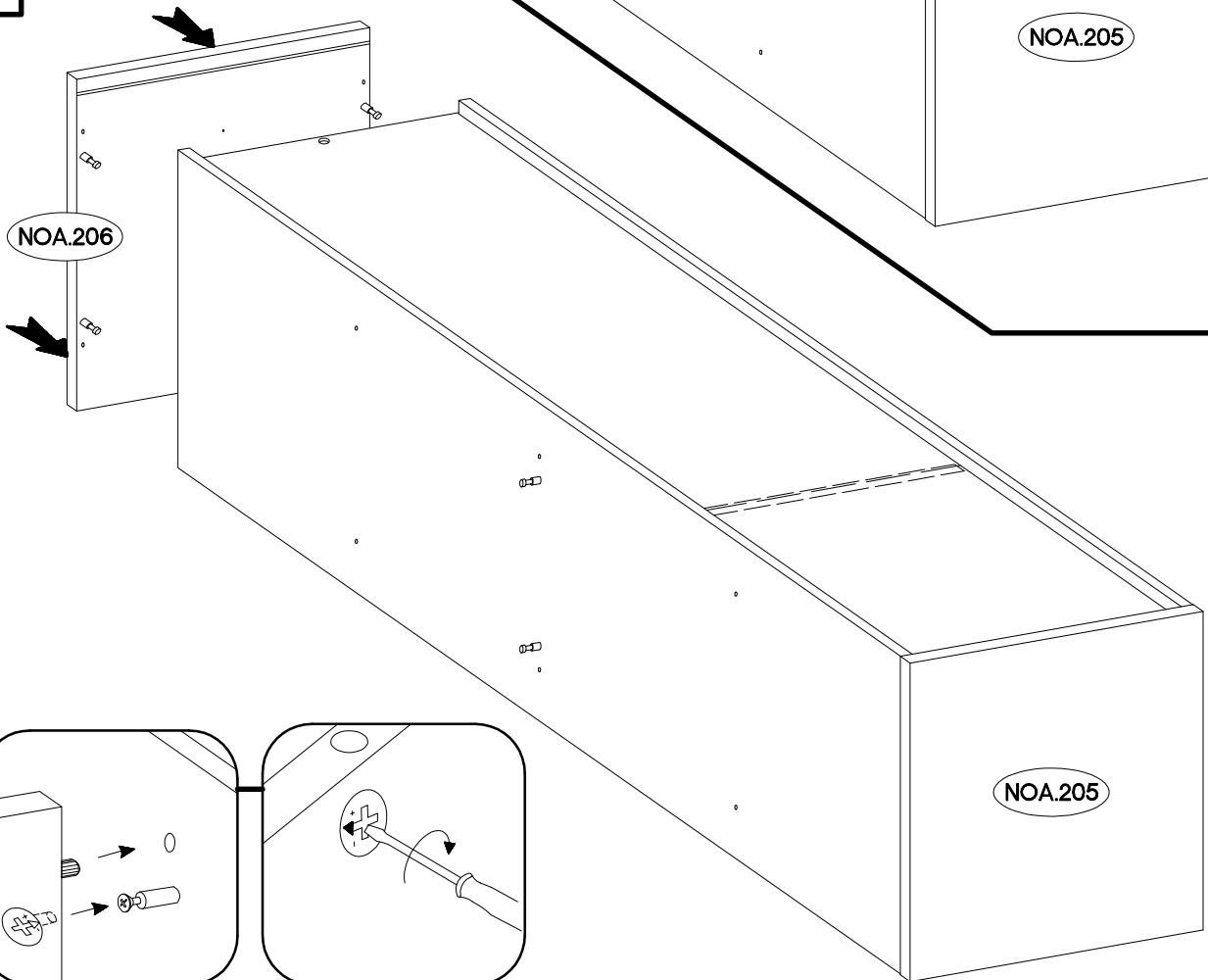
5




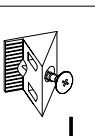
6

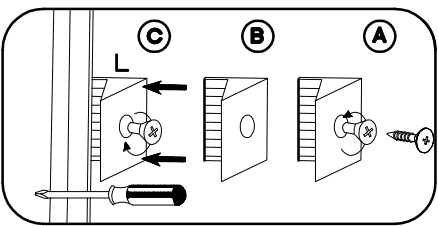
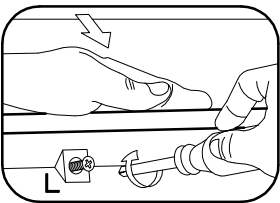
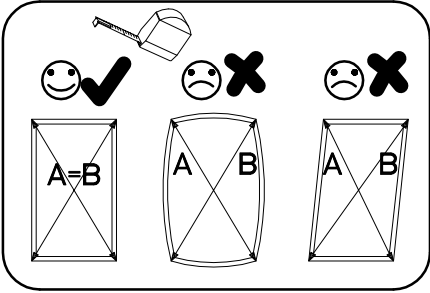
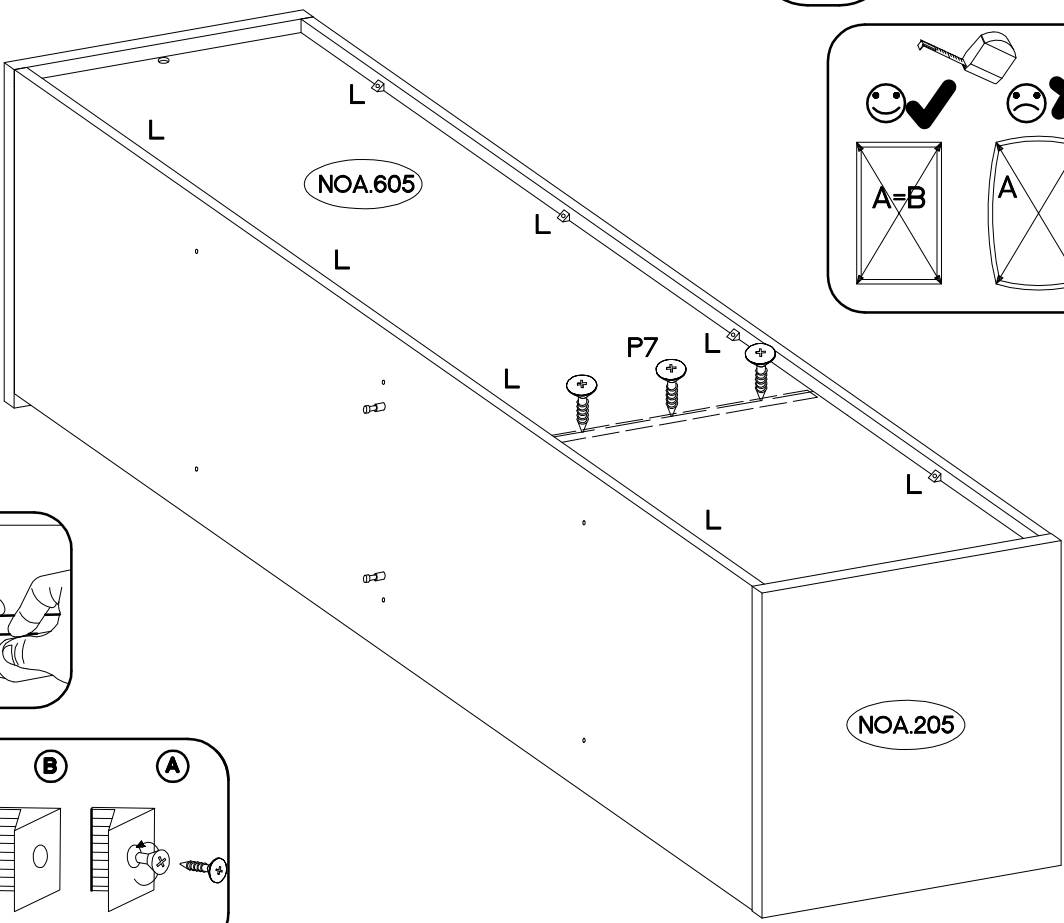
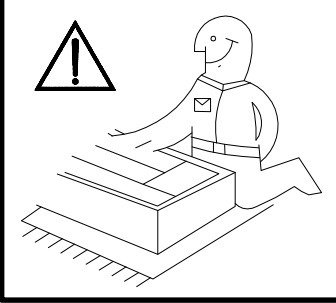
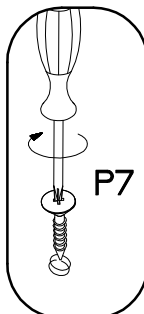


7

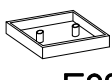



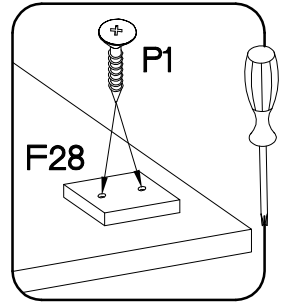
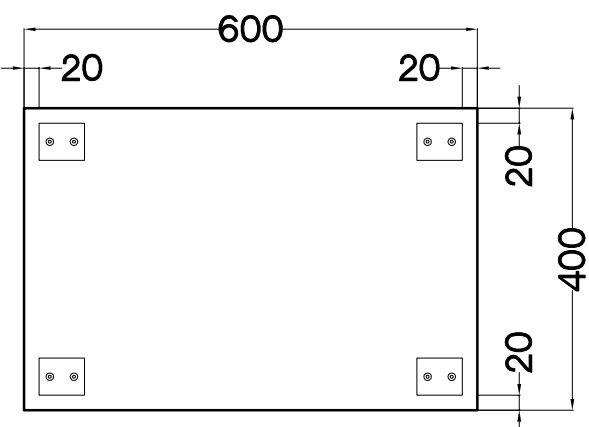
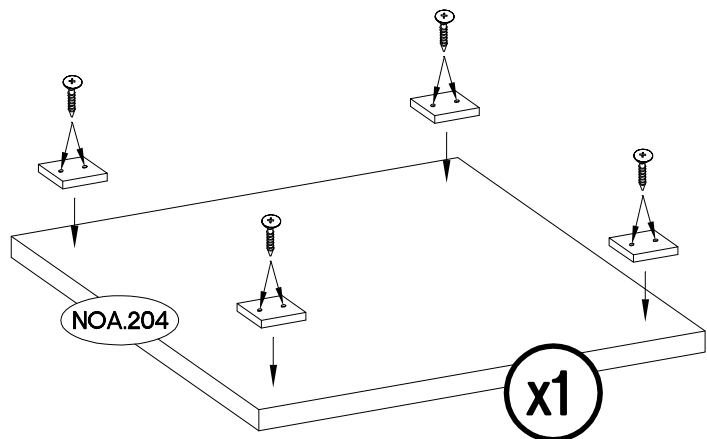
8

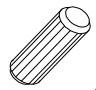
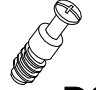

†3.0x20mm  P7 3	 L 8
---	---

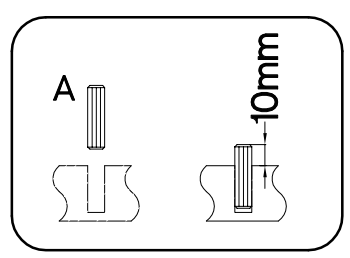
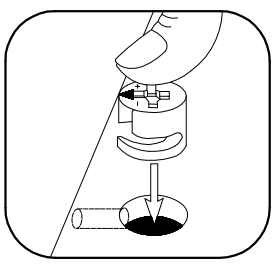
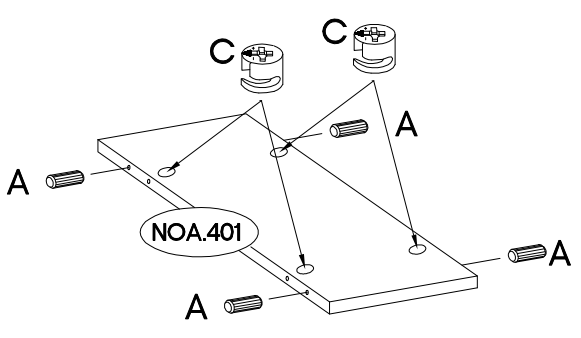
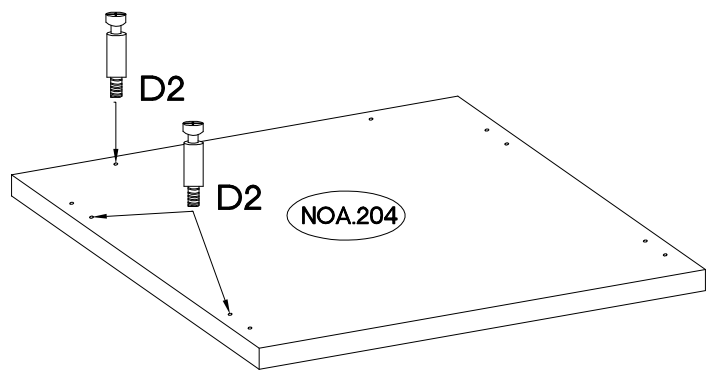
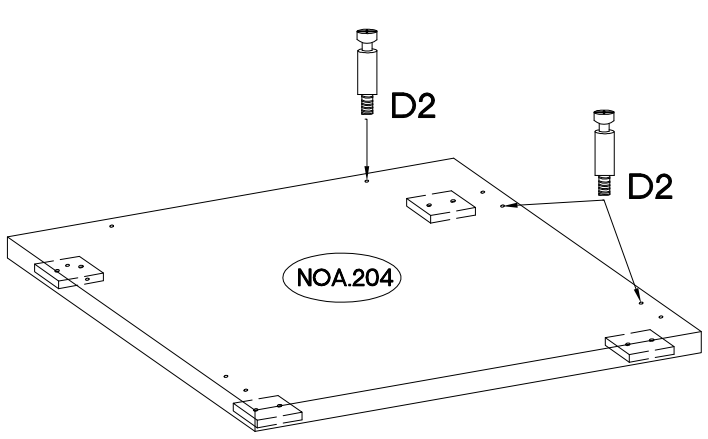
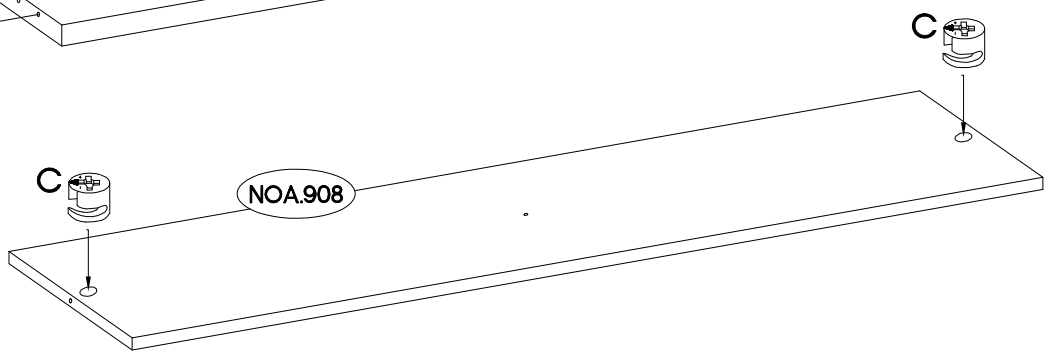
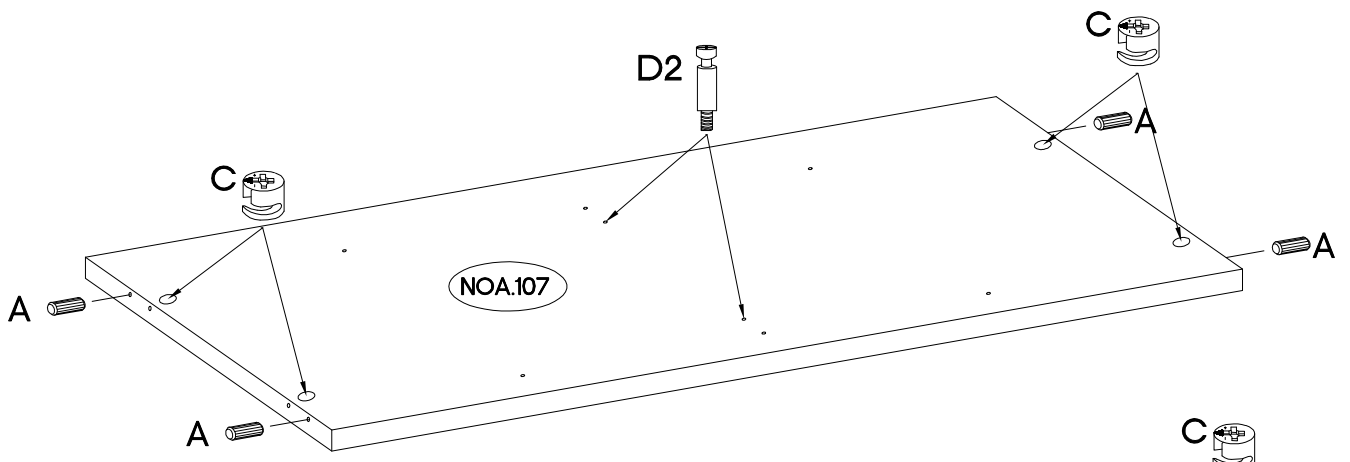
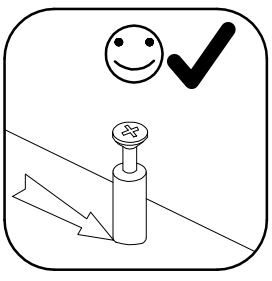
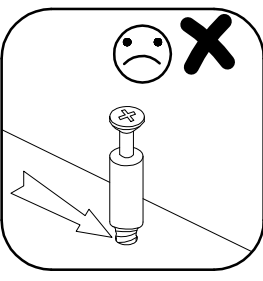
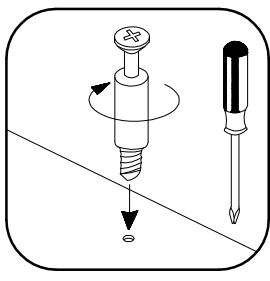


9

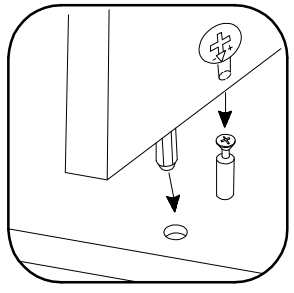
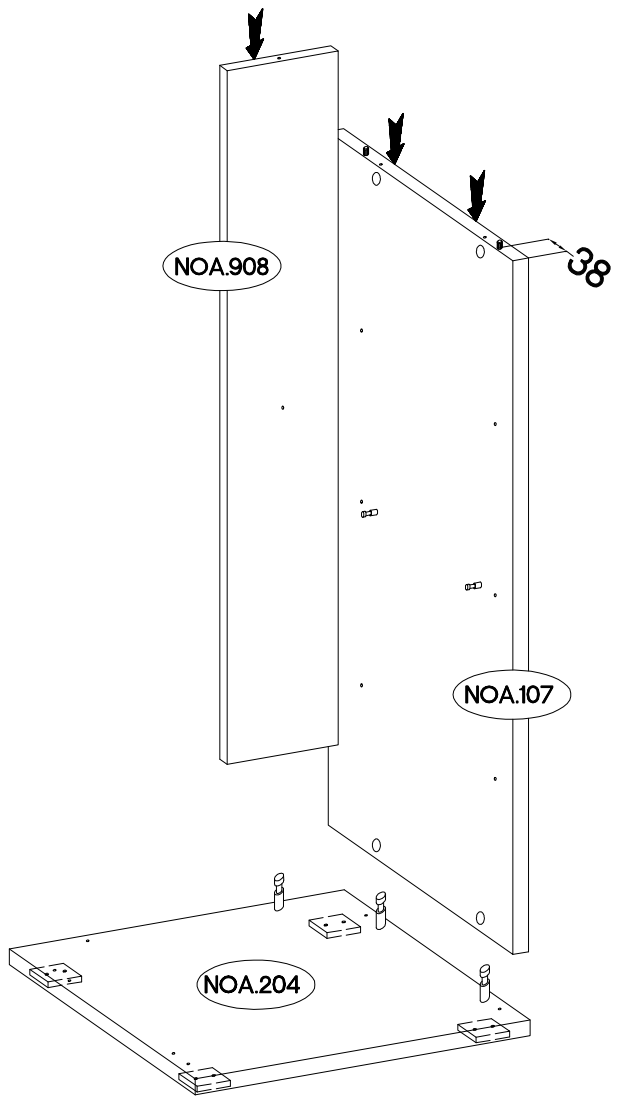
60x49x10  F28 4	†4.0x16mm  P1 8
--	--



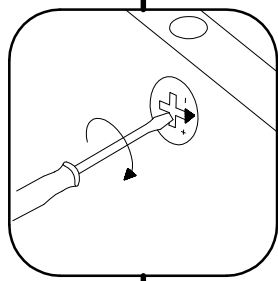
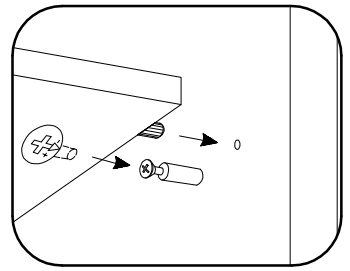
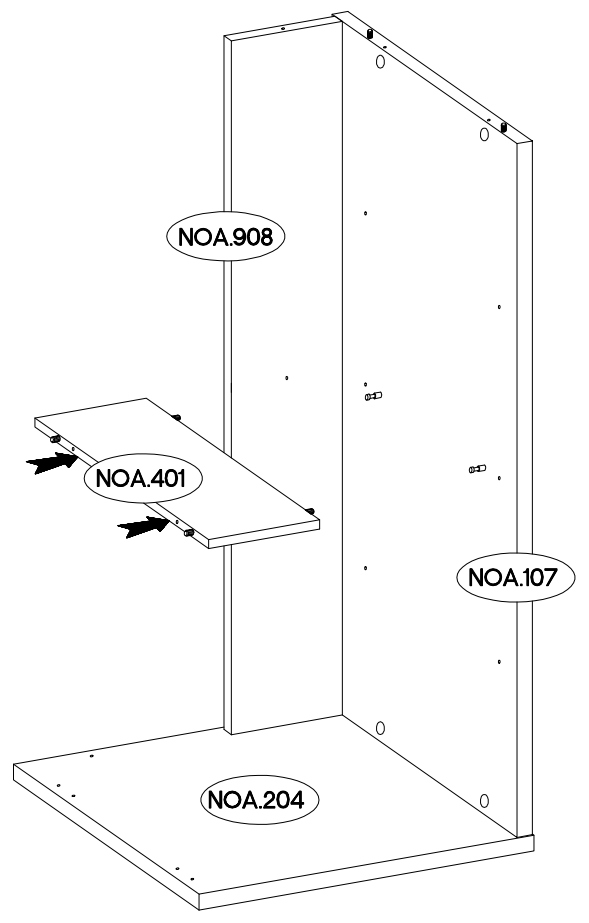
$\varnothing 8 \times 30\text{mm}$  A 8	L=20mm  D2 8	$\varnothing 15/12\text{mm}$  C 10
--	---	---



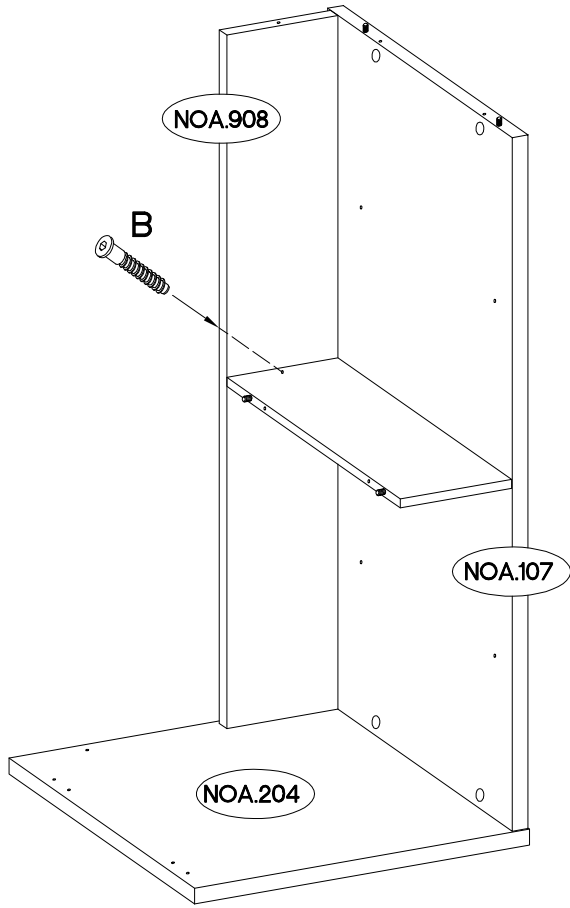
11


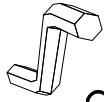



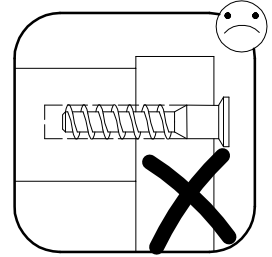
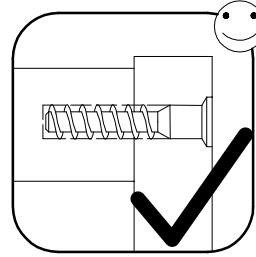
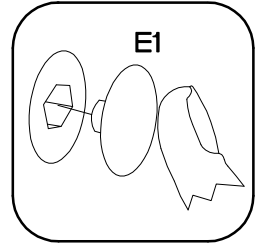
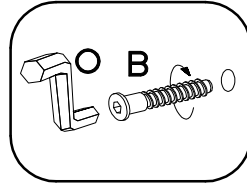
12



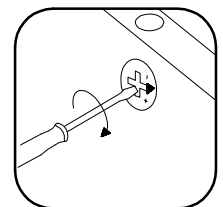
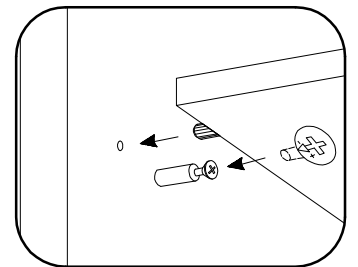
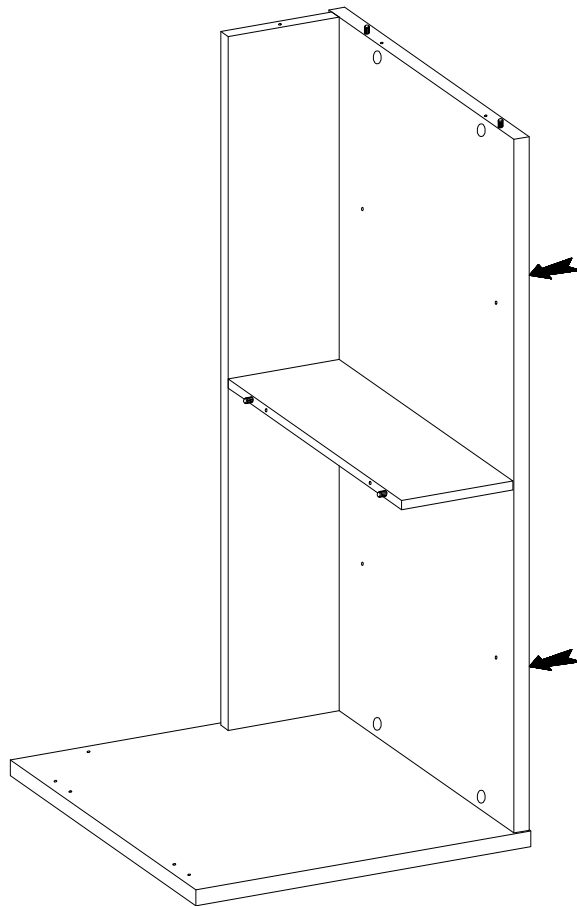
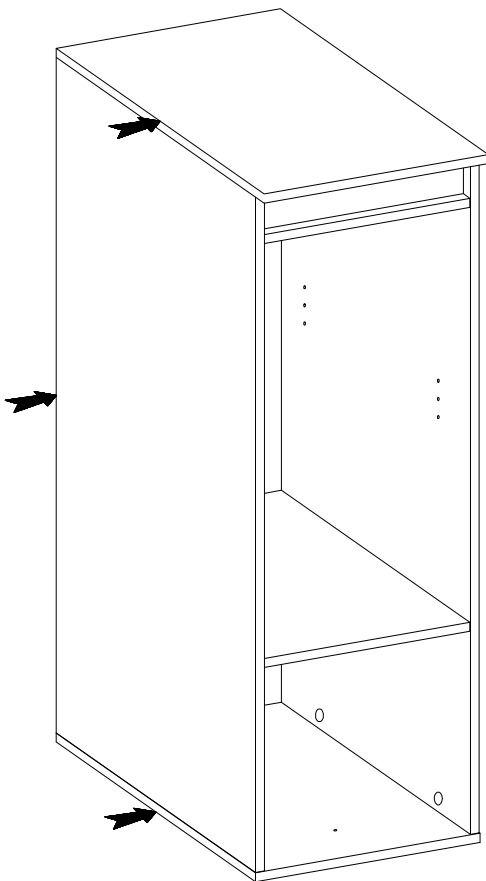
13



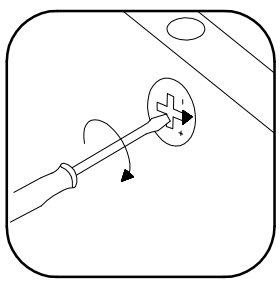
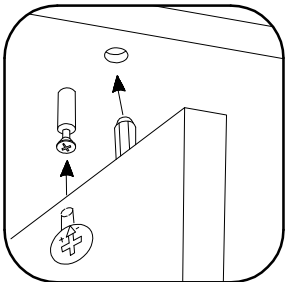
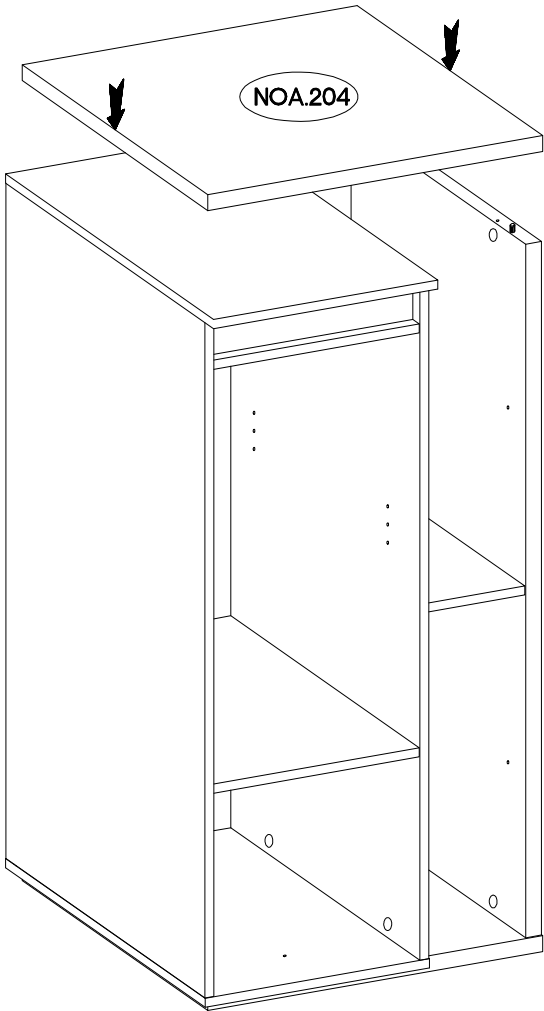
6,4 x 50mm		
		
B	O	E1
1	1	1




14

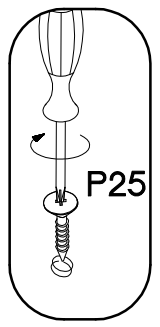
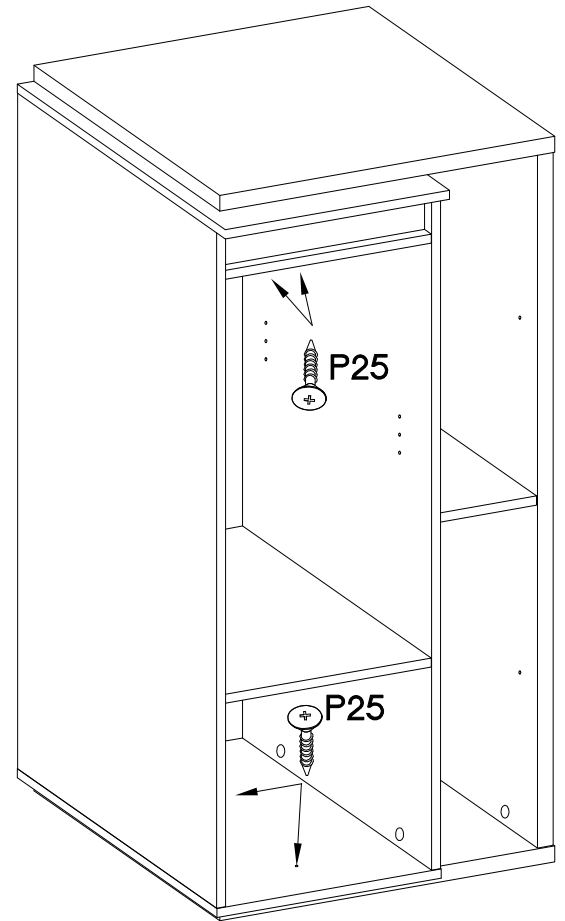


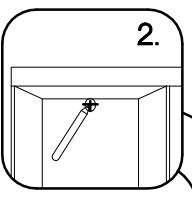
15



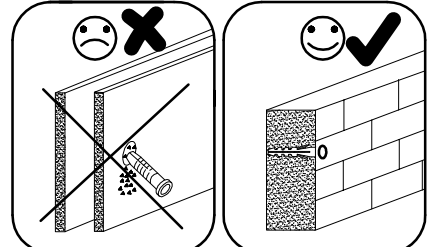
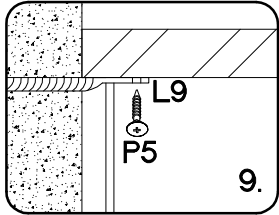
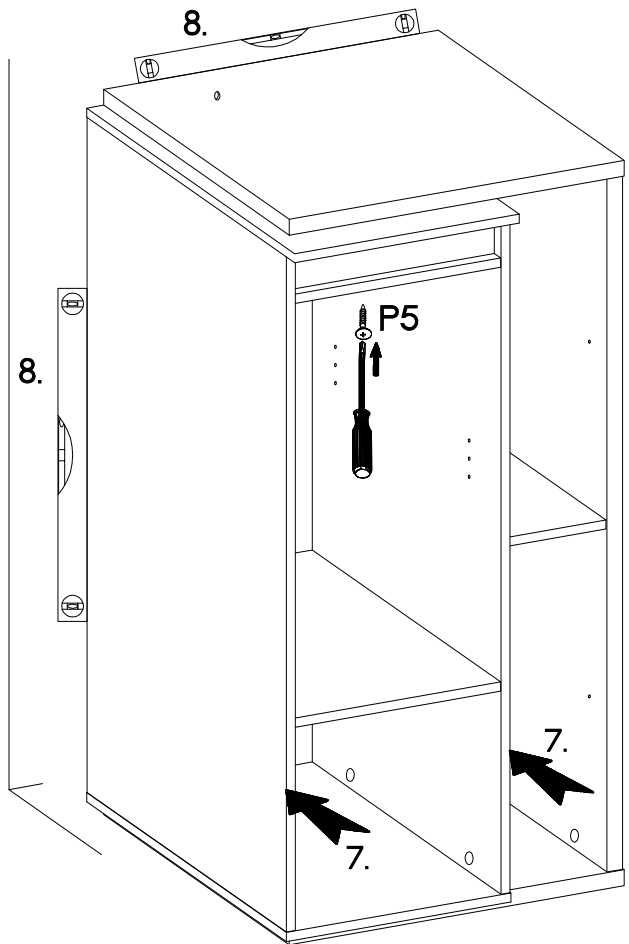
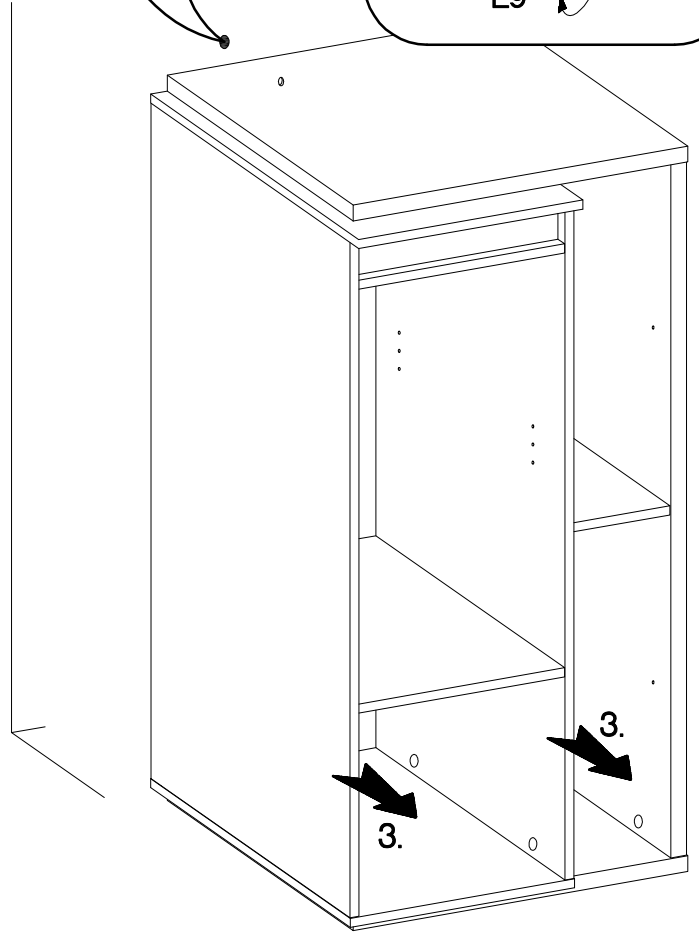
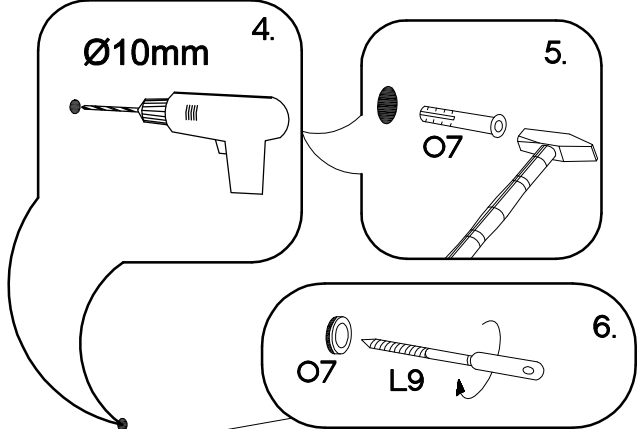
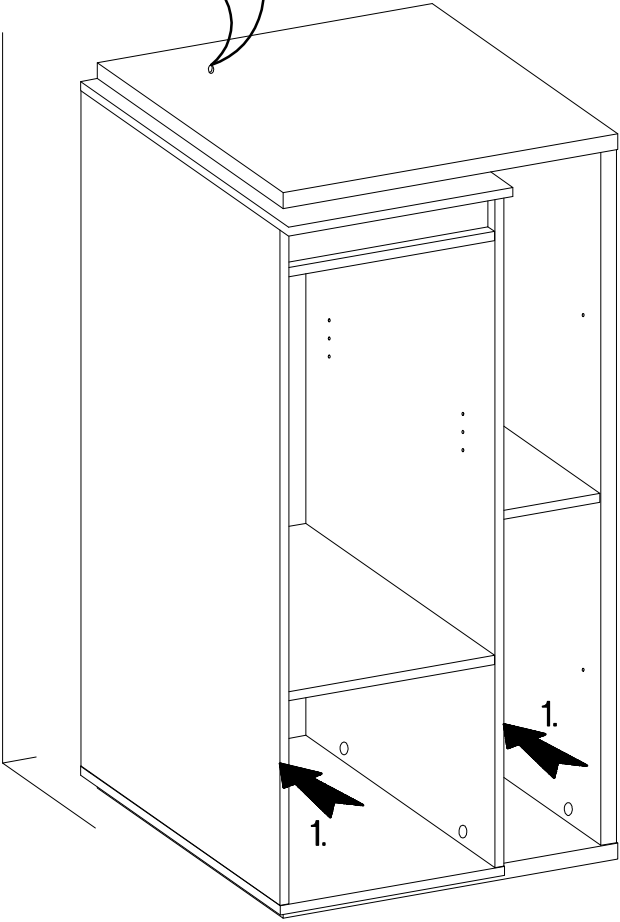
16

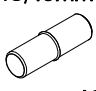
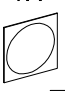
†3.5x25mm
 BLACK

 P25
 4

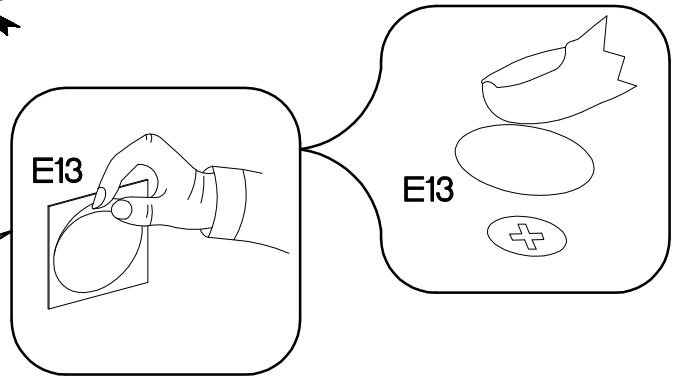
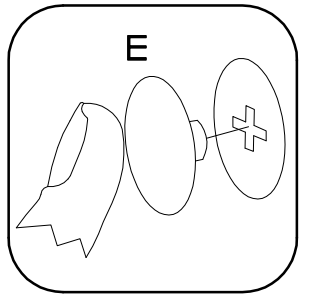
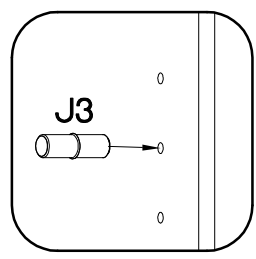
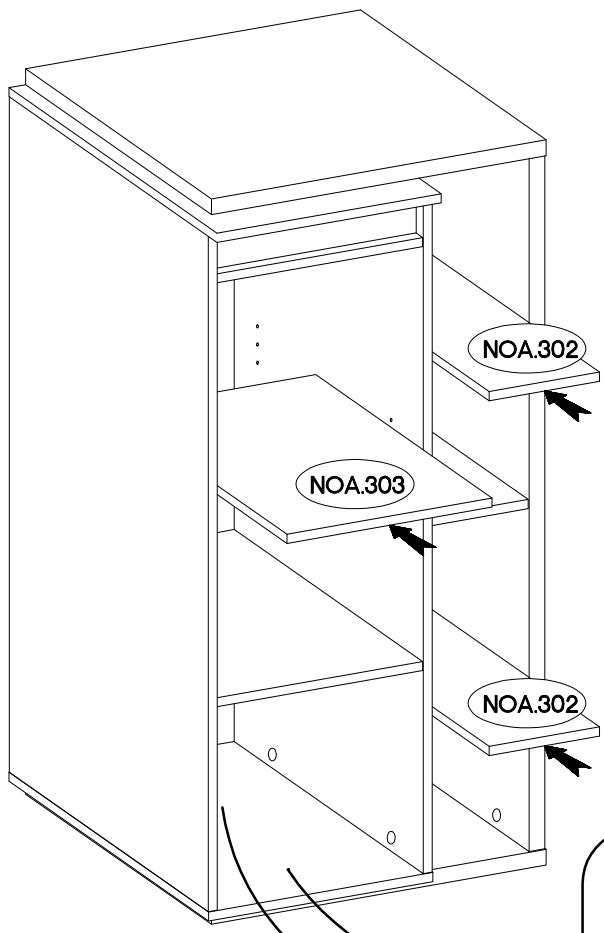






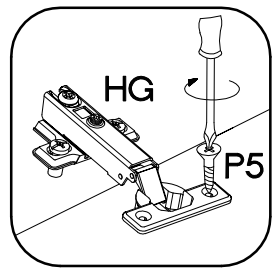
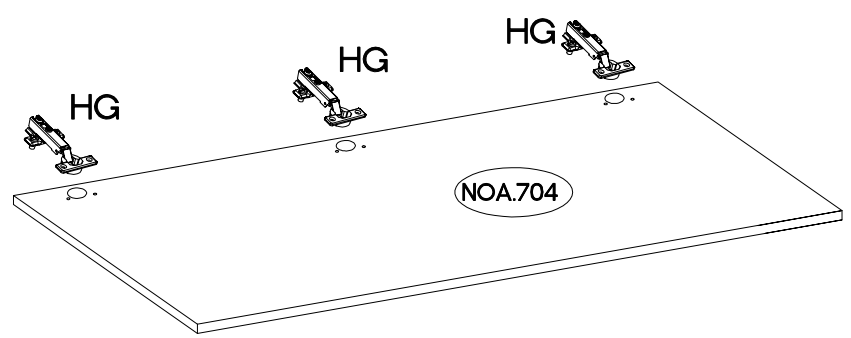
+10x50mm O7	 L9	+3.5x13mm P5
1	1	1

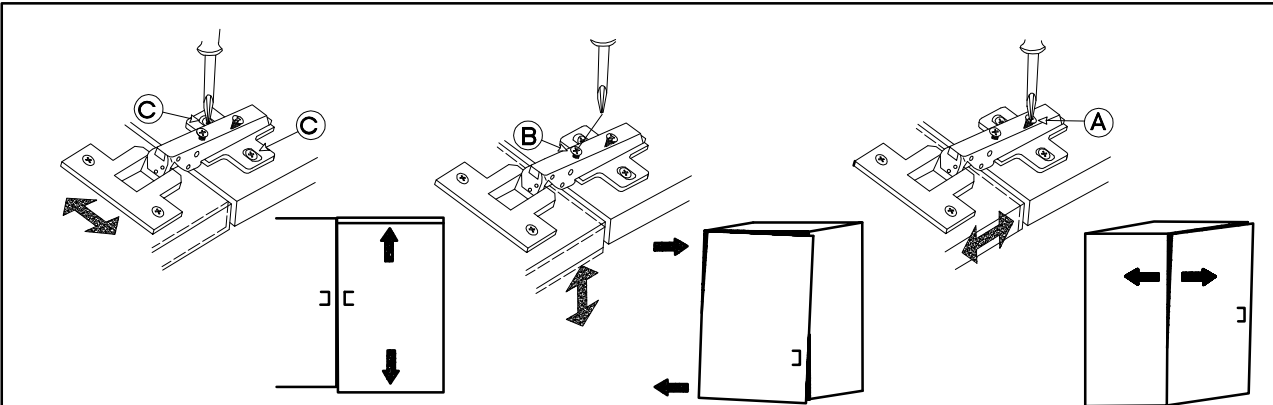
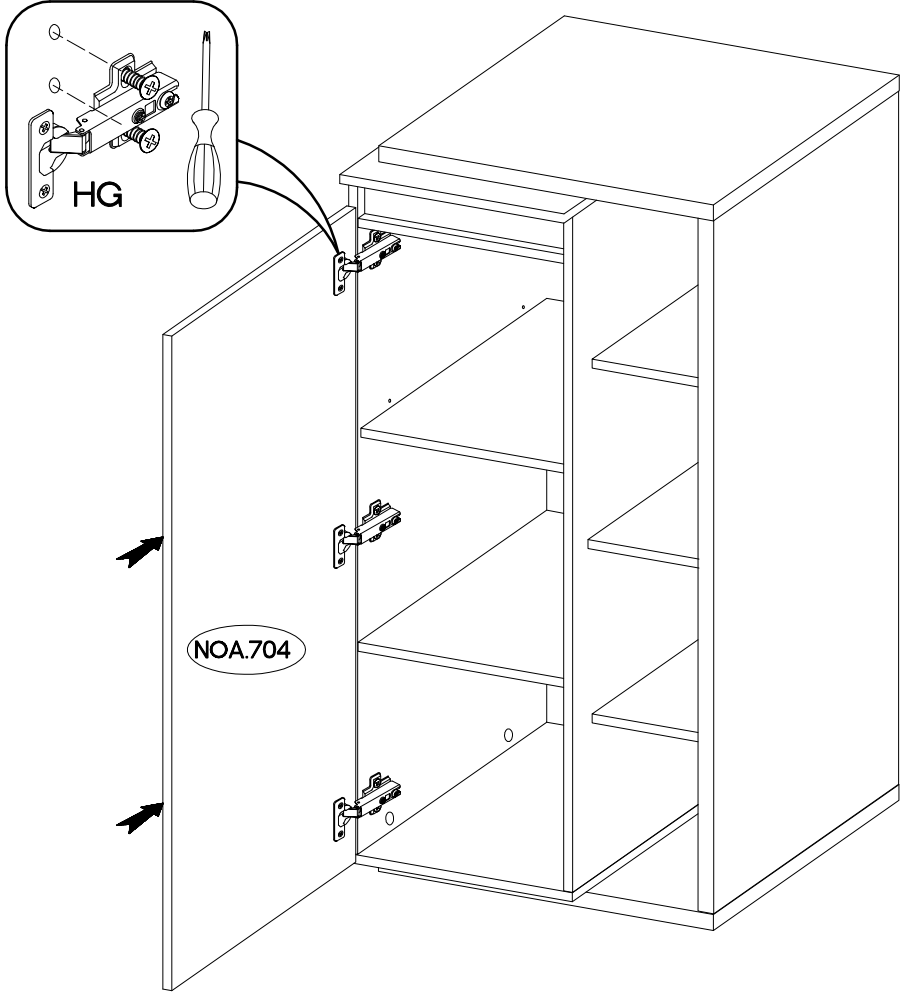


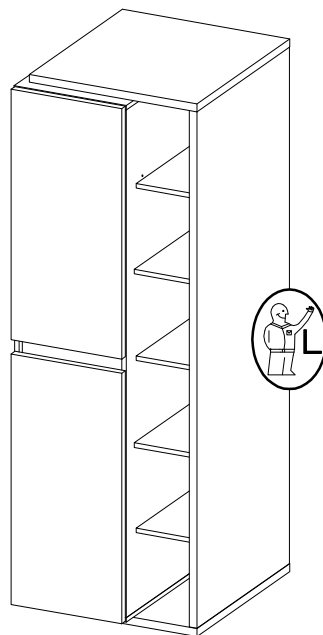
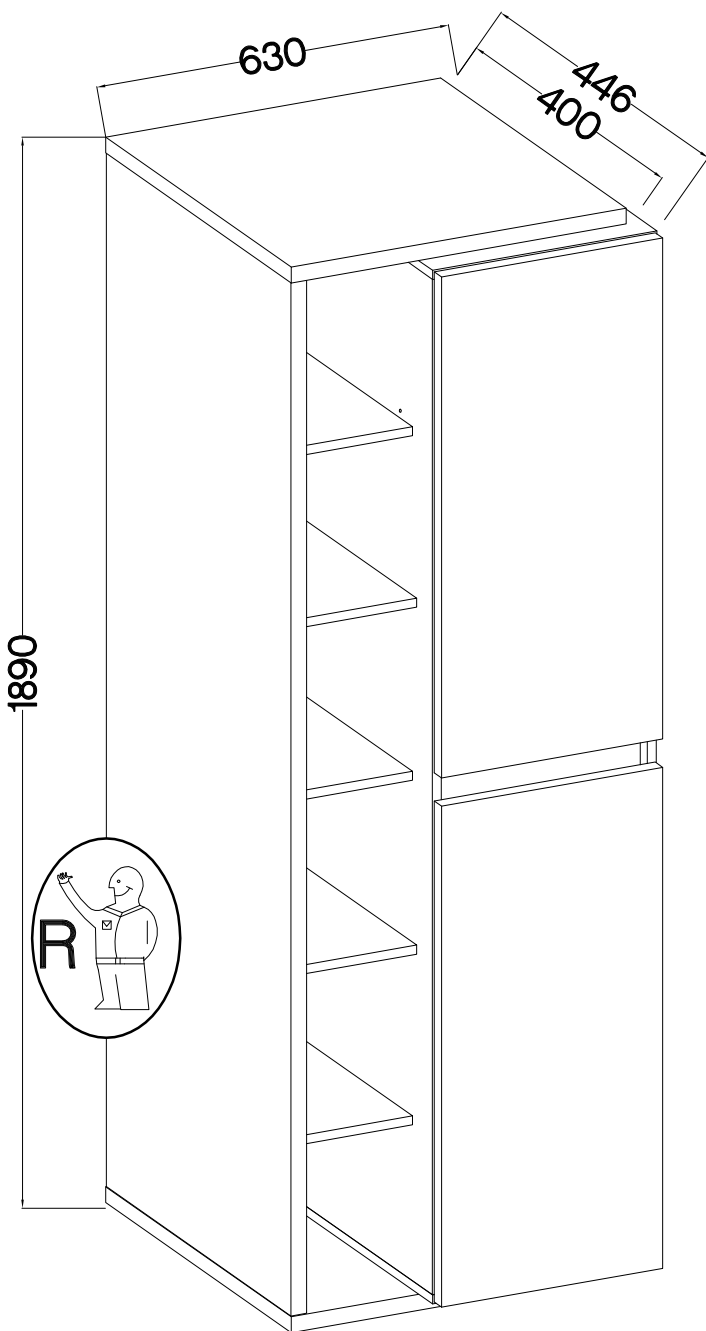
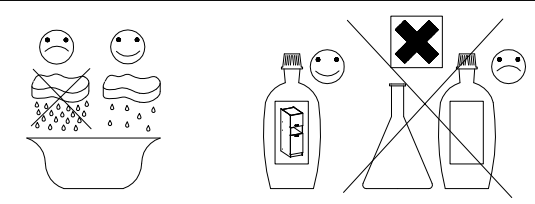
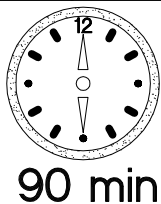
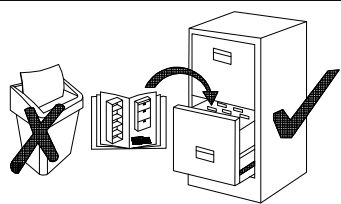
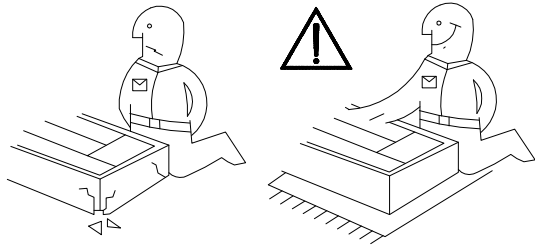
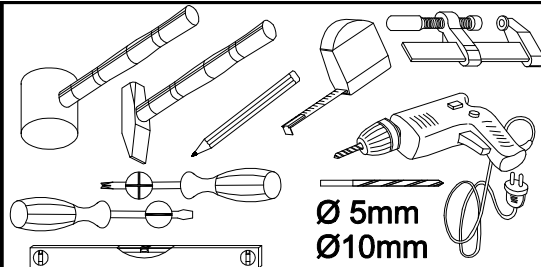
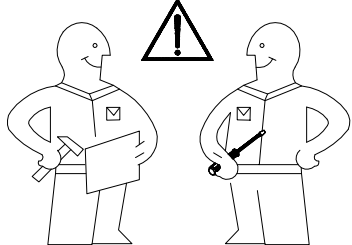
$\pm 5/16\text{mm}$  J3 12	ant. E 12	szar. E 10	± 14  E13 2
---	---------------------	----------------------	---



$\pm 35/0\text{mm}$  HG 3	$\pm 3.5 \times 13\text{mm}$  P5 6
--	---



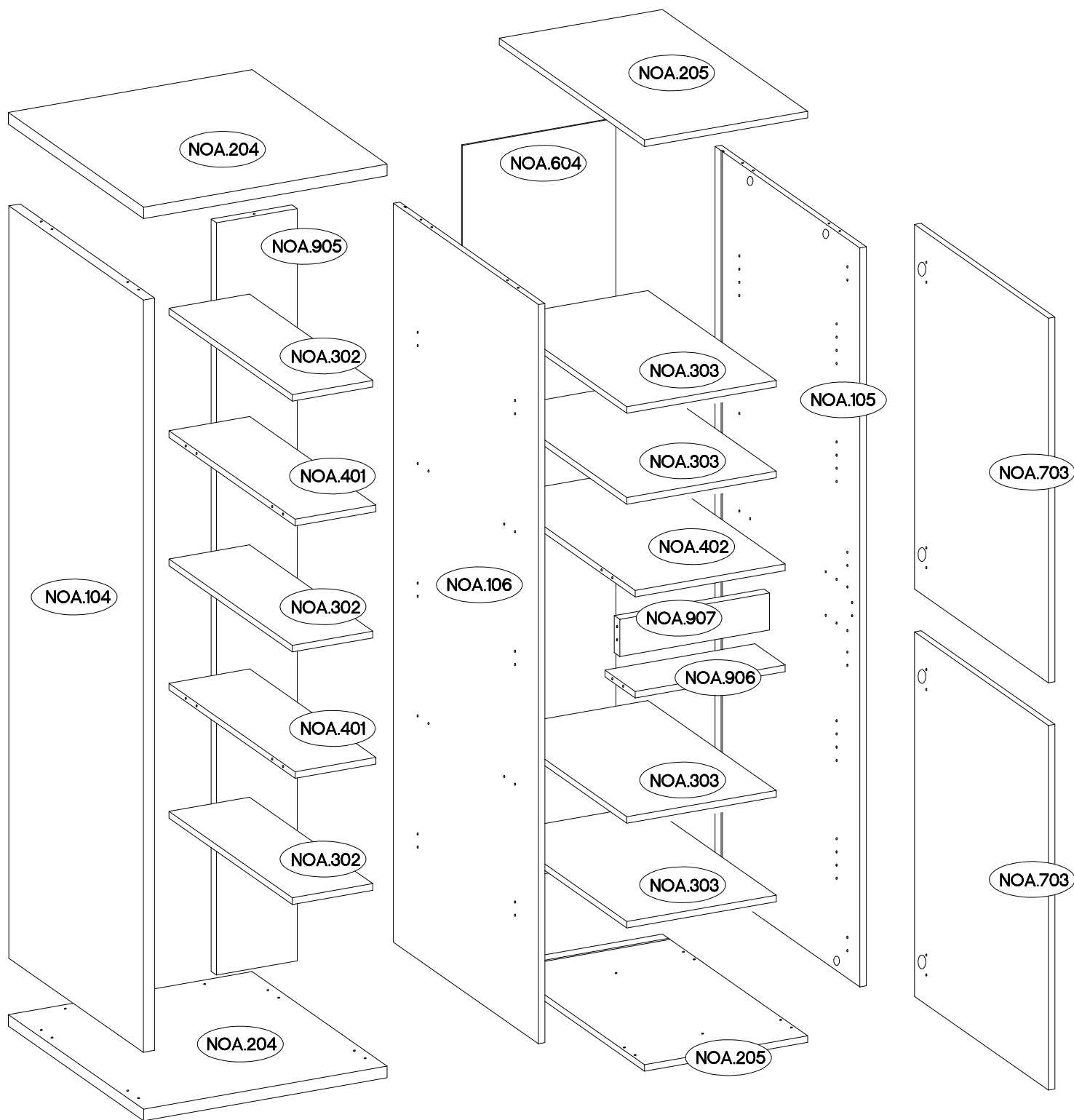




†8x30mm A	6,4 x 50mm B	†15/12mm C	L=20mm D2
32	2	26	26

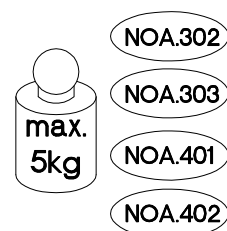
 ant. E	 szar. E	 E1	 E13
12	14	2	4
†4.0x16mm P1	†3.5x13mm P5	†3.0x20mm P7	†3.5x25mm BLACK P25
8	9	3	4

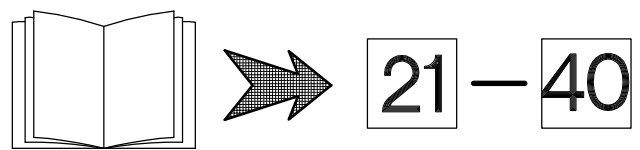
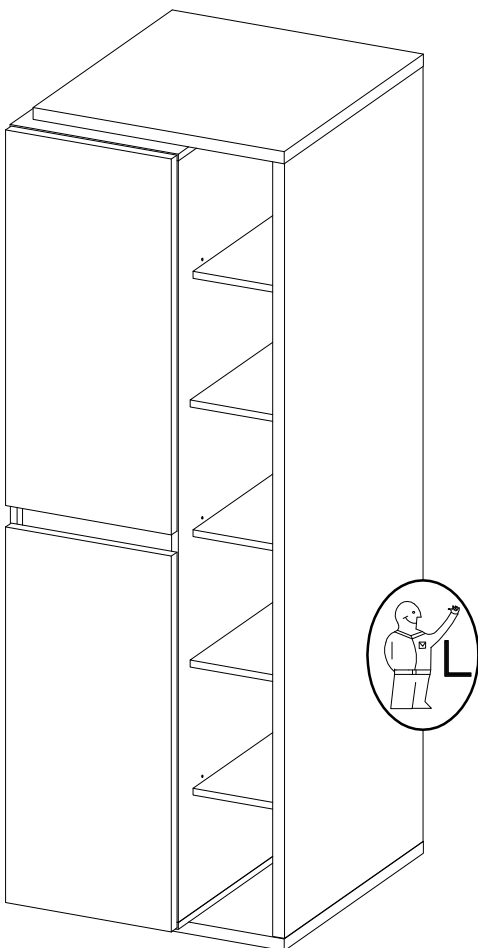
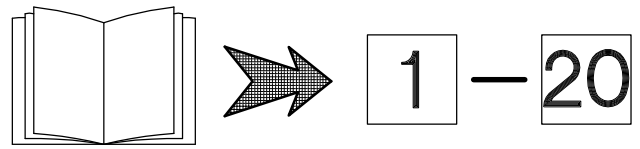
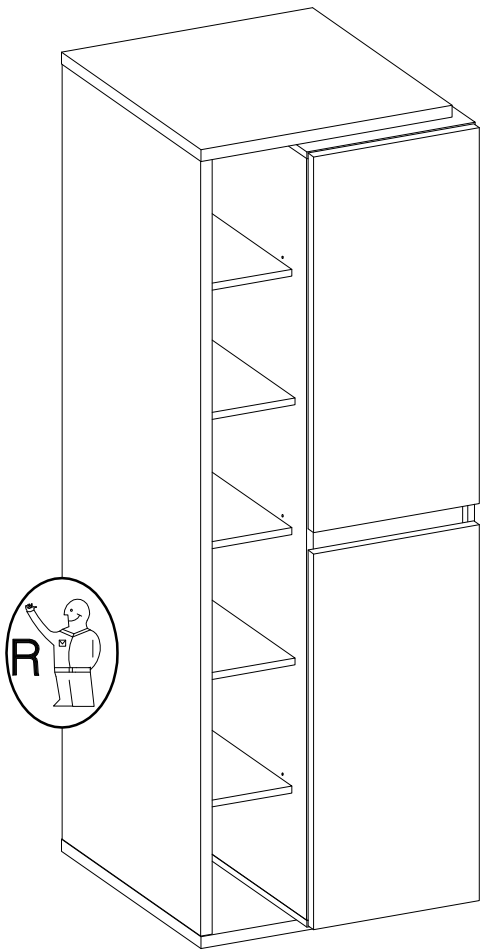
60x49x10 F28	†35/0mm HG	†5/16mm J3	 L	 L9	 O	†10x50mm O7
4	4	28	14	1	1	1

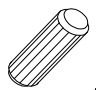
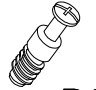



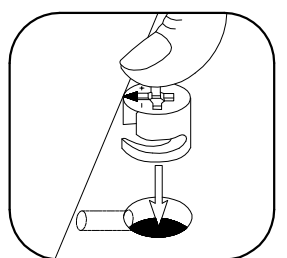
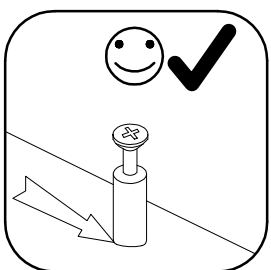
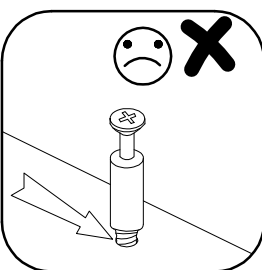
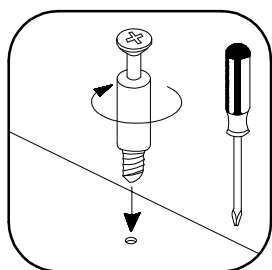
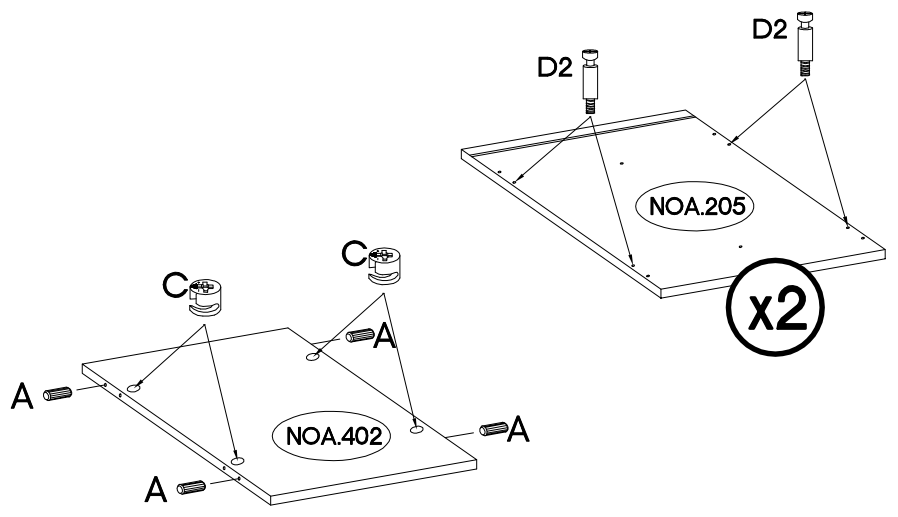
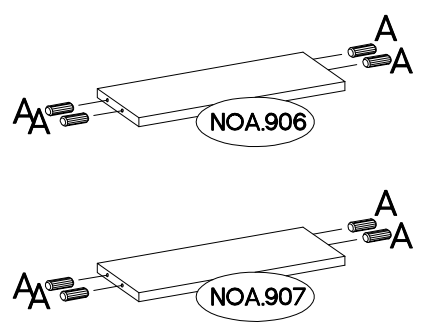
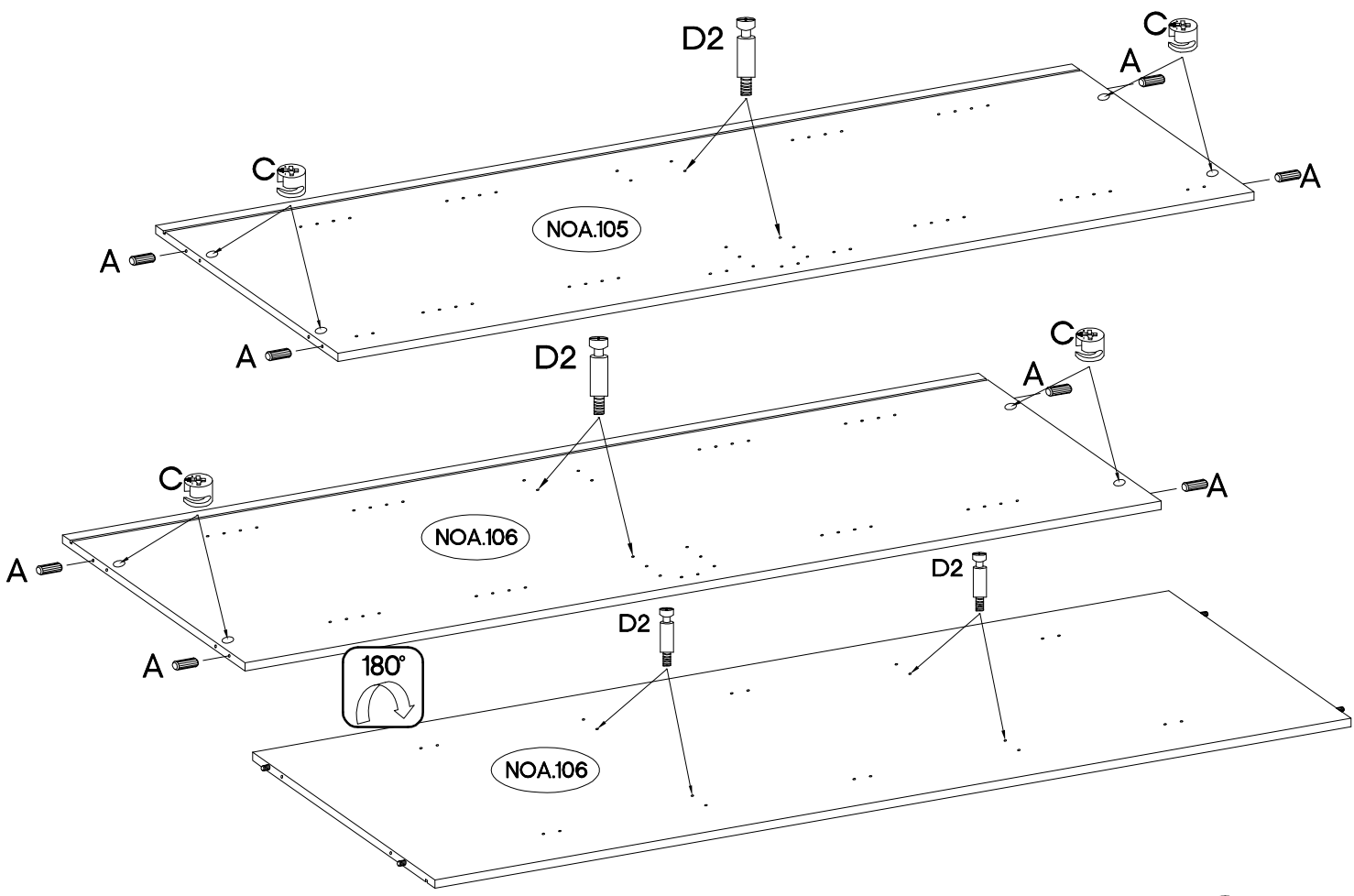
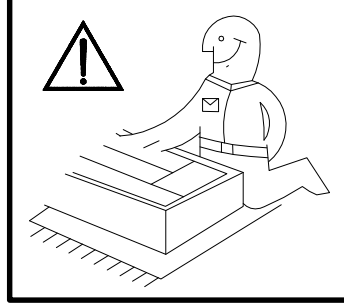
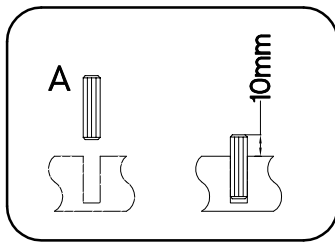
1/2	NOA.204 x2	600x400x28
	NOA.205 x2	402x430x16
	NOA.302 x3	198x365x16
	NOA.303 x4	368x380x16
	NOA.401 x2	199x374x16
	NOA.402	369x406x16
	NOA.703 x2	884x396x16
	NOA.906	369x90x16
	NOA.907	369x90x16

2/2	NOA.104	1824x398x28
	NOA.105	1792x429x16
	NOA.106	1792x429x16
	NOA.604	1801x378x2,5
	NOA.905	1824x199x16

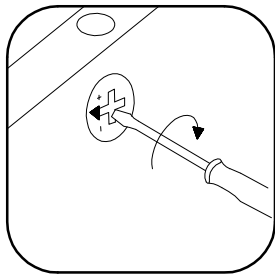
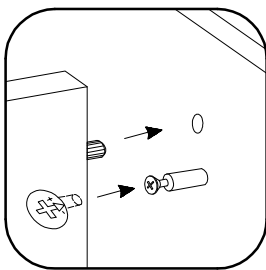
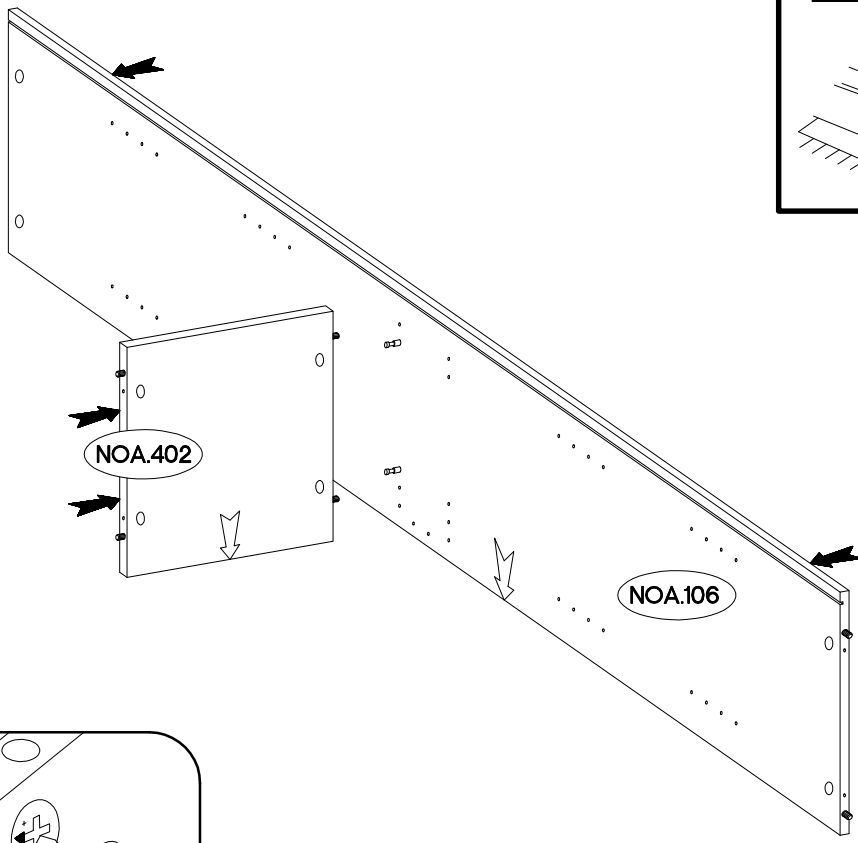
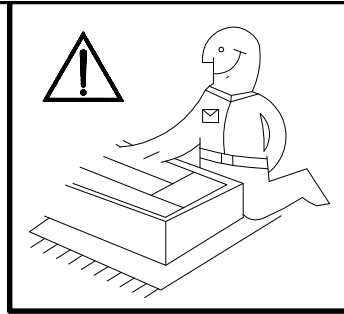




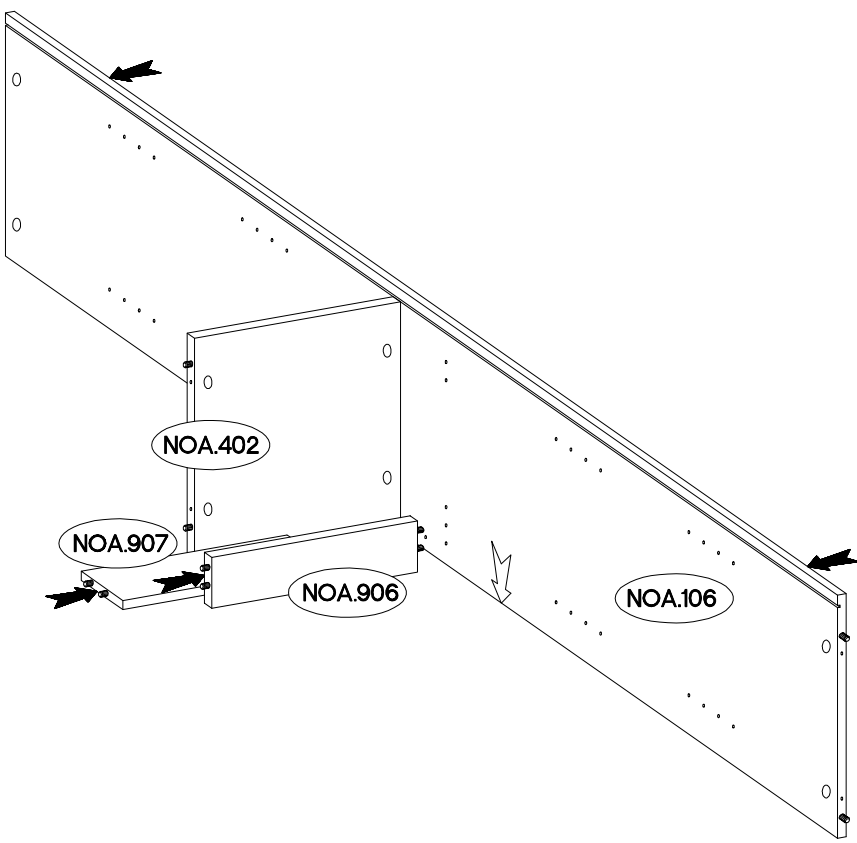
 A 20	 D2 16	 C 12
$\varnothing 8 \times 30 \text{mm}$	$L = 20 \text{mm}$	$\varnothing 15 / 12 \text{mm}$



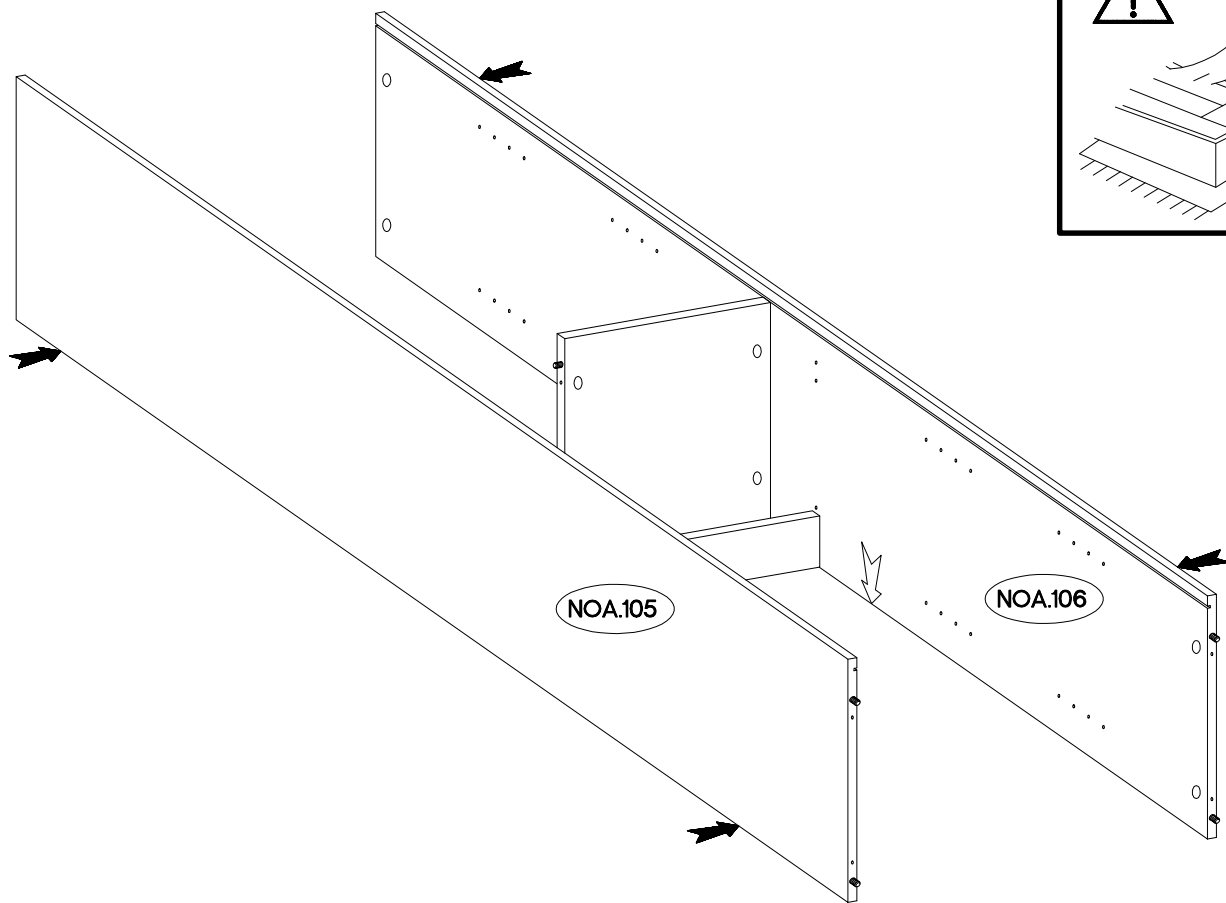
2



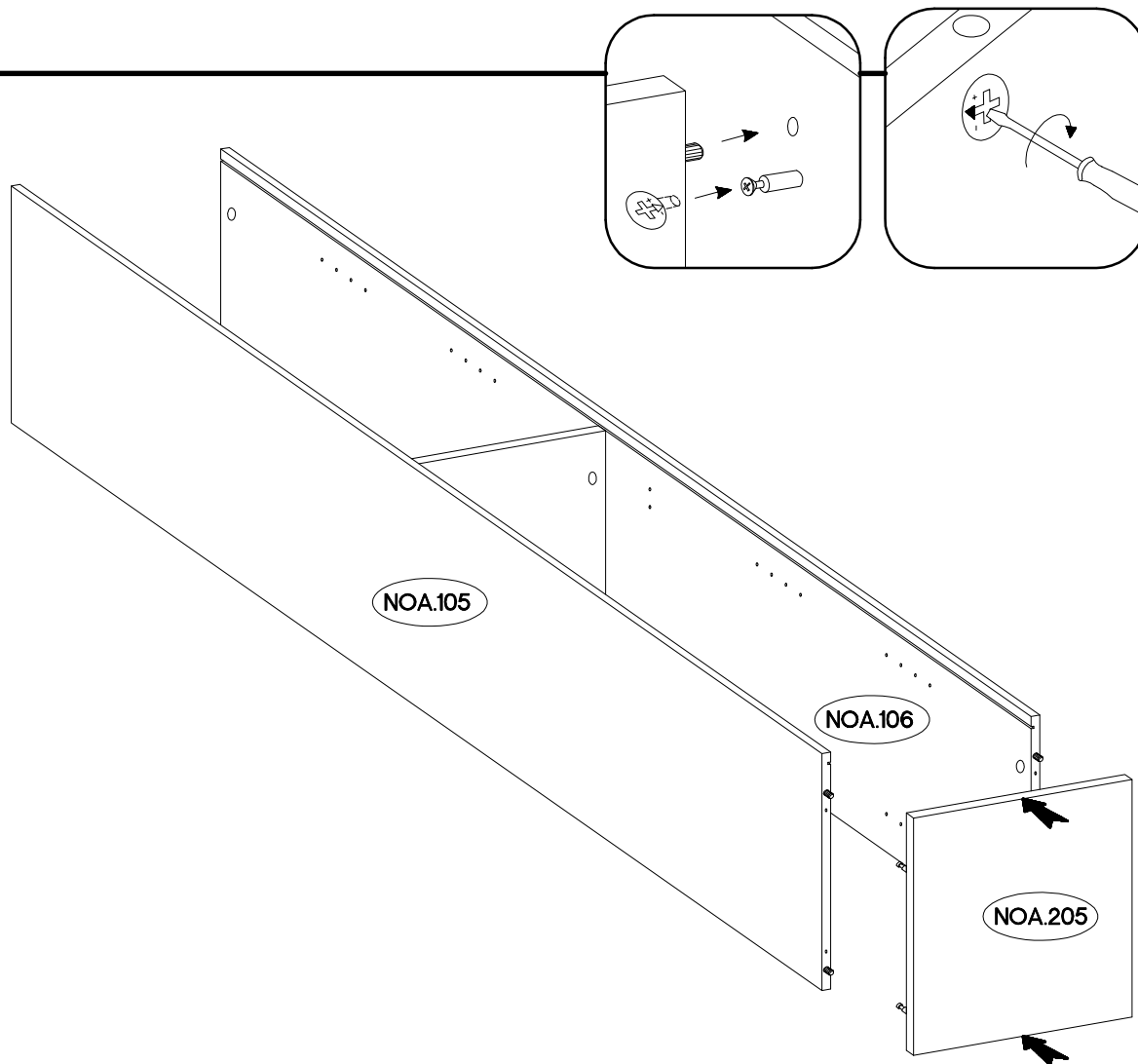
3



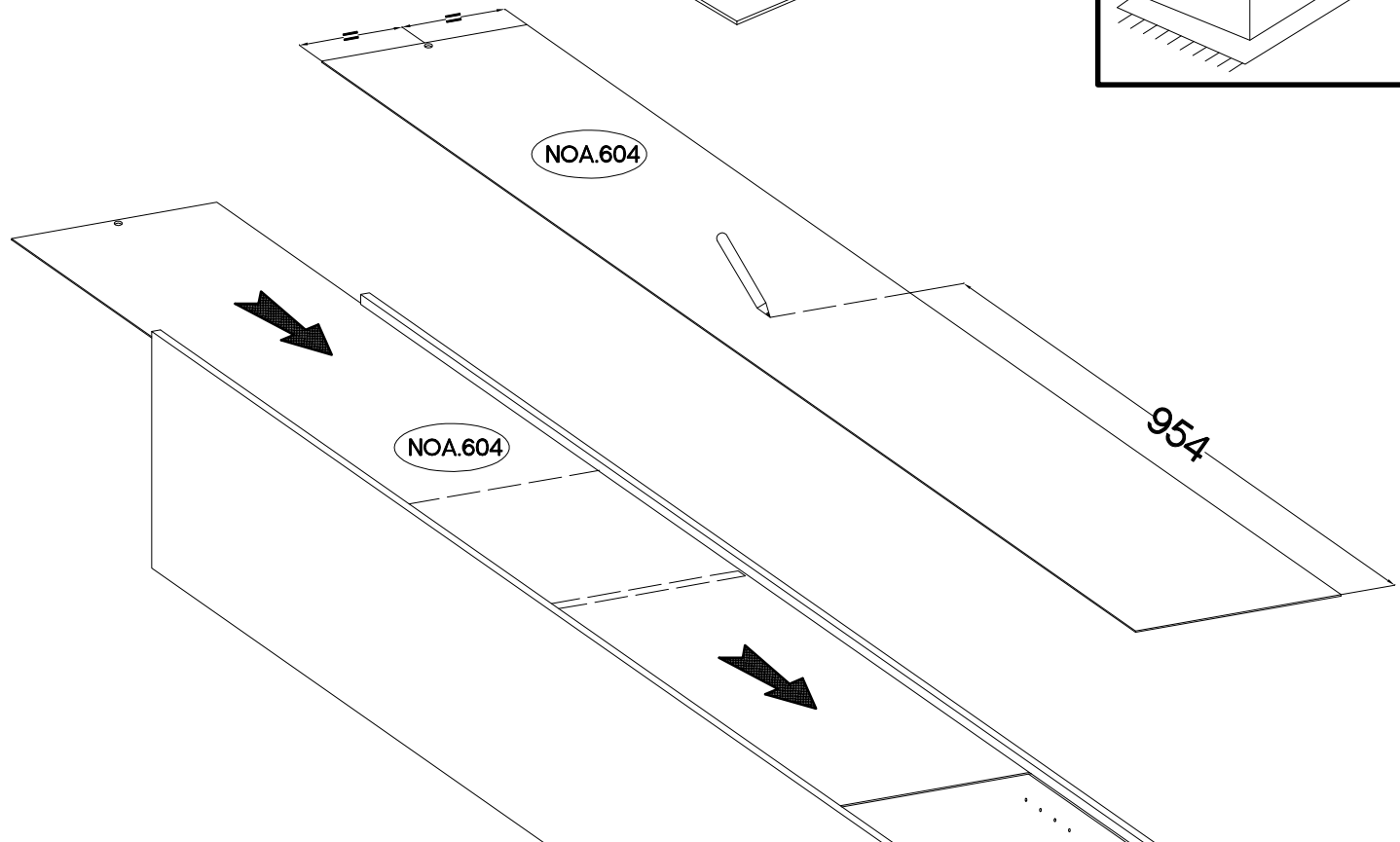
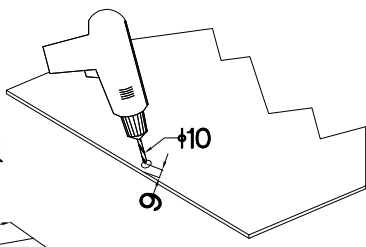
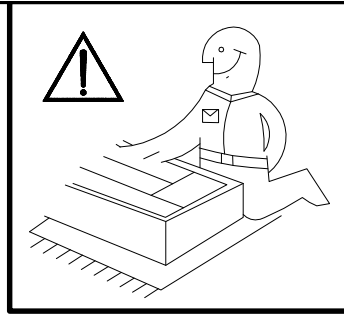
4



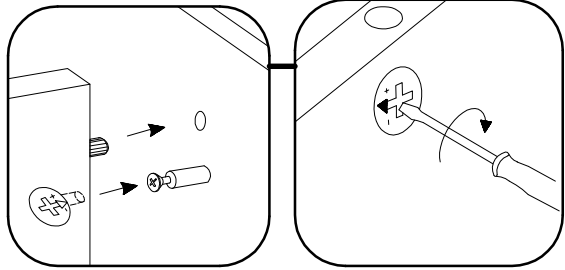
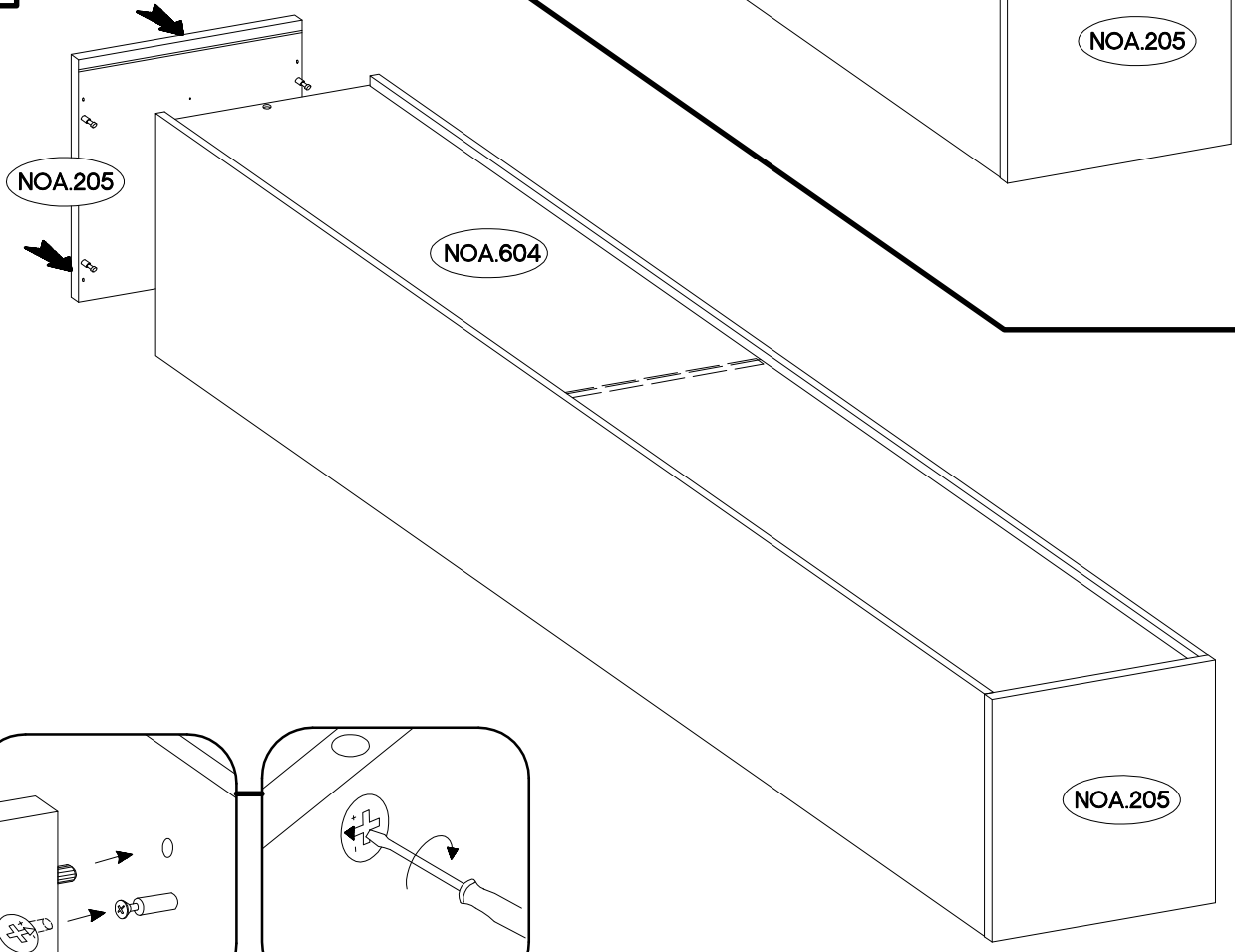
5




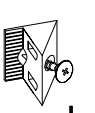
6

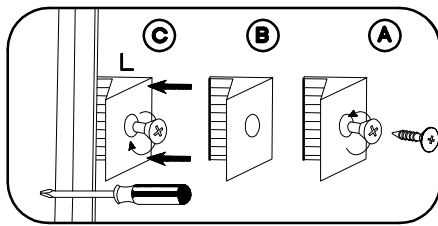
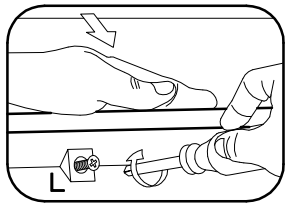
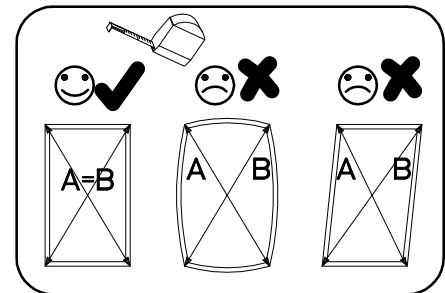
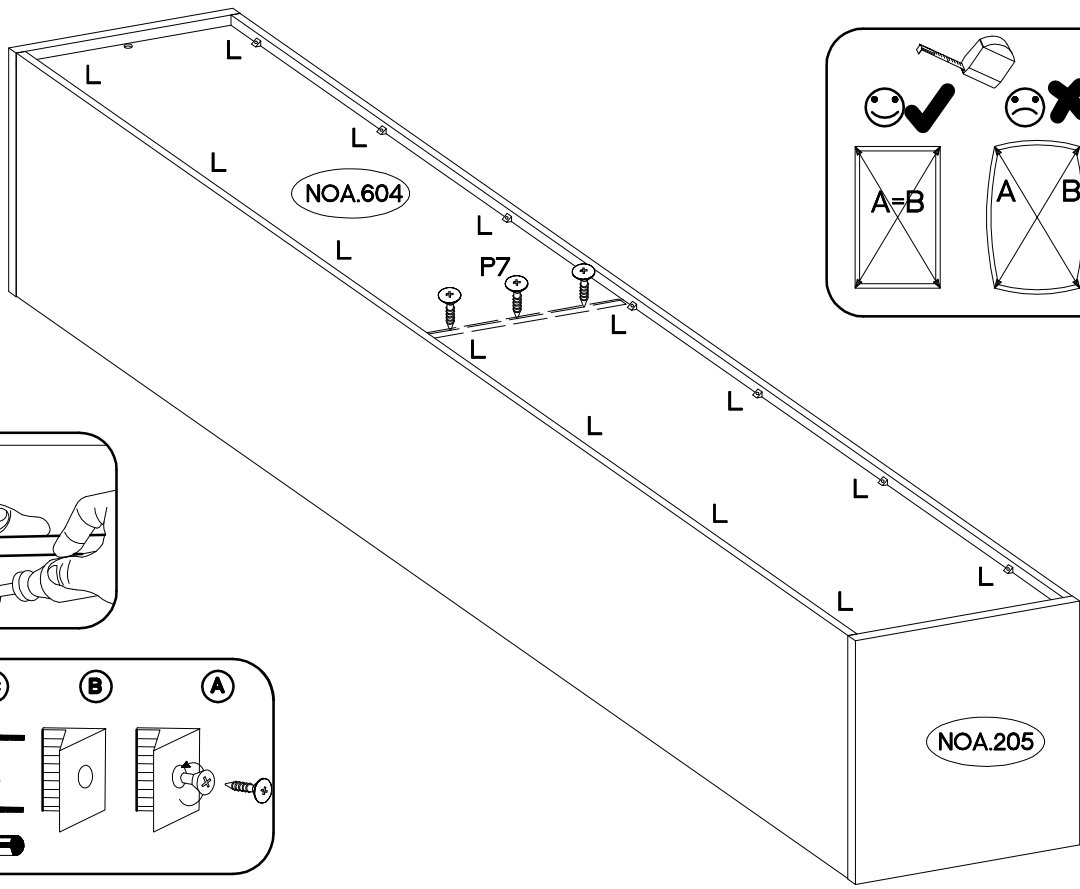
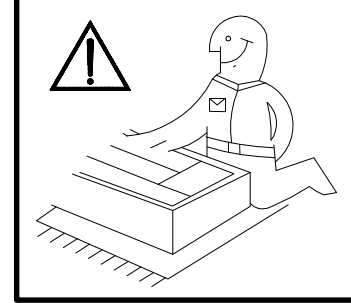
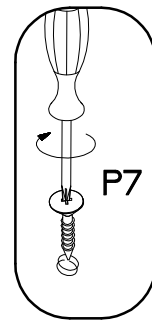


7

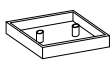



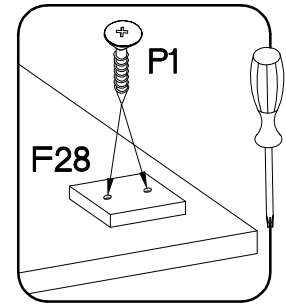
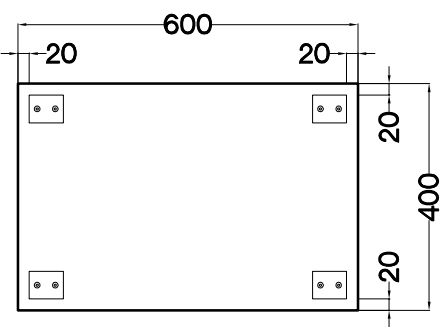
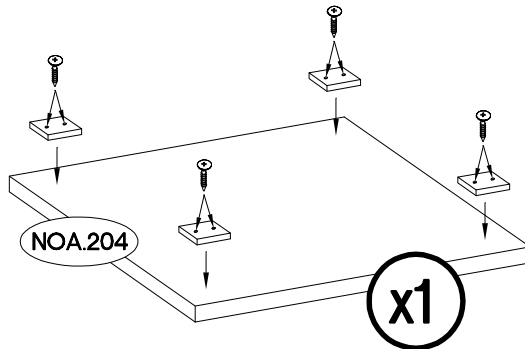
8




†3.0x20mm  P7 3	 L 14
---	--

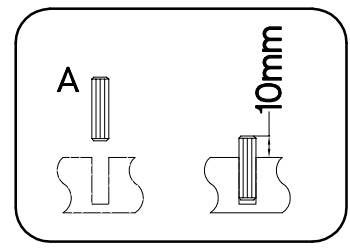
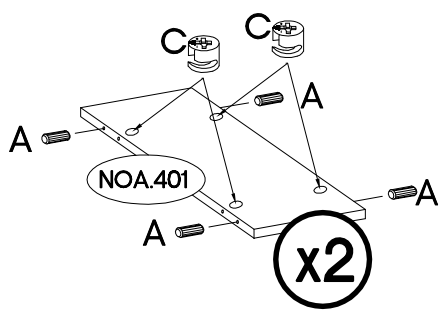
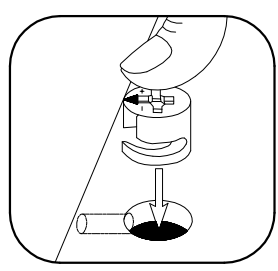
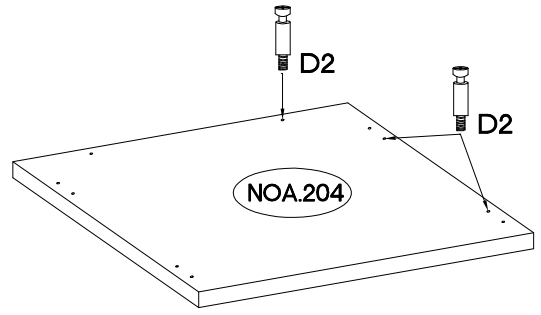
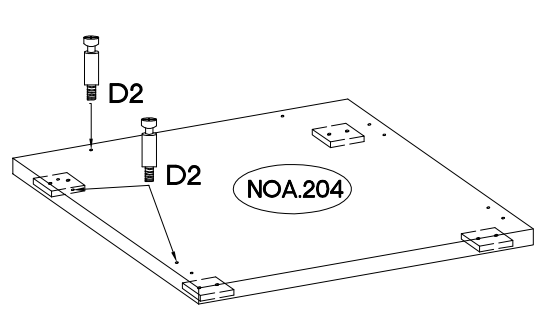
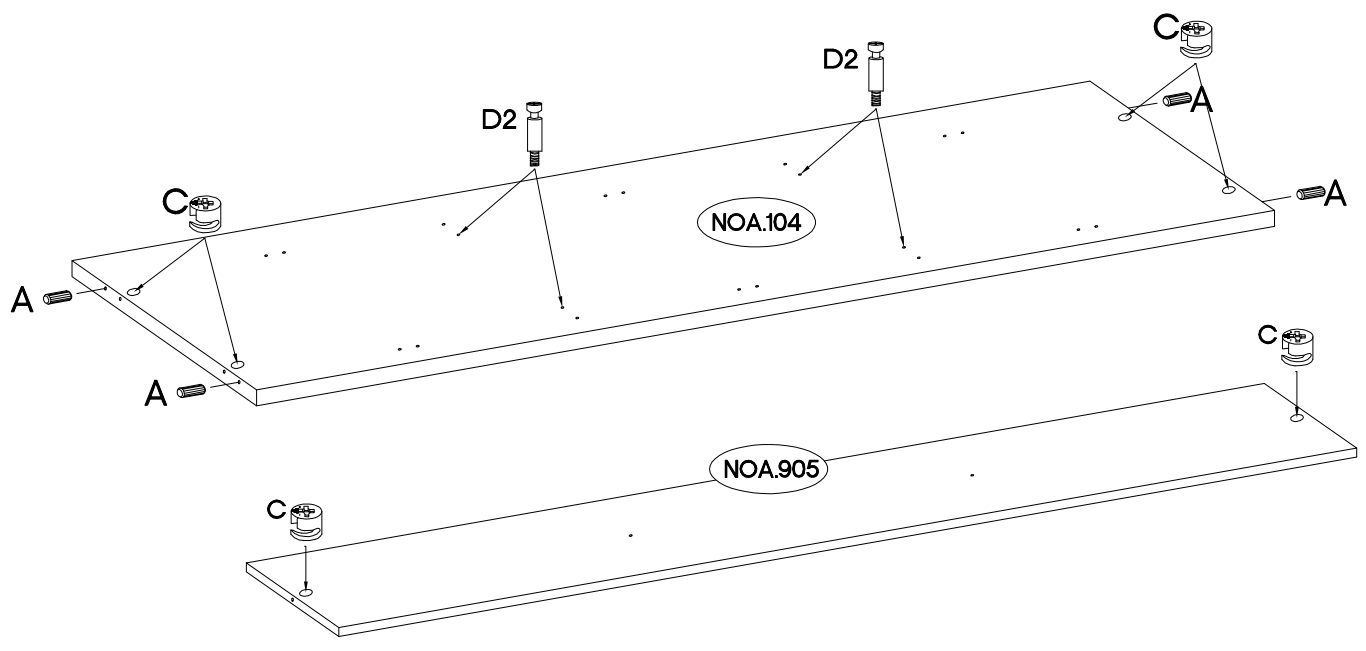
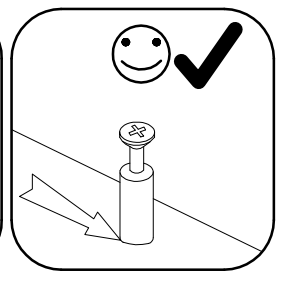
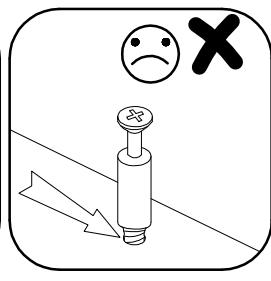
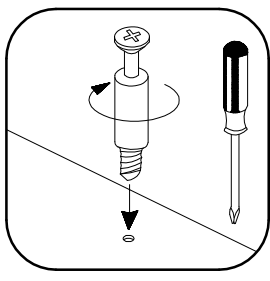


9

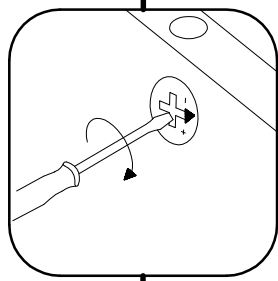
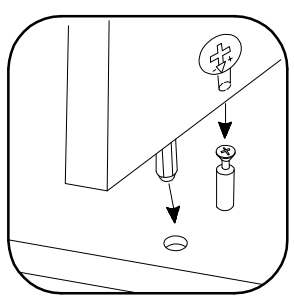
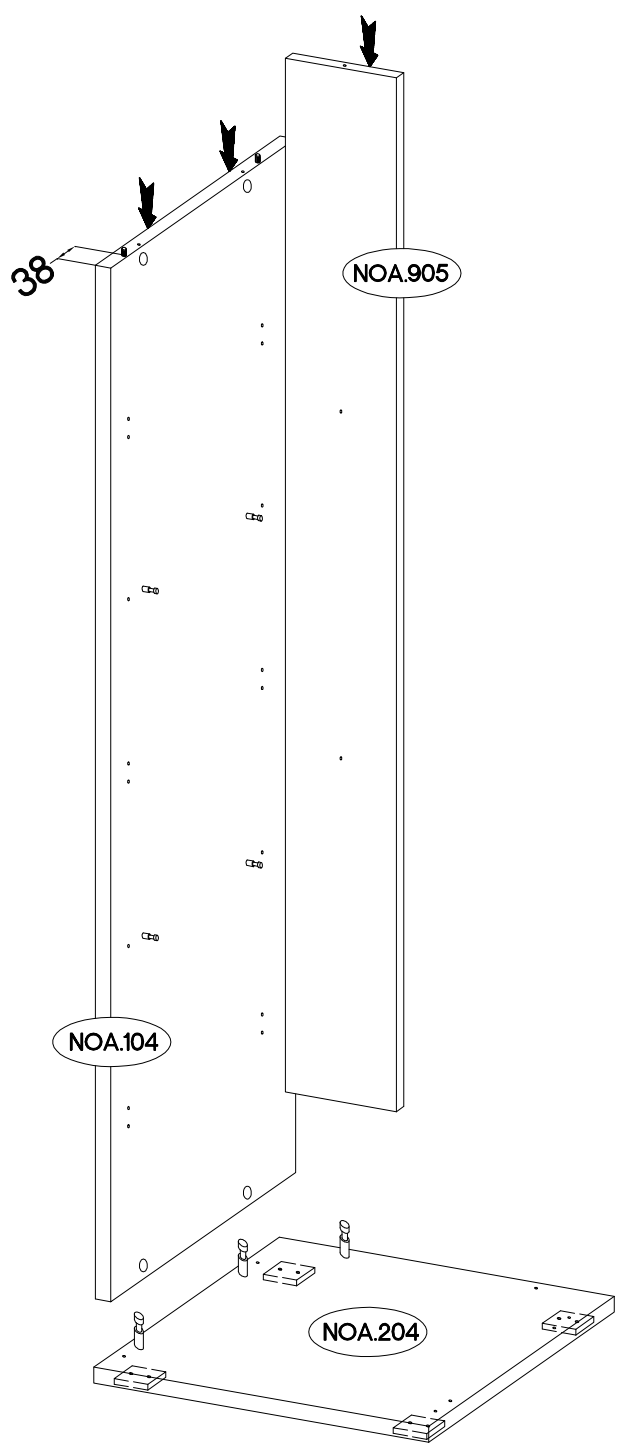
60x49x10  F28 4	†4.0x16mm  P1 8
--	--



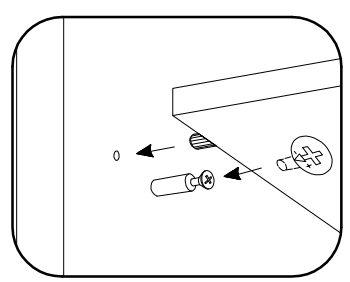
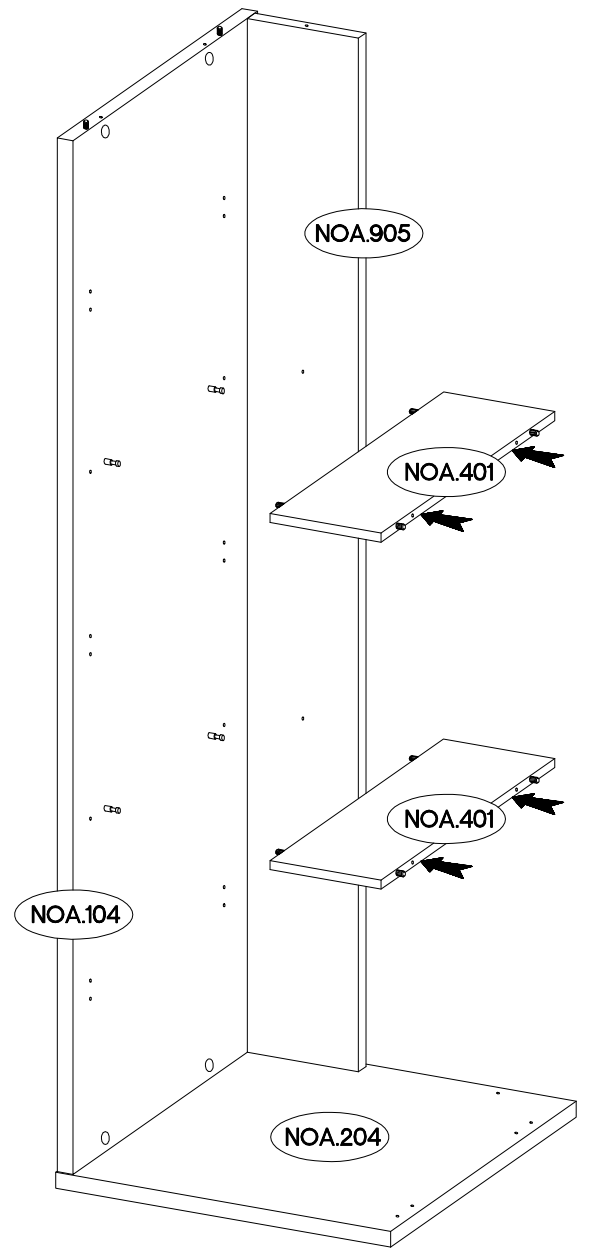
 A 12	 D2 10	 C 14
---	--	---



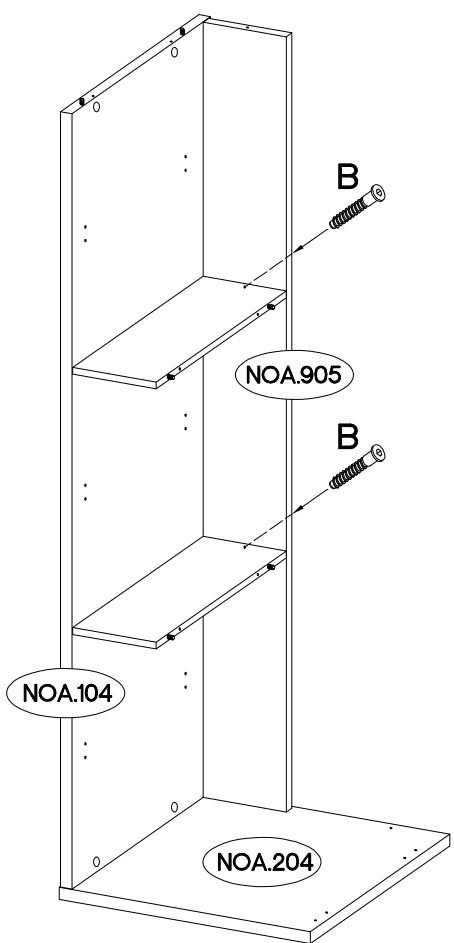
11



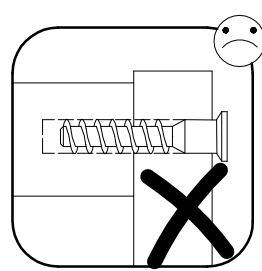
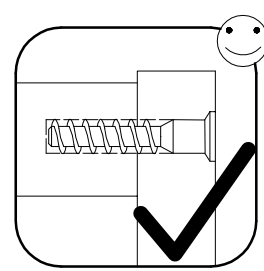
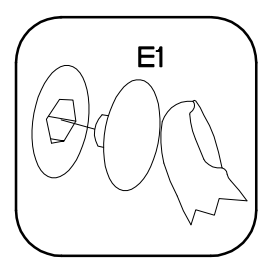
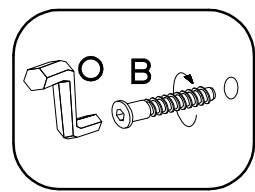
12



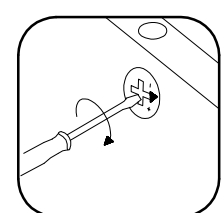
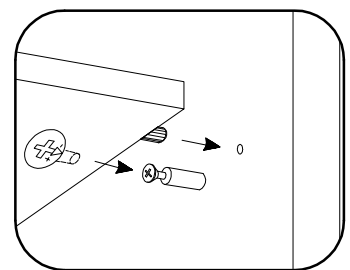
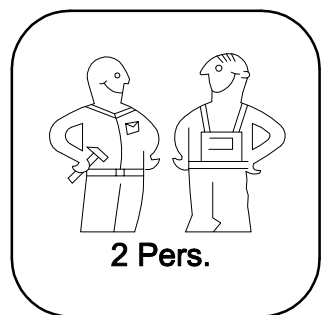
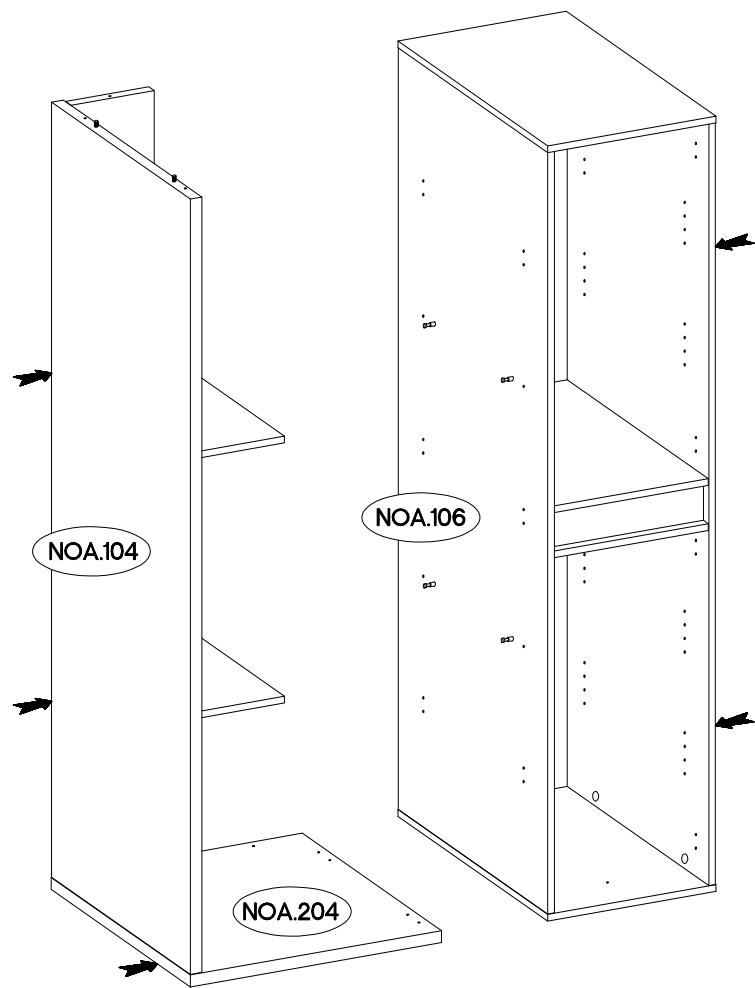
13



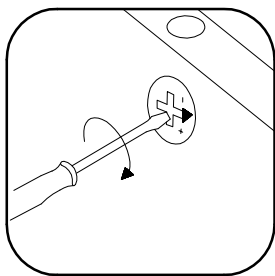
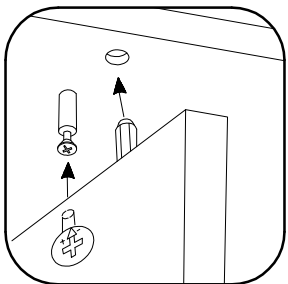
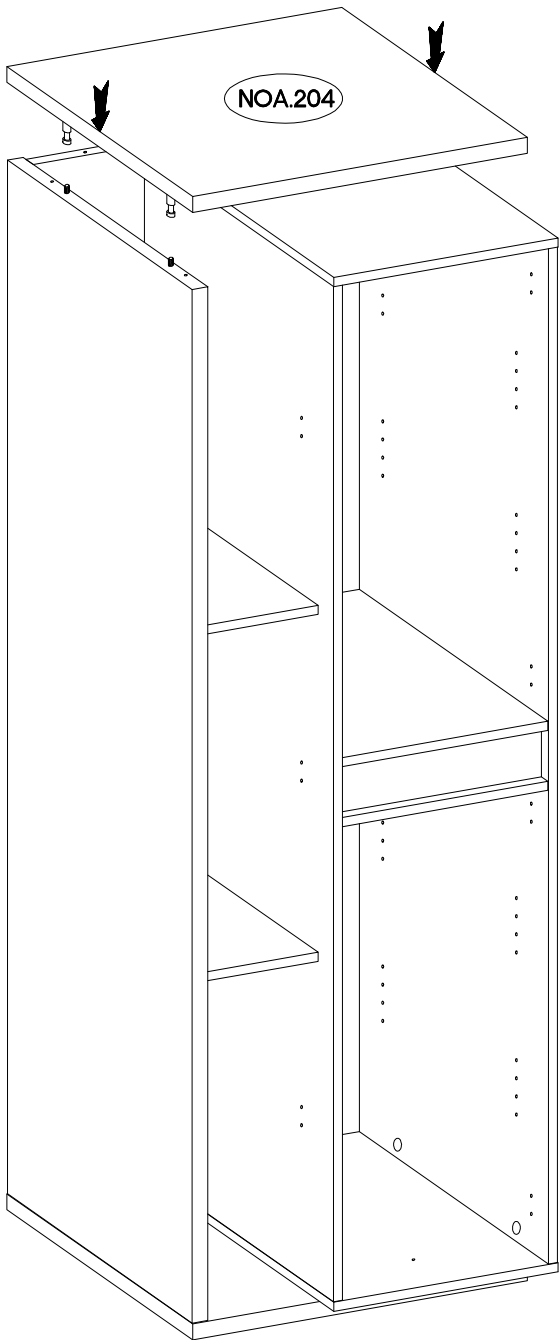
6,4 x 50mm		
B	O	E1
2	1	2



14

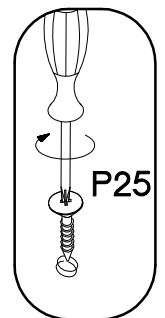
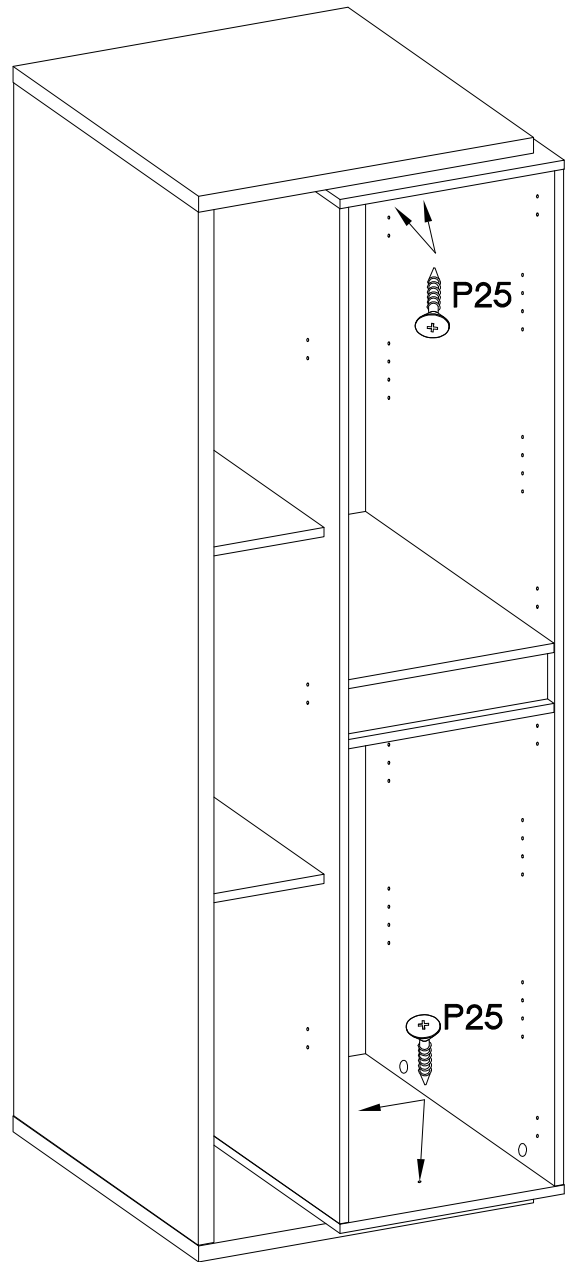


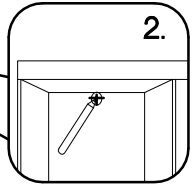
15






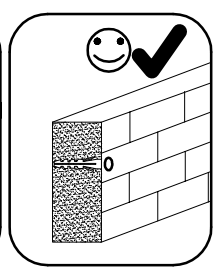
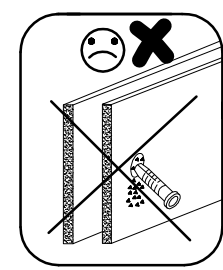
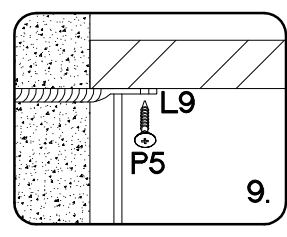
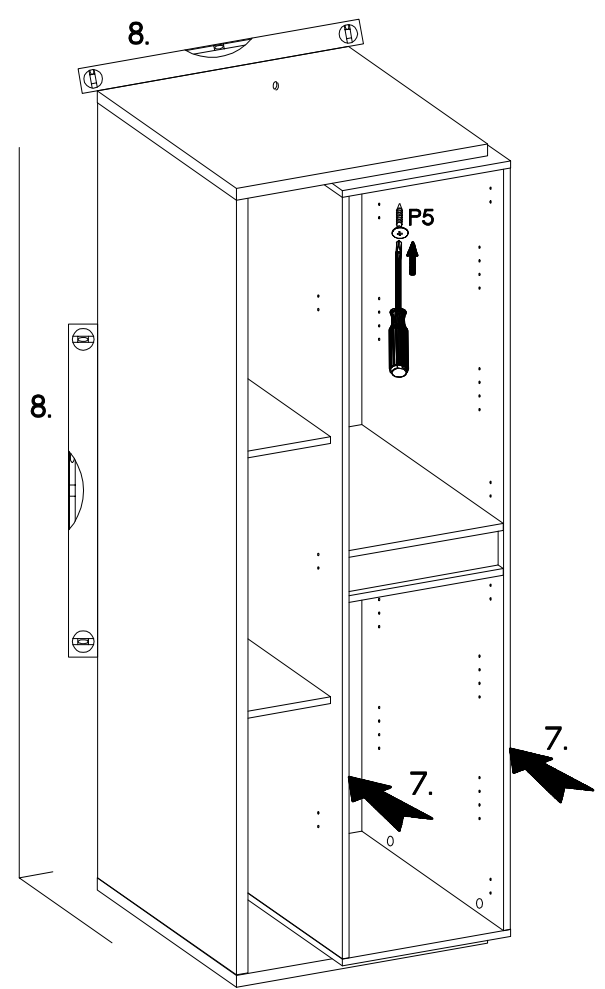
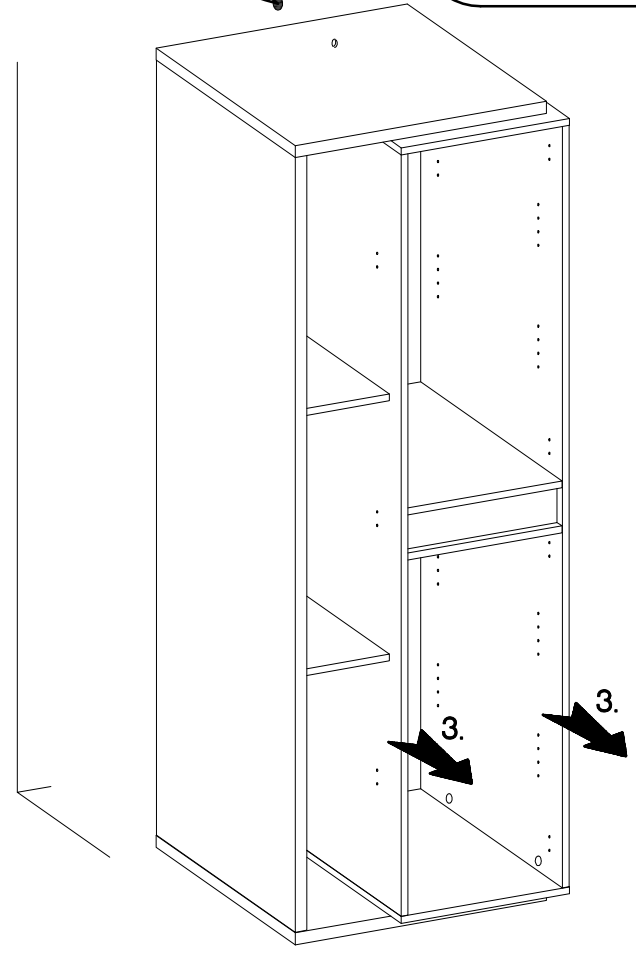
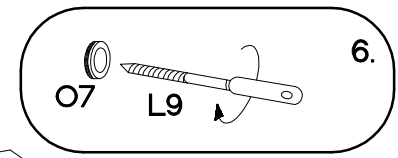
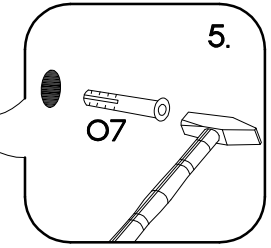
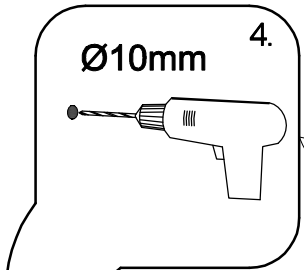
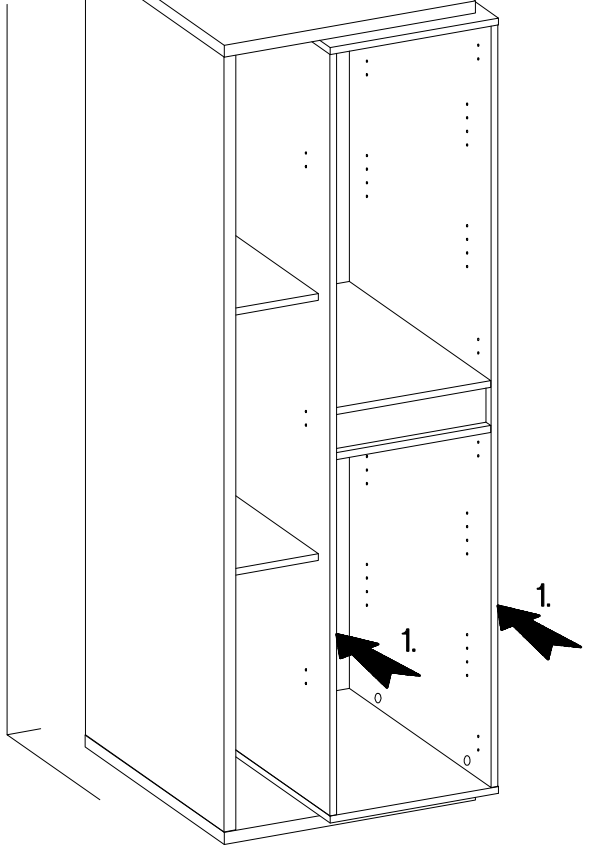
16

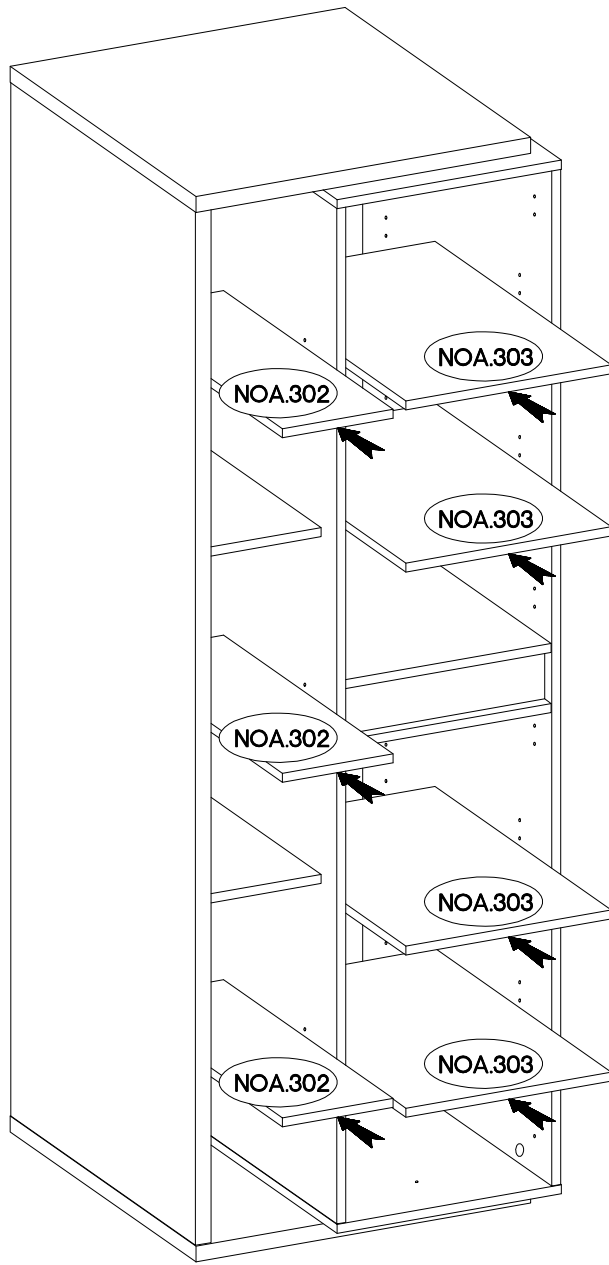
3.5x25mm
BLACK
P25
4

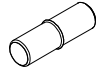


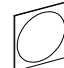


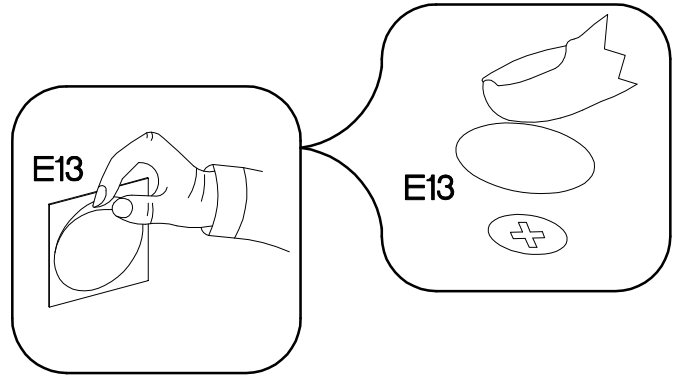
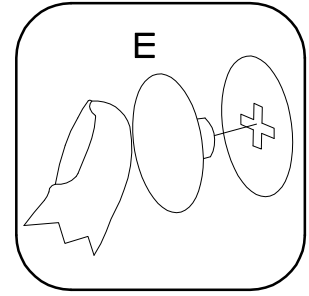
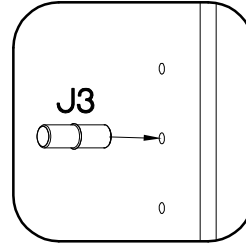




+10x50mm  Ø7 1	 L9 1	+3.5x13mm  P5 1
---	---	---

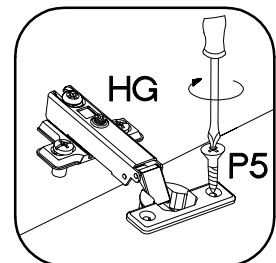
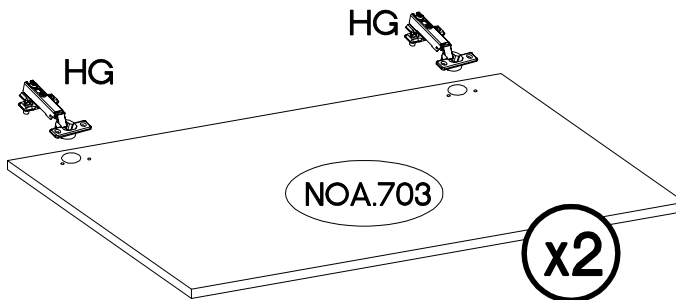


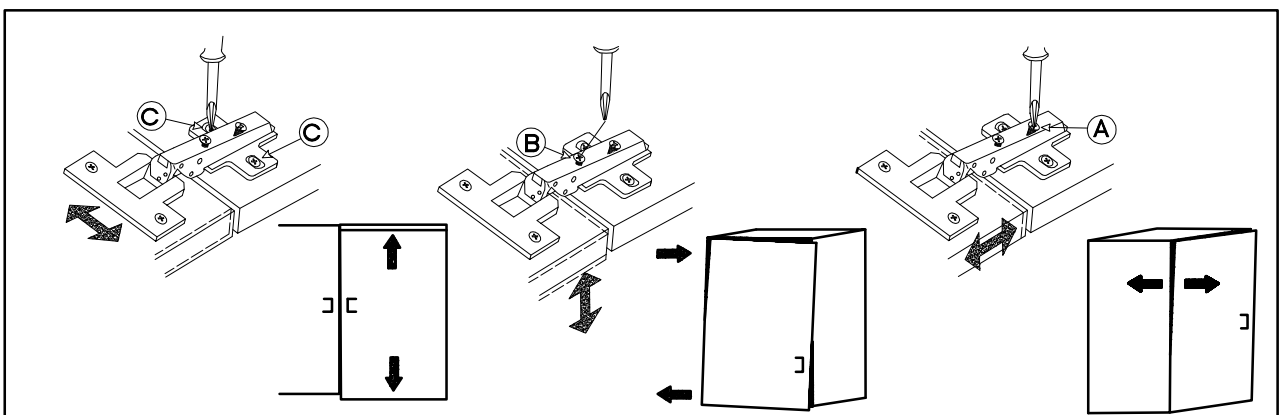
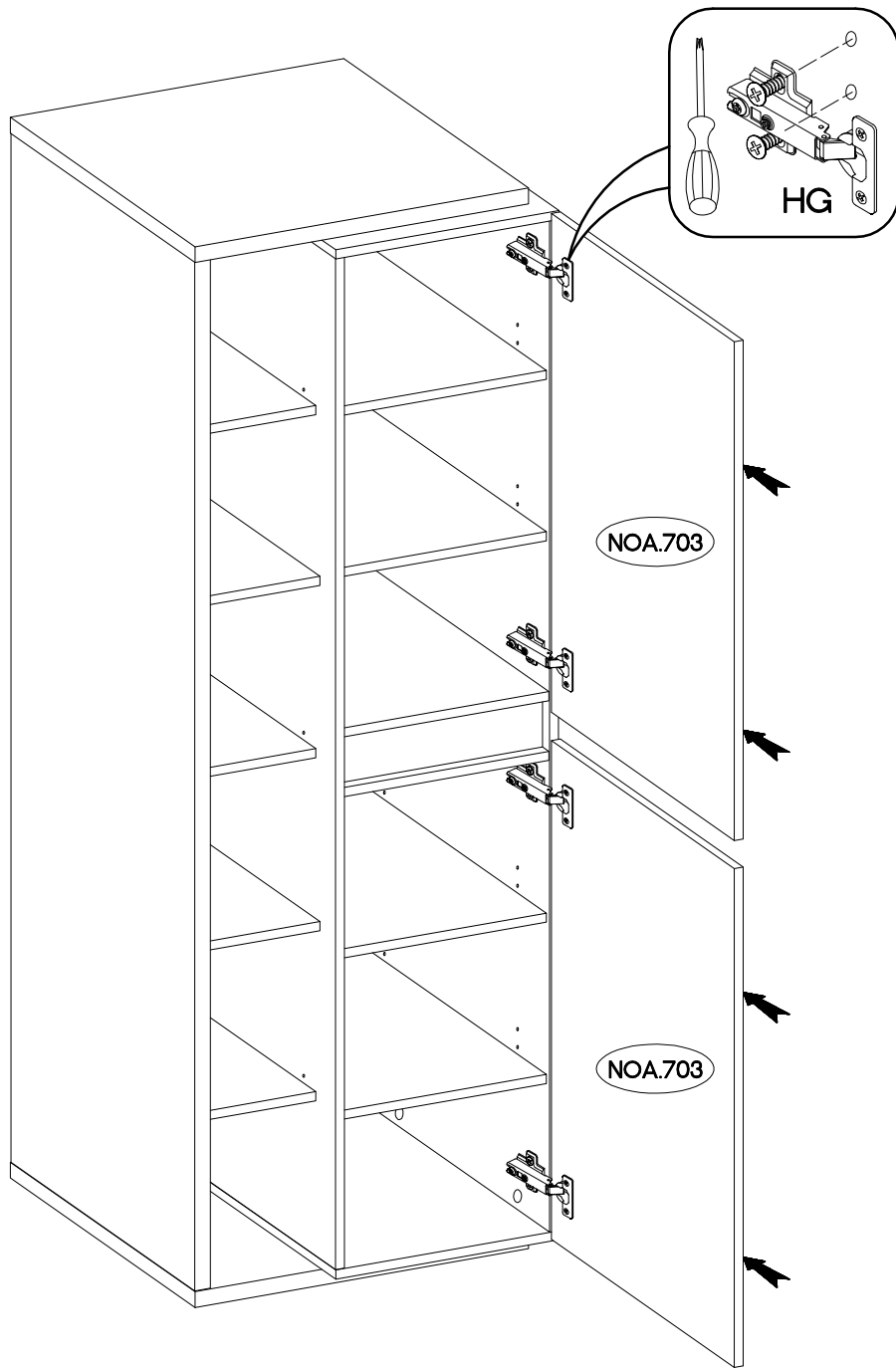





±5/16mm				±14	
	J3	ant. E	szar. E		E13
	28	12	14		4

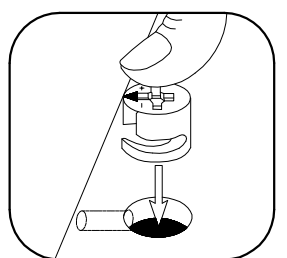
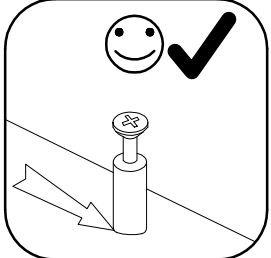
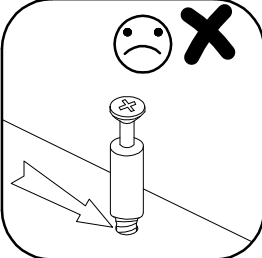
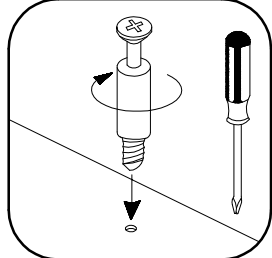
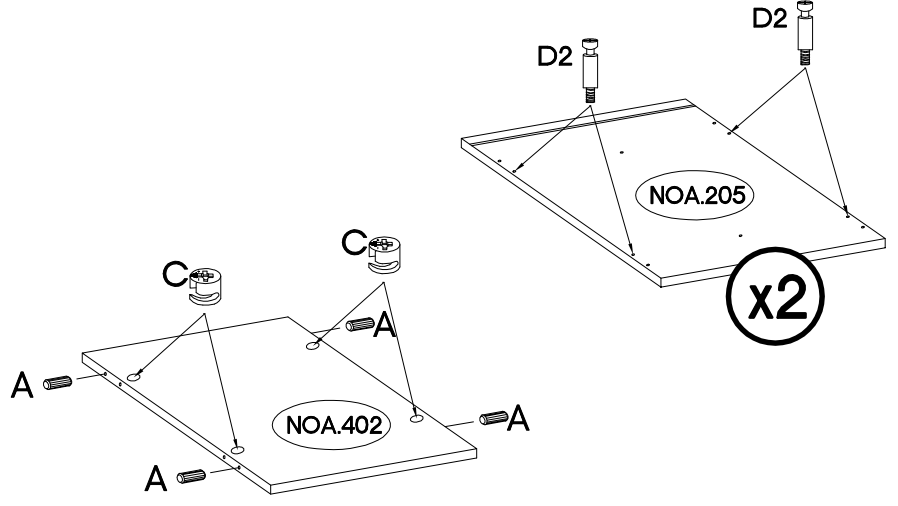
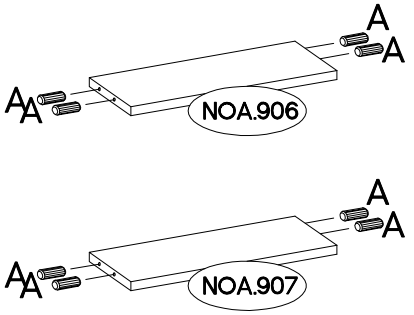
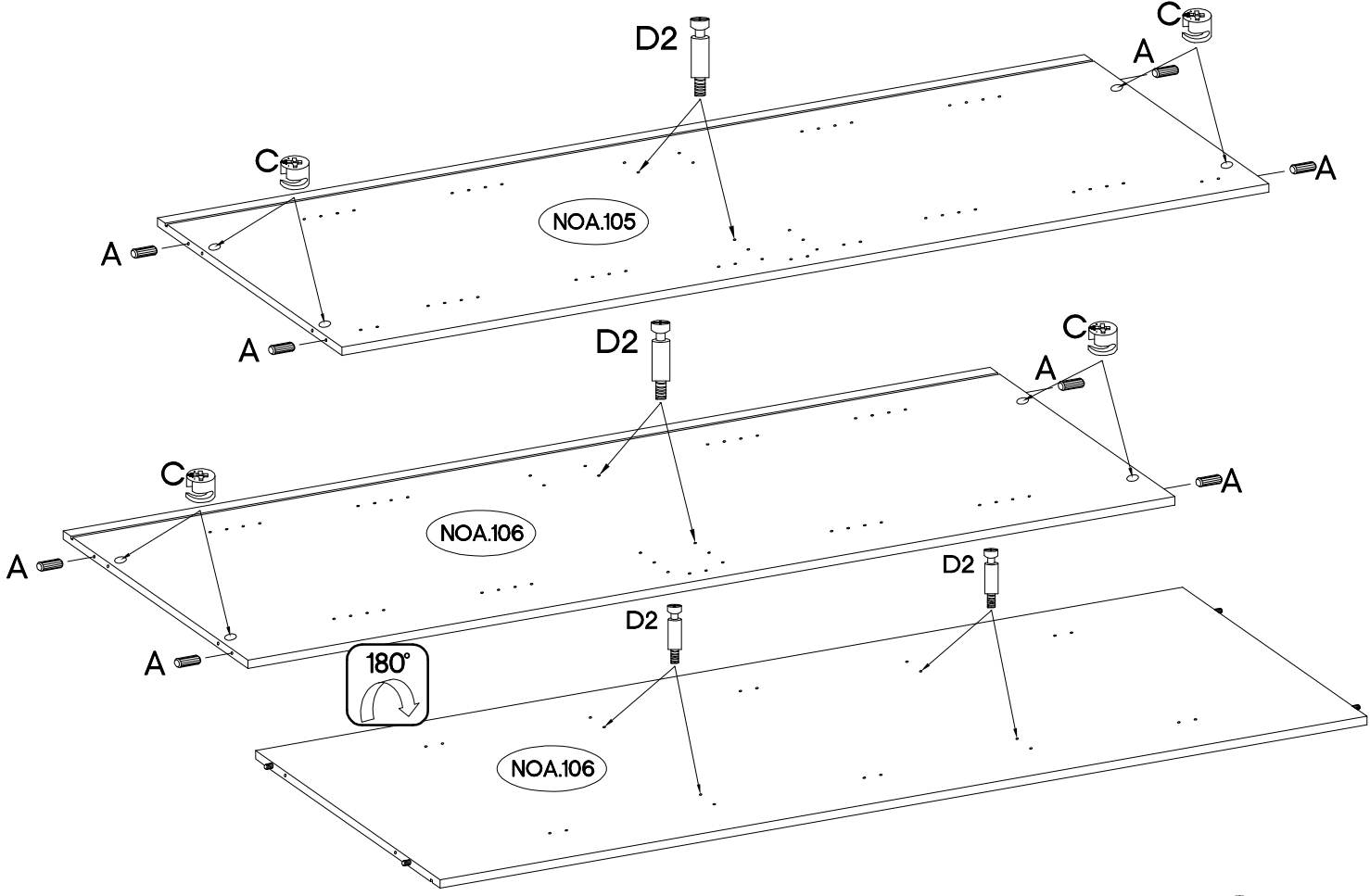
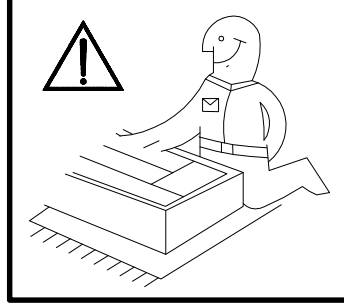
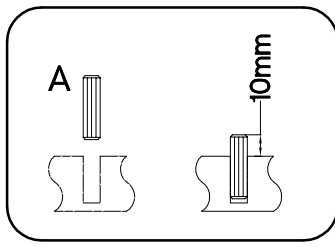


±35/0mm	±3.5x13mm
	
HG	P5
4	8

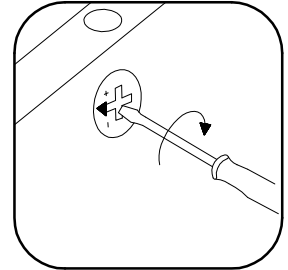
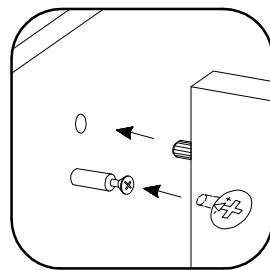
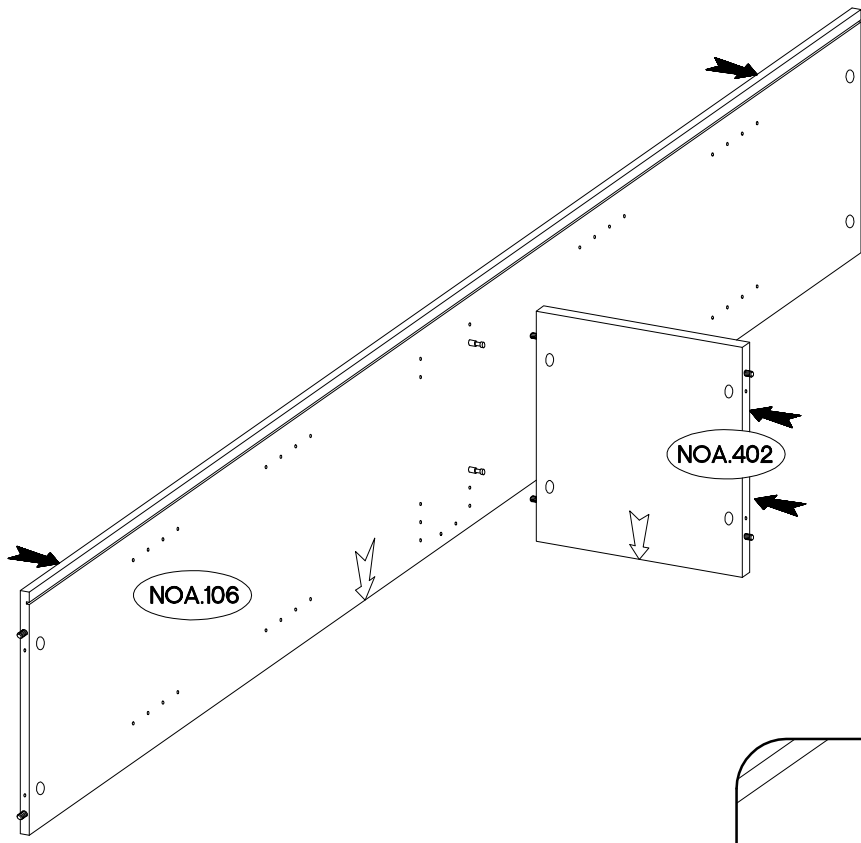
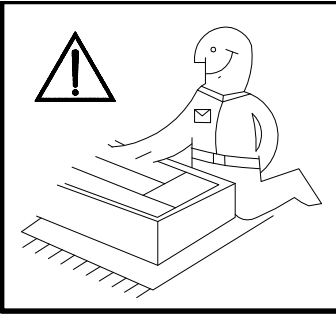




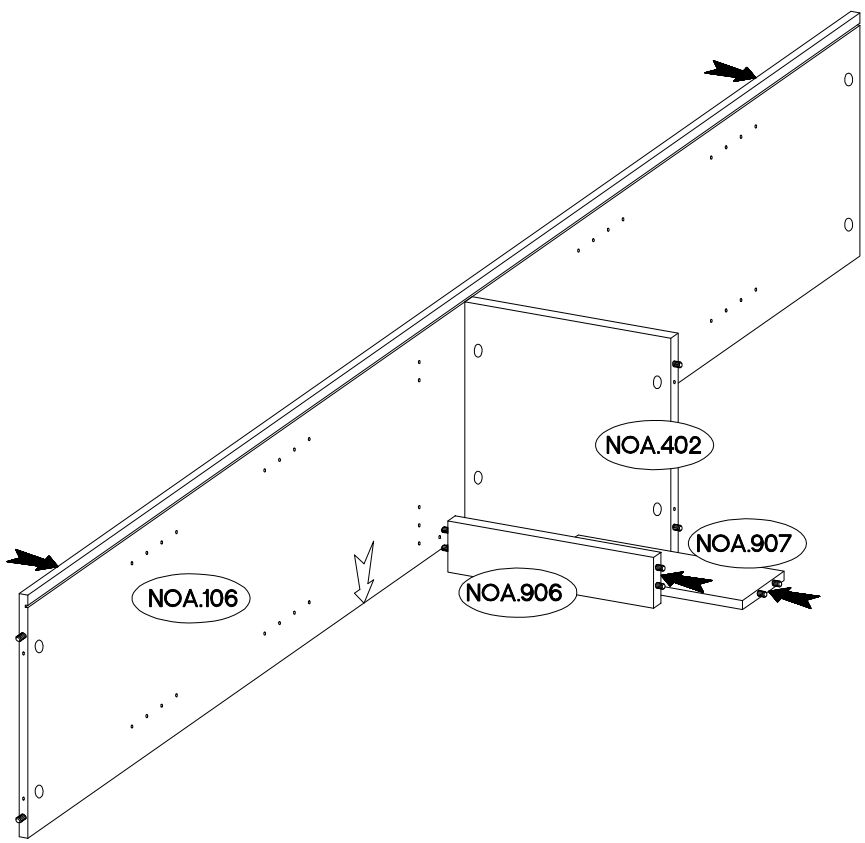
 A 20	 D2 16	 C 12
--	---	--



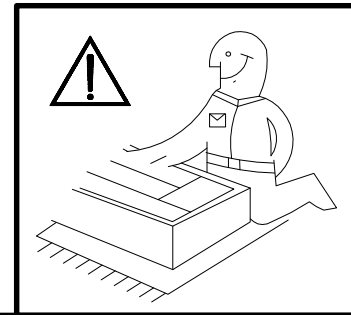
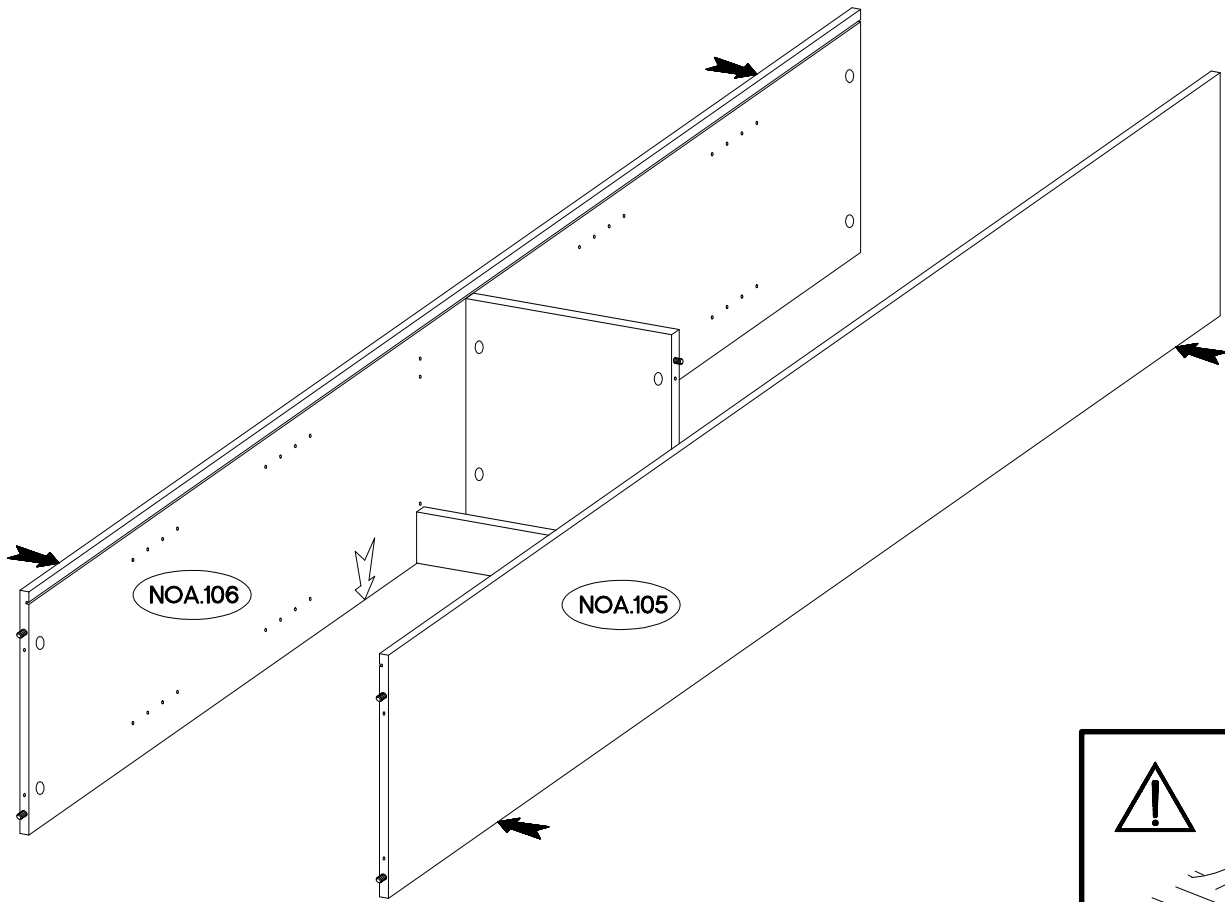
22



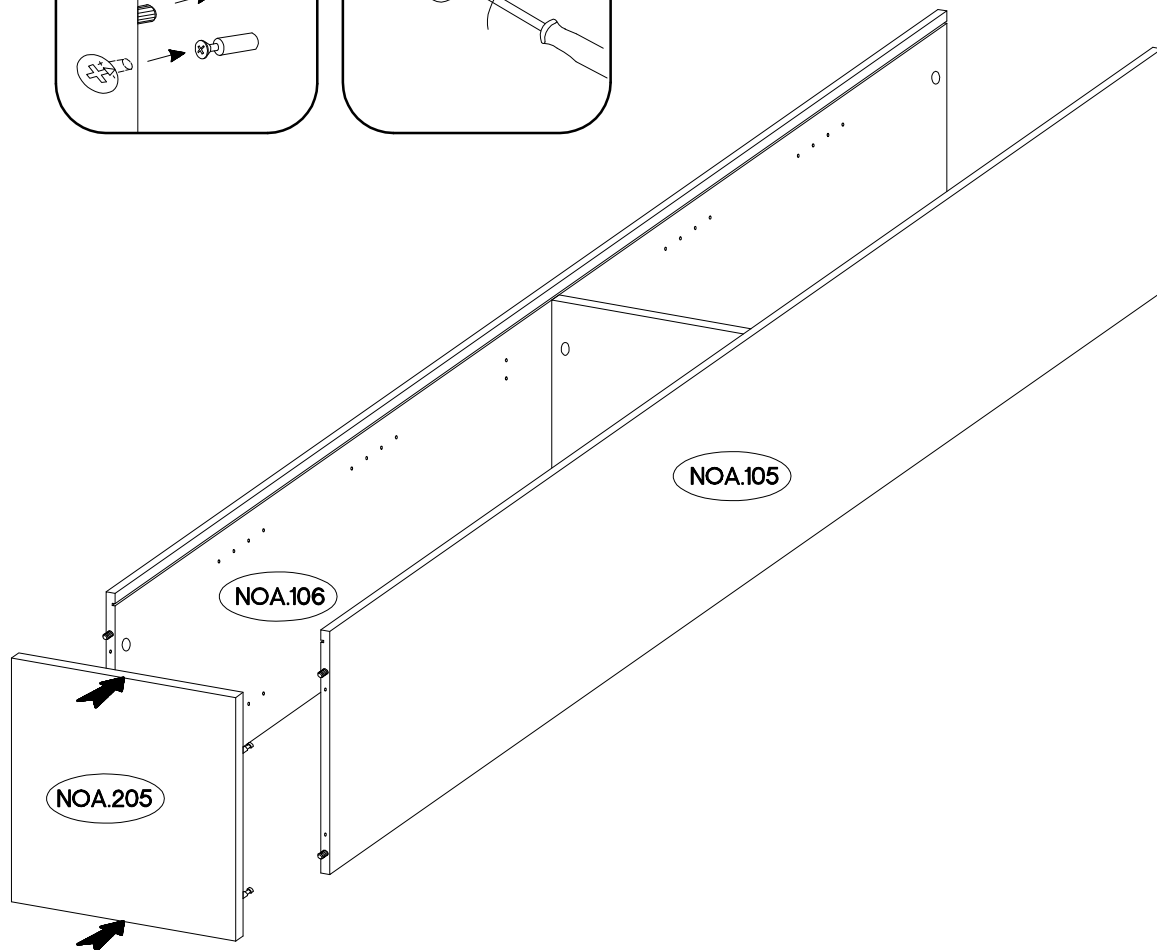
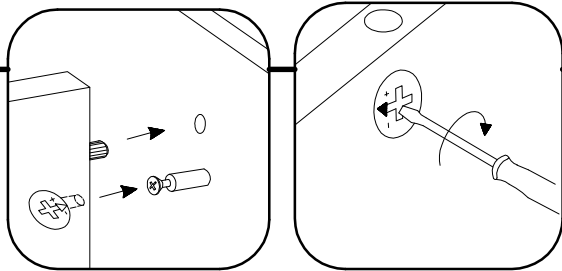
23



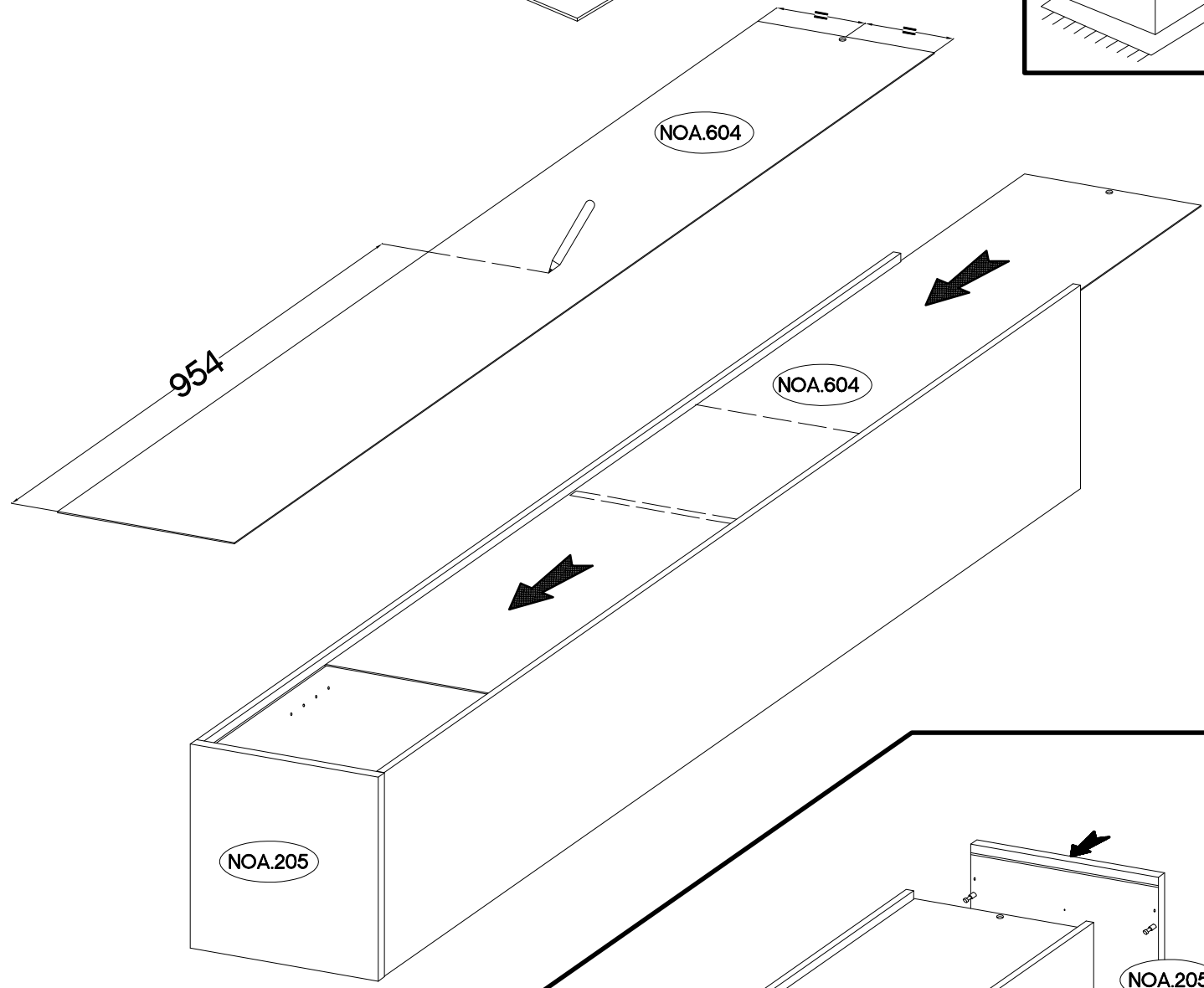
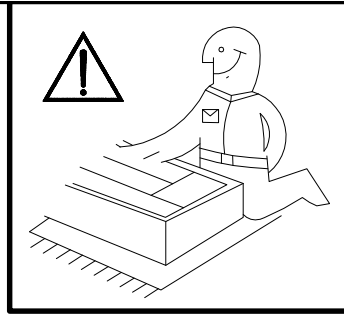
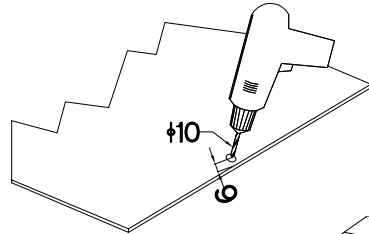
24



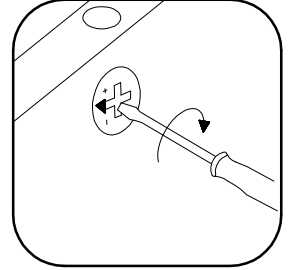
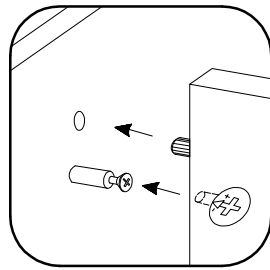
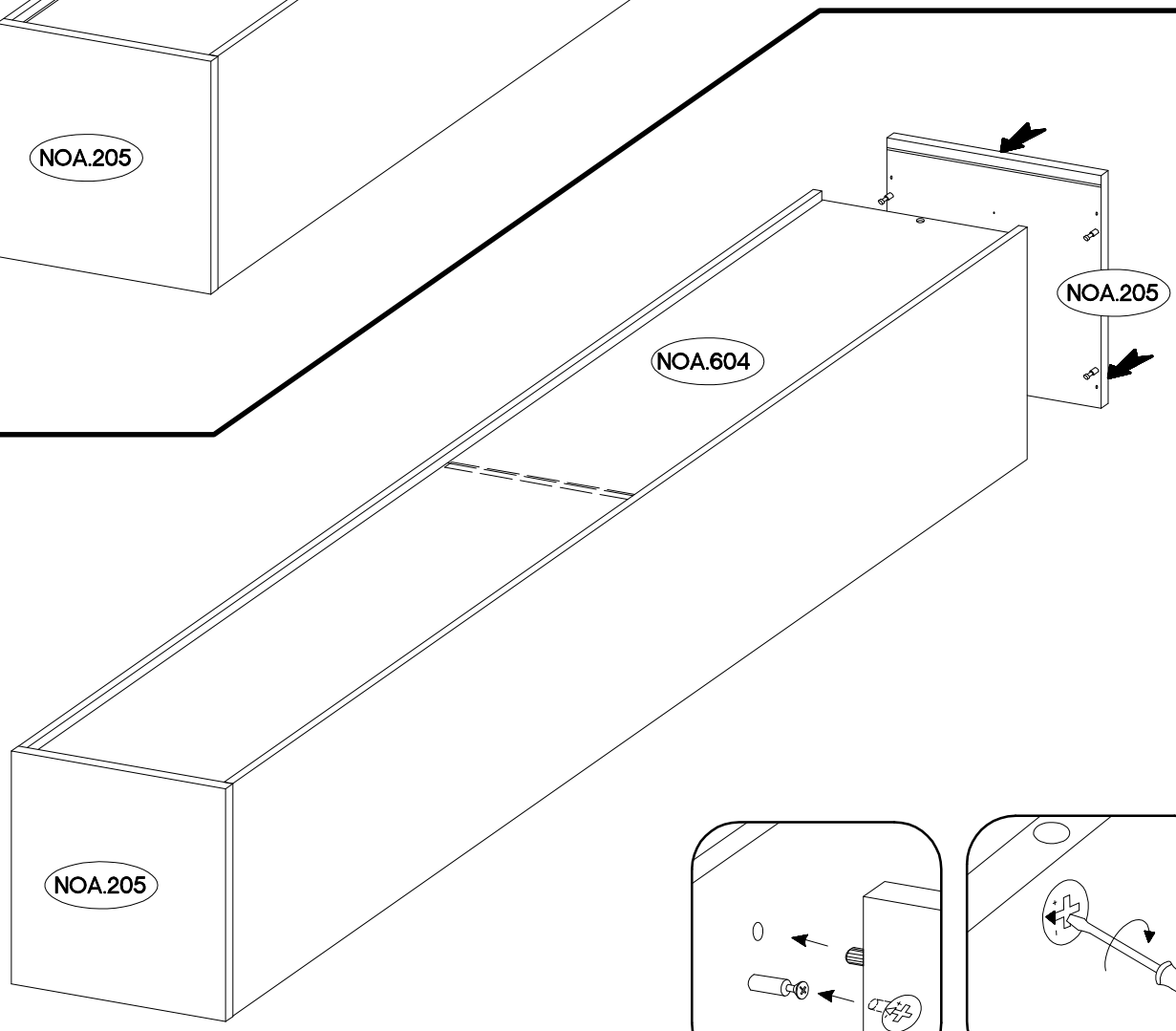
25


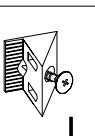


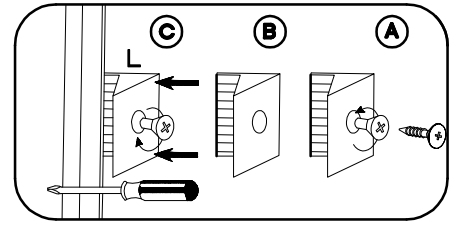
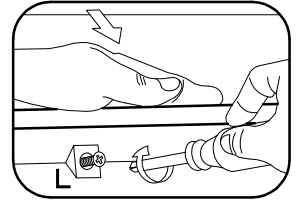
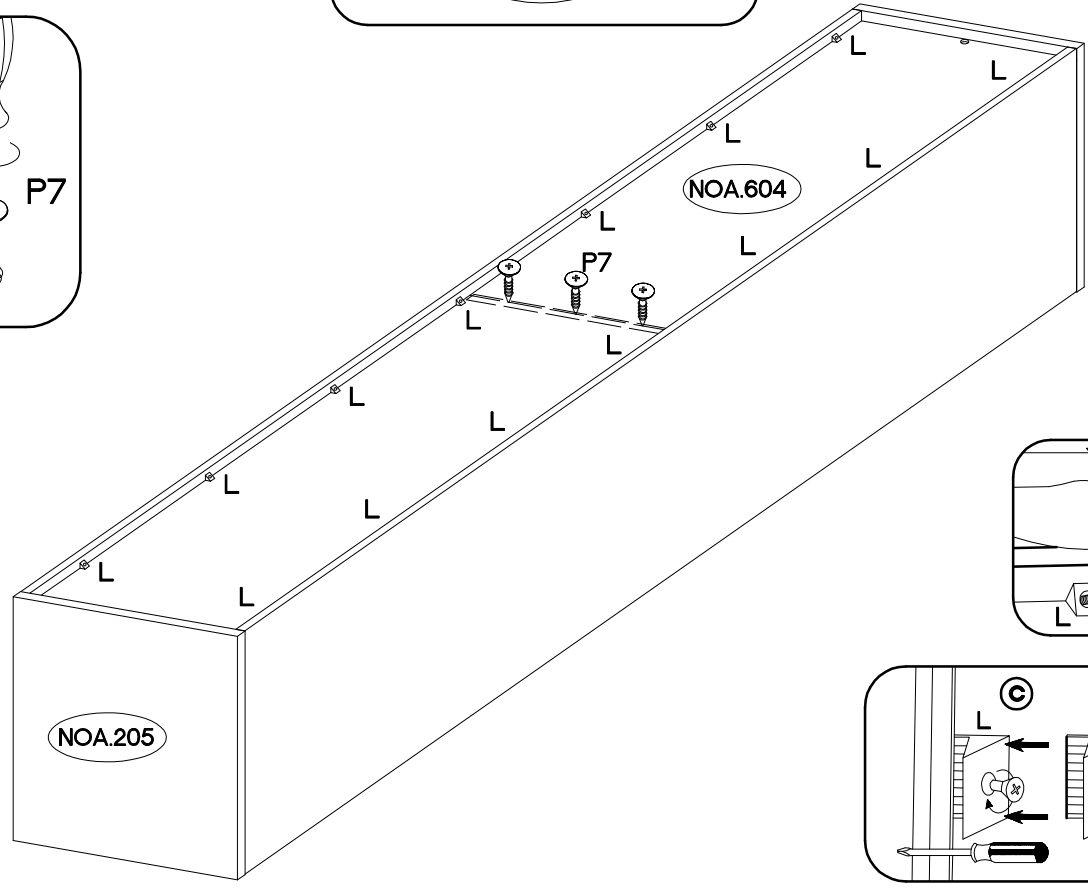
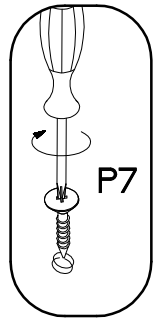
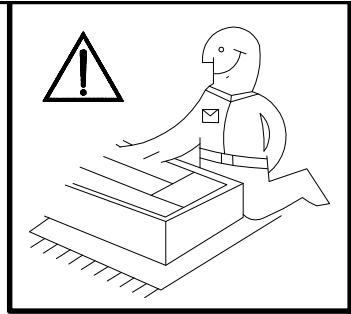
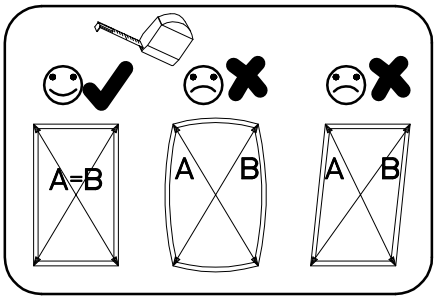
26

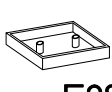



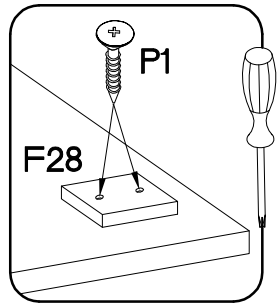
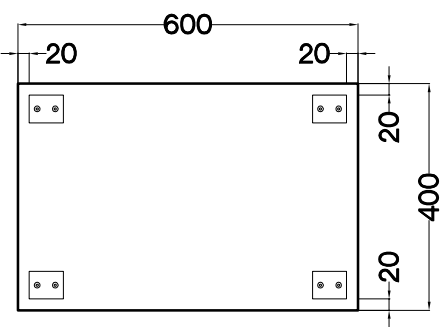
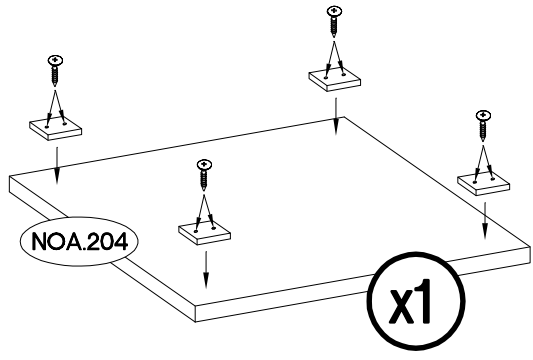
27

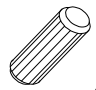
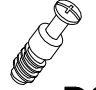



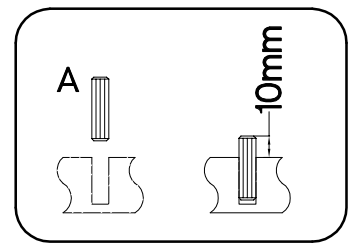
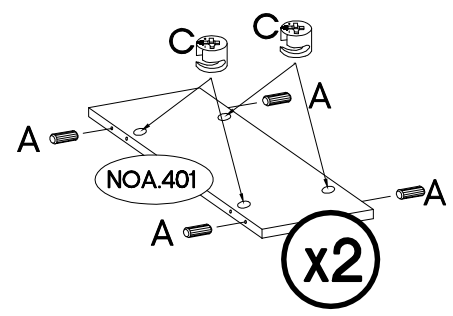
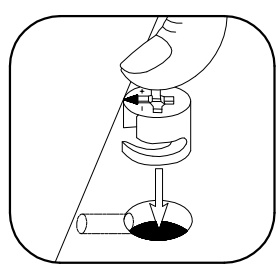
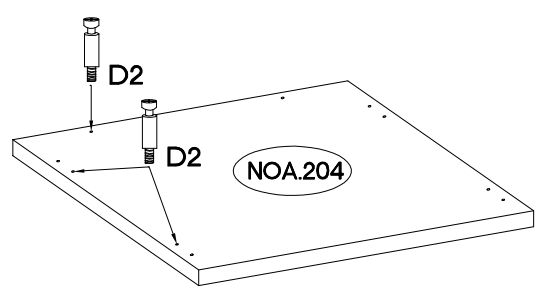
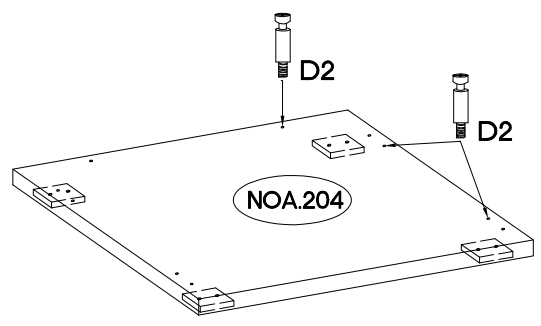
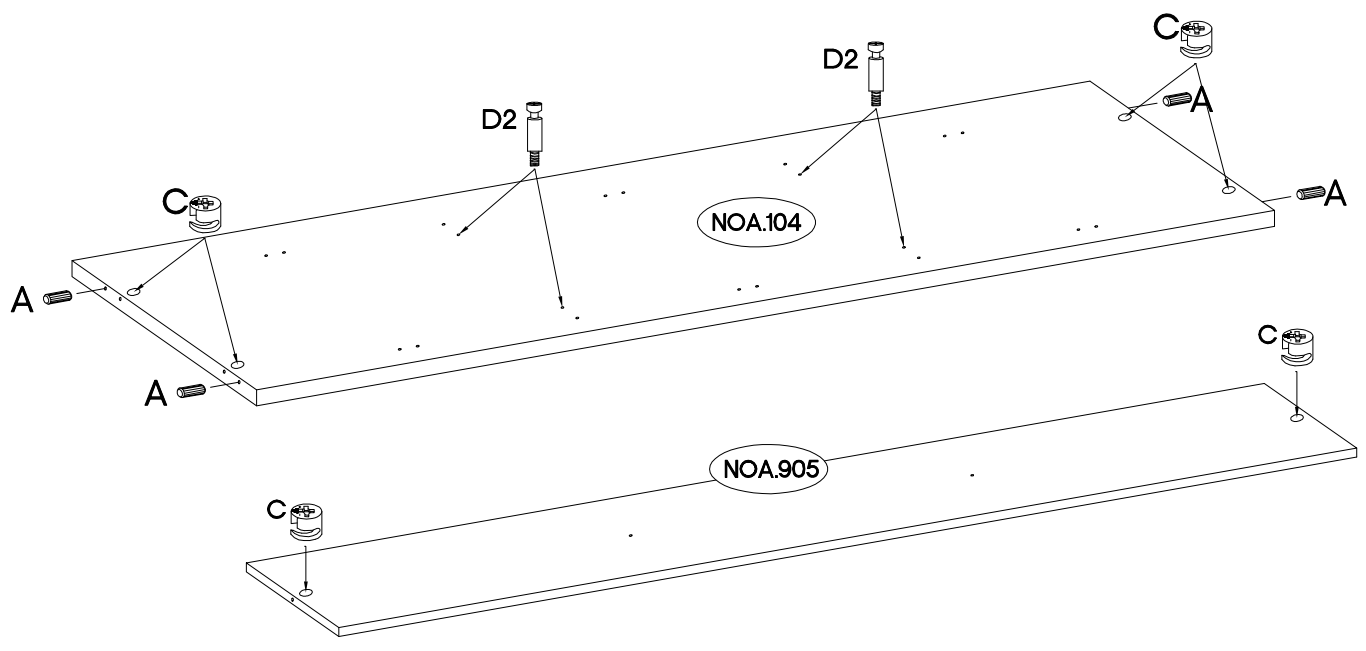
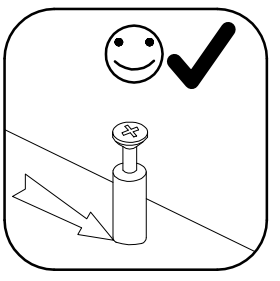
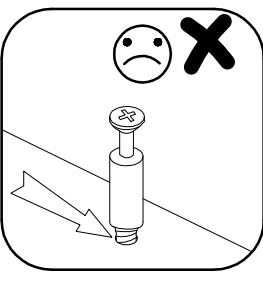
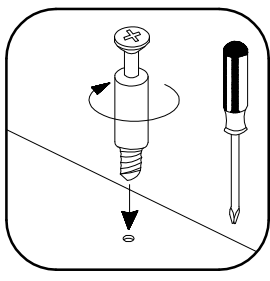
†3.0x20mm  P7 3	 L 14
--	---

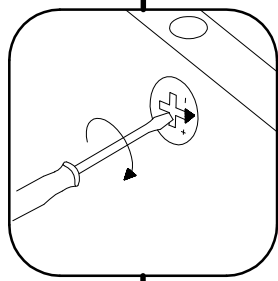
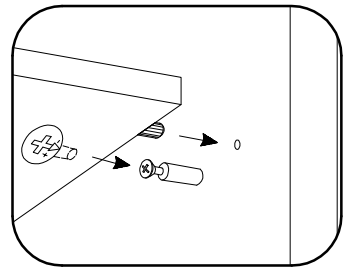
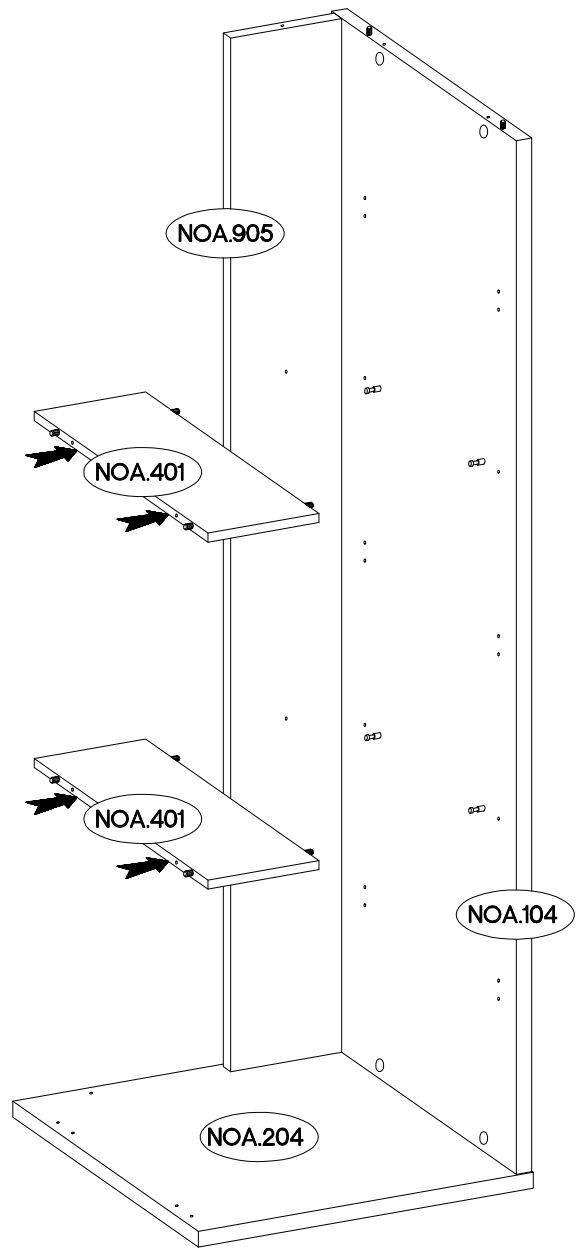
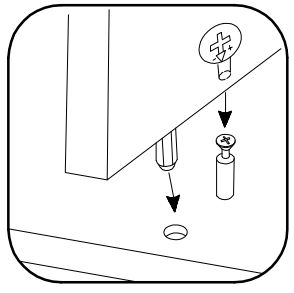
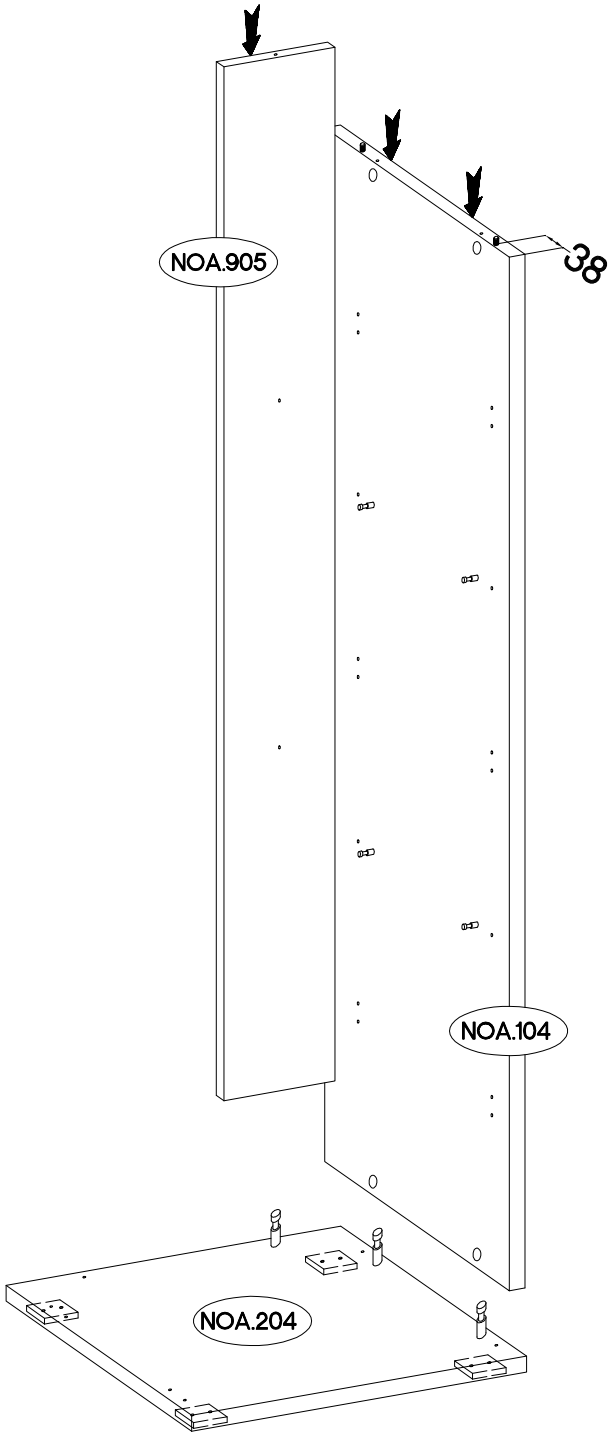


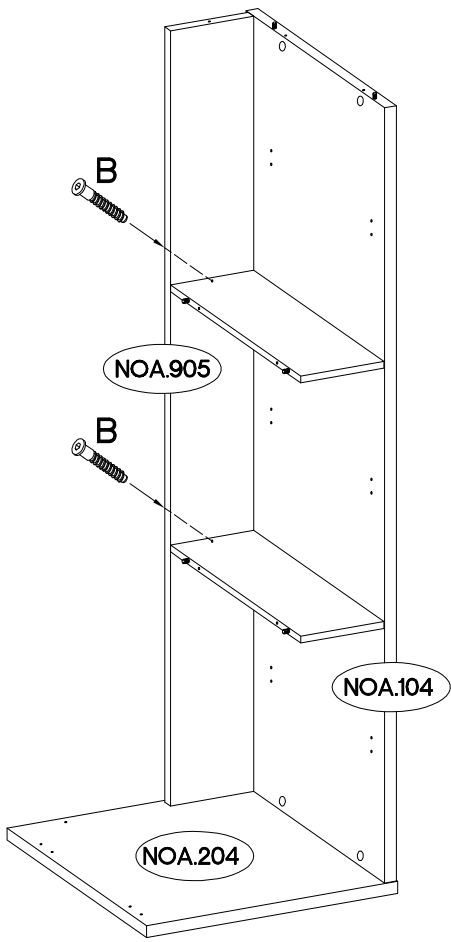
60x49x10  F28 4	†4.0x16mm  P1 8
---	---



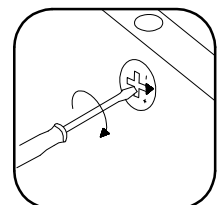
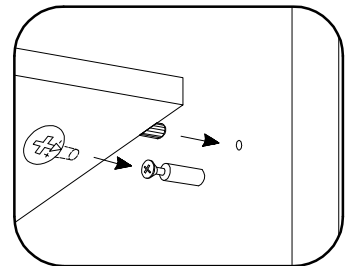
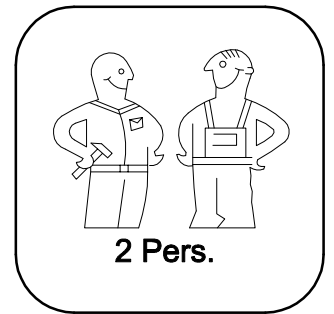
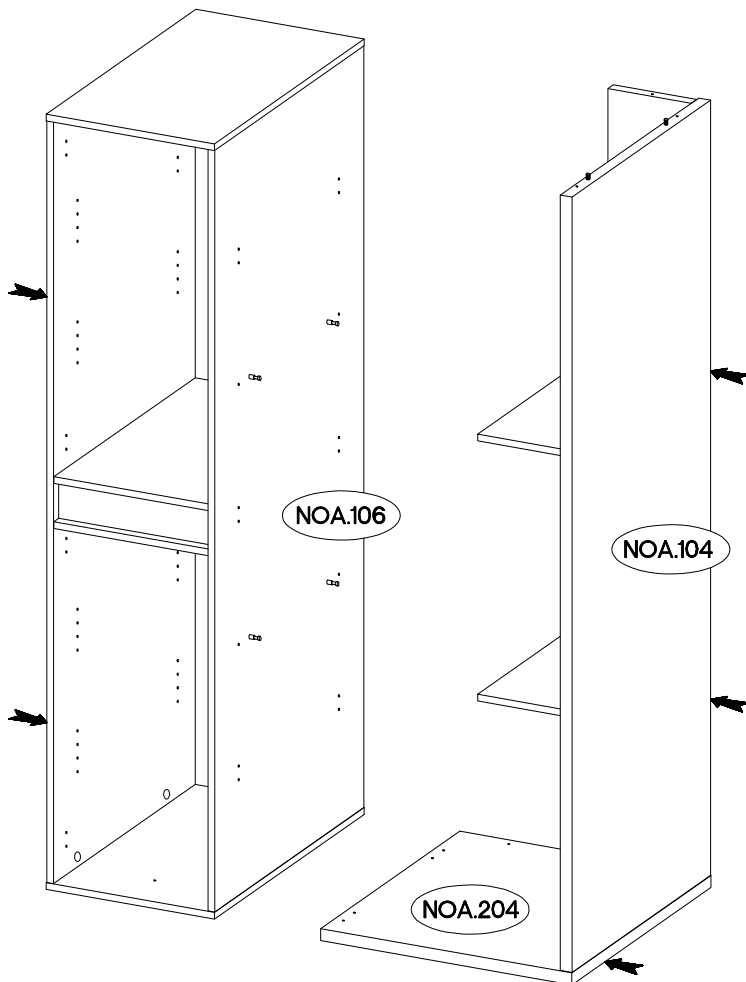
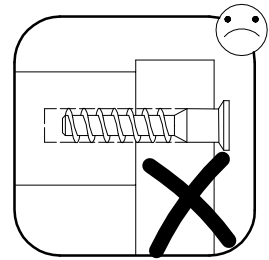
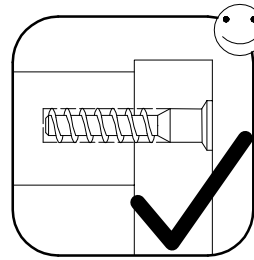
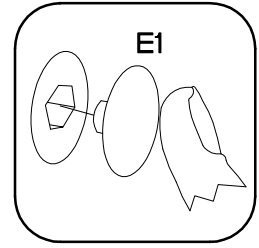
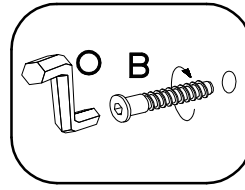
 <p>#8x30mm A 12</p>	 <p>L=20mm D2 10</p>	 <p>#15/12mm C 14</p>
--	--	---



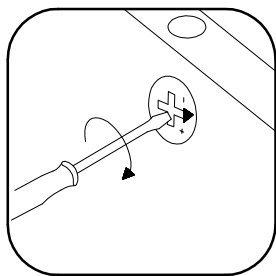
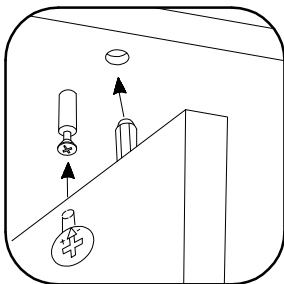
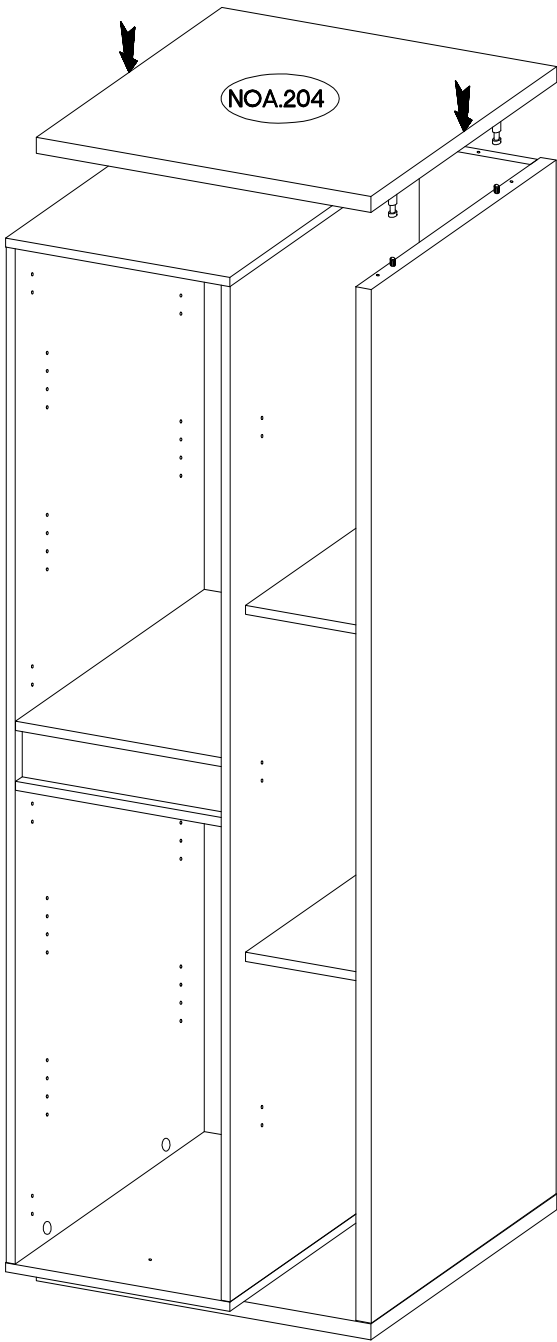




6,4 x 50mm		
B	O	E1
2	1	2

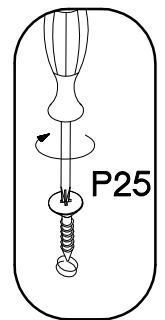
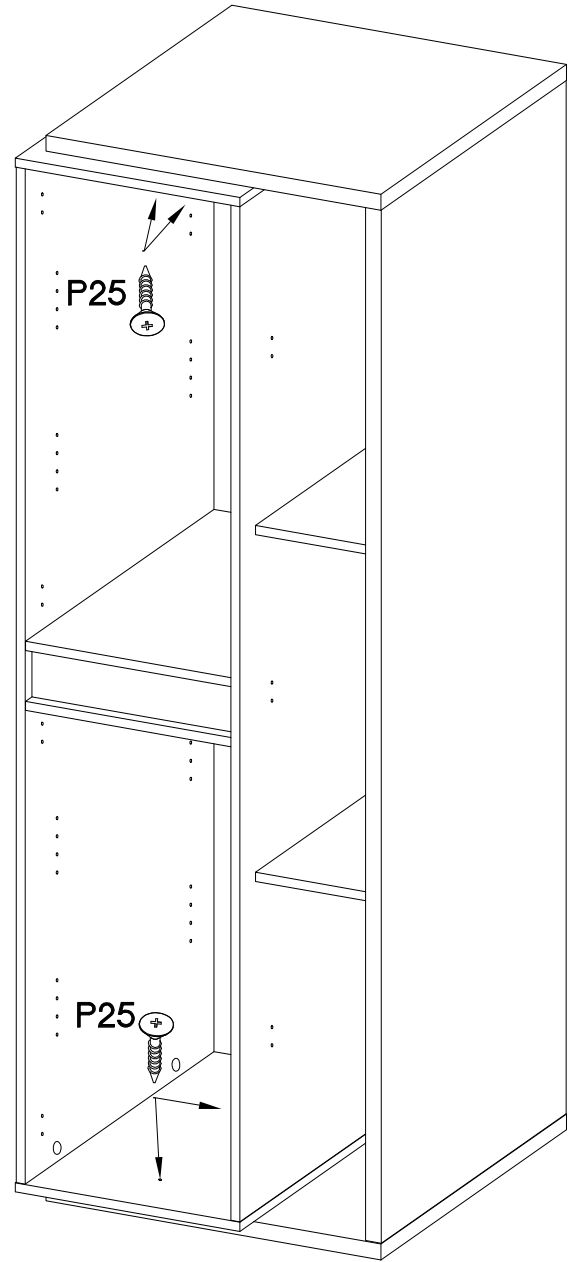


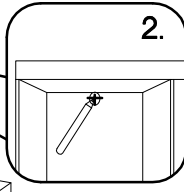
35



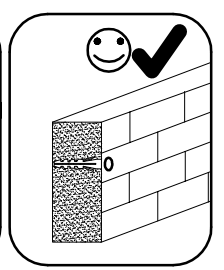
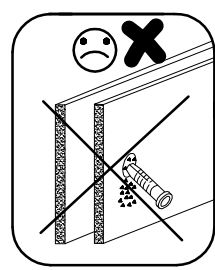
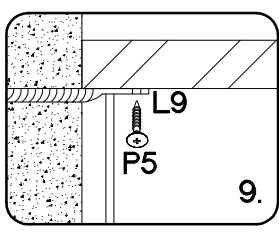
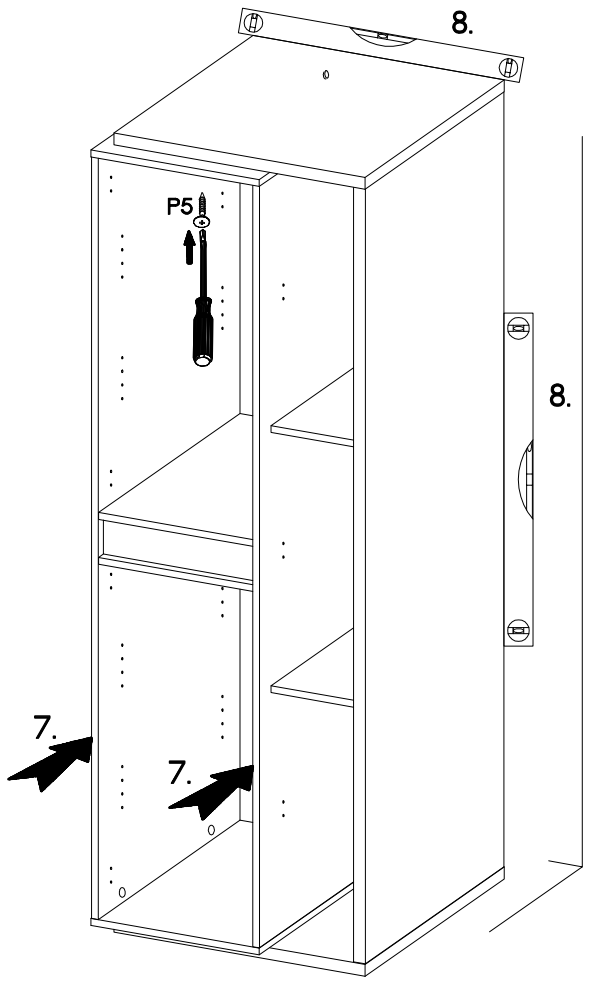
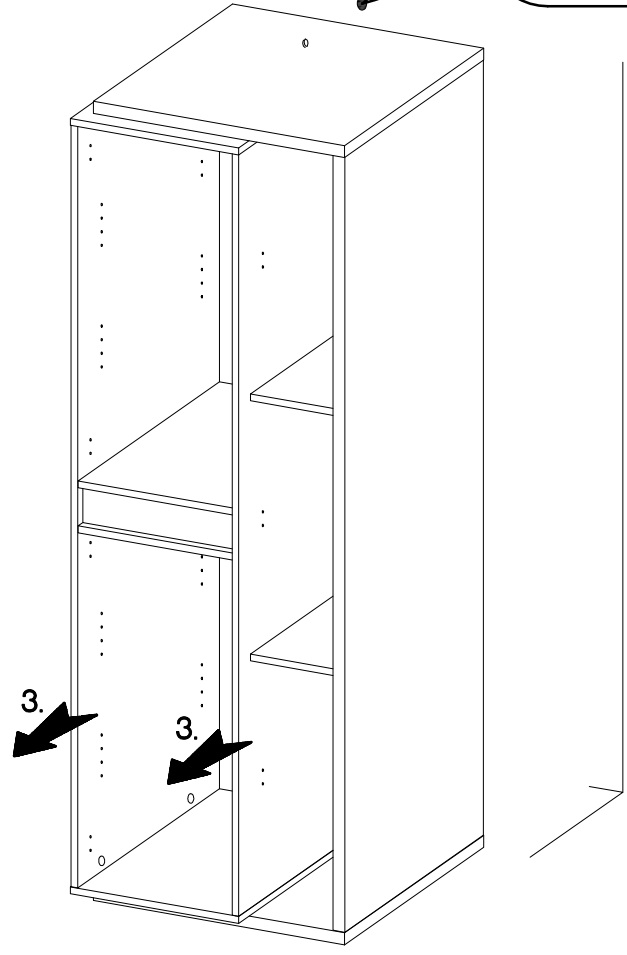
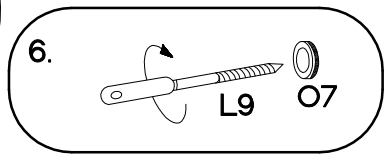
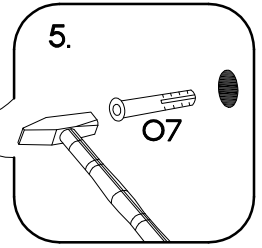
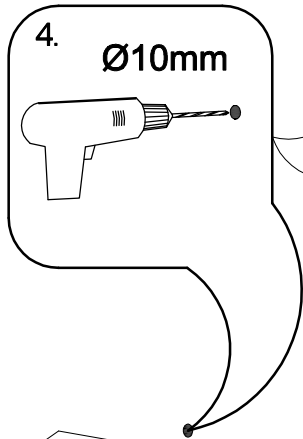
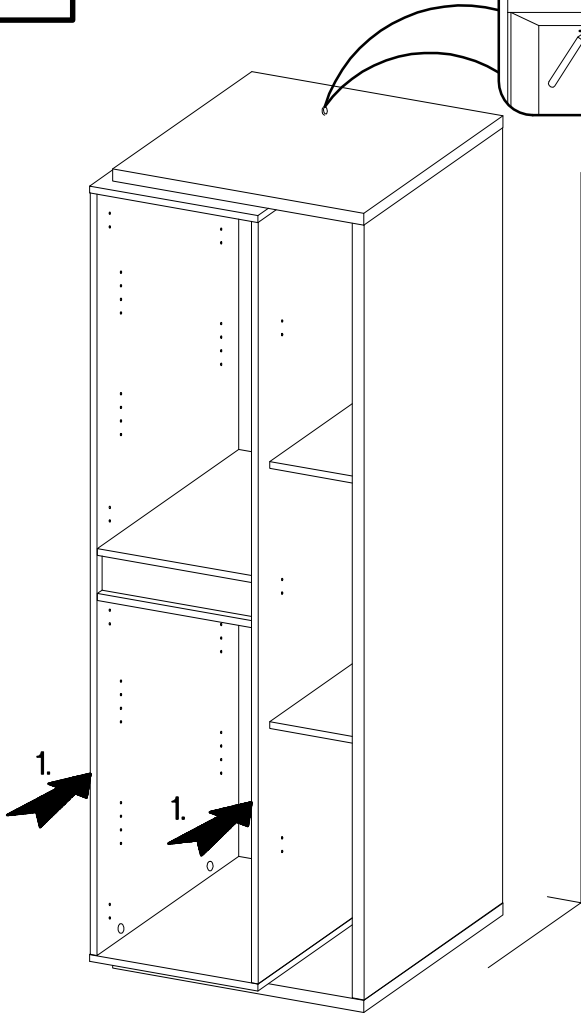
36

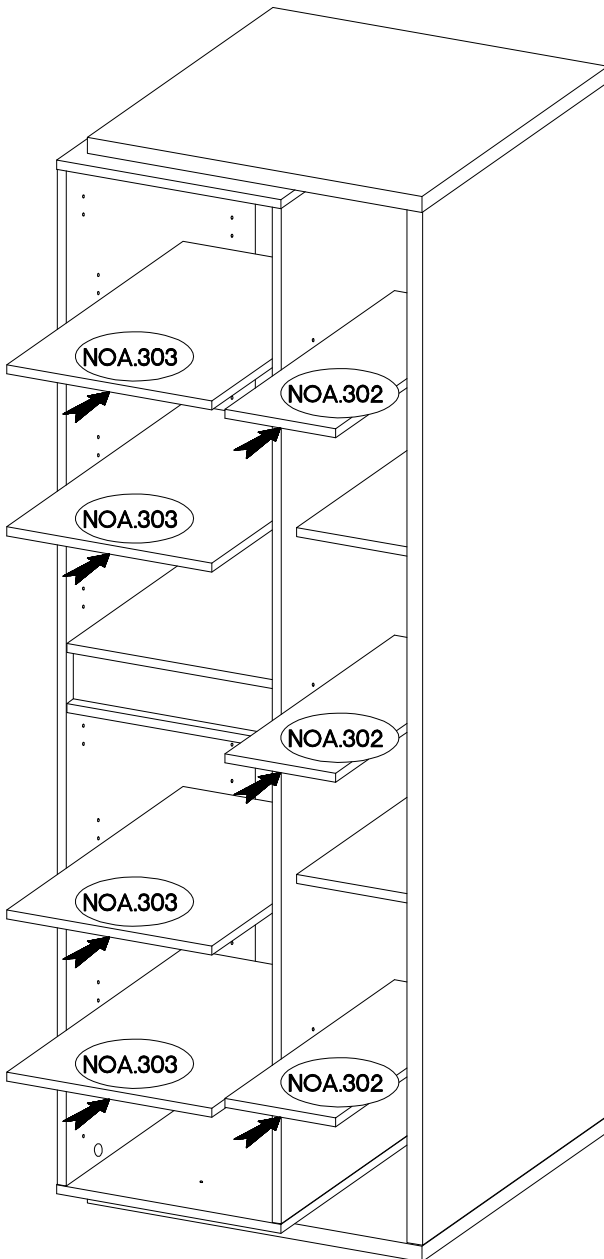
3.5x25mm
BLACK
P25
4



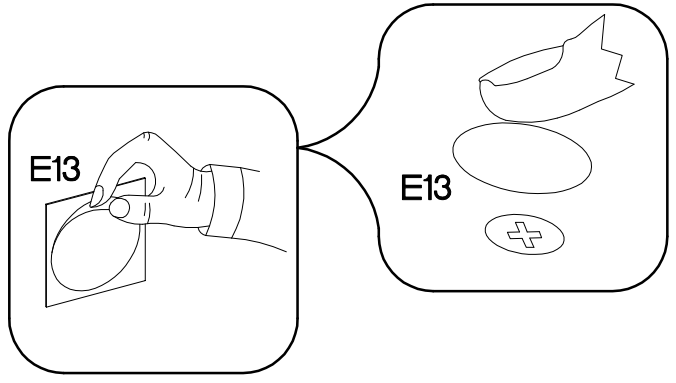
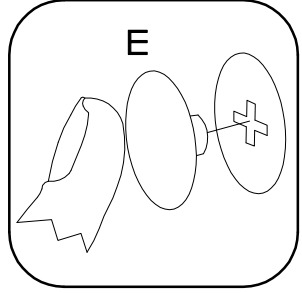
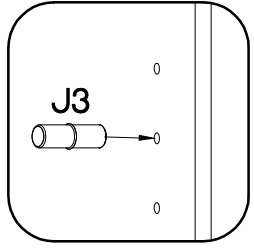


+10x50mm		+3.5x13mm
O7	L9	P5
1	1	1

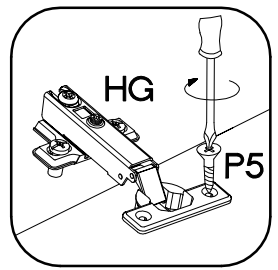
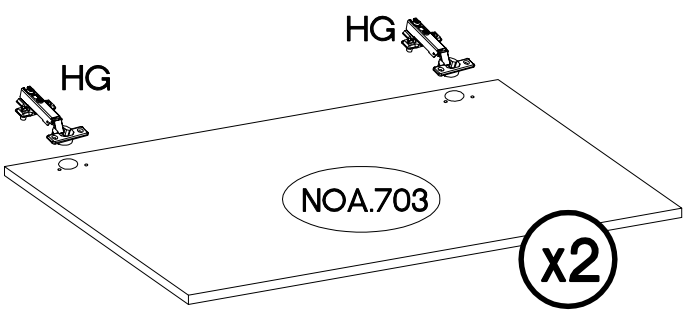




±5/16mm				±14	
	J3	ant. E	szar. E		E13
	28	12	14		4



±35/0mm	±3.5x13mm
HG	P5
4	8



x2

