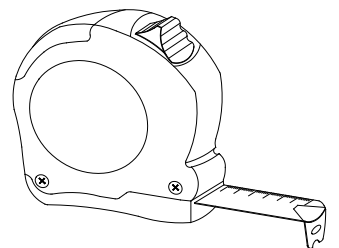
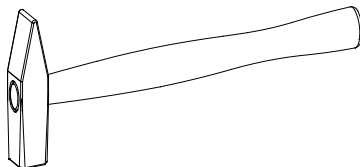
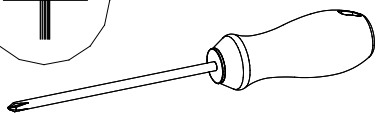
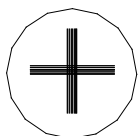
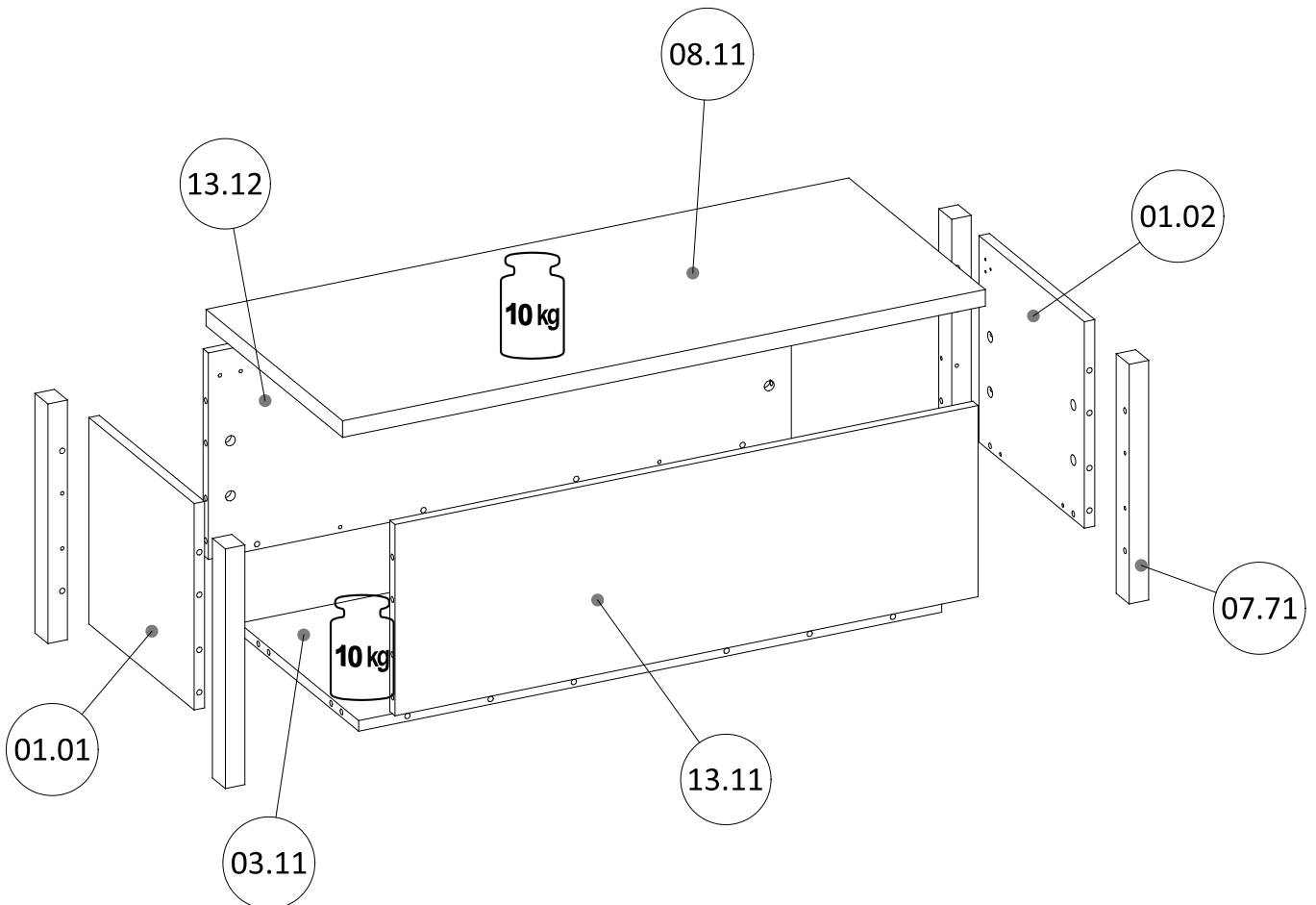
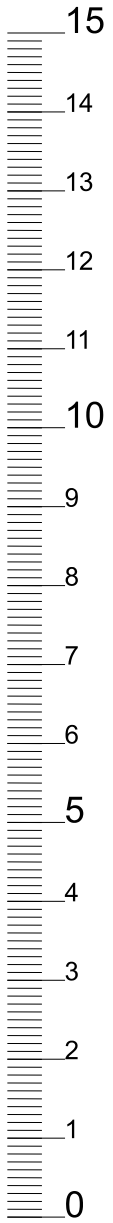


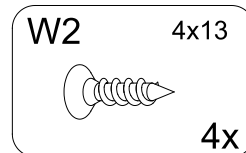
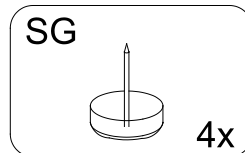
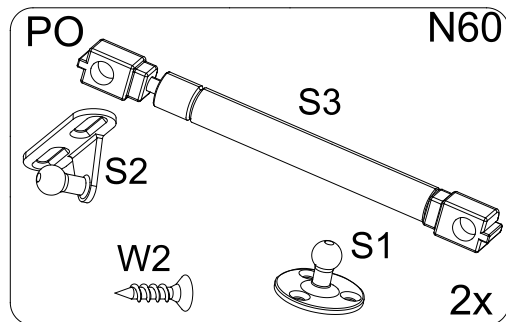
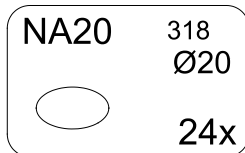
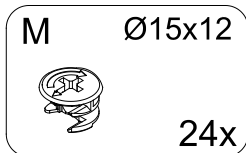
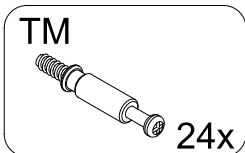
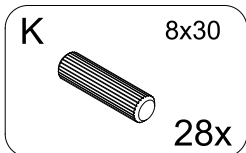
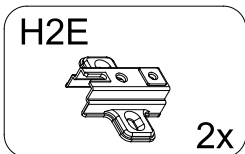
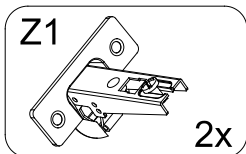
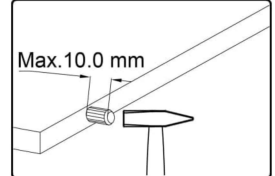
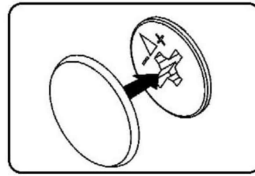
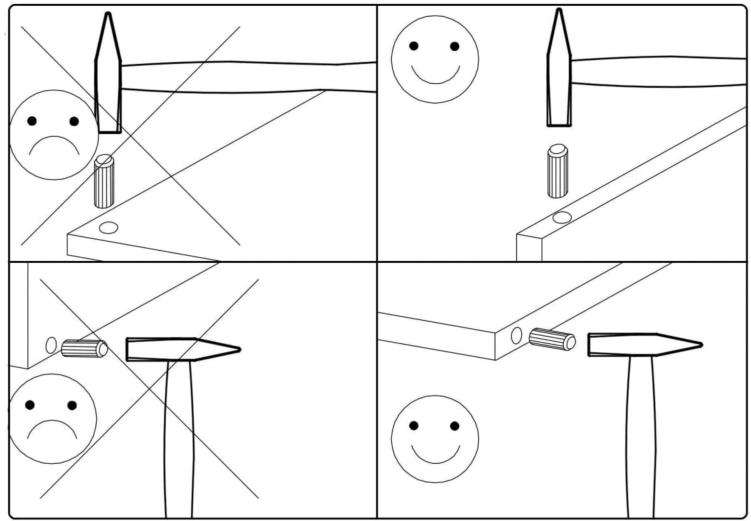
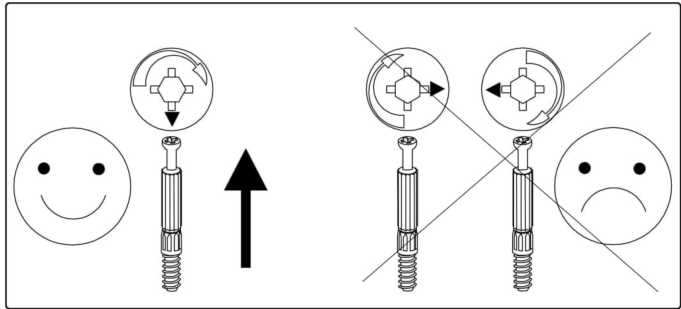
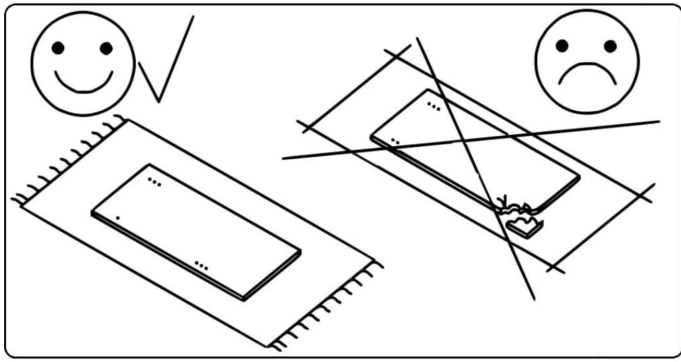
60 min



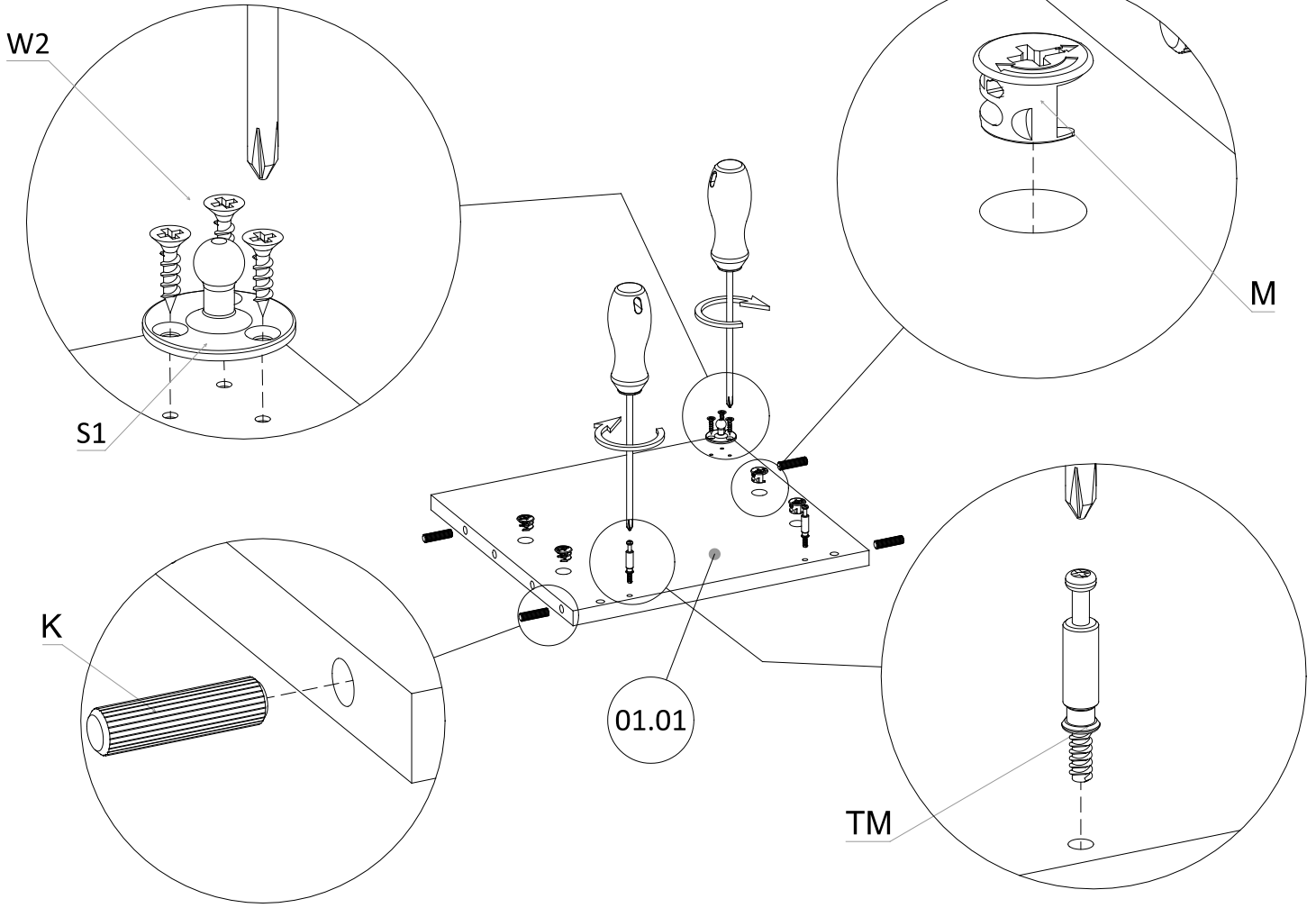
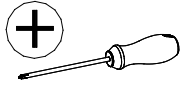
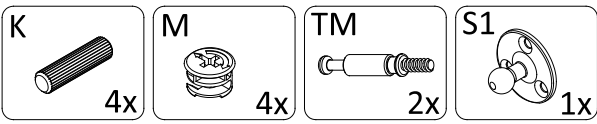
v.1

01.01	311,0	324,0	16,0	1	1/1
01.02	311,0	324,0	16,0	1	1/1
03.11	897,0	367,0	16,0	1	1/1
07.71	361,0	40,0	30,0	4	1/1
08.11	989,0	420,0	25,0	1	1/1
13.11	897,0	288,0	16,0	1	1/1
13.12	897,0	311,0	16,0	1	1/1

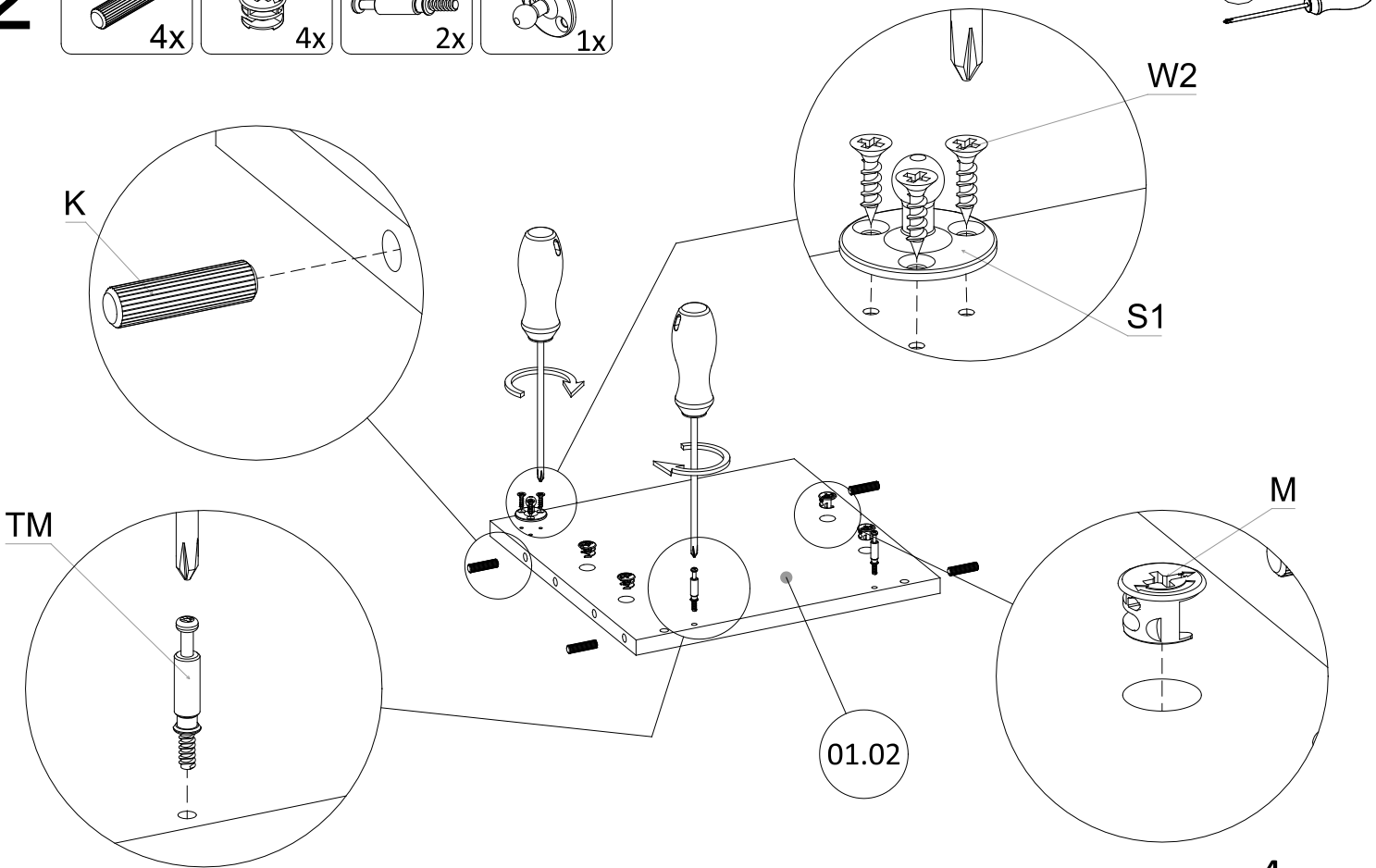
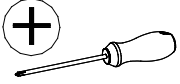
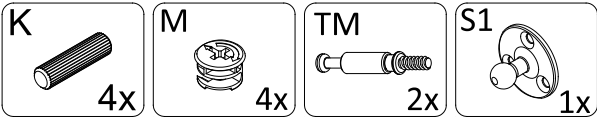




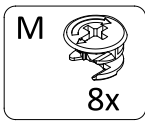
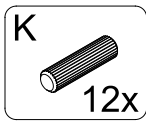
1



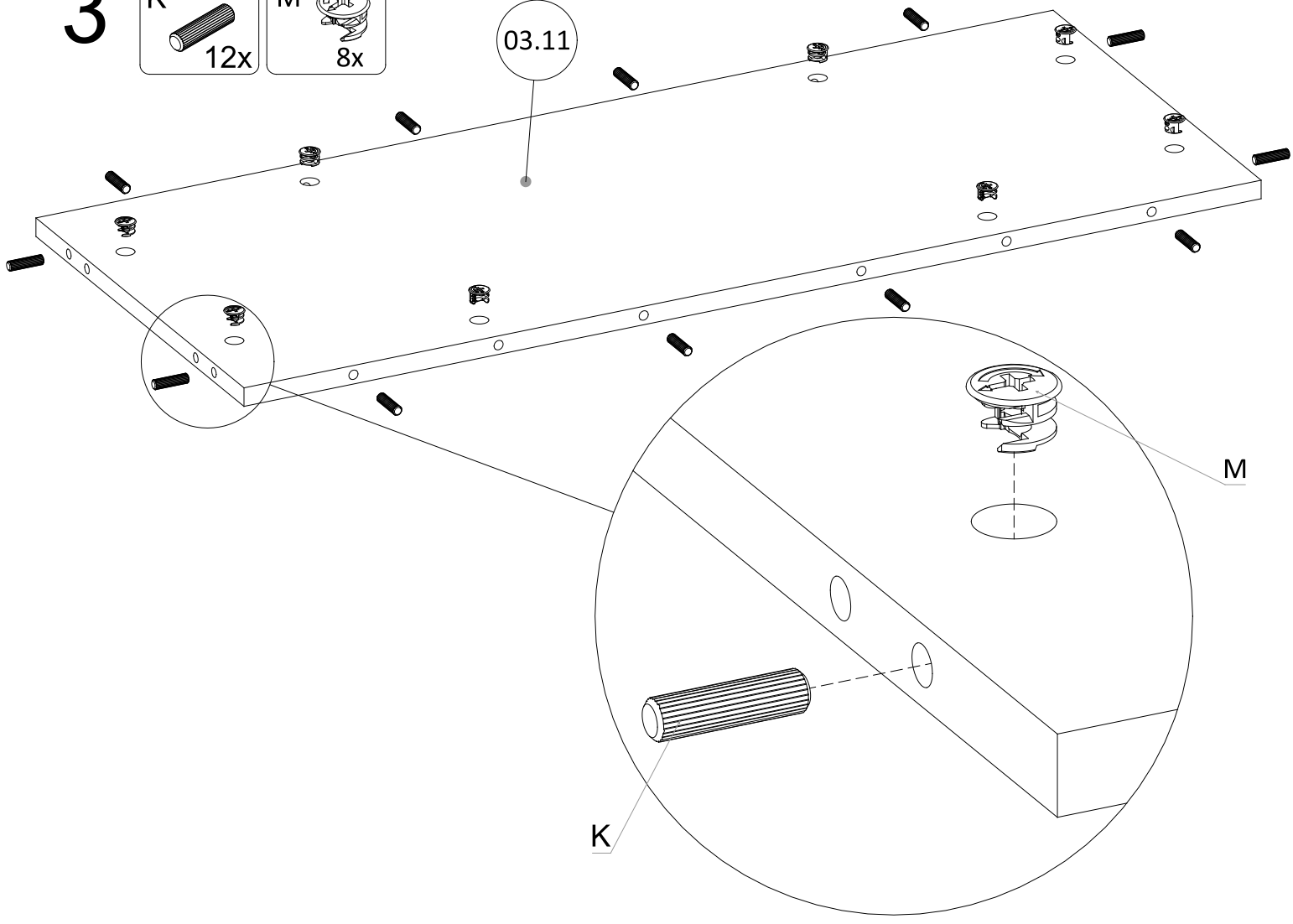
2



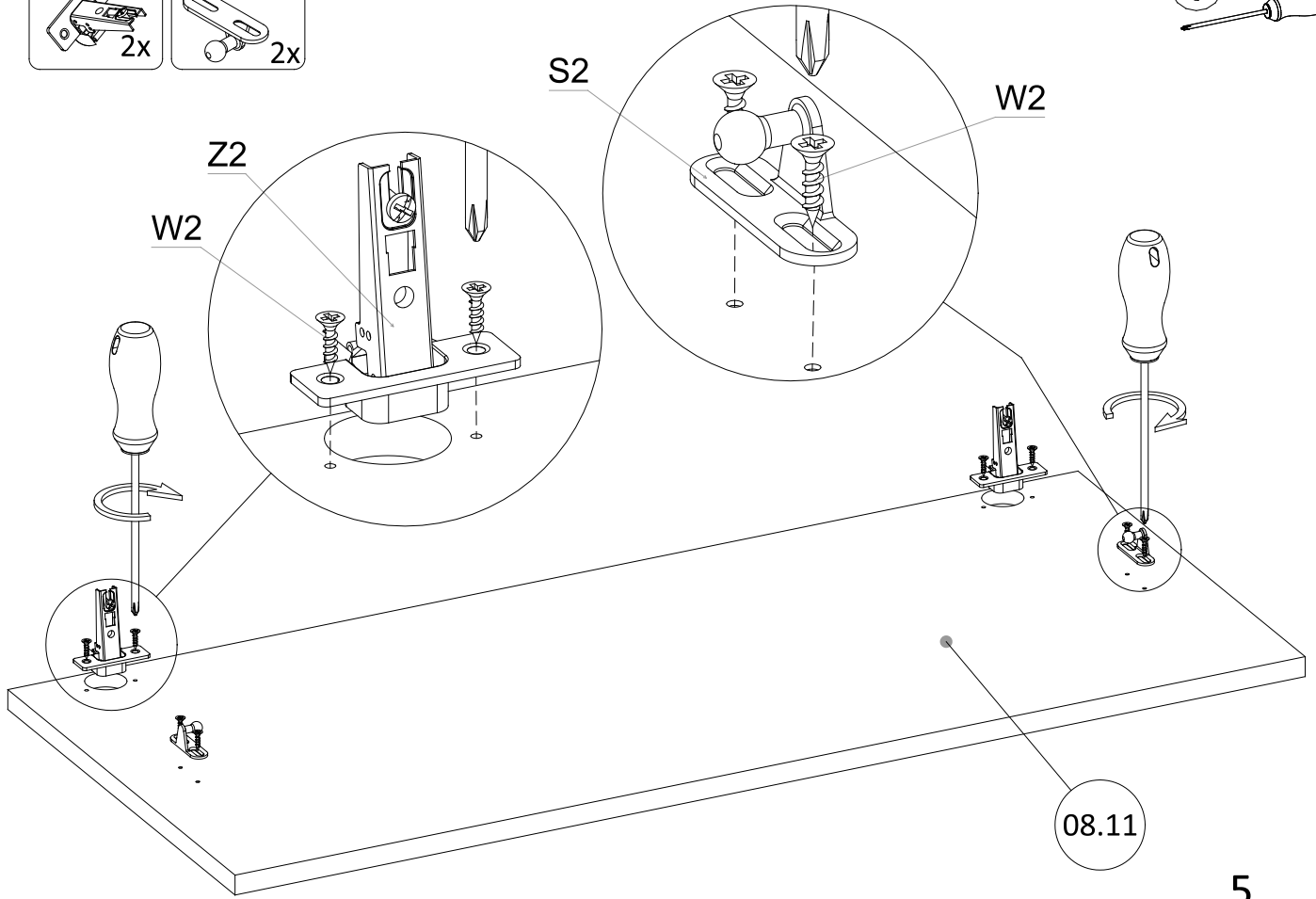
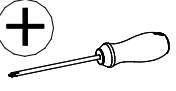
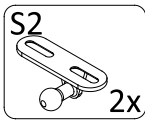
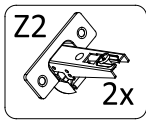
3



03.11



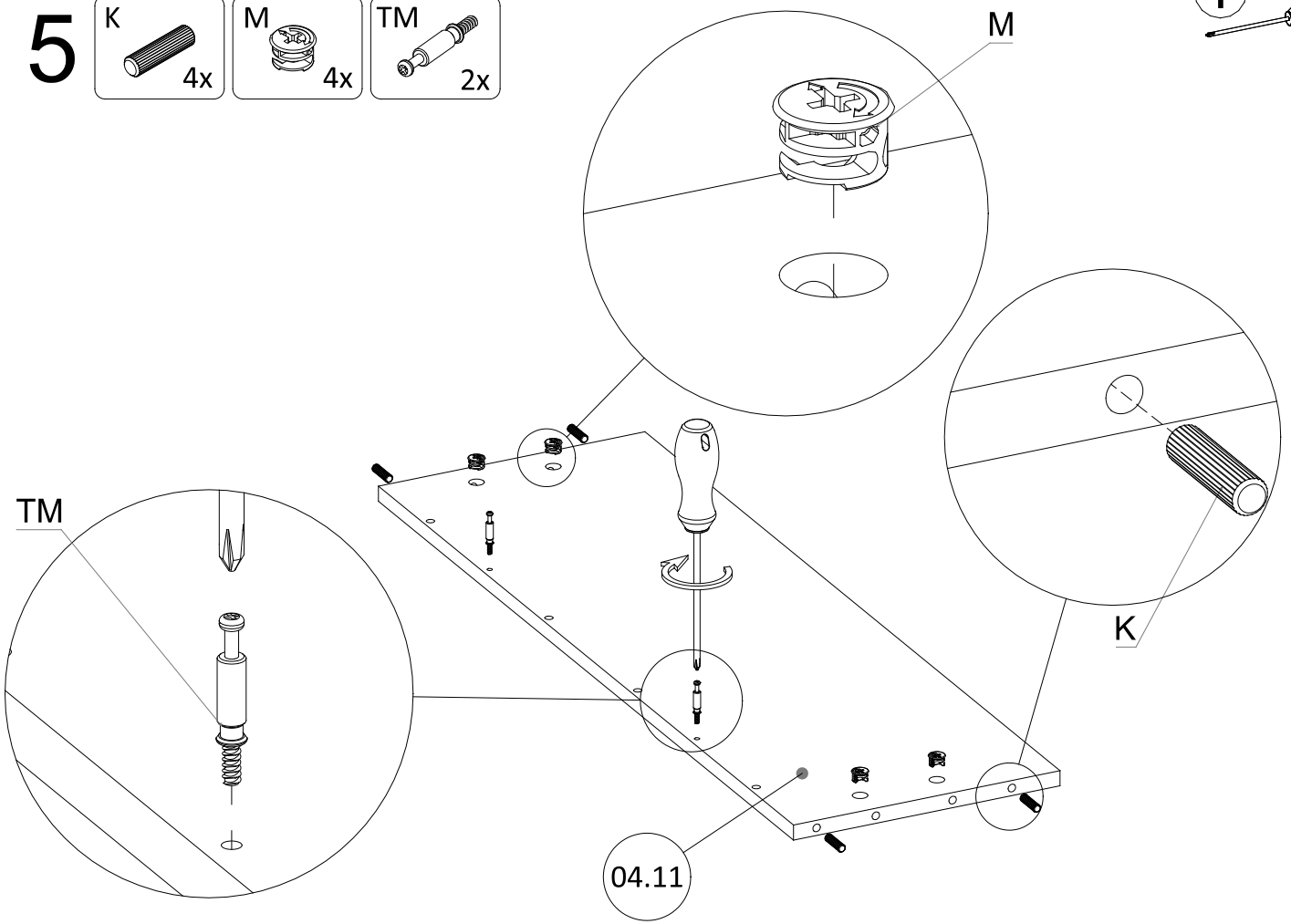
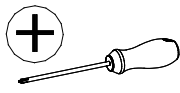
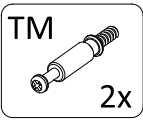
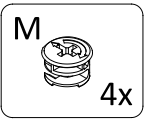
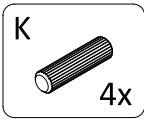
4



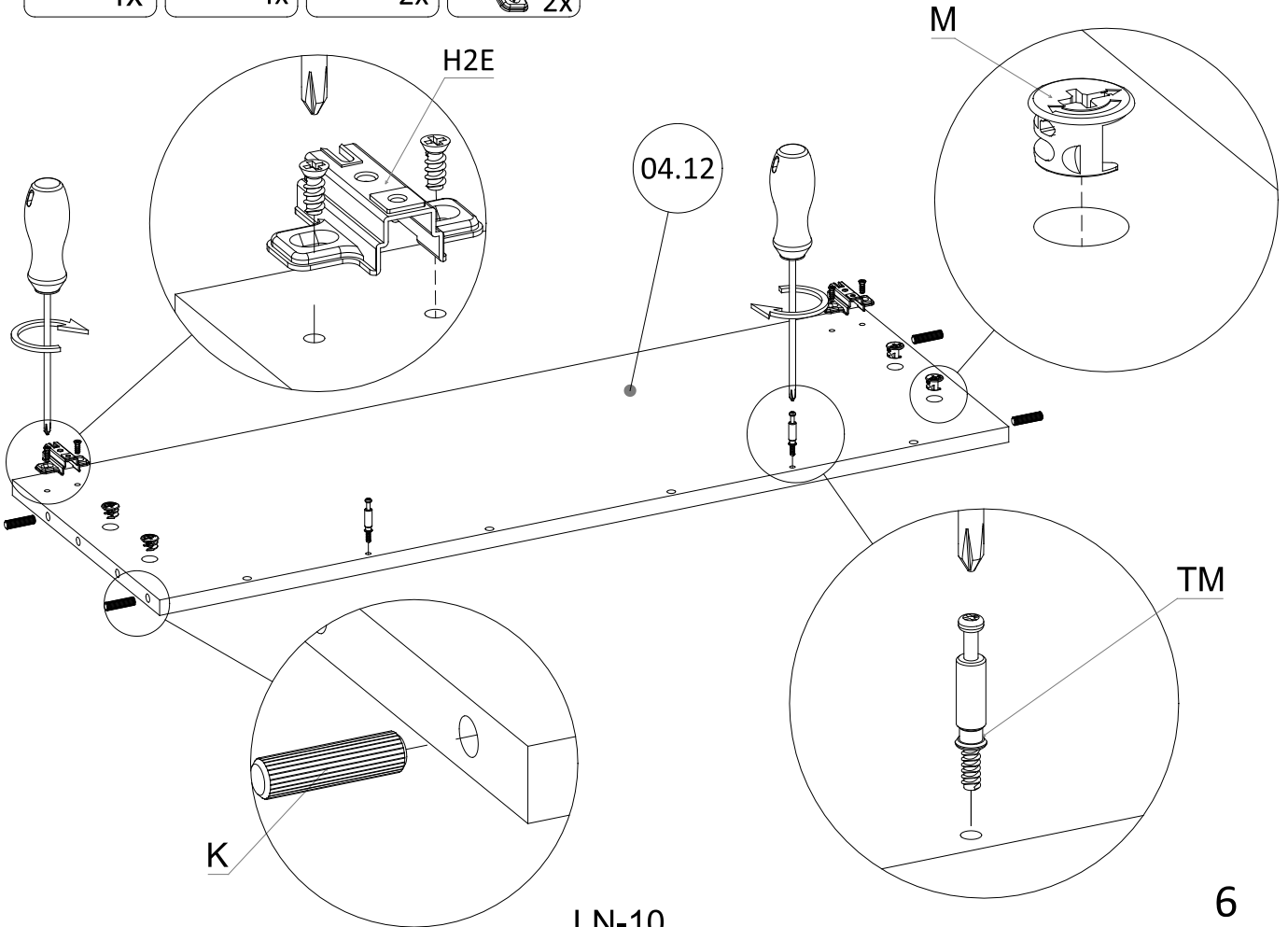
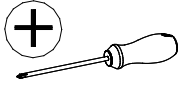
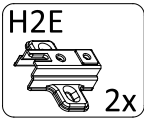
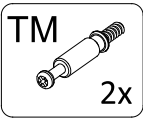
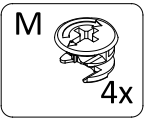
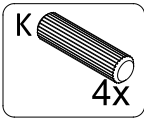
LN-10

5

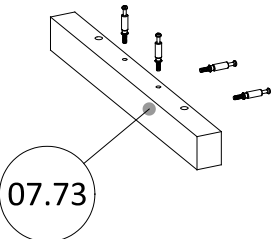
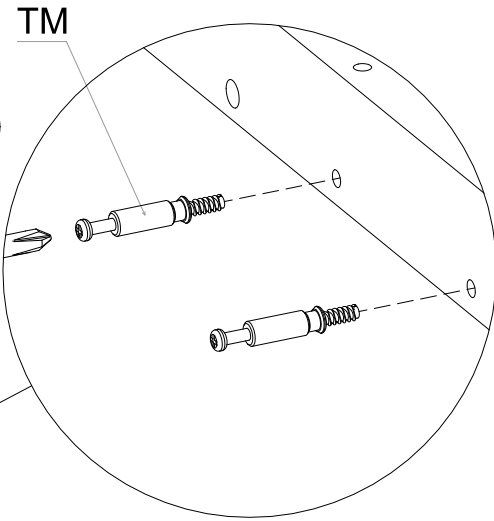
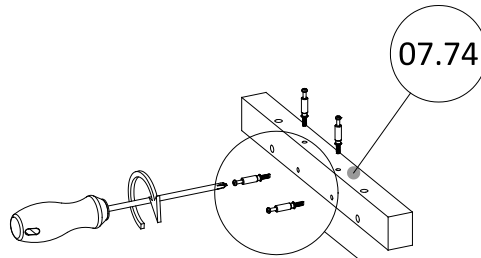
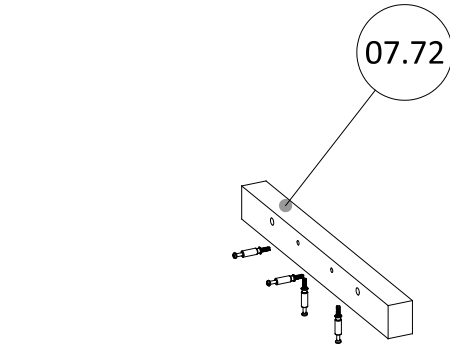
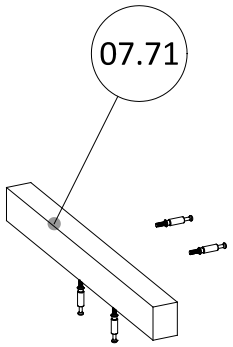
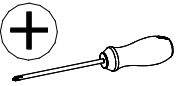
5



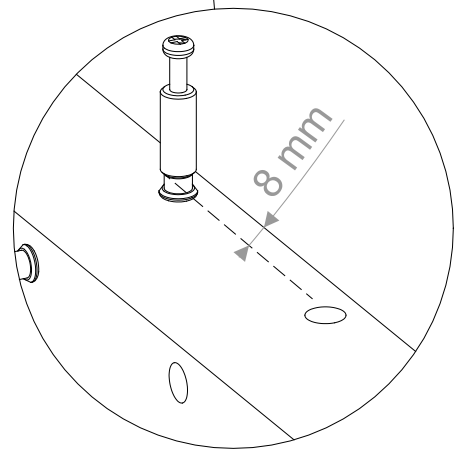
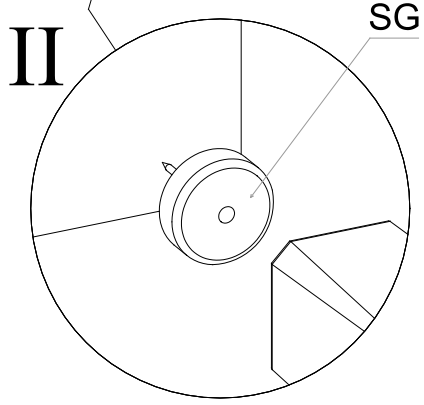
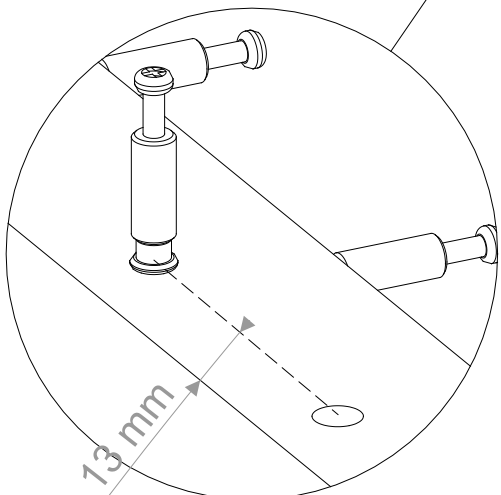
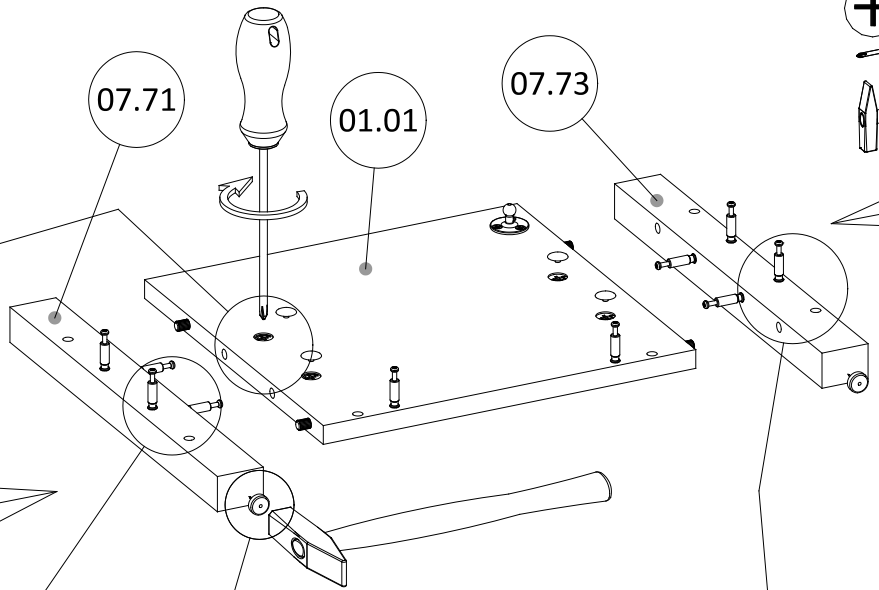
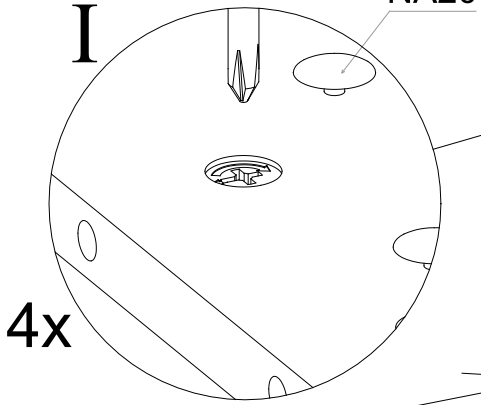
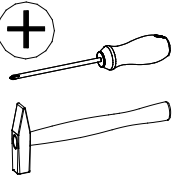
6



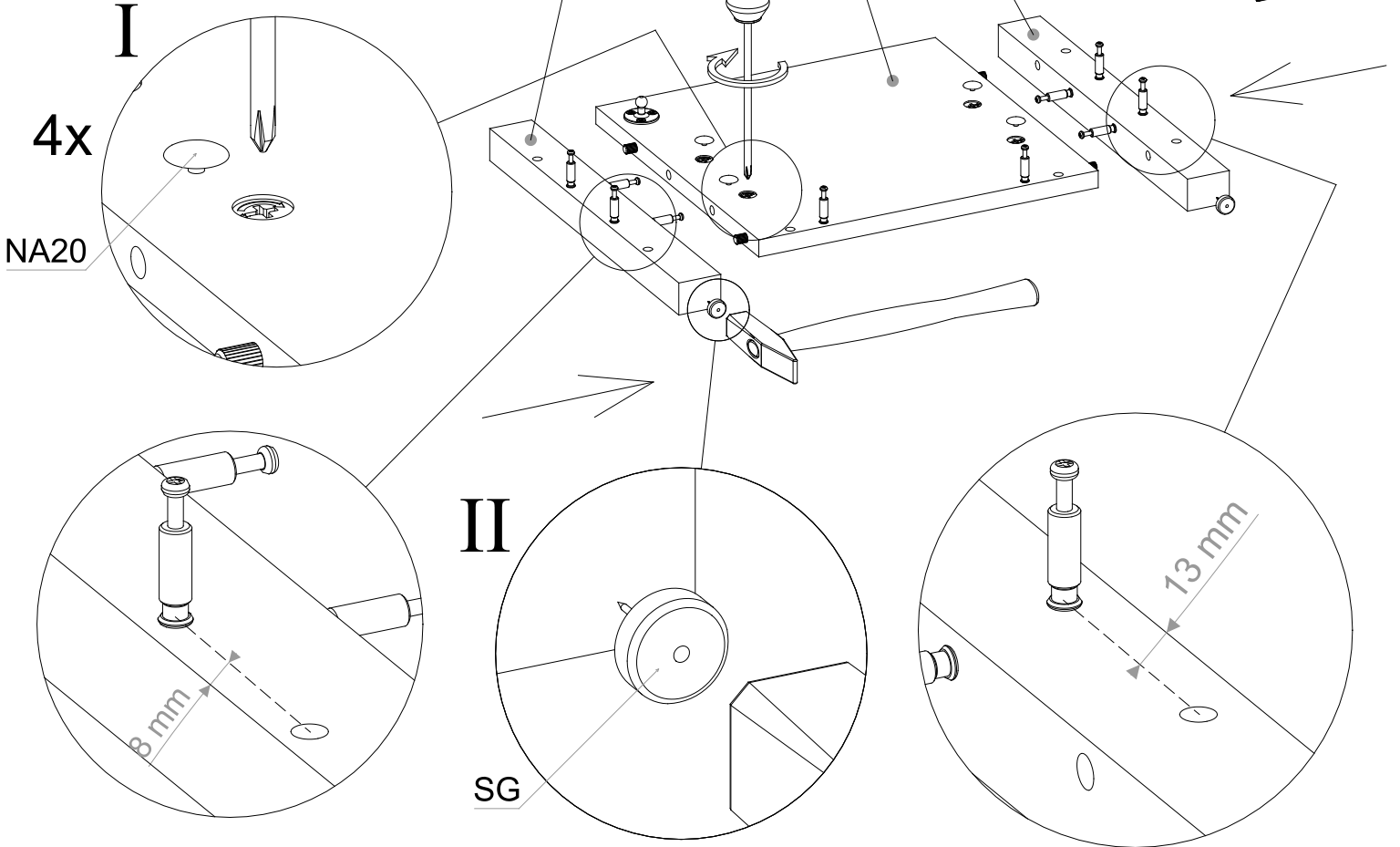
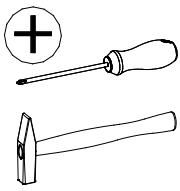
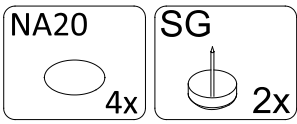
7 **TM**
4x4



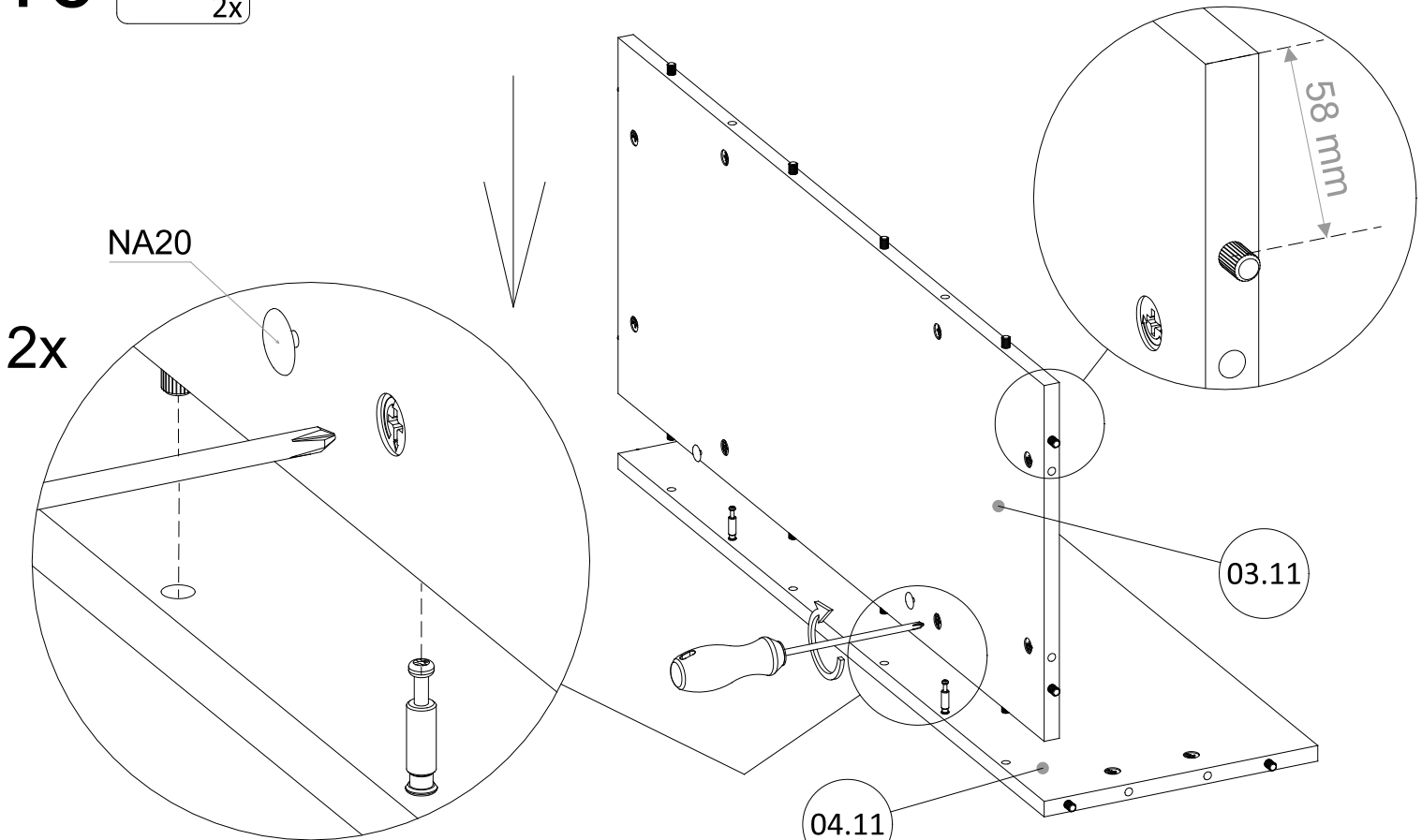
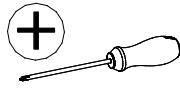
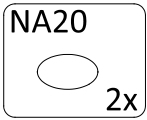
8 **NA20** 4x **SG** 2x



9

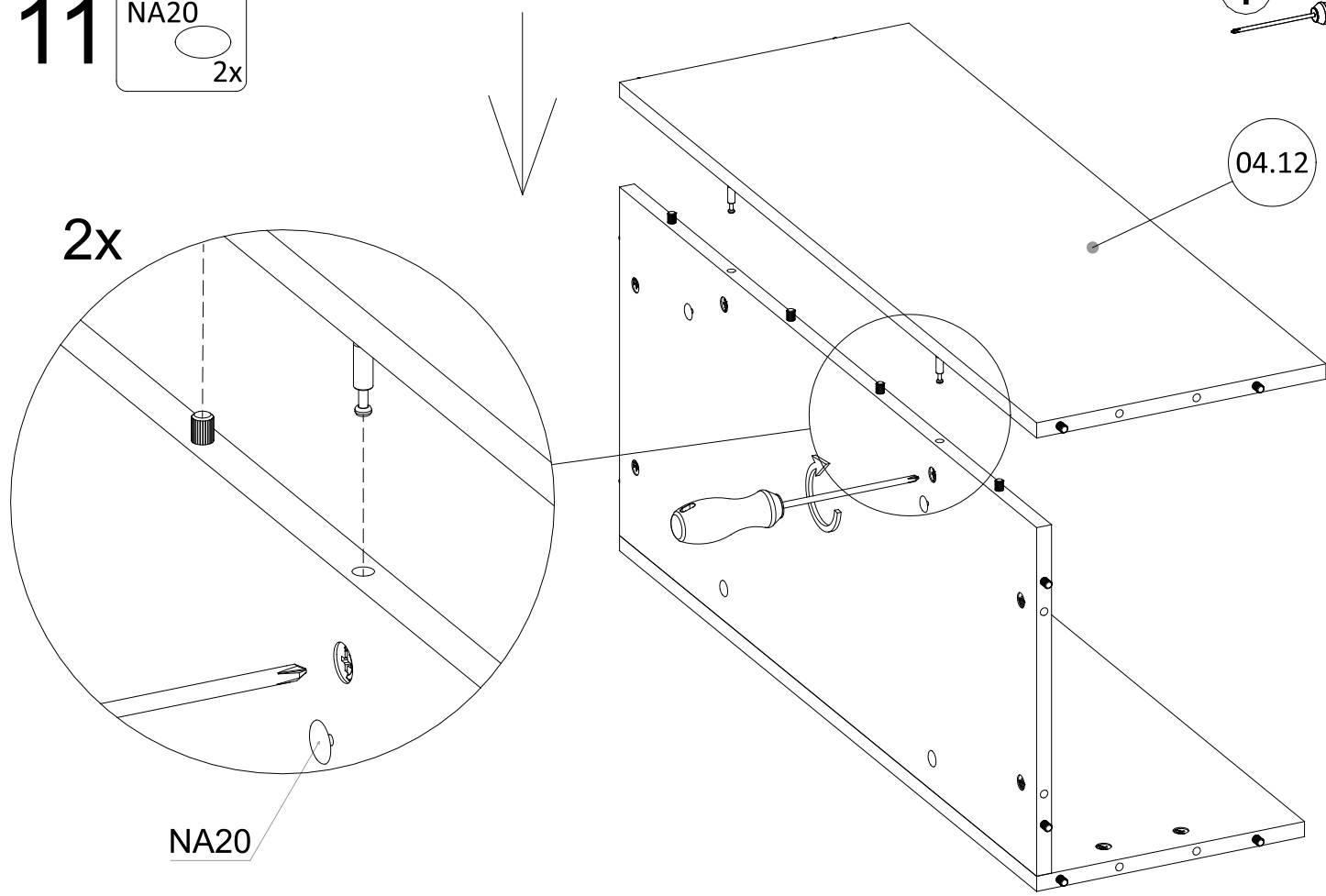
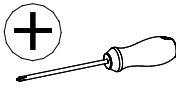


10



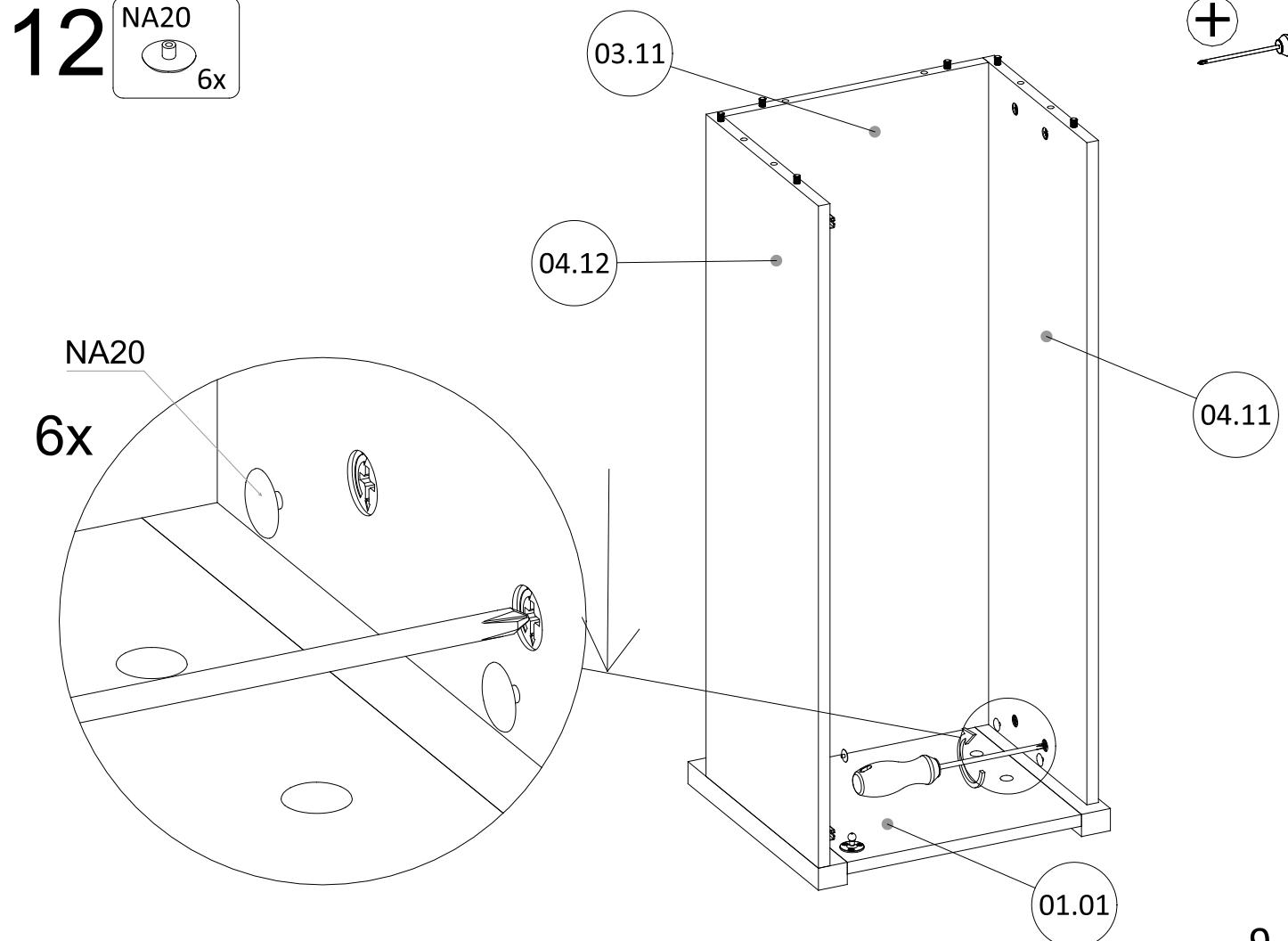
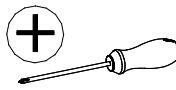
11

NA20
2x

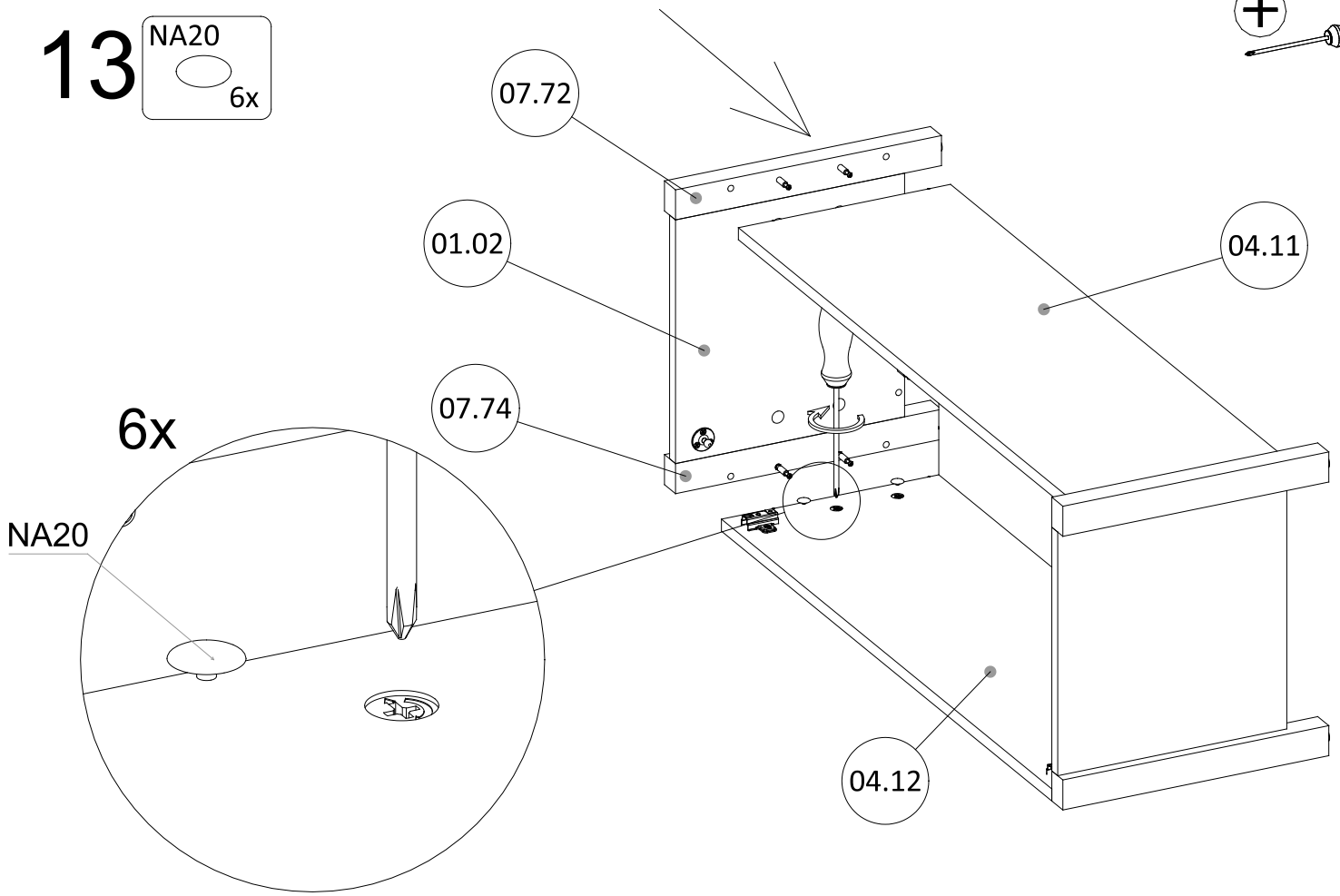
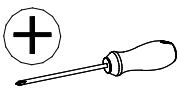
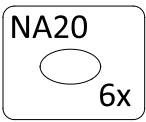


12

NA20
6x



13



14

