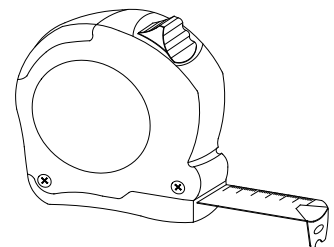
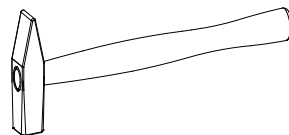
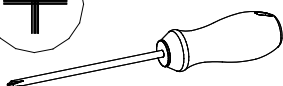
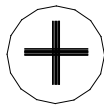
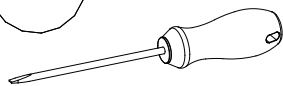
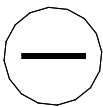
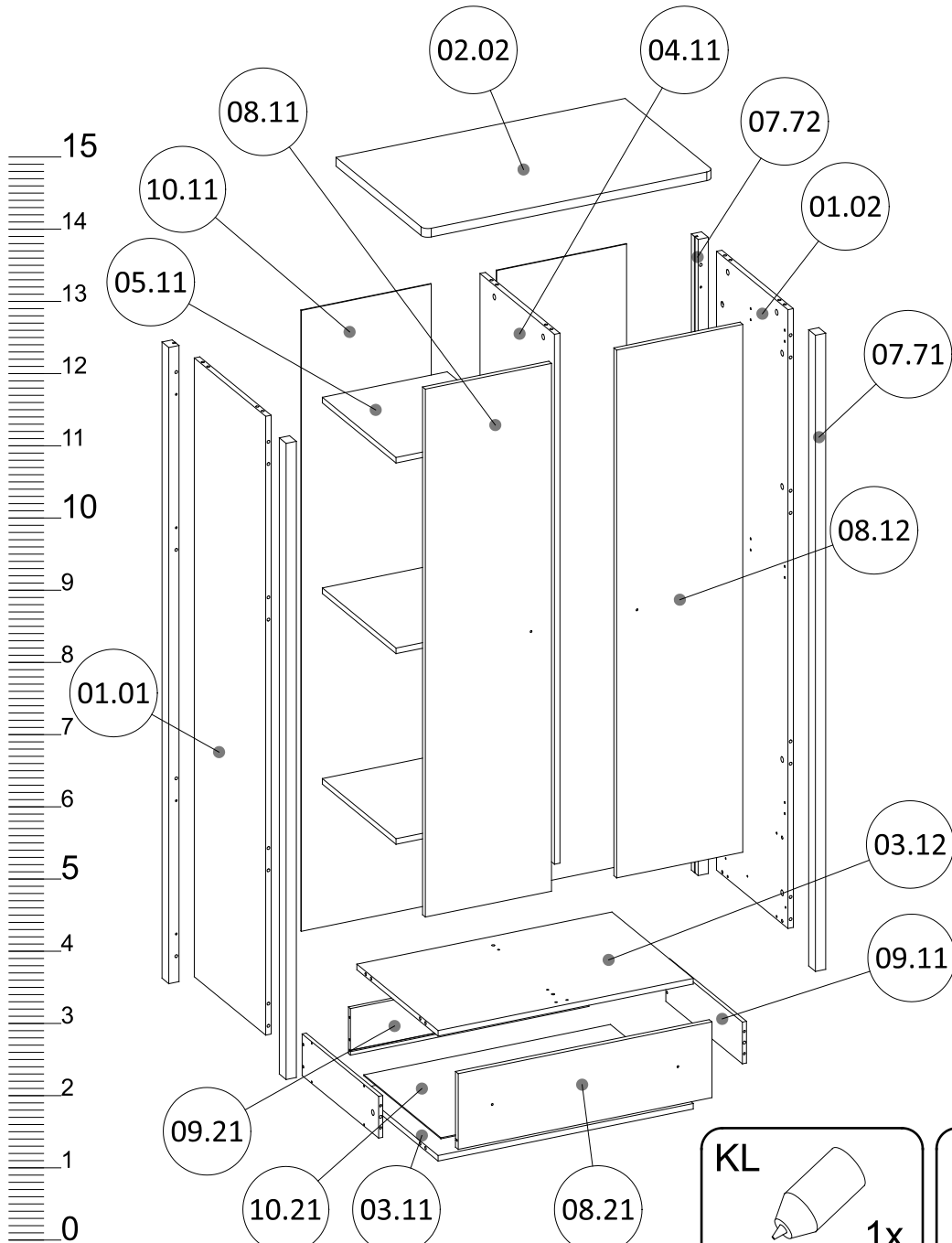
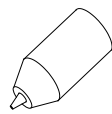
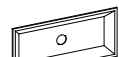
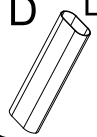
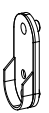
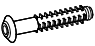
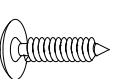
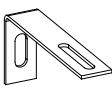
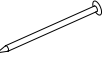
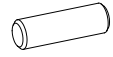
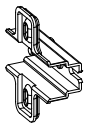
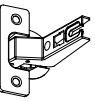
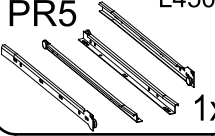



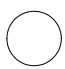
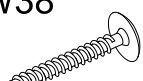
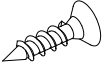
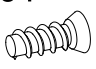
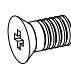
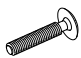
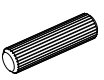
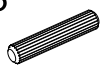


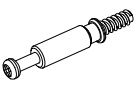
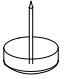


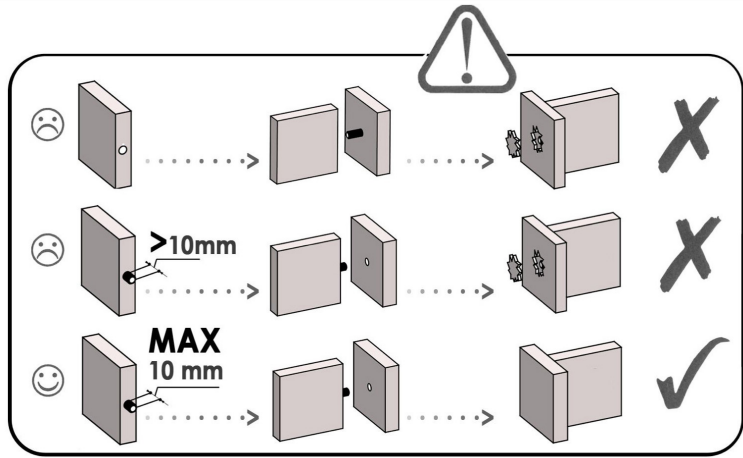
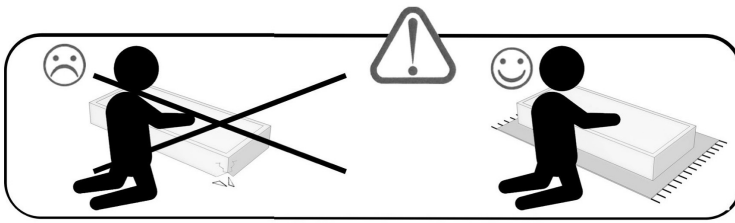
120 min



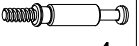






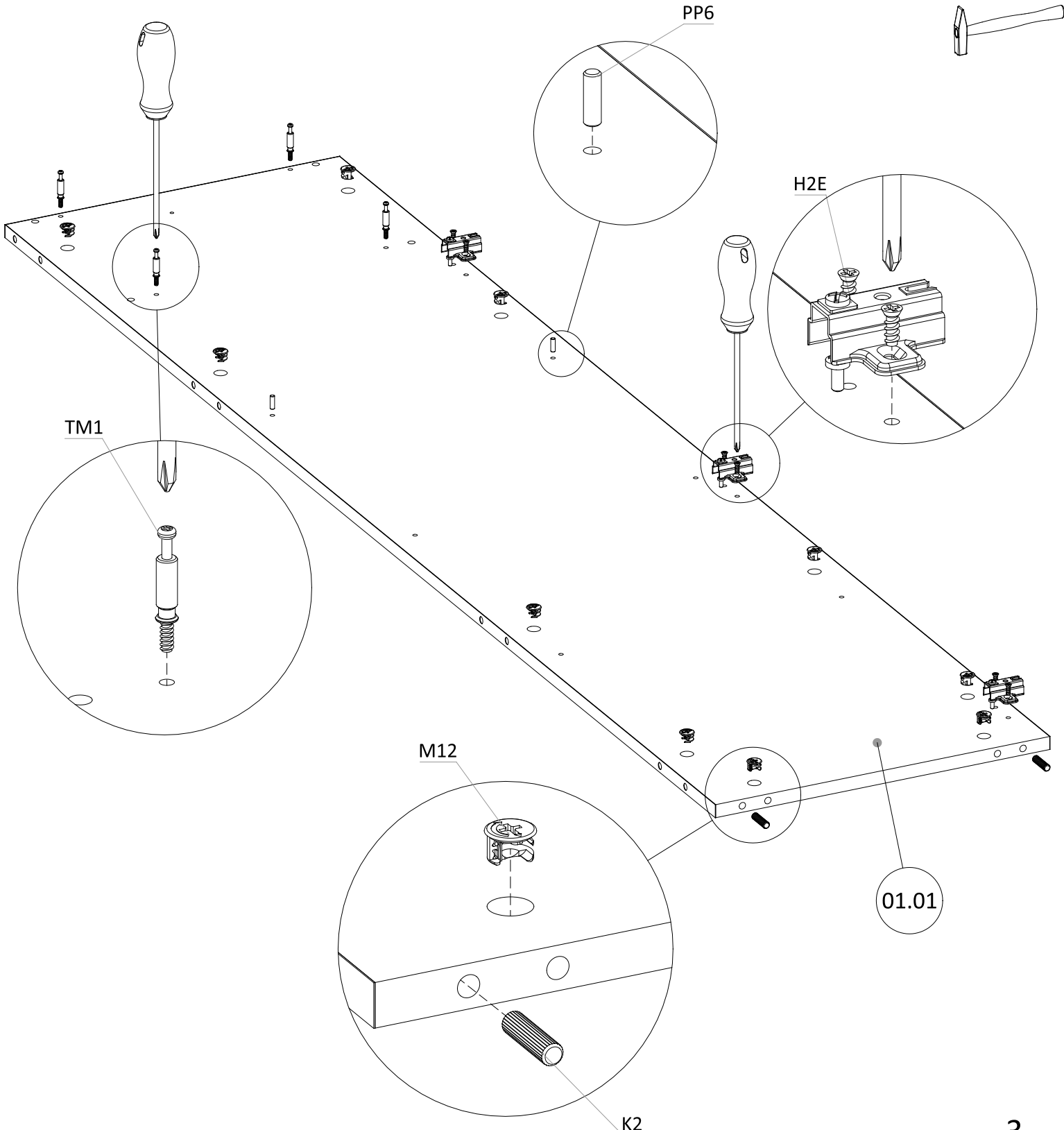
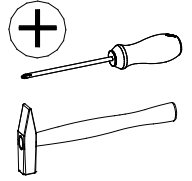
01.01	1782.0	420.0	1	1/2
01.02	1782.0	420.0	1	1/2
02.02	850.0	520.0	1	2/2
03.11	750.0	478.0	1	2/2
03.12	750.0	478.0	1	2/2
04.11	1526.0	438.0	1	1/2
05.11	367.0	433.0	3	2/2
07.71	1832.0	40.0	2	1/2
07.72	1832.0	40.0	2	1/2
08.11	1520.0	371.0	1	1/2
08.12	1520.0	371.0	1	1/2
08.21	746.0	218.0	1	2/2
09.11	450.0	120.0	2	2/2
09.21	701.0	134.0	1	2/2
10.11	1788.0	382.0	2	1/2
10.21	725.0	453.0	1	2/2

KL  1x	PG  13x	D L=359mm  2x
WDS  4x	KP 6x40  4x	W34 4x16  1x
KA  1x	G2 2x20  25x	PP6 Ø5  14x
H2E  6x	Z2  6x	PR5 L450  1x
TK  14x	U2 Ø26  2x	U1 Ø45  2x
NA20 318 Ø20  34x	W38 4x30  2x	W7 4x13  16x
WE61 5x13  6x	WE66 5x9  4x	S42 M4x25  2x
K2 8x30  34x	K3 6x30  4x	M12 Ø15x12  32x
M10 Ø15x10  2x	TM1  34x	SG  4x

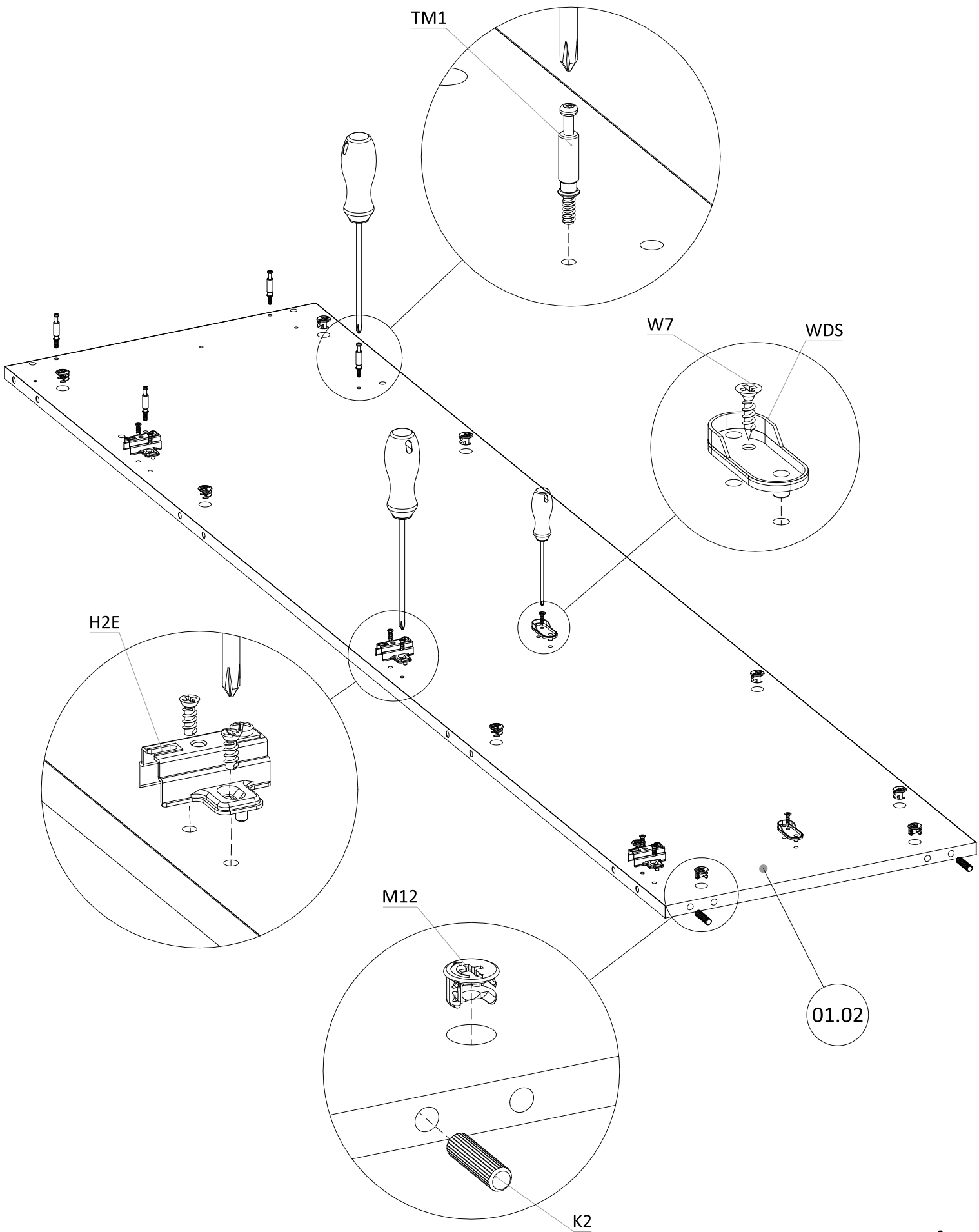
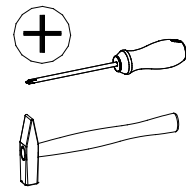
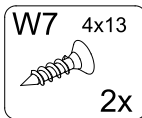
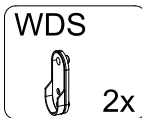
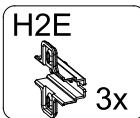
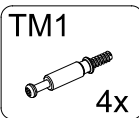
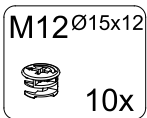
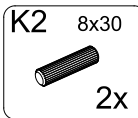


1

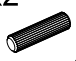



- | | | | |
|--|--|---|--|
| <p>TM1</p>  <p>4x</p> | <p>K2 8x30</p>  <p>2x</p> | <p>M12Ø15x12</p>  <p>10x</p> | <p>H2E</p>  <p>3x</p> |
| <p>PP6</p>  <p>6x</p> | | | |

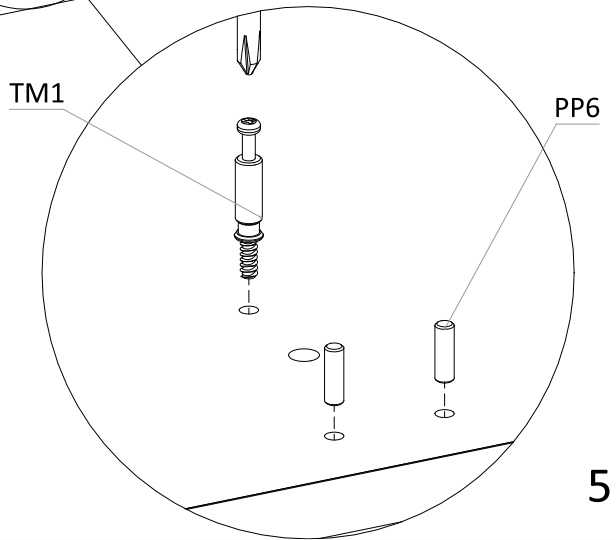
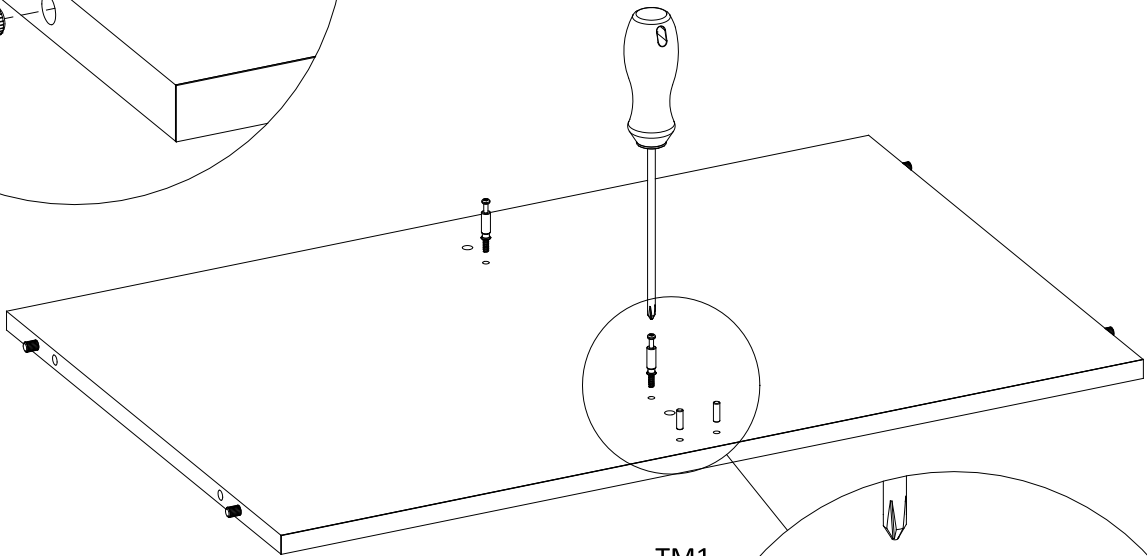
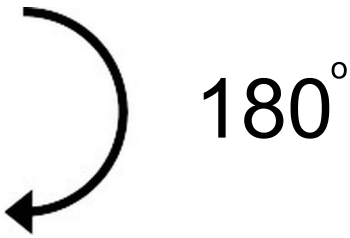
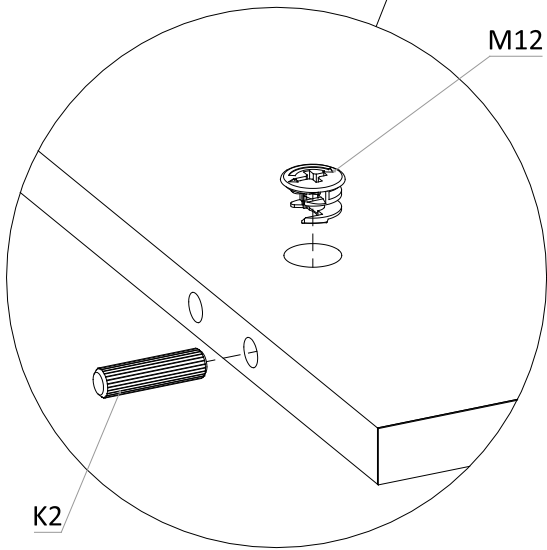
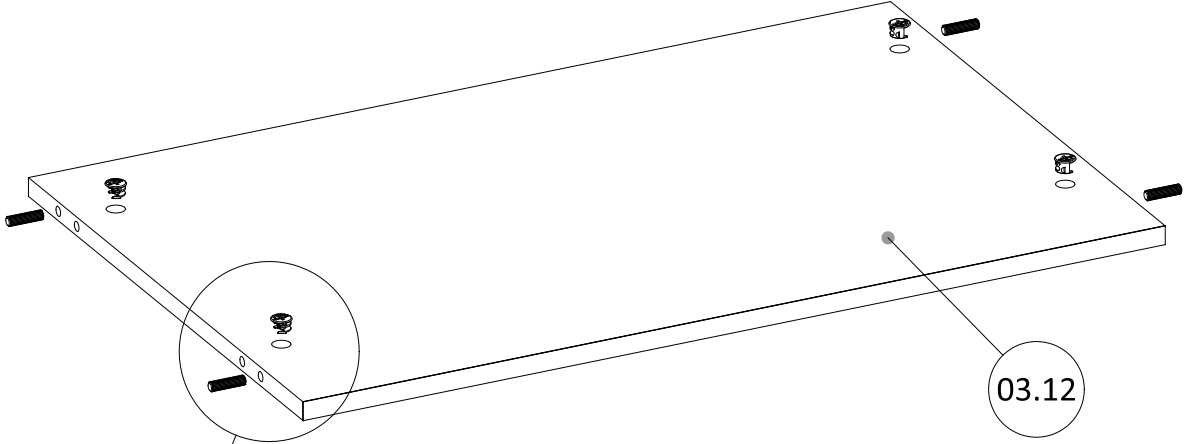
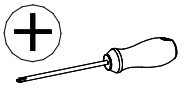


2



3

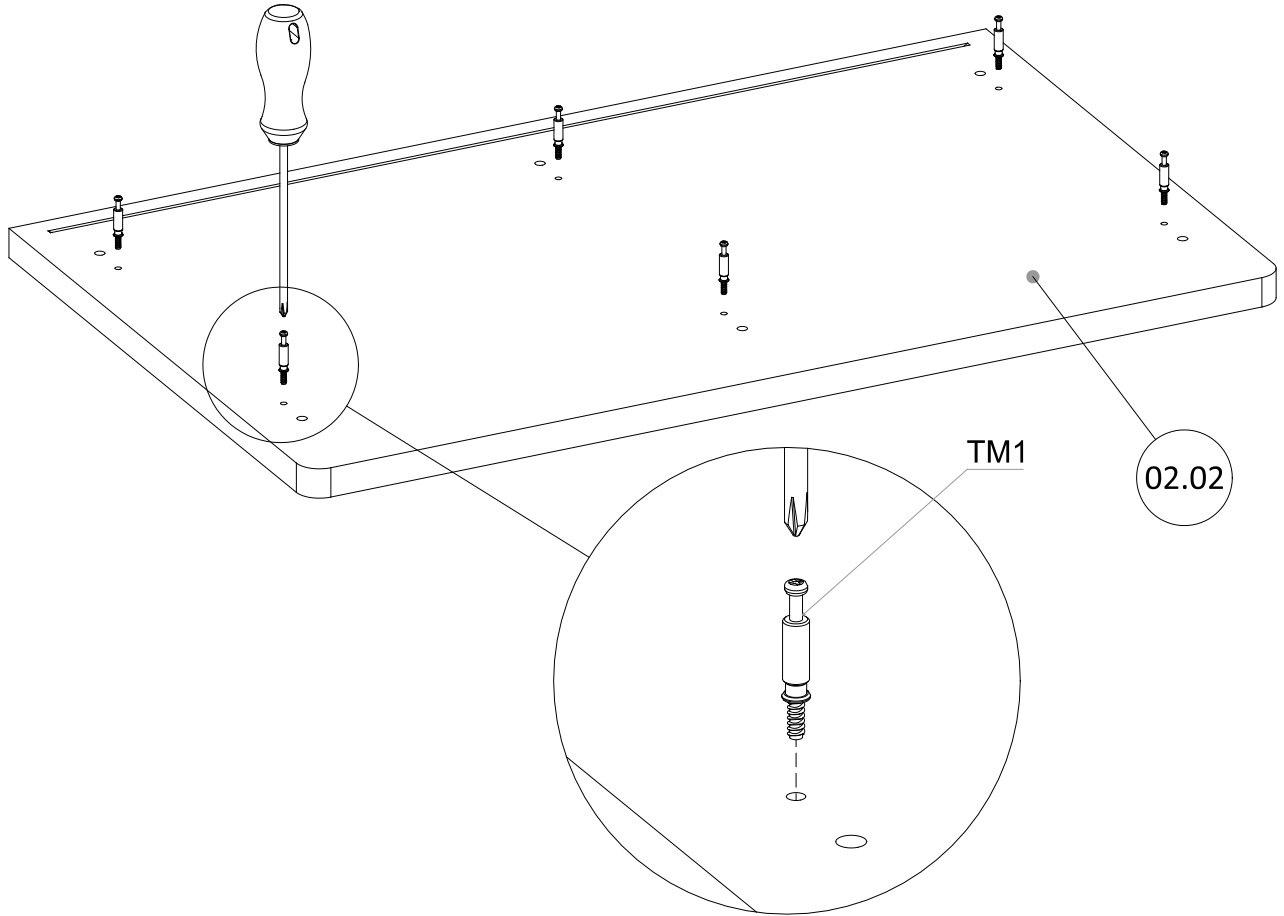
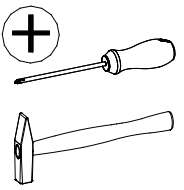
K2 8x30  4x	M12 Ø15x12  4x	TM1  2x	PP6  2x
--	---	--	---



5

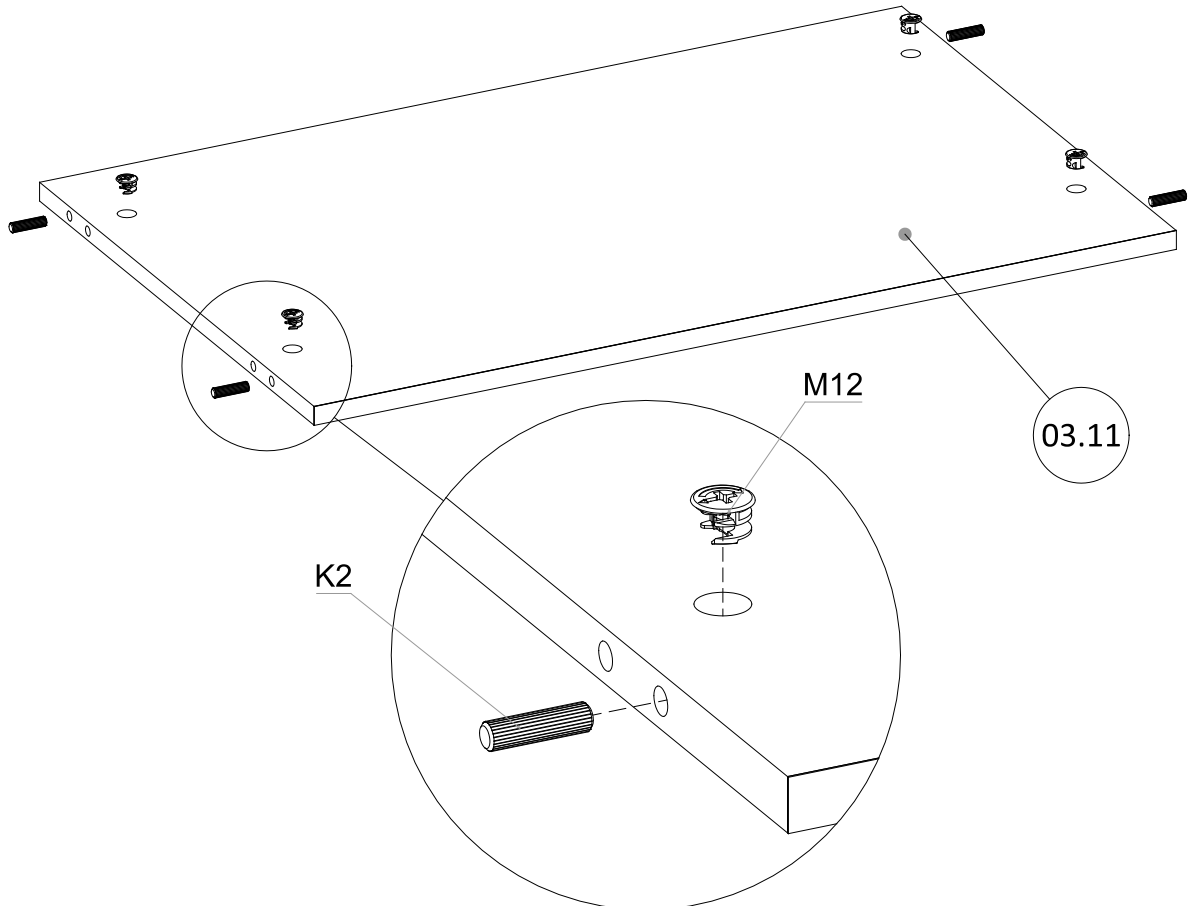
4

TM1
6x

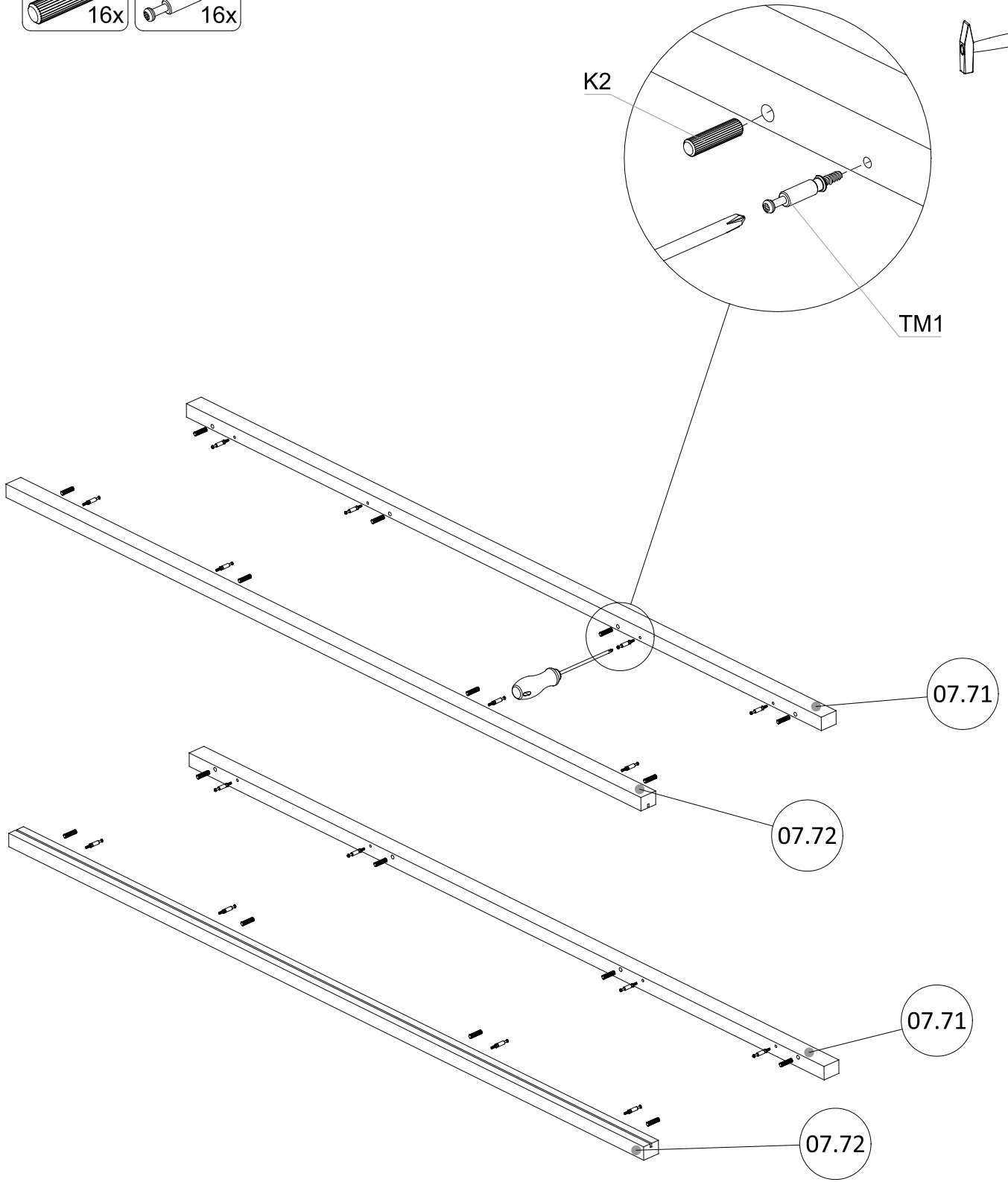
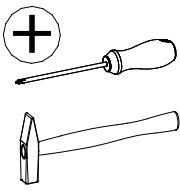
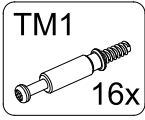
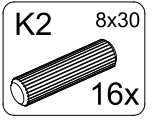


5

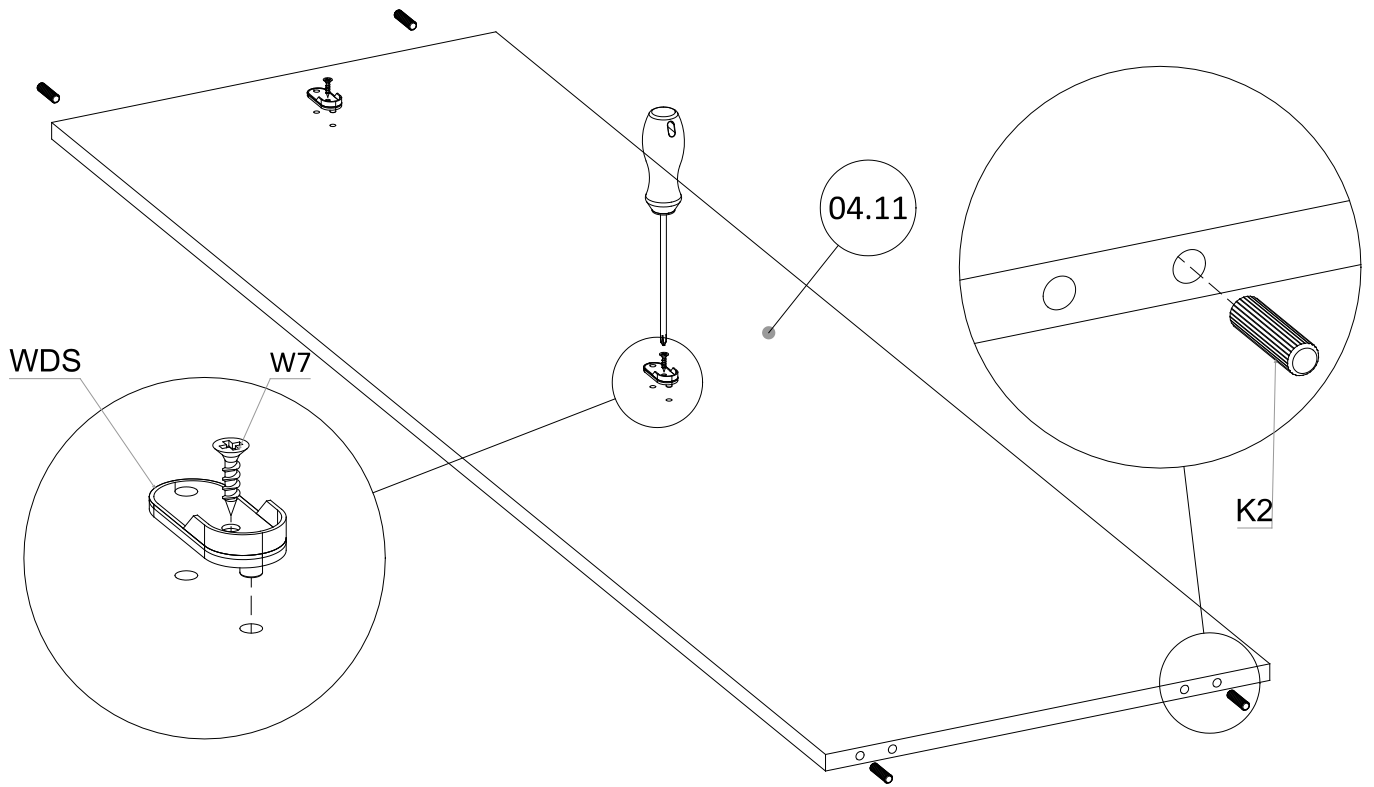
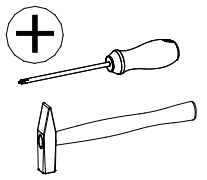
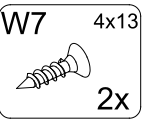
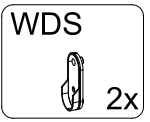
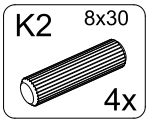
K2 8x30 4x
M12 Ø15x12 4x



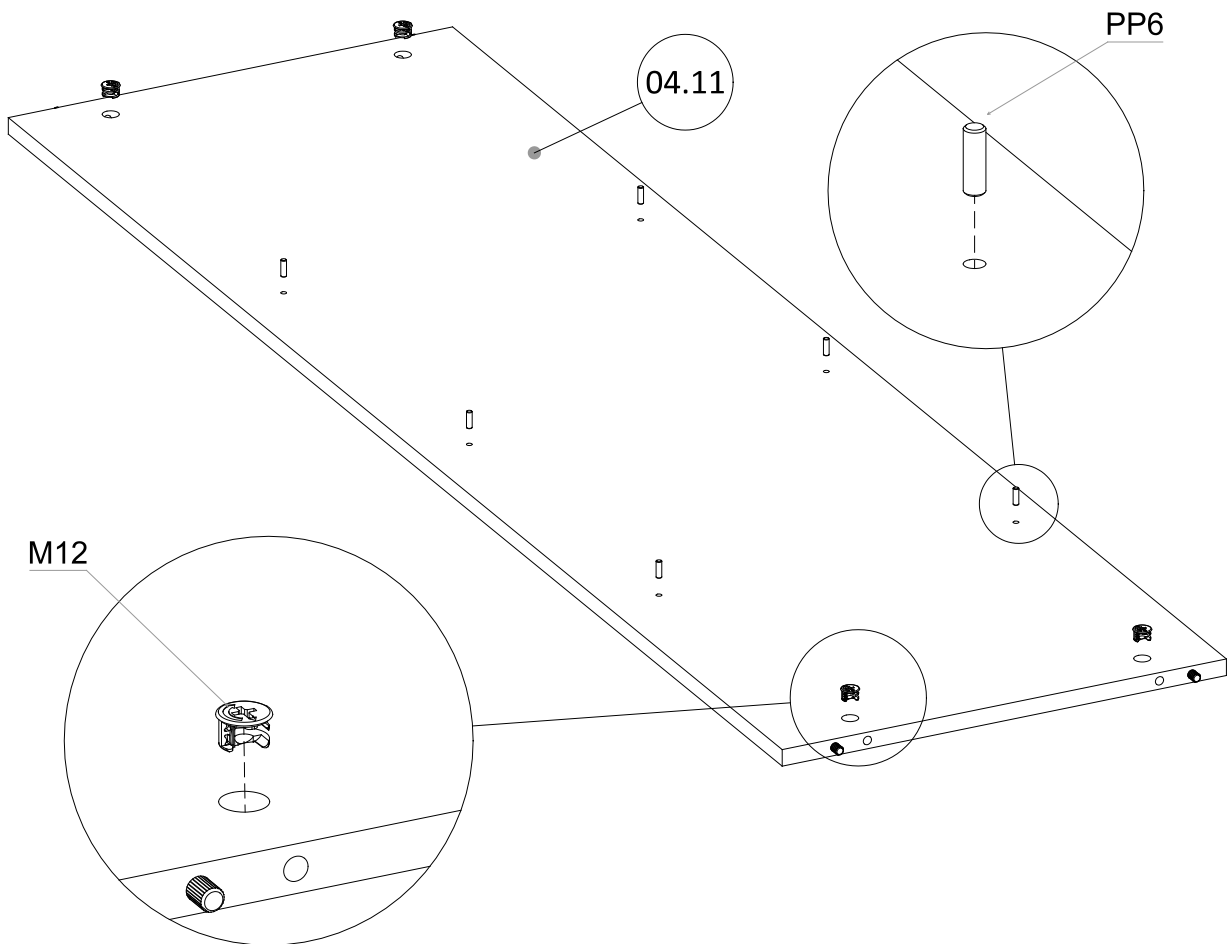
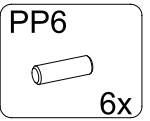
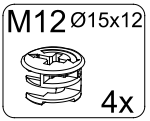
6



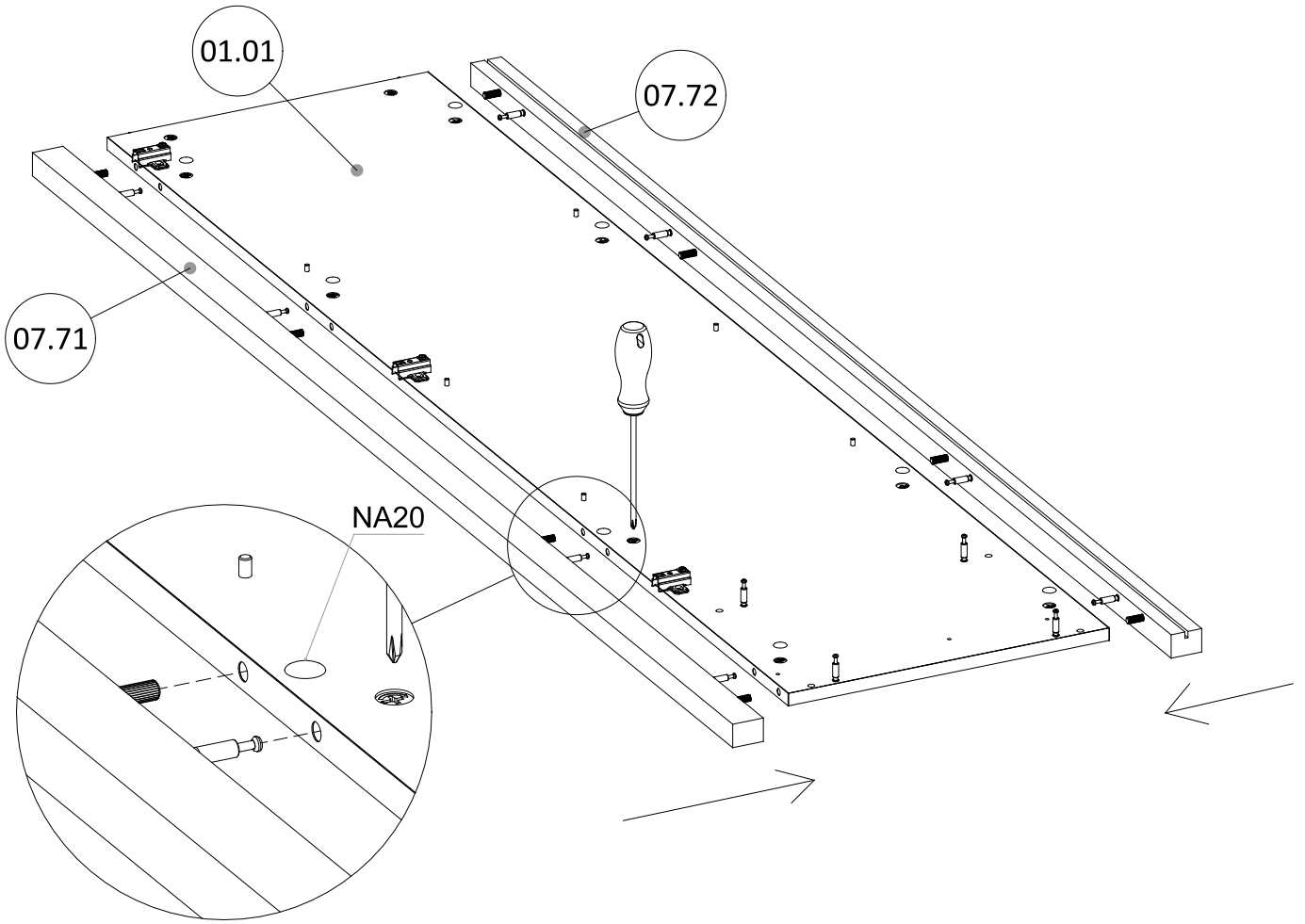
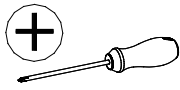
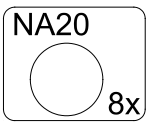
7



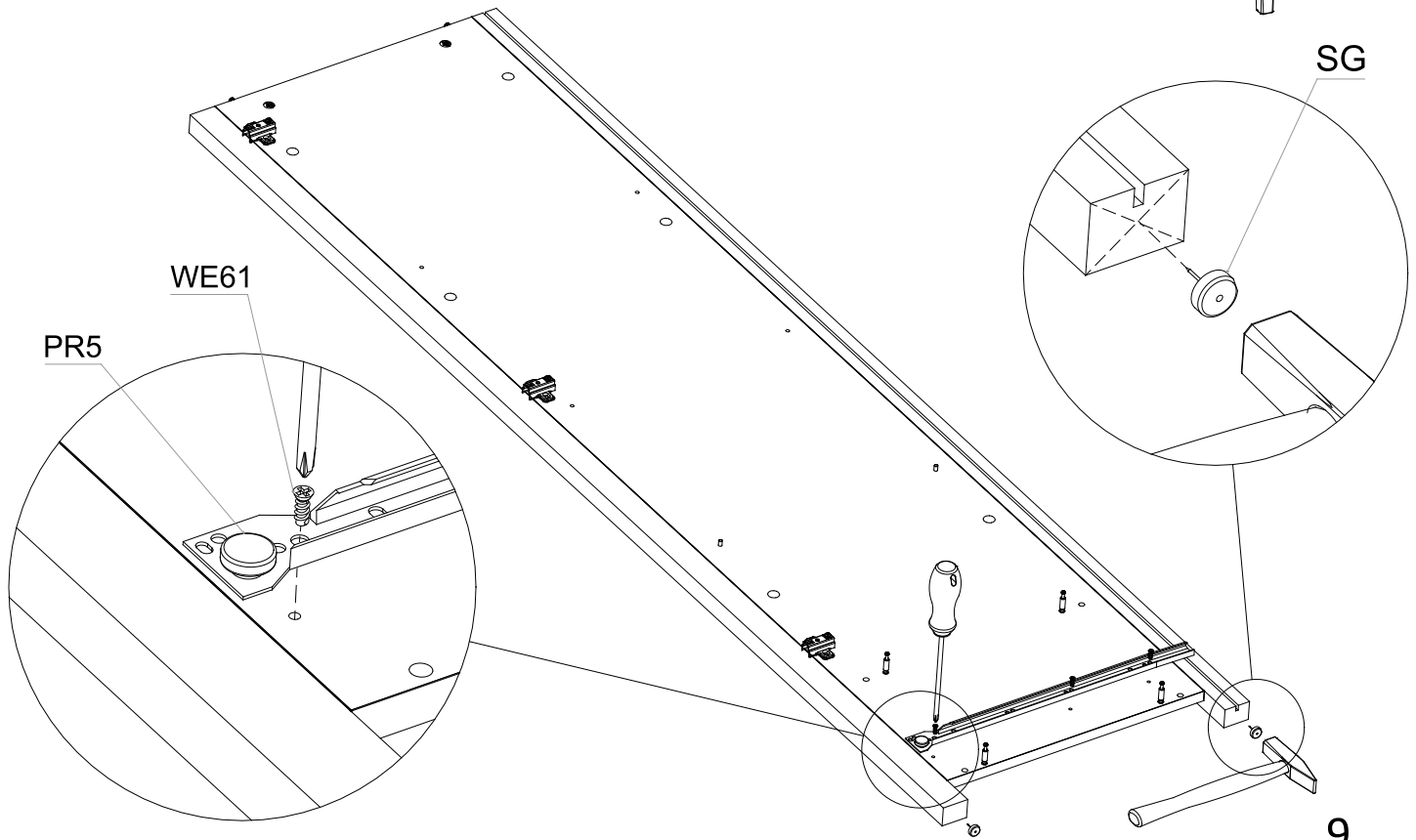
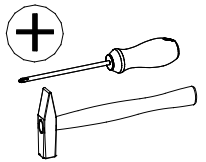
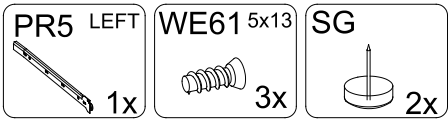
8



9

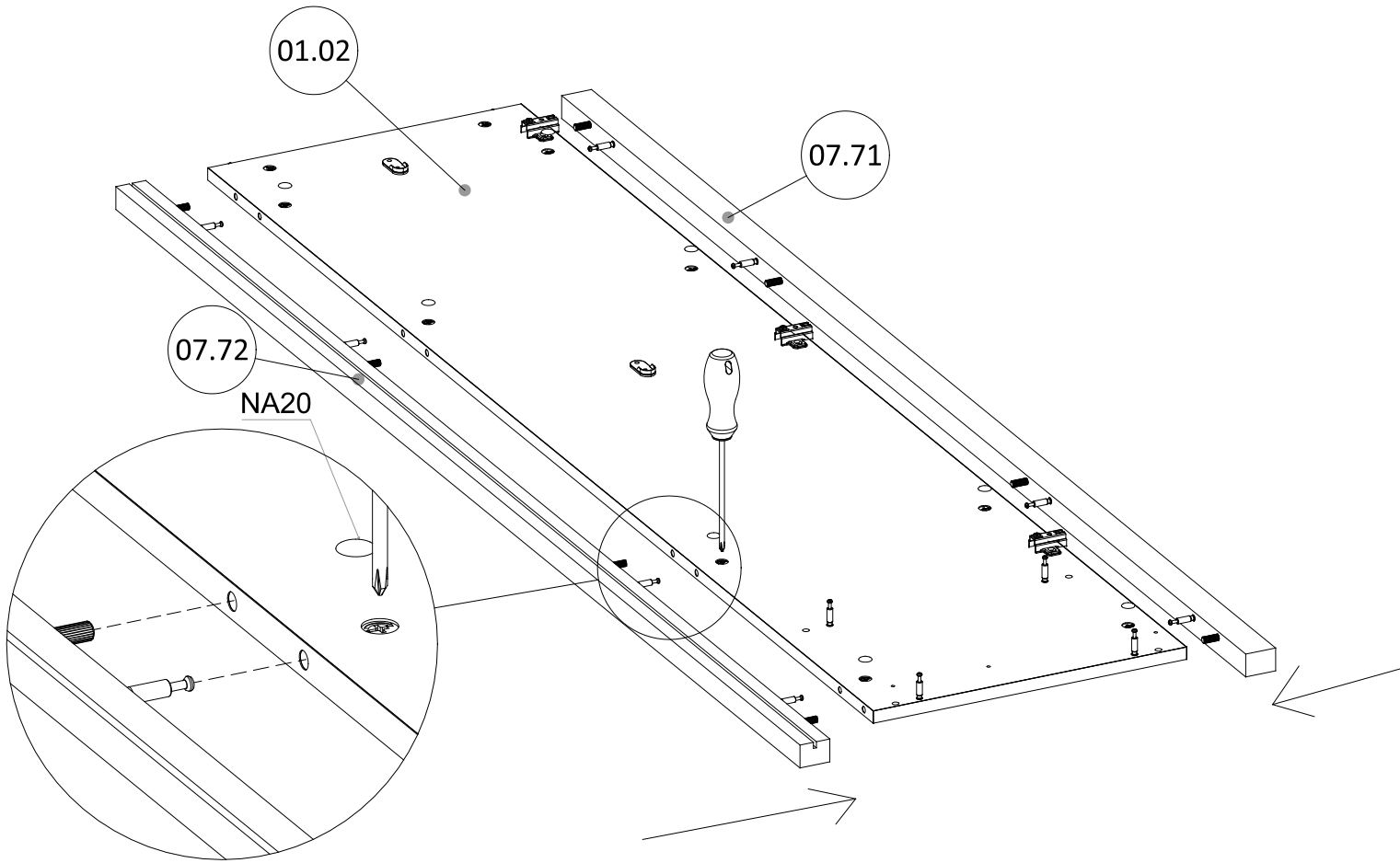
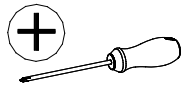
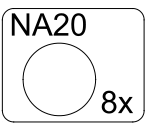


10

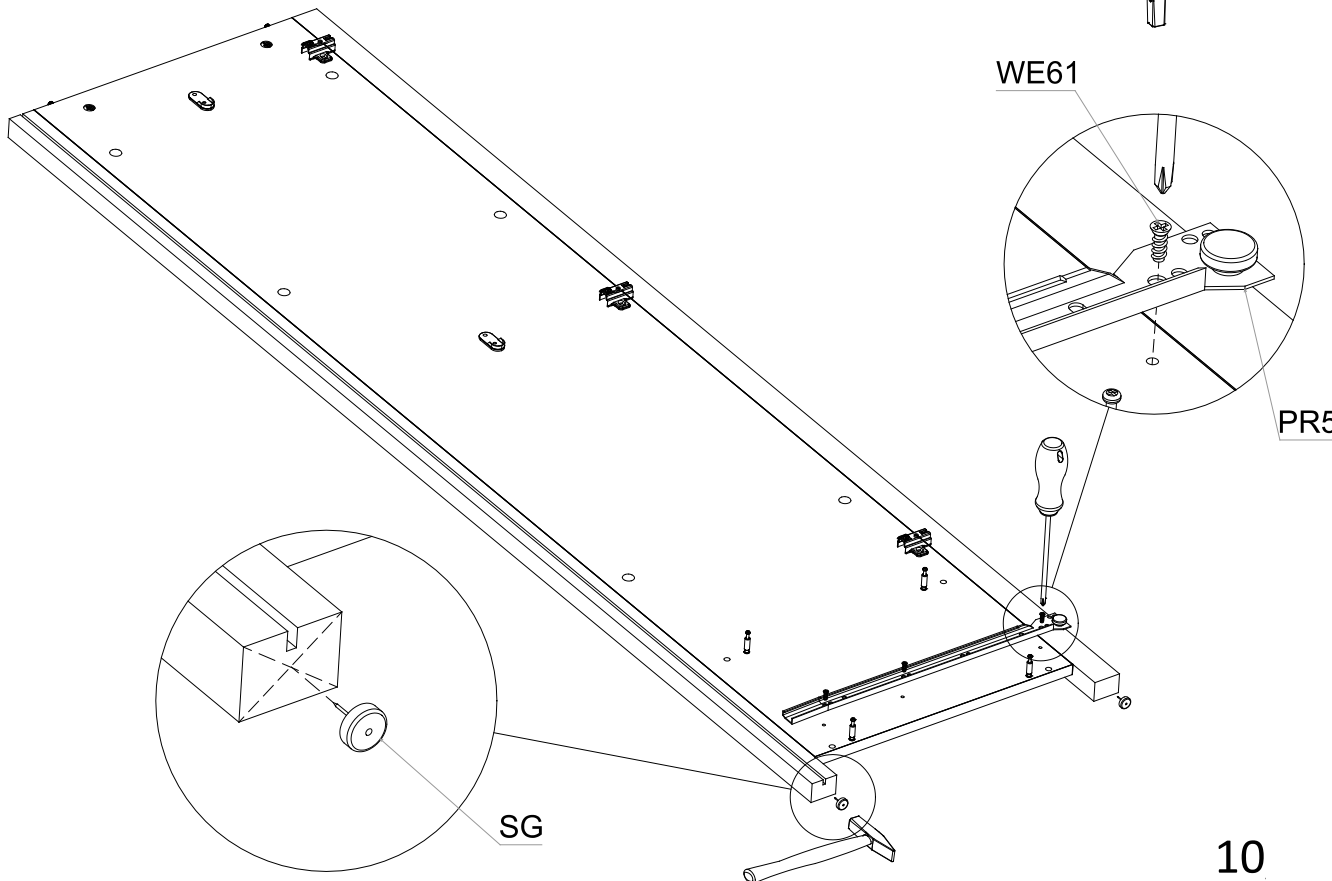
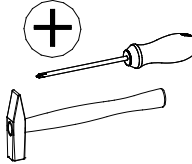
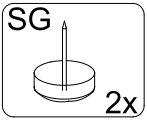
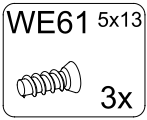
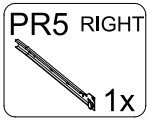


9

11



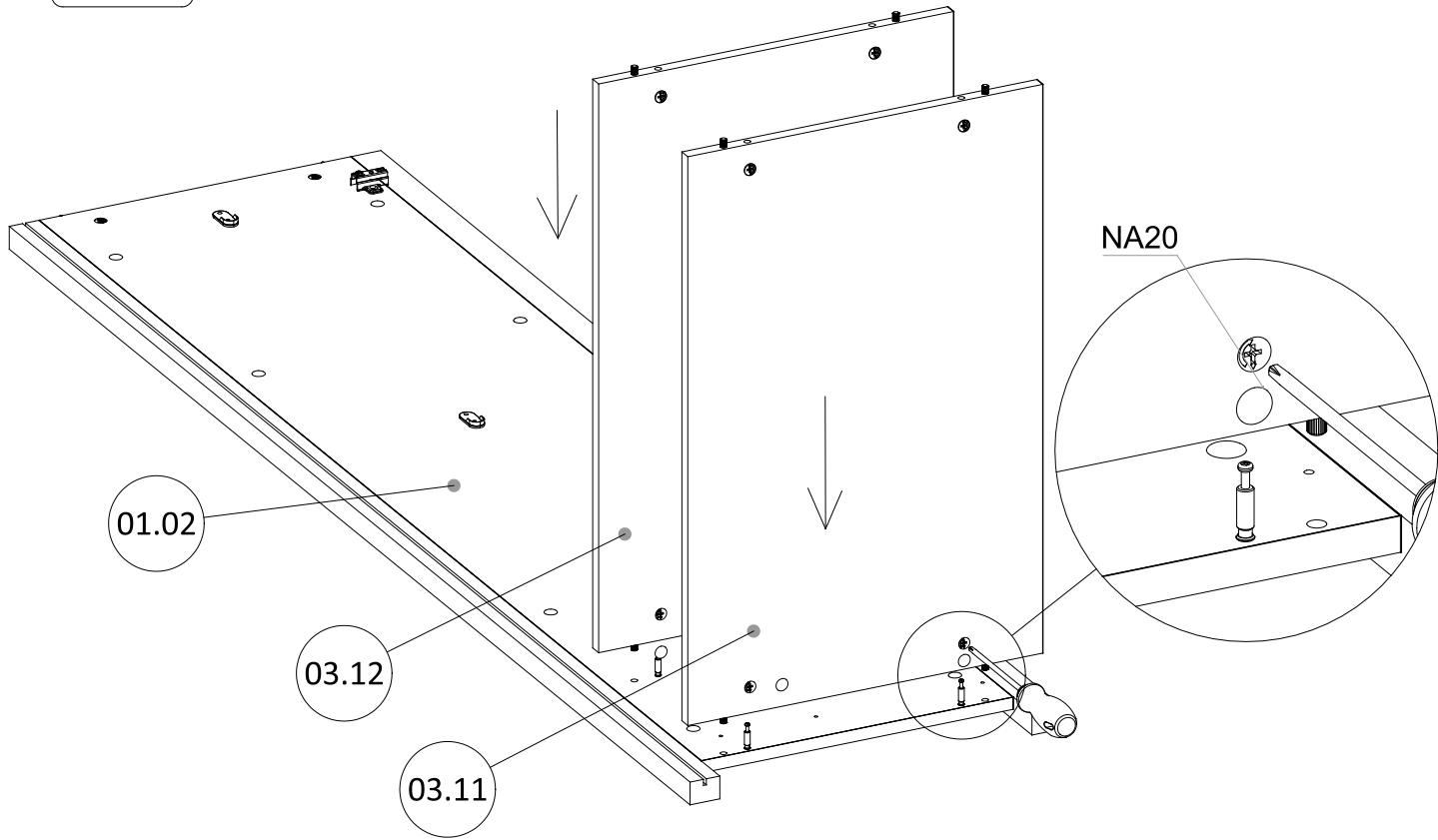
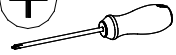
12



10

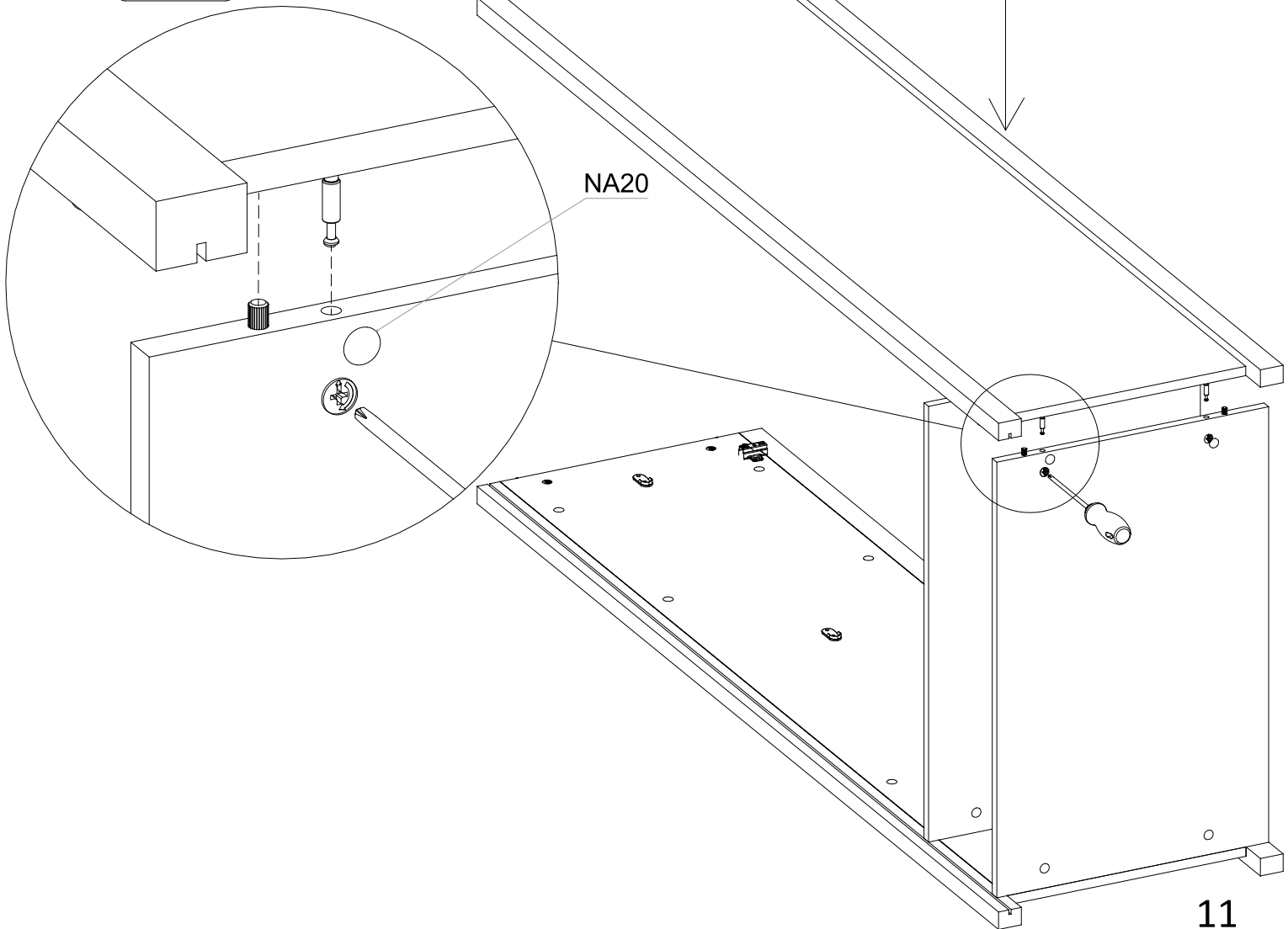
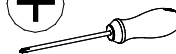
13

NA20
4x

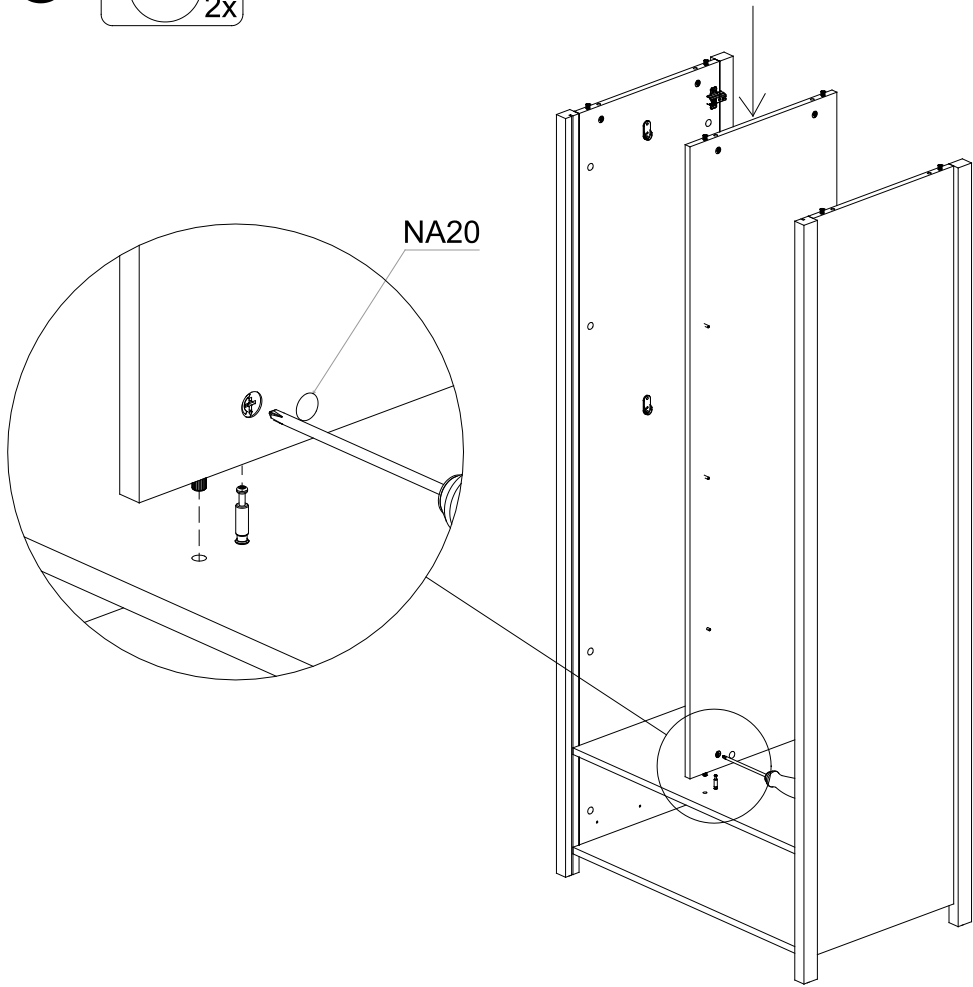
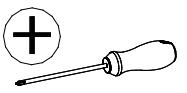
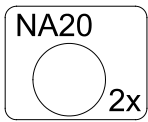


14

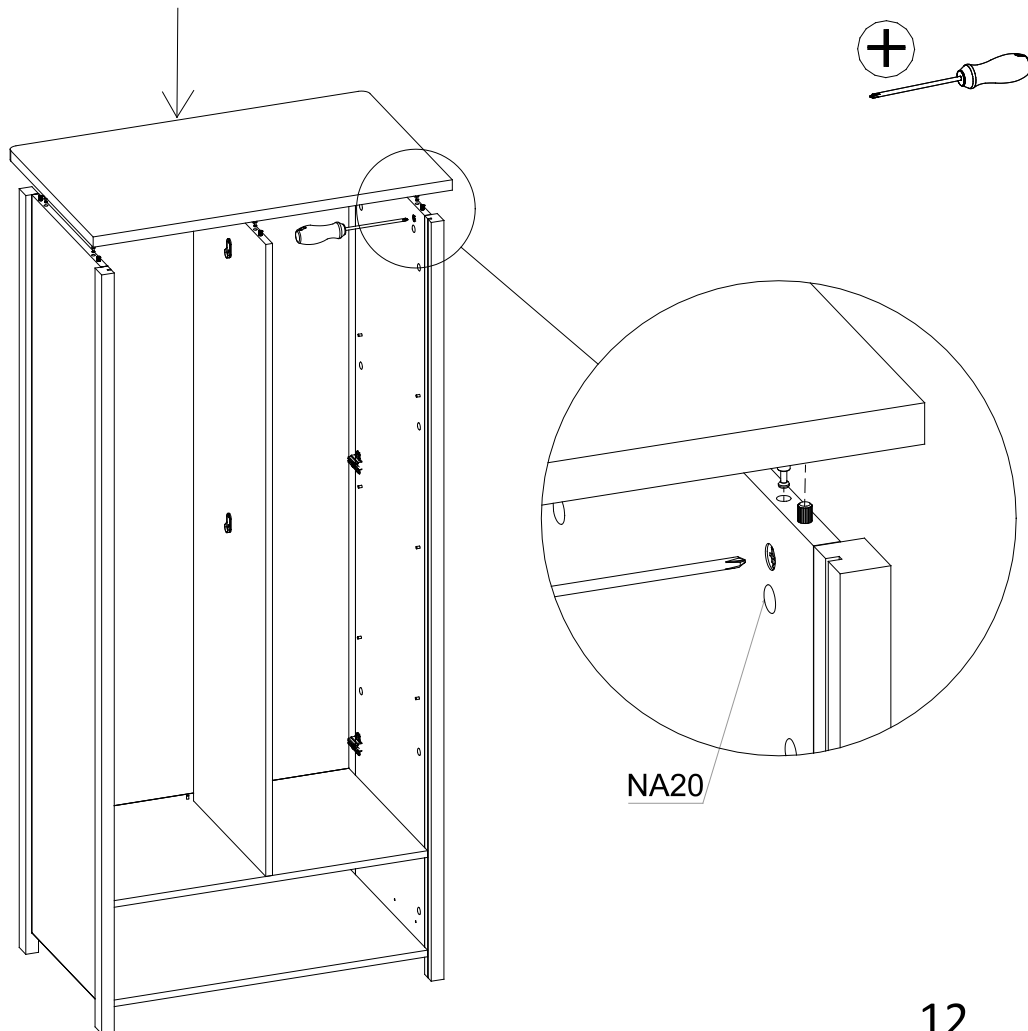
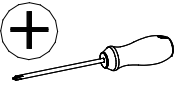
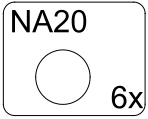
NA20
4x



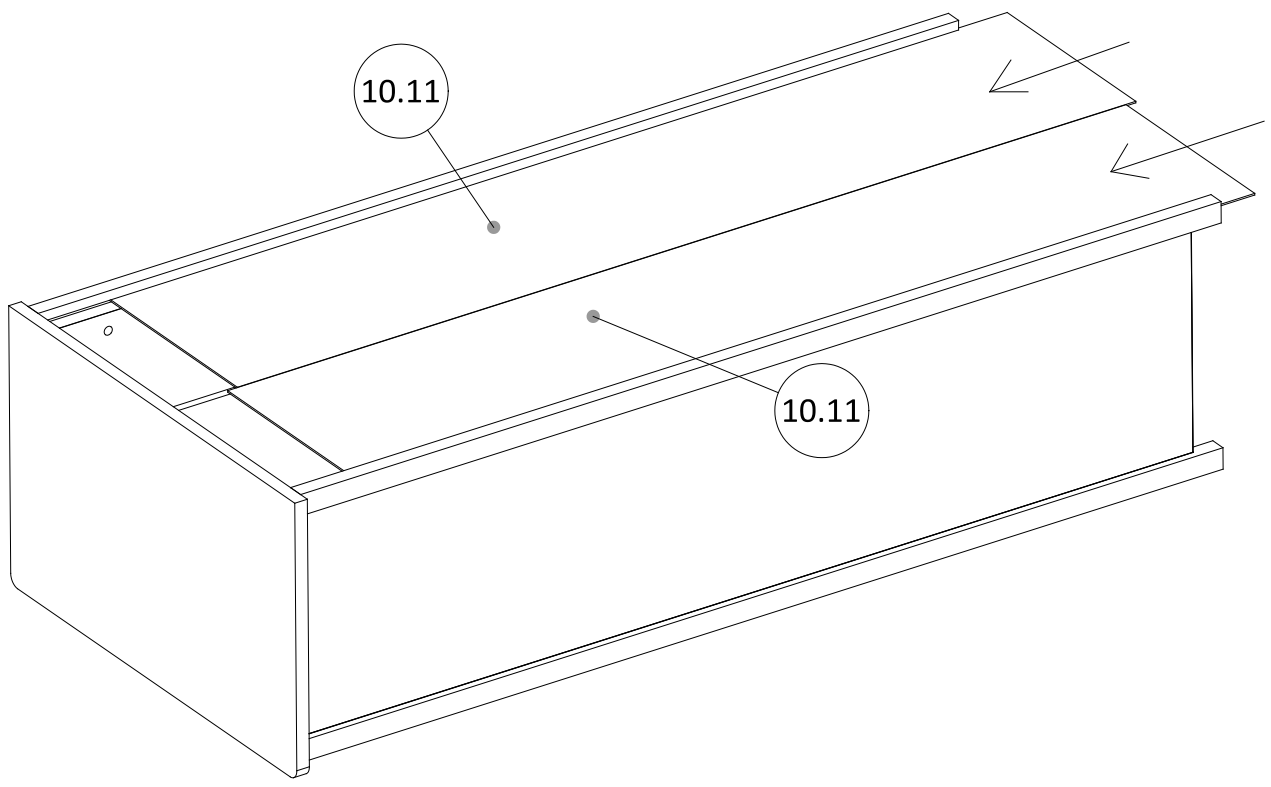
15



16

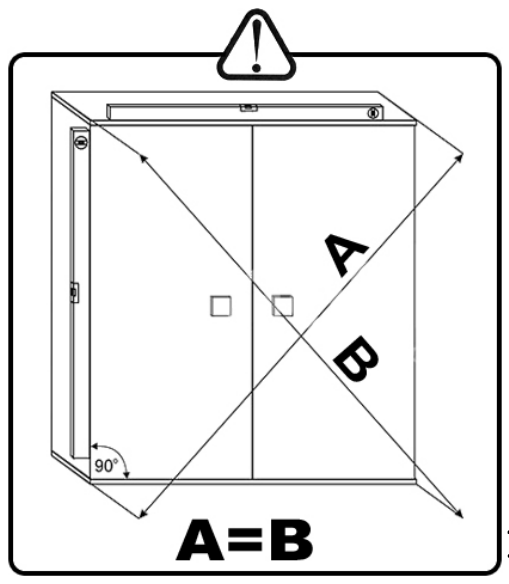
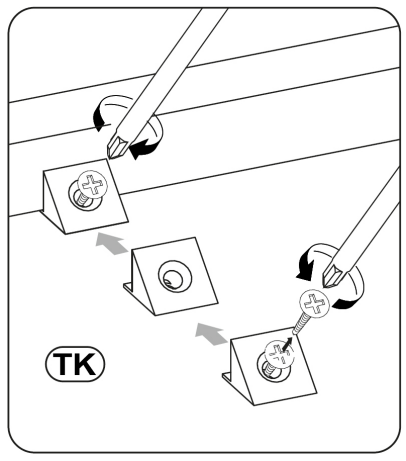
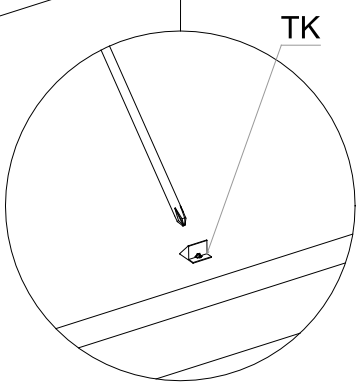
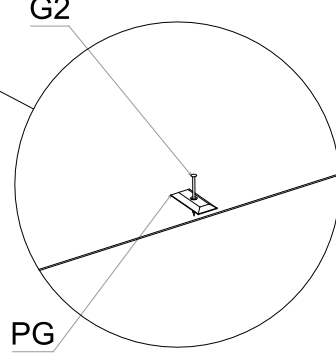
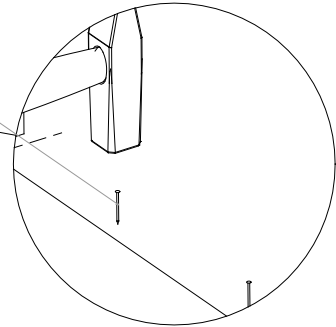
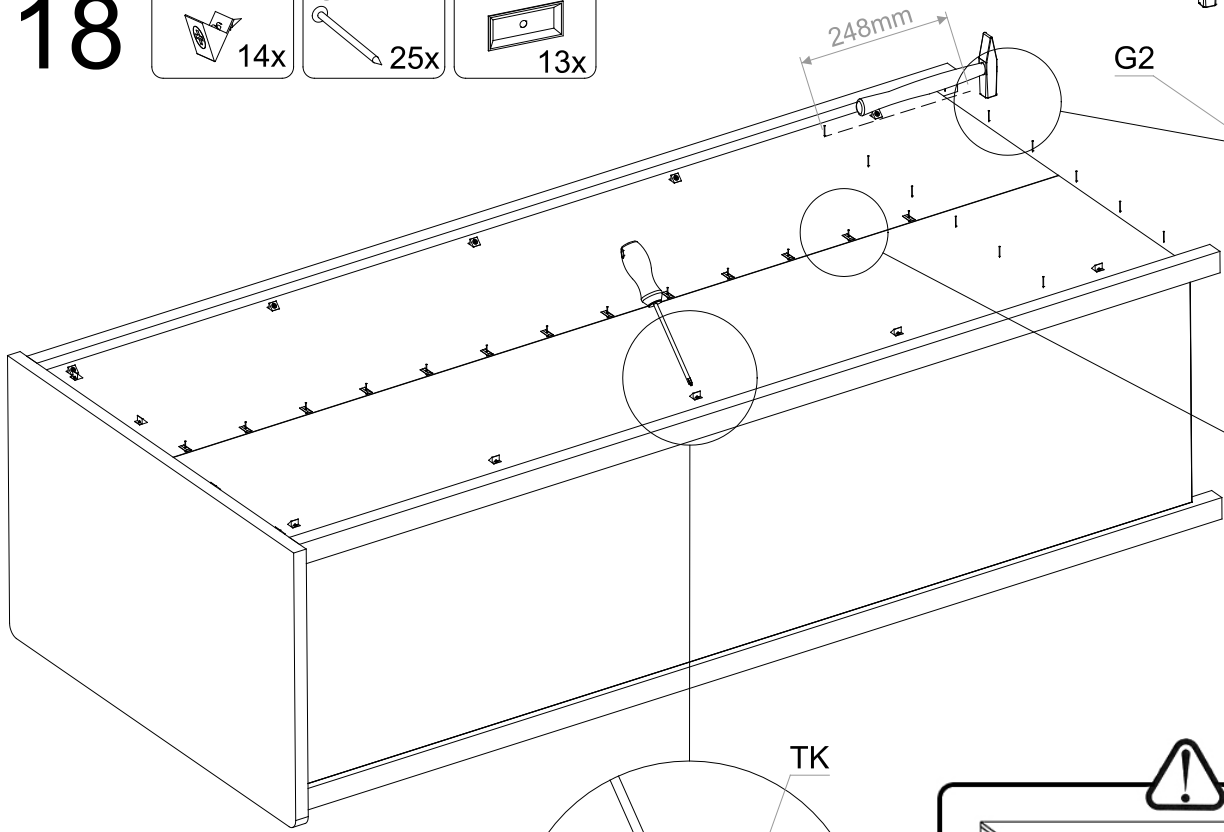
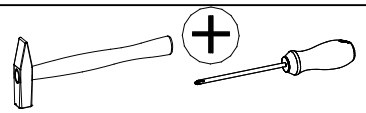


17



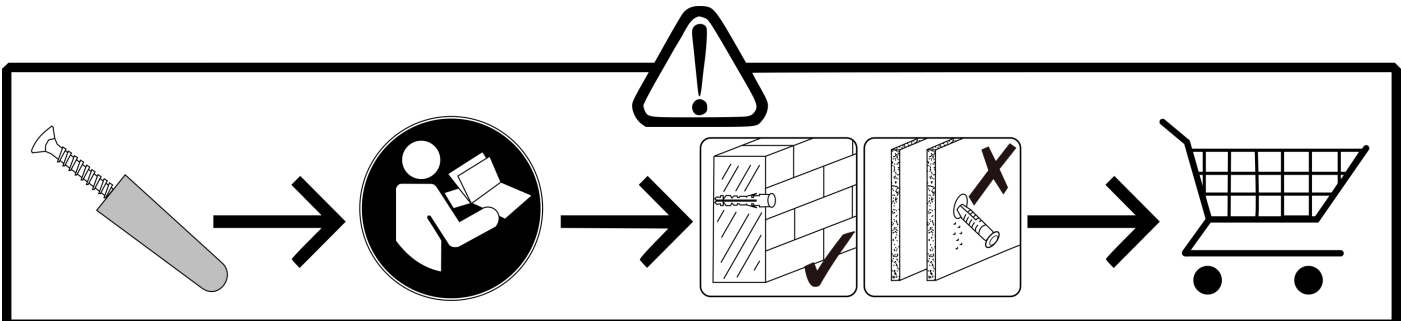
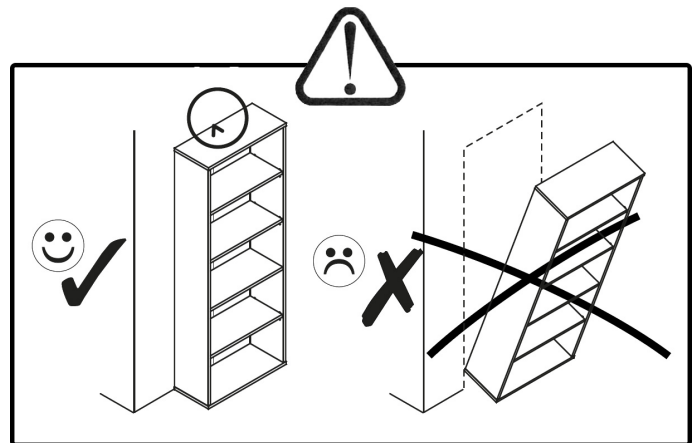
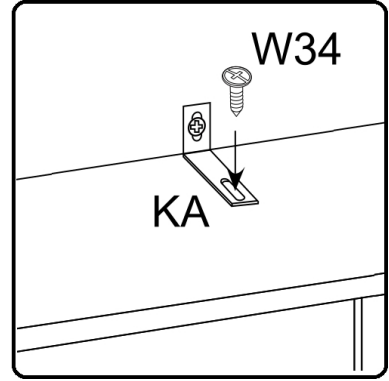
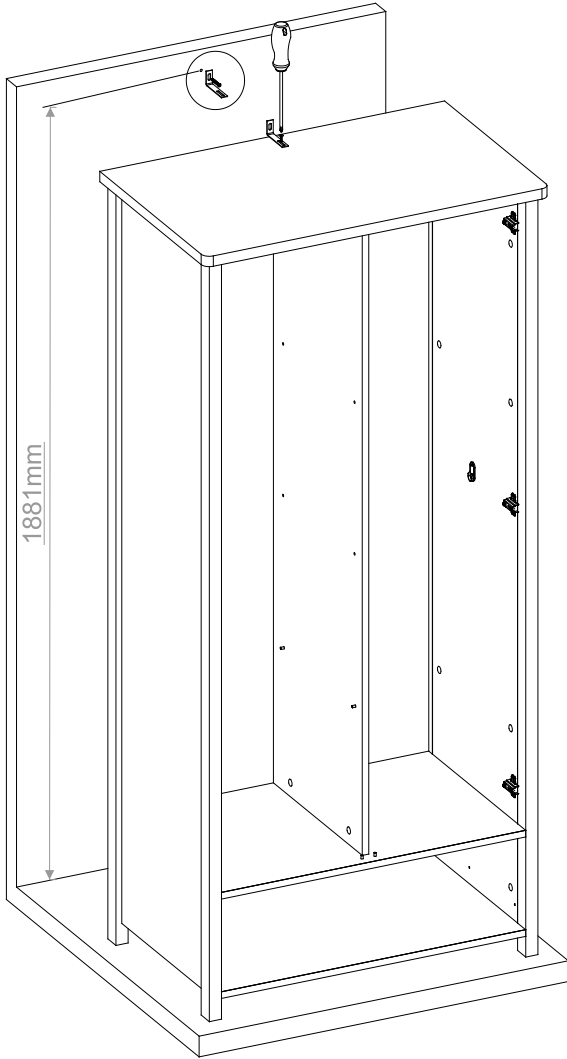
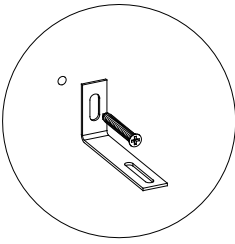
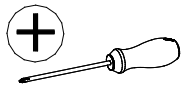
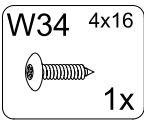
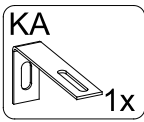
18

- TK** 14x
- G2** 2x20 25x
- PG** 13x

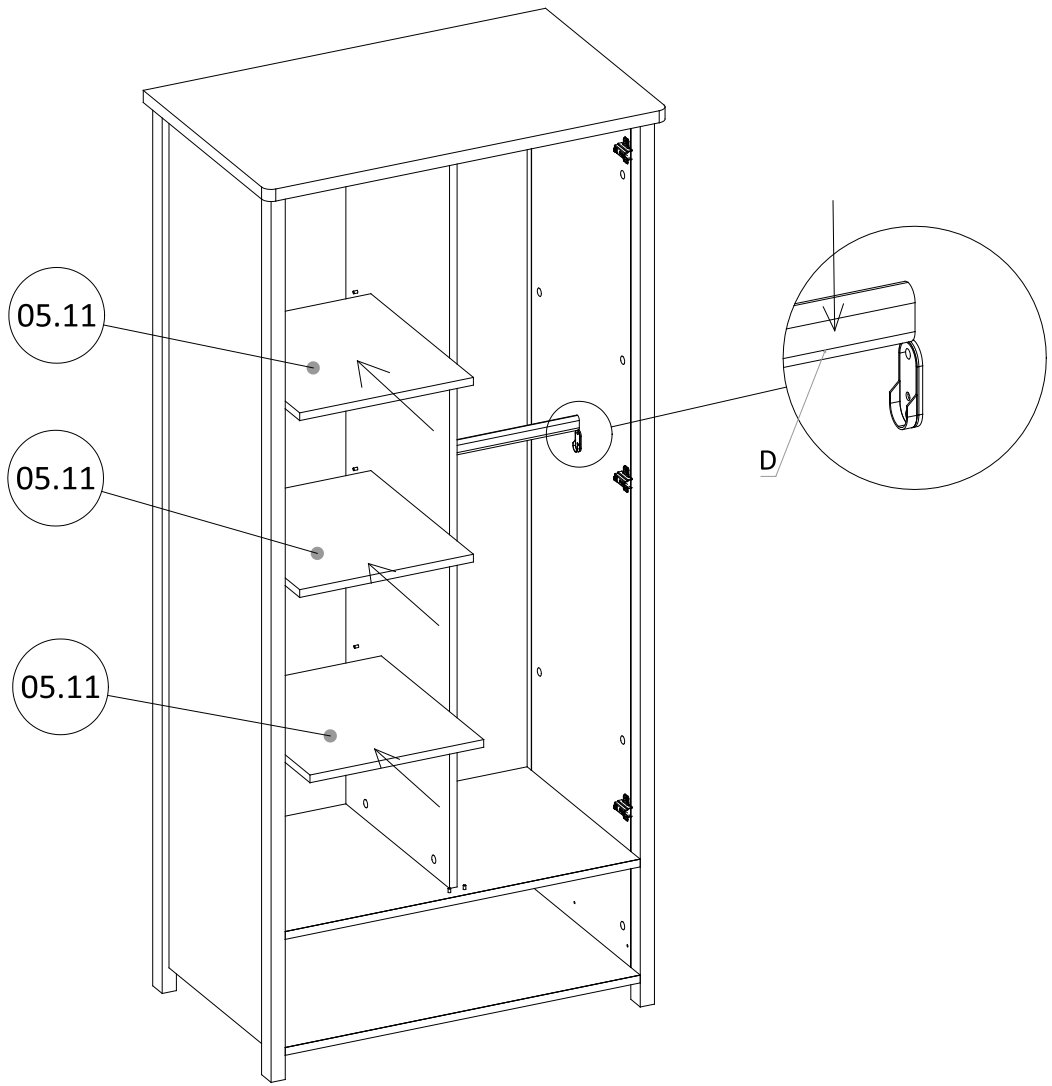
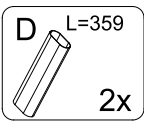


13

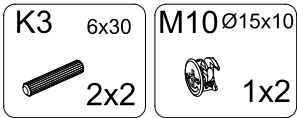
19



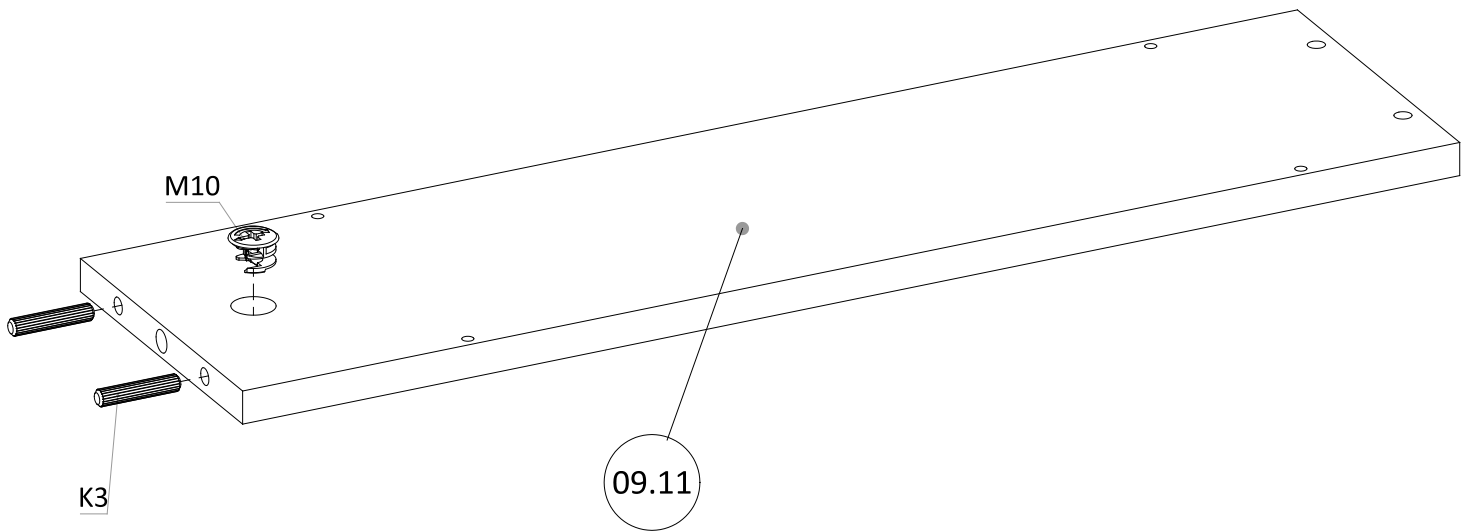
20



21

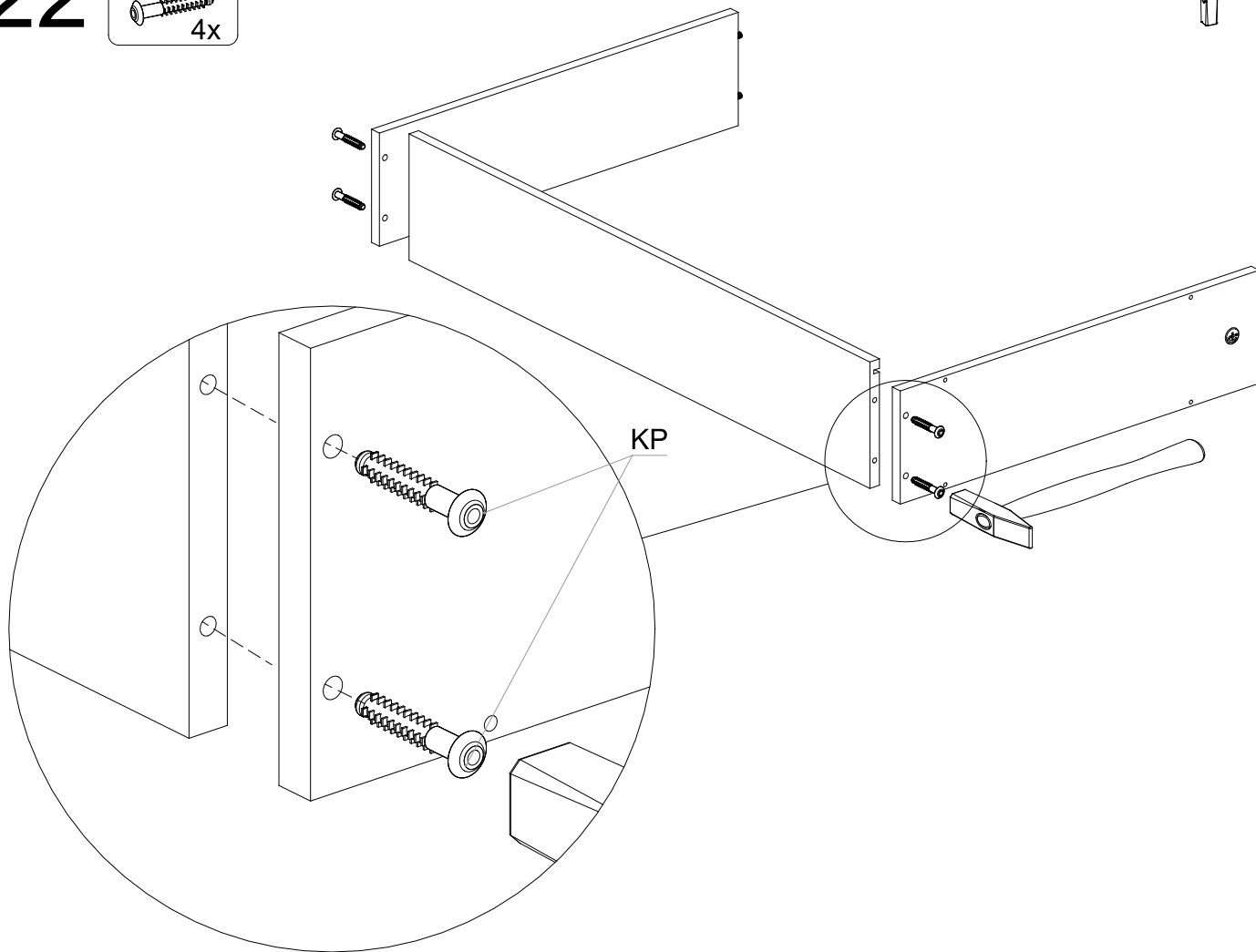


2x

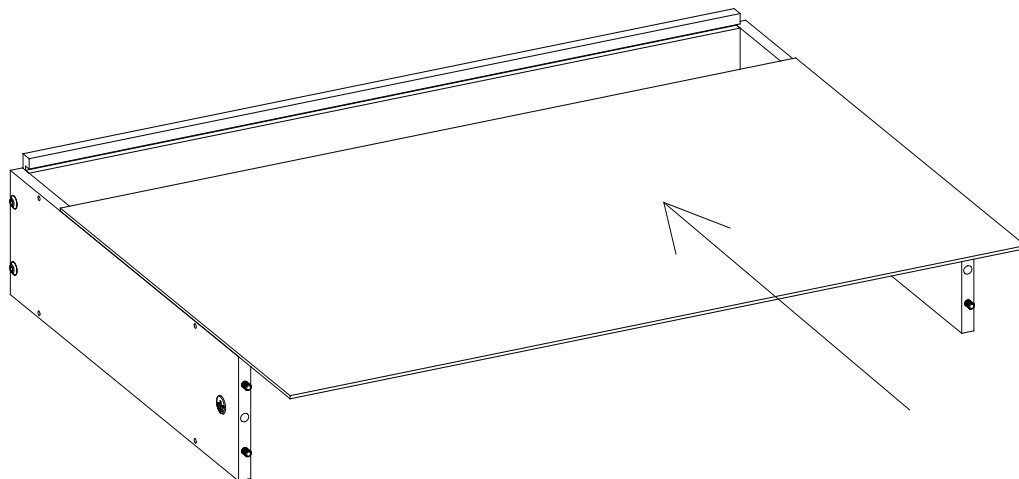


22

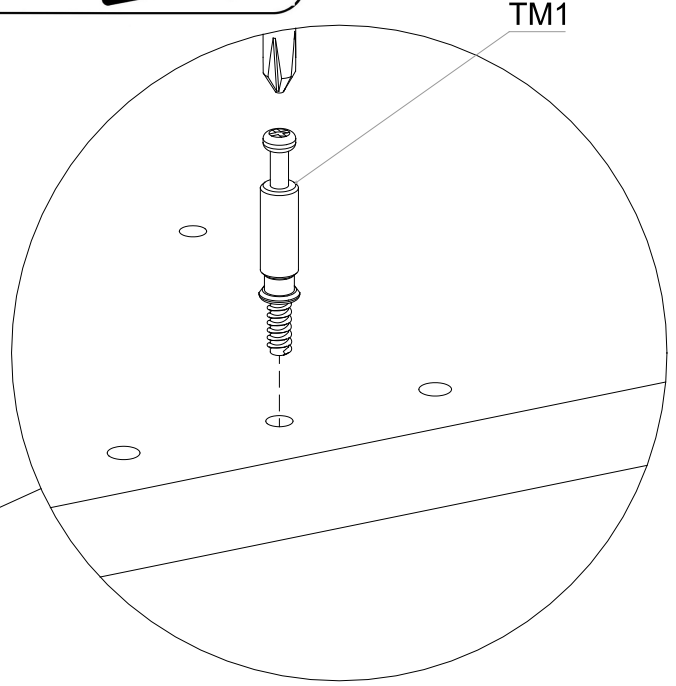
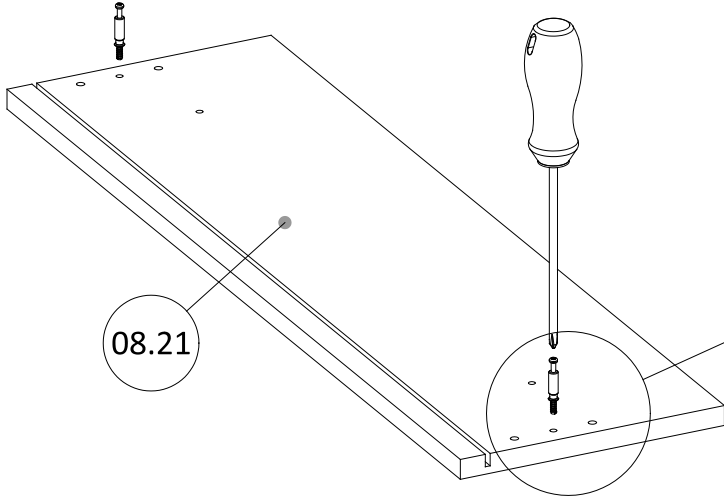
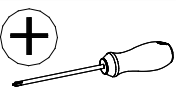
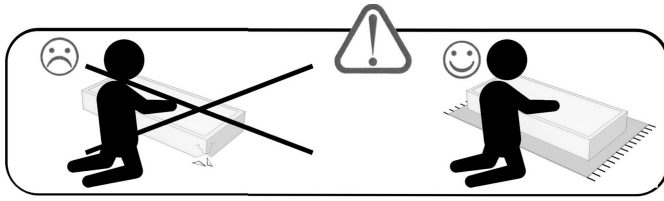
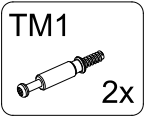
KP 6x40
4x



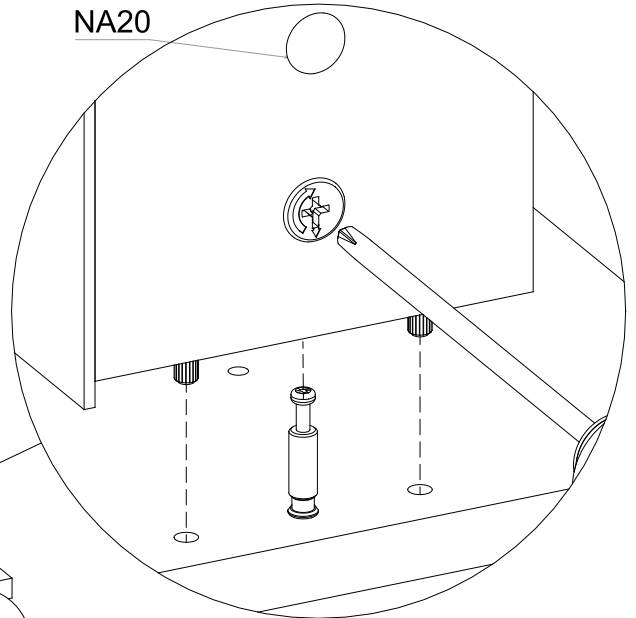
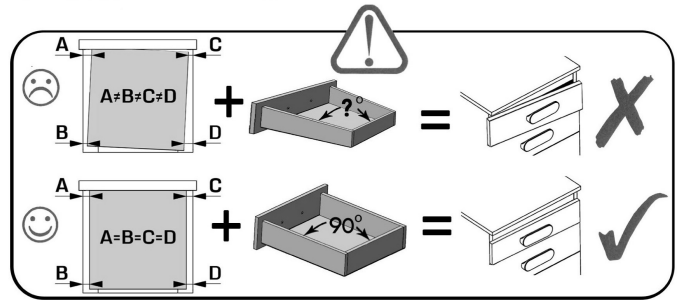
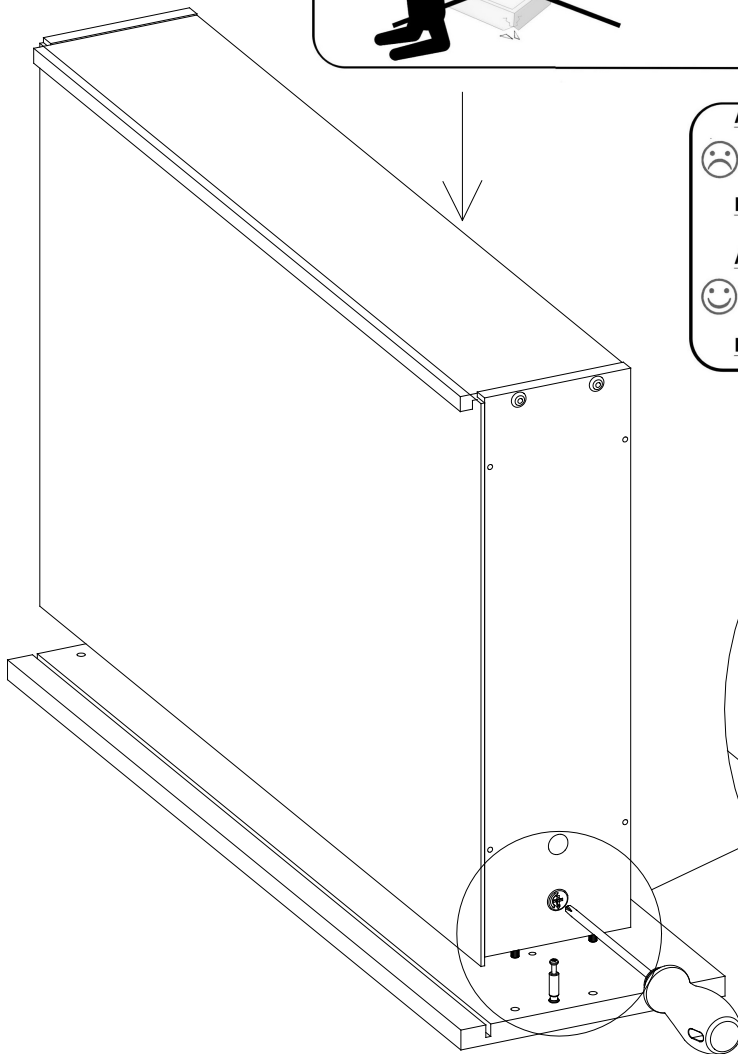
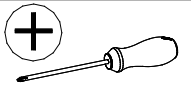
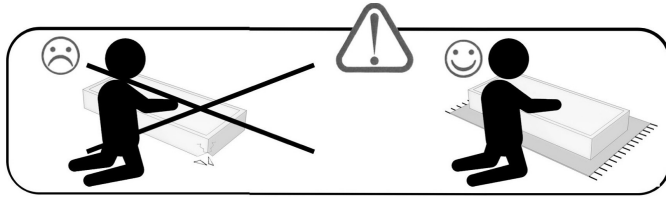
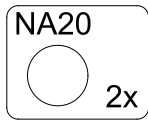
23



24

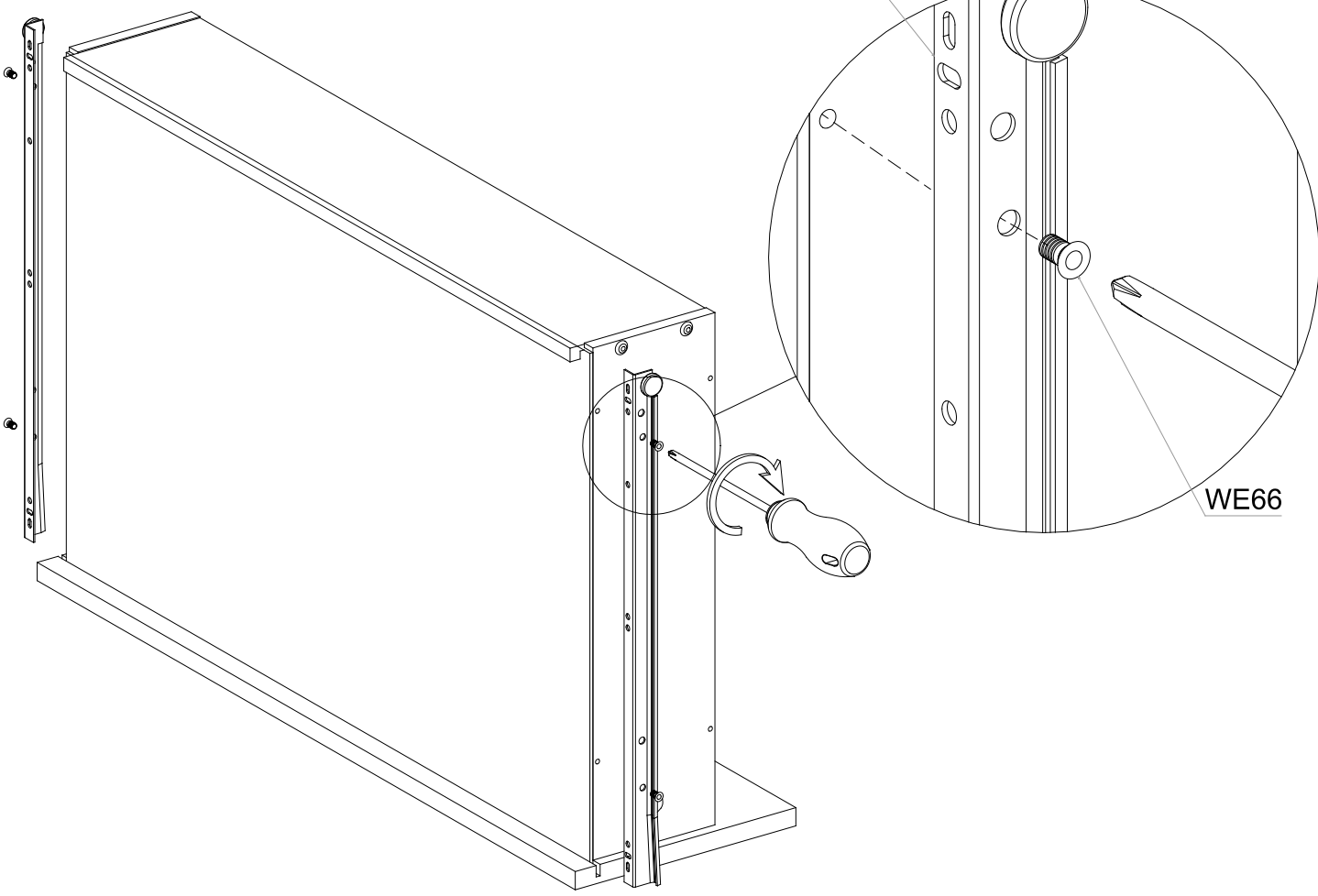
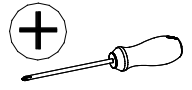


25



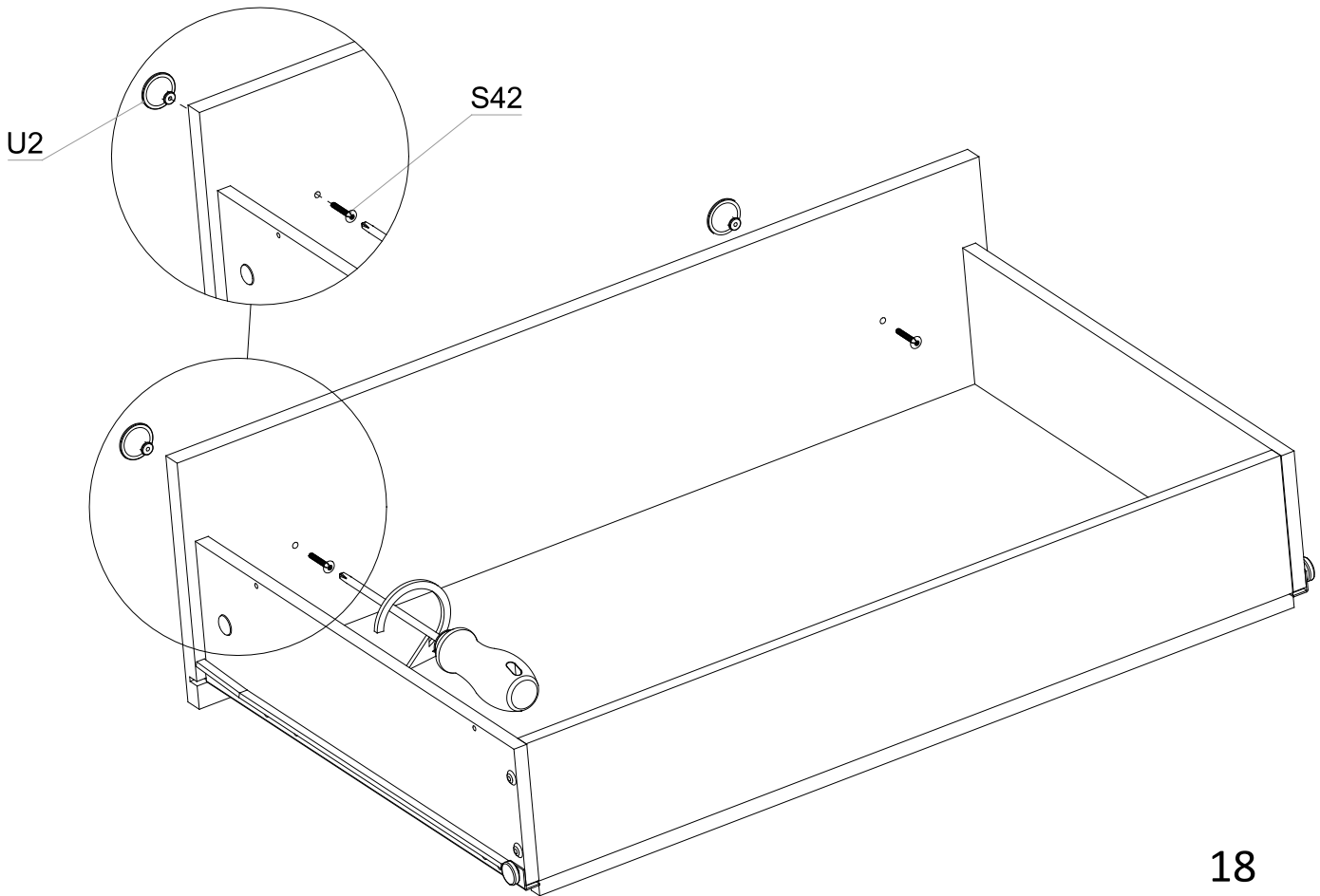
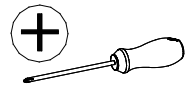
26

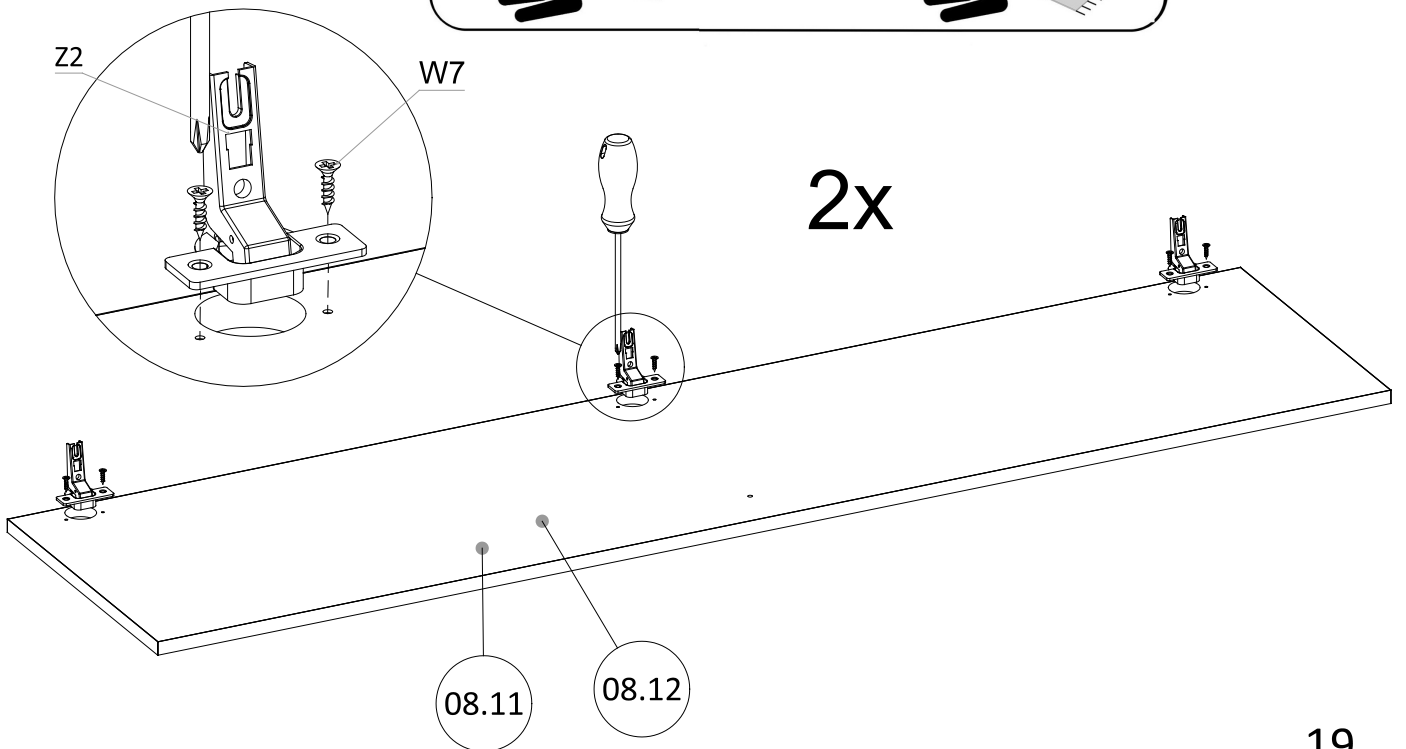
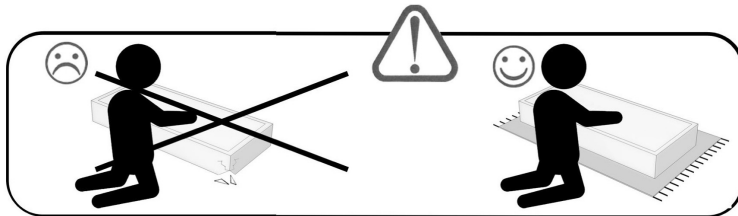
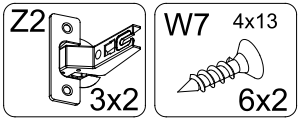
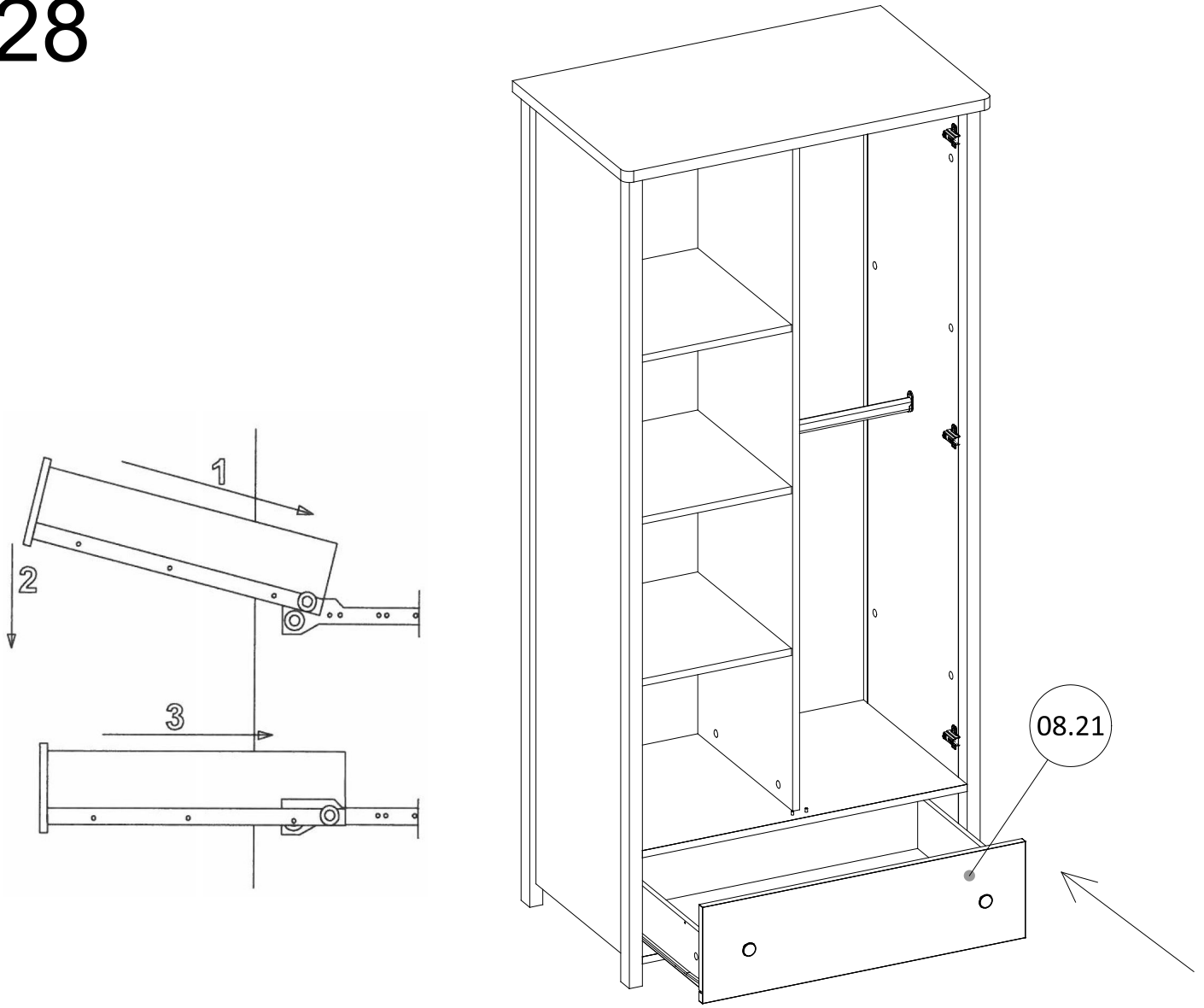
- PR5 2x
- WE66 5x9 4x



27

- U2 Ø26 2x
- S42 M4x25 2x





30

