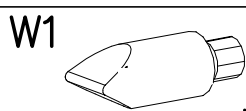
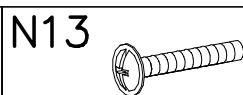


400mm x1



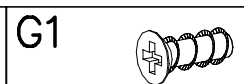
x3



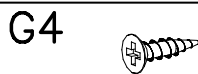
M4x22 x4



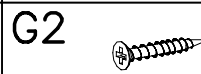
PZ350D x2



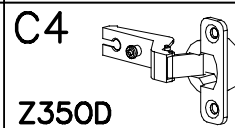
4x13 x10



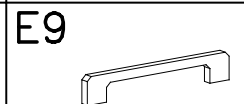
4x16 x4



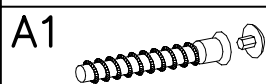
3x20 x25



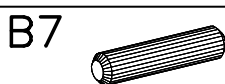
Z350D x2



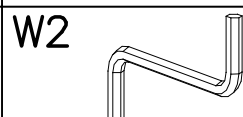
x2



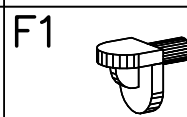
ø7x50 x19



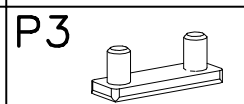
ø8x30 x51



x1

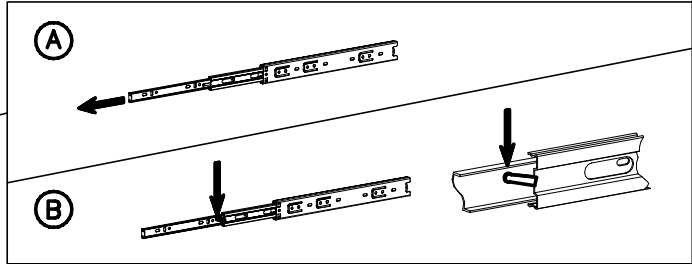
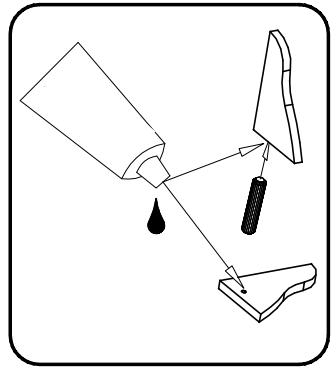
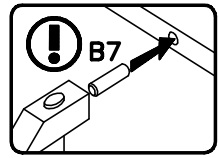
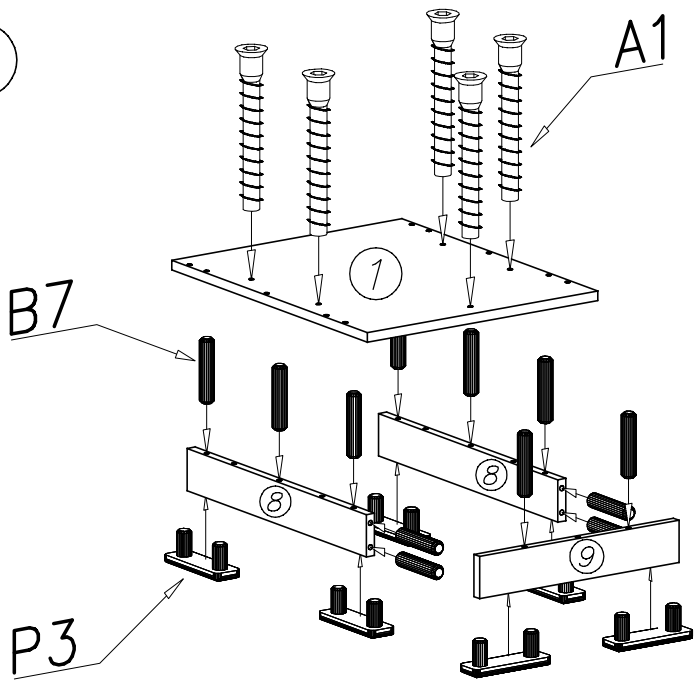


x4

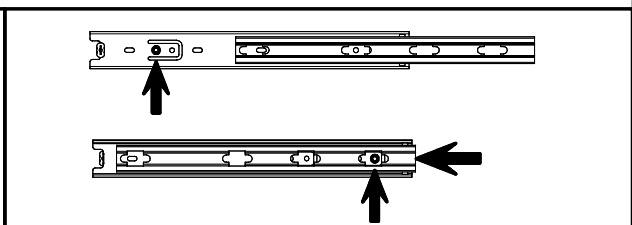
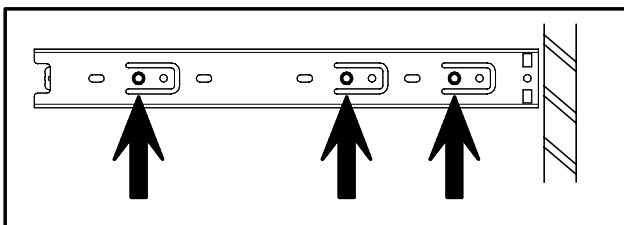
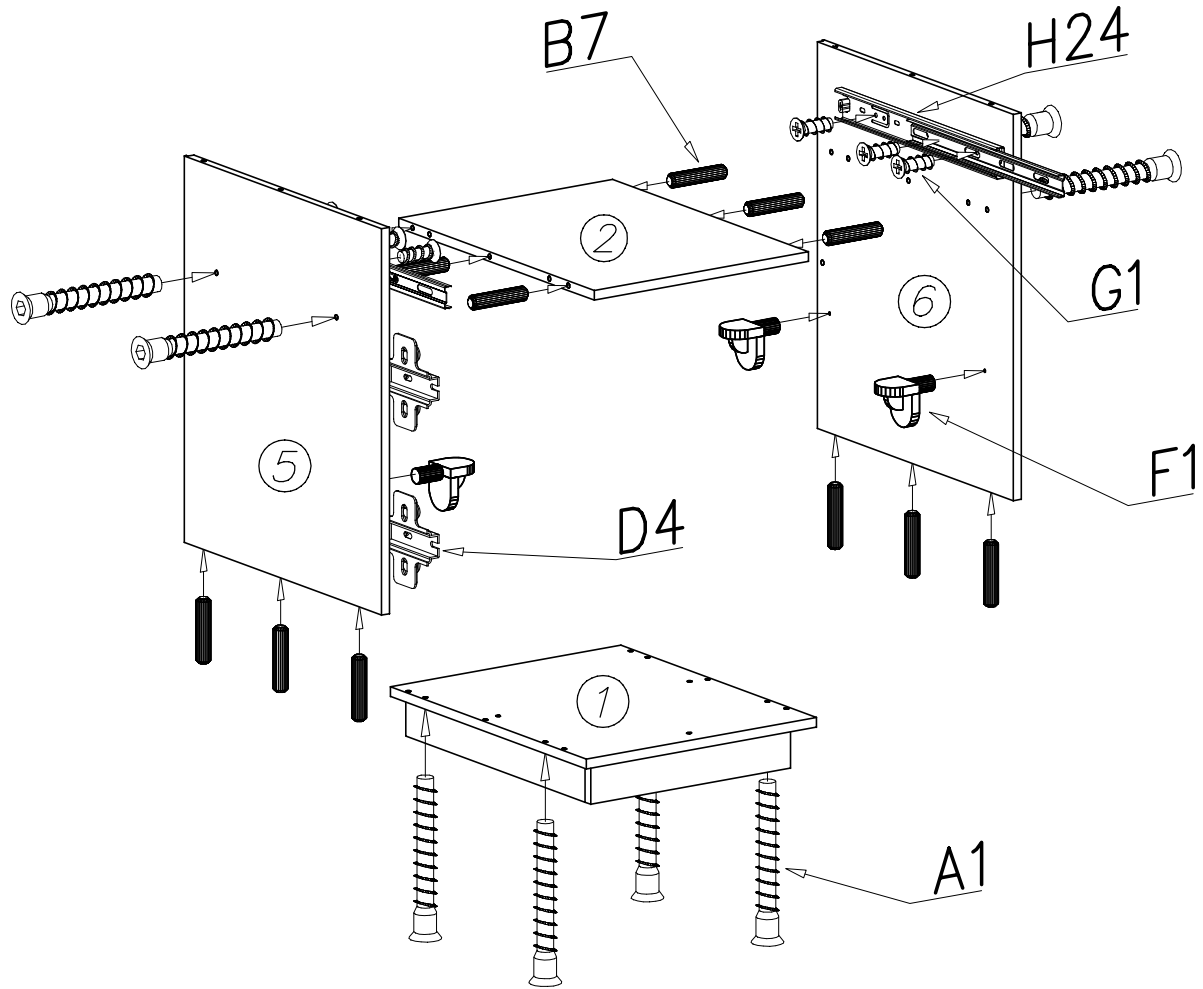


x8

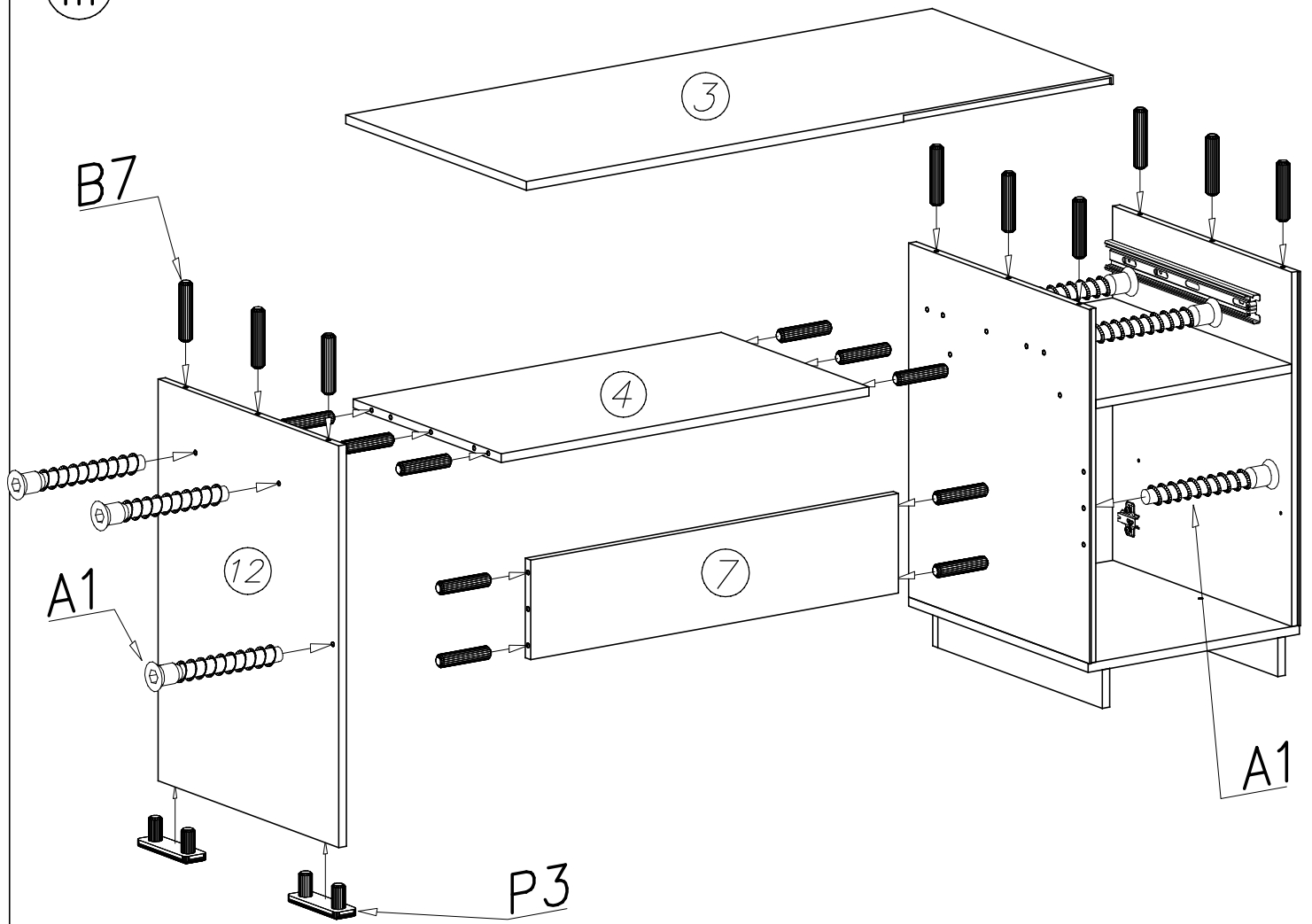
I



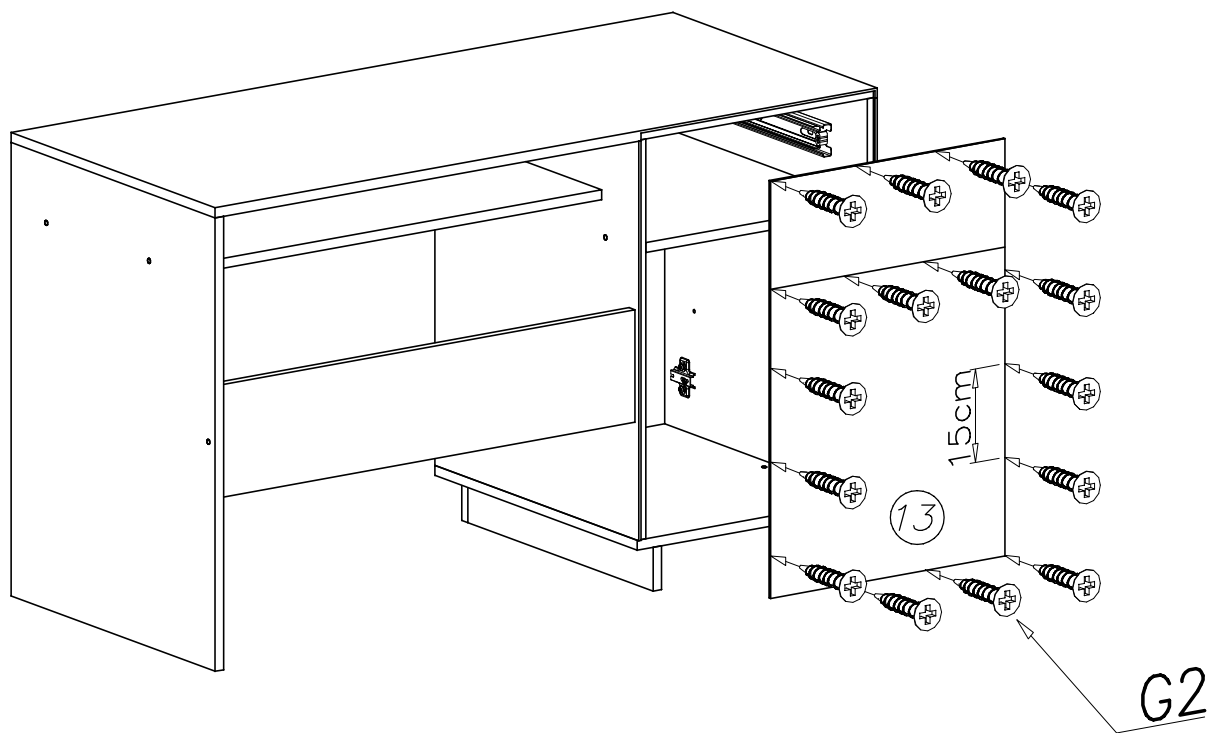
II



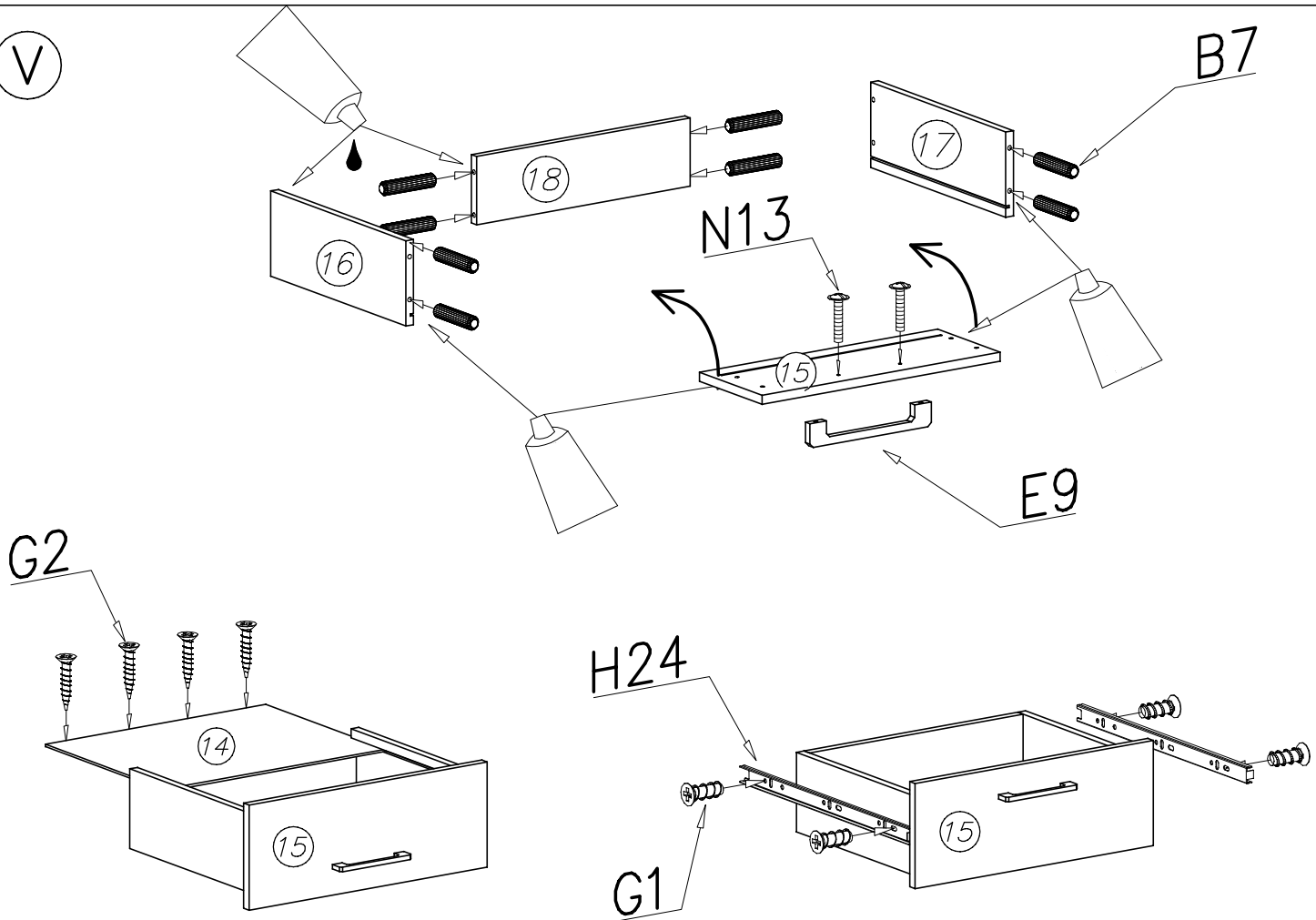
III



IV



V



VI

