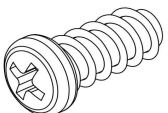
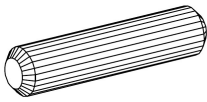
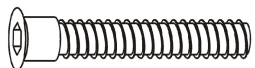

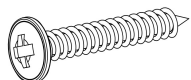
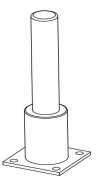
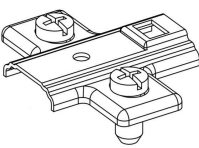

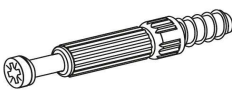
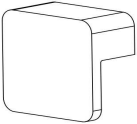

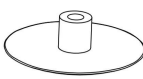
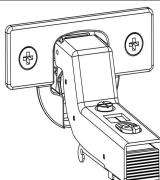
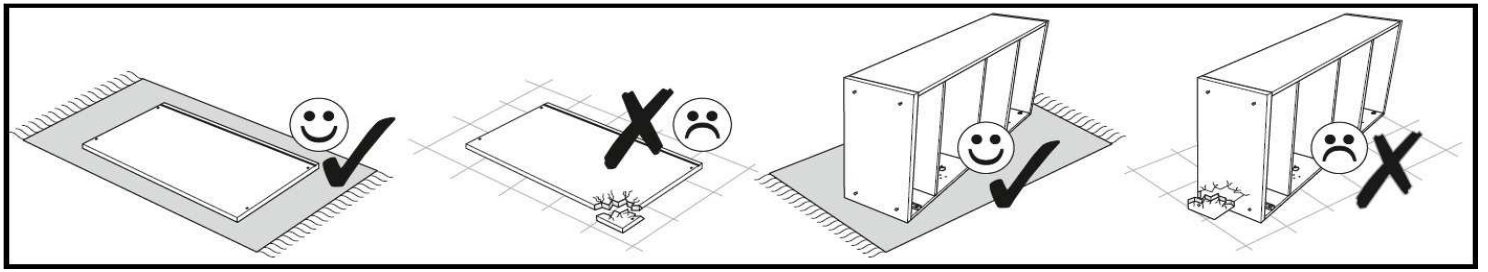
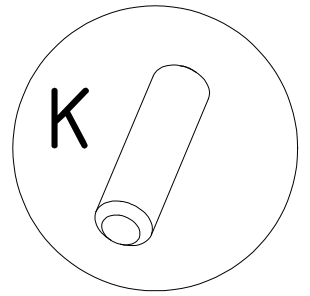
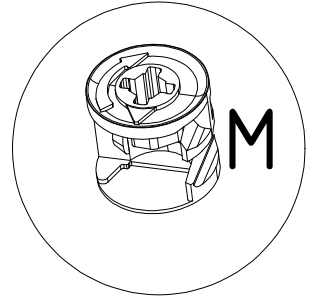
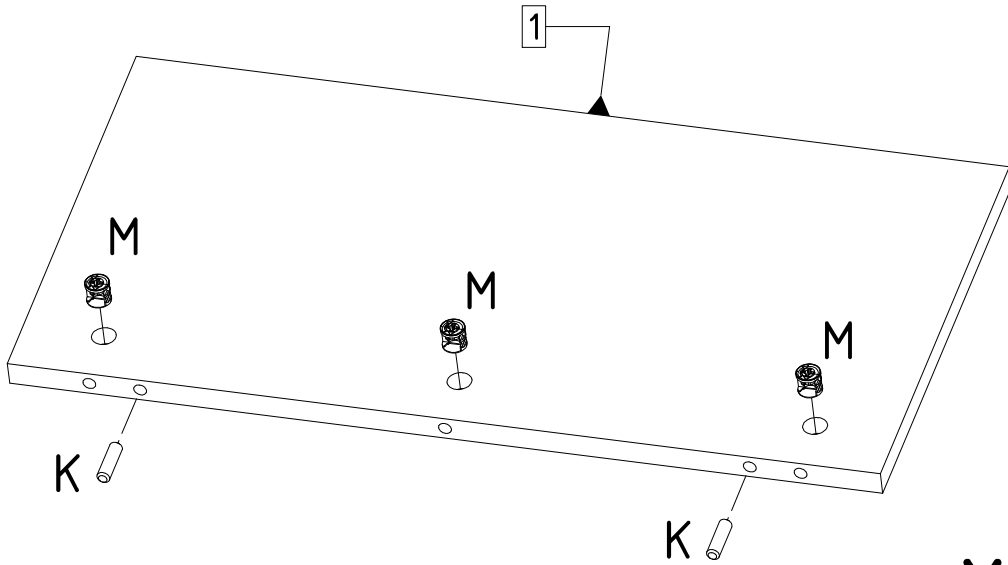
 A1	6,3 X 13  E13	8 x 30  K	6,3 X 50  KN	15 x 12  M
4 x 30  M30	 NT=200mm	 PE	N120  SB	6 x 34 mm  T
50 x 50  UK	4 x 16  W16	 Z	 ZPWH	

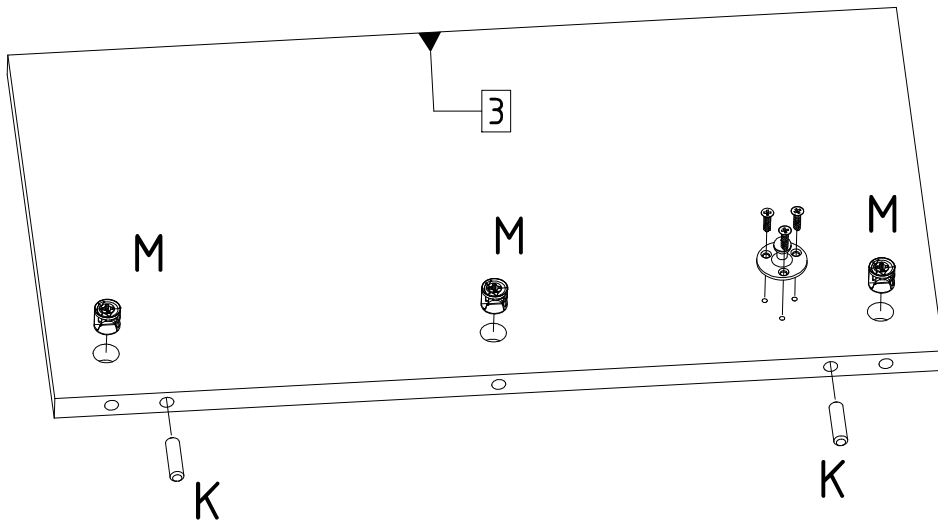
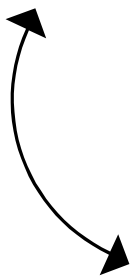
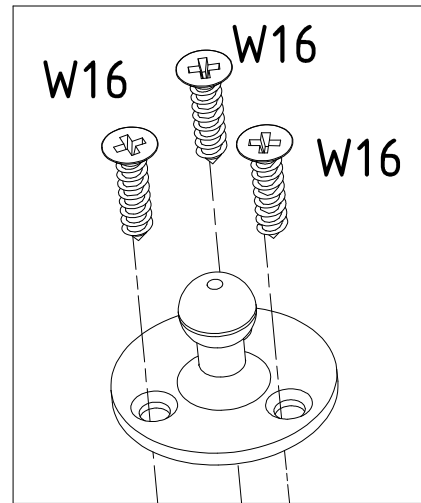
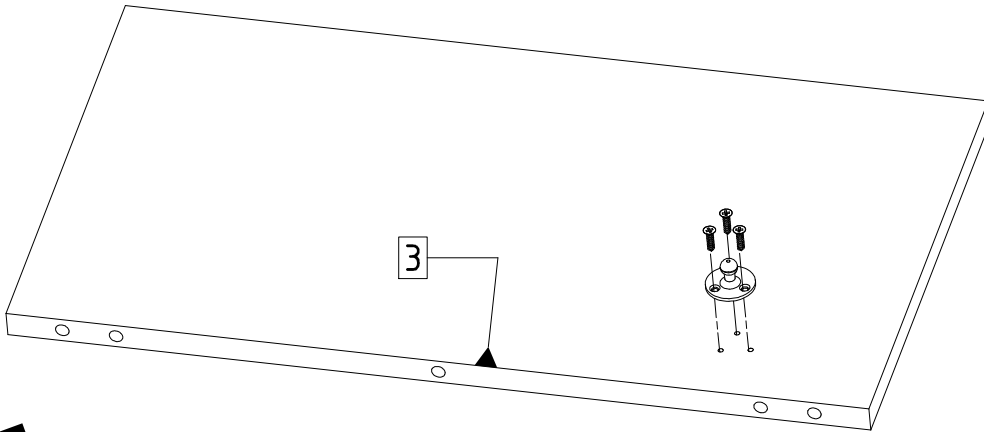
BK [1]	550	278	2	A1	1
FTK [2]	1161	271	2	E13	16
PPIO [3]	514	278	1	K	6
WD [4]	1200	550	1	KN	8
WG [5]	1200	550	1	M	9
				M30	4
				NT200mm	4
				PE	4
				SB120	2
				T	9
				UK_50x50	2
				W16	18
				Z	9
				ZPWH	4



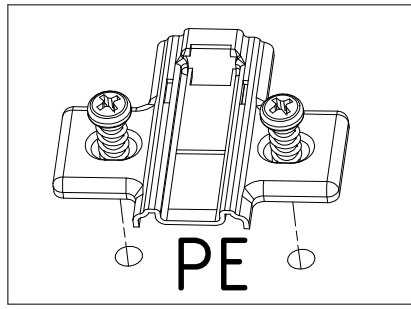
1.



x2



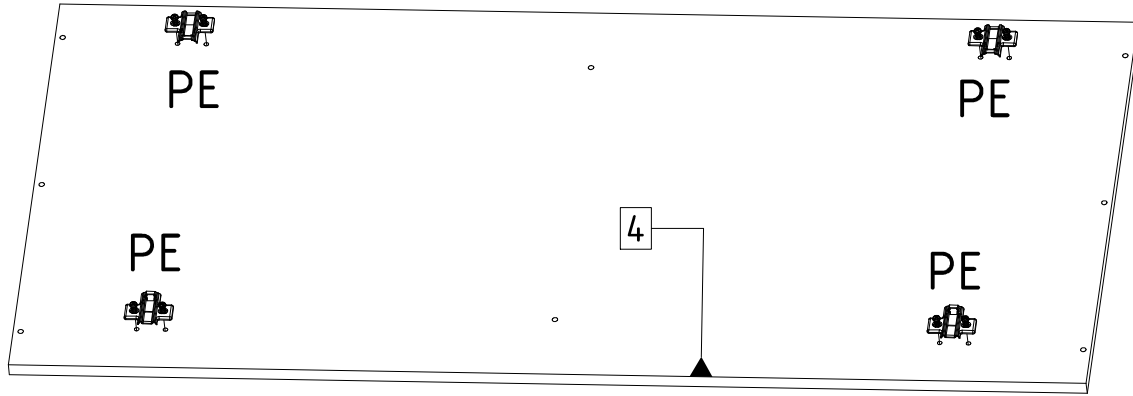
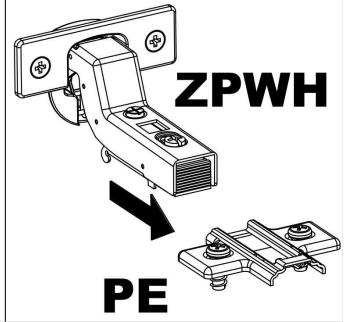
2.



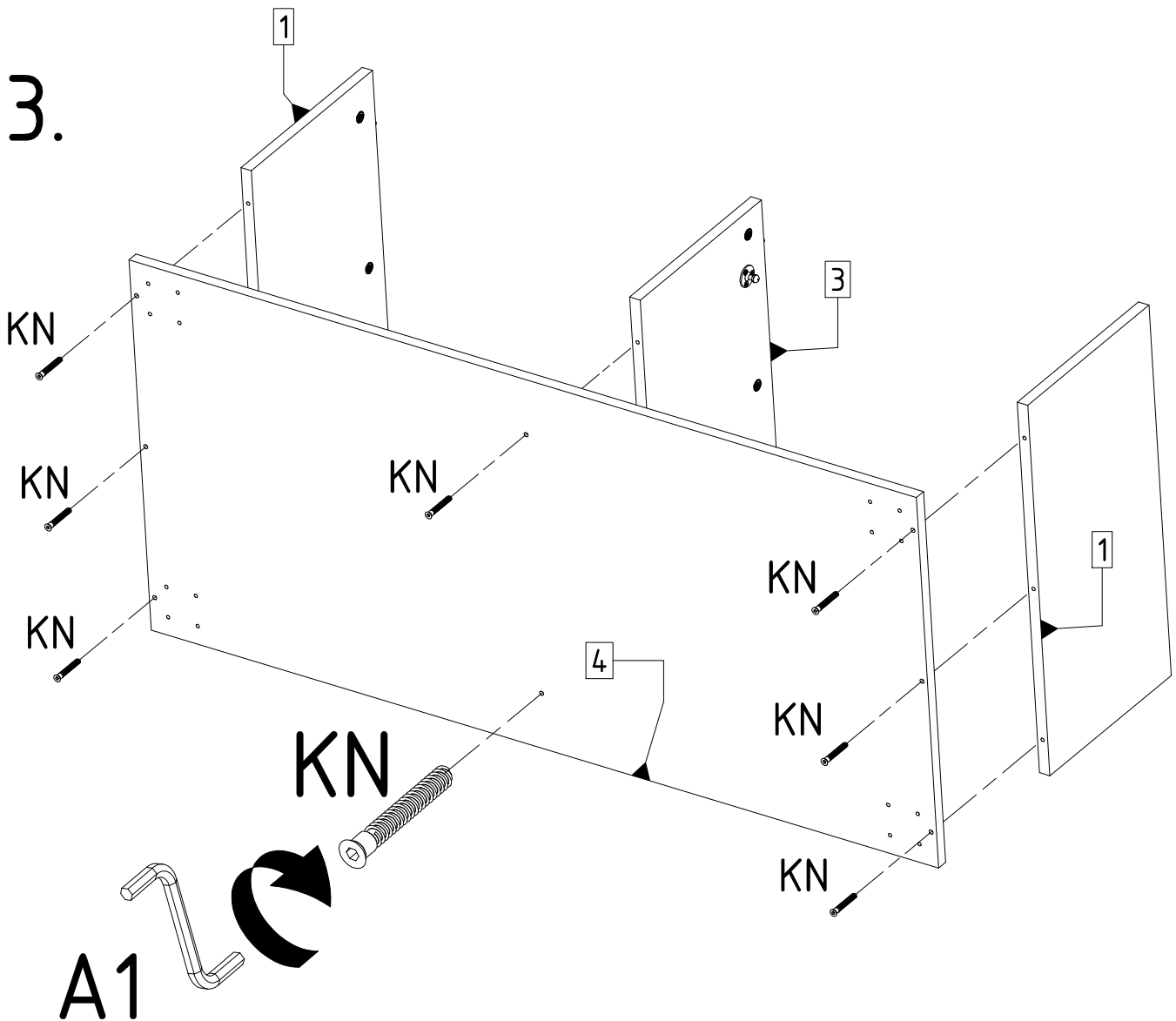
1.



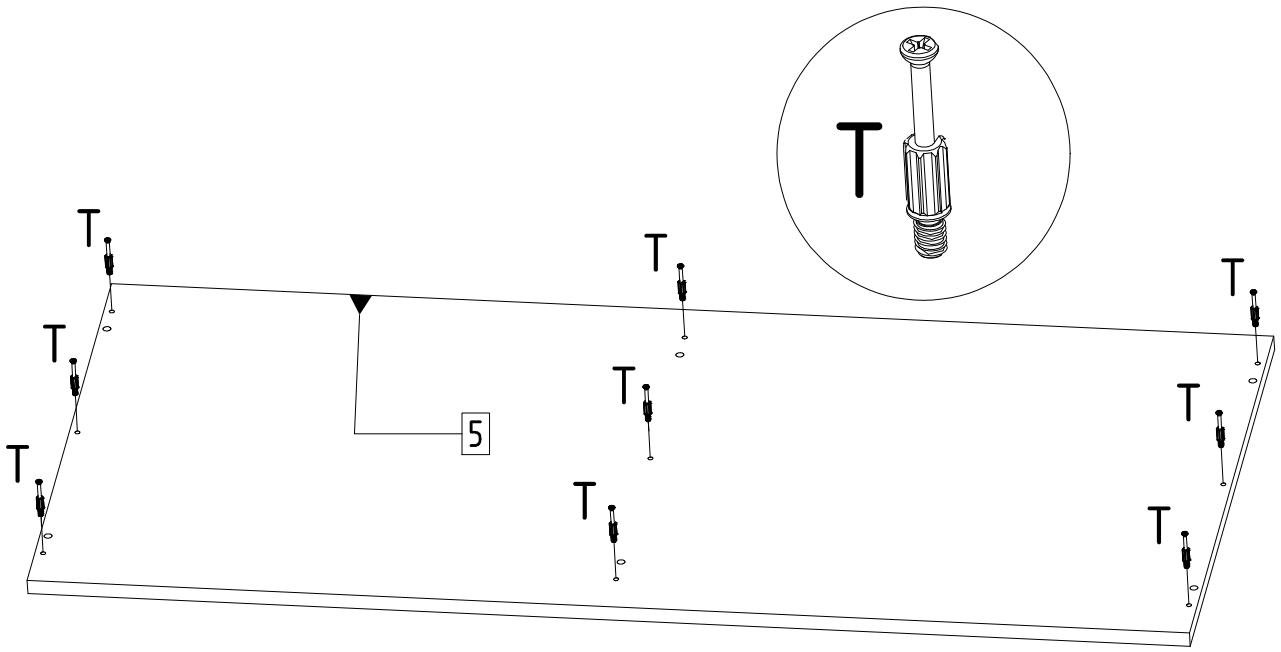
2.



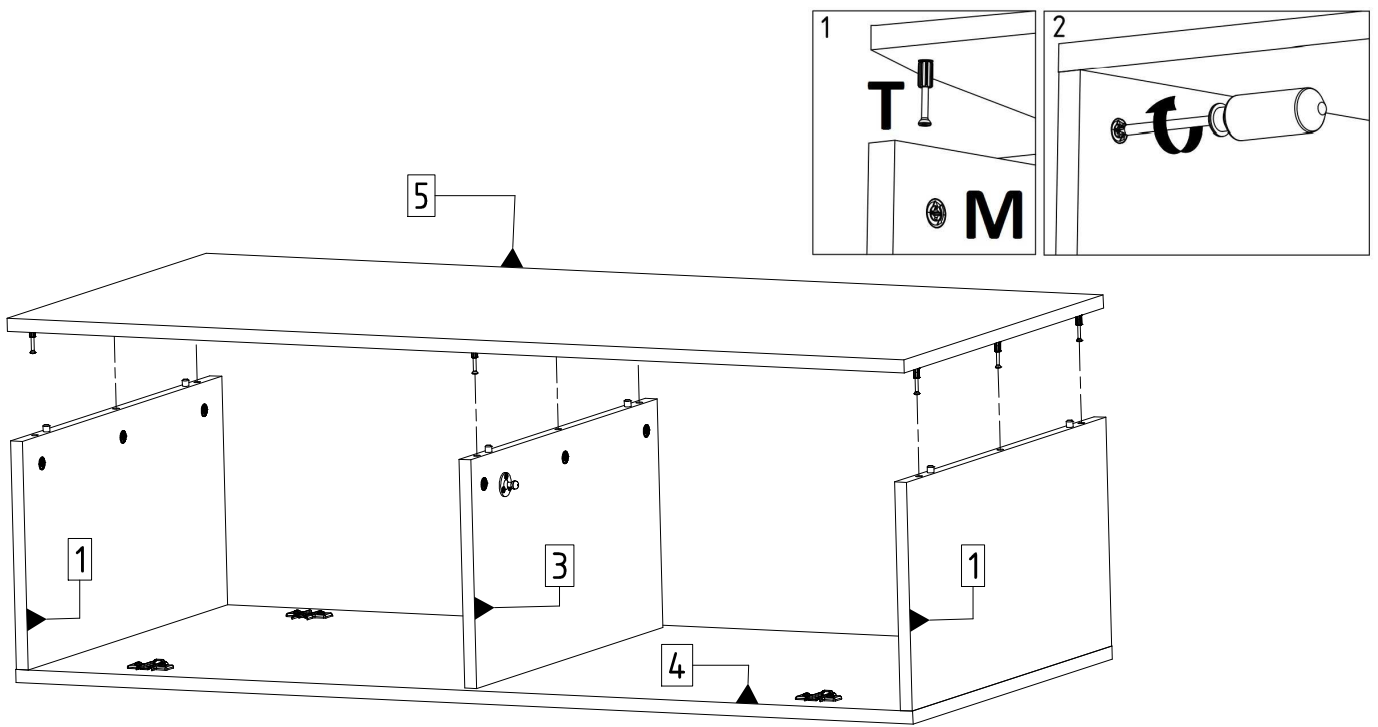
3.



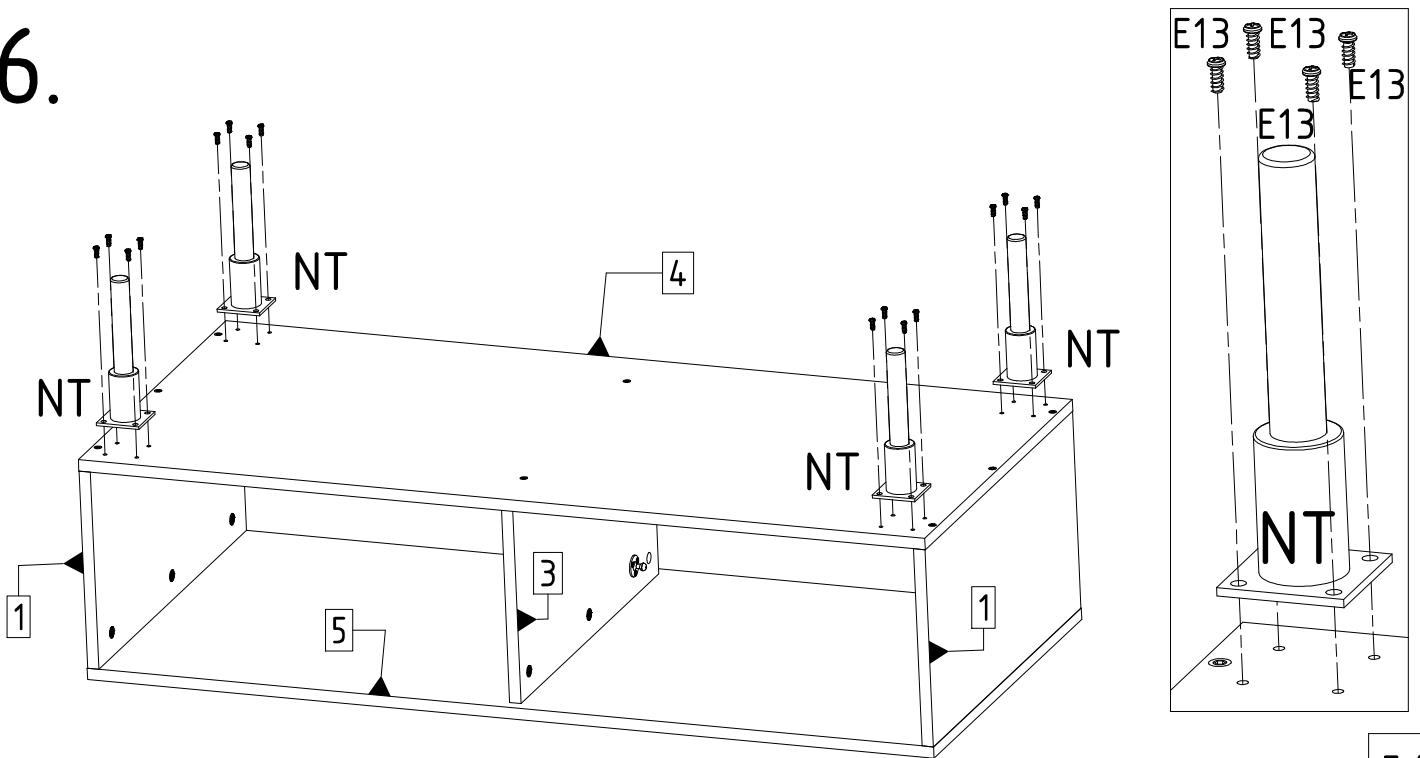
4.



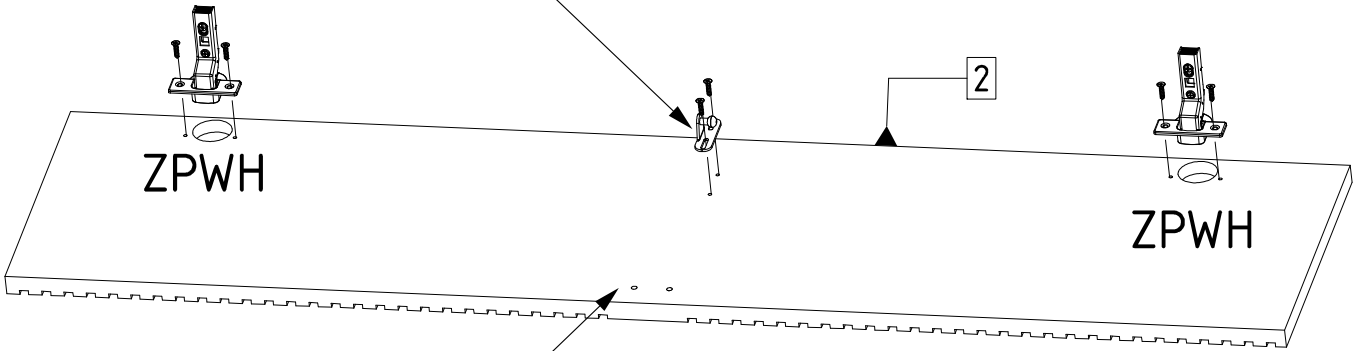
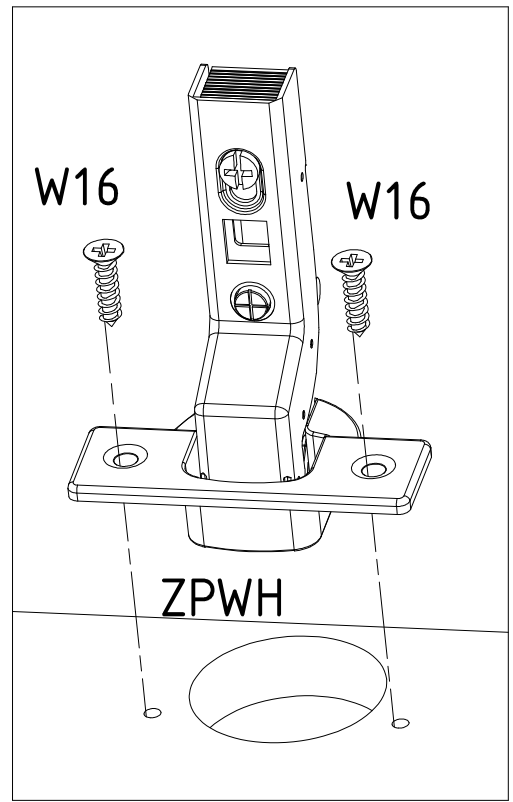
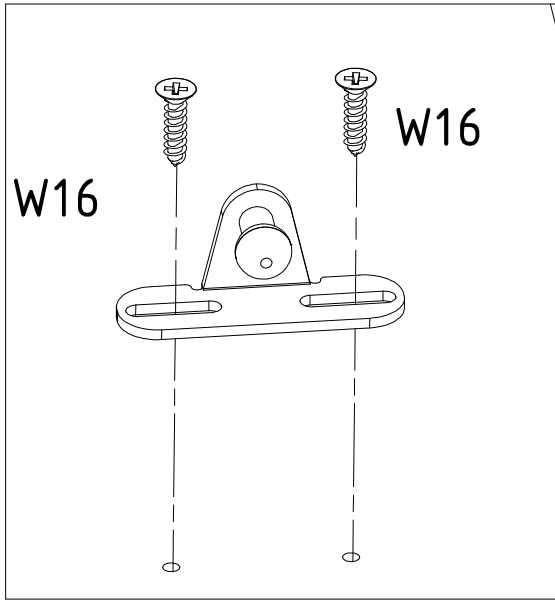
5.



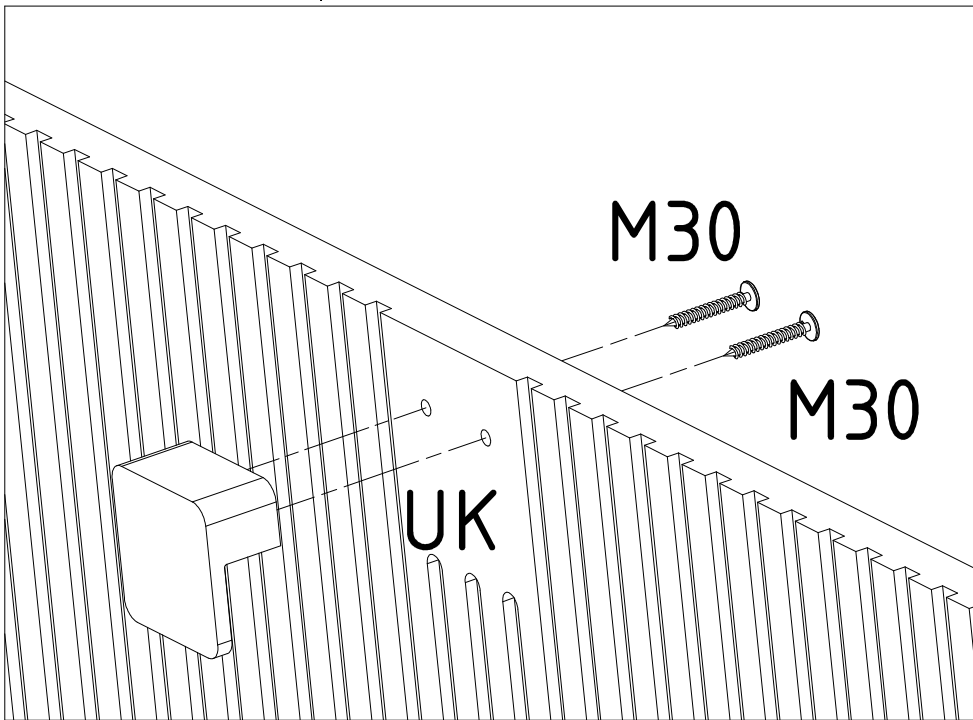
6.



7.



x2



8.

