

Y



x1

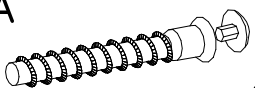
T



4 x 16

x4

A



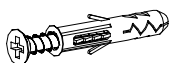
x4

B



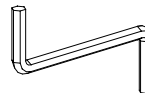
x4

L



x2

Z



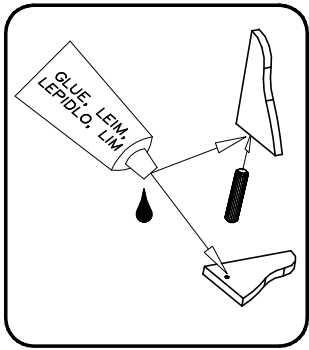
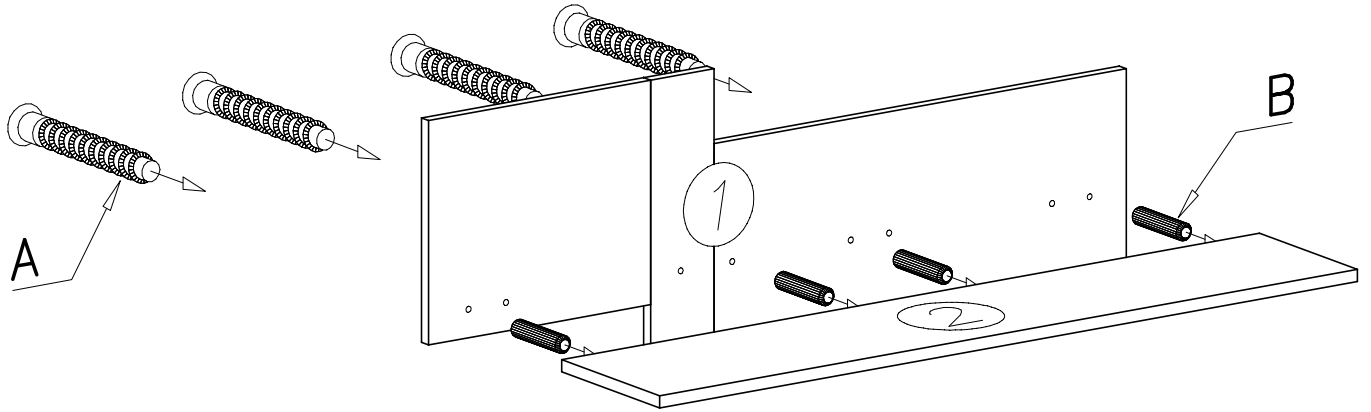
x1

G

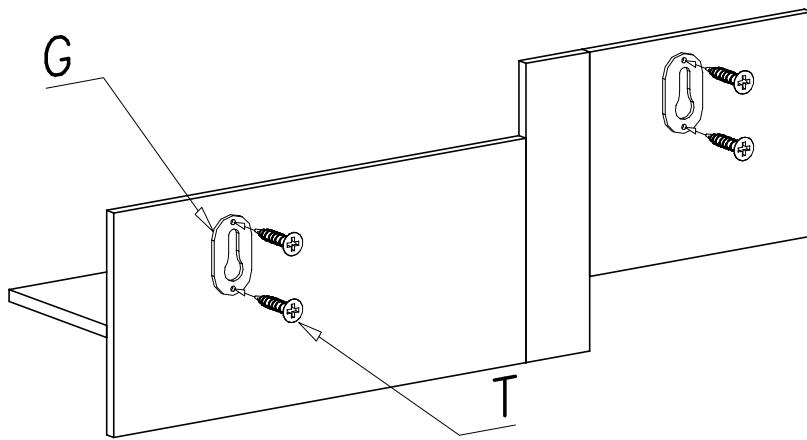


x2

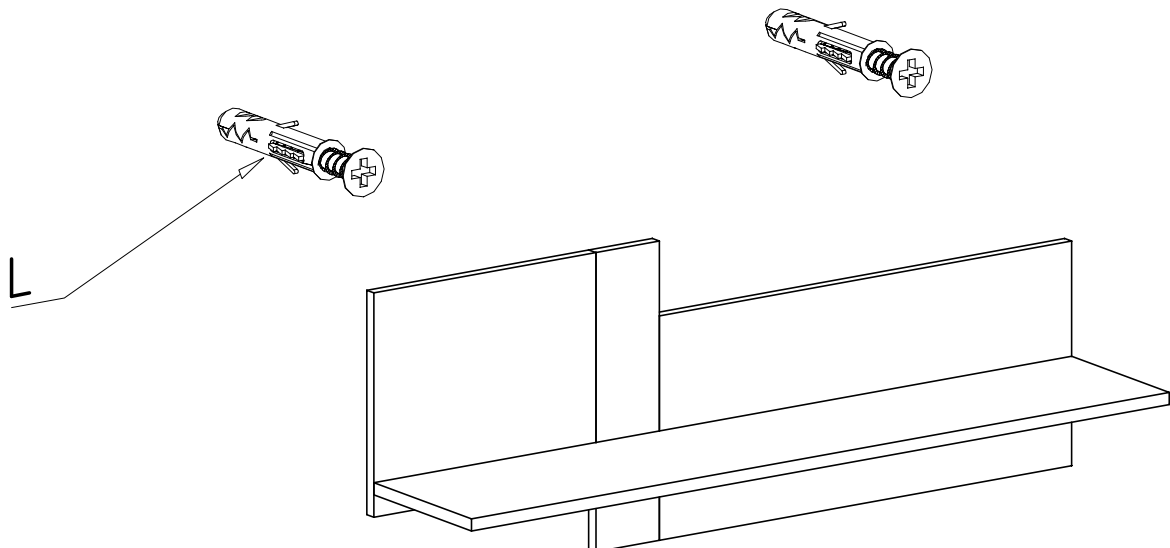
I

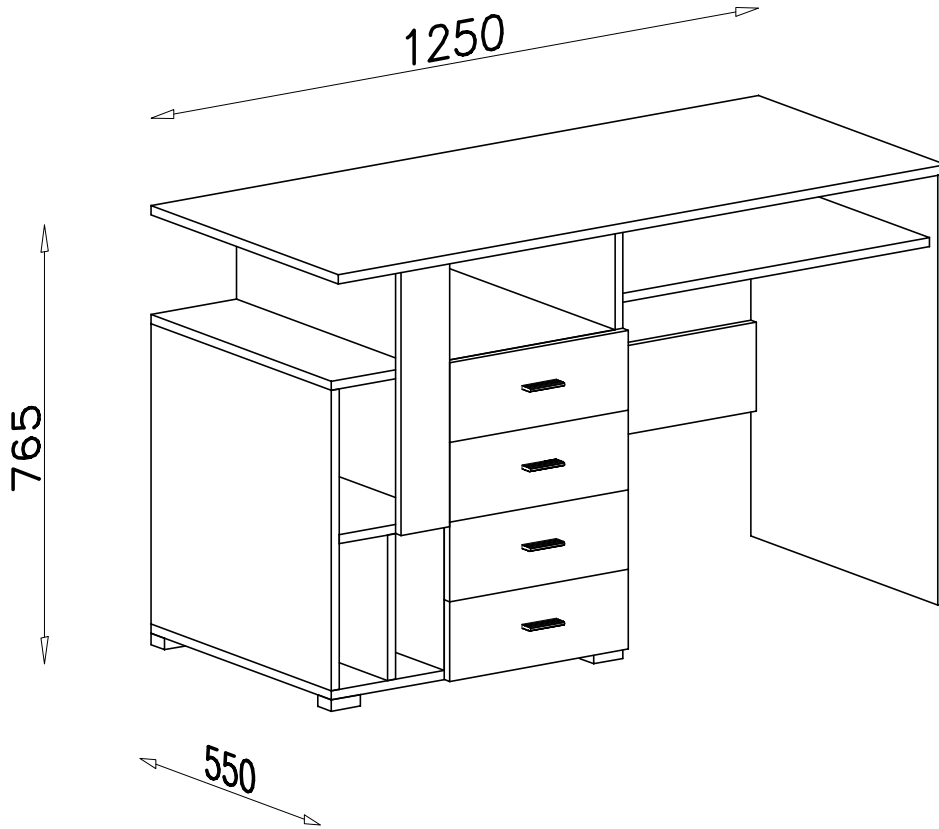
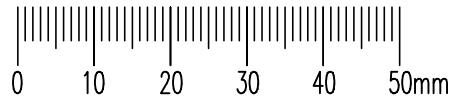
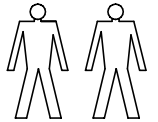
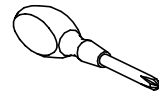
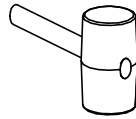
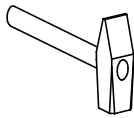
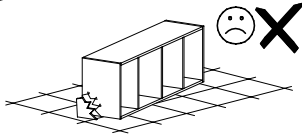
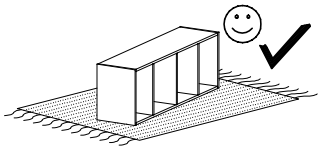


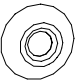
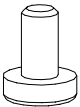
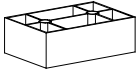
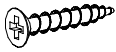



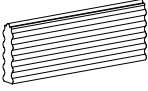
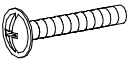
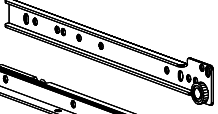
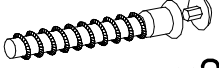



II



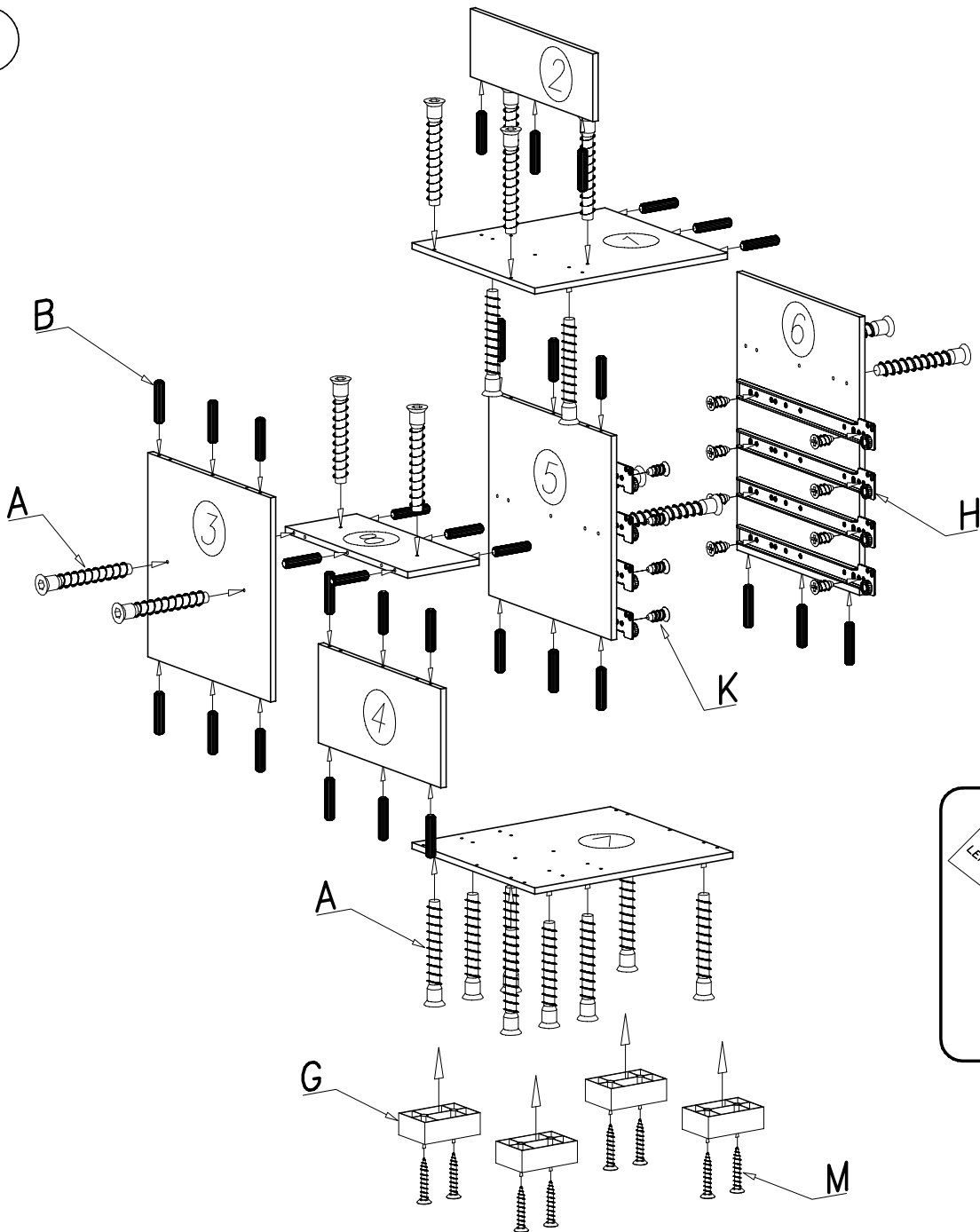
III



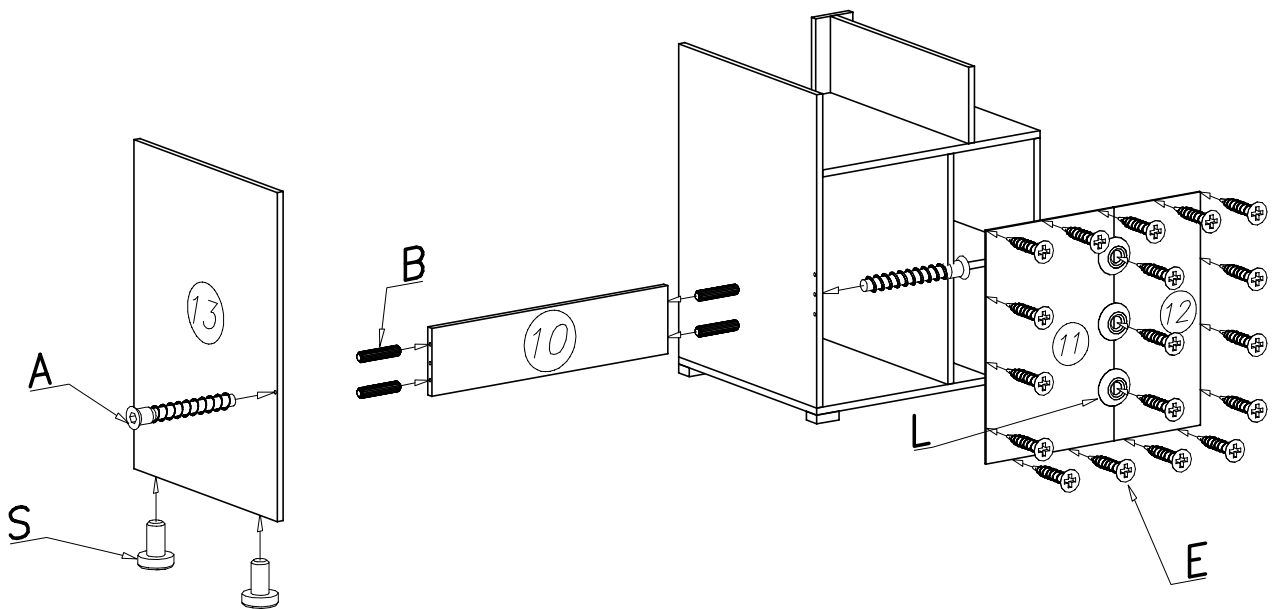


L  x5	S  x2	G  x4	M  4 x 25 x8	K  6 x 13 x20
W  x4	E  3 x 20 x40	U  x4	N  M4 x 22 x8	H  40cm x5
A  x24	B  x80	T  4 x 16 x30	Z  x1	

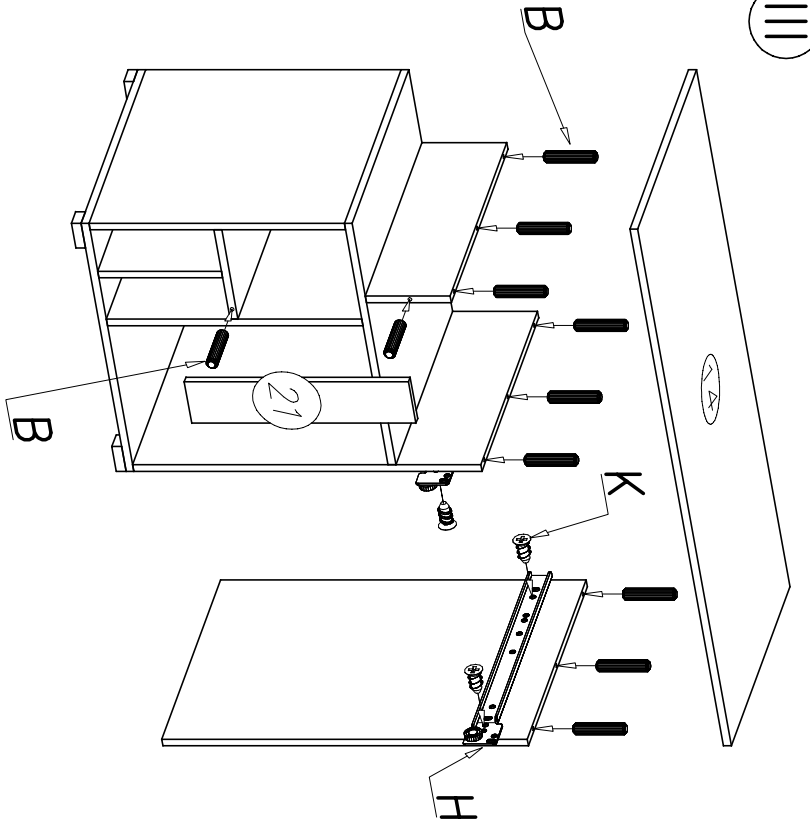
I



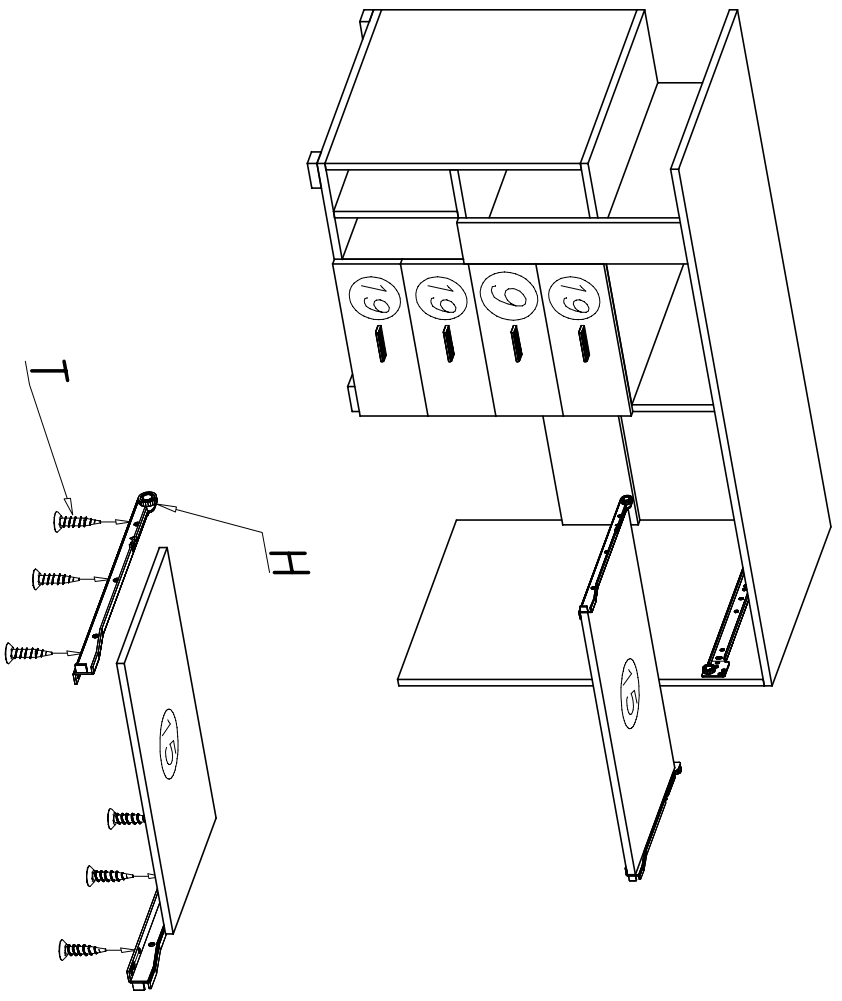
II



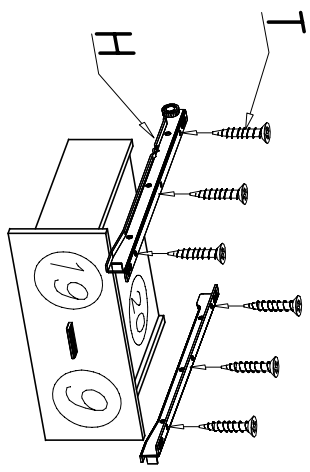
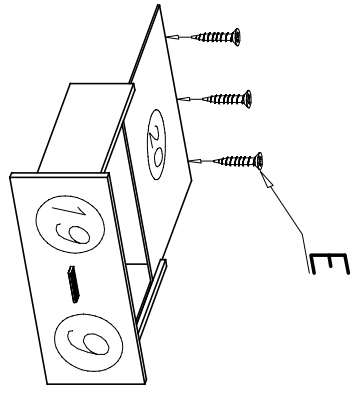
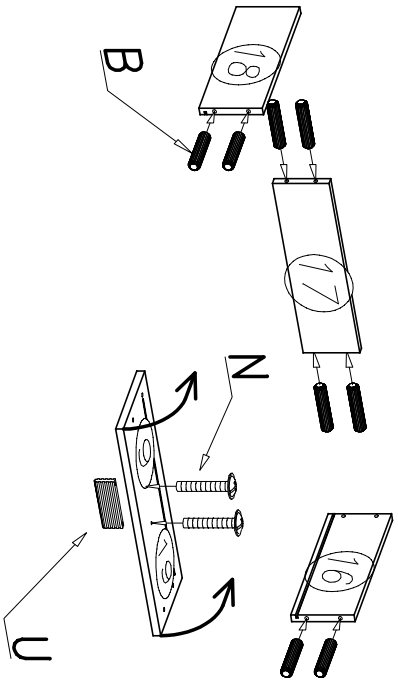
III

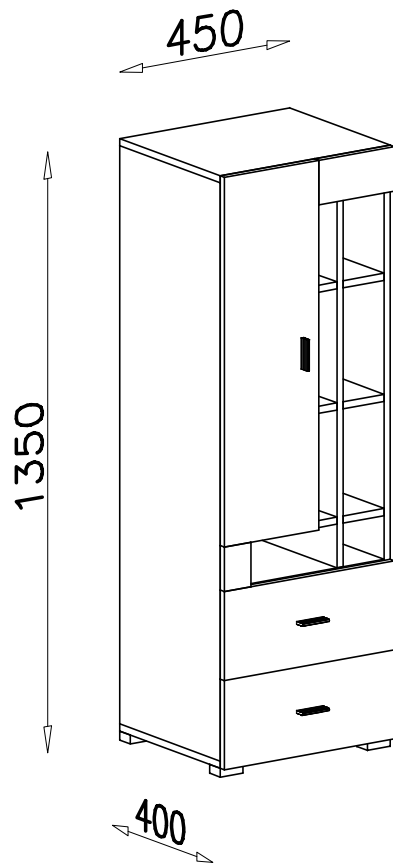
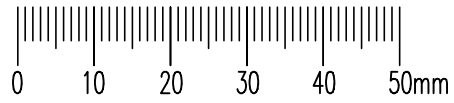
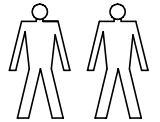
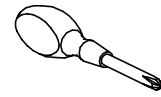
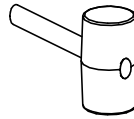
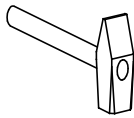
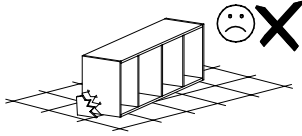
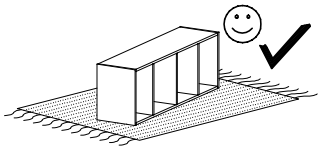



V

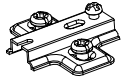


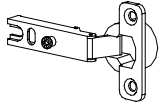
IV

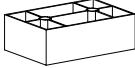






K

 6 x 13 x8

F

 x2

D

 x2

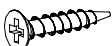
G

 x4


M

 4 x 25 x8

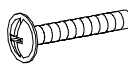
P

 x24


W

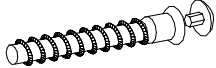
 x2


E

 3 x 20 x40


U

 x3


N

 M4 x 22 x6

H

 35cm x2

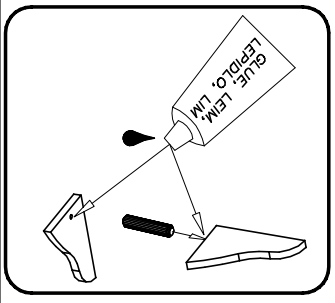
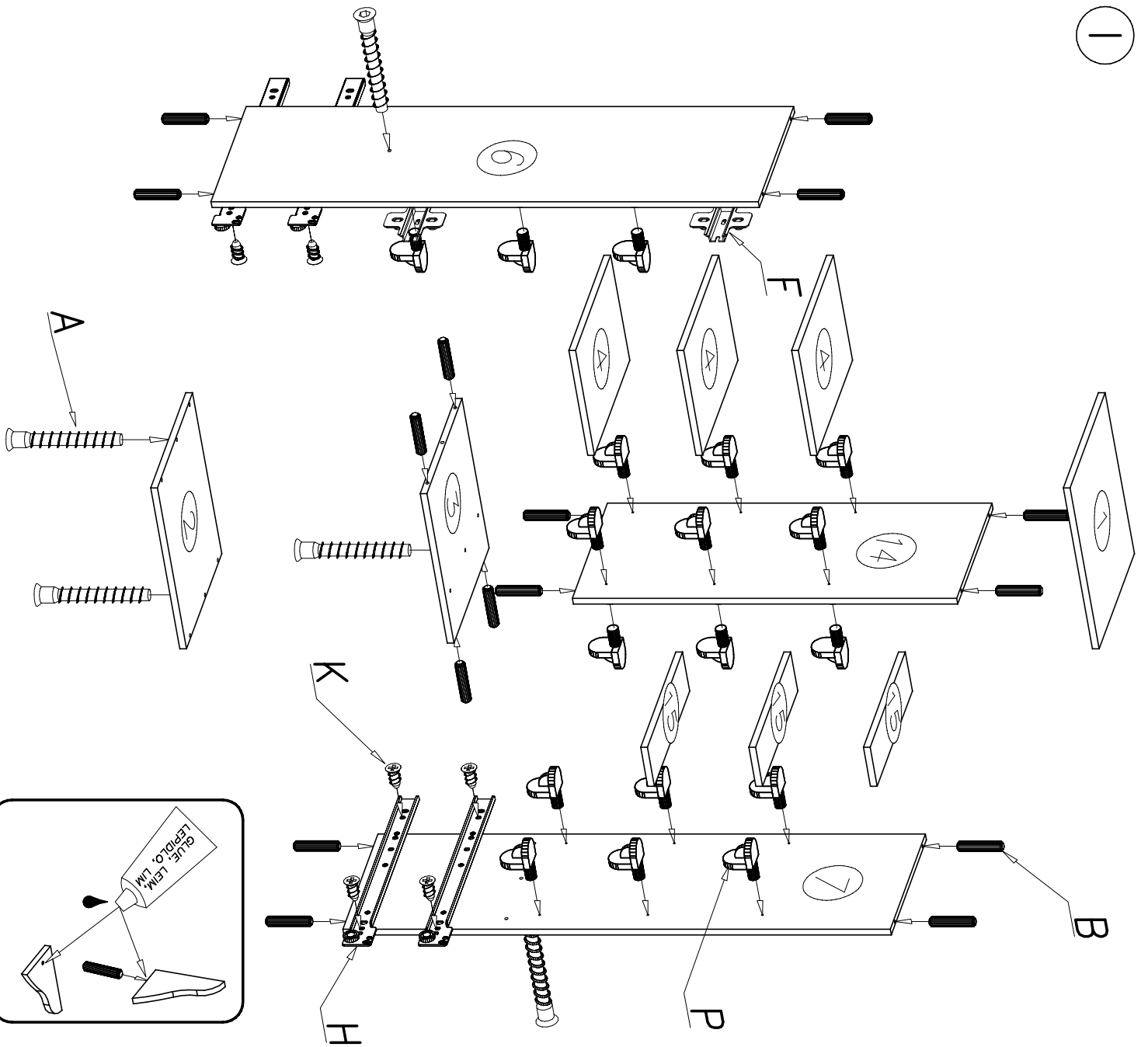
A

 x5

B

 x37

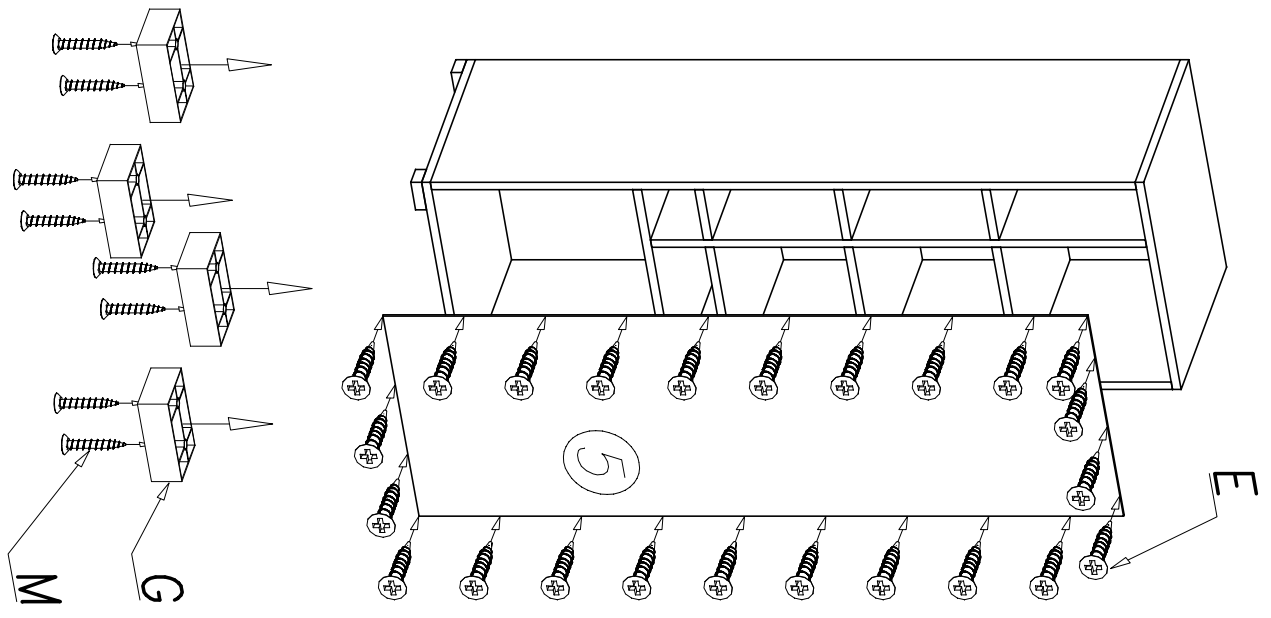
T

 4 x 16 x16

Z

 x1

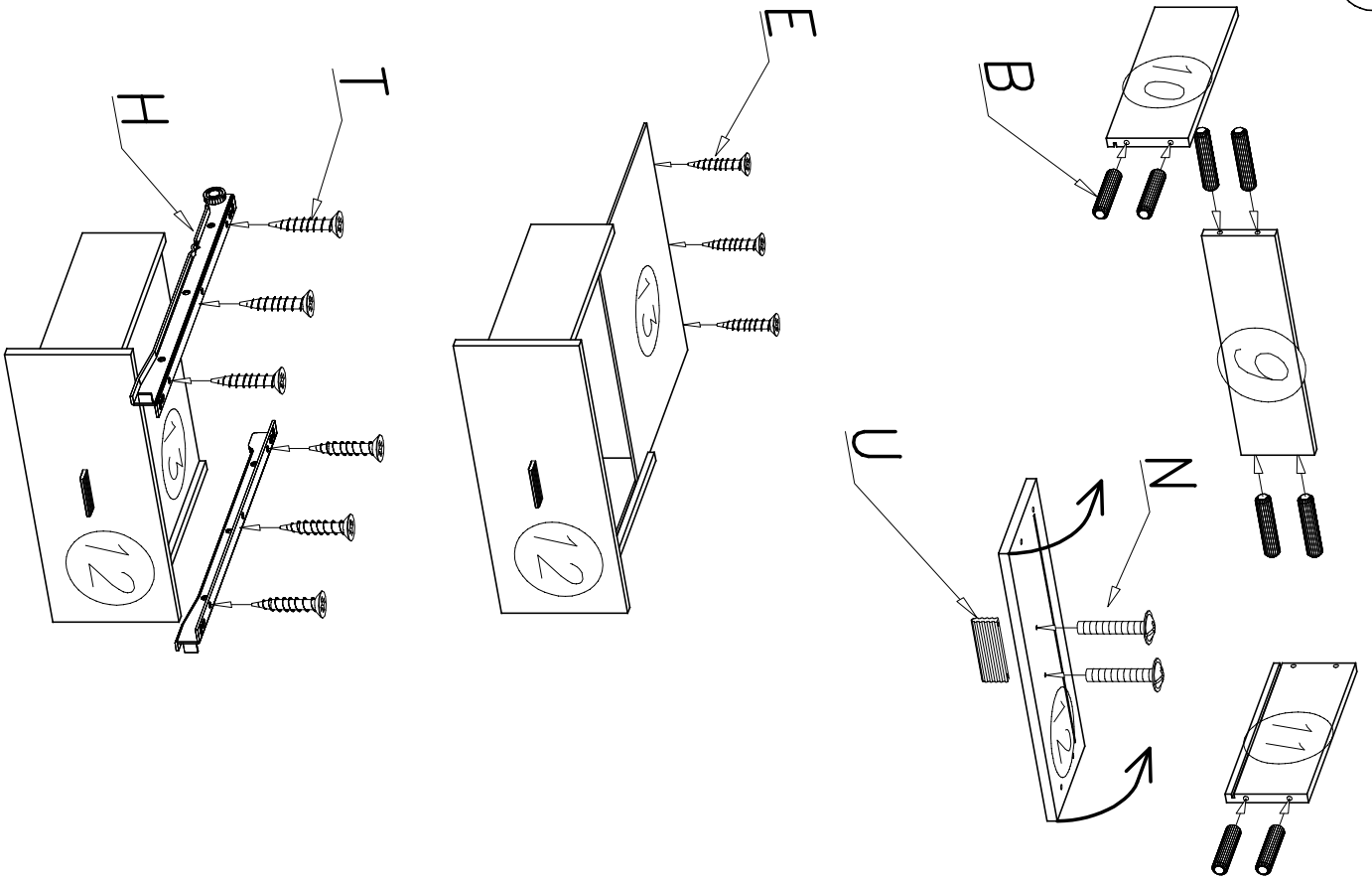
I



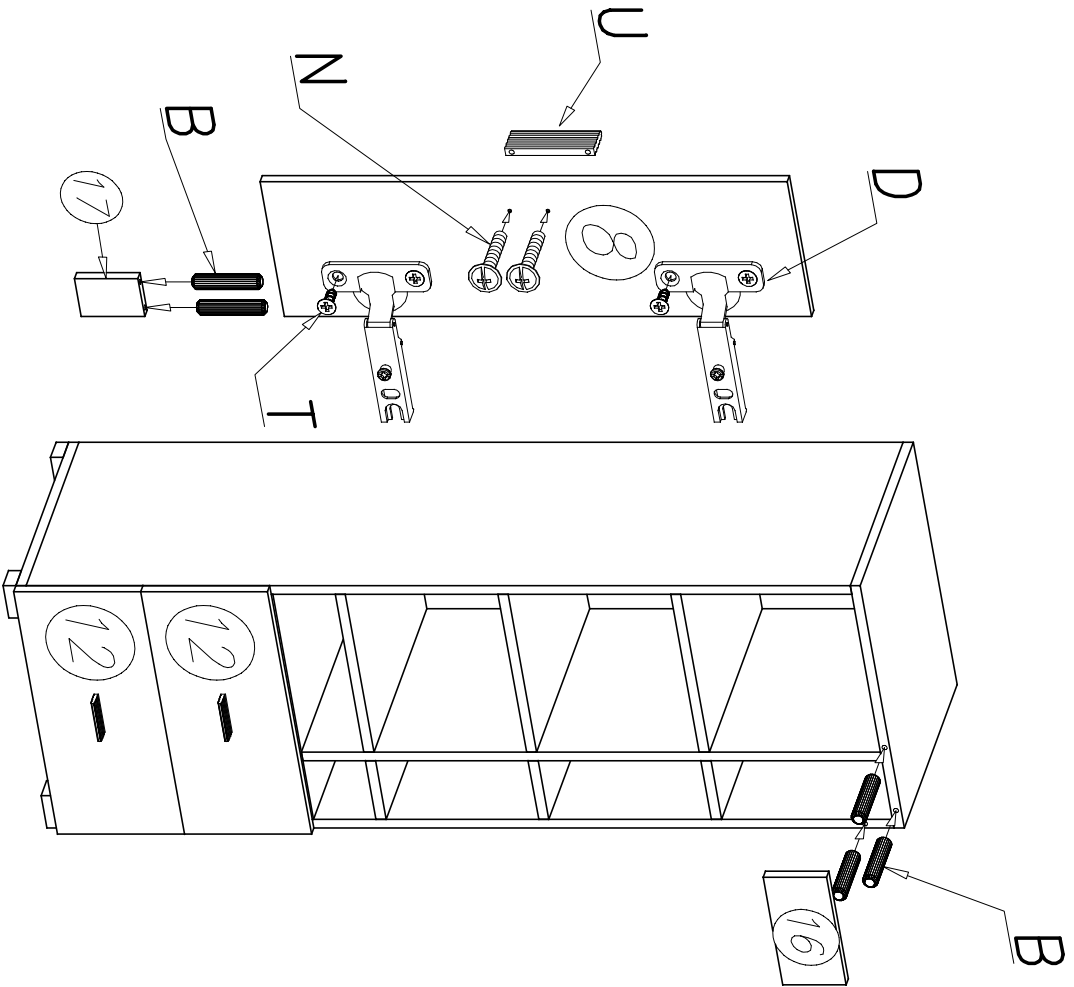
II

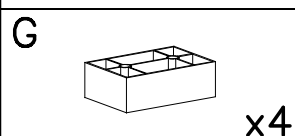
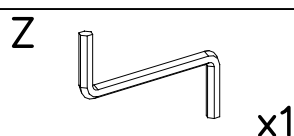
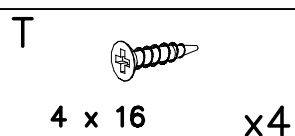
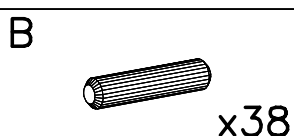
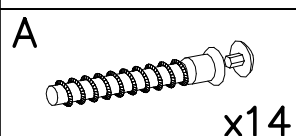
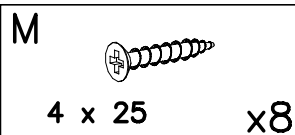
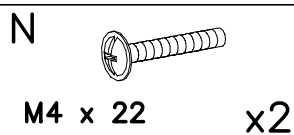
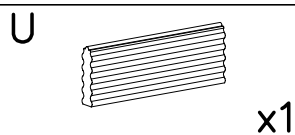
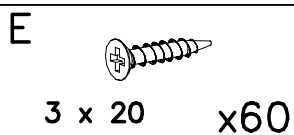
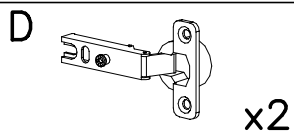
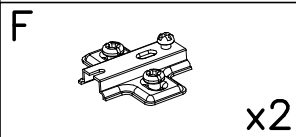
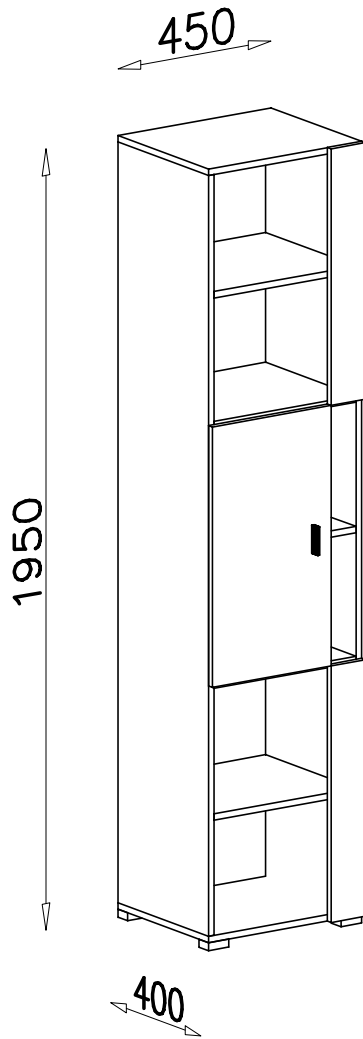
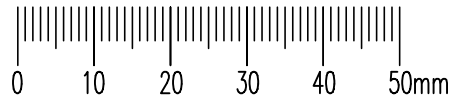
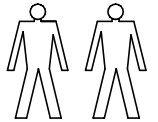
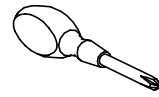
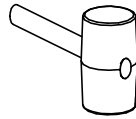
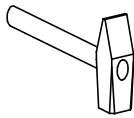
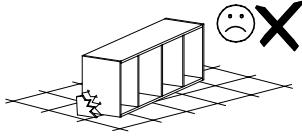
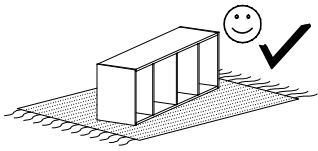


III

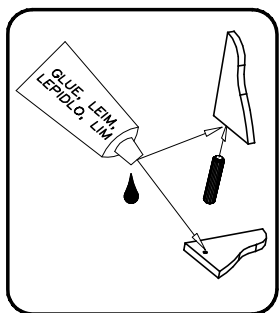
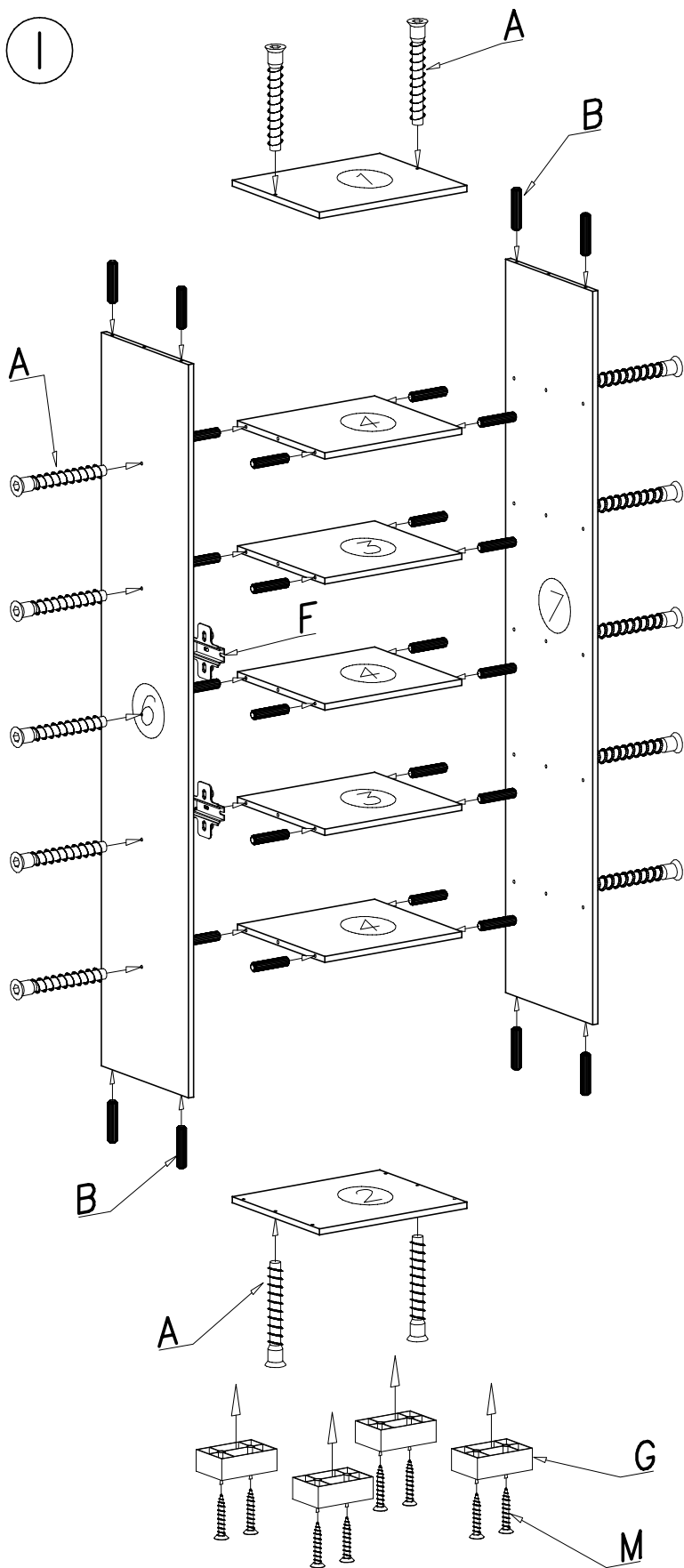


IV

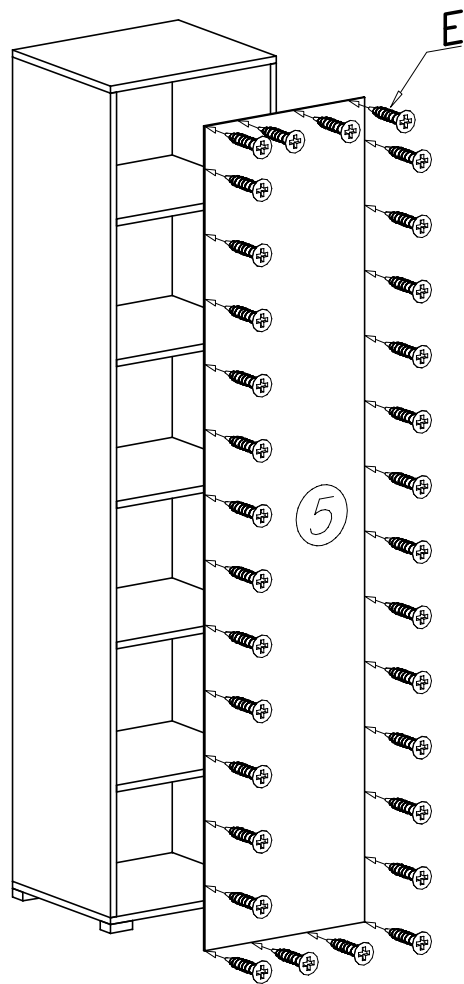




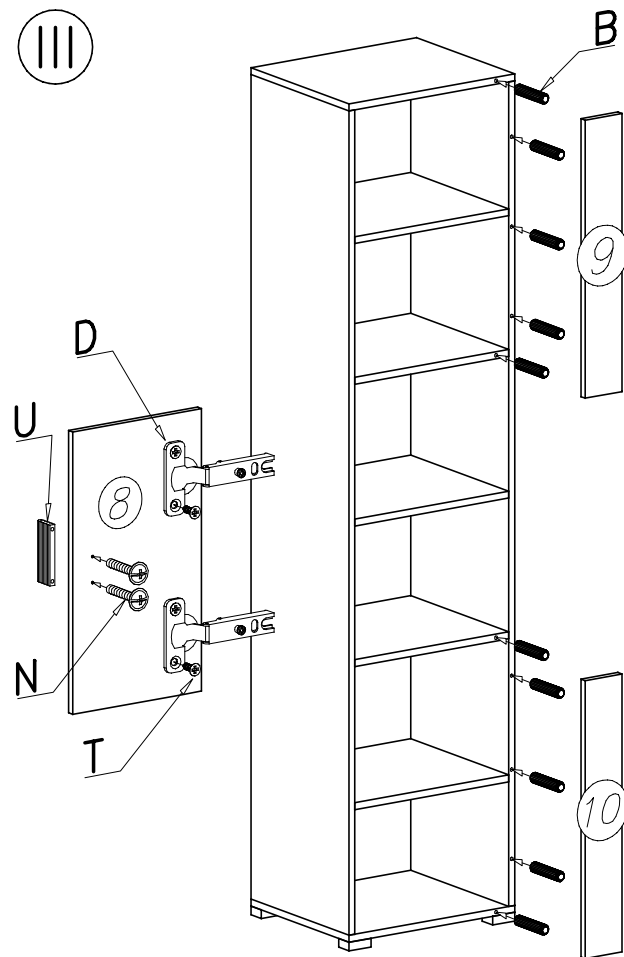
I

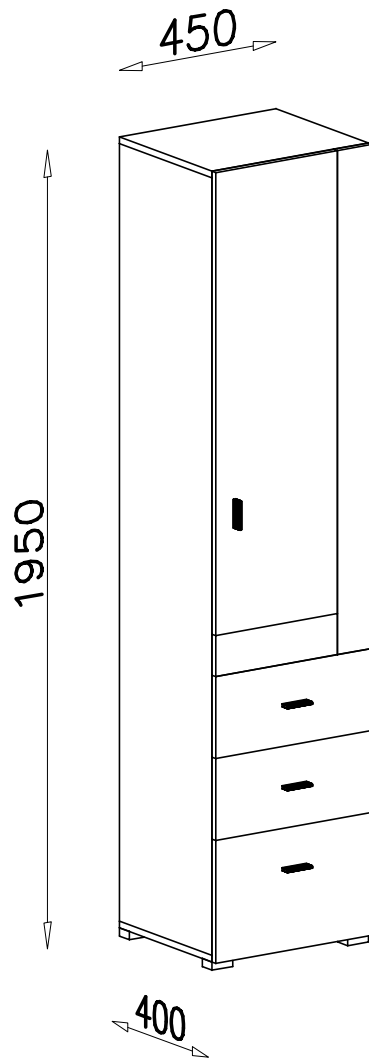
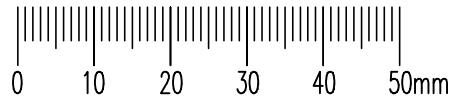
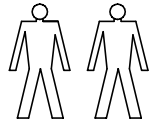
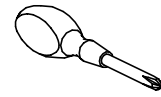
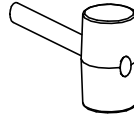
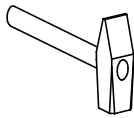
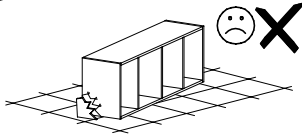
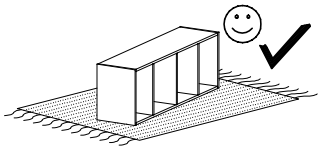



II

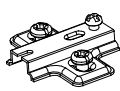


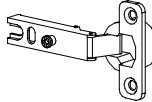
III

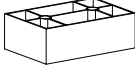


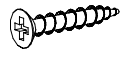



K 
6 x 13 x12

F  x2

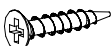
D  x2


G  x4

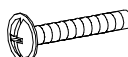
M  4 x 25 x8


P  x12

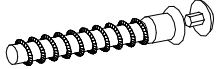
W  GLUE KLEJ x2


E  3 x 20 x60


U  x4


N  M4 x 22 x8


H  x3

A  x6

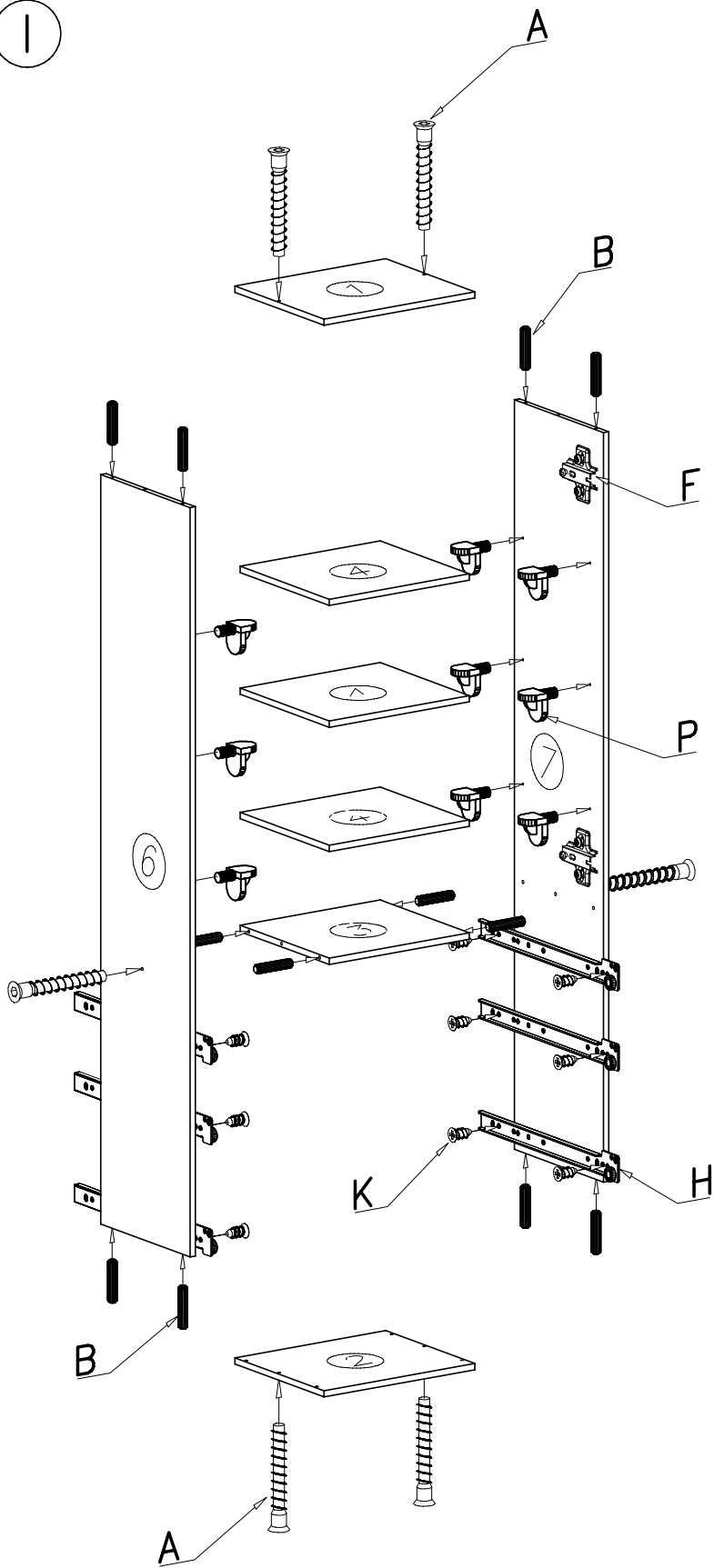
B  x36

T  4 x 16 x22

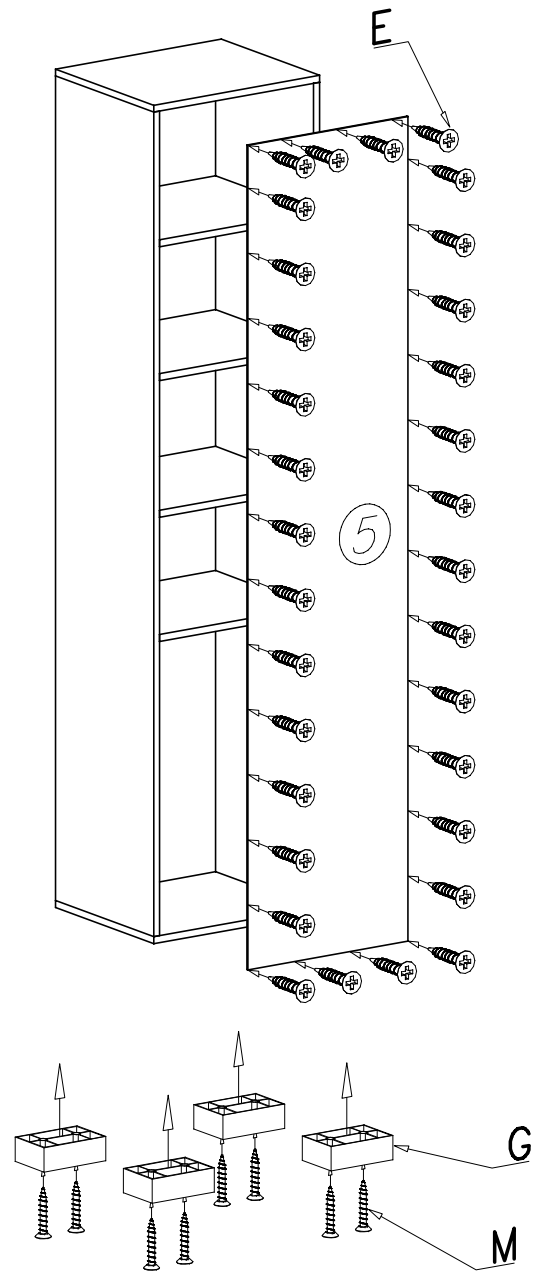
Z  x1

 35cm x3

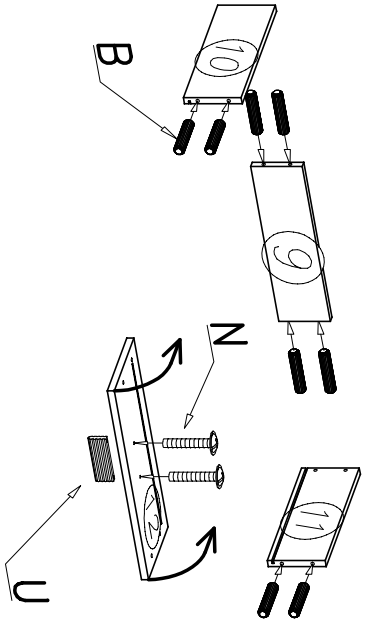
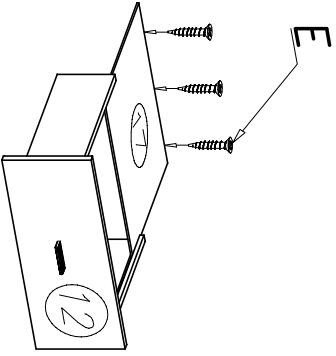
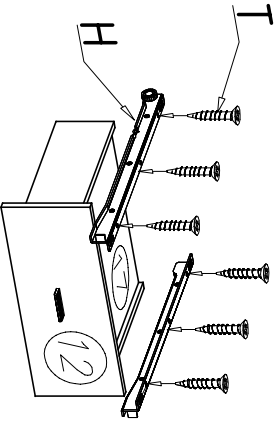
I



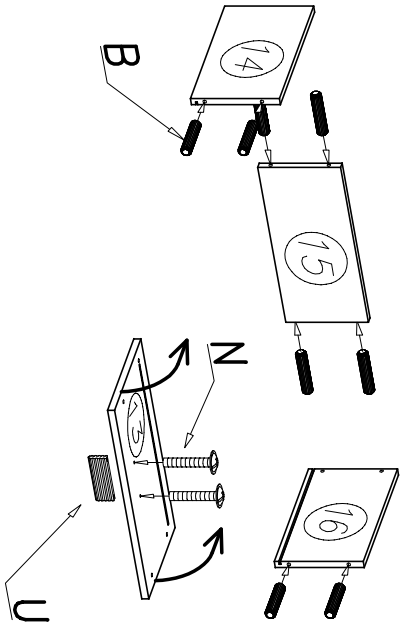
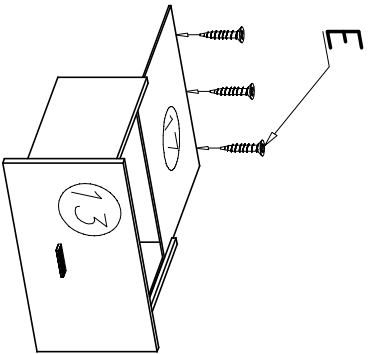
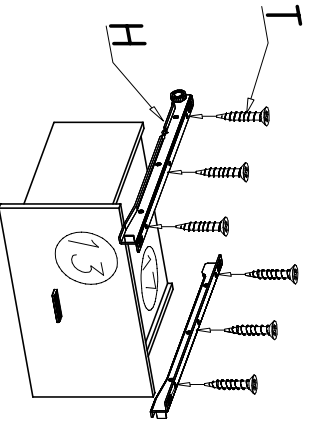
II



III



IV



V

