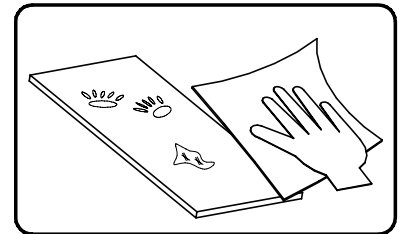
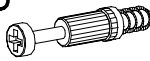
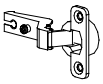

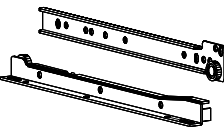



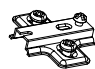



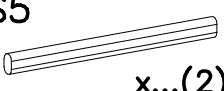


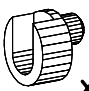

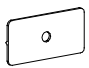
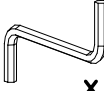

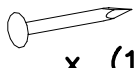
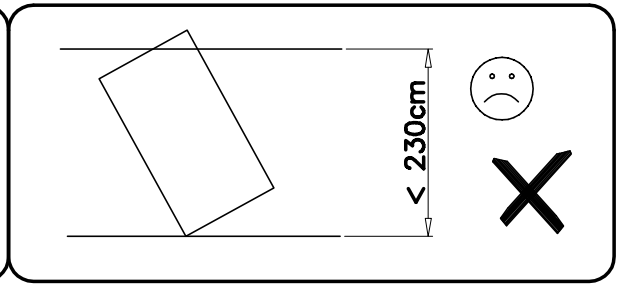
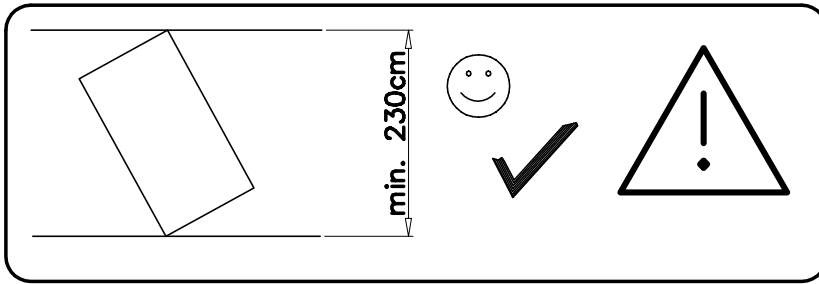
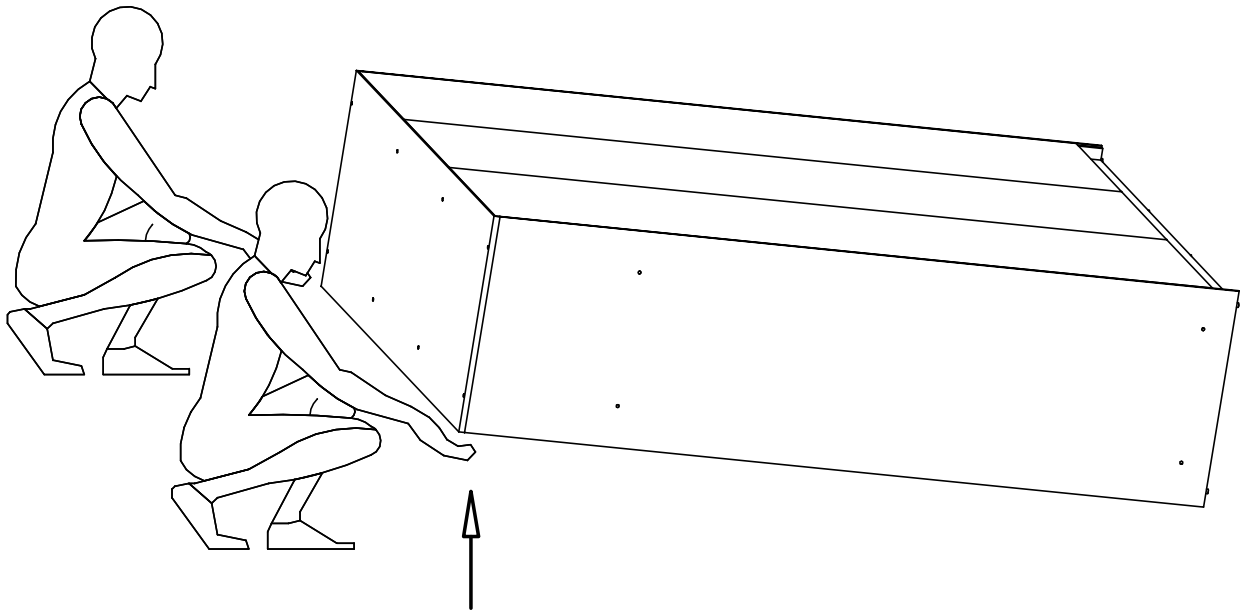


No.	L[mm]	W[mm]	T[mm]	Stc.	Colli
1	575	1490	16	1	2/3
2	571	1457	16	1	2/3
3	1980	575	16	1	1/3
4	1980	575	16	1	1/3
5	1894	571	16	1	1/3
6	1894	571	16	1	1/3
7	475	571	16	1	2/3
8	475	545	16	2	2/3
9	475	552	16	2	2/3
10	70	1457	16	2	2/3

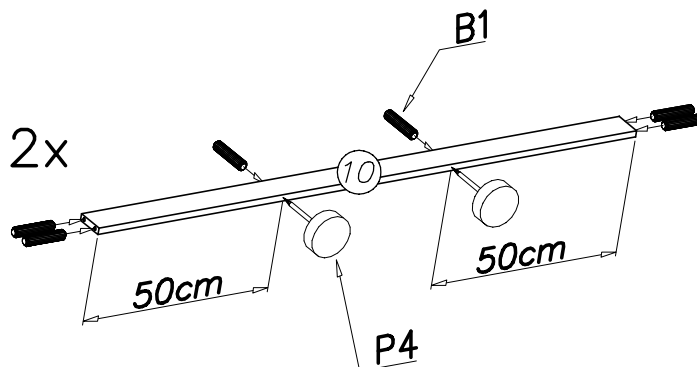
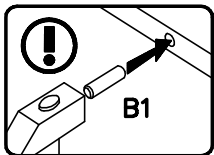
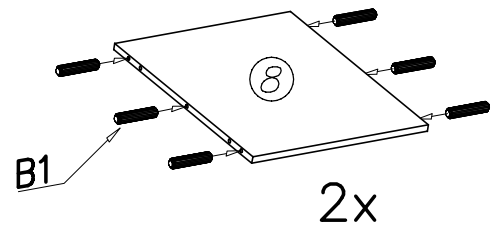
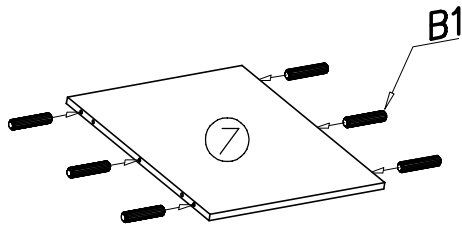
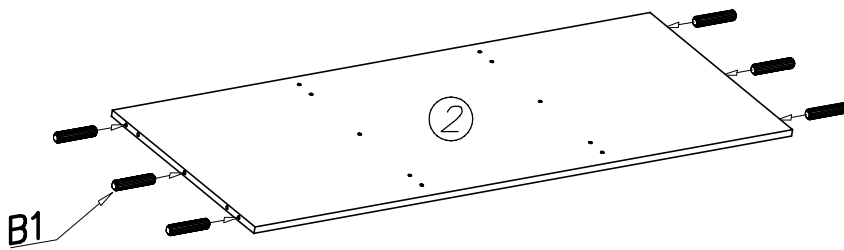
No.	L[mm]	W[mm]	T[mm]	Stc.	Colli
11	1920	488	3	1	1/3
12	1920	492	3	2	1/3
13	198	469	16	3	3/3
14	120	450	16	3	2/3
15	120	450	16	3	2/3
16	100	417	16	3	2/3
17	458	434	3	3	1/3
18	1888	469	16	1	3/3
19	1888	469	16	1	3/3
20	1260	469	16	1	3/3





			K5  x...(6)	C4  Z350D x...(9)	E17  x...(6)
H7  x...(3)	A1  Ø7x50 x...(34)	F1  x...(9)	K1  Ø15x12 x...(6)	D4  PZ350D x...(9)	I9  x...(34)
	G4  4x16 x...(18)	G29  6x11 x...(12)	S5  x...(2)	G6  3x13 x...(28)	I7  x...(6)
S4  x...(4)	B1  Ø8x35 x...(78)	S17  x...(24)	W2  x...(1)	P4  x...(8)	W4  x...(120)

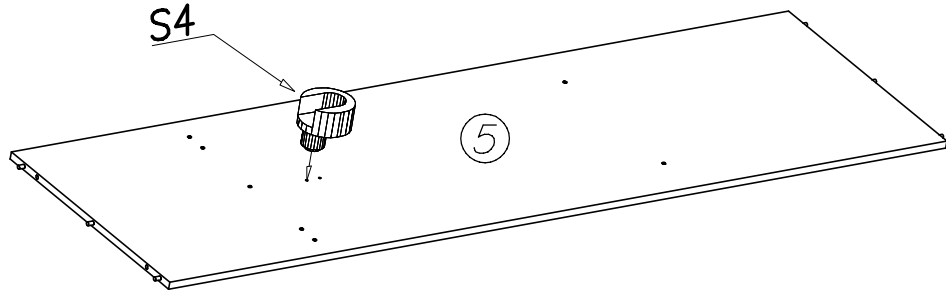
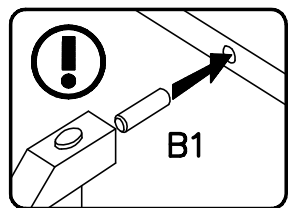
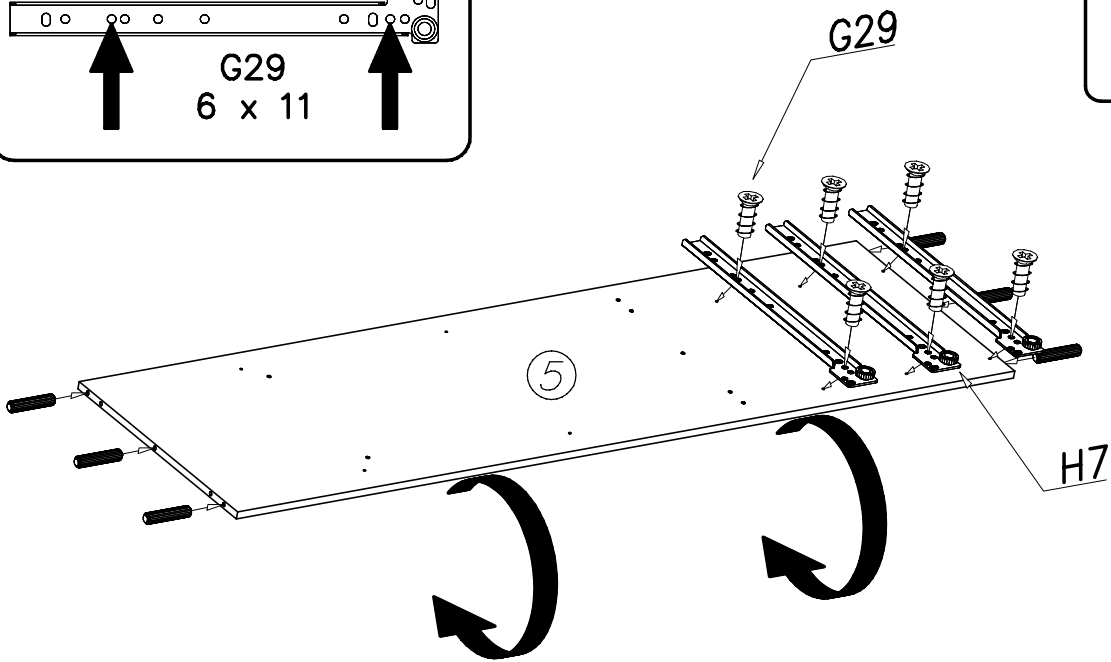
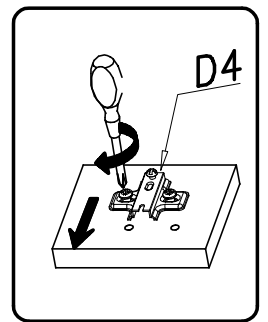
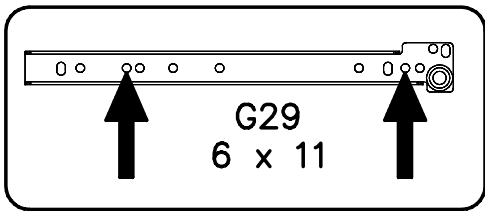
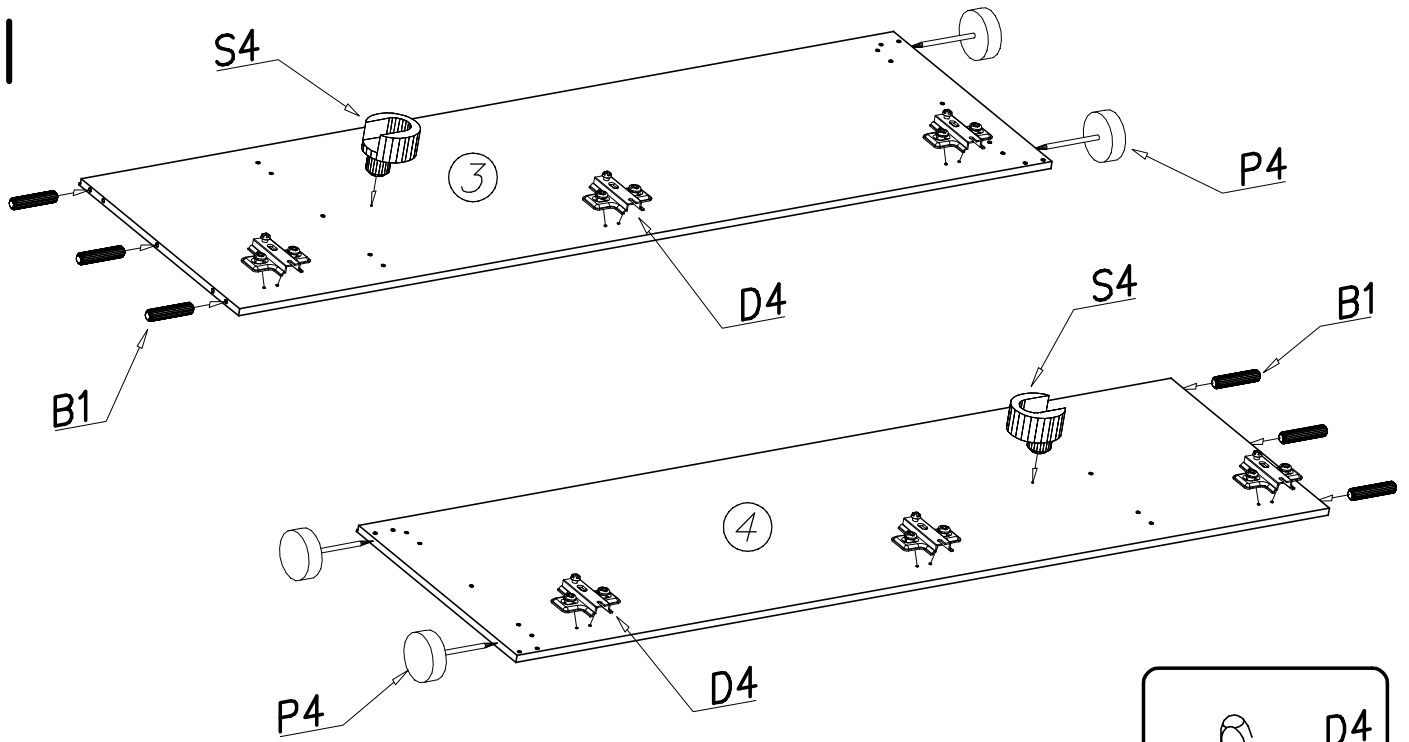


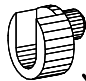

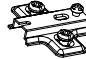

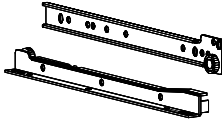

1



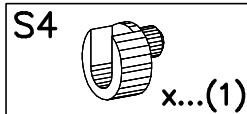
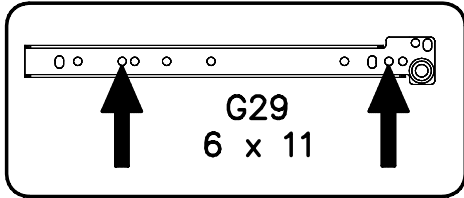
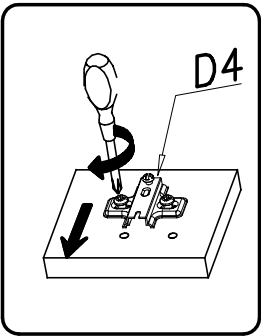
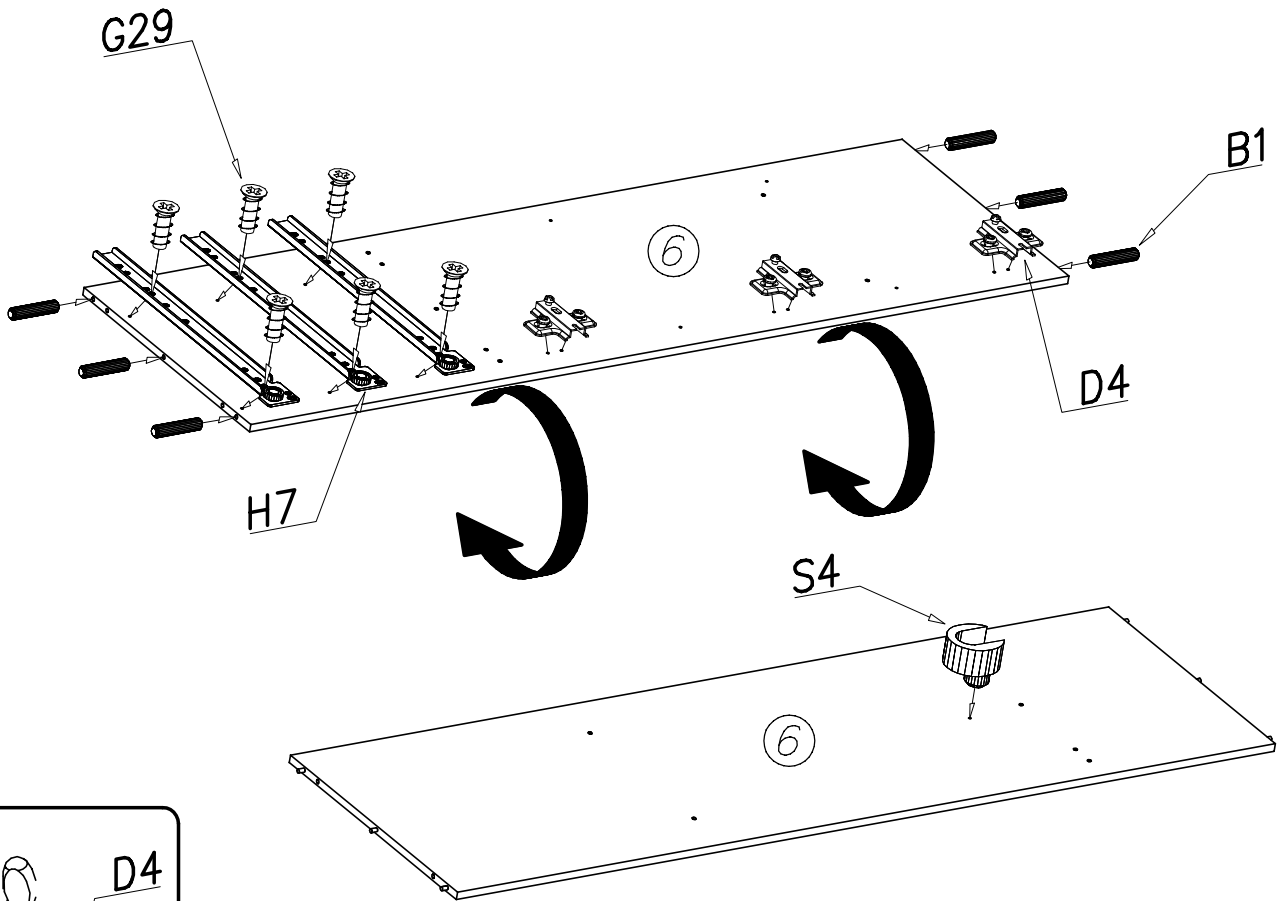
P4		x...(4)
B1		x...(36)
		ø8x35


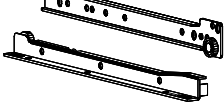
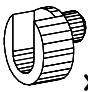
II



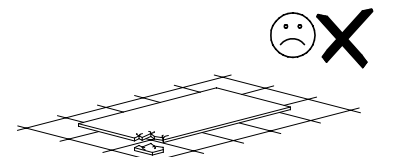
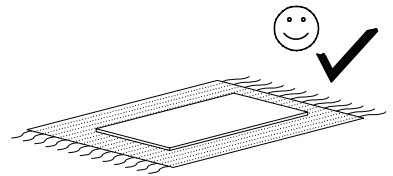
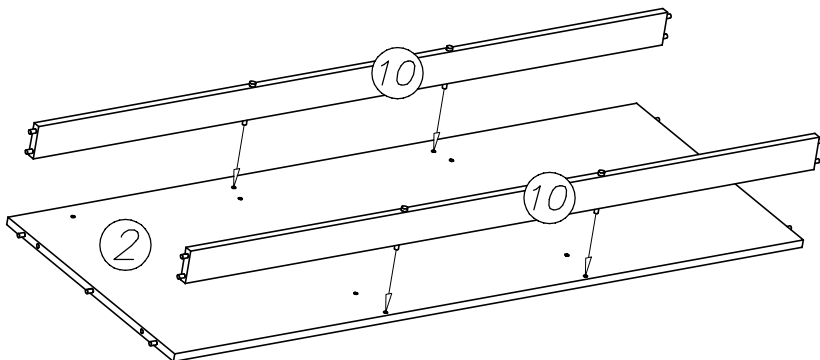
S4	 x...(3)	P4	 x...(4)	D4	 PZ350D x...(6)	G29	 6x11 x...(6)	H7	 x...(3)
							 ø8x35 x...(12)		

III



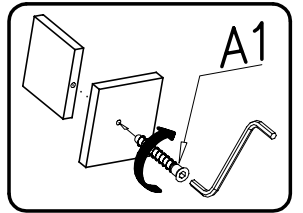
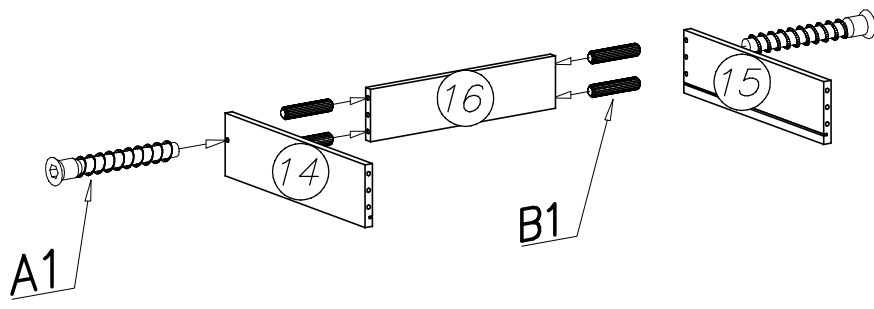
G29 6x11 x...(6)		H7 x...(3)	
S4 x...(1)		D4 PZ350D x...(3)	B1 ø8x35 x...(6)

IV

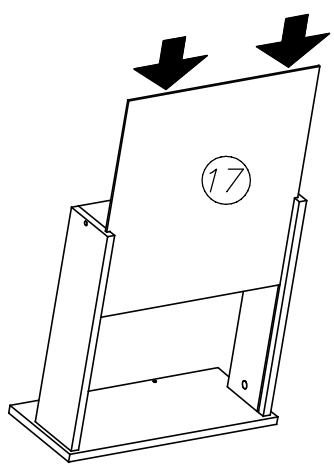


V

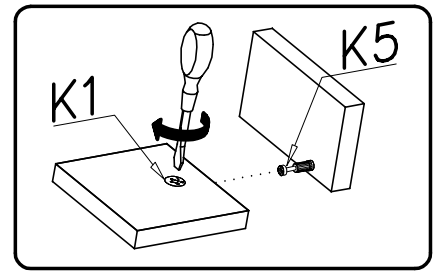
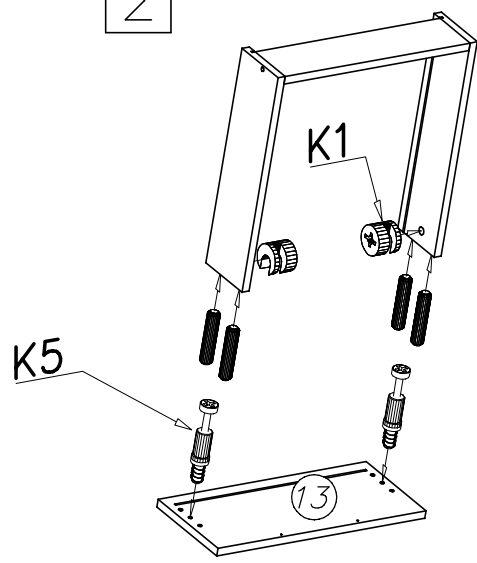
1



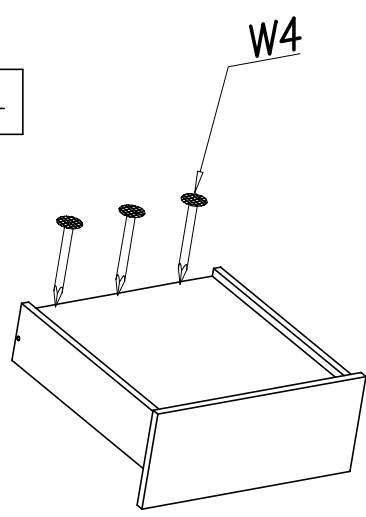
3



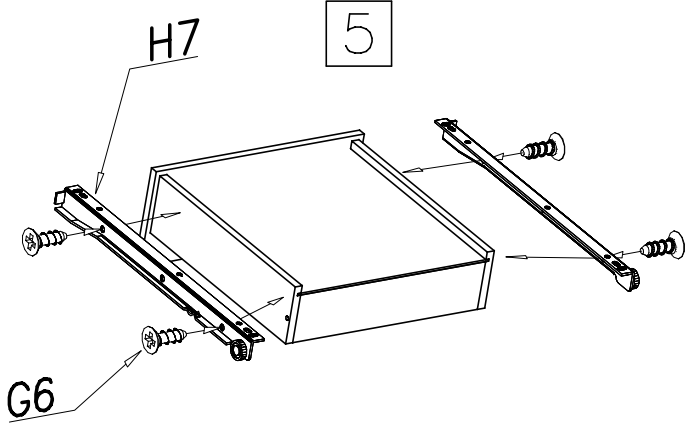
2



4

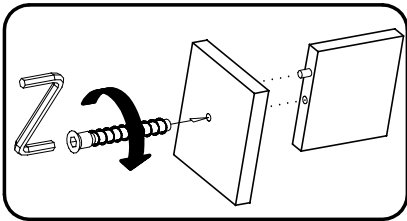
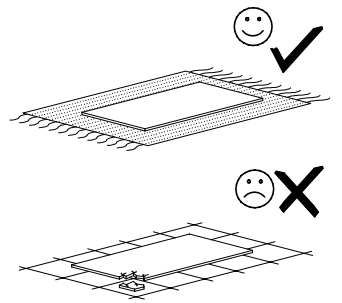
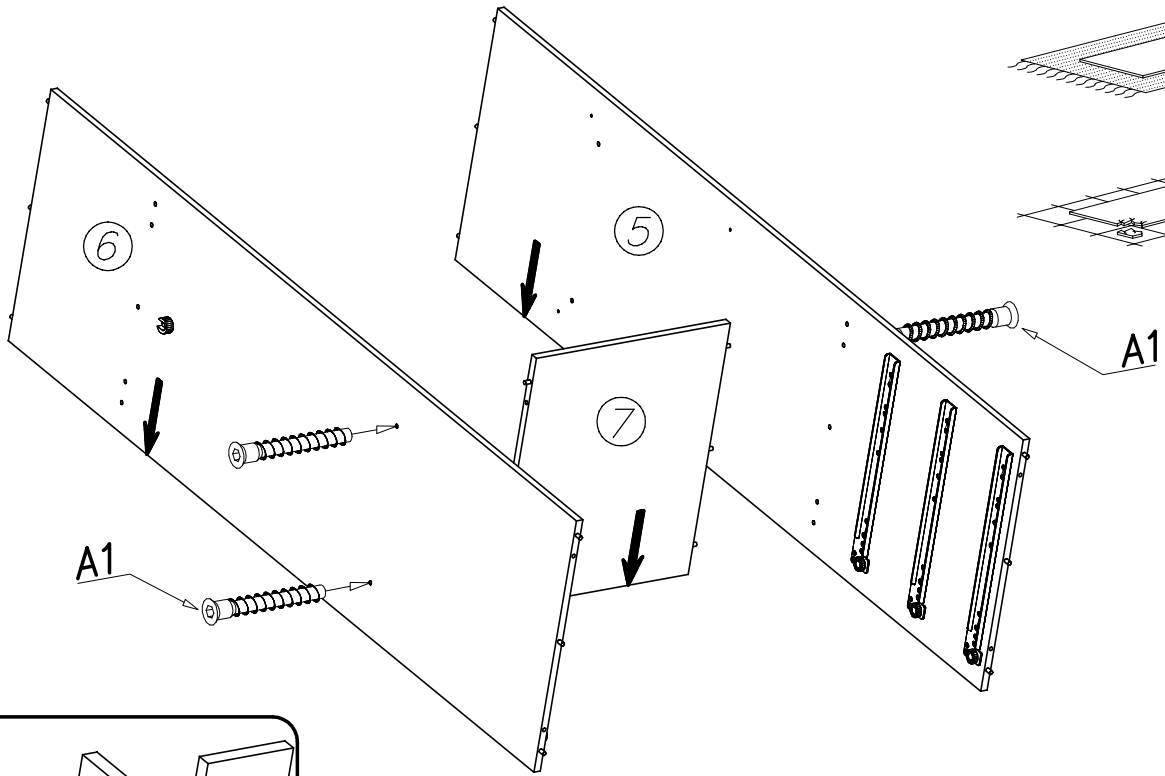


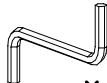

5



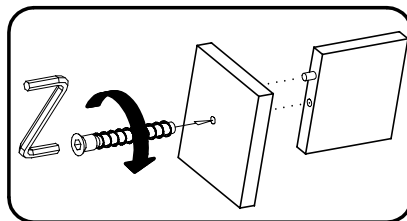
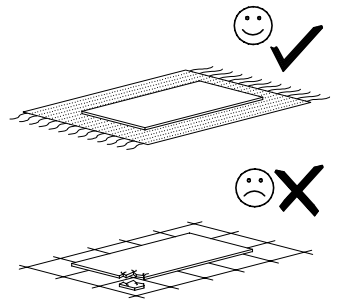
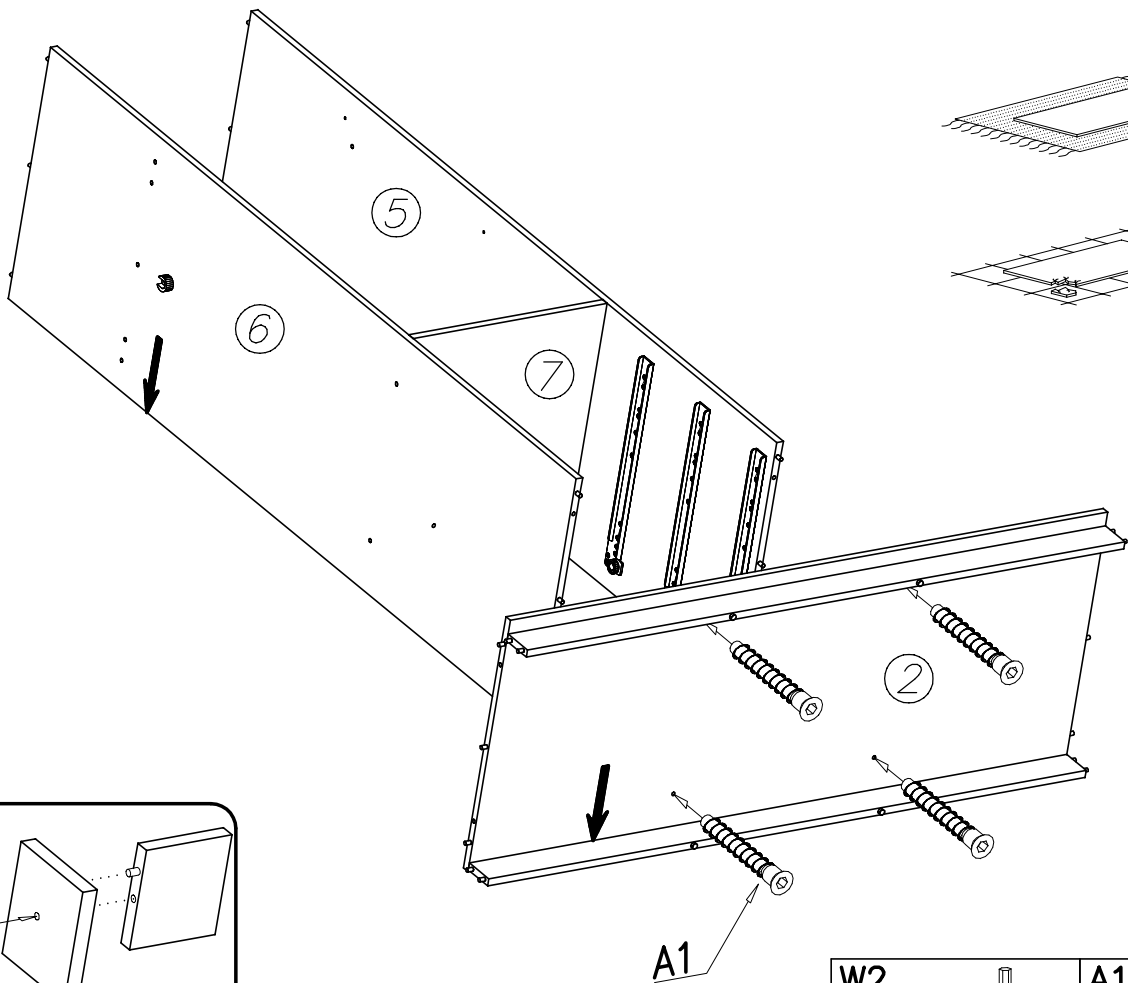
<p>H7</p>	<p>G6</p> <p>3x13 x...(12)</p>	<p>W4</p> <p>x...(15)</p>	<p>K1</p> <p>ø15x12 x...(6)</p>
<p>x...(6)</p>	<p>B1</p> <p>ø8x35 x...(24)</p>	<p>A1</p> <p>ø7x50 x...(6)</p>	<p>K5</p> <p>x...(6)</p>

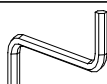

VI



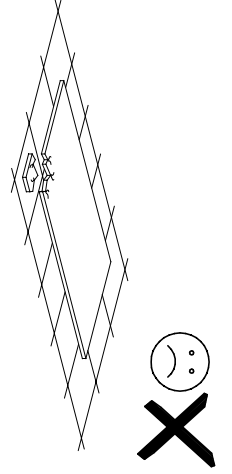
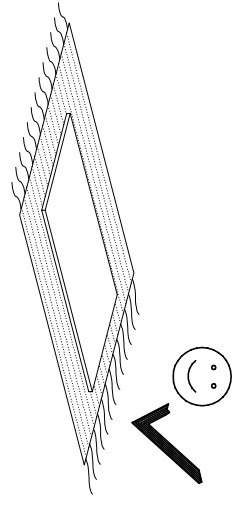
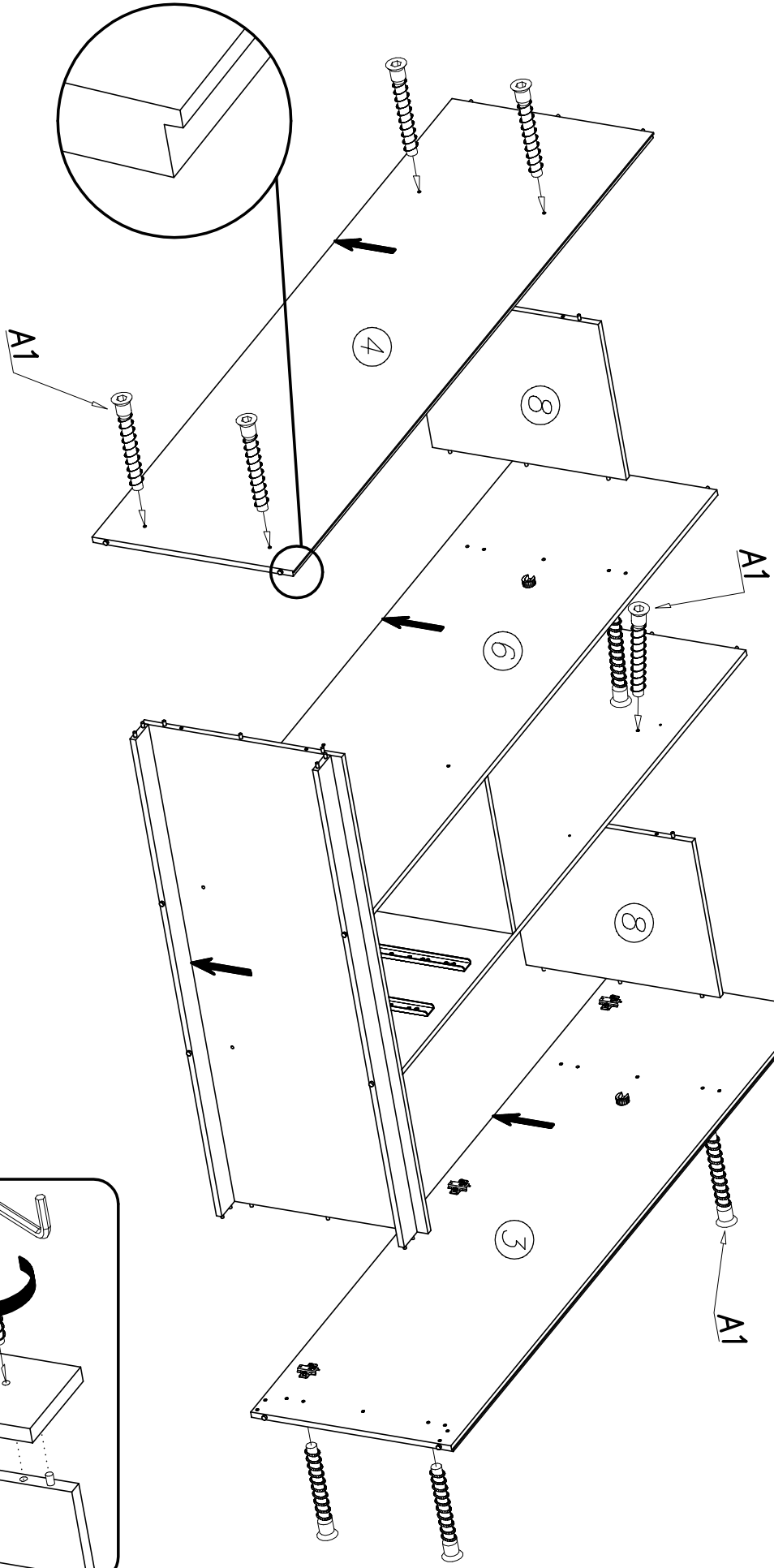
W2		A1	
	x...(1)	ø7x50	x...(4)

VII

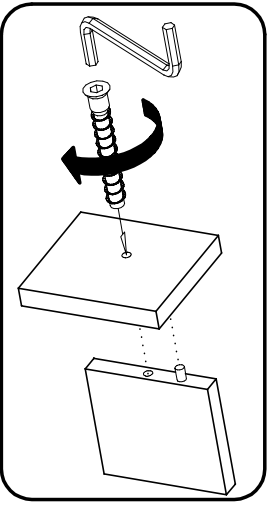


W2		A1	
	x...(1)	ø7x50	x...(4)

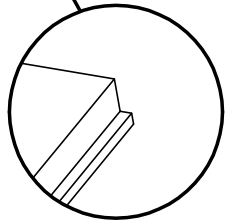
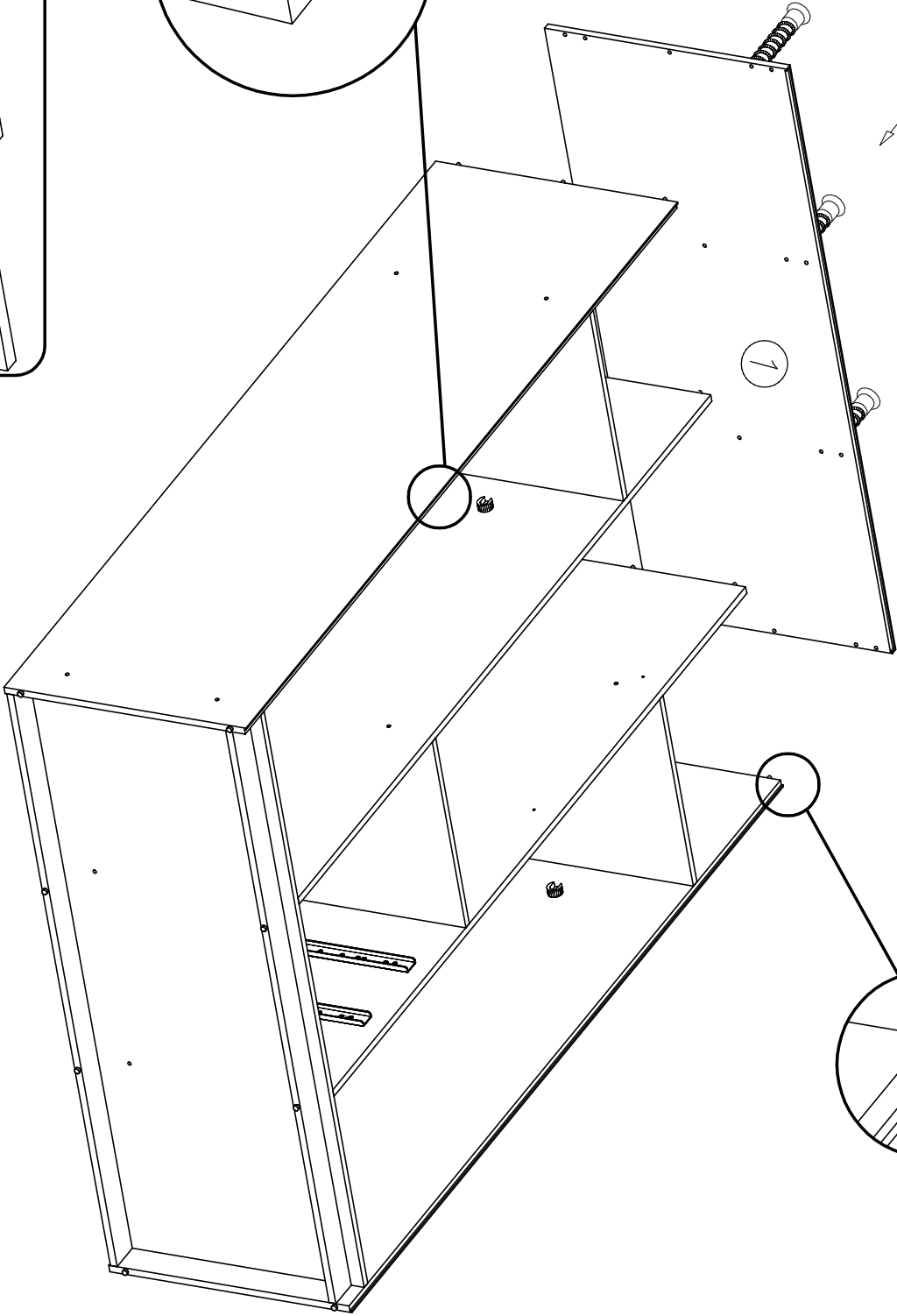
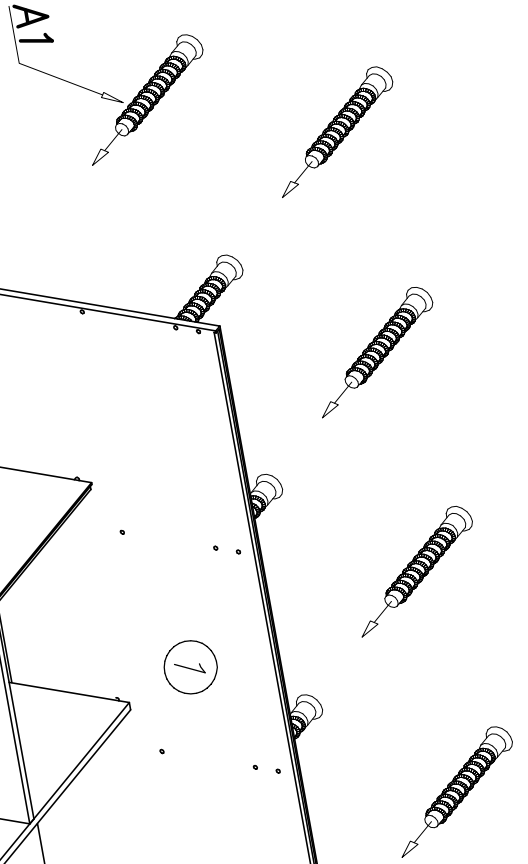
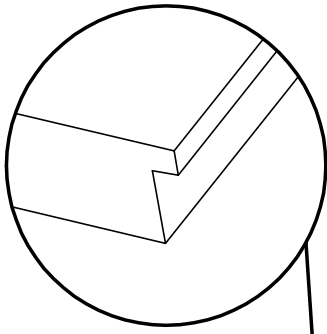
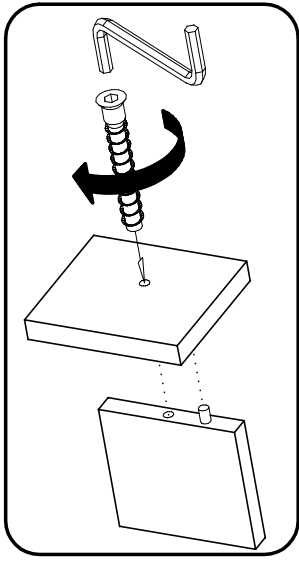
VIII



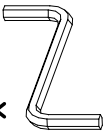
- | | |
|---------|----------------|
| W2 | A1 |
| | |
| x...(1) | ø7x50 x...(12) |



IX

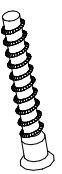


W2



x...(1)

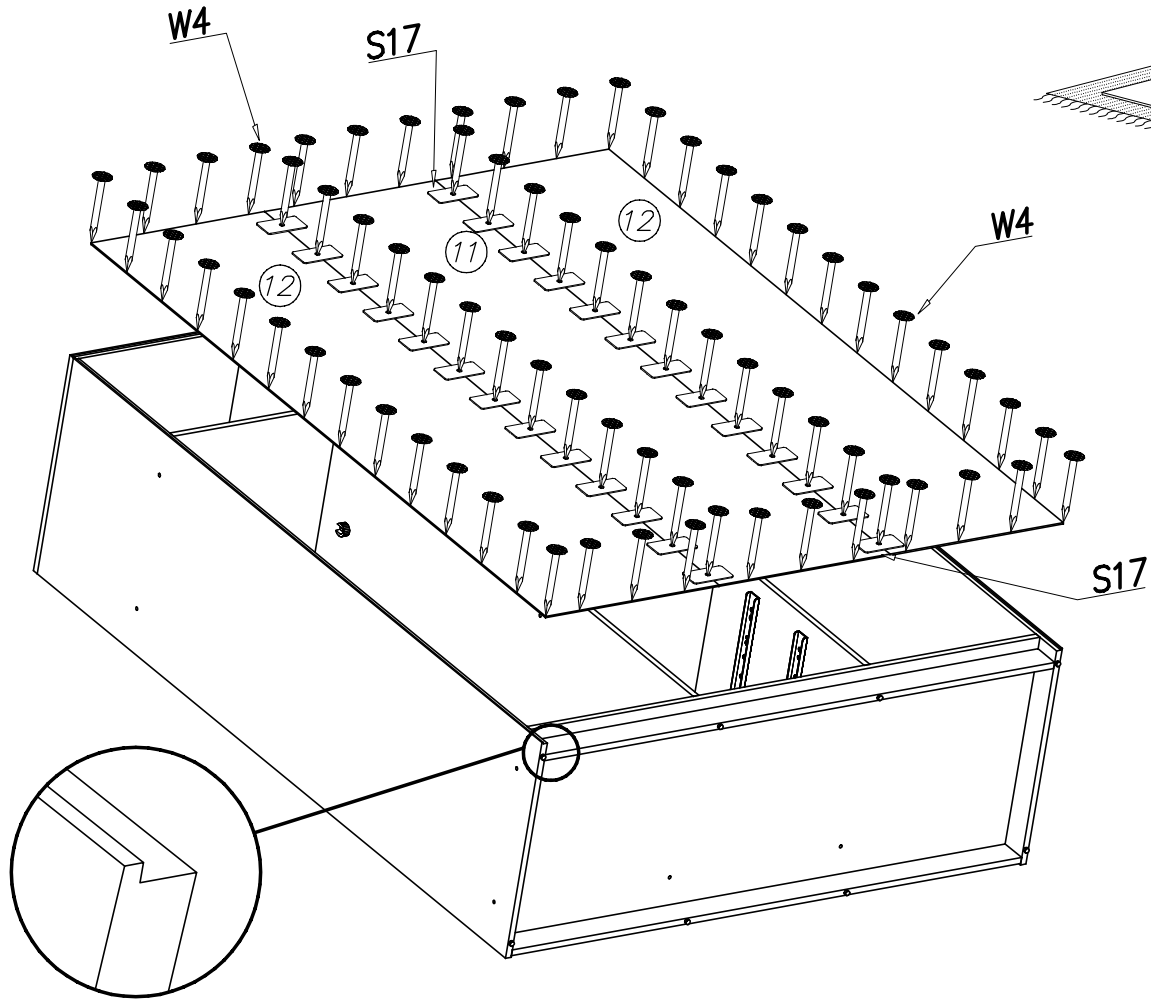
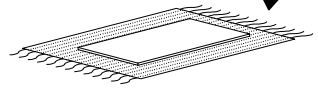
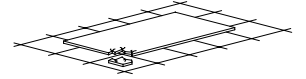
A1



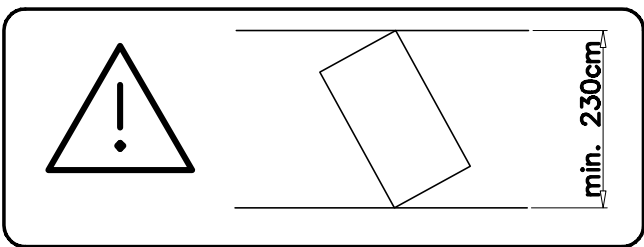
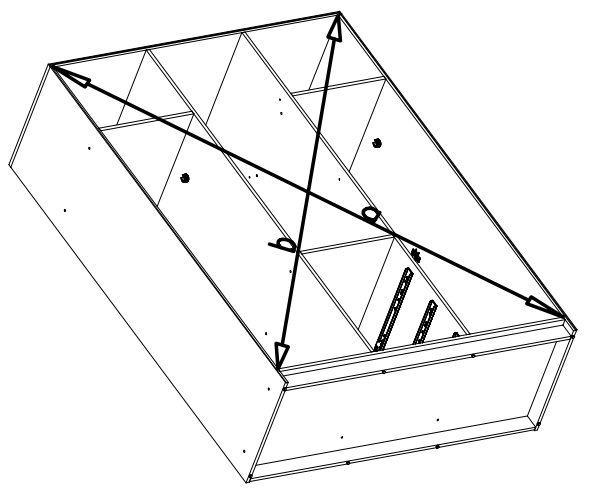
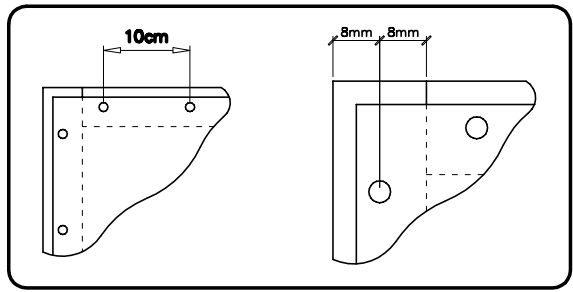
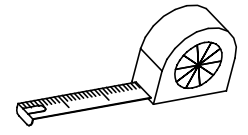
ø7x50

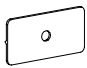

x...(8)

X

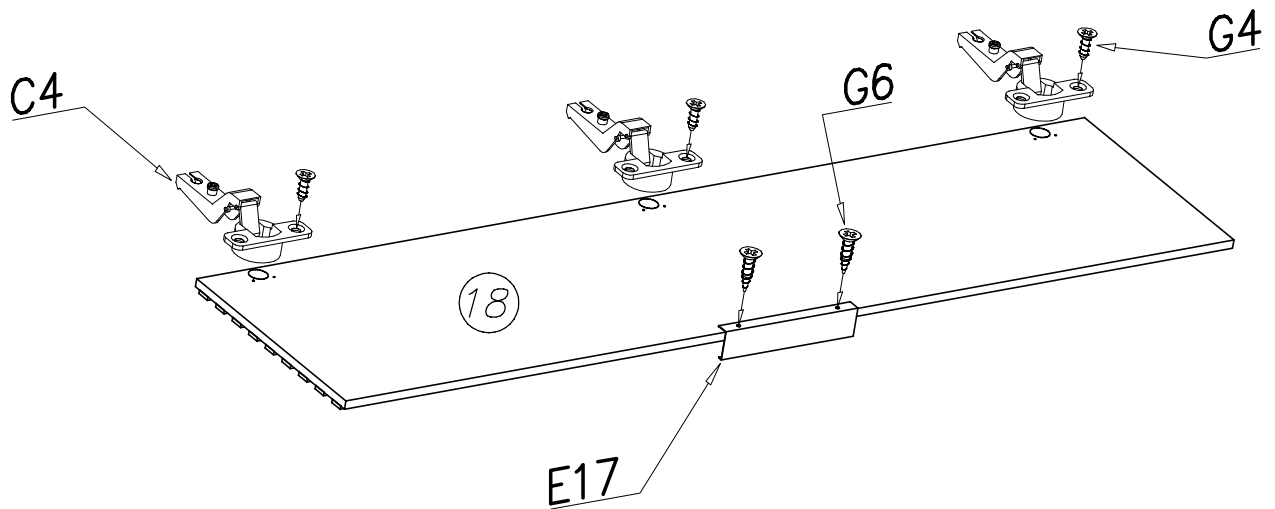
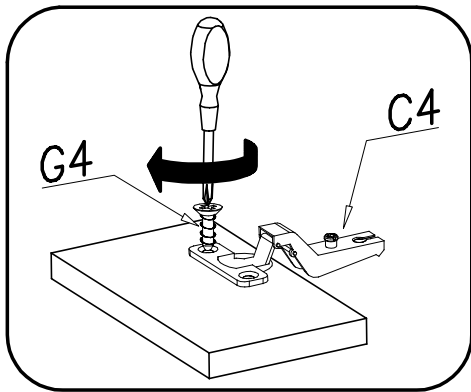
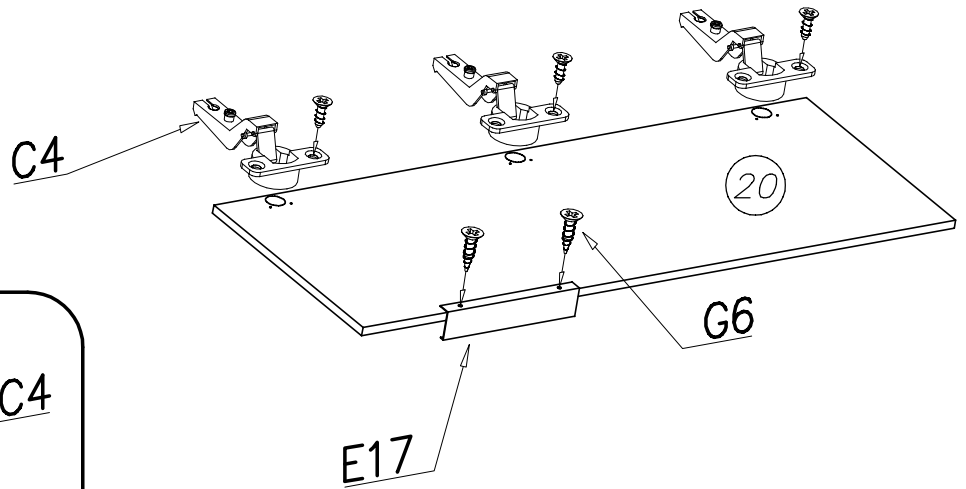
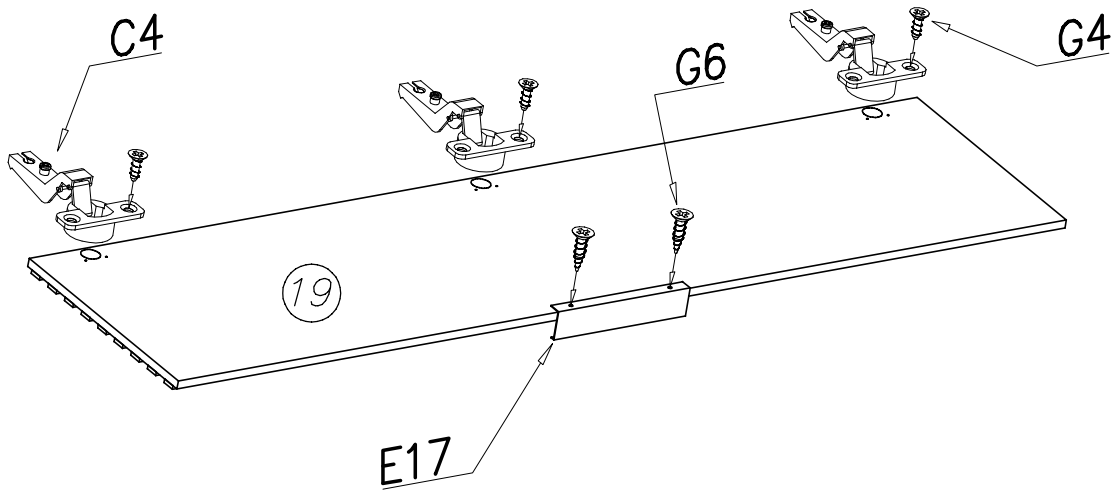



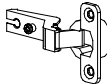


$a = b$



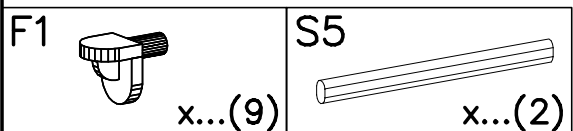
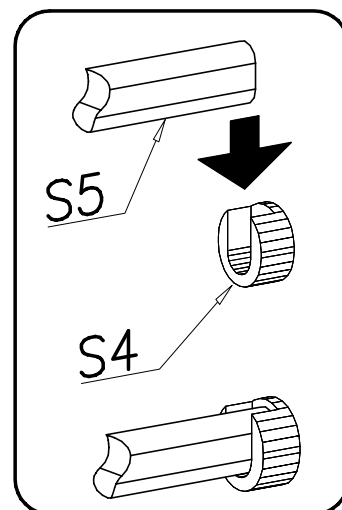
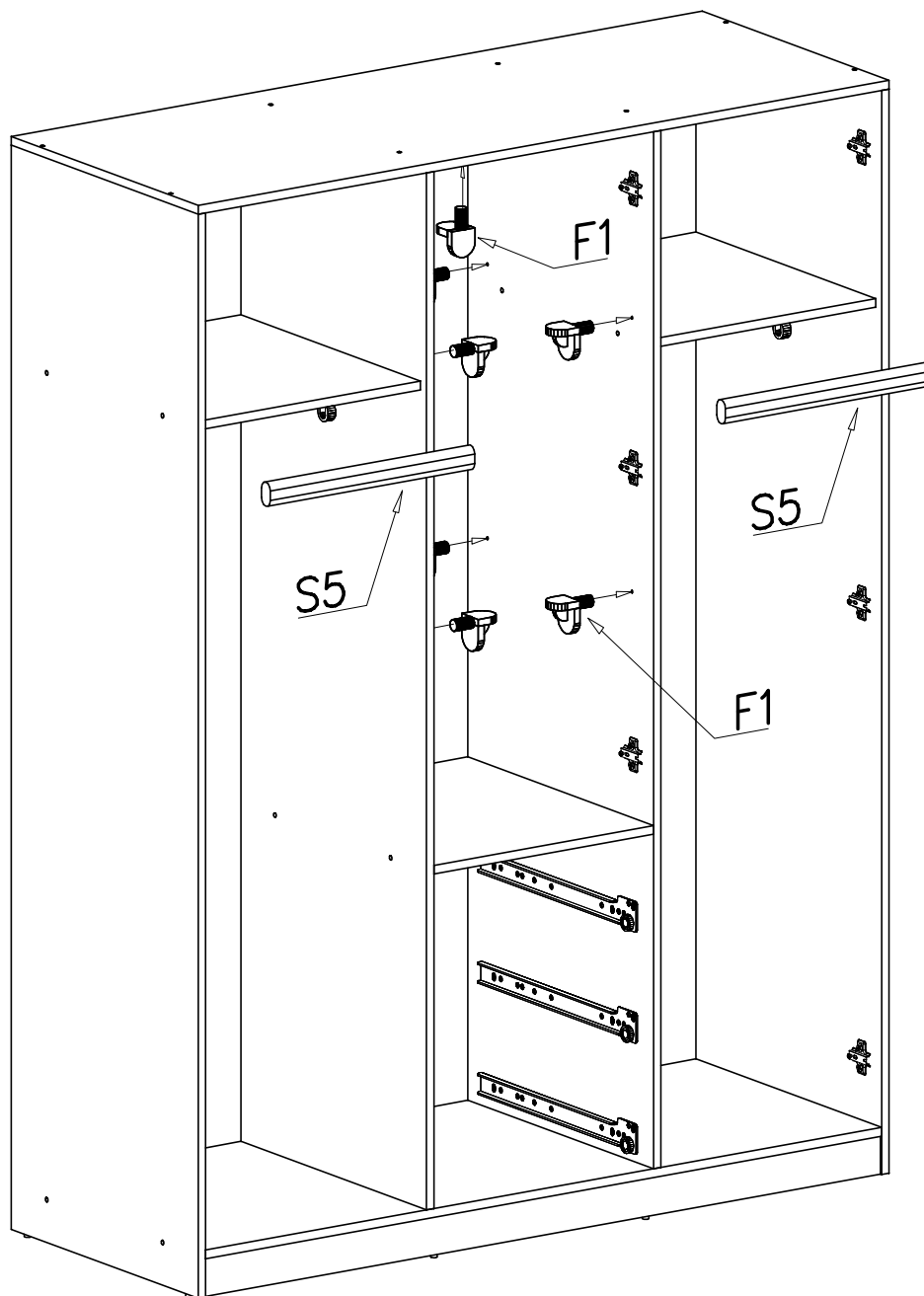
<p>S17</p>  <p>x...(24)</p>	<p>W4</p>  <p>x...(105)</p>
--	--

XI



<p>G4</p>  <p>4x16 x...(18)</p>	<p>C4</p>  <p>Z350D x...(9)</p>	<p>G6</p>  <p>3x13 x...(6)</p>	<p>E17</p>  <p>x...(3)</p>
---	---	--	--

XII



XIII

G36



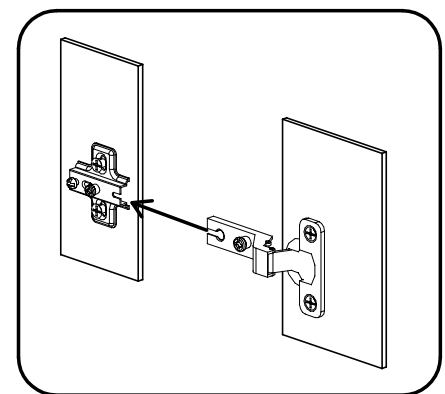
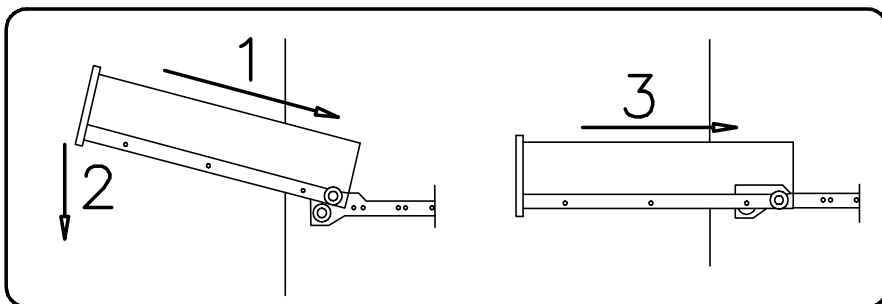
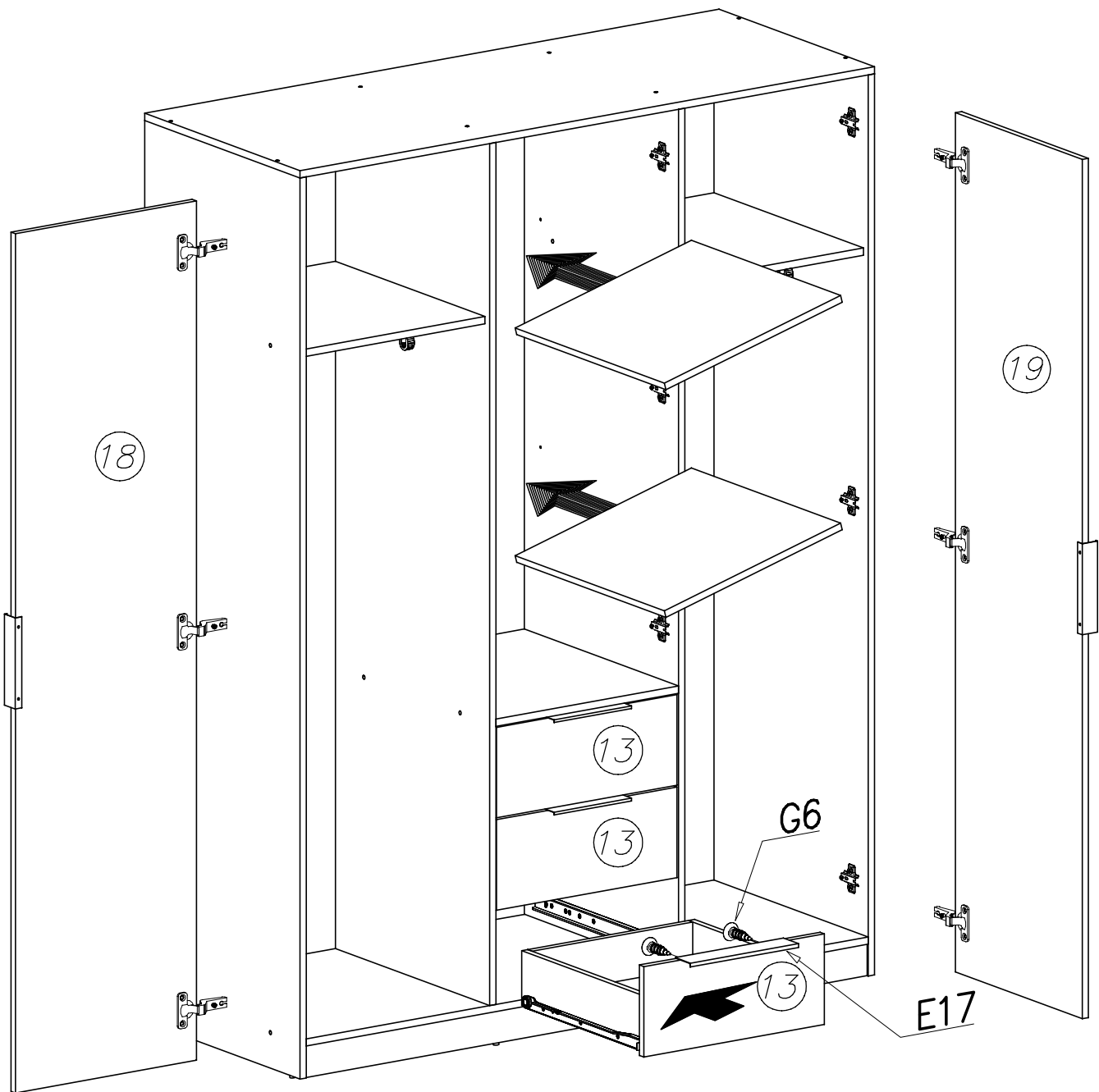
3,5x13

x...(6)

E17



x...(3)



XIV

