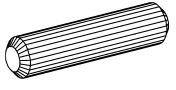
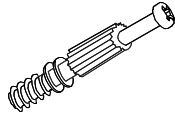
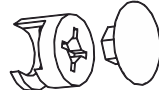
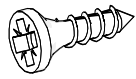

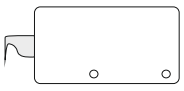
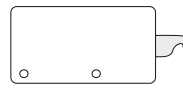
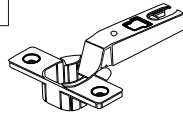
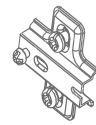
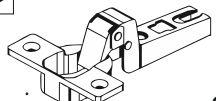
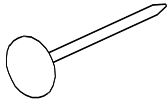

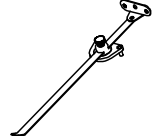
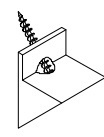
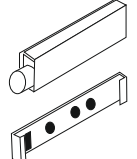
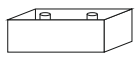

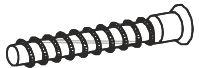
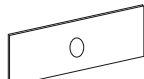
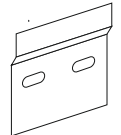
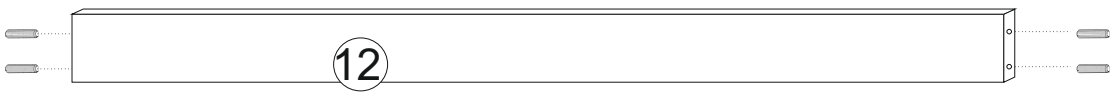
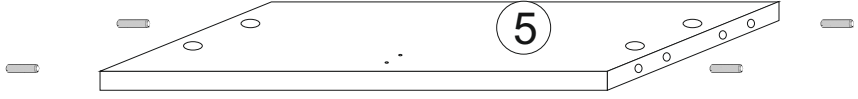
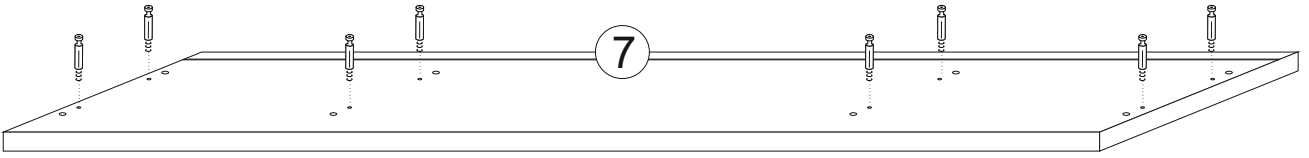
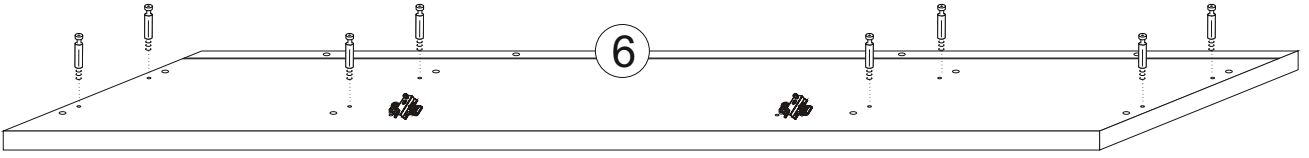
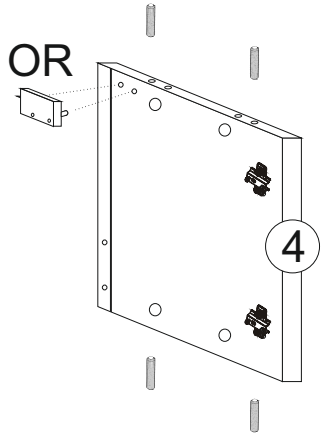
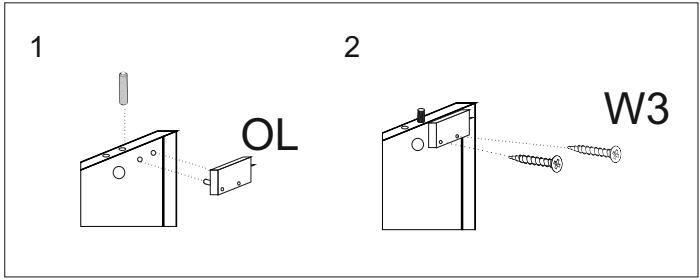
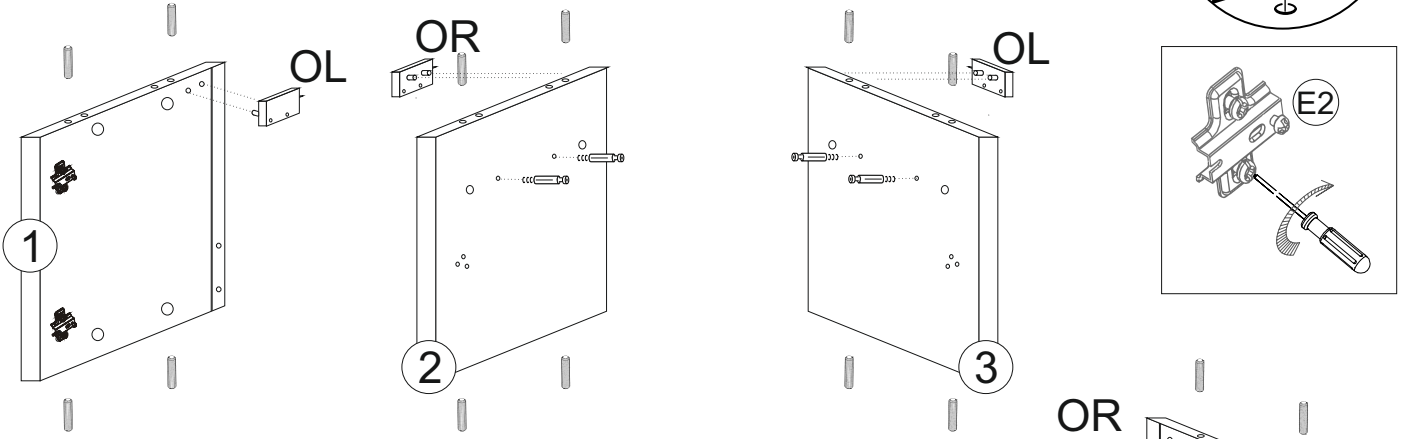
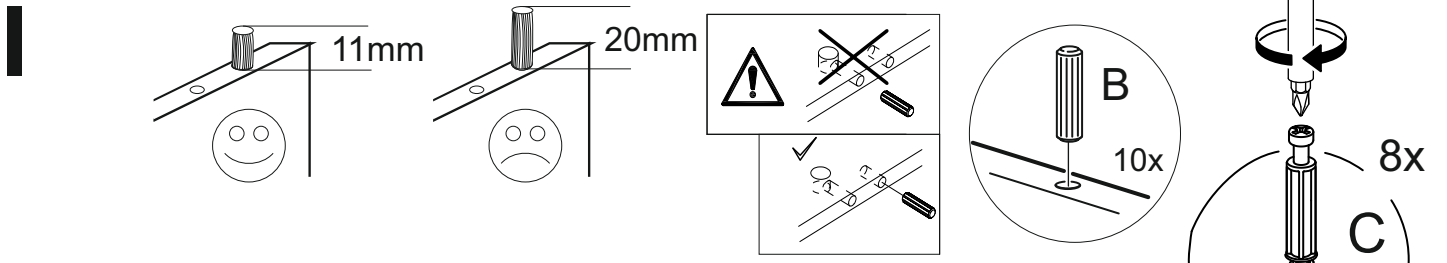
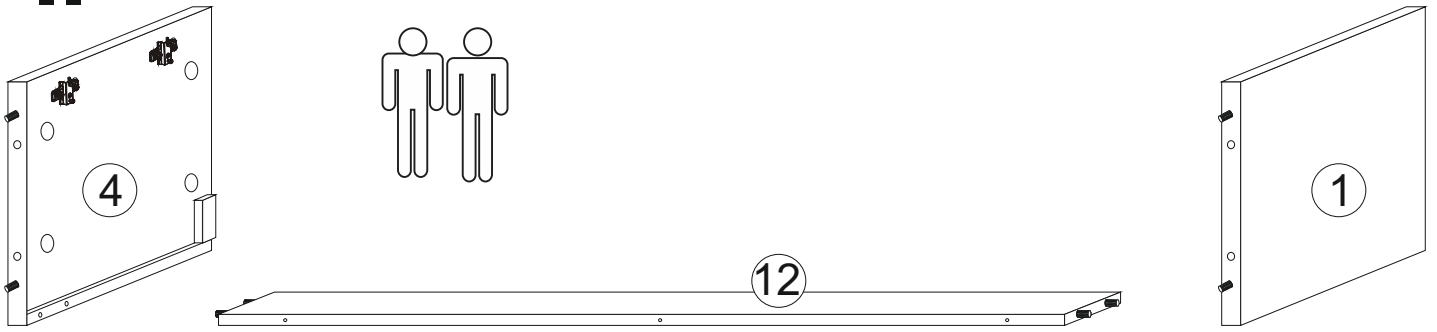


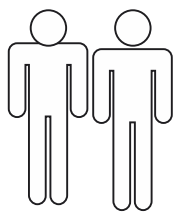
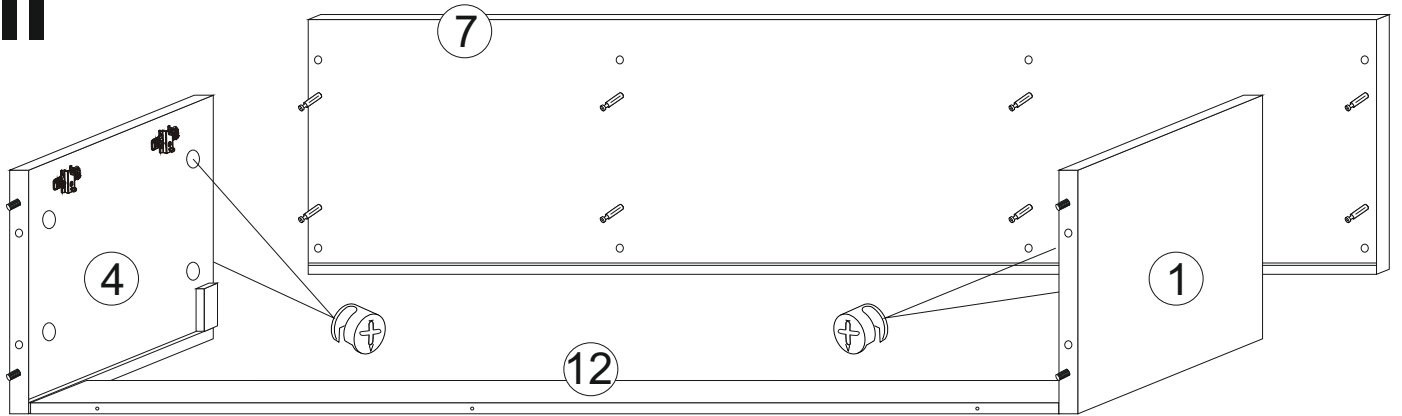
<b>B</b>  x24	<b>C</b>  x20	<b>D</b>  x20	<b>W1 3.5x16</b>  x23	<b>W3 3.5x30</b>  x8
<b>OR</b>  x2	<b>OL</b>  x2	<b>E1</b>  x4	<b>E2</b>  x6	<b>E3</b>  x2
<b>G</b>  x6	<b>A</b>  x1	<b>H</b>  x1	<b>F.</b>  x10	<b>W</b>  x3
<b>L</b>  x8	<b>W4 4x20</b>  x16	<b>S</b>  x4	<b>Y</b>  x6	<b>U</b>  x4



## II

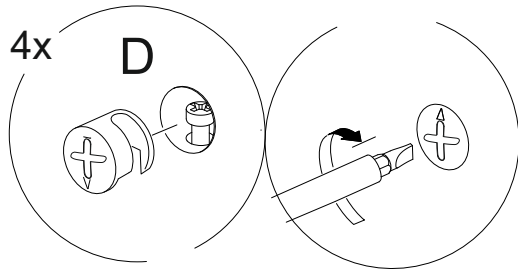


## III

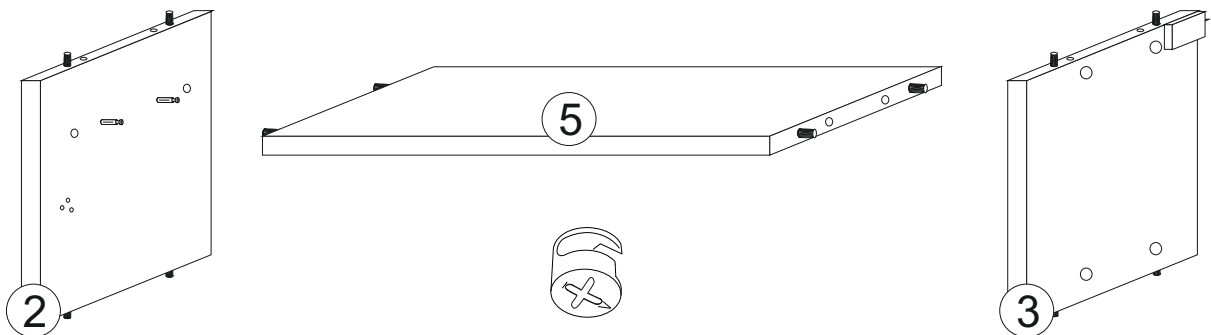


4x

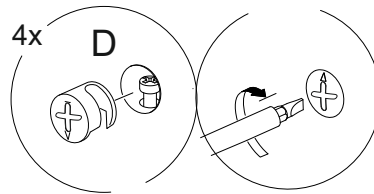
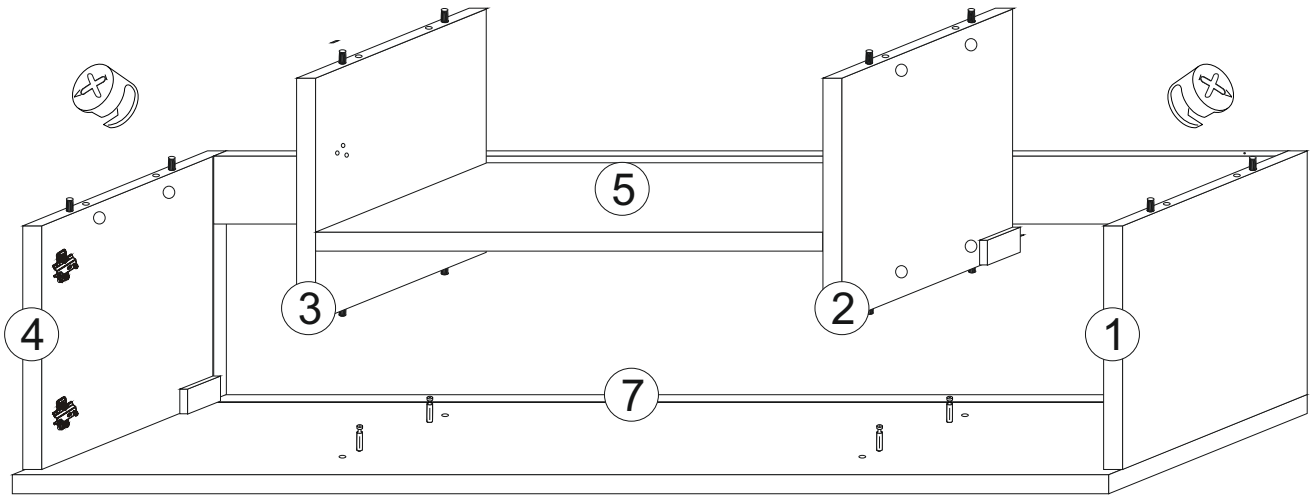
D



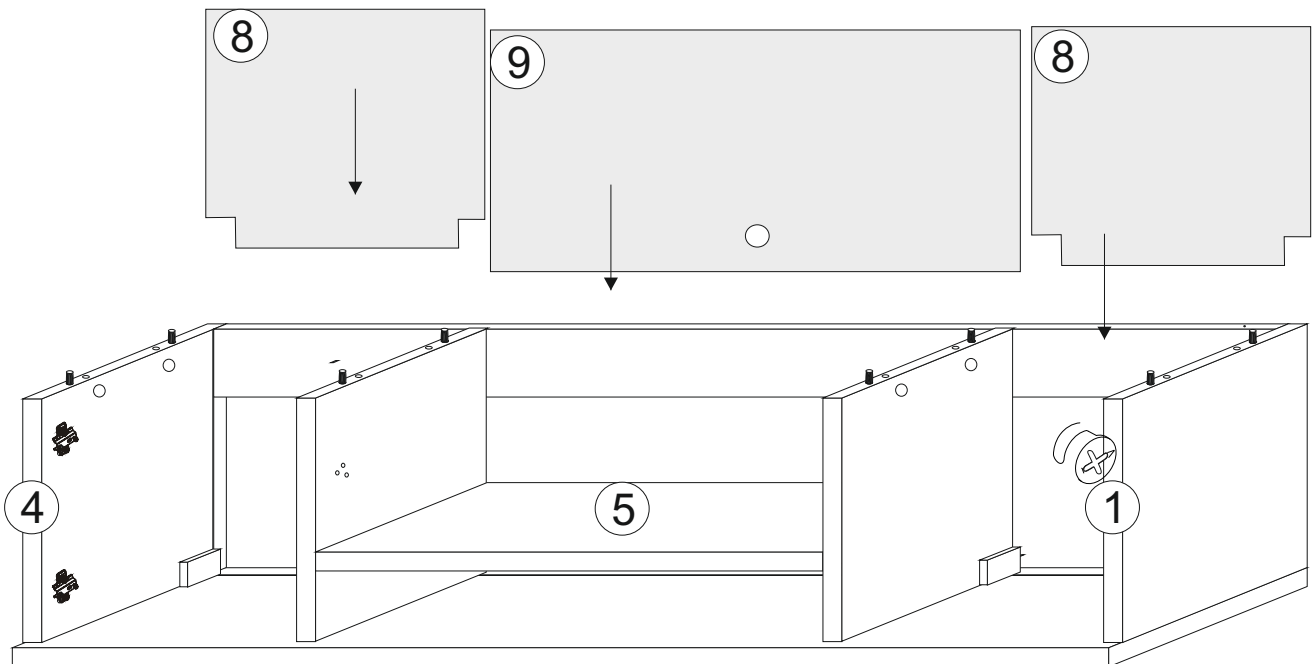
## IV



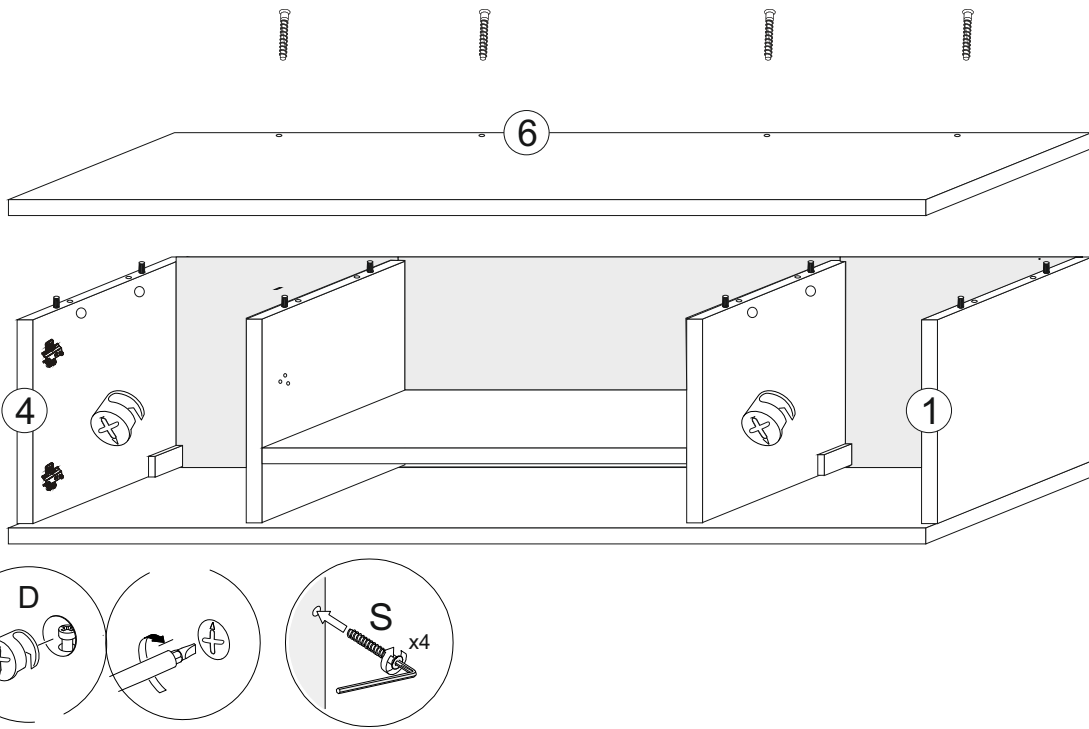
# V



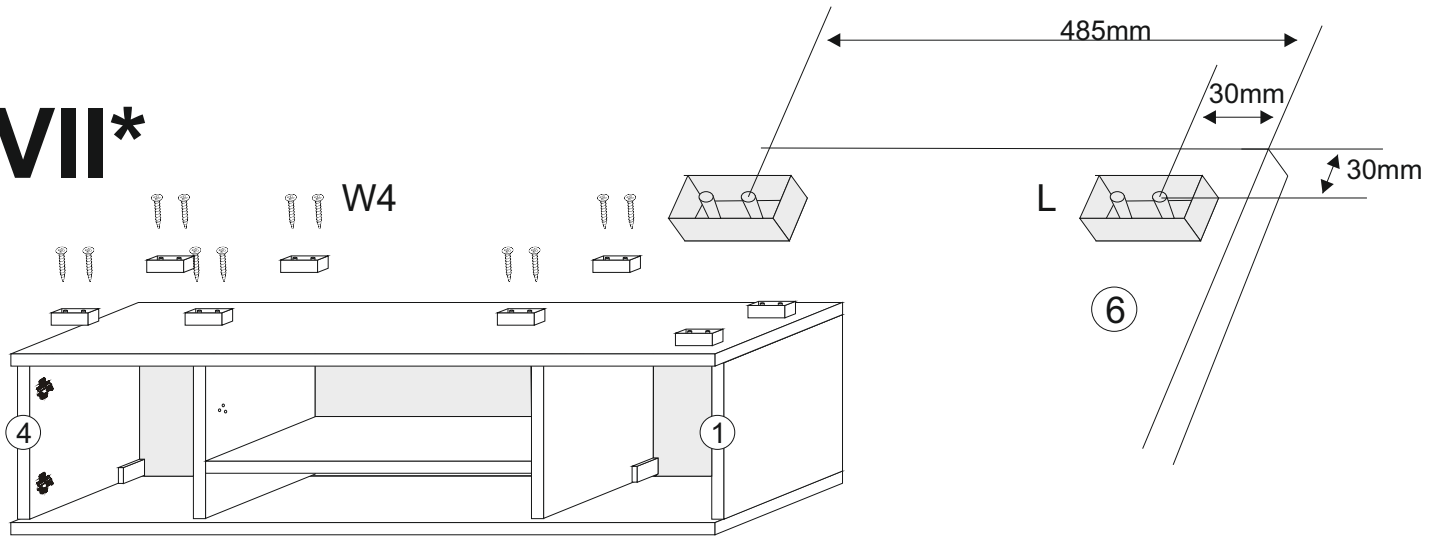
# VI



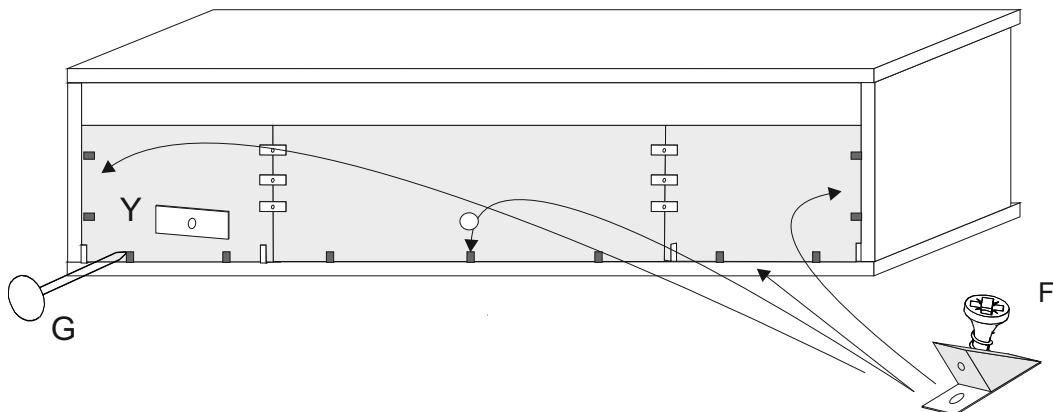
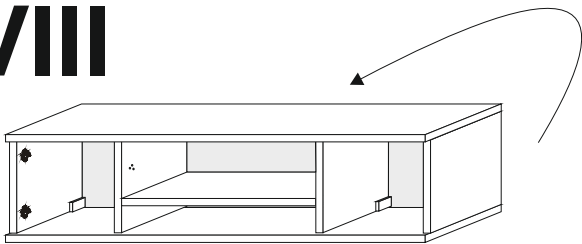
# VII



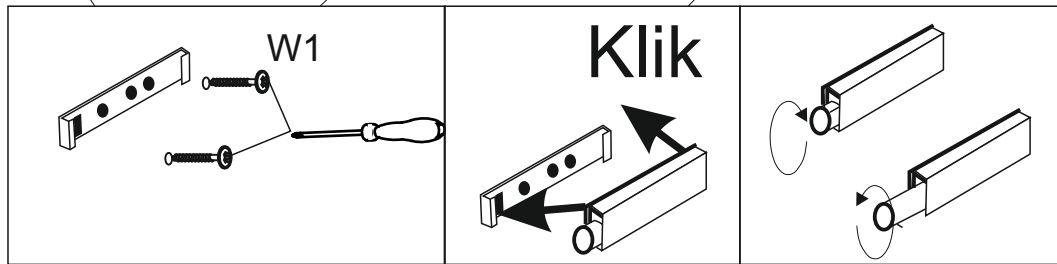
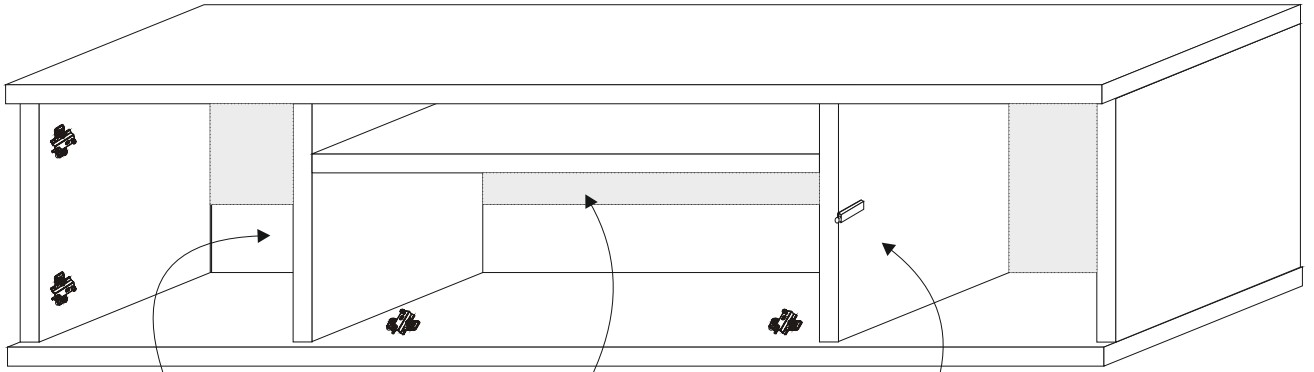
# VII\*



# VIII

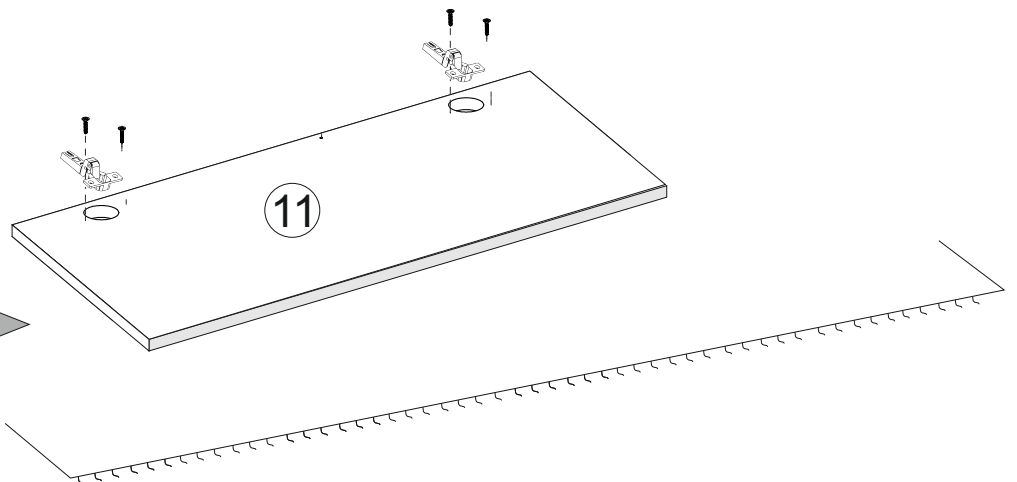
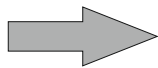
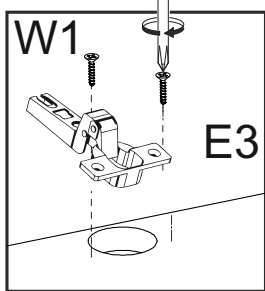
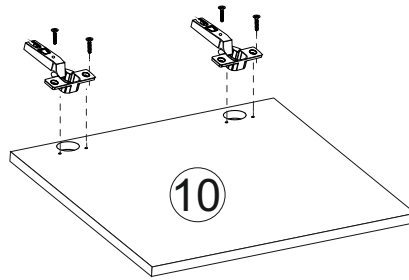
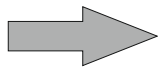
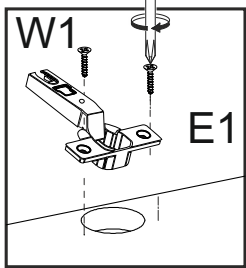


# IX

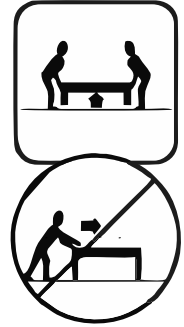
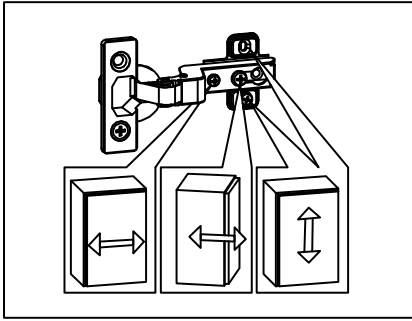
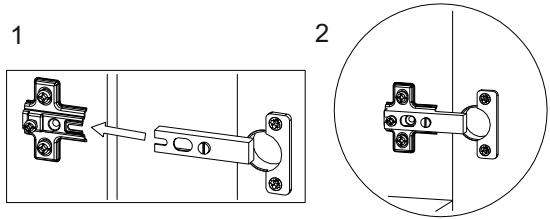
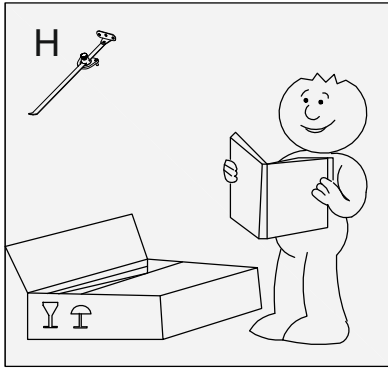
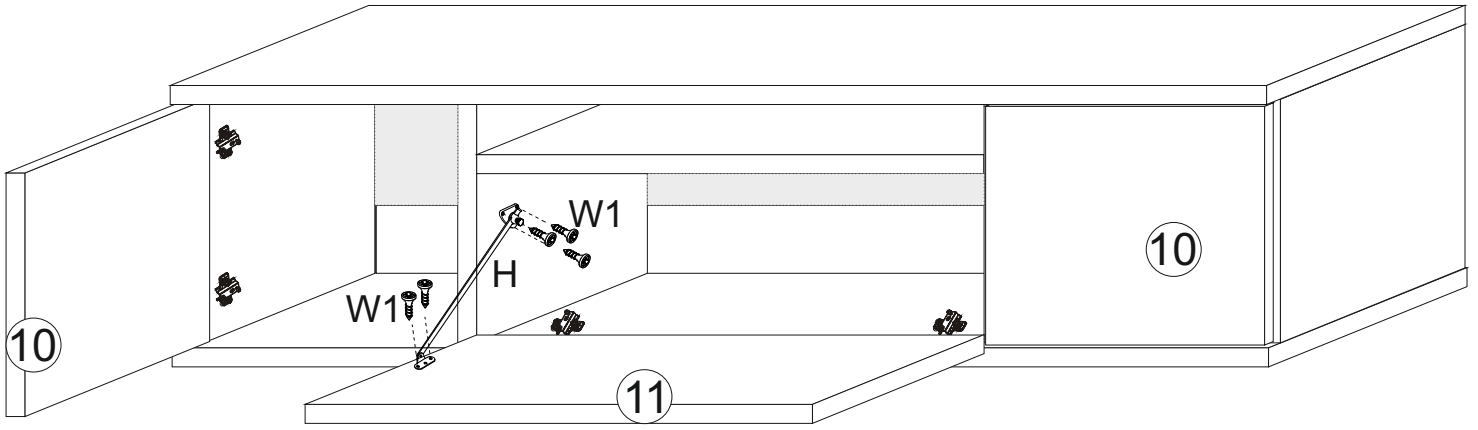


x3

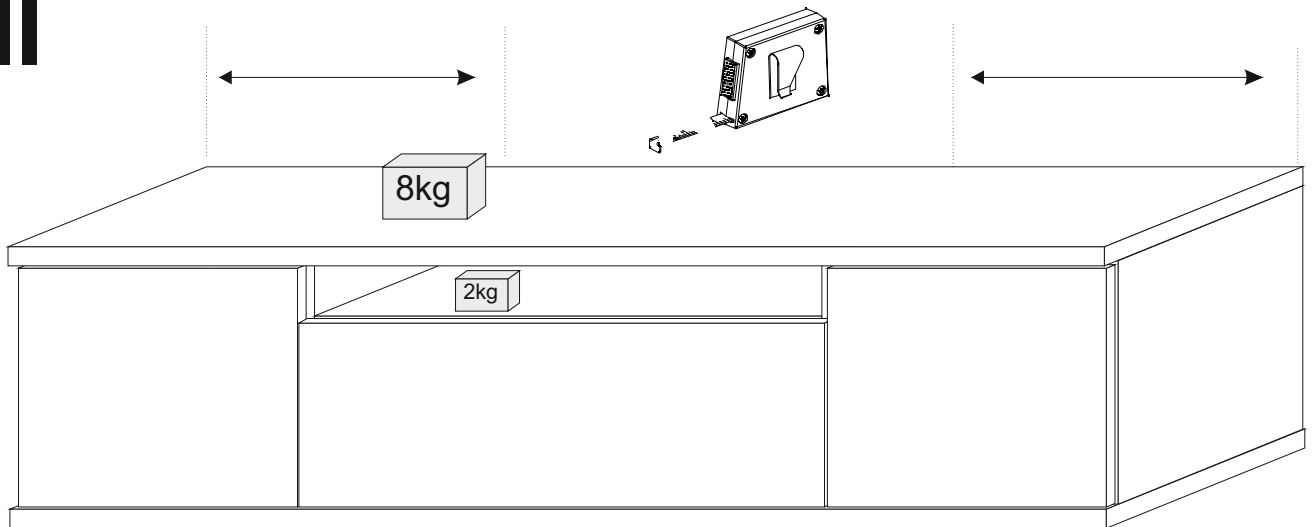
# X



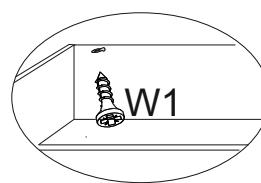
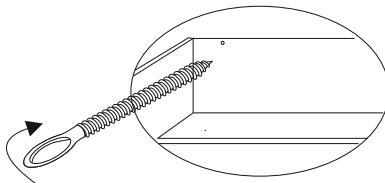
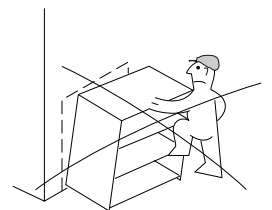
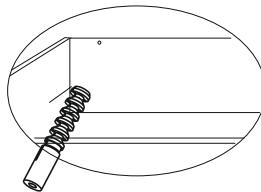
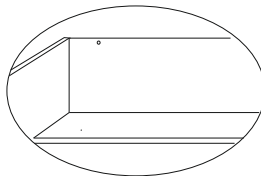
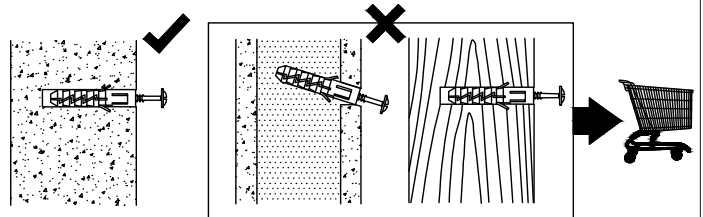
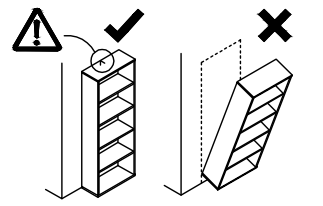
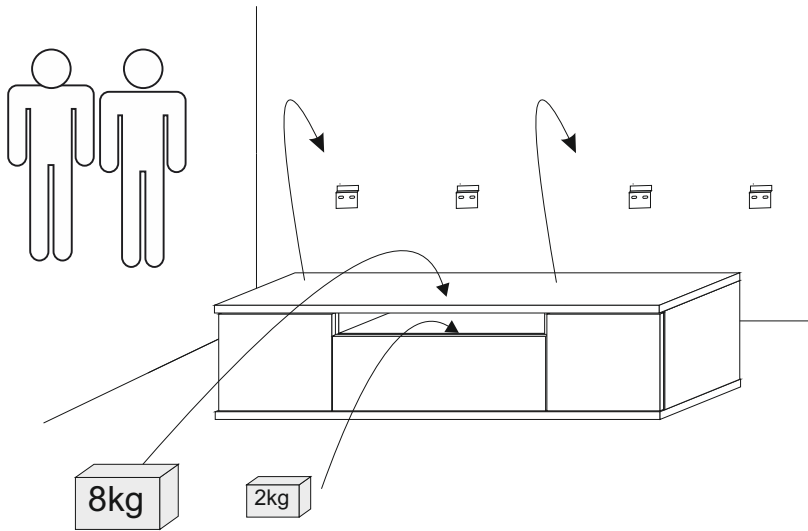
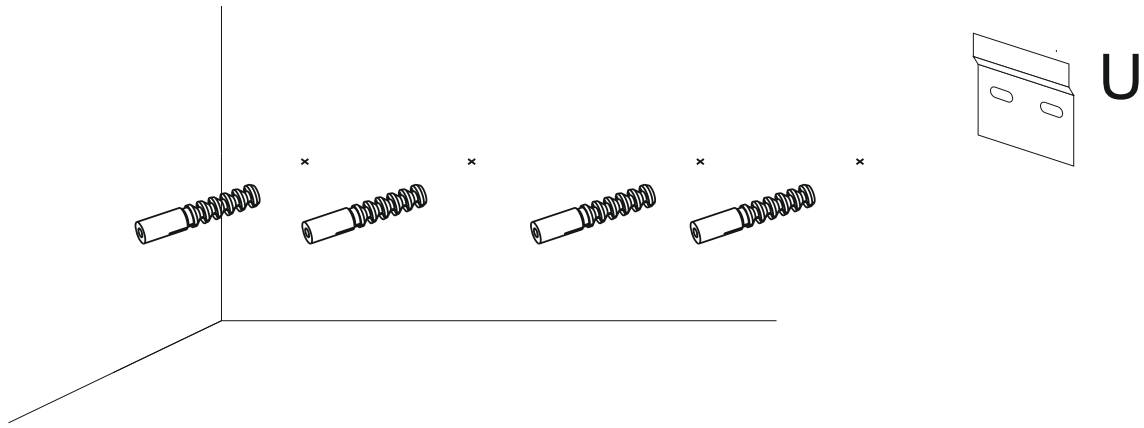
# XI



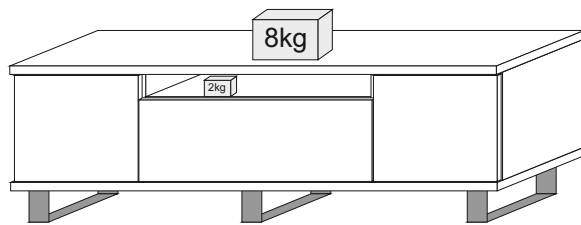
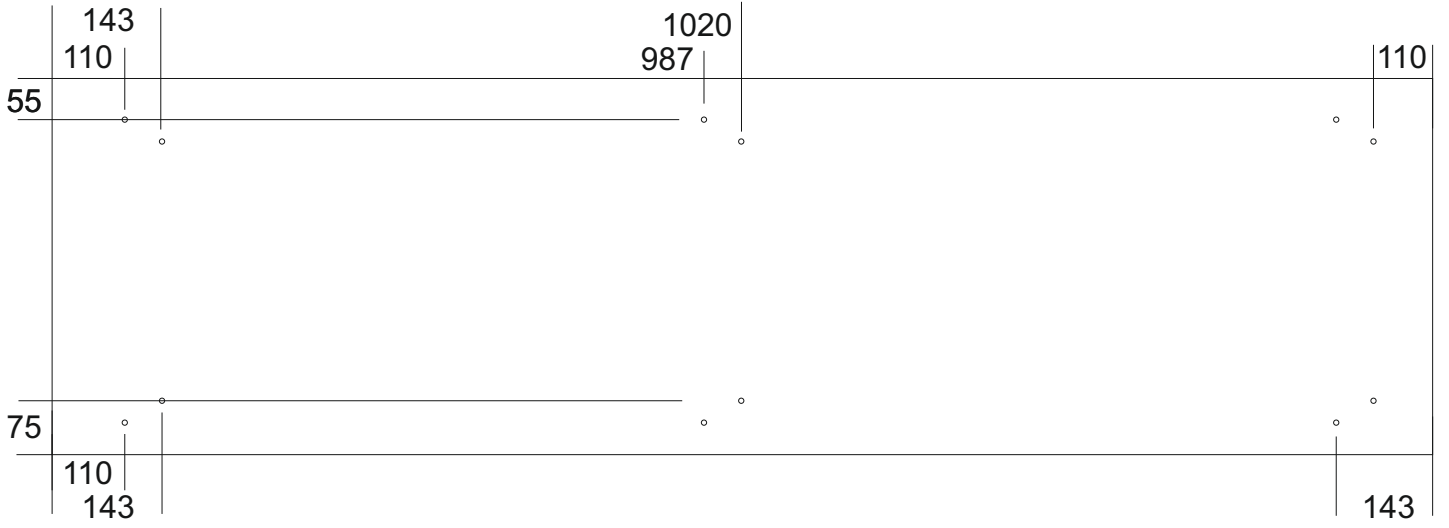
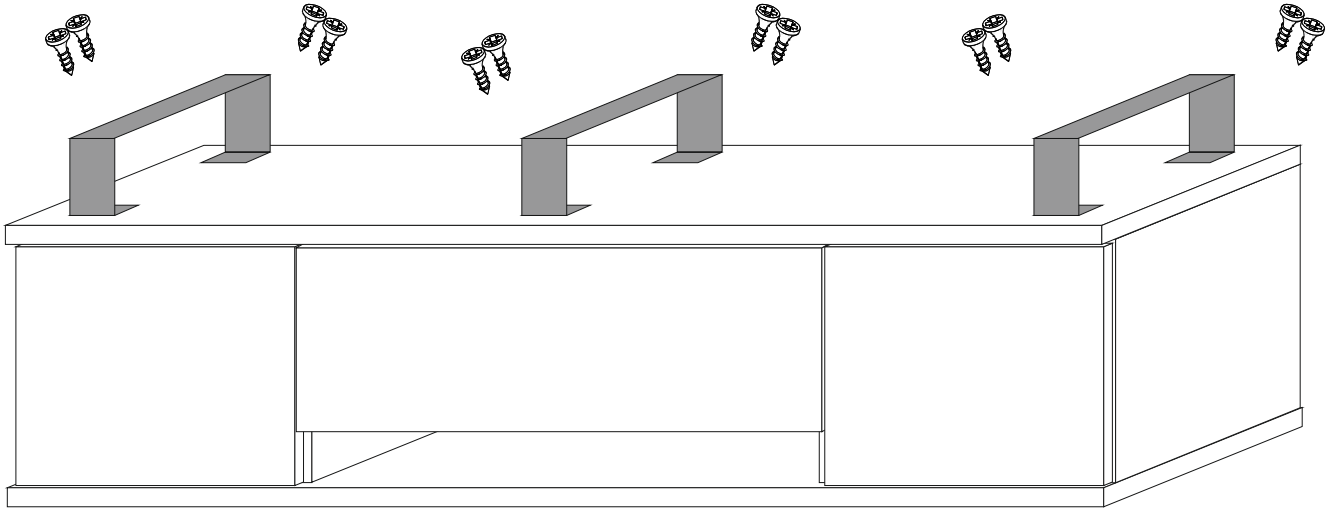
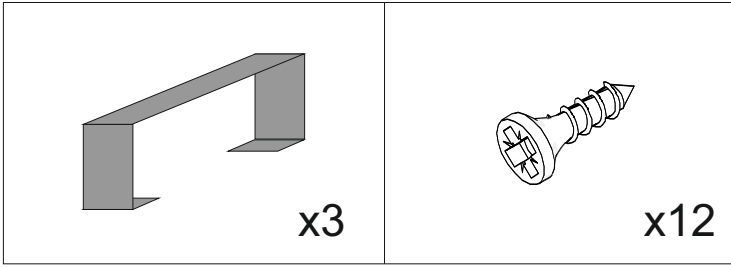
# XII



# XIII







# XIV

