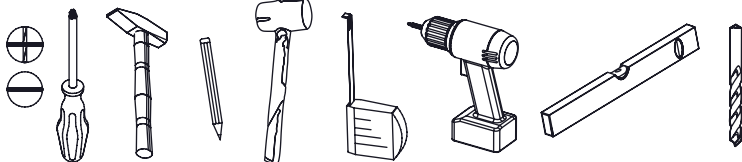
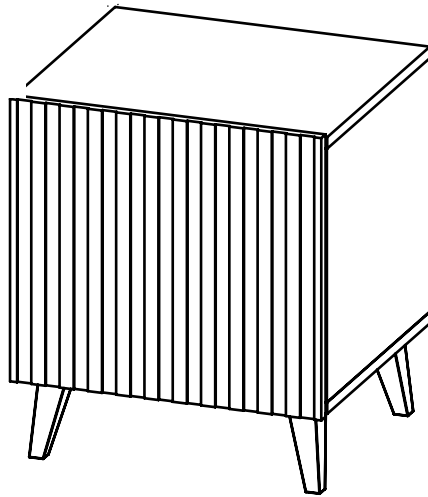
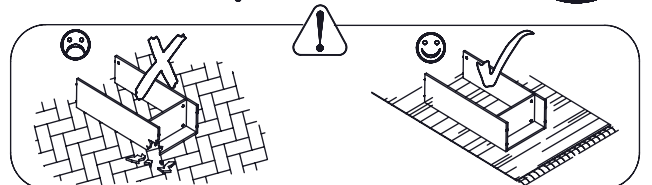


10
9
8
7
6
5
4
3
2
1
0

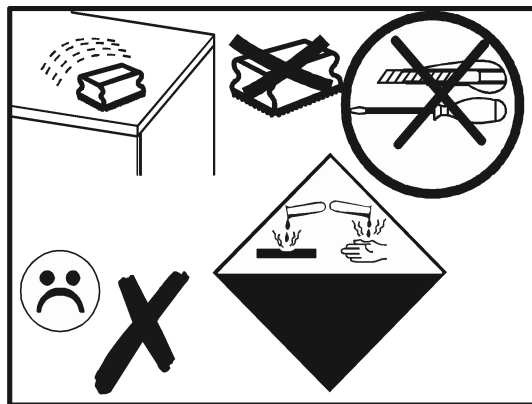
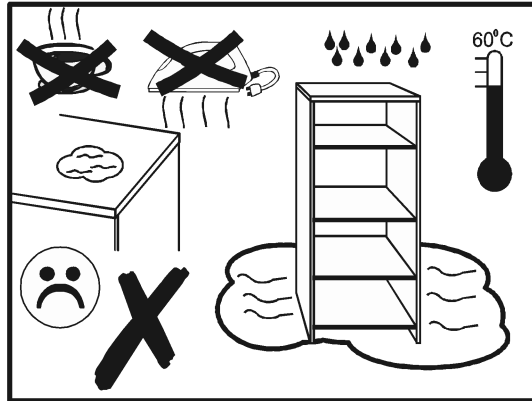
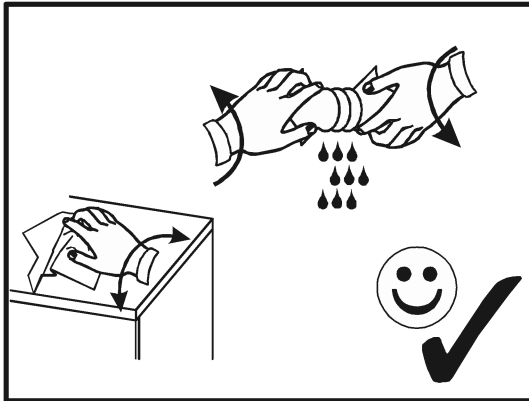
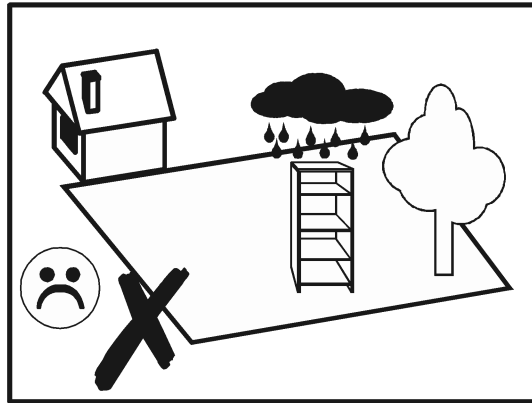
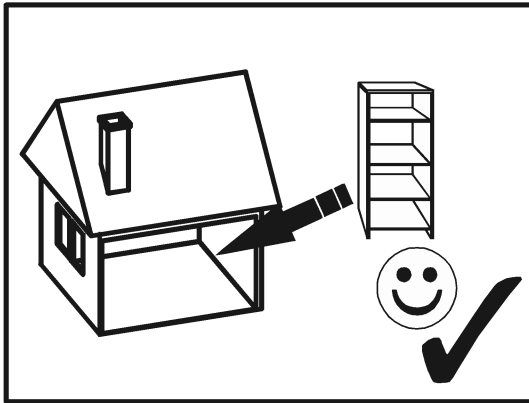
x2

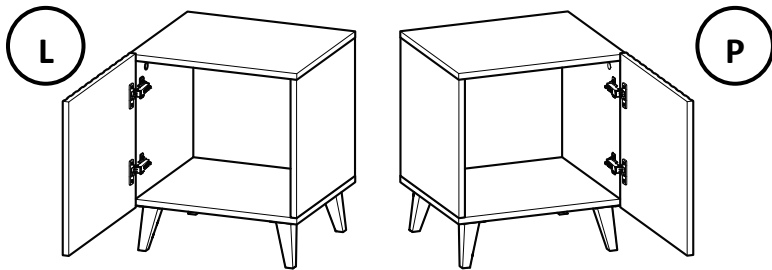


[1]



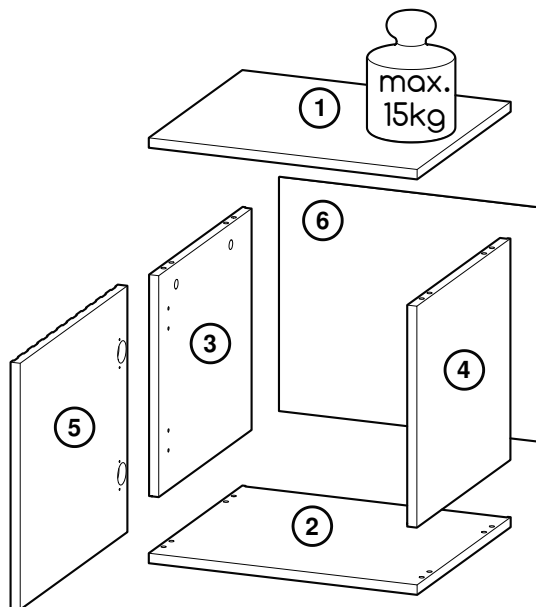
v 1.0





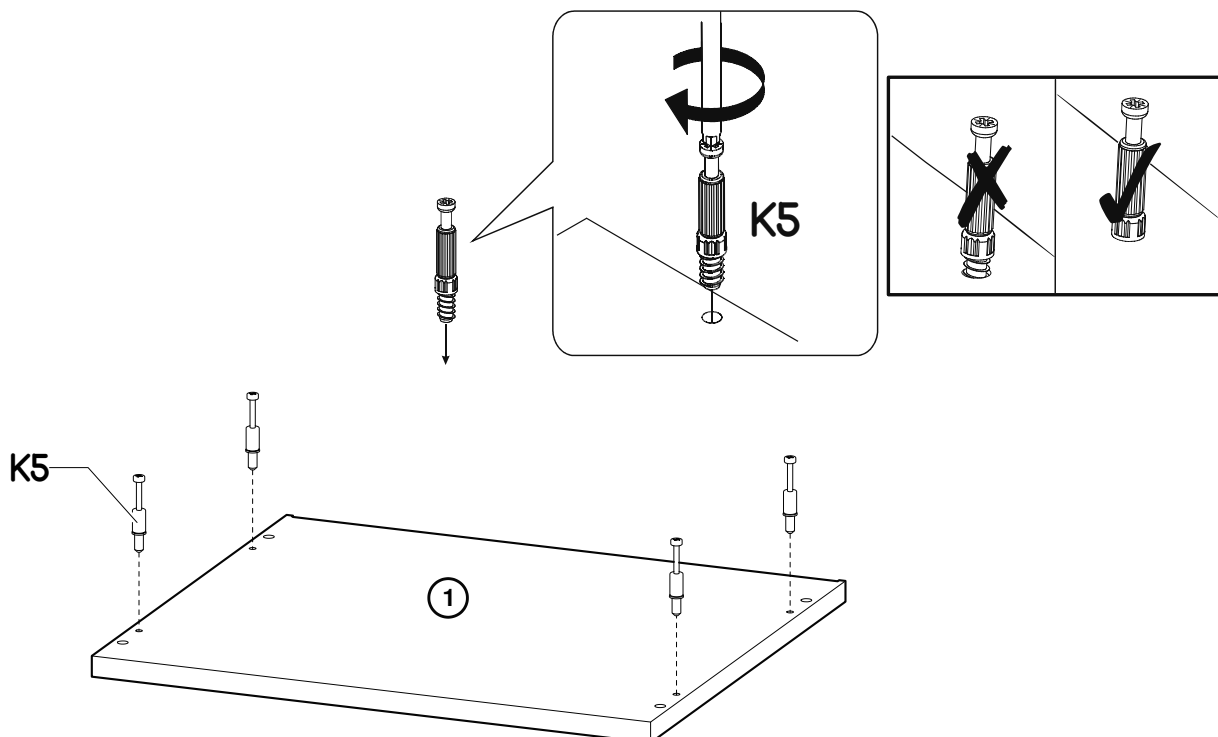
x2

Nr	Xmm	Ymm	Zmm	x
1	445	384	16	1
2	445	384	16	1
3	356	384	16	1
4	356	384	16	1
5	440	396	16	1
6	433	376	2,5	1



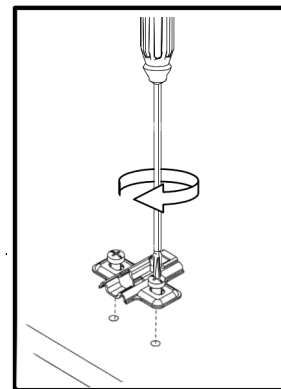
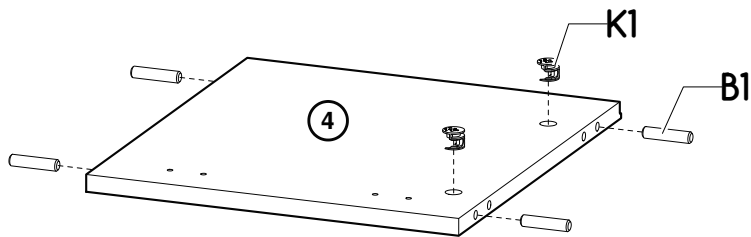
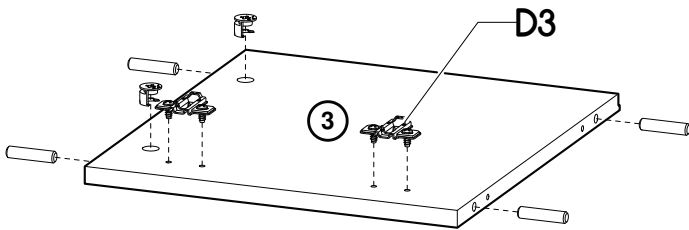
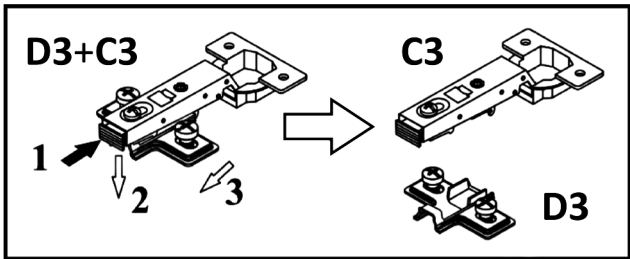
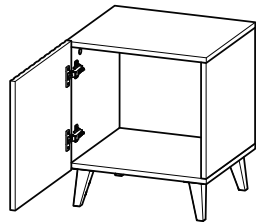
K1 4x Ø15x12 	I20 4x Ø4/Ø17 	K5 4x 34mm 	A1 4x Ø7x50 	B1 8x Ø8x35 	W2 1x 4mm
G11 16x 4x20 	P46 4x h120 	C3 2x SOFT 	G5 4x 4x13 	D3 2x SOFT 	W4 18x

I

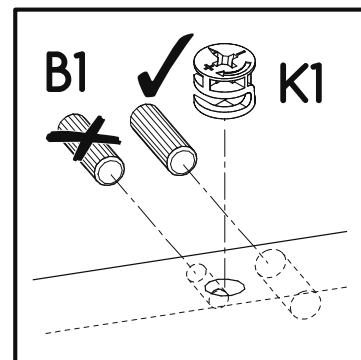
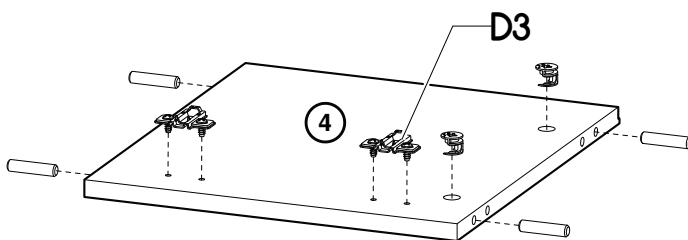
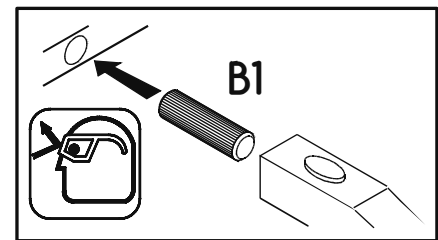
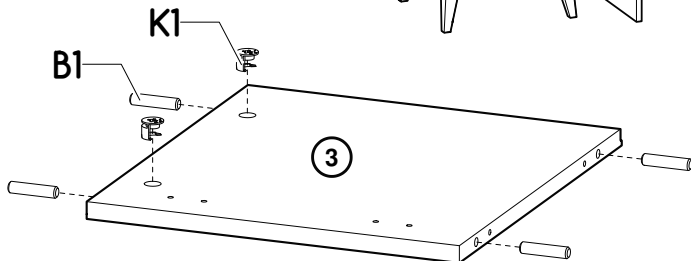
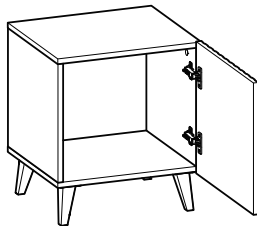


II

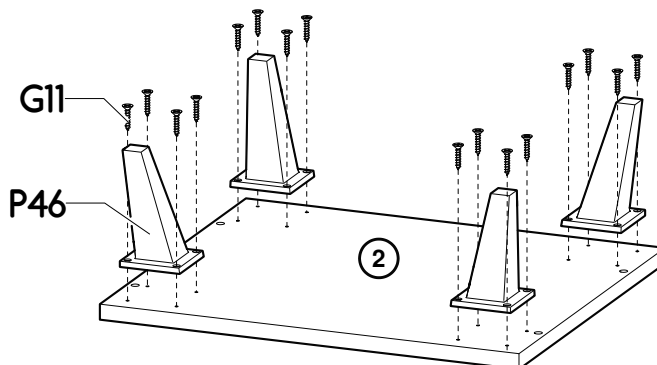
L



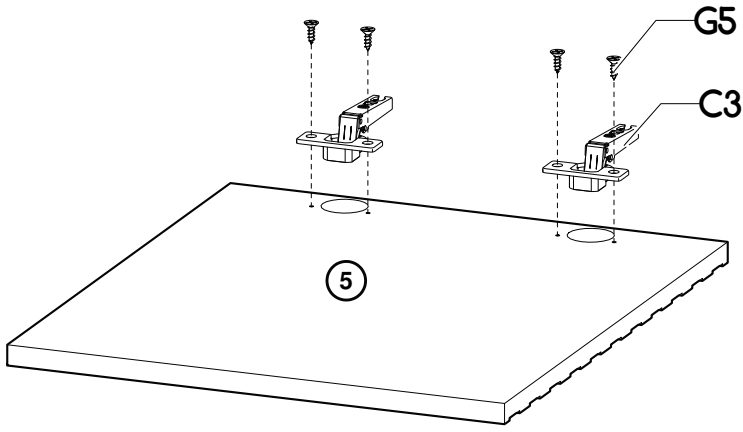
P



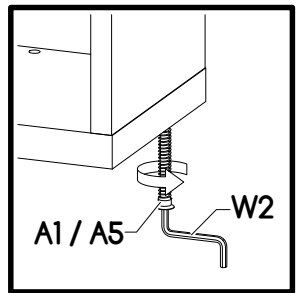
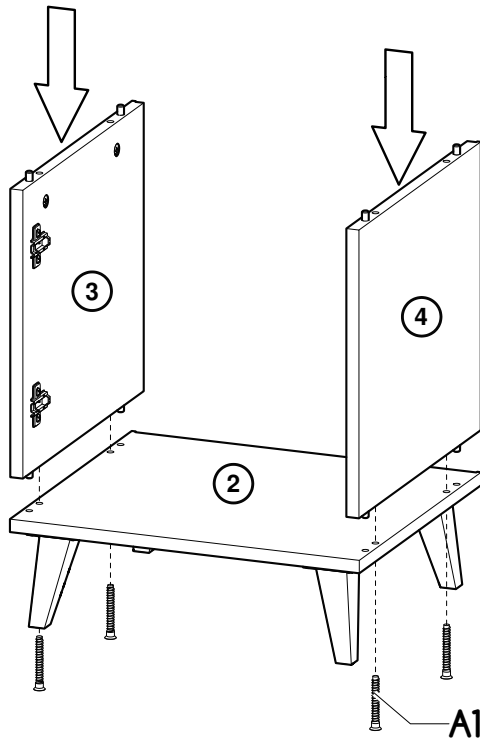
III



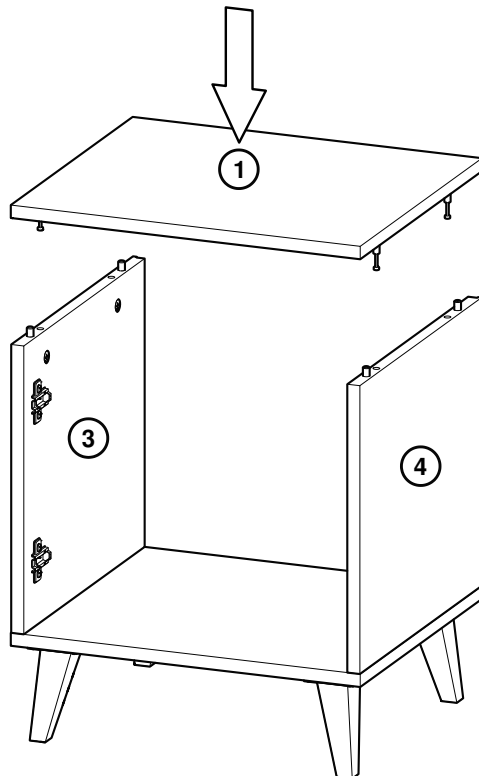
IV



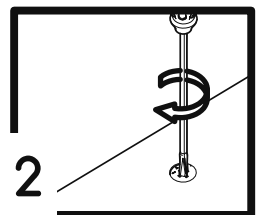
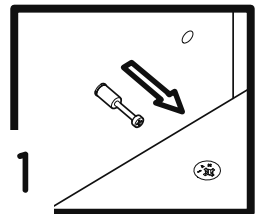
V



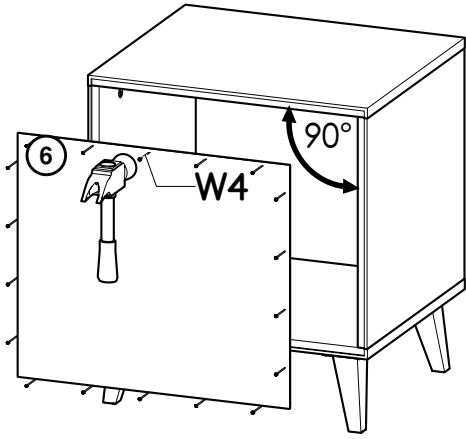
VI



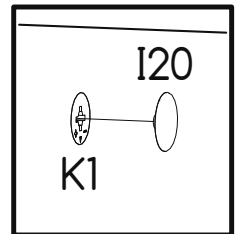
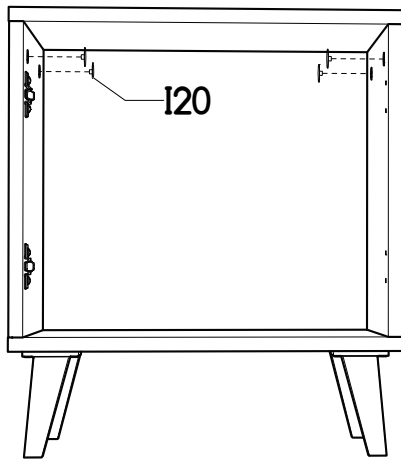
i



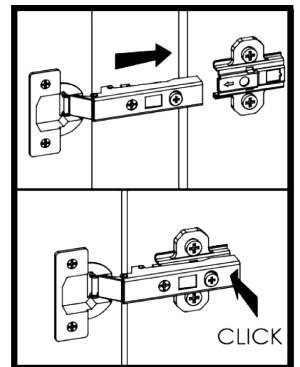
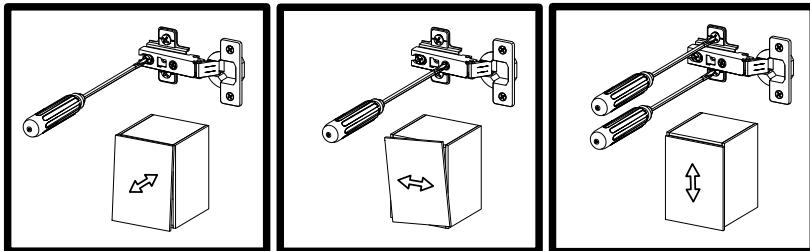
VII



VIII



IX



L

P

