

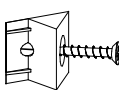
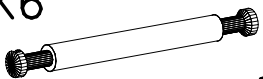
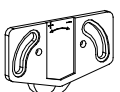
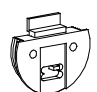

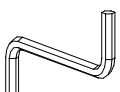
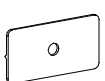


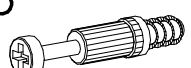


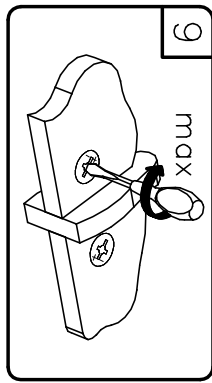
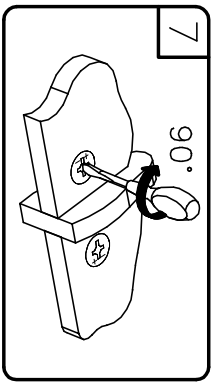
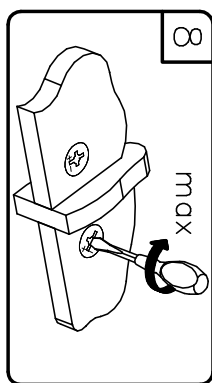
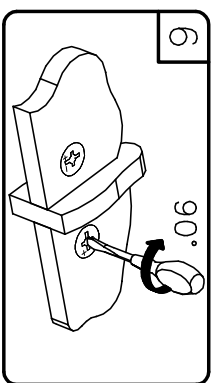
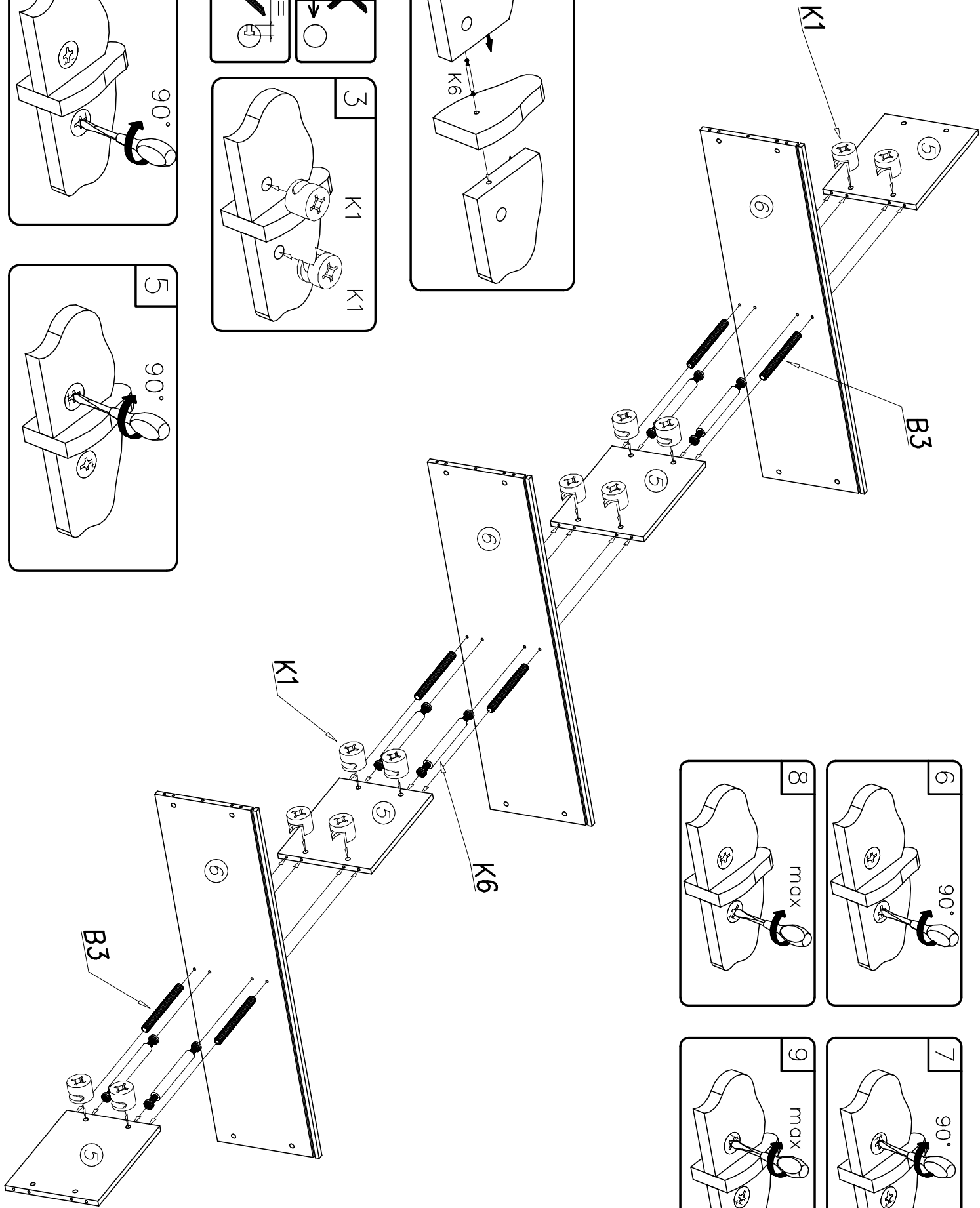
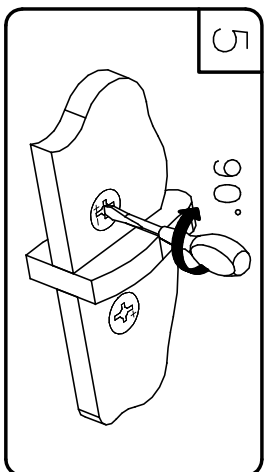
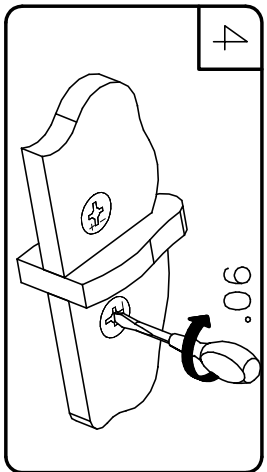
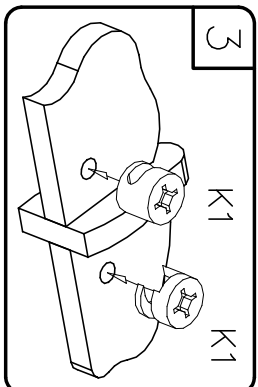
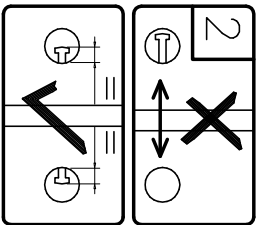
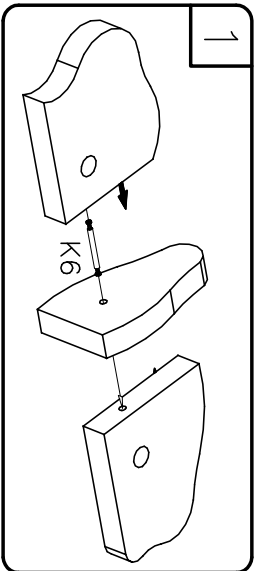
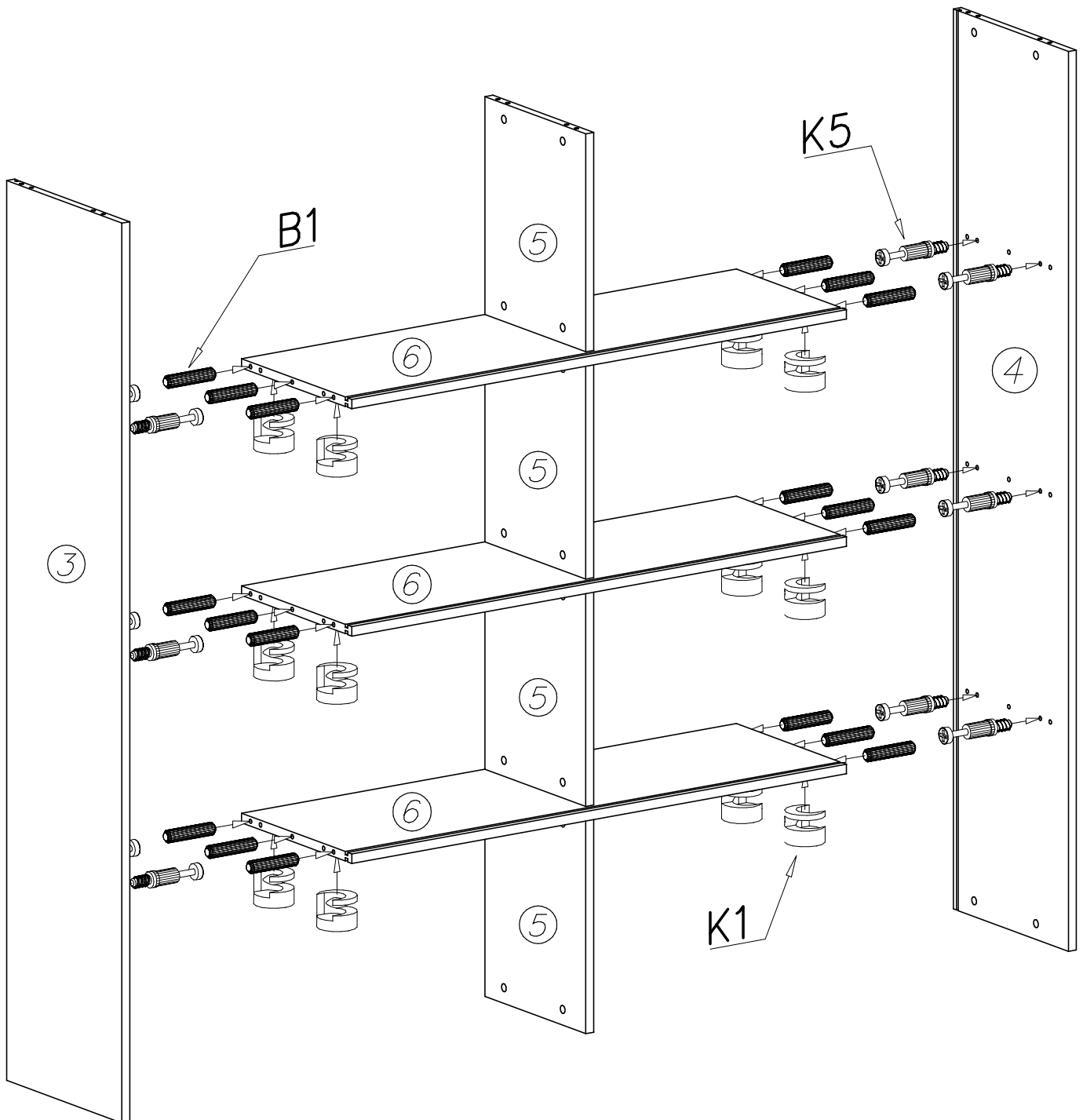
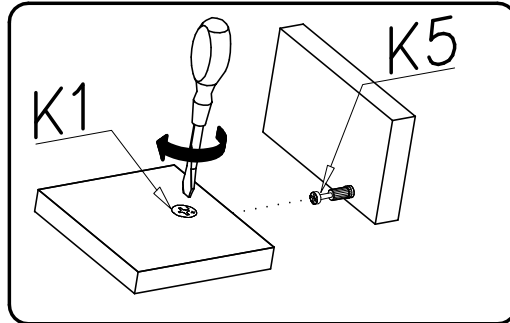
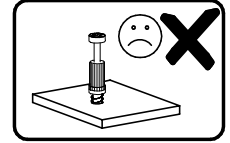
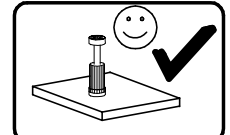
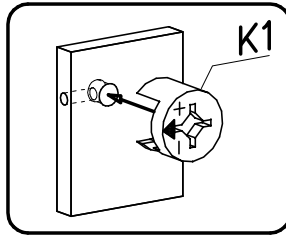
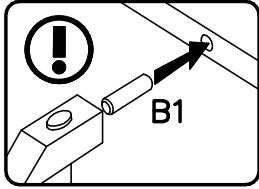


B3  Ø8x50 x6	G10  6x13 x16	I1  x4	K6  x6	
T39  x8	T40  x8	K1  Ø15x13,2 x36	W2  4mm x1	S17  x30
G56  3,5x16 x16	I7  Ø18 x36	K5  x24	B1  Ø8x35 x34	G21  3x20 x30

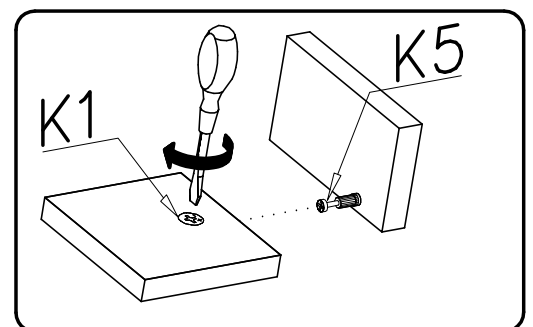
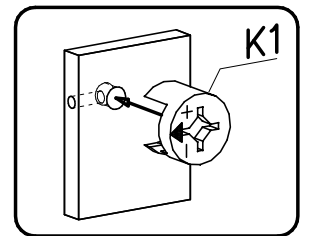
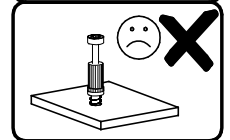
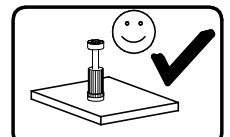
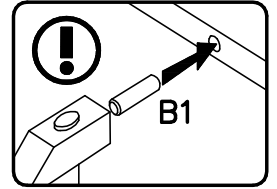
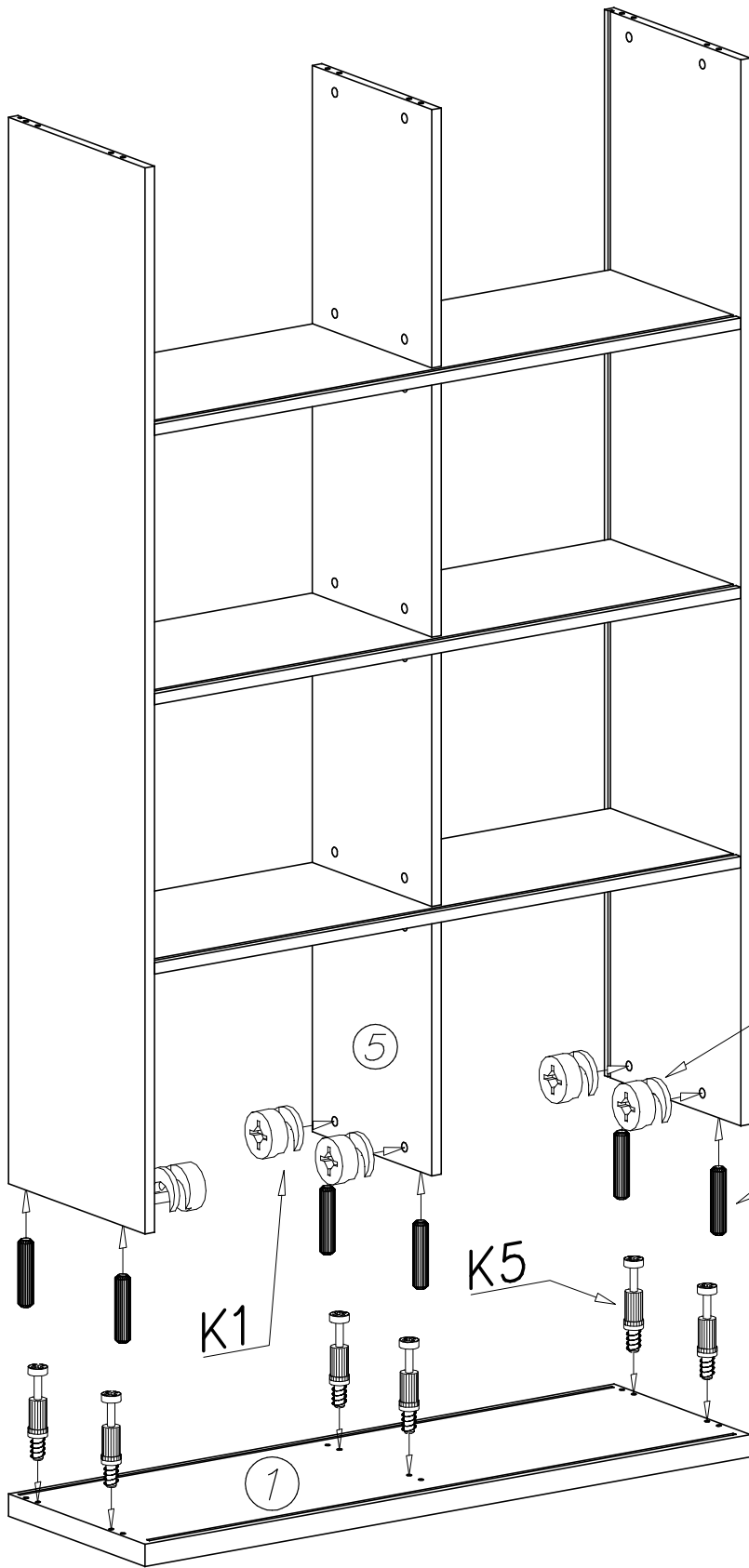
1



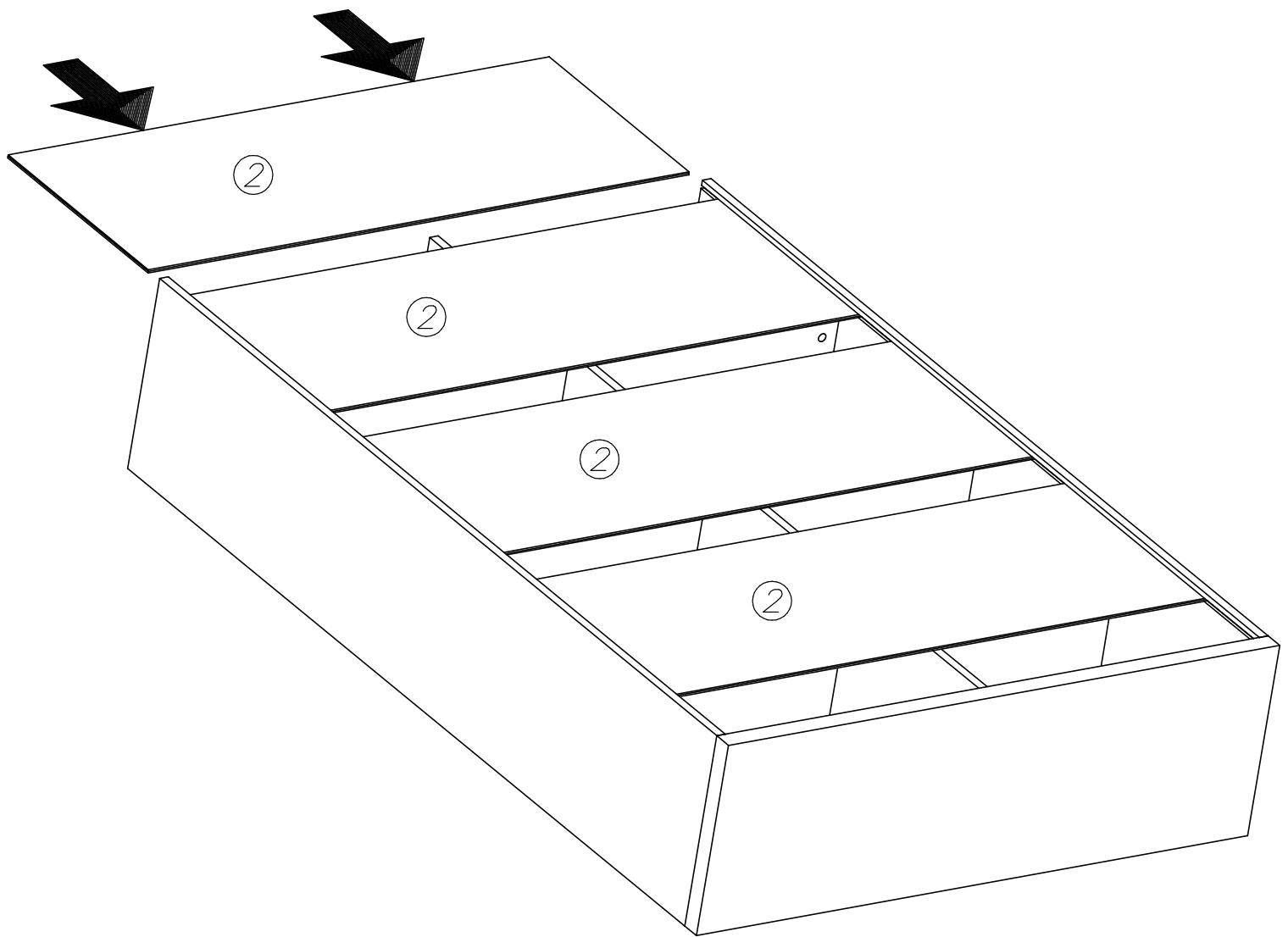
2



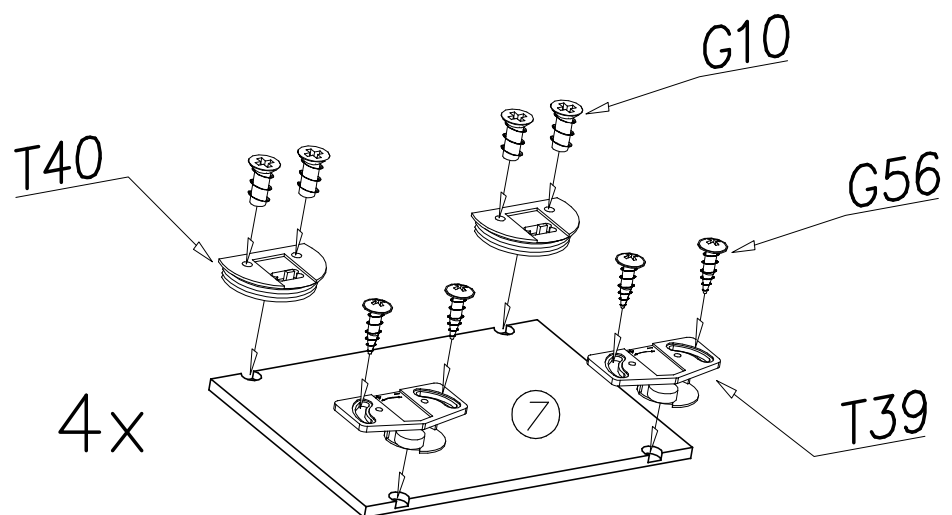
3



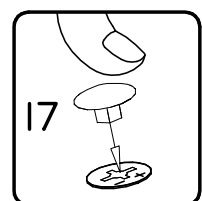
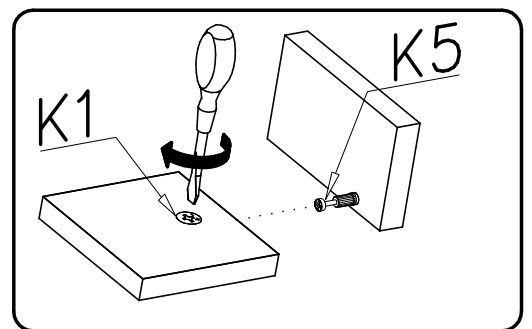
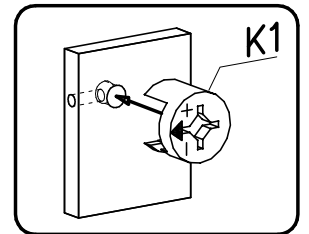
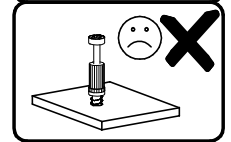
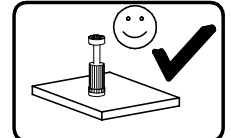
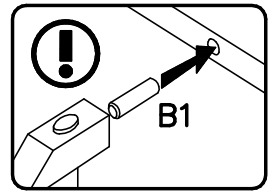
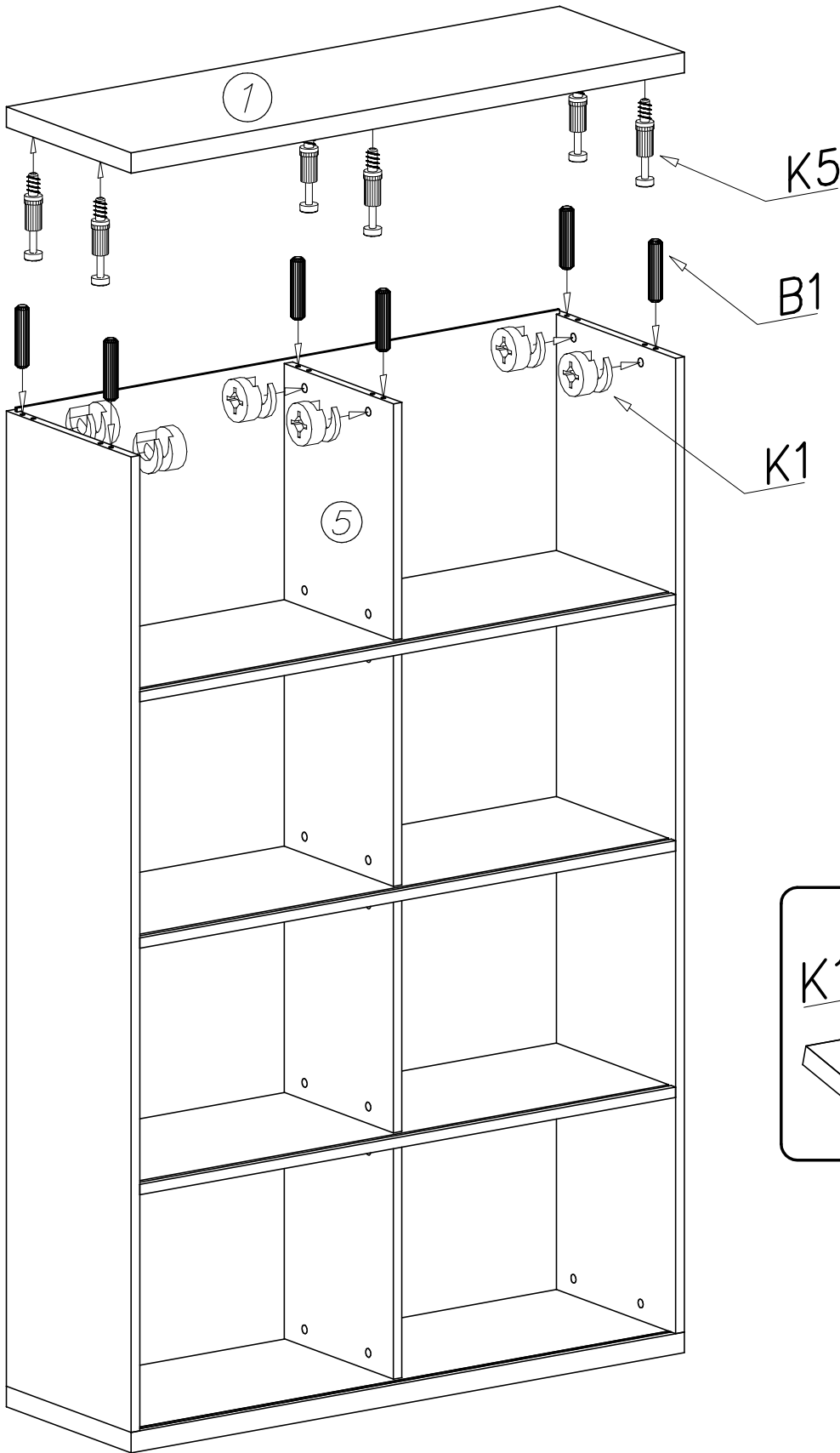
④



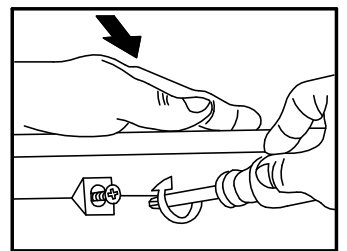
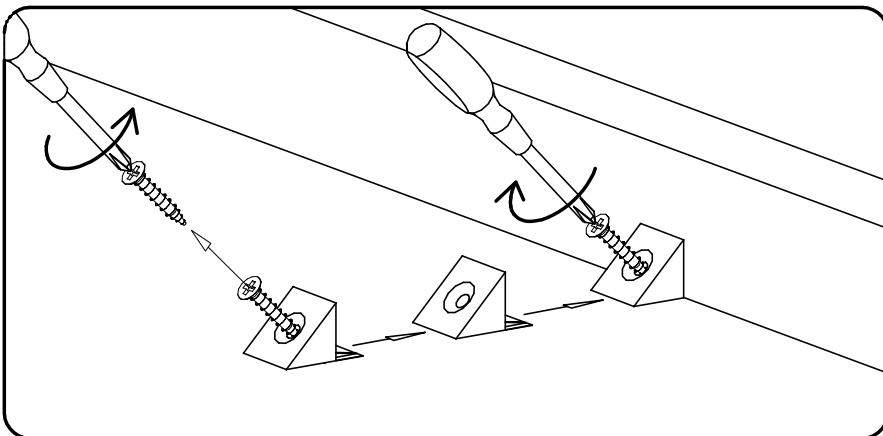
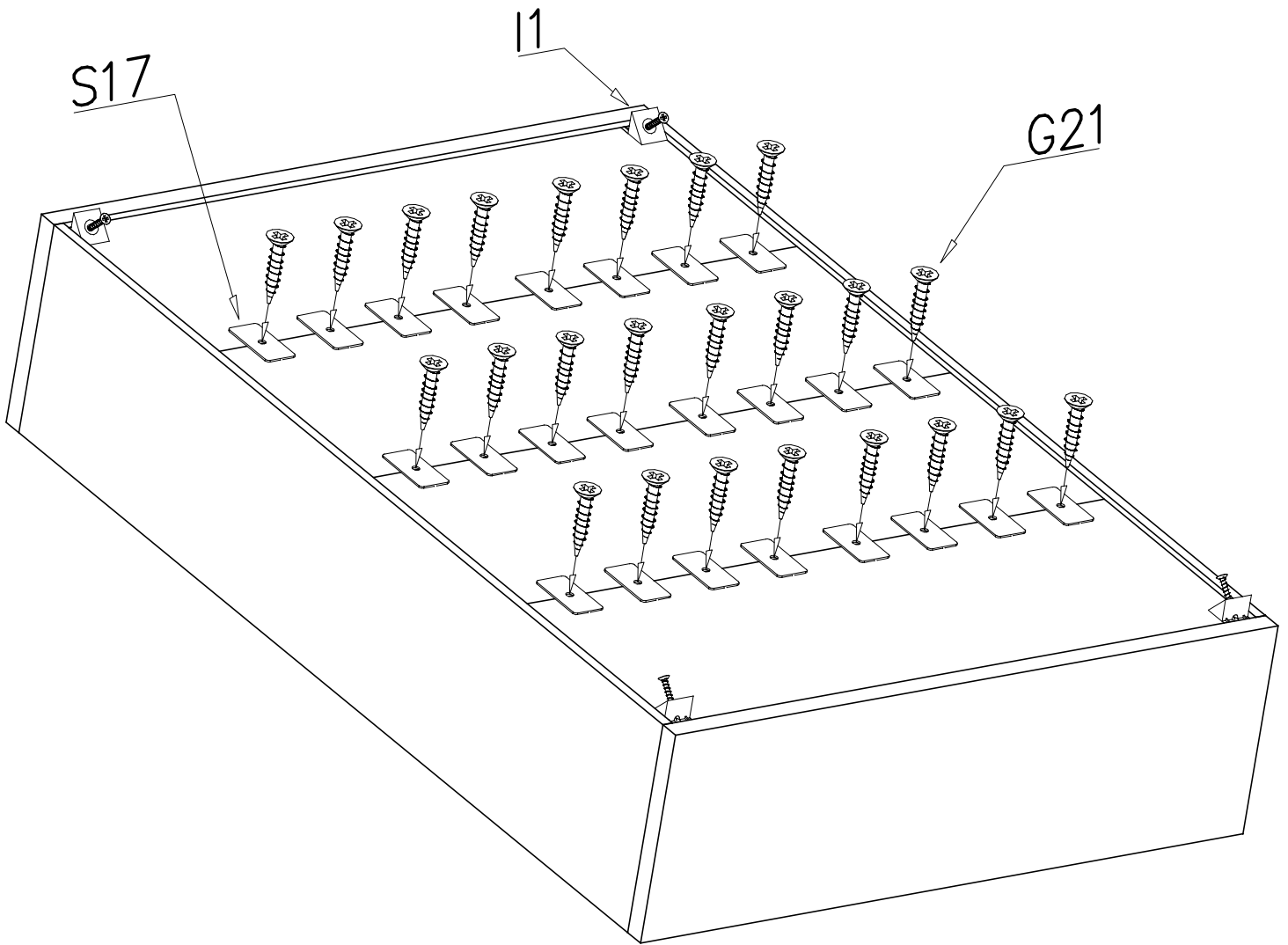
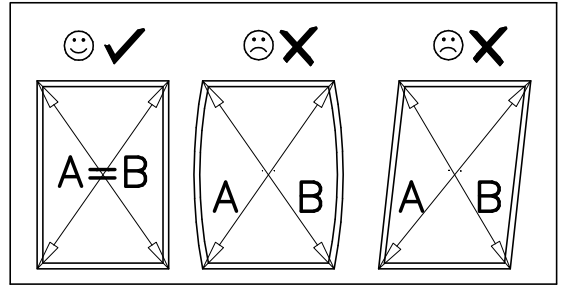
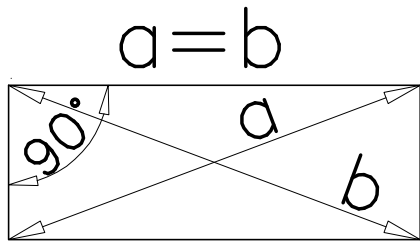
⑤



6



7



8

