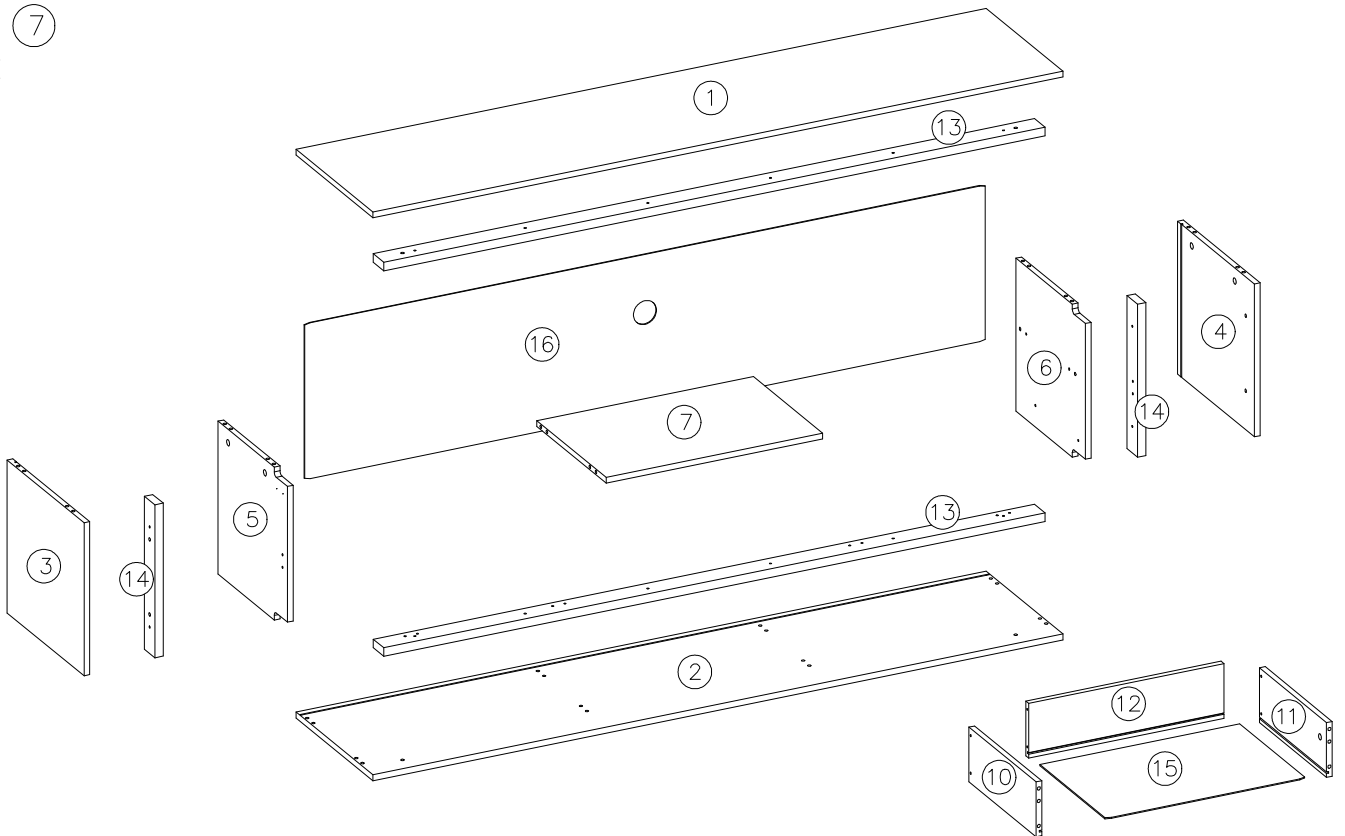

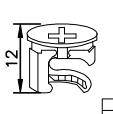
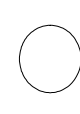






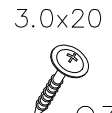




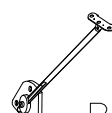
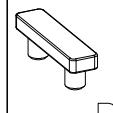
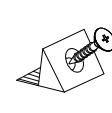
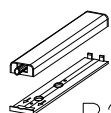
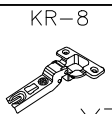
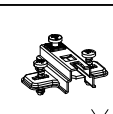
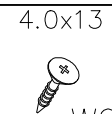
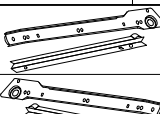
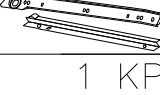
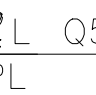
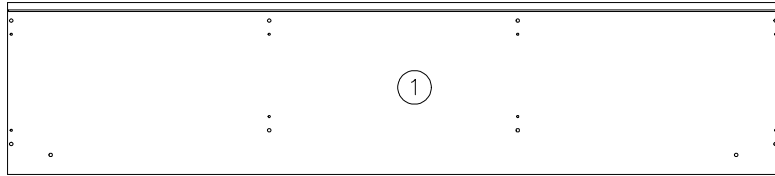


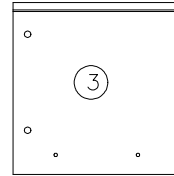
MAX
5kg



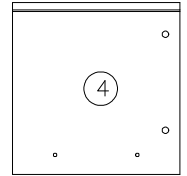
								
14	14	24	24	8	4	6	14	16
								
4	4	8	1	1	2	8	12	3
								
4	4	8	1 KPL					



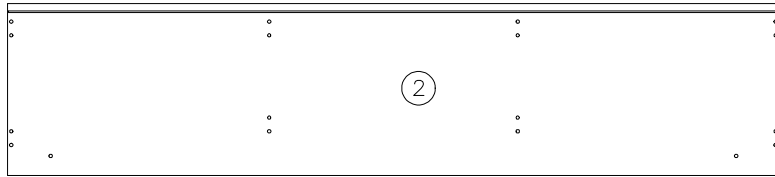
1801x401x15



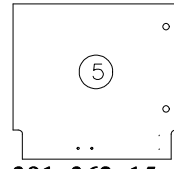
391x401x15



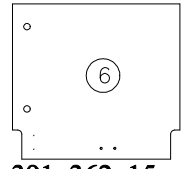
391x401x15



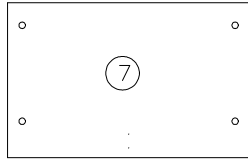
1801x401x15



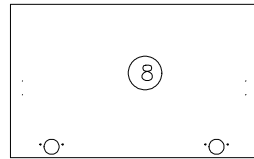
391x362x15



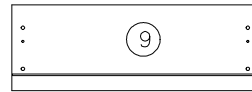
391x362x15



565x362x15



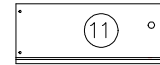
577x358x15 x2



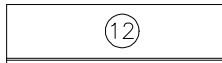
577x200x15



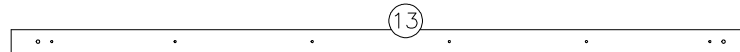
350x140x15



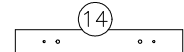
350x140x15



510x140x15



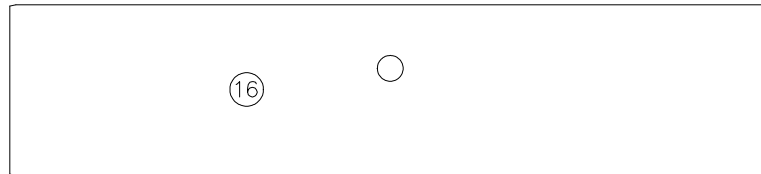
1725x55x22 x2



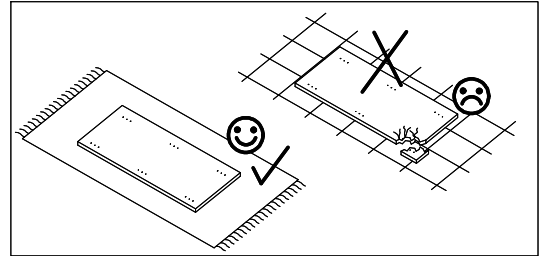
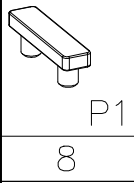
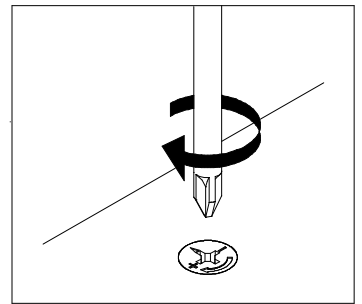
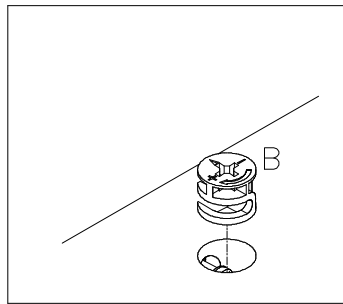
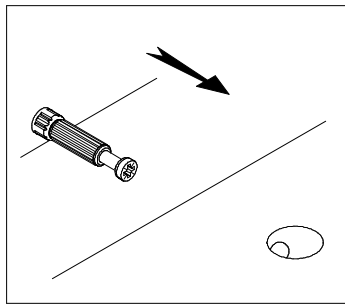
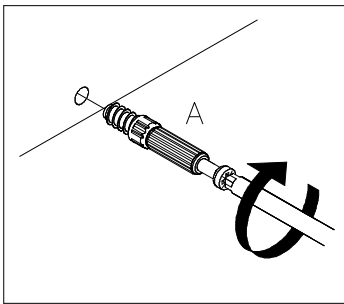
391x55x22 x2



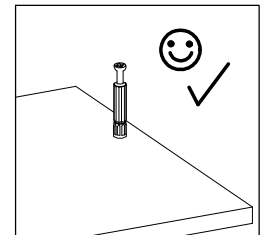
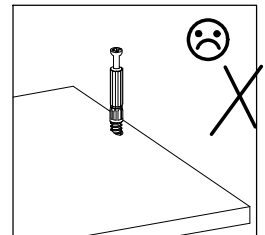
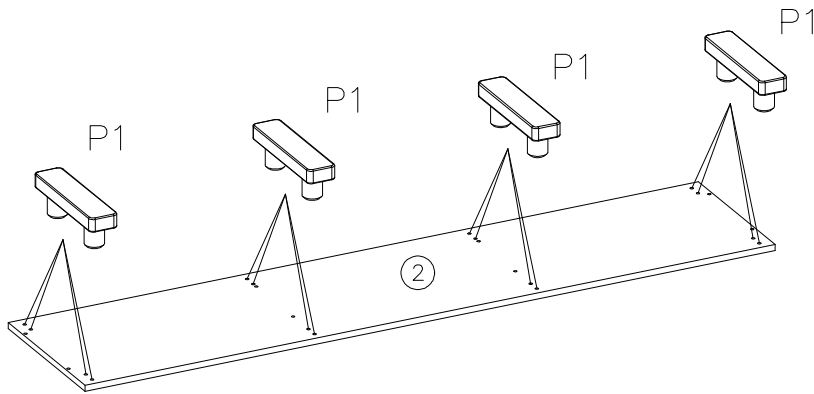
521x344x3



1776x398x3



1



8.0x20

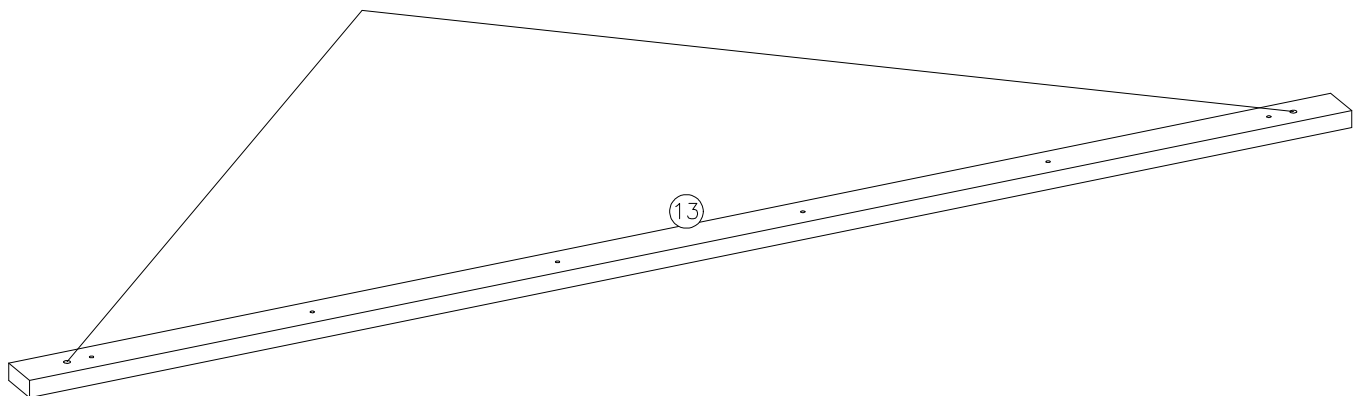


4

2



x2



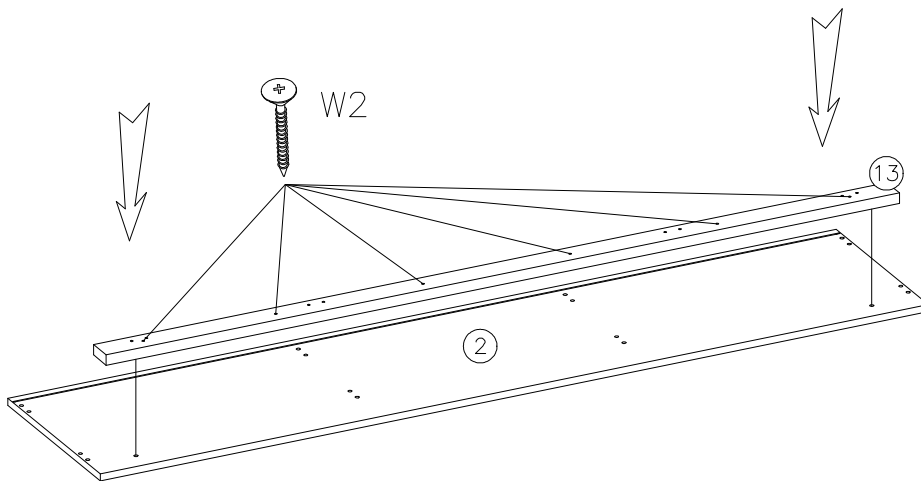
3.5x30



W2

6

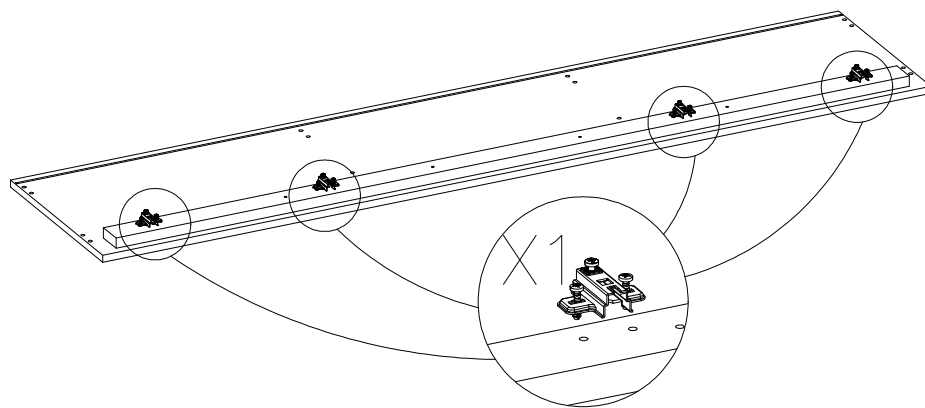
3



X1

4

4



B

4

8.0x30



D

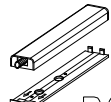
8

3.5x13



W8

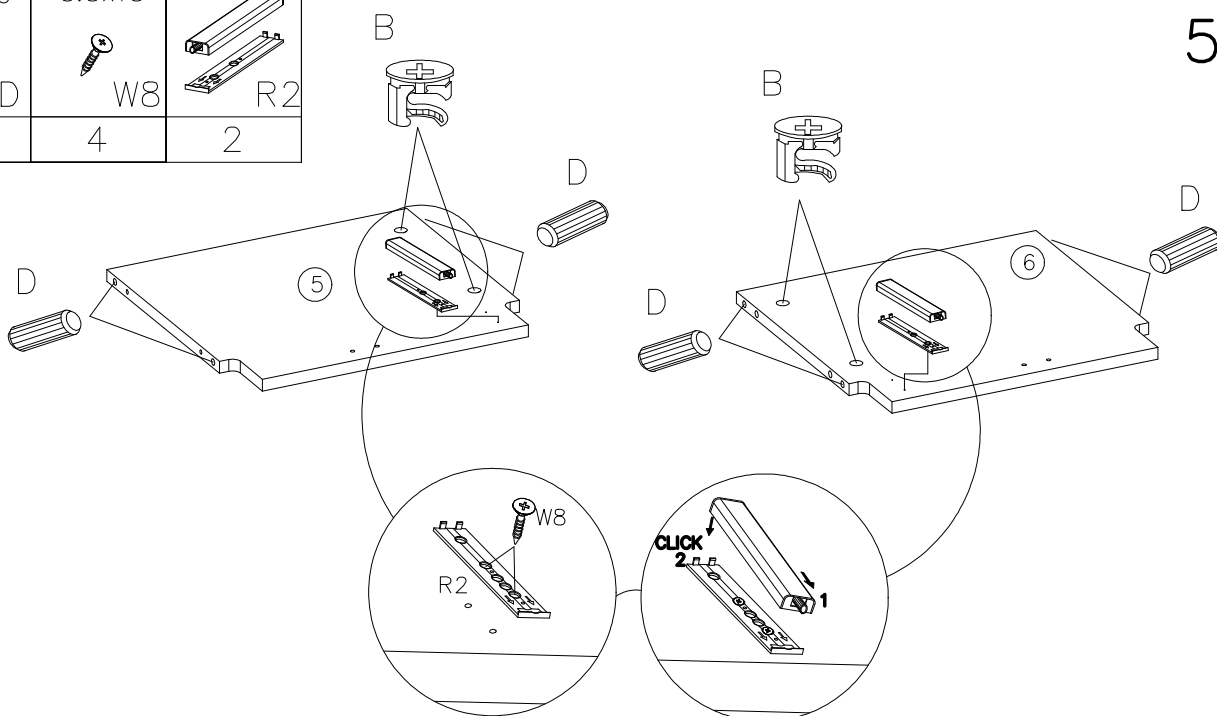
4




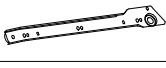
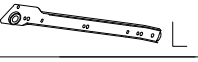


R2

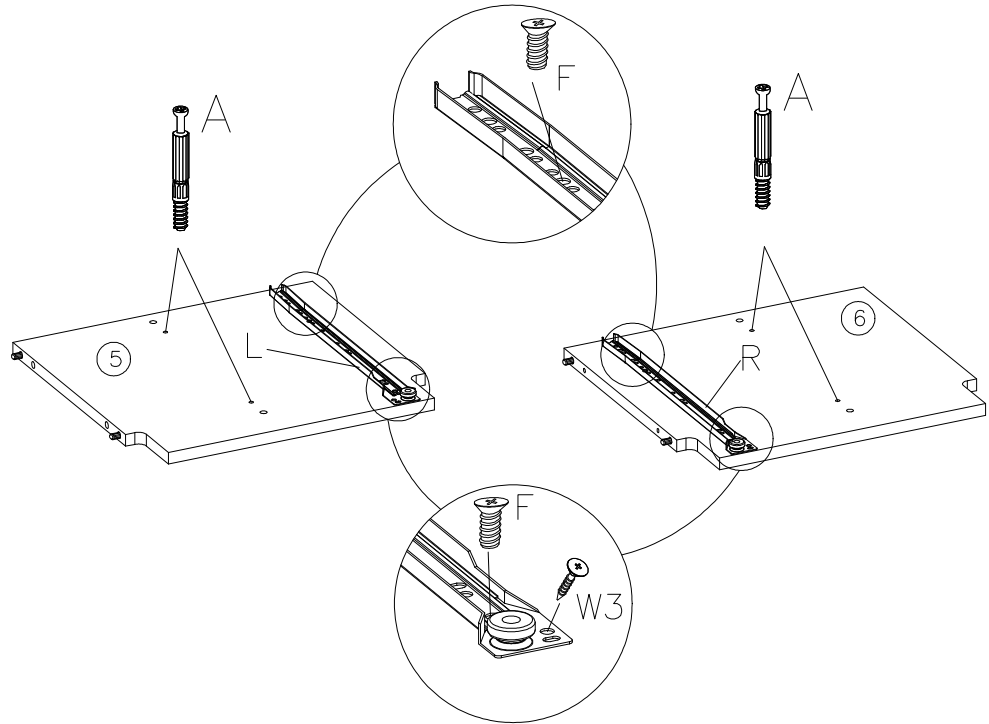
2

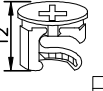
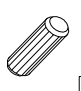


5



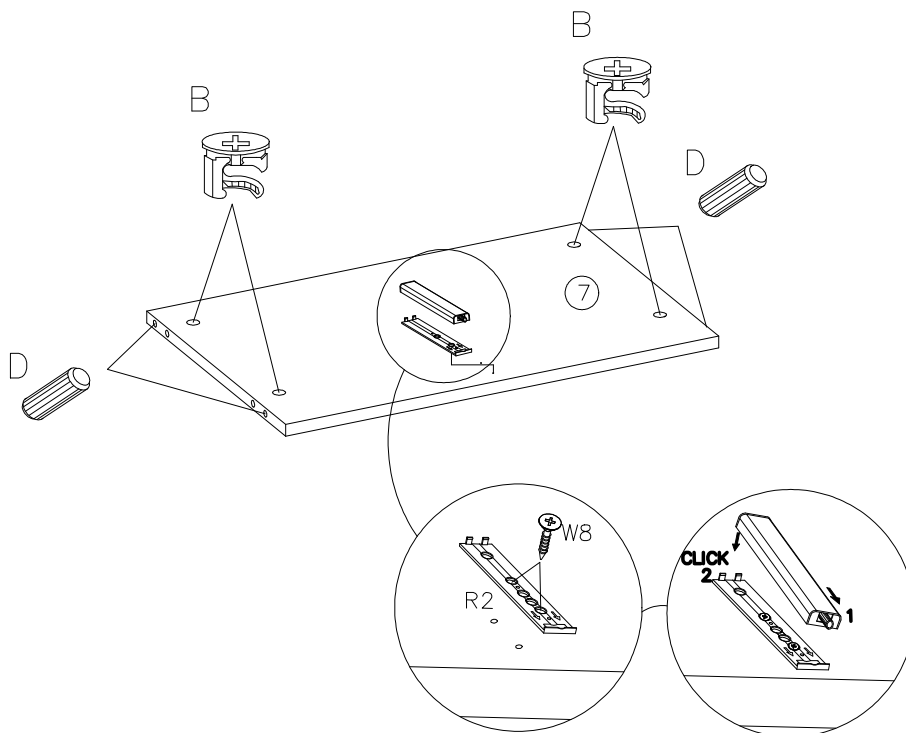
 A	6.3x13  F	3.0x13  W3	 R  L Q5
4	4	2	1 KPL

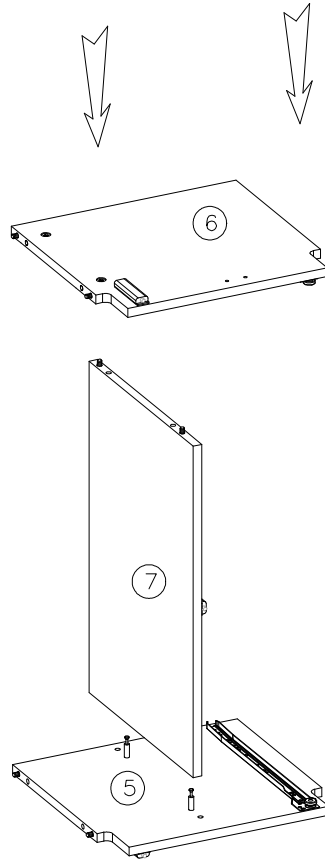
5

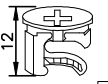


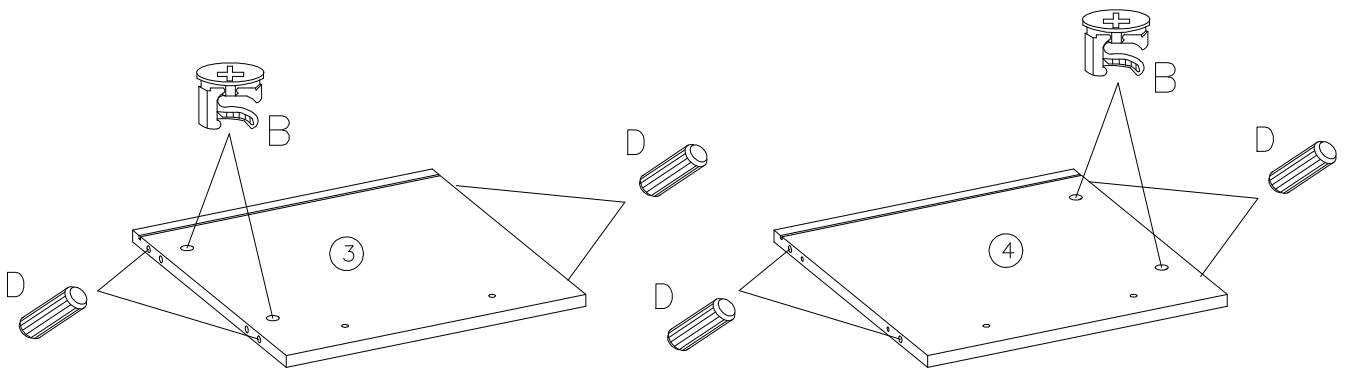
 B	8.0x30  D	3.5x13  W8	 R2
4	4	2	1

6





	8.0x30
B	D
4	8



8.0x20

3.5x30



D10

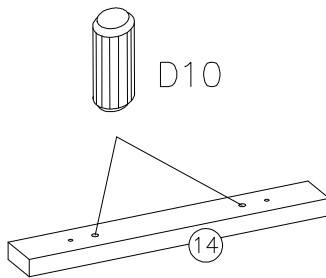


W2

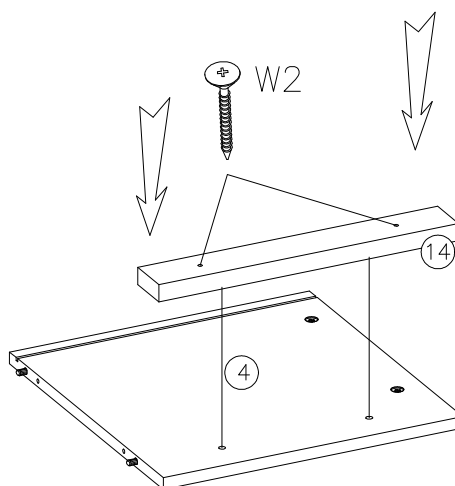
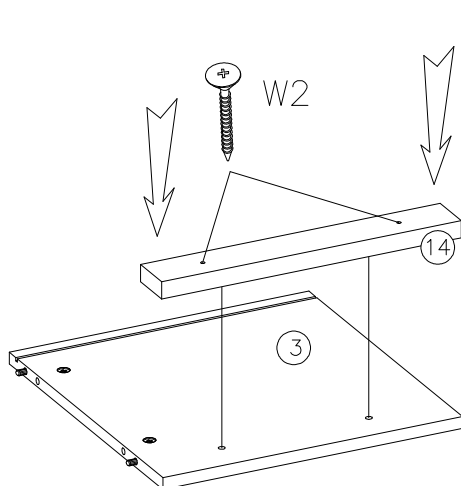
4

4

9



x2



6.4x50

4mm



K1

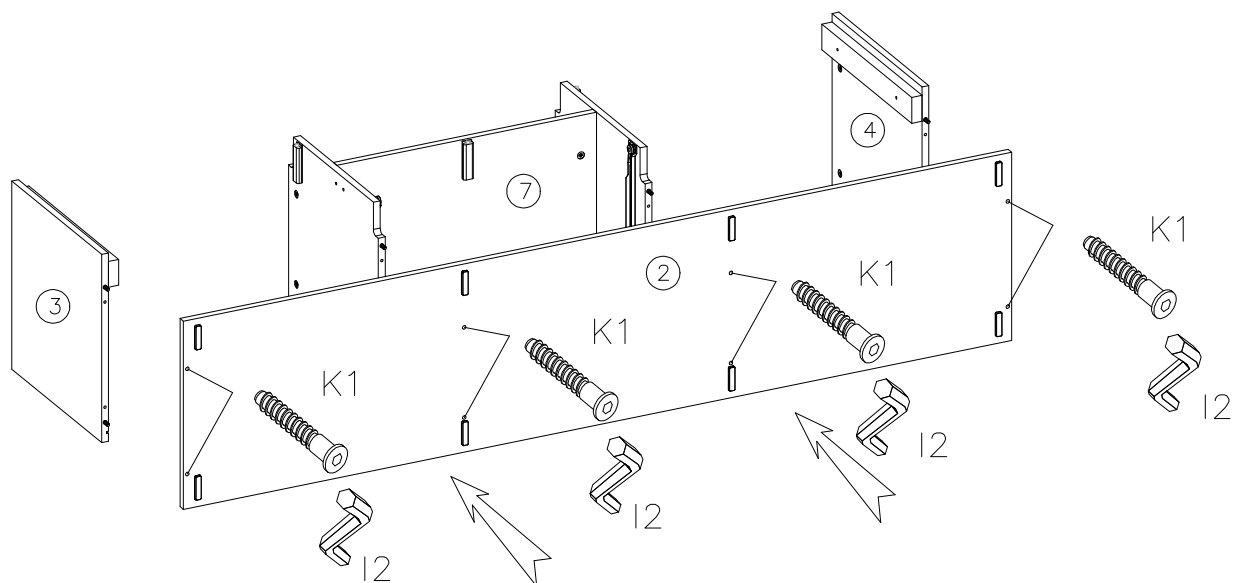


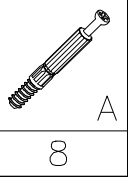
I2

8

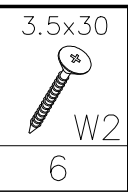
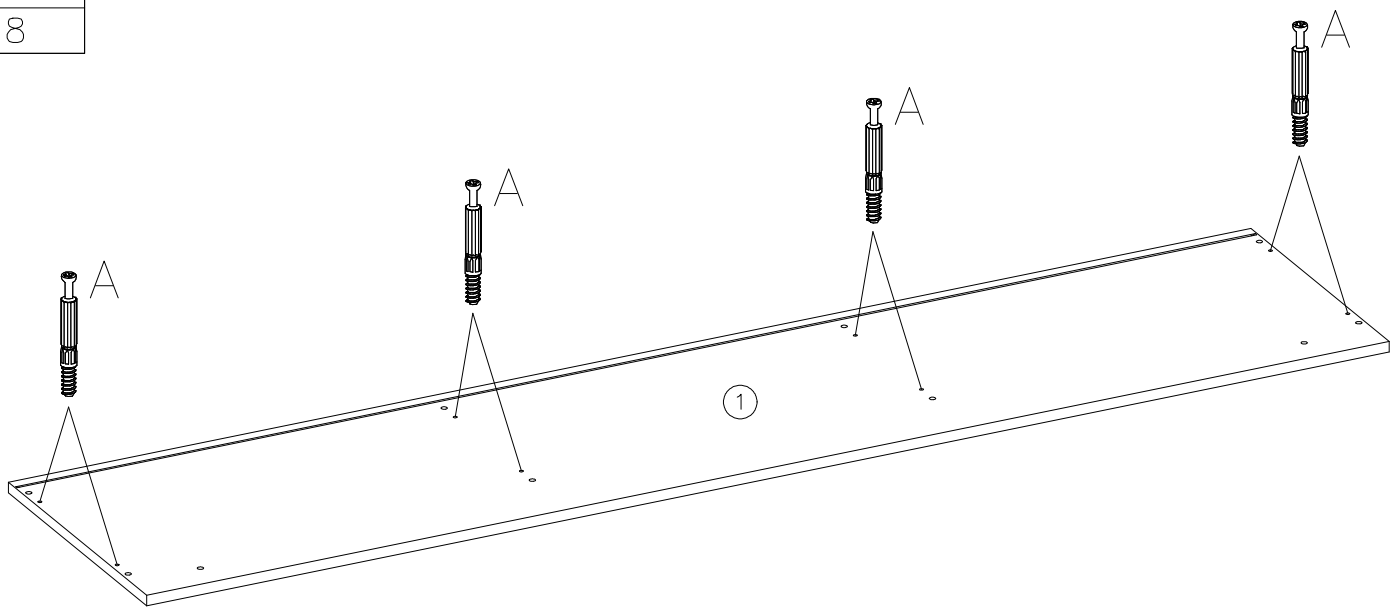
1

10

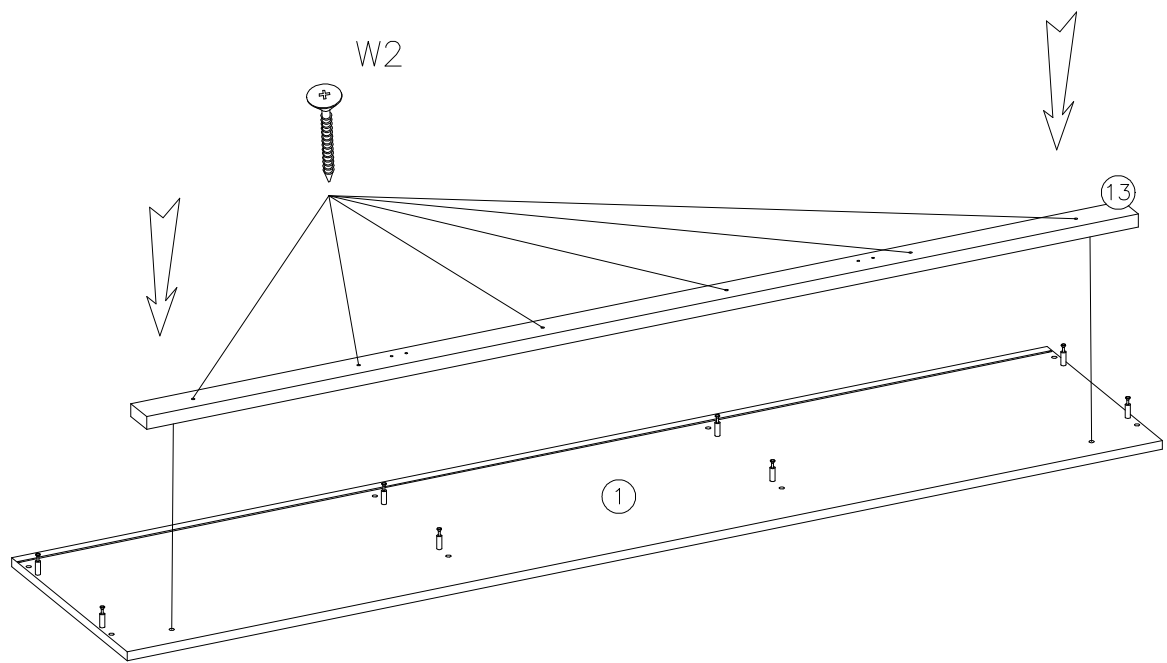


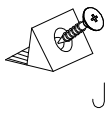
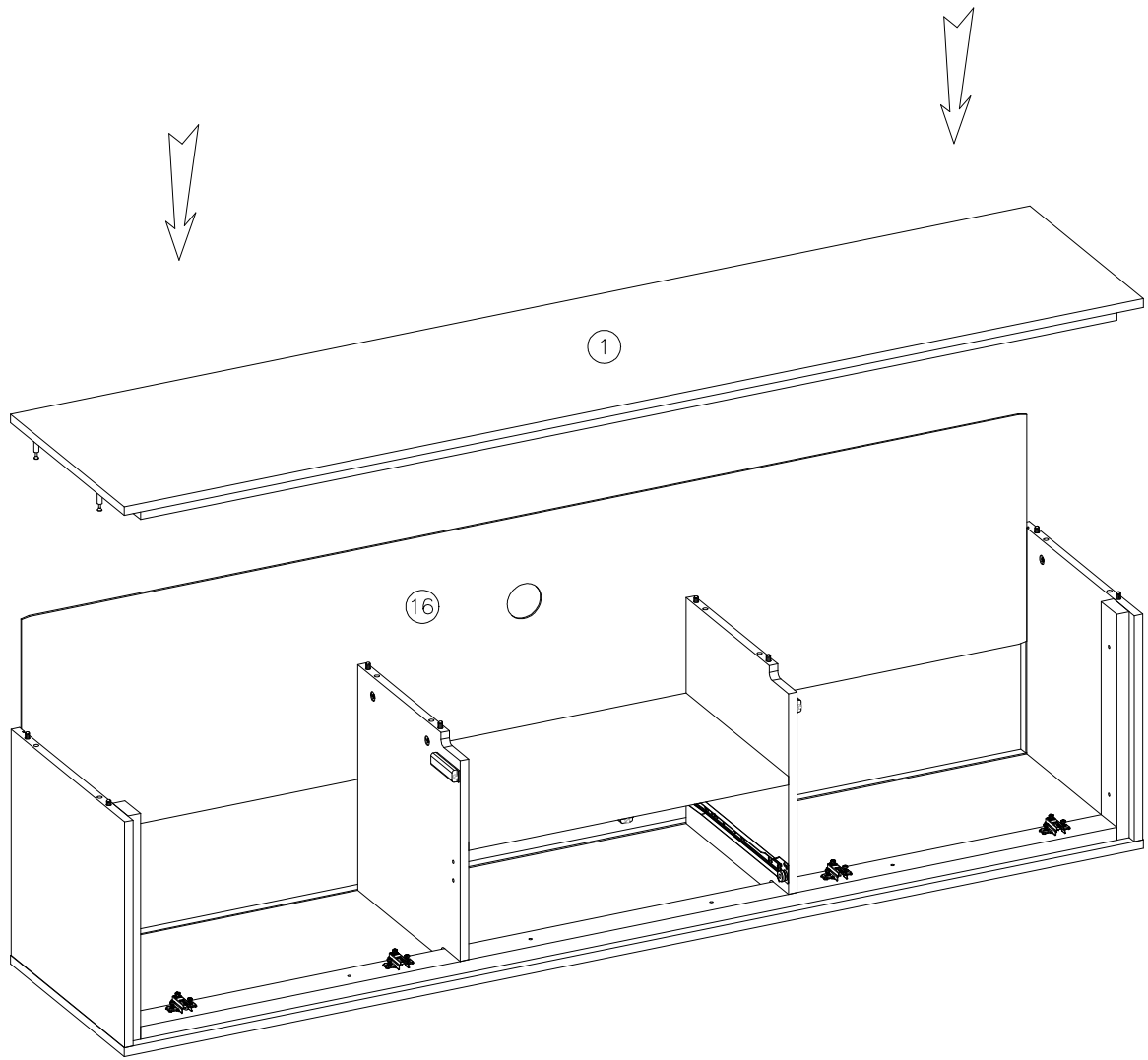


13

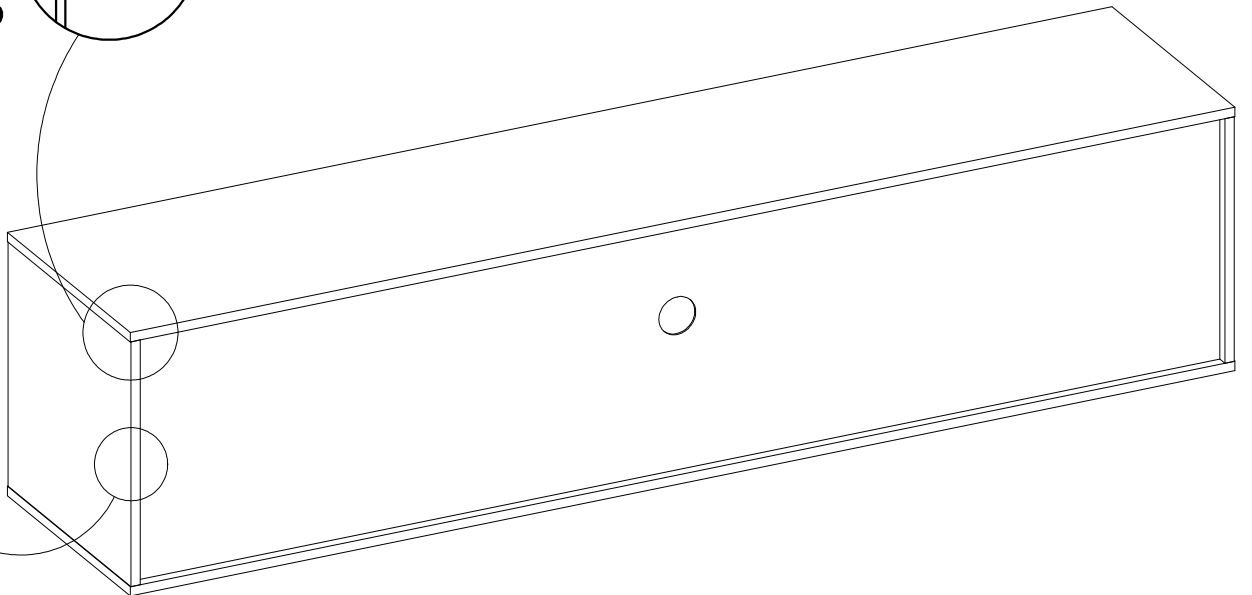
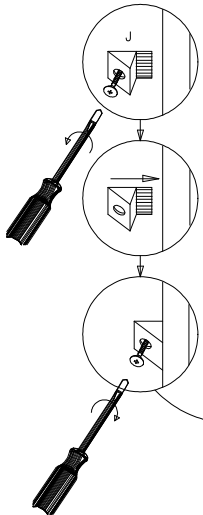
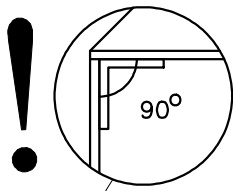


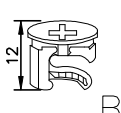



14



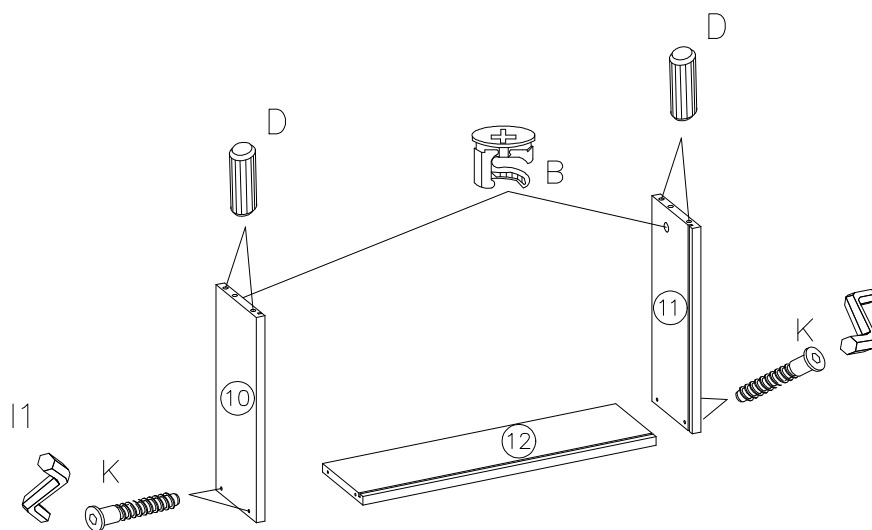


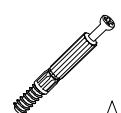
12



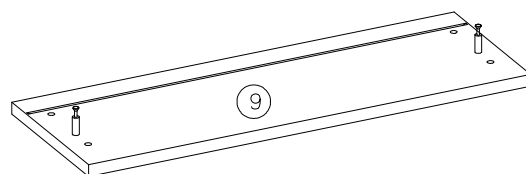
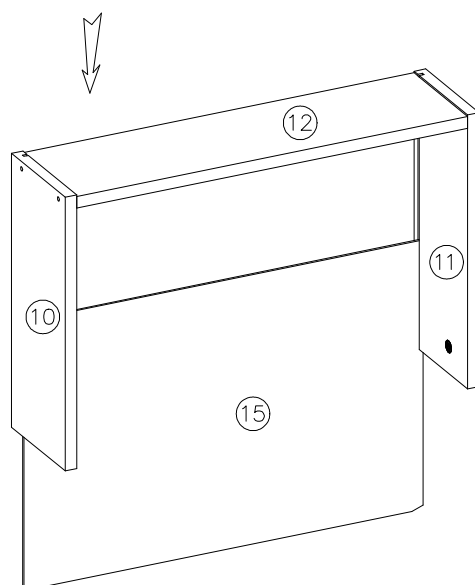
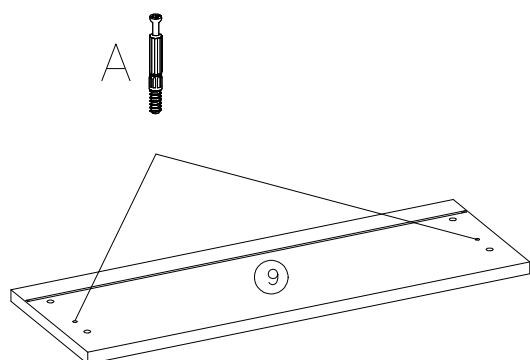
 B	 8.0x30	 5.0x50	 3mm
2	4	4	1




17

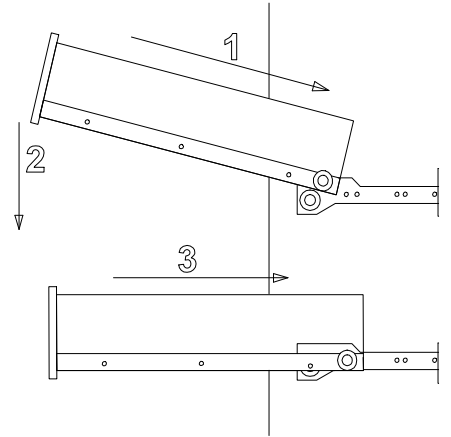
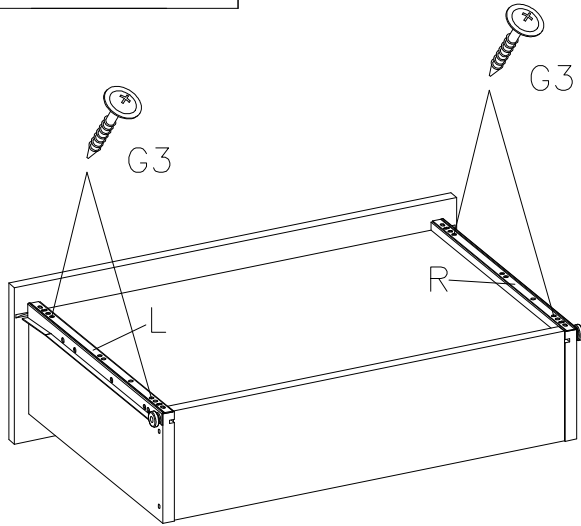


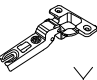

 A
2

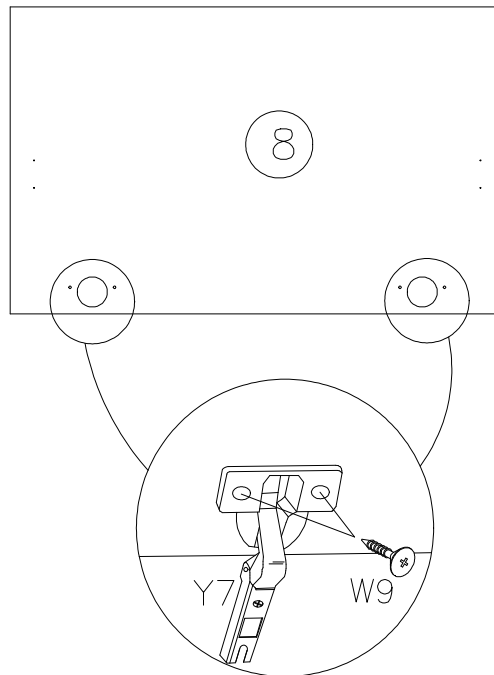
18




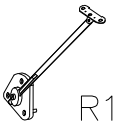
3.0x20  G3	 R
4	 L Q5
	1 KPL

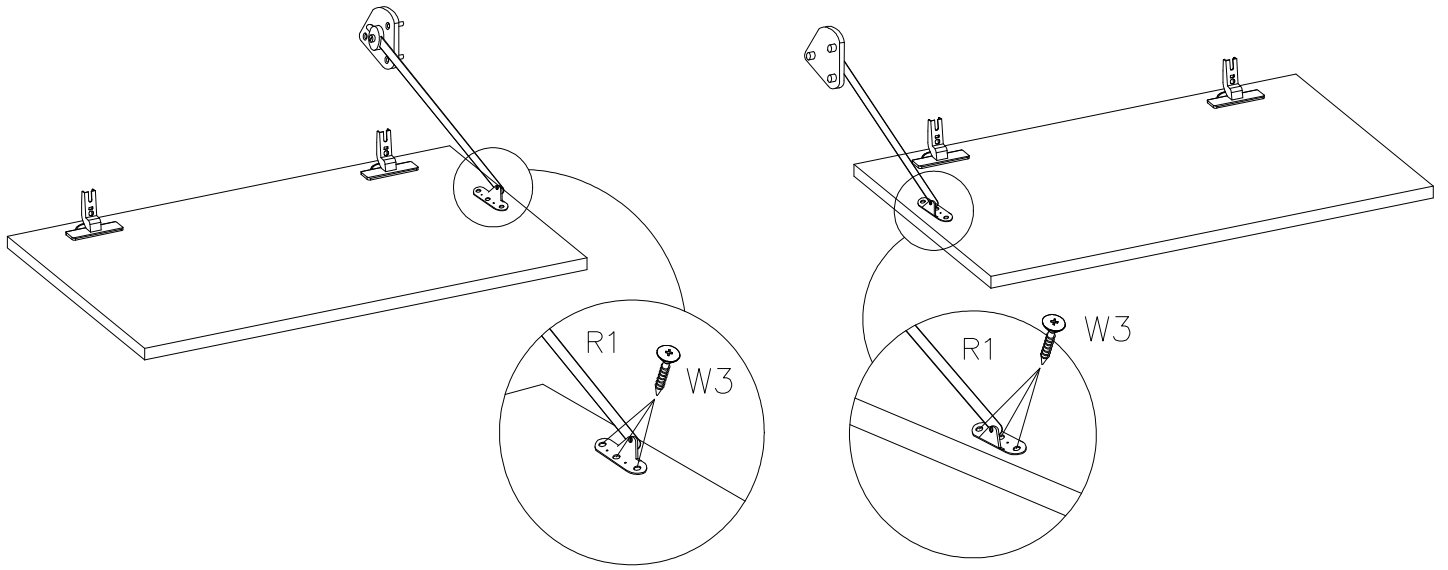



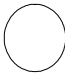
KR-8  Y7	4.0x13  W9
4	8



x2

3.0x13  W3 6	 R1 2
--	---



3.0x13  W3 6	 C1 24
---	---

