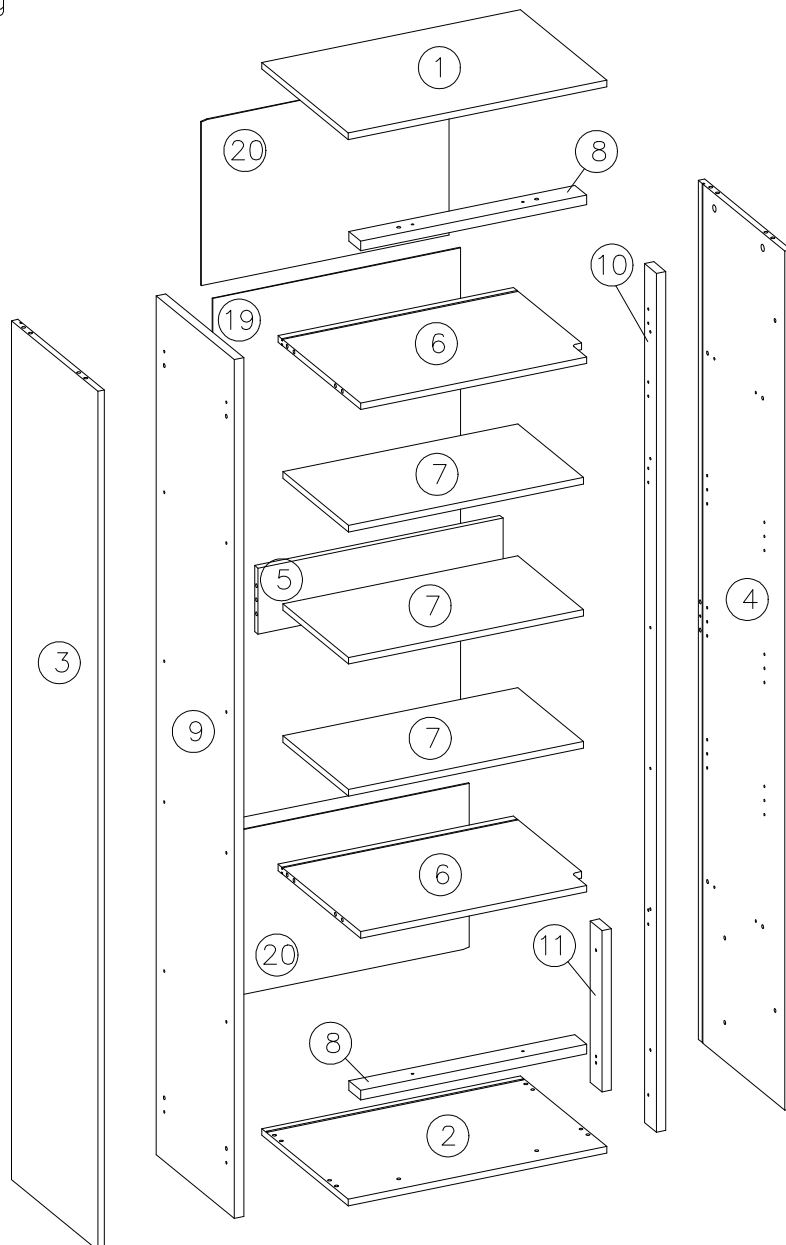
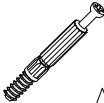
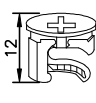
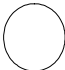
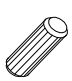







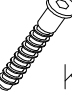

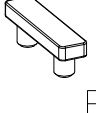
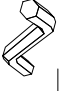

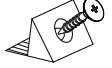
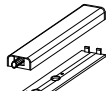
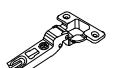

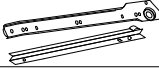
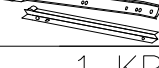
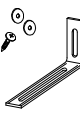

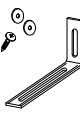
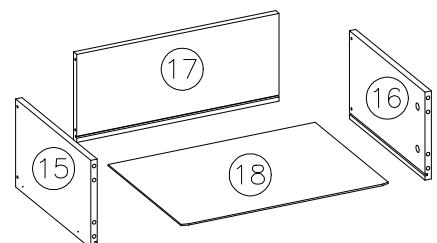
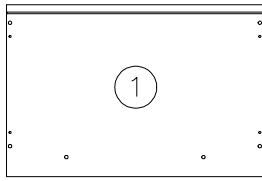

 (6) (7)  
 MAX  
 5kg

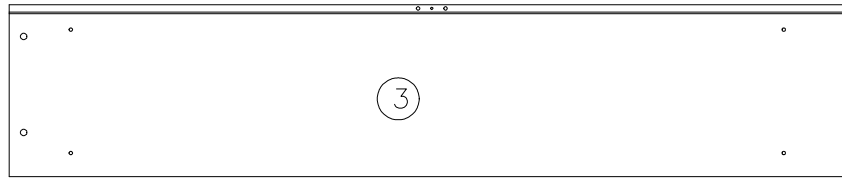


 A	 B	 C1	 D
18	18	22	24
8.0x20	6.3x13	3.5x13	3.0x13
 D10	 F	 W8	 W3
12	4	4	2
3.5x30	3.0x20	5.0x50	6.4x50
 W2	 G3	 K	 K1
24	4	4	4
3mm	4mm	 E	 P1
 I1	 I2		
1	1	12	4
 J	 R2	 Y7	 X1
14	2	4	4
4.0x13	 R	 L	 Q5
 W9			 J3
8	1 KPL		2

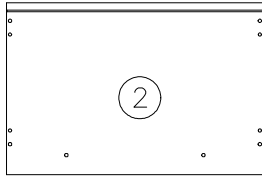




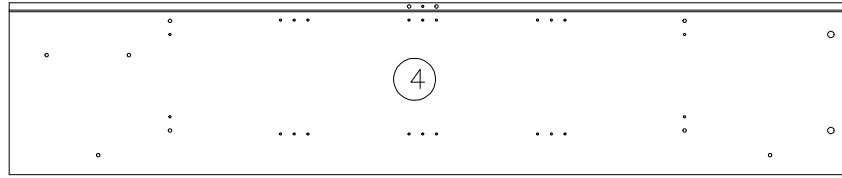
600x401x15



1952x401x15



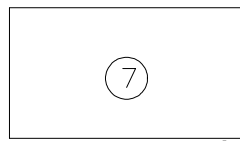
600x401x15



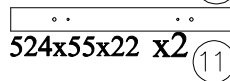
1952x401x15



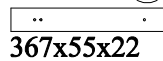
568x150x15



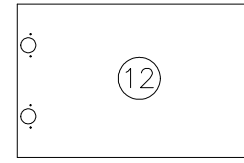
545x305x15 x3



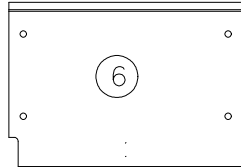
524x55x22 x2



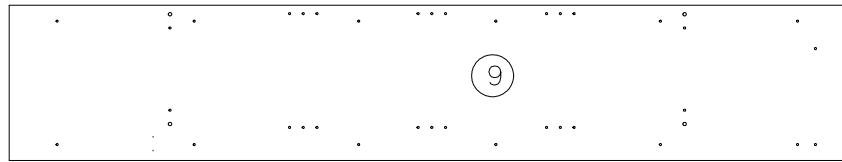
367x55x22



536x358x15



546x383x15 x2



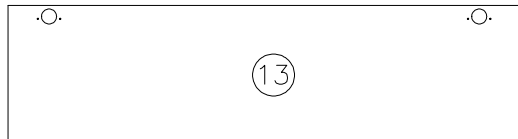
1952x362x22



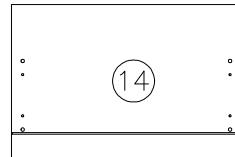
469x200x15



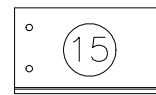
1952x55x22



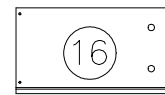
313x1196x15



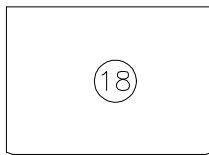
536x358x15



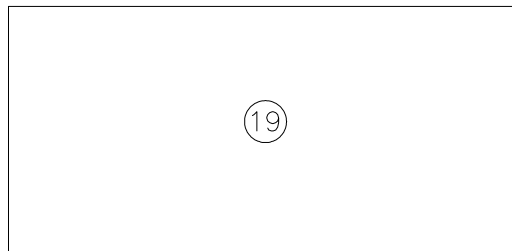
350x200x15



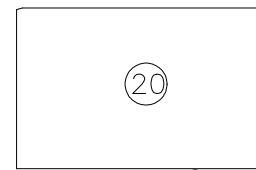
350x200x15



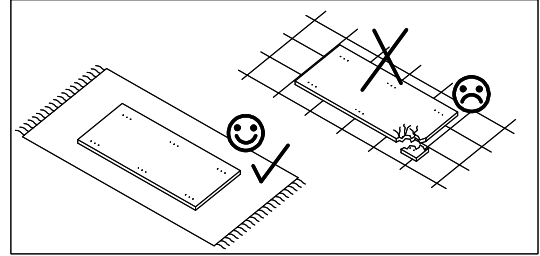
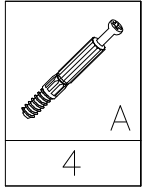
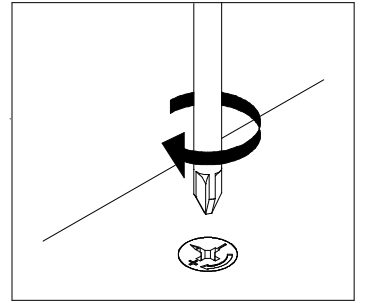
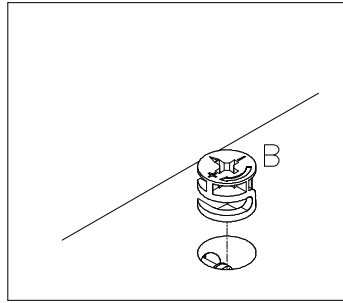
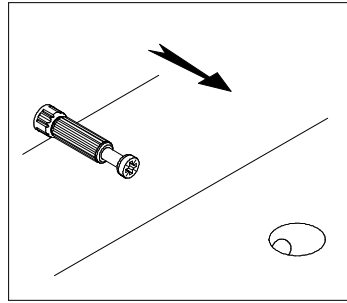
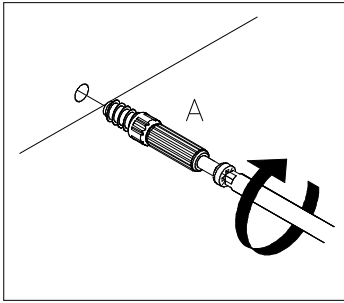
480x344x3



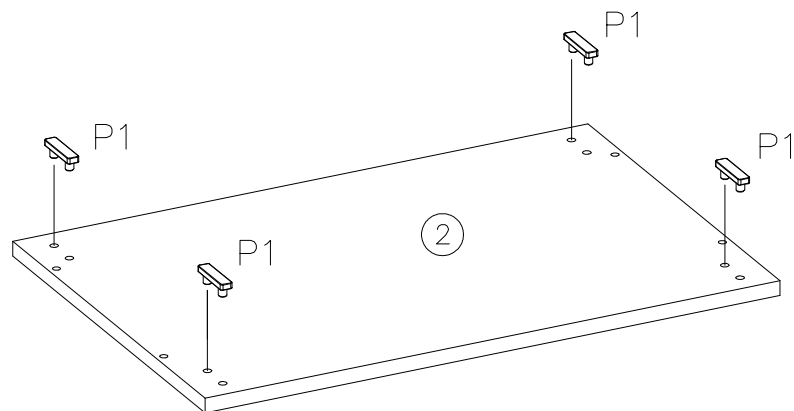
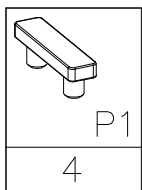
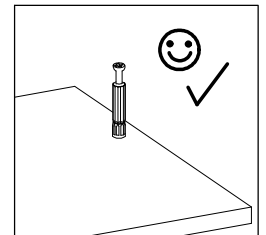
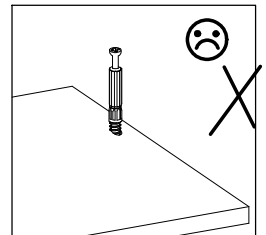
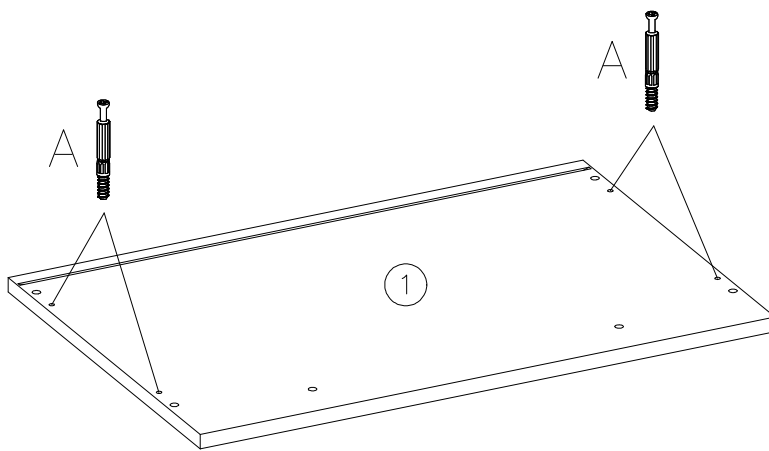
1193x575x3




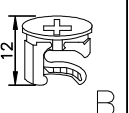
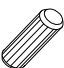
575x375x3 x2



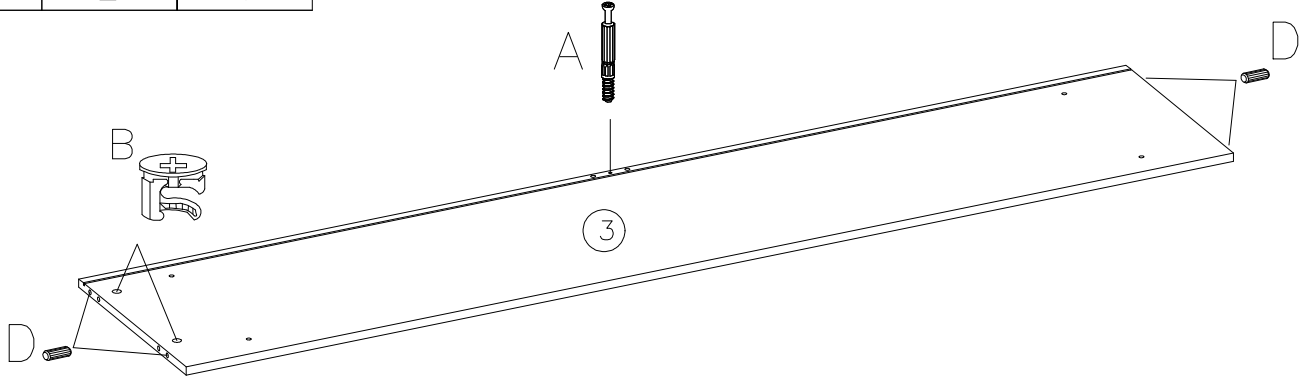
1

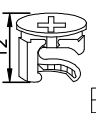
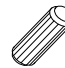


2

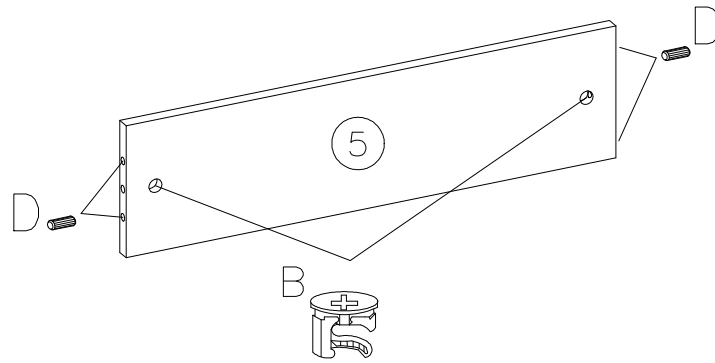
 A	 B	8.0x30  D
1	2	4

3

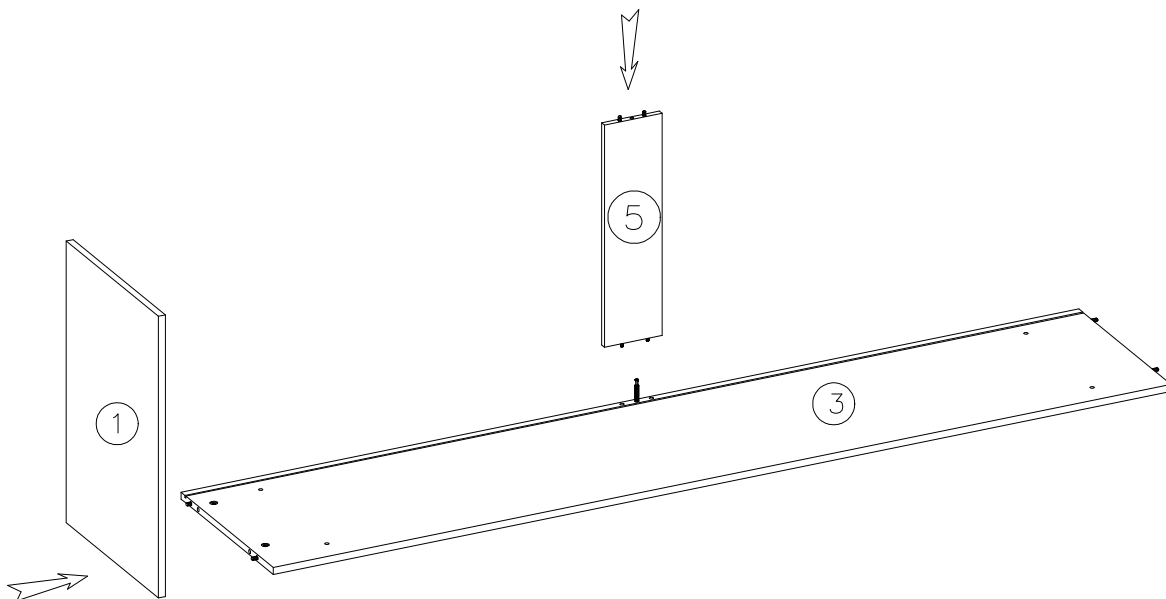


 B	8.0x30  D
2	4


4

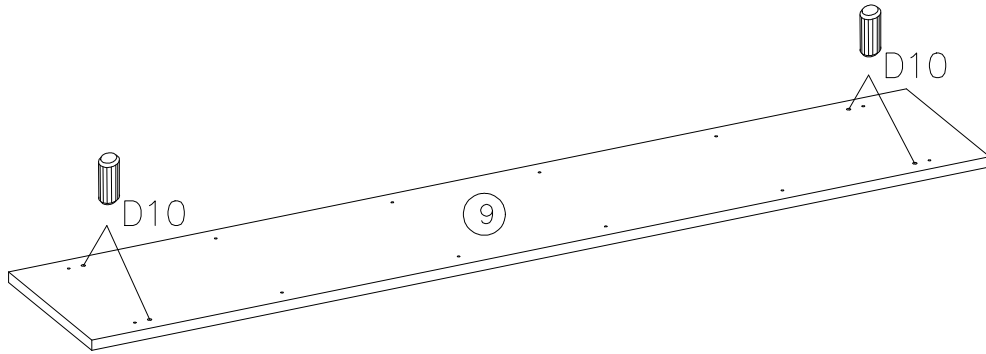


5




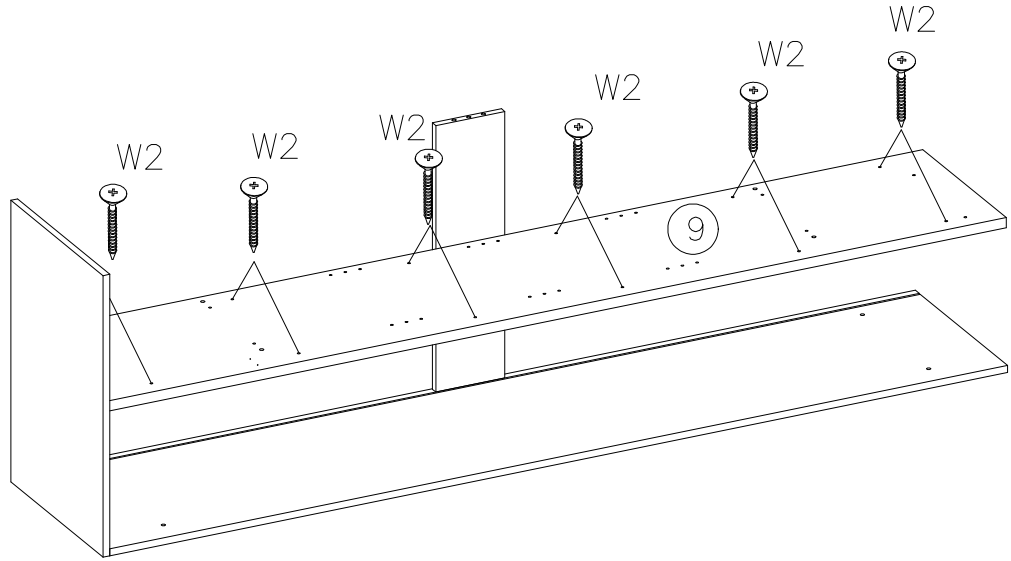
5

8.0x20
 D10
4

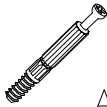
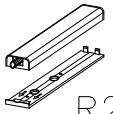



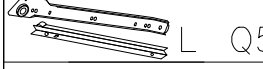


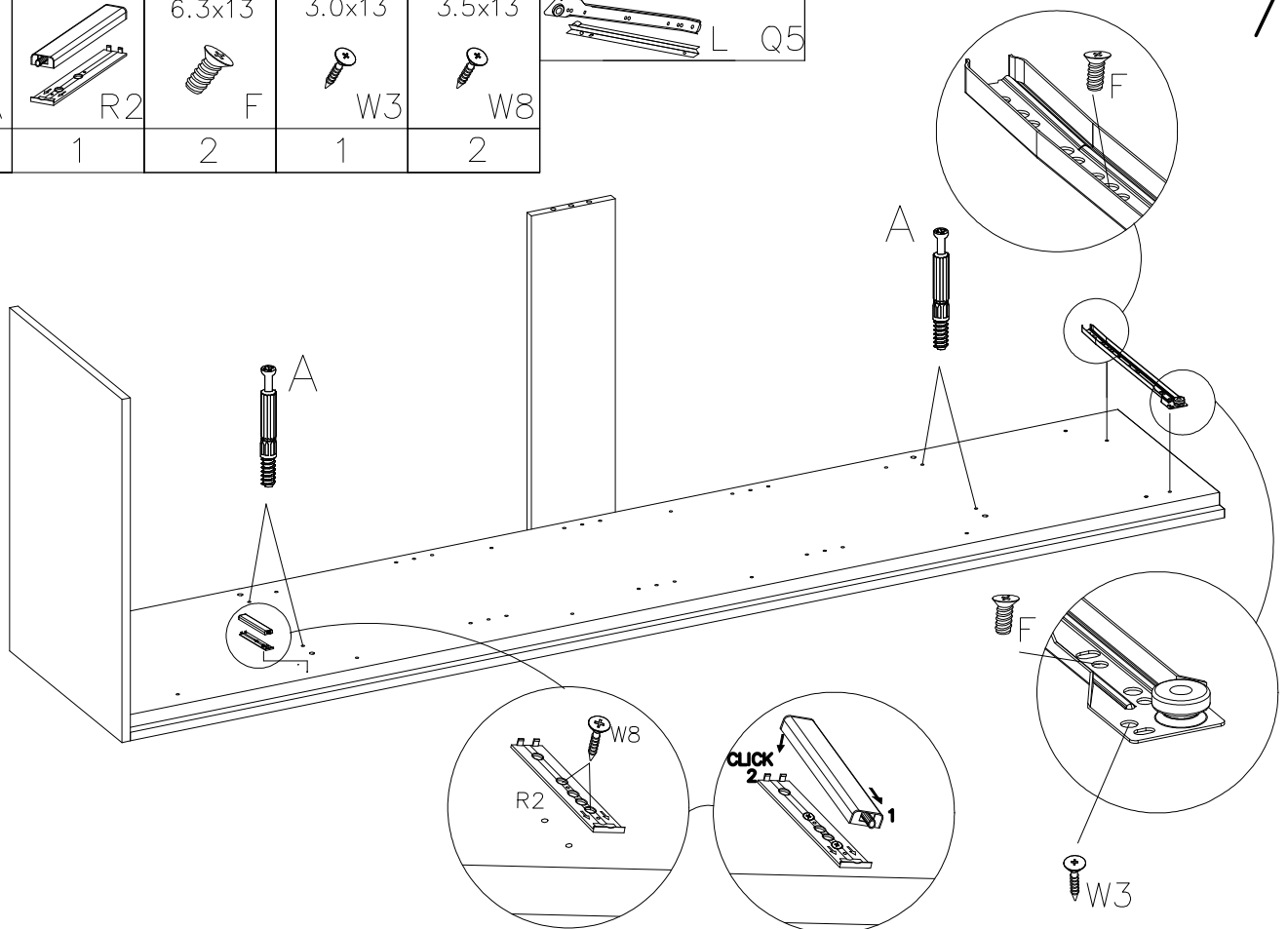
6

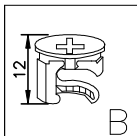
3.5x30
 W2
12



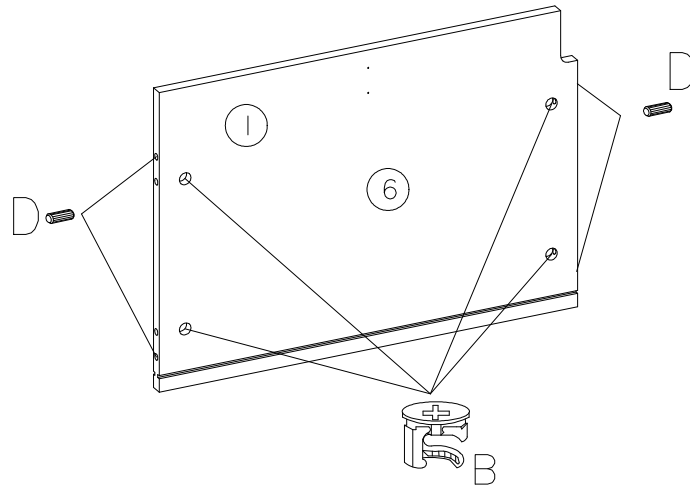
7

 A	 R2	6.3x13  F	3.0x13  W3	3.5x13  W8	 L Q5
4	1	2	1	2	

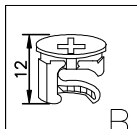
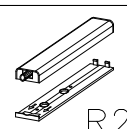


	8.0x30
B	D
4	4

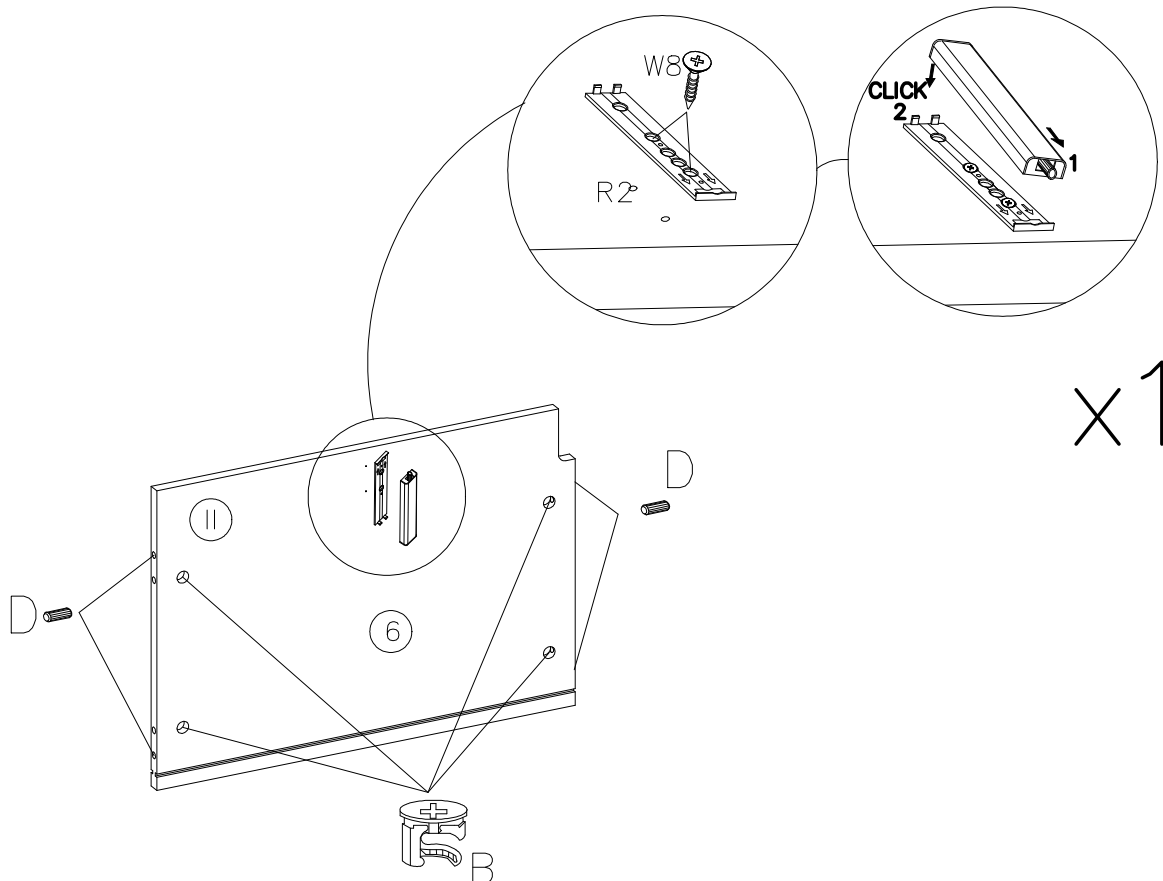
8




x1

	8.0x30		3.5x13
B	D	R2	W8
4	4	1	2

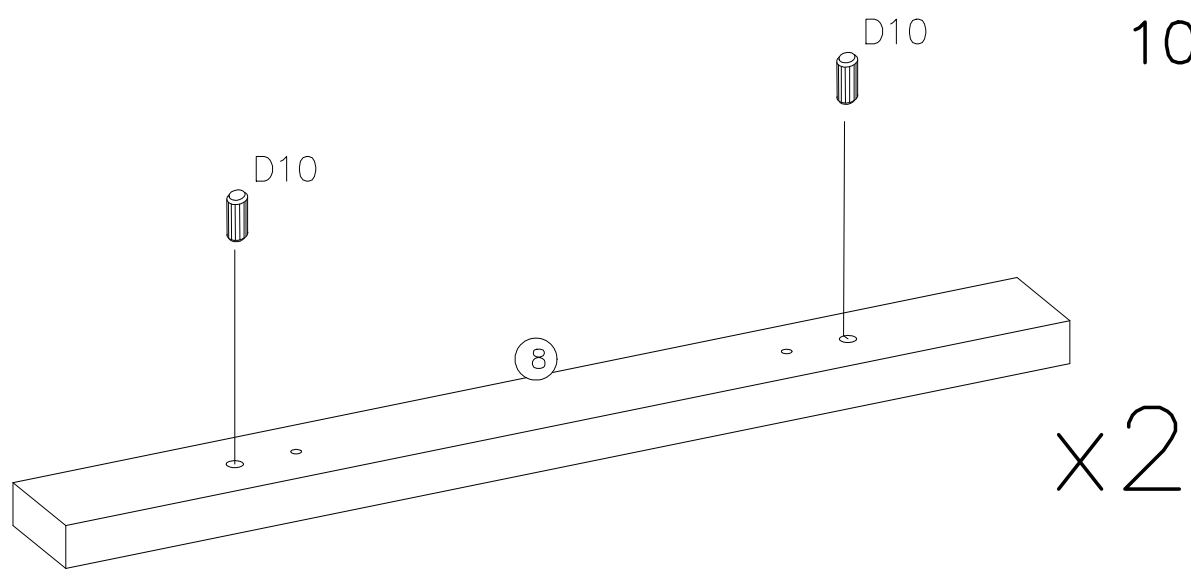
9




x1

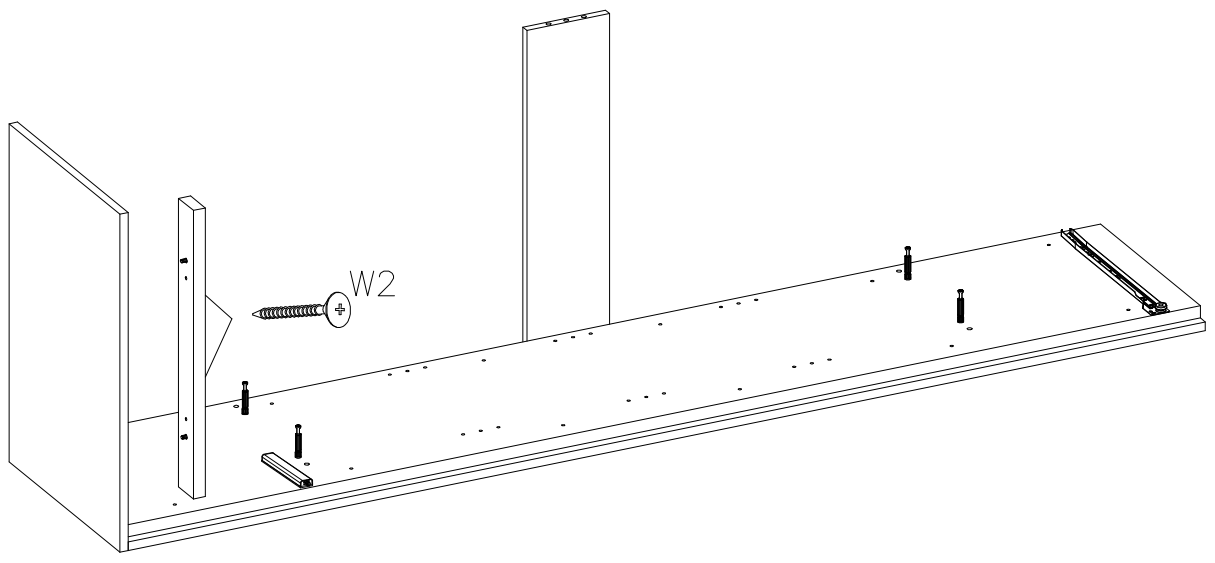
8.0x20

D10
4

10

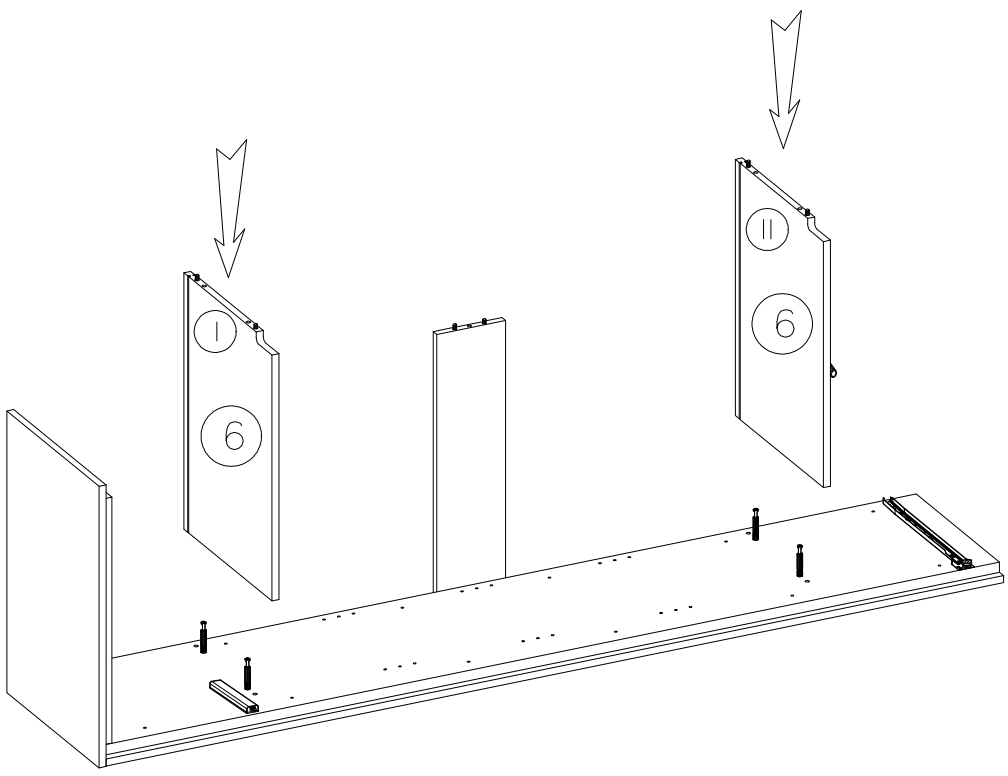


3.5x30

W2
2

11




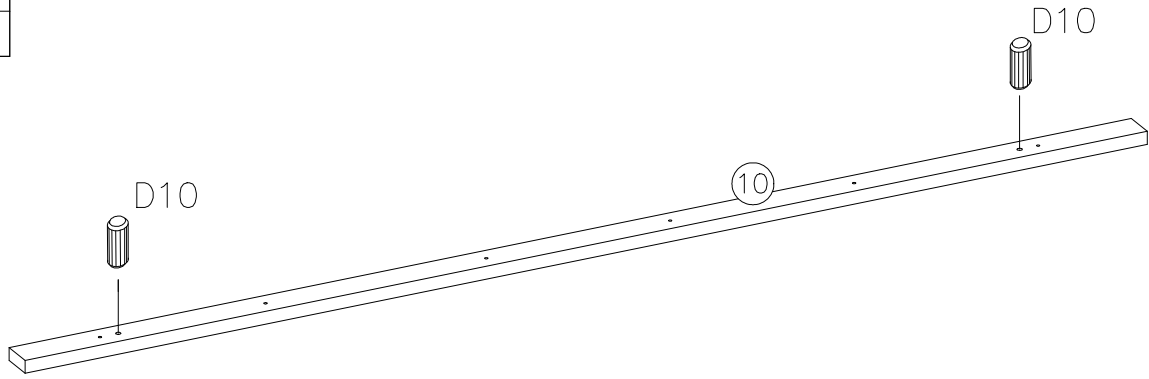
12






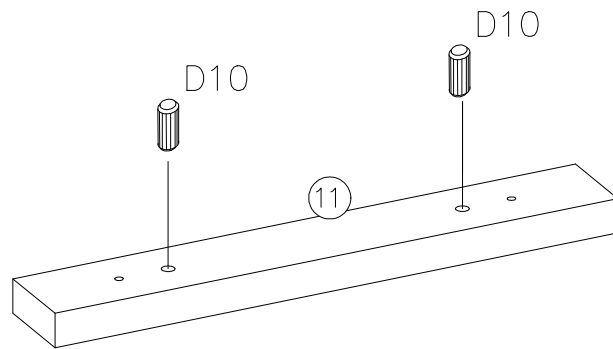
13

8.0x20

D10
2

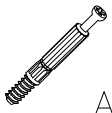
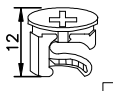
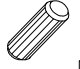


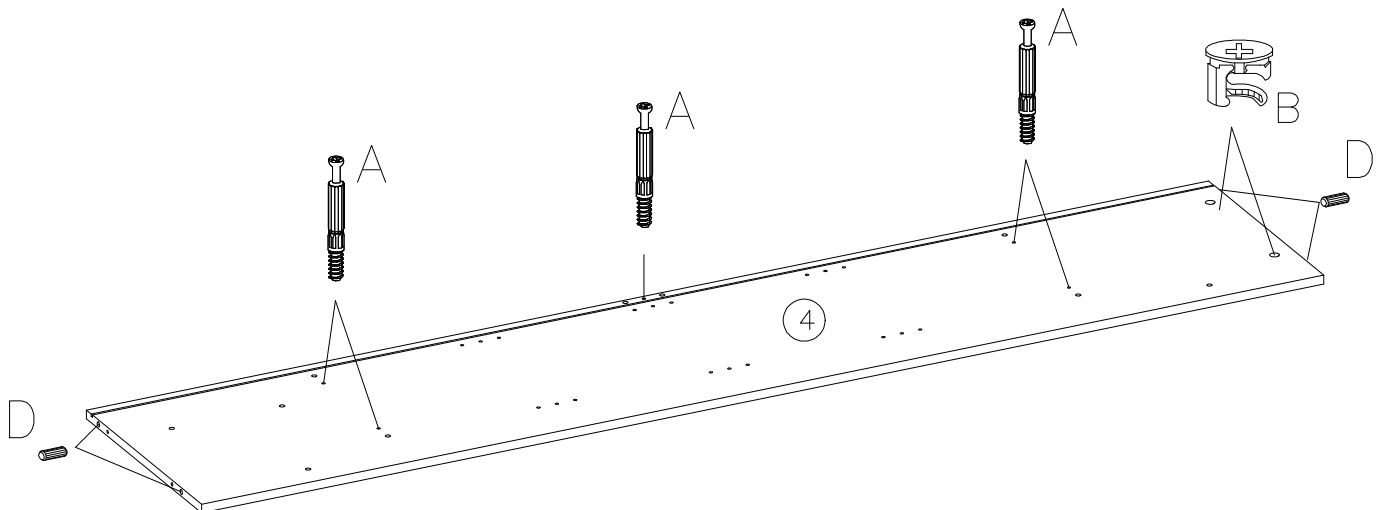
14

8.0x20

D10
2



15

		8.0x30
A	B	
5	2	4



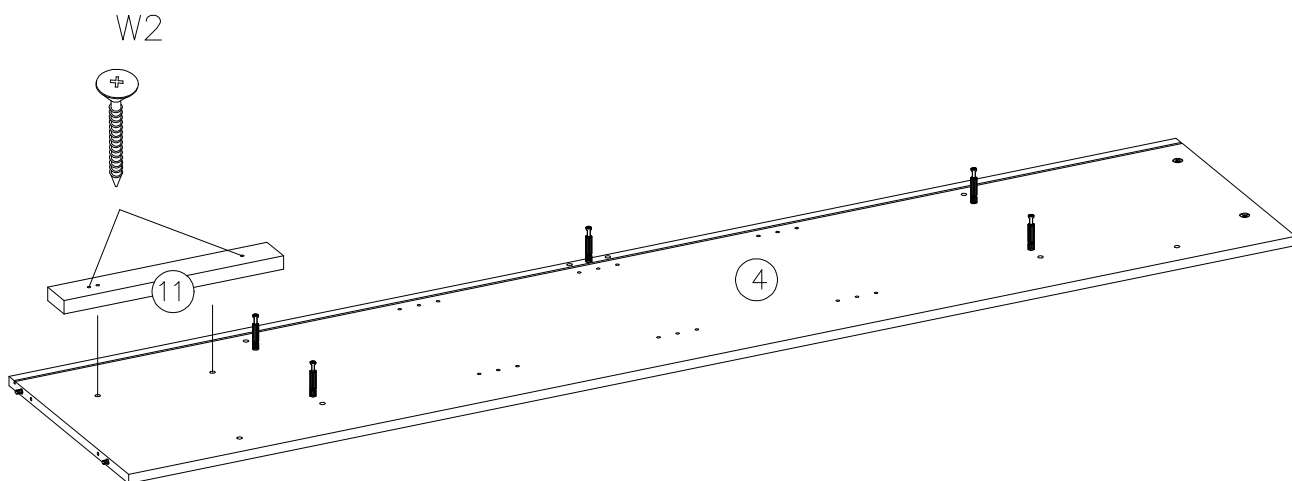
3.5x30



W2

2

16



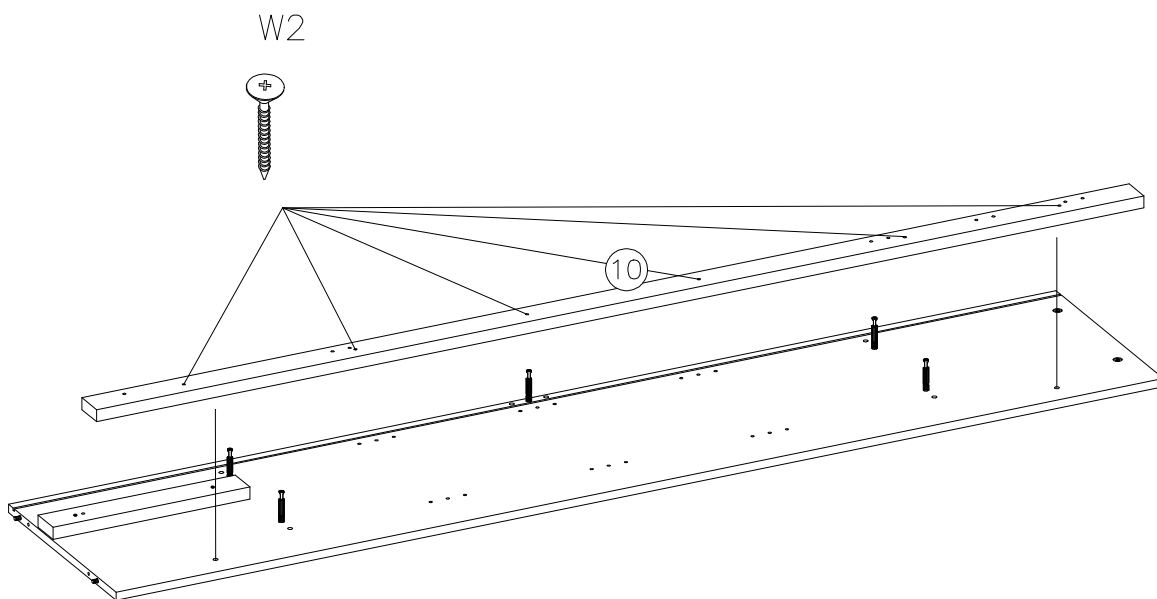
3.5x30



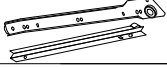


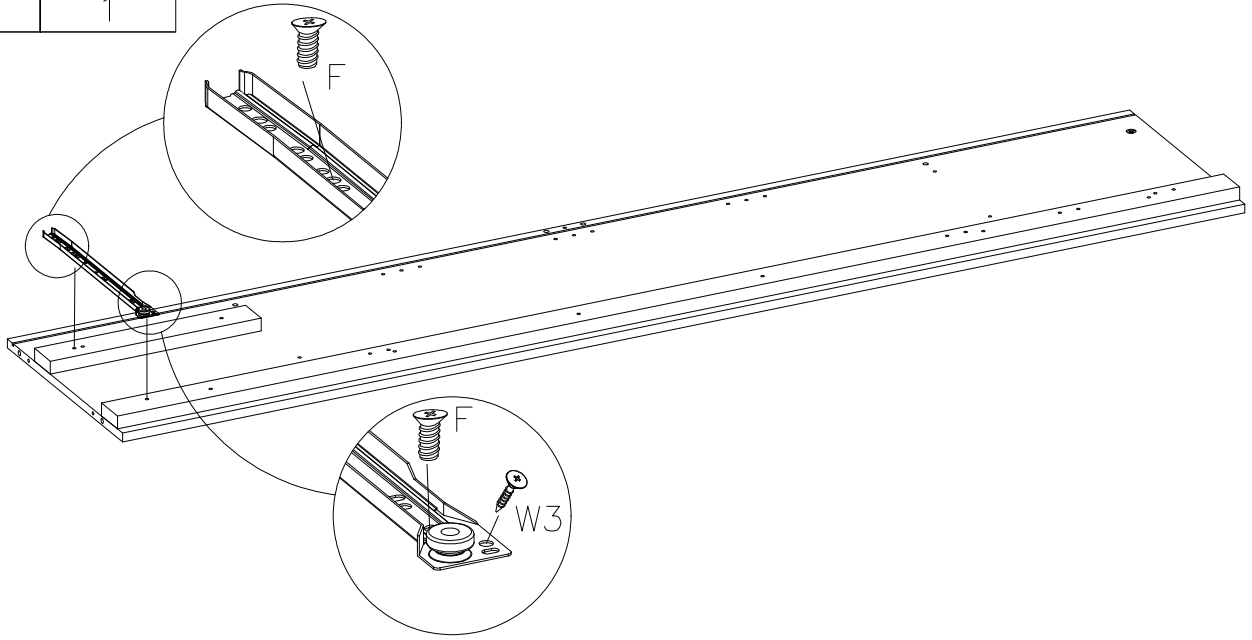
W2


6

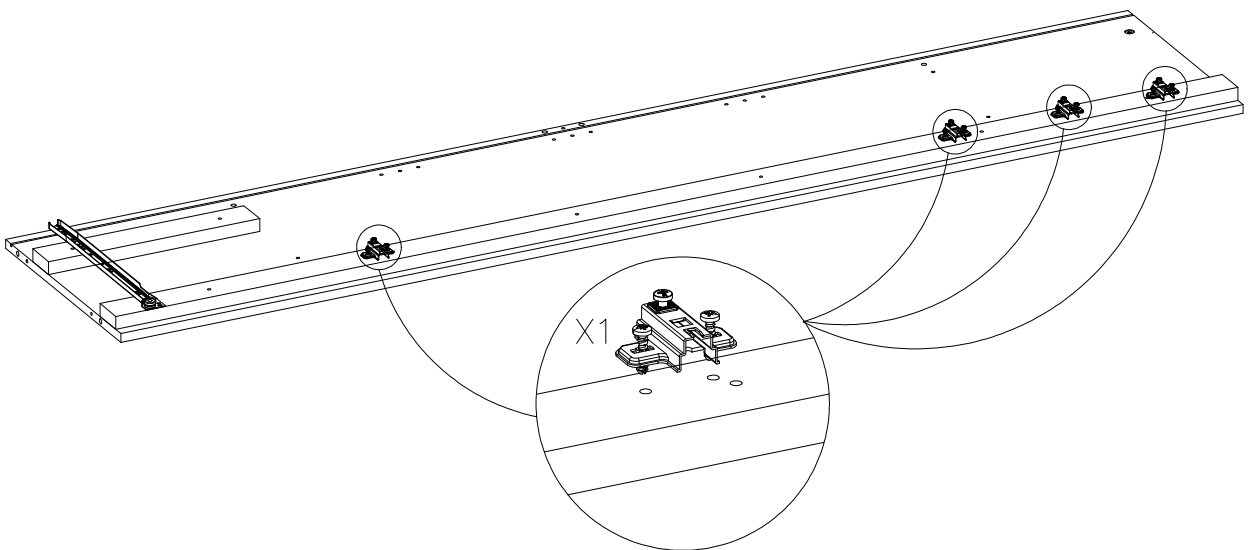
17

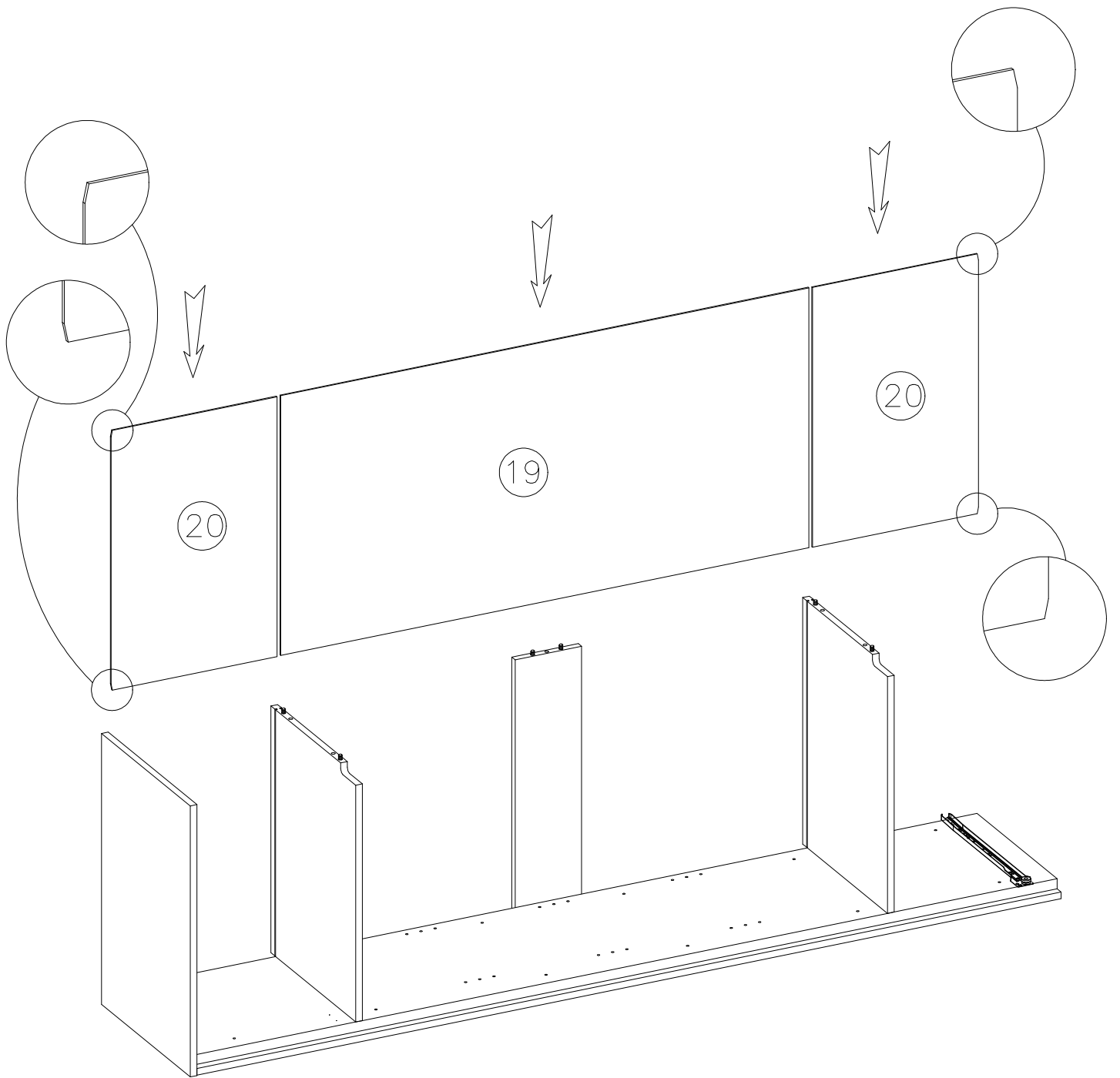


6.3x13  F 2	3.0x13  W3 1	 R Q5 1 KPL
---	--	---

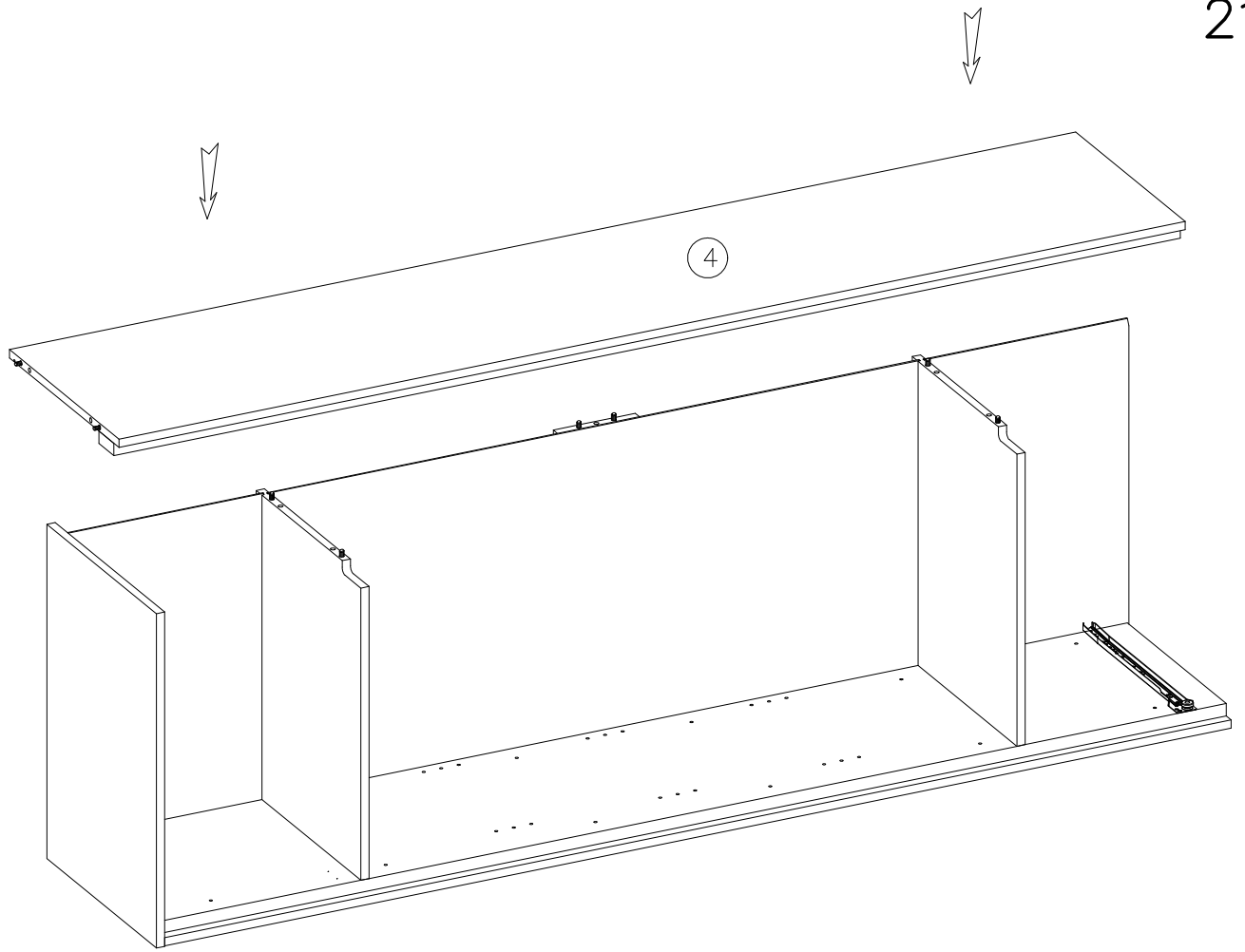


 X1 4
---




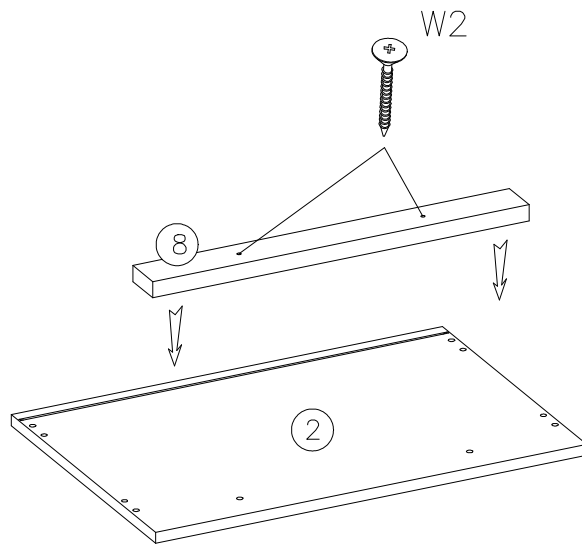


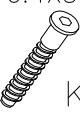

21

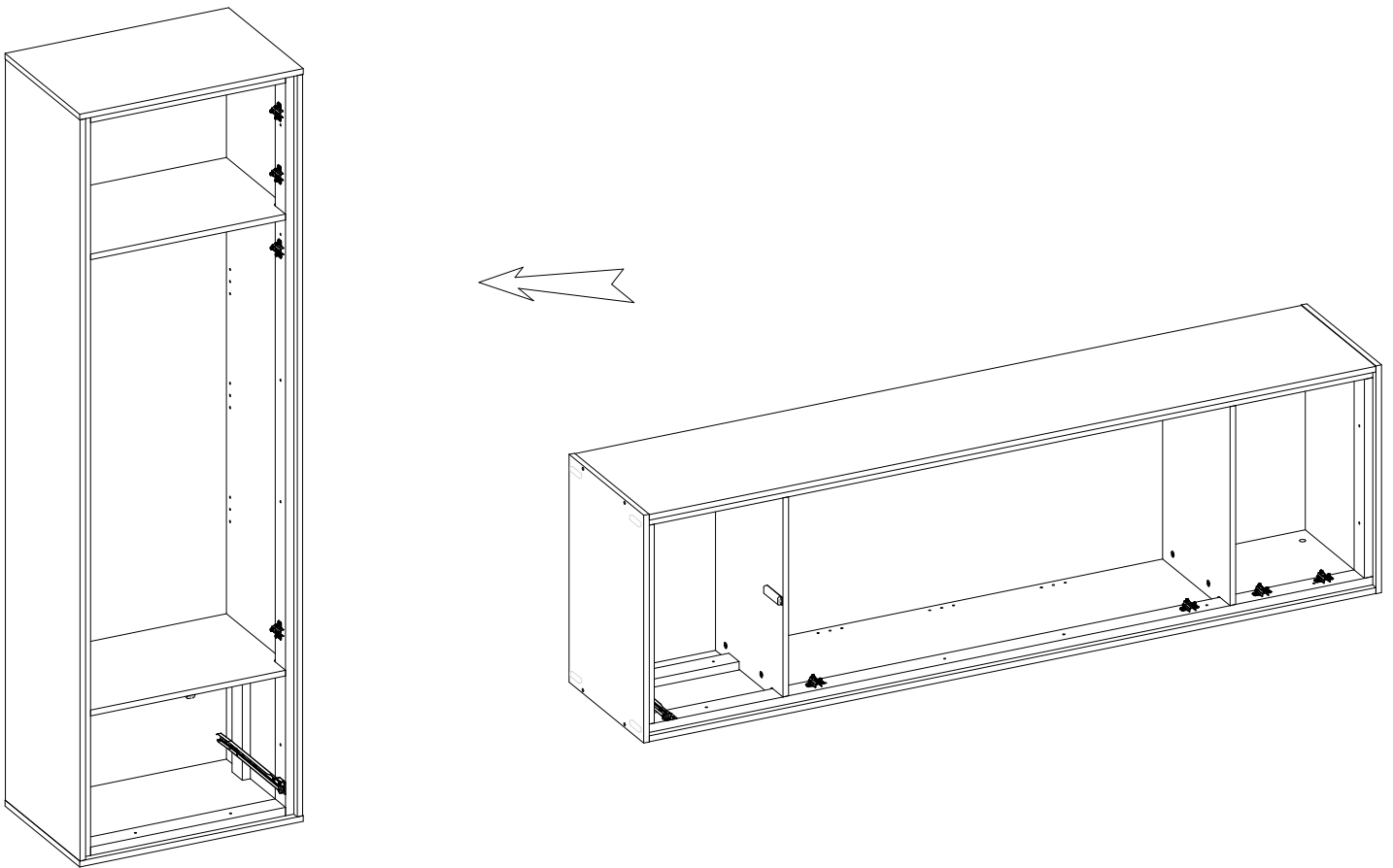
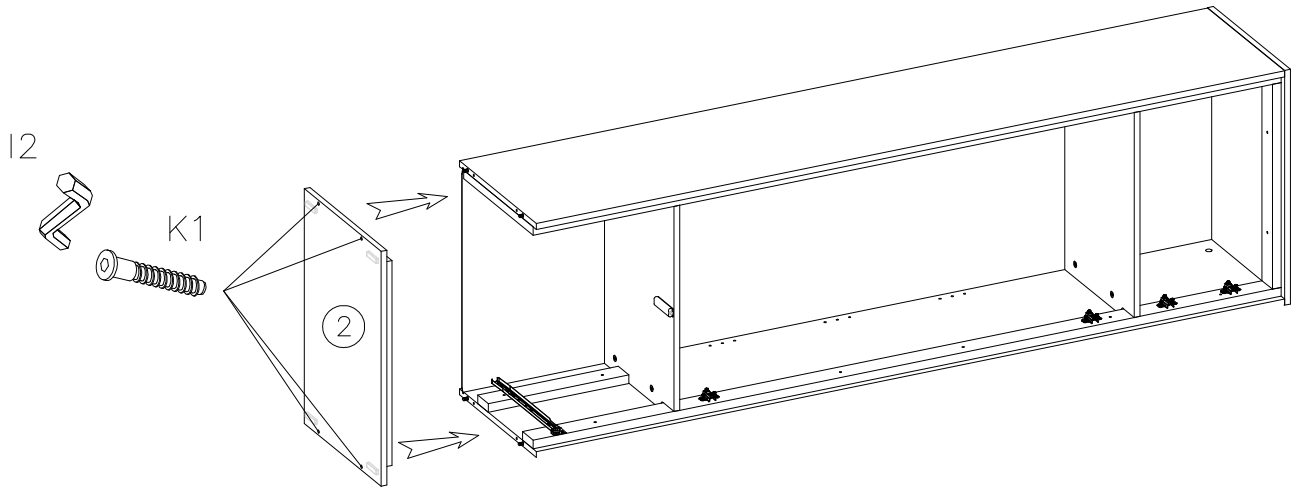


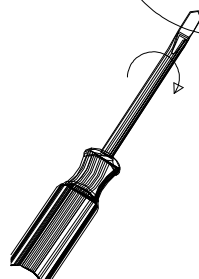
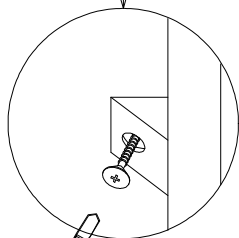
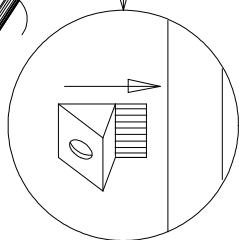
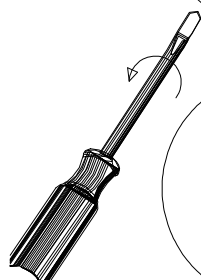
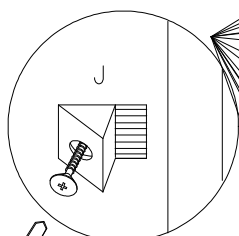
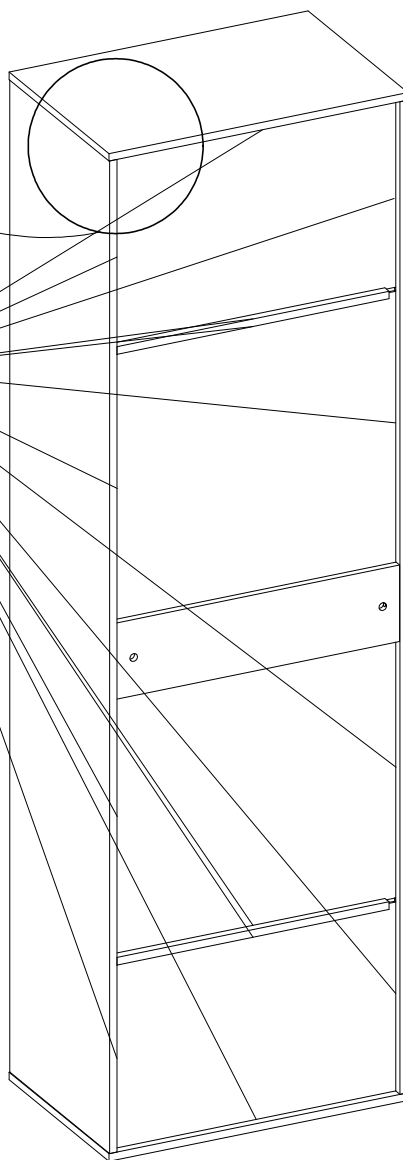
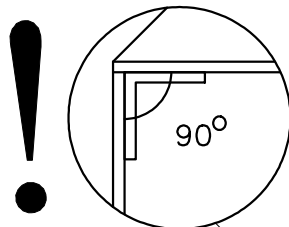
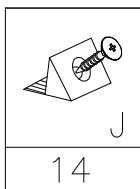
22



3.5x30
 W2
2

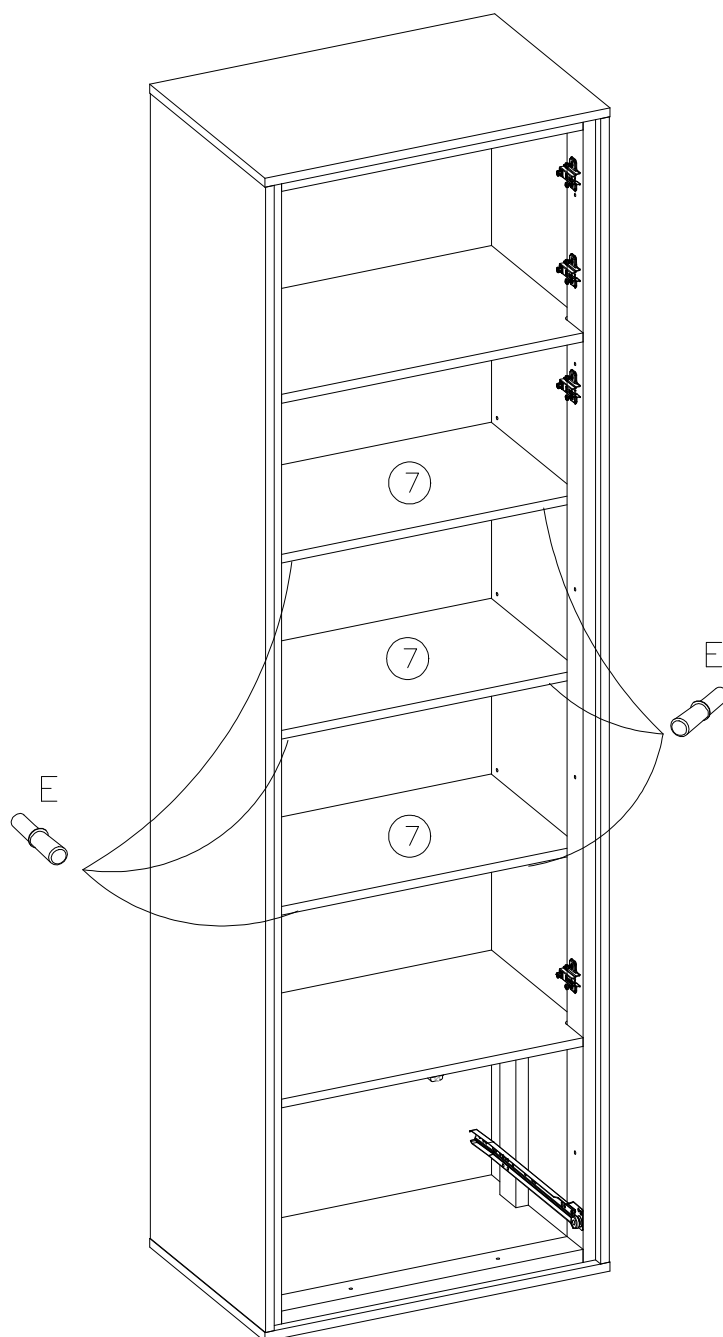
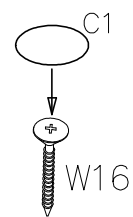
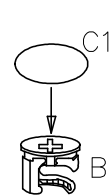


6.4X50  K1 4	4mm  I2 1
---	--

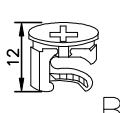
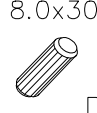

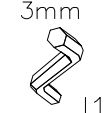


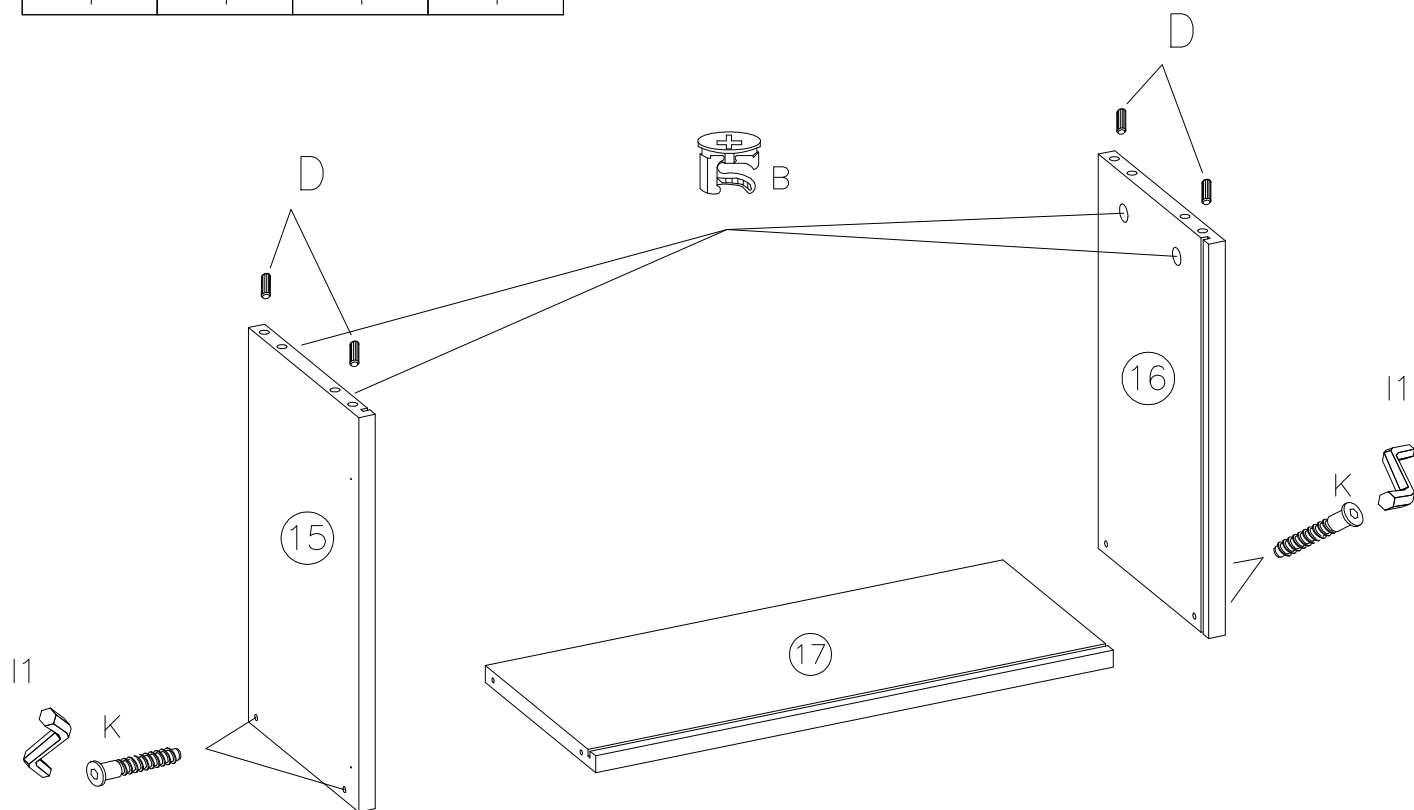



 E	 C1
12	22

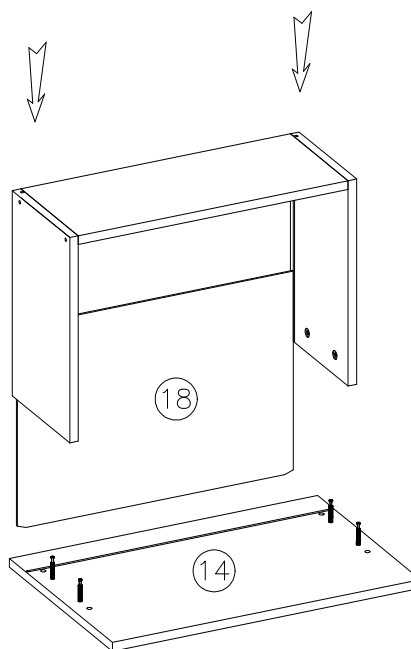
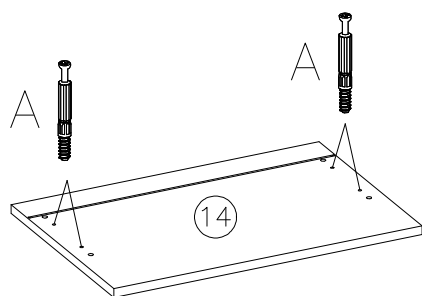







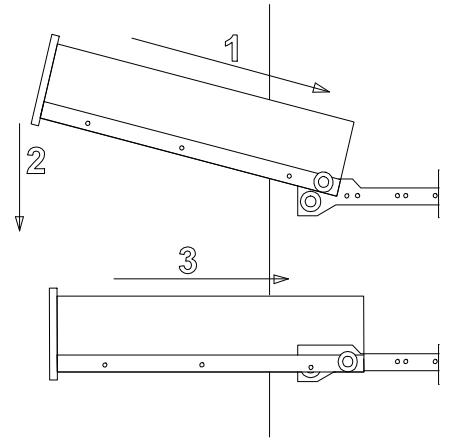
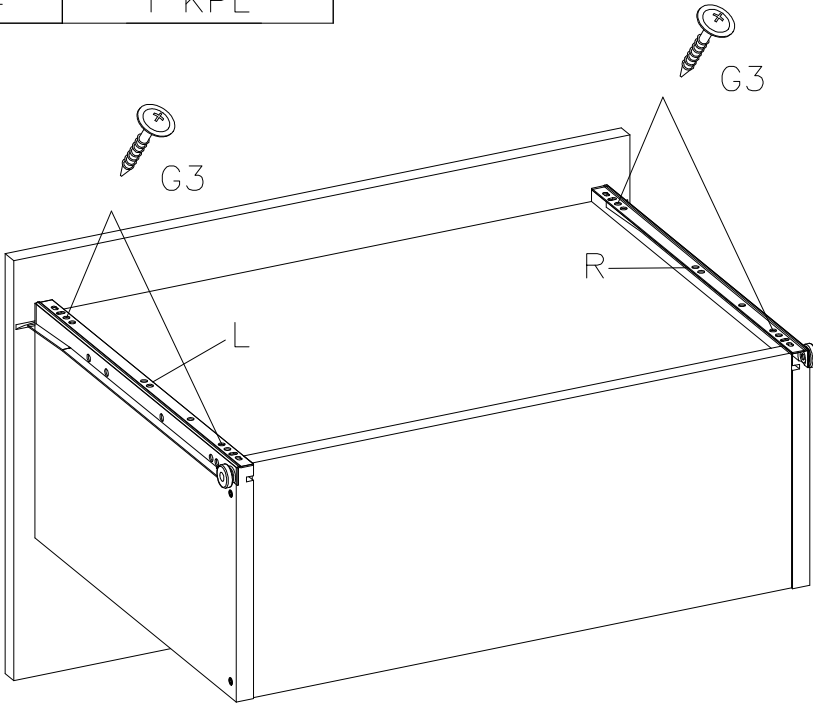
 B	 8.0x30	 5.0x50	 3mm
4	4	4	1

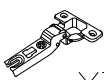



 A
4



3.0x20  G3 4	 R  L Q5 1 KPL
---	---



KR-8  Y7 4	4.0x13  W9 8
--	--

