

I10



x14

B3



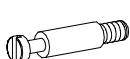
8 x 60 x8

B7



8 x 30 x12

K5



x6

K6



x4

K1



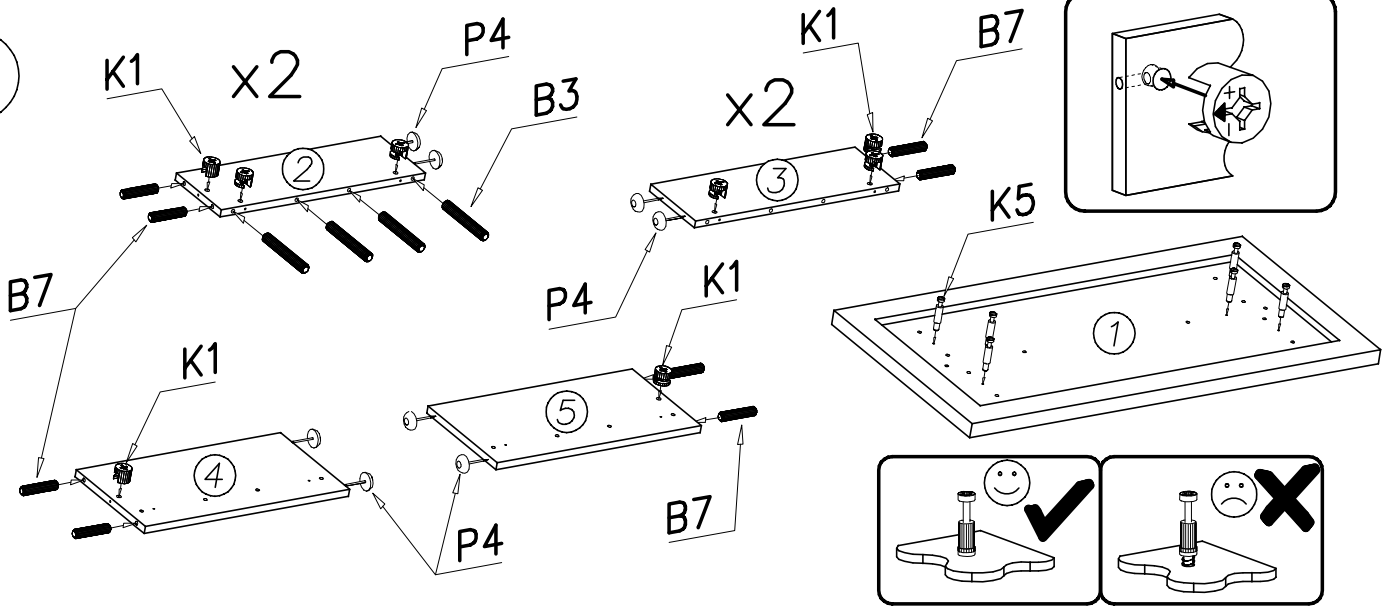
x14

P4

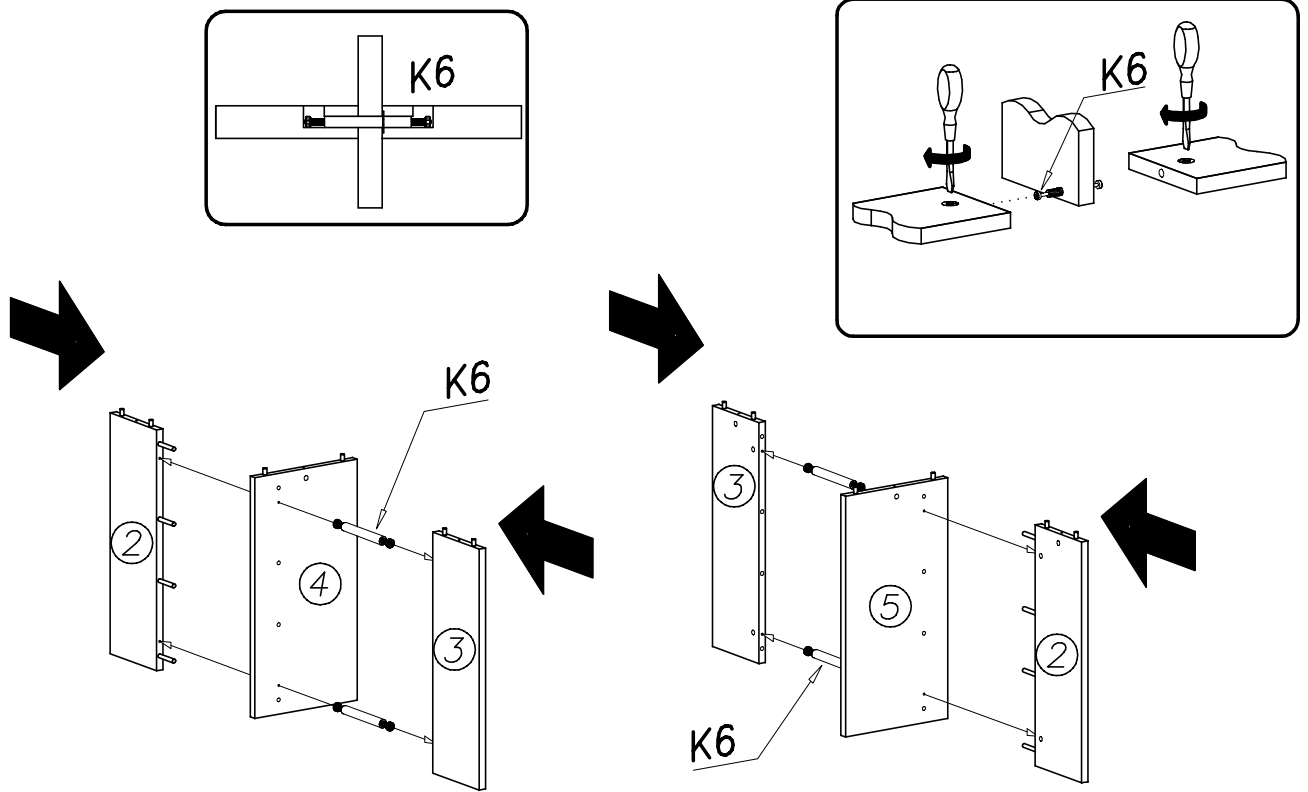


x12

I



II



III

