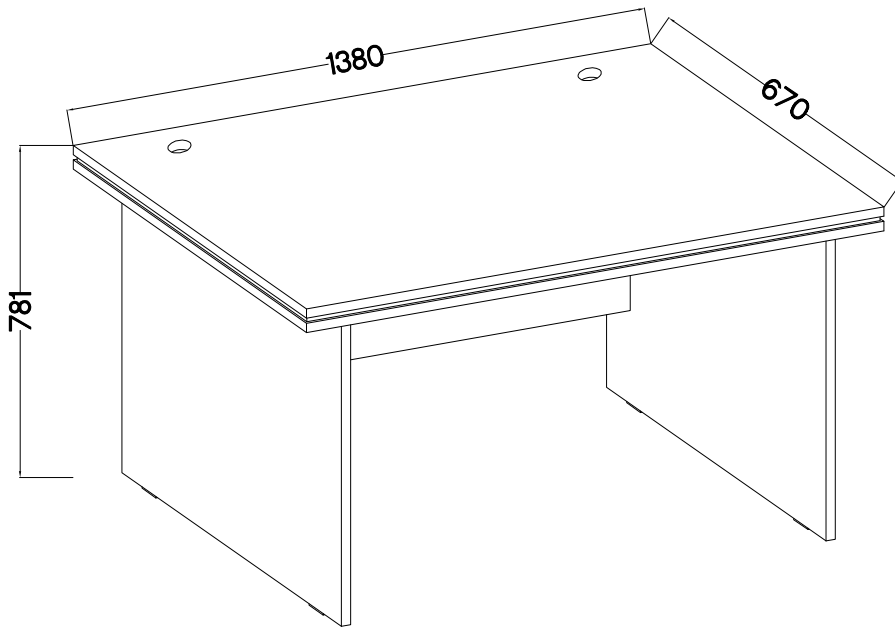
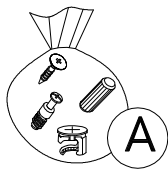
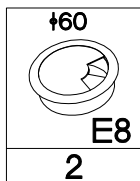
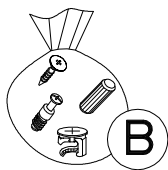
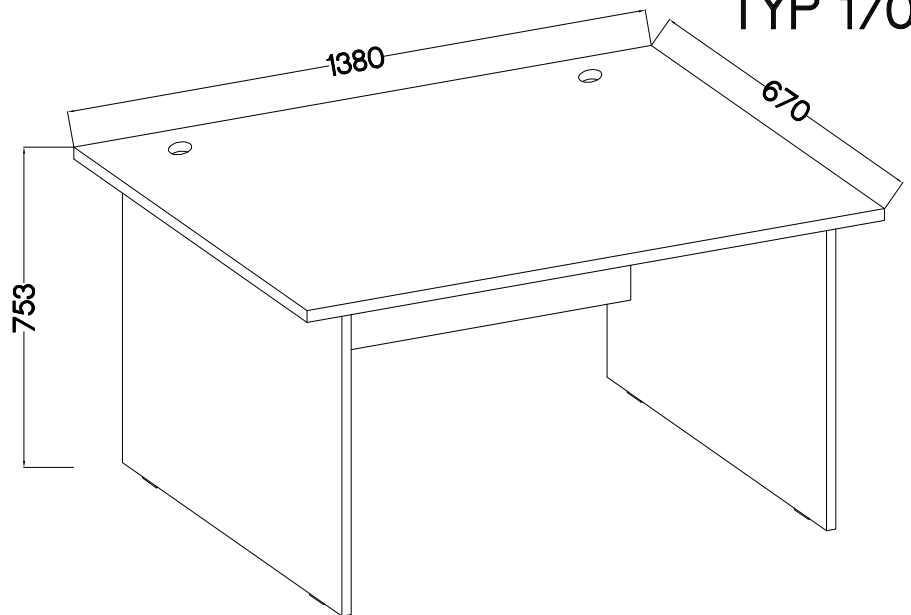


TYP 180

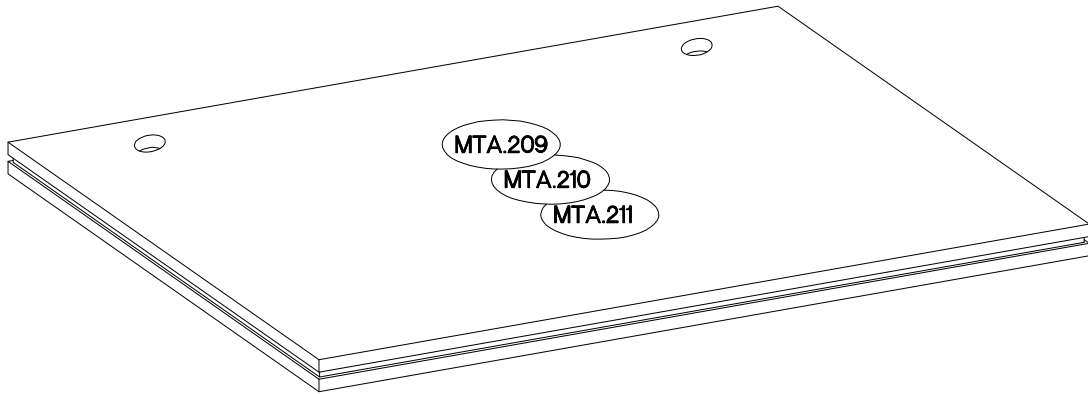


TYP 170

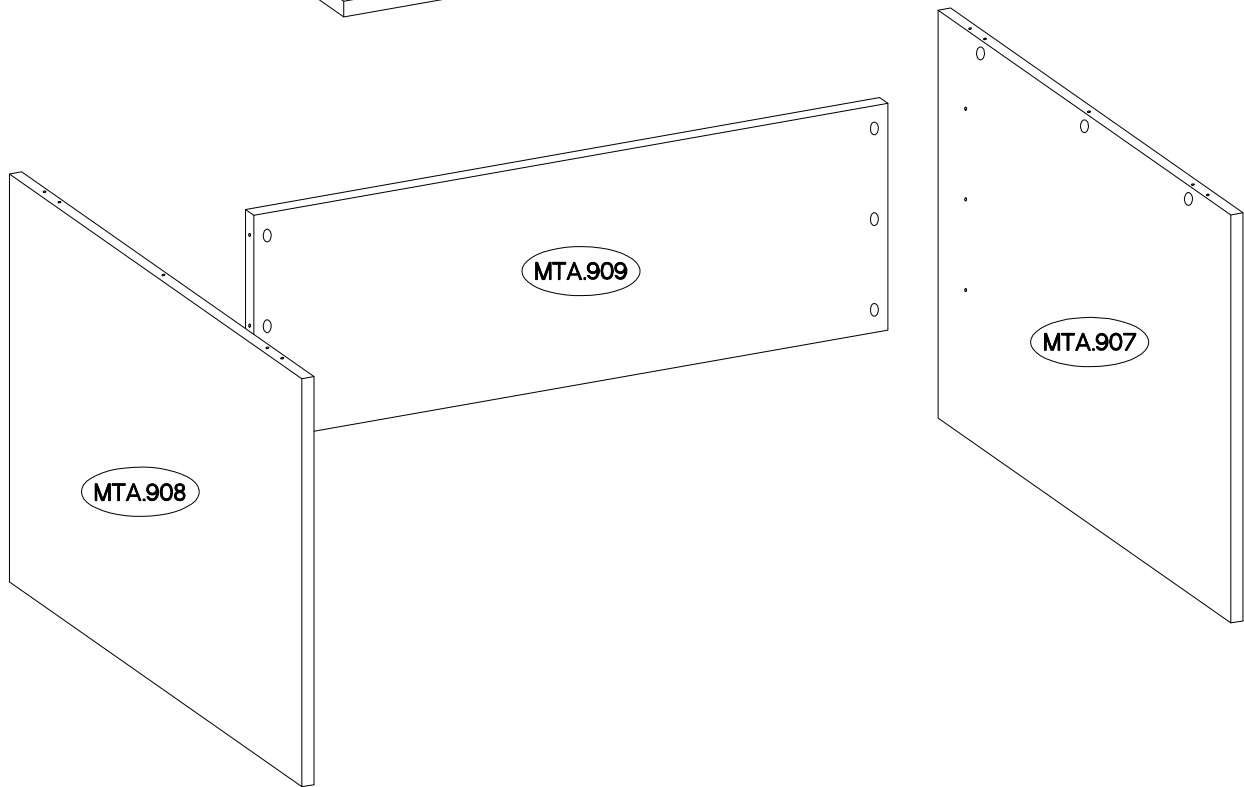
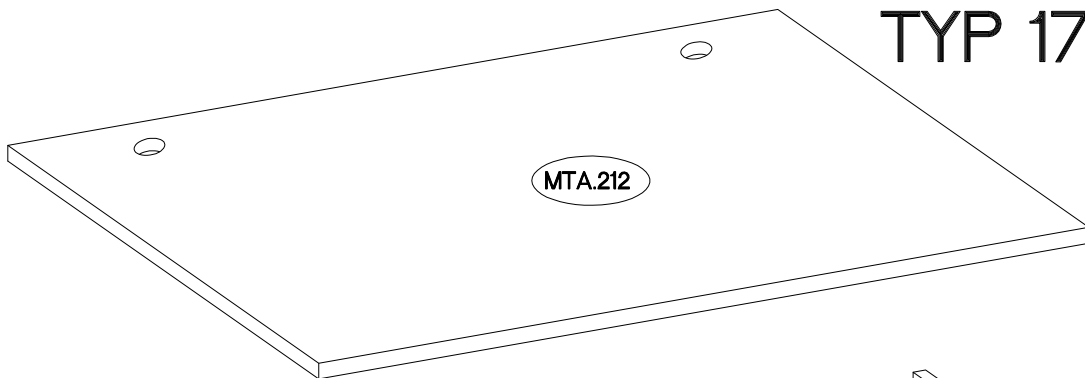


+8x30mm  A 4	+15/12mm  C 12	L=20mm  D2 12	6.5x48x16  F2 4	+20  E11 12
-----------------------	-------------------------	------------------------	--------------------------	----------------------

# TYP 180



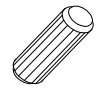
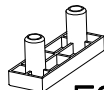


# TYP 170

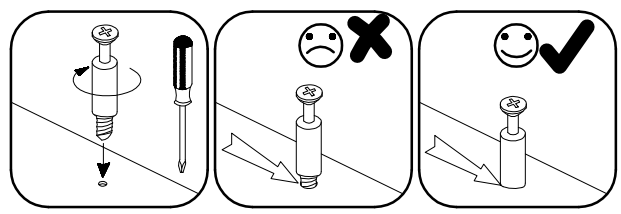
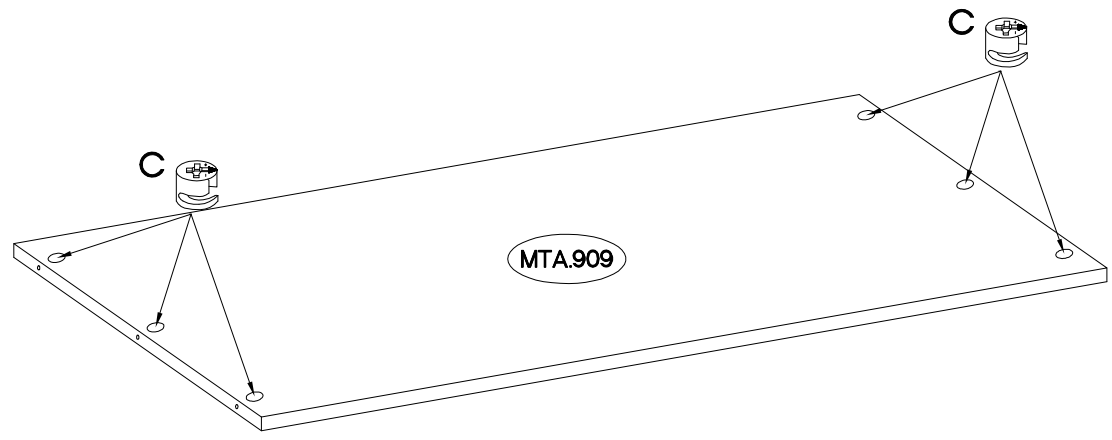
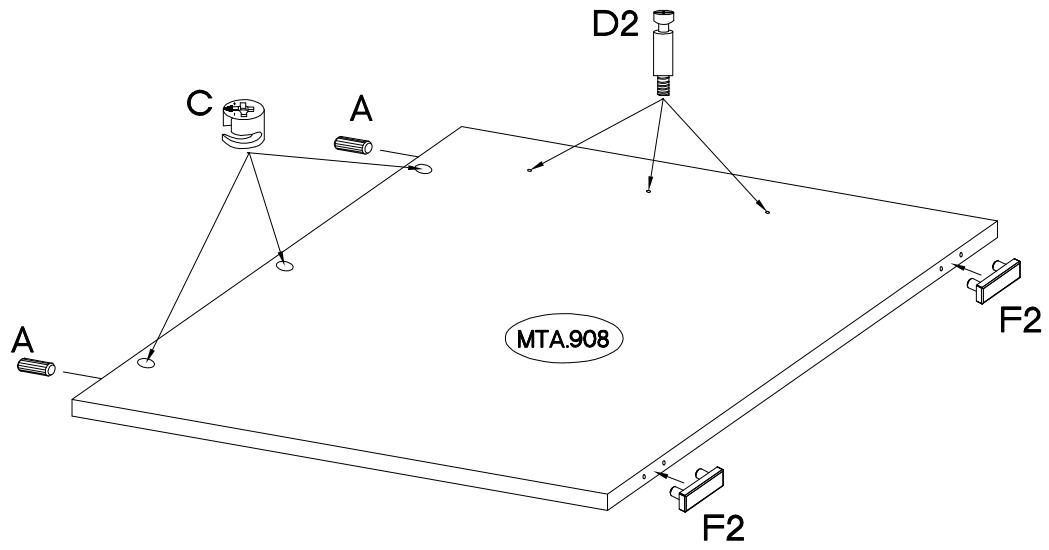
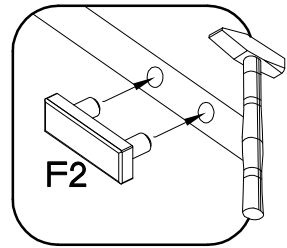
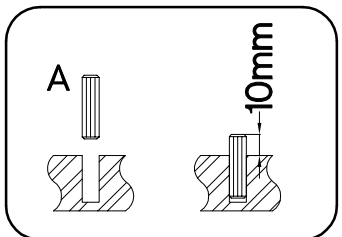
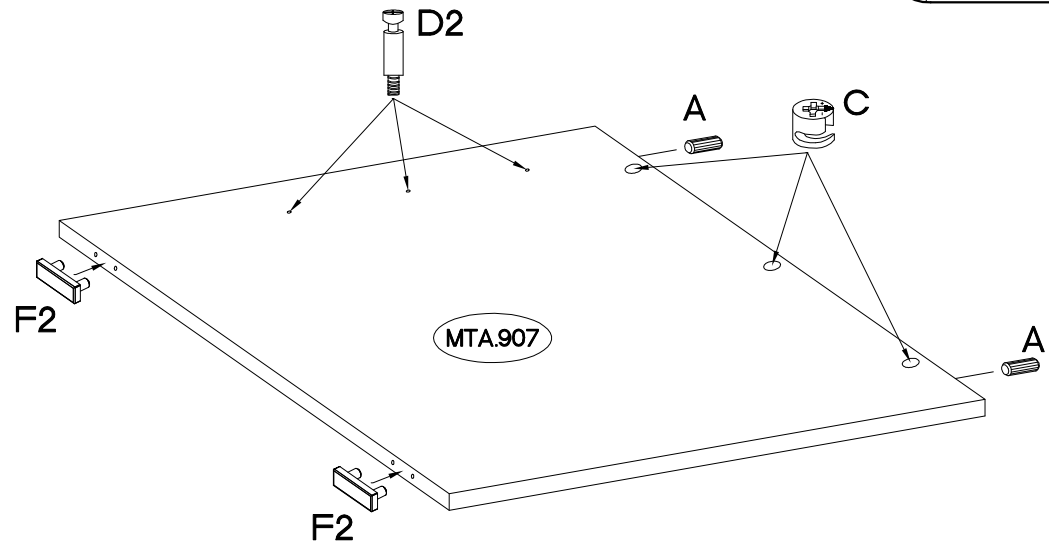
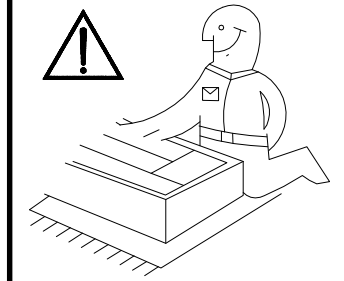
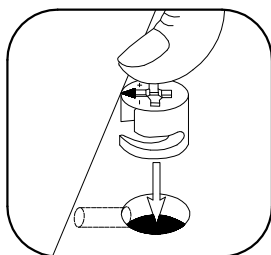


MTA.907	720x630x22
MTA.908	720x630x22
MTA.909	1136x400x18

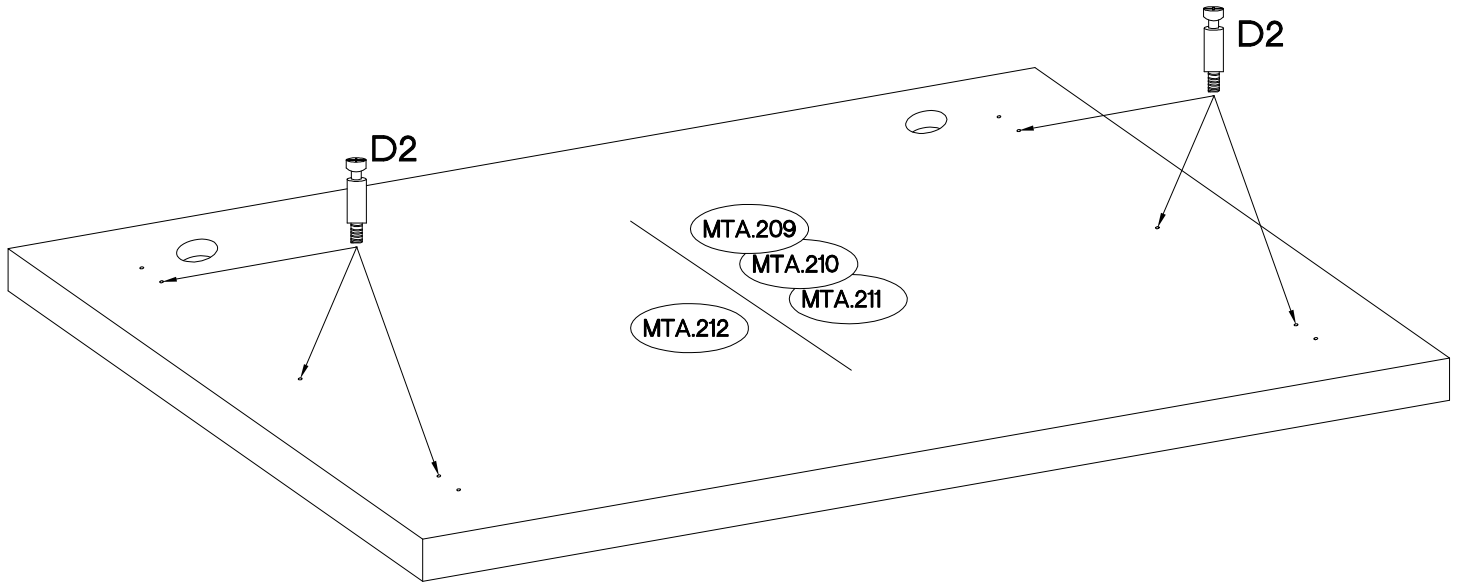
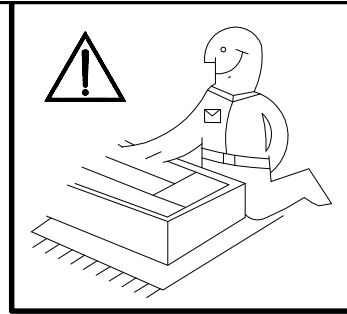
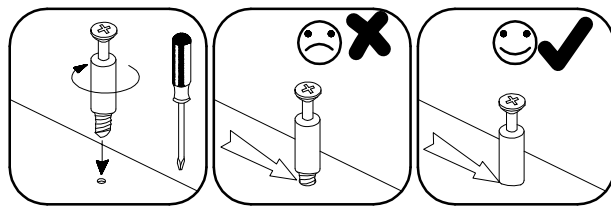
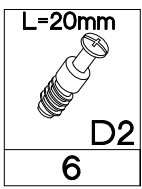
MTA.209	1380x670x22
MTA.210	1370x660x12
MTA.211	1380x670x22

MTA.212	1380x670x28
---------	-------------

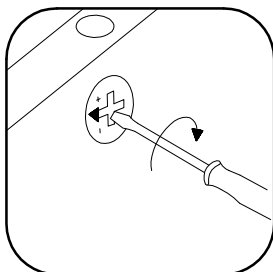
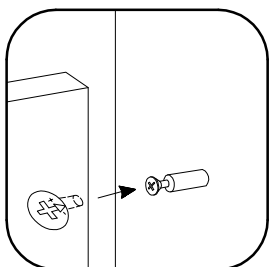
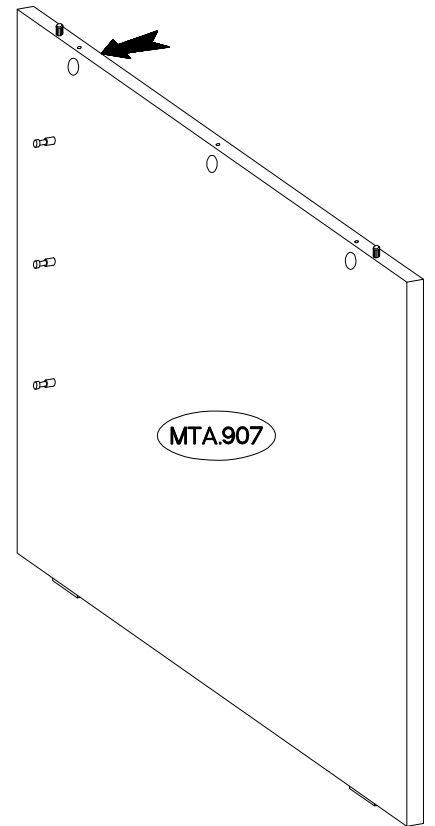
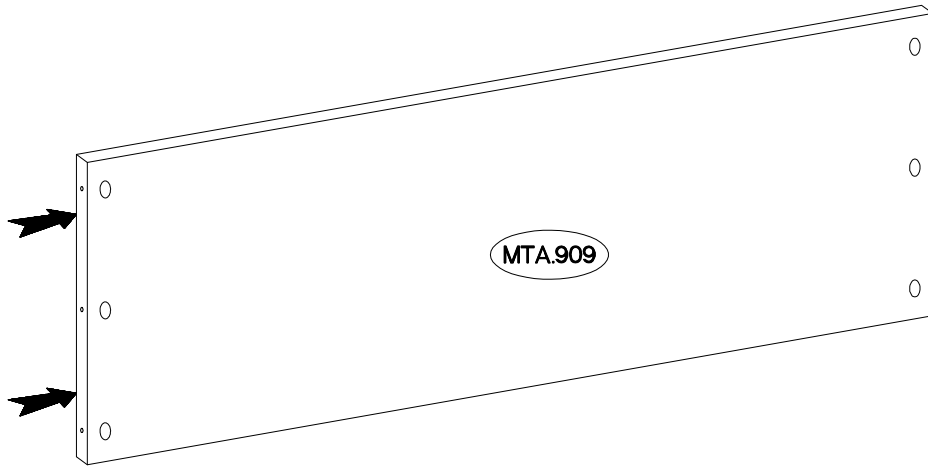
 #8x30mm A	 6.5x48x16 F2	 L=20mm D2	 #15/12mm C
4	4	6	12



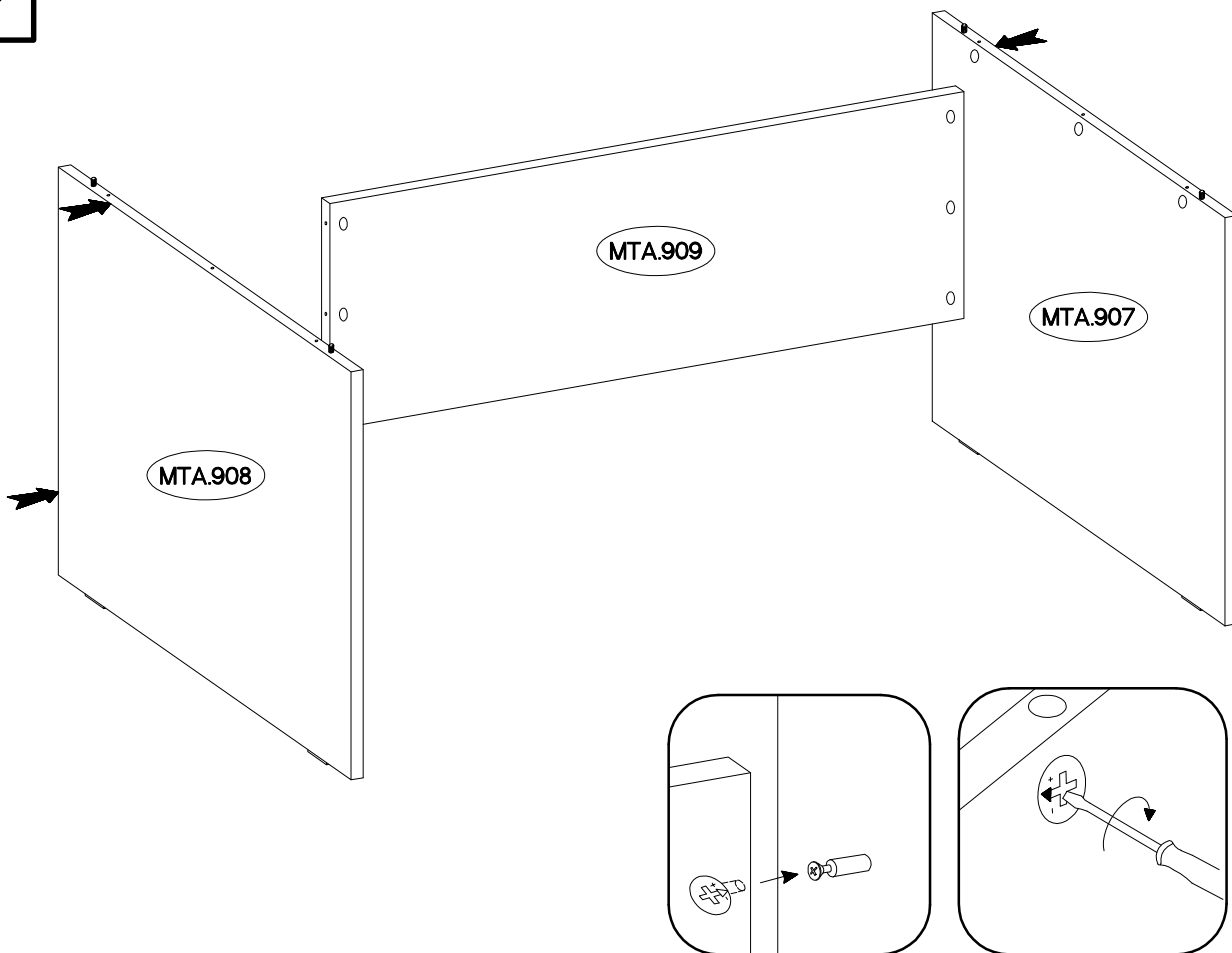
2



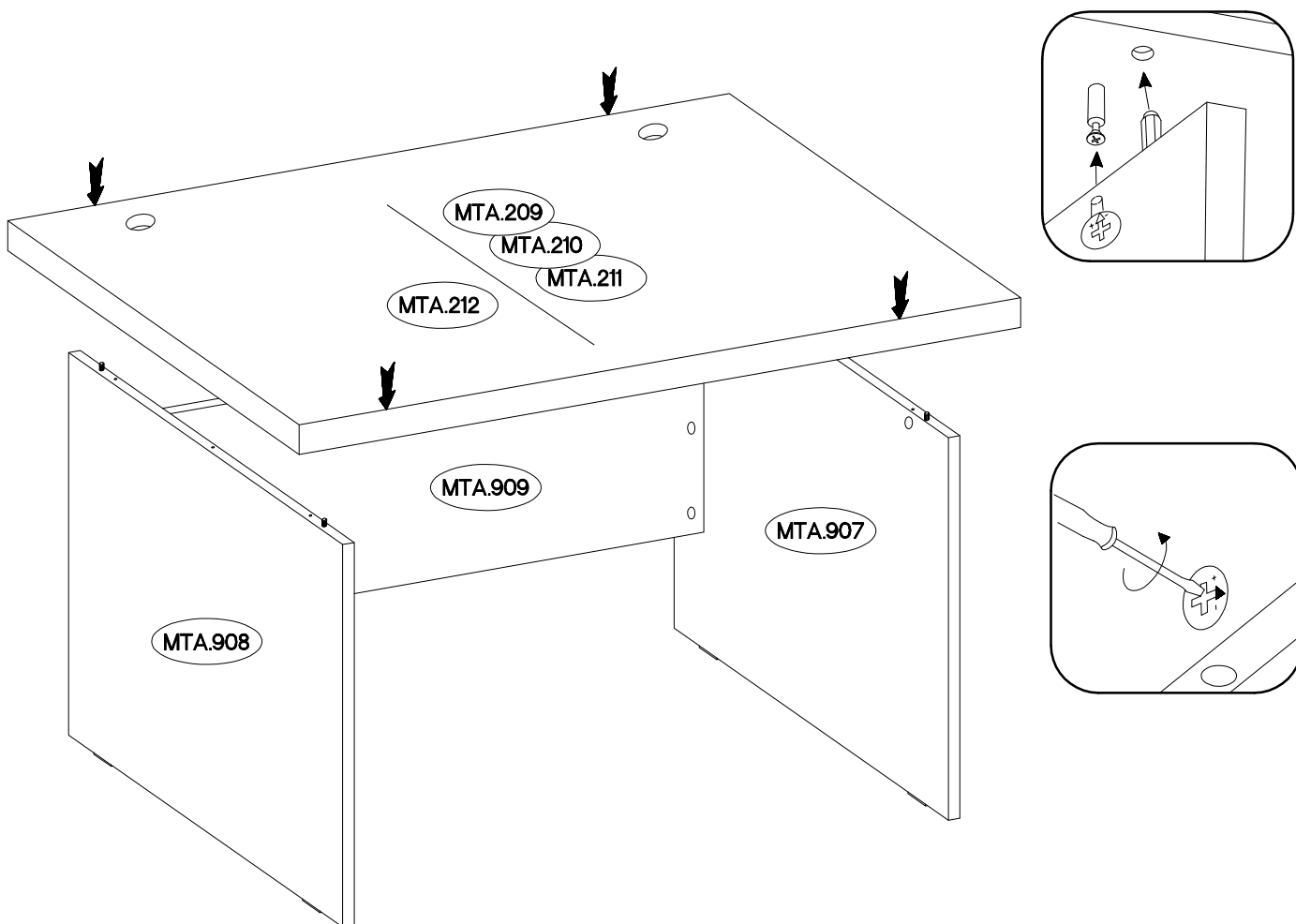
3





4



5



↑60  E8 2	↑20  E11 12
--	--

