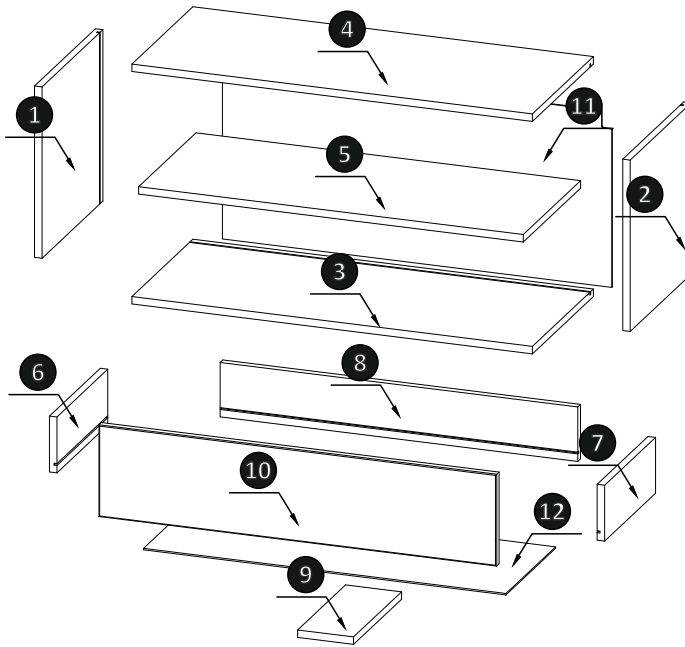
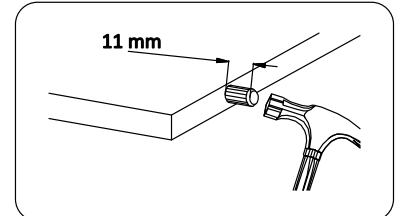
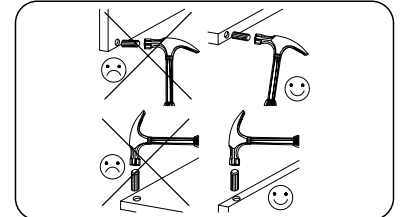
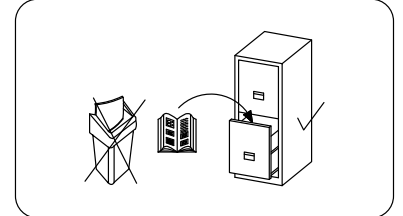
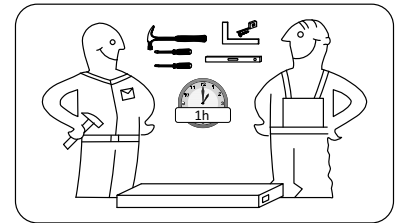


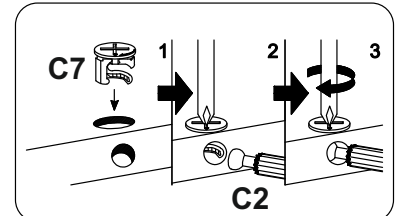
E8



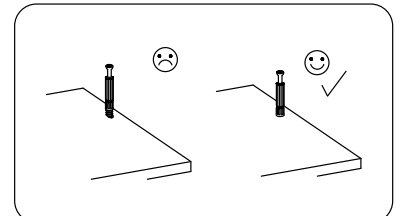
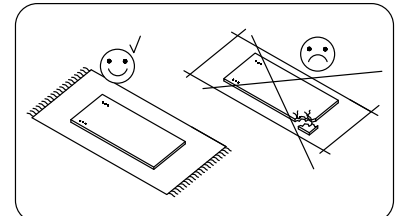
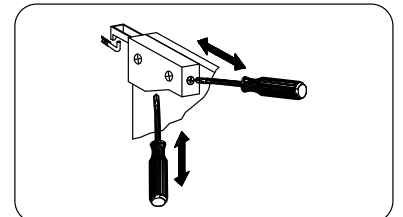
| | | | | | | | | | |
|---|---|-----|-----|----|----|---|-----|-----|----|
| | | | | | 8 | 1 | 768 | 117 | 16 |
| 1 | 1 | 386 | 359 | 16 | 9 | 1 | 283 | 120 | 16 |
| 2 | 1 | 368 | 359 | 16 | 10 | 1 | 854 | 197 | 16 |
| 3 | 1 | 860 | 360 | 16 | 11 | 1 | 836 | 377 | 3 |
| 4 | 1 | 860 | 360 | 16 | 12 | 1 | 778 | 293 | 3 |
| 5 | 1 | 826 | 338 | 16 | | | | | |
| 6 | 1 | 300 | 120 | 16 | | | | | |
| 7 | 1 | 300 | 120 | 16 | | | | | |

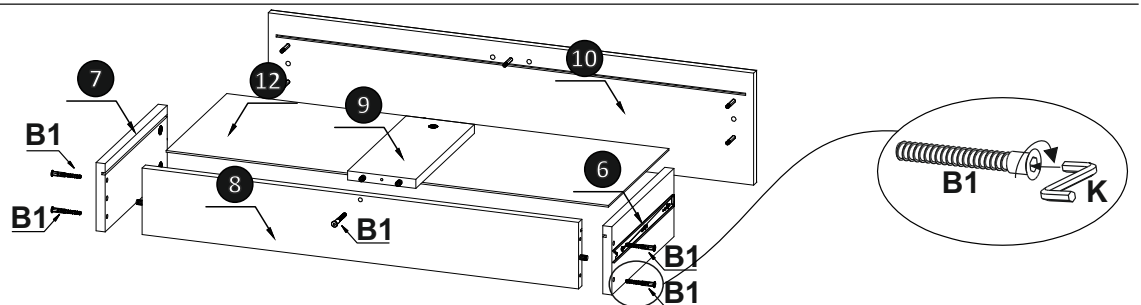
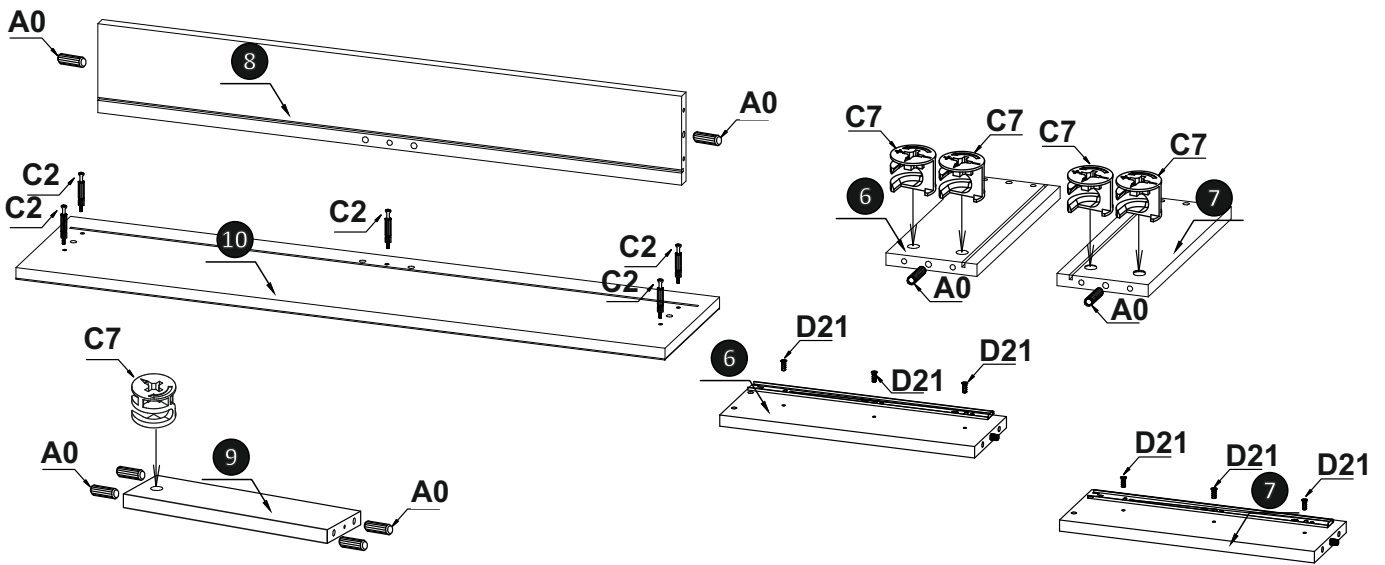
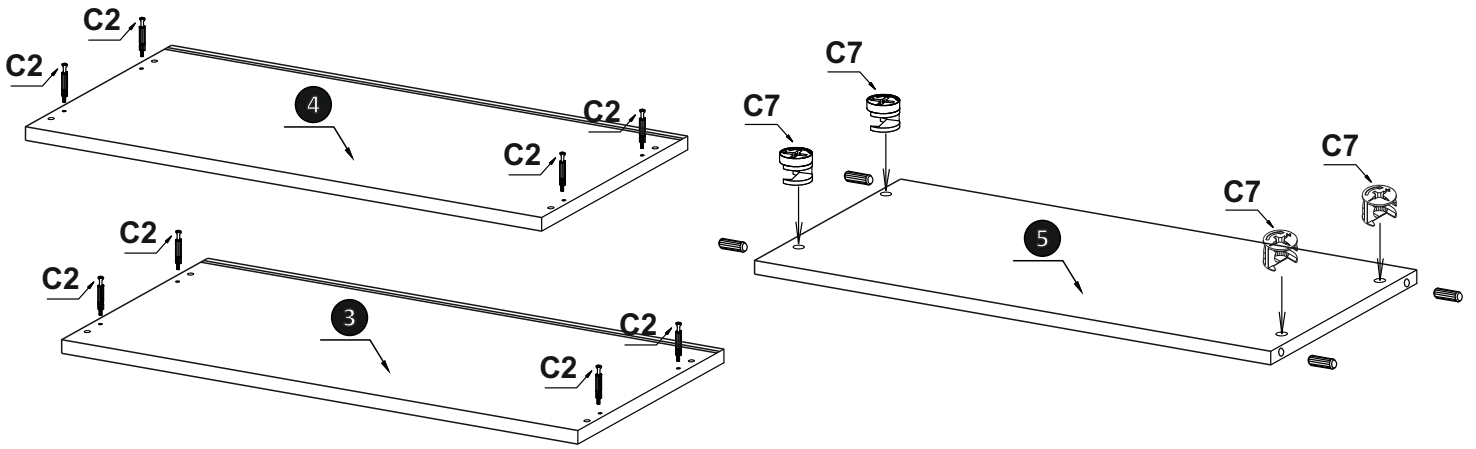
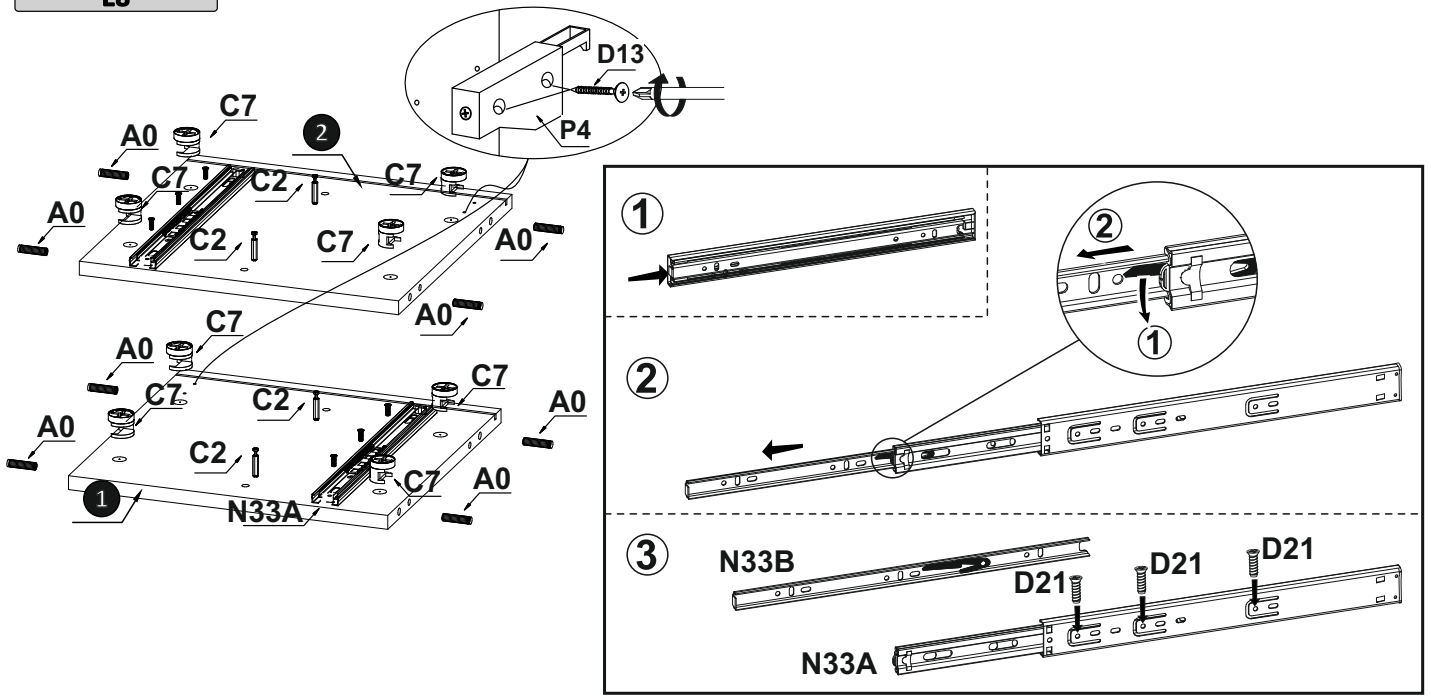


| | | | | | | | | |
|------------------------------------|-----------------------------------|----------------------------|----------------------------|----------------------------|------------------------------------|-------------------------------------|------------------------------------|-------------------------------------|
| A0 8x30 20 | B1 7x50 5 | C0 17 | C2 17 | C7 17 | D0 3x15 16 | D5 3,5x16 4 | D13 4x30 4 | D21 5x13 12 |
|------------------------------------|-----------------------------------|----------------------------|----------------------------|----------------------------|------------------------------------|-------------------------------------|------------------------------------|-------------------------------------|



| | | | |
|---------------------------------|----------------------------|-------------------------------------|---------------------------|
| K 4mm 1 | M1 16 | N33 L-300 1 | P4 2 |
|---------------------------------|----------------------------|-------------------------------------|---------------------------|





E9

