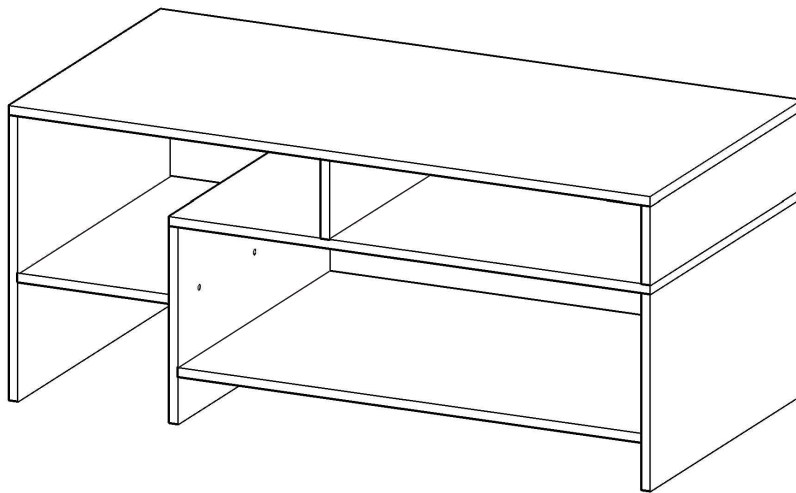
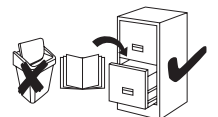
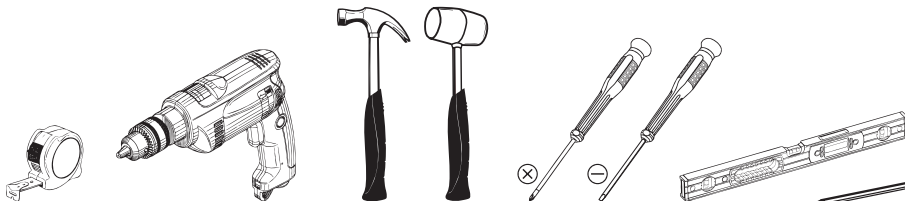




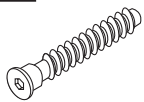
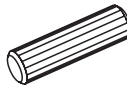
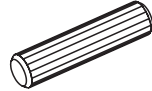
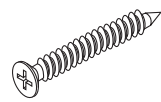
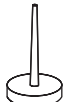
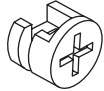
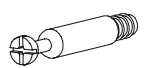
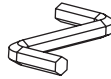



E - 1200 mm / 600 mm / 528 mm

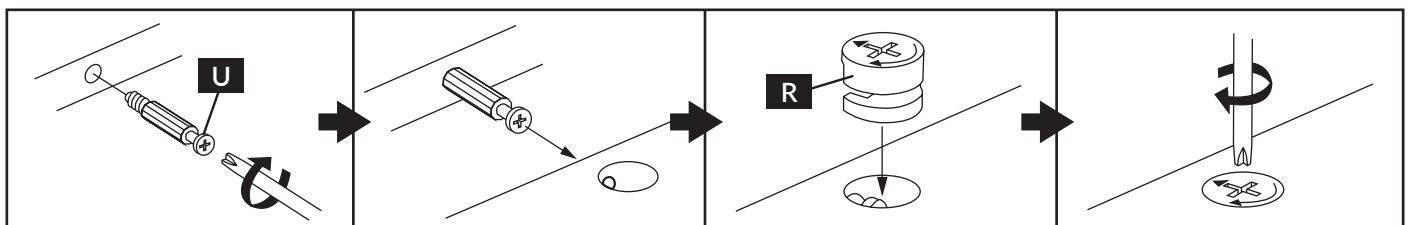
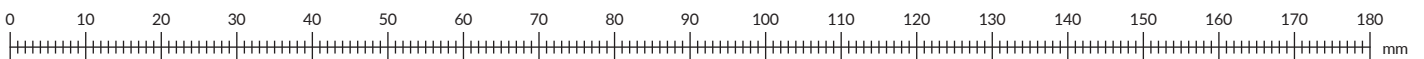
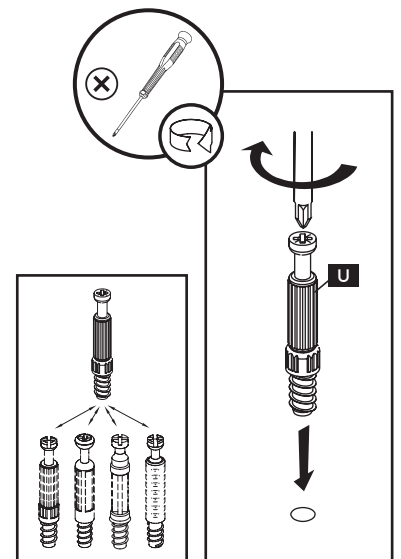


 120 min.



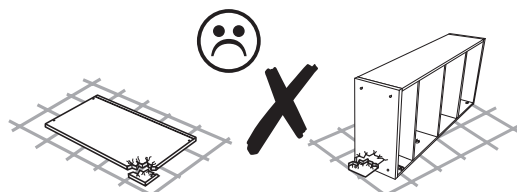
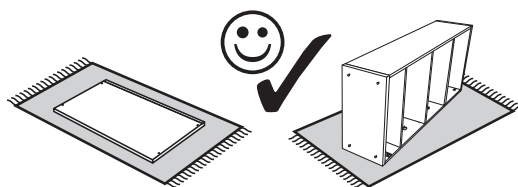
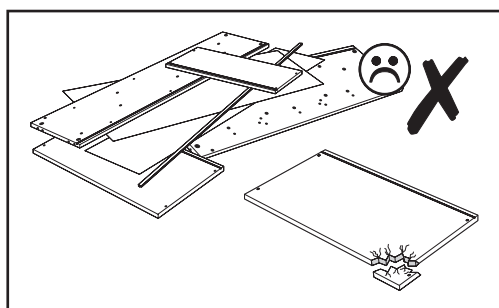
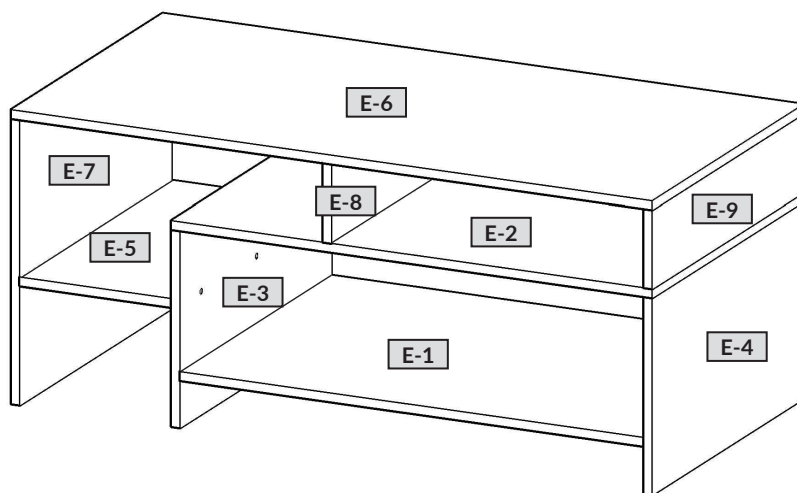
E:

A  7 x 50 mm x 6	B  8 x 32 mm x 21	B3  8 x 50 mm x 3	E2  3 x 20 mm x 4	G2  x 6	R  H=11 mm x 14
U  L=24,3 mm x 14	XA  x 1	XG  GLUE x 1	ZA  Ø 4 x 6	ZR  Ø 15 x 14	

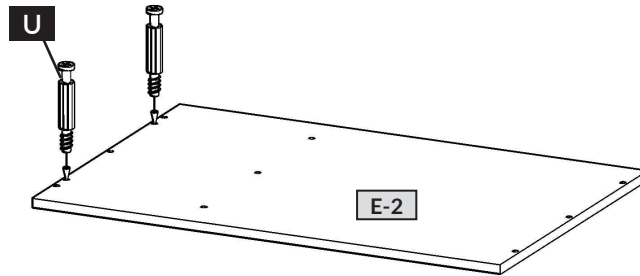
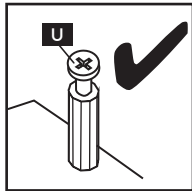
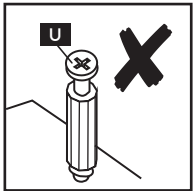
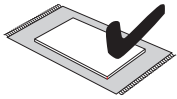
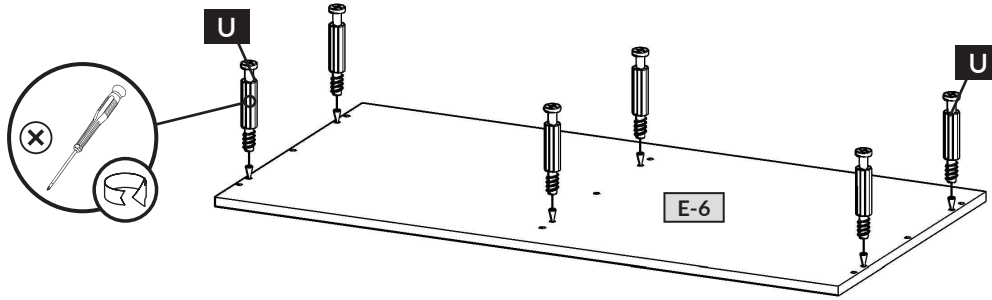


1	E-1	868 / 600 / 16 mm	x 1
2	E-2	900 / 600 / 16 mm	x 1
3	E-3	350 / 60 / 16 mm	x 1
4	E-4	350 / 60 / 16 mm	x 1
5	E-5	284 / 600 / 16 mm	x 1

6	E-6	1200 / 600 / 16 mm	x 1
7	E-7	506 / 600 / 16 mm	x 1
8	E-8	140 / 600 / 16 mm	x 1
9	E-9	140 / 600 / 16 mm	x 1

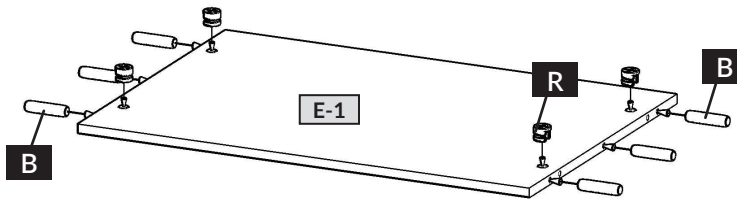
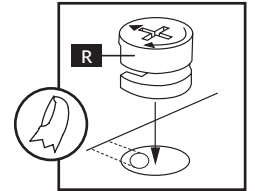
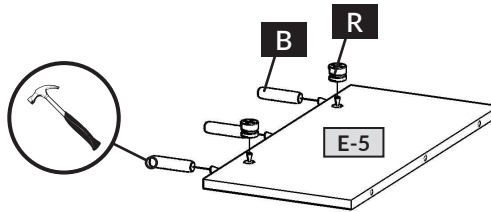


E / 1

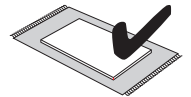


U	x 8
---	-----

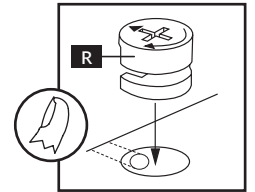
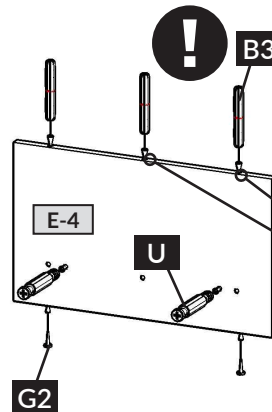
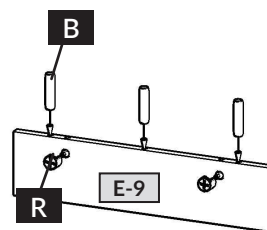
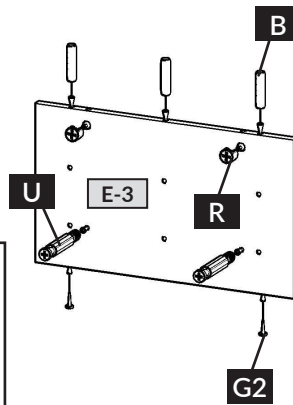
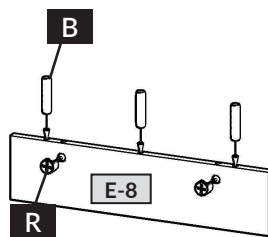
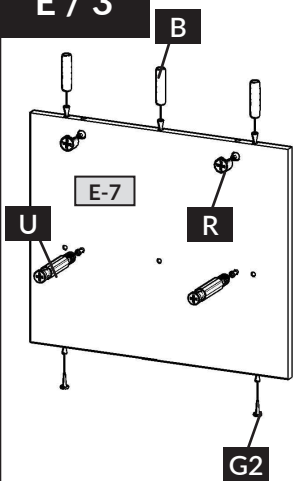
E / 2



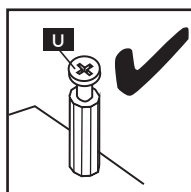
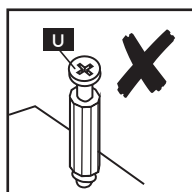
B	x 9
R	x 6



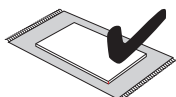
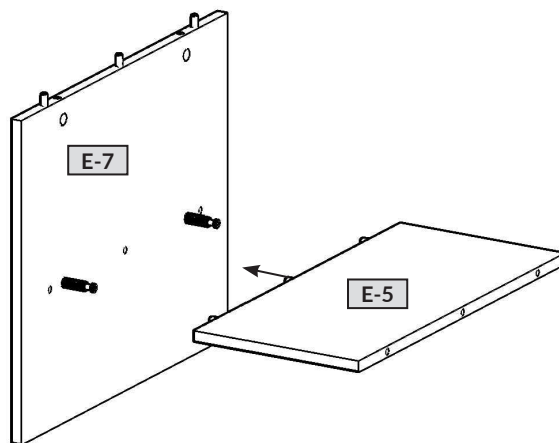
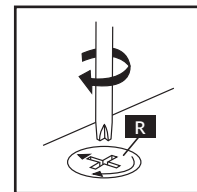
E / 3



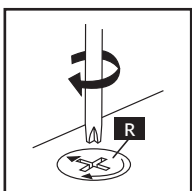
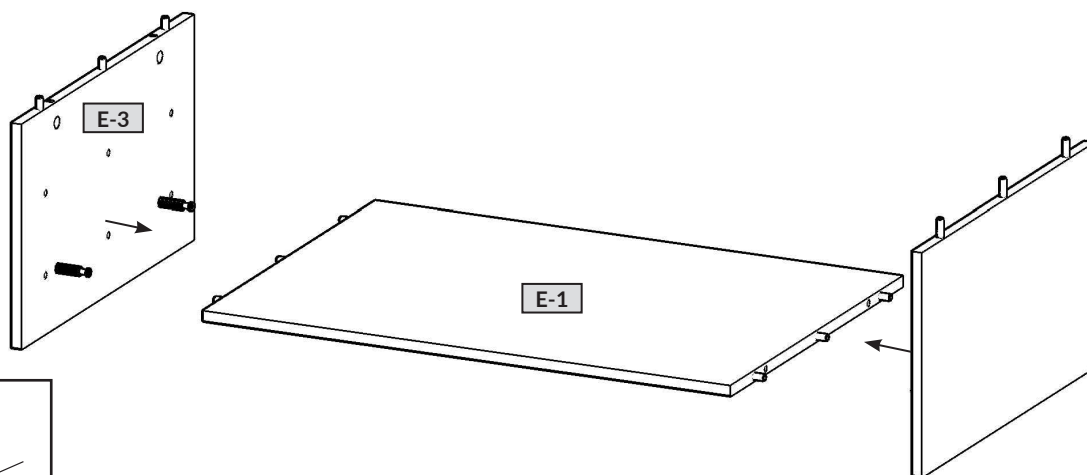
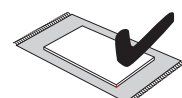
B	x 12
B3	x 3
G2	x 6
R	x 8
U	x 6
XG	x 1



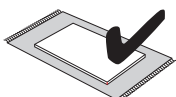
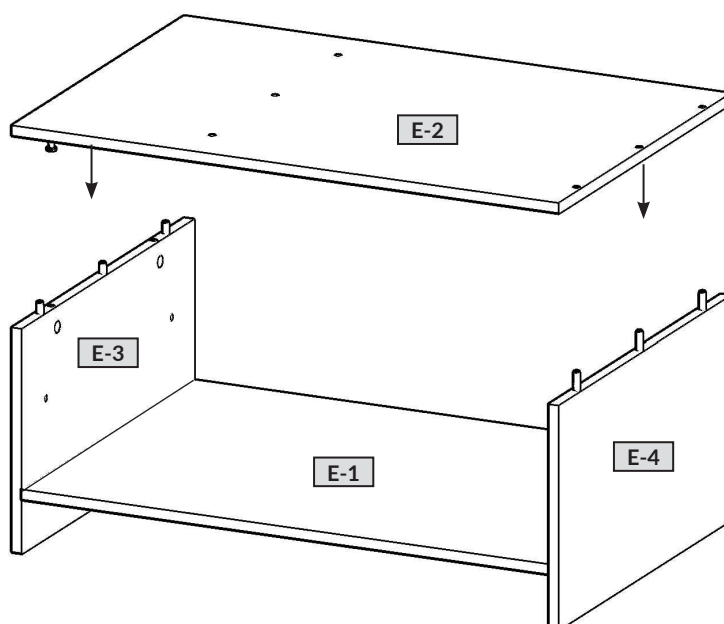
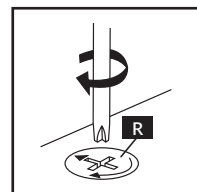
E / 4



E / 5

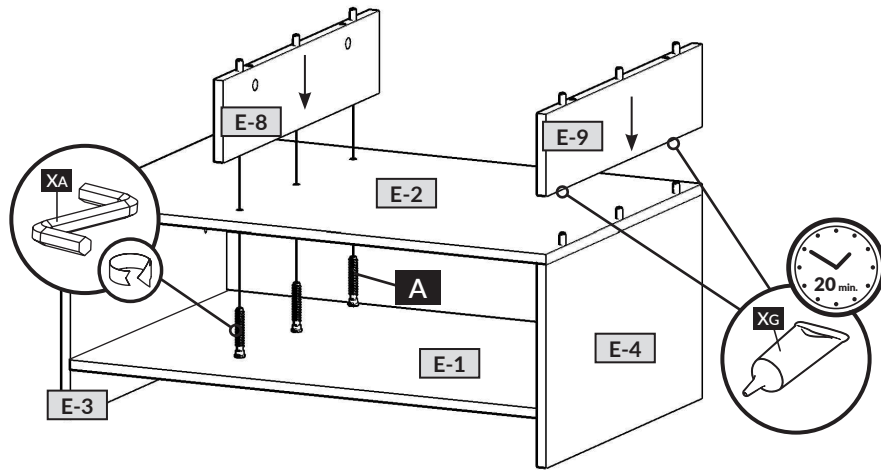


E / 6



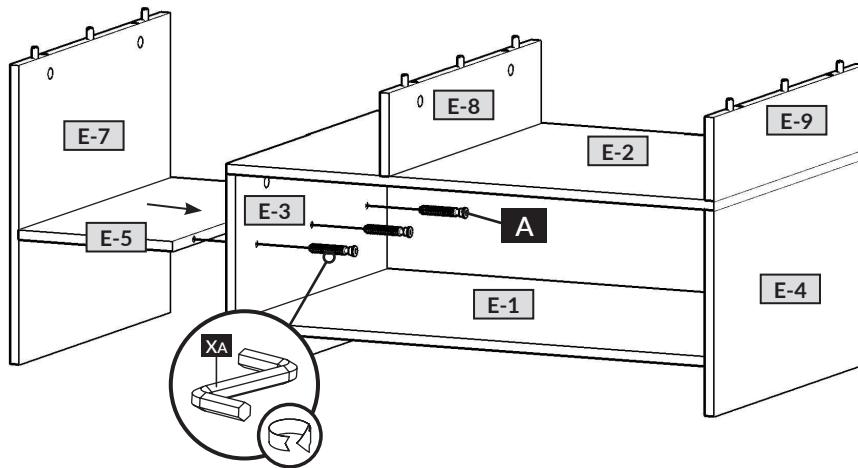
E / 7

A	x 3
XA	x 1
XG	x 1



E / 8

A	x 3
XA	x 1



E / 9

ZA	x 6
ZR	x 14

