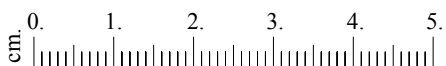
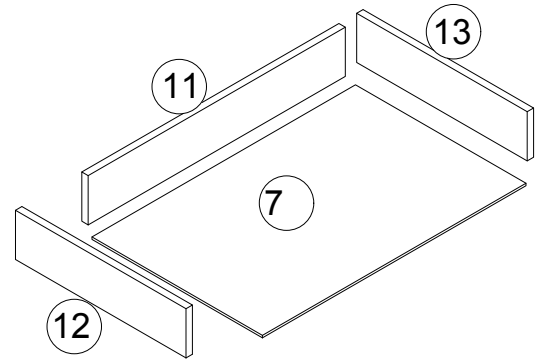
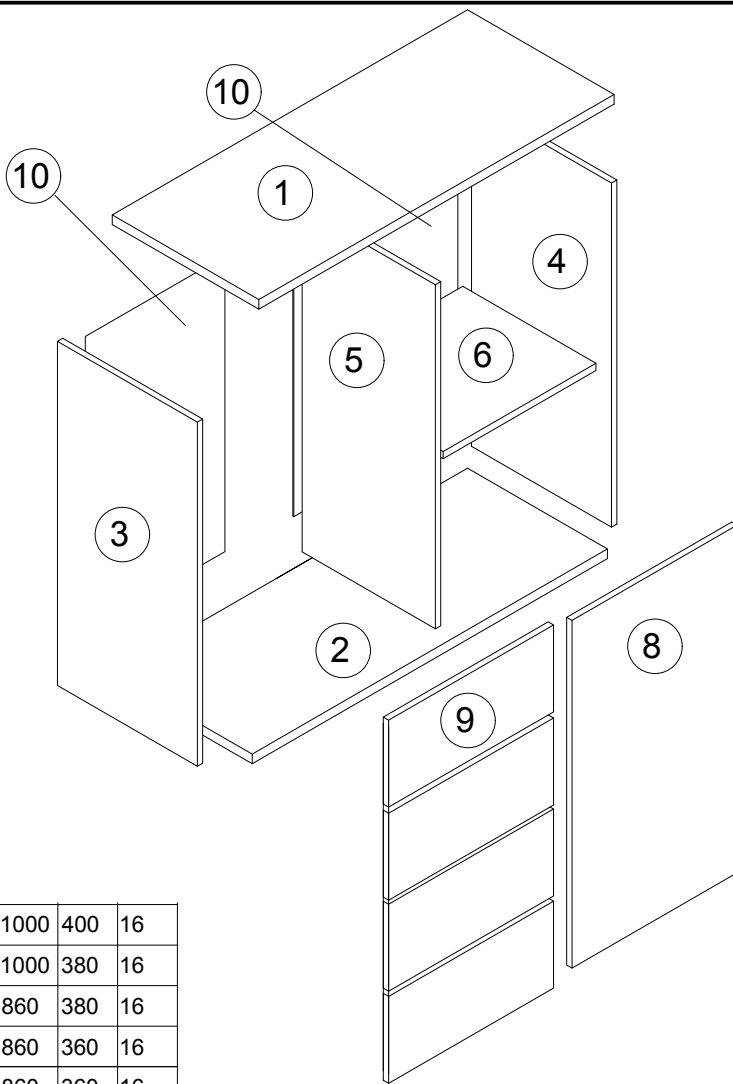


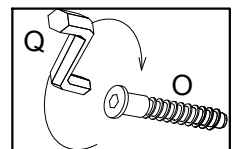
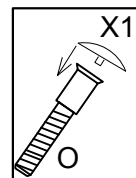
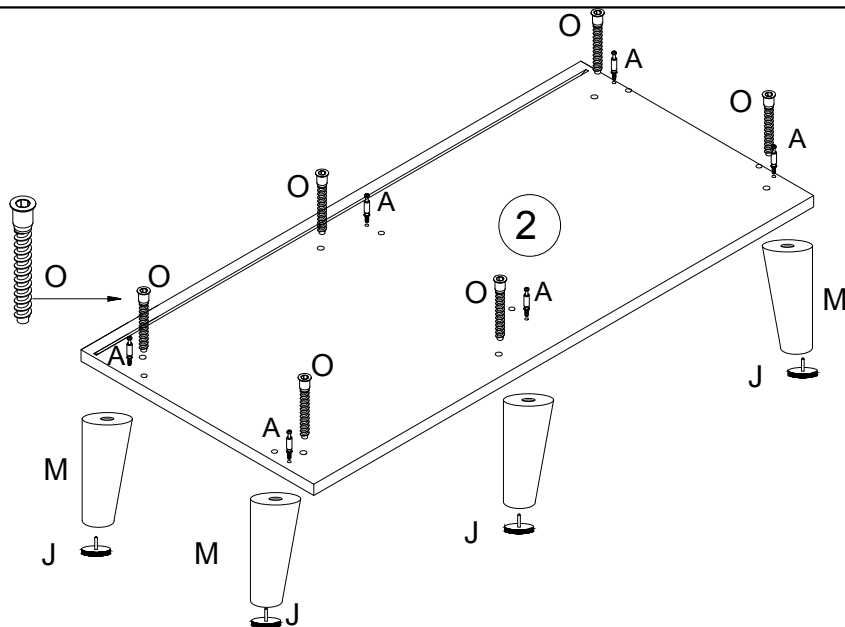
| | | | | | | | | | |
|-----------------------|-----------------------|-------------|-----------------------|-----------------------|----------------------|-----------------------|------------|------------------------|-------------|
| 8.0x35 D 44 | 4.0x30 G 10 | A 28 | Ø15x12 B 28 | 3.5x16 H 44 | 7.0X50 O 6 | 4.0x30 P 10 | S 4 | L-350 mm R 4 | Z 2 |
| X 28 | F 5 | M 6 | I 13 | Q 1 | X1 6 | L 2 | J 6 | J 36 | T1 6 |



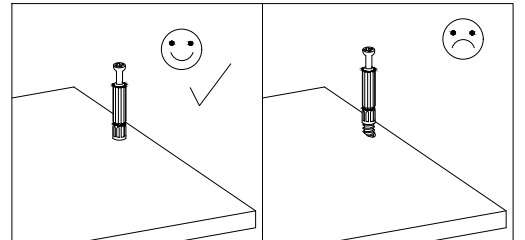
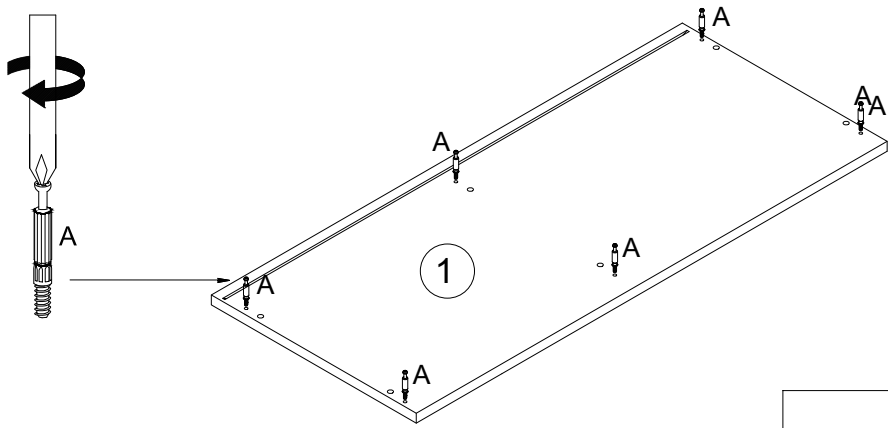


| | | | | |
|-----|---|------|-----|----|
| 1. | 1 | 1000 | 400 | 16 |
| 2. | 1 | 1000 | 380 | 16 |
| 3. | 1 | 860 | 380 | 16 |
| 4. | 1 | 860 | 360 | 16 |
| 5. | 1 | 860 | 360 | 16 |
| 6. | 1 | 476 | 350 | 16 |
| 7. | 4 | 355 | 448 | 3 |
| 8. | 1 | 869 | 495 | 16 |
| 9. | 4 | 215 | 495 | 16 |
| 10. | 2 | 876 | 490 | 3 |
| 11. | 4 | 418 | 140 | 16 |
| 12. | 4 | 350 | 140 | 16 |
| 13. | 4 | 350 | 140 | 16 |

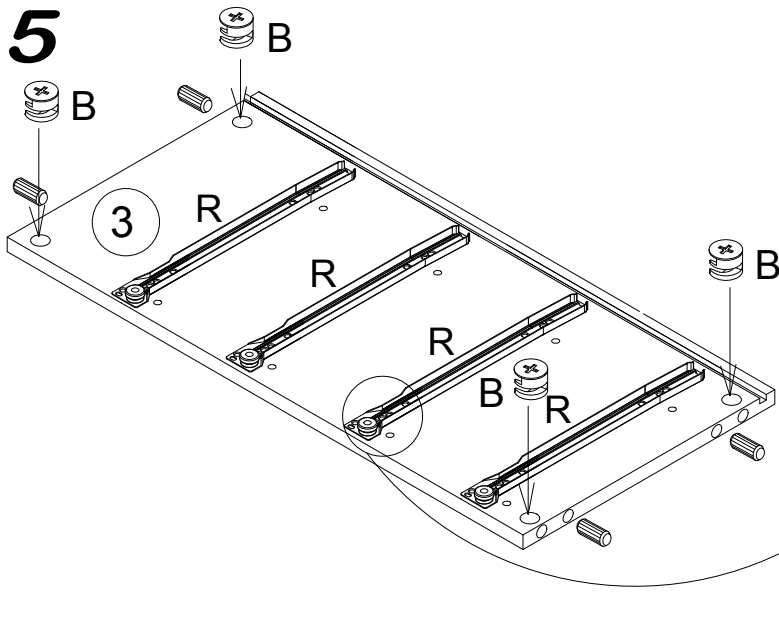
1



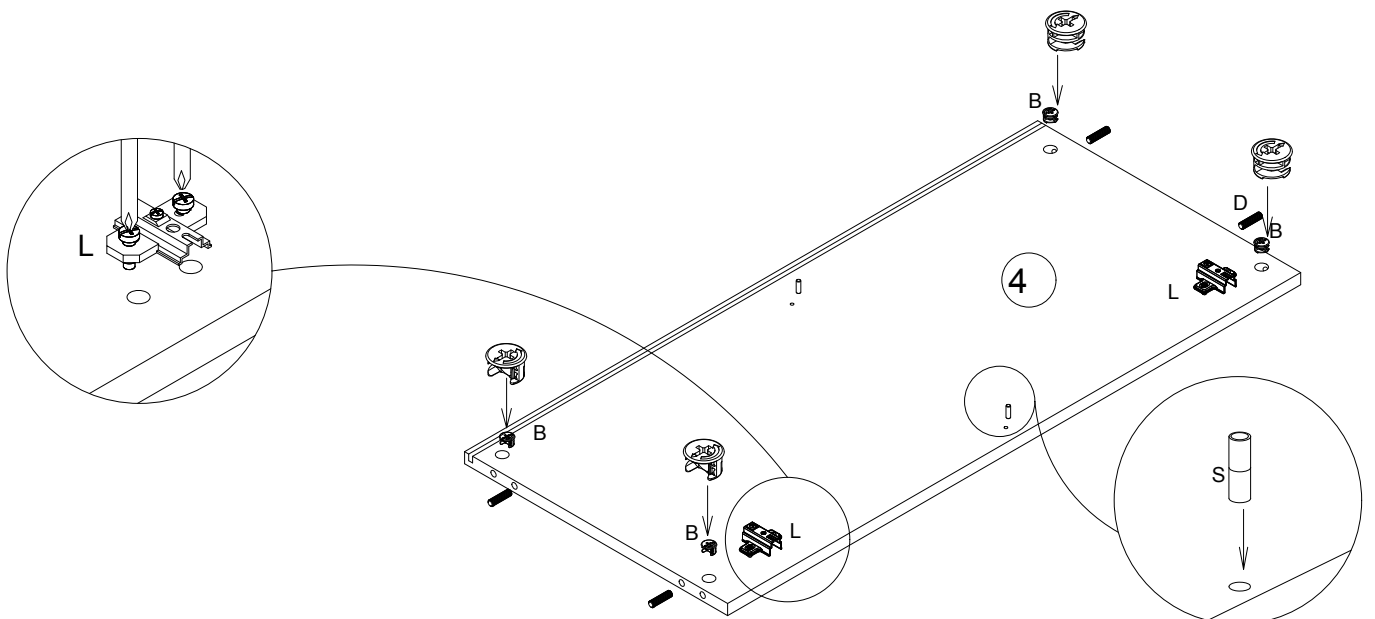
2



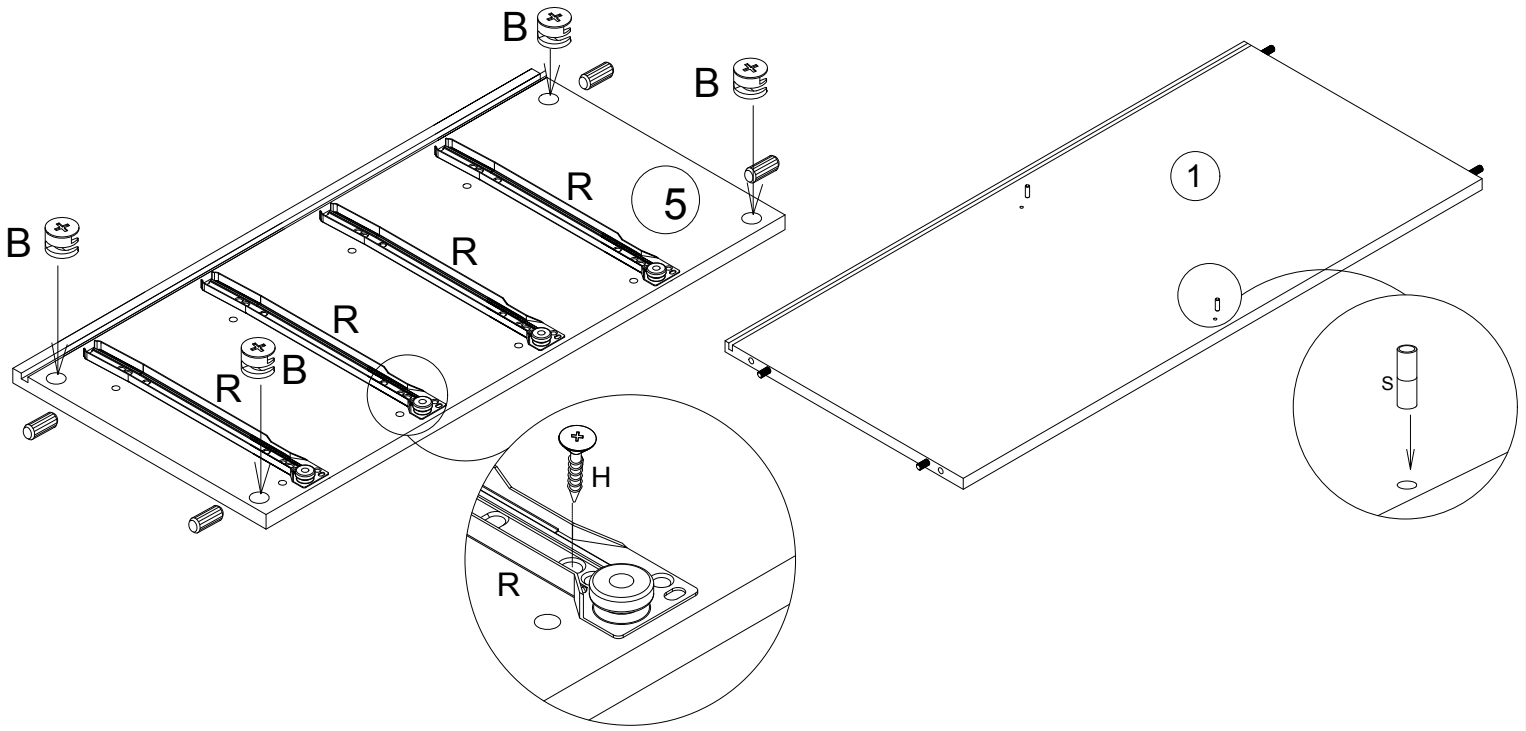
3



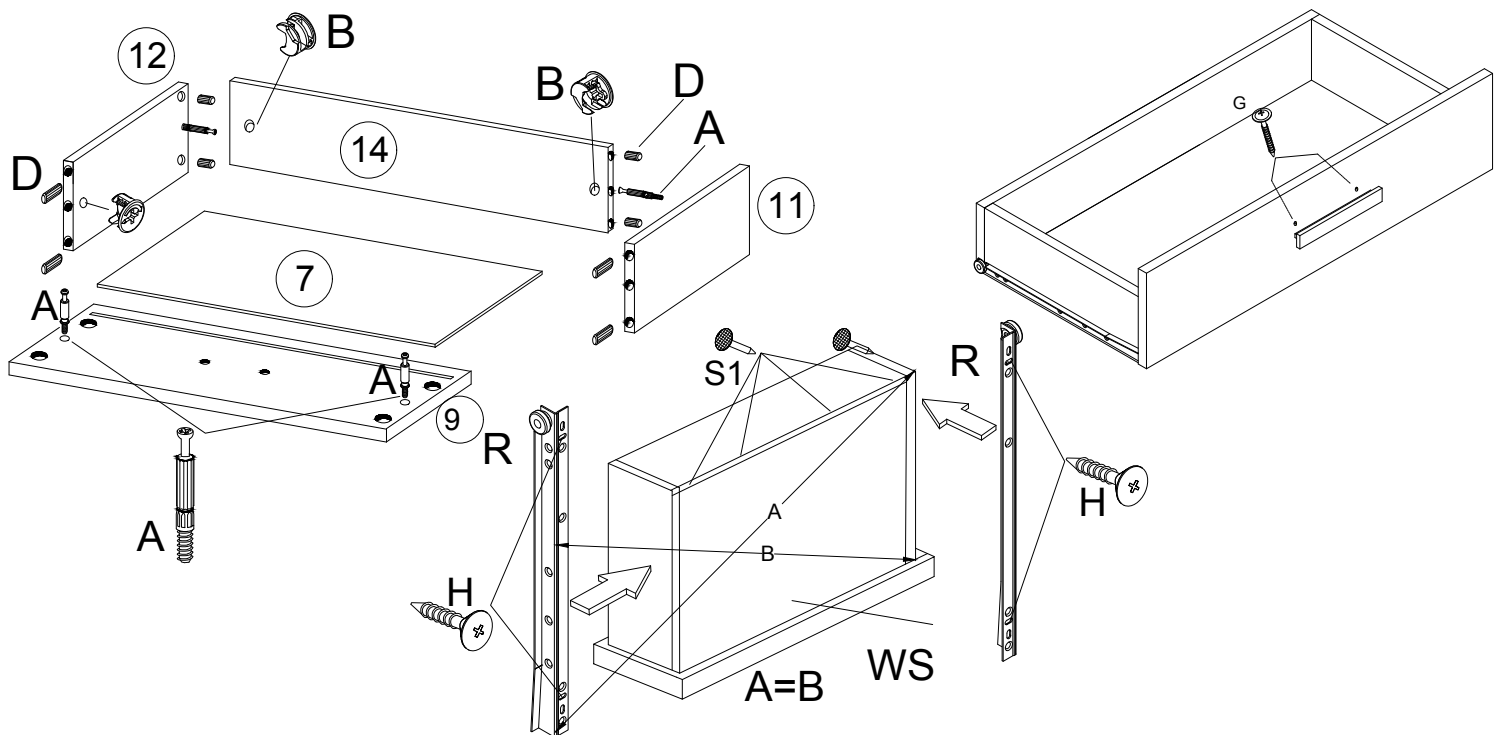
4



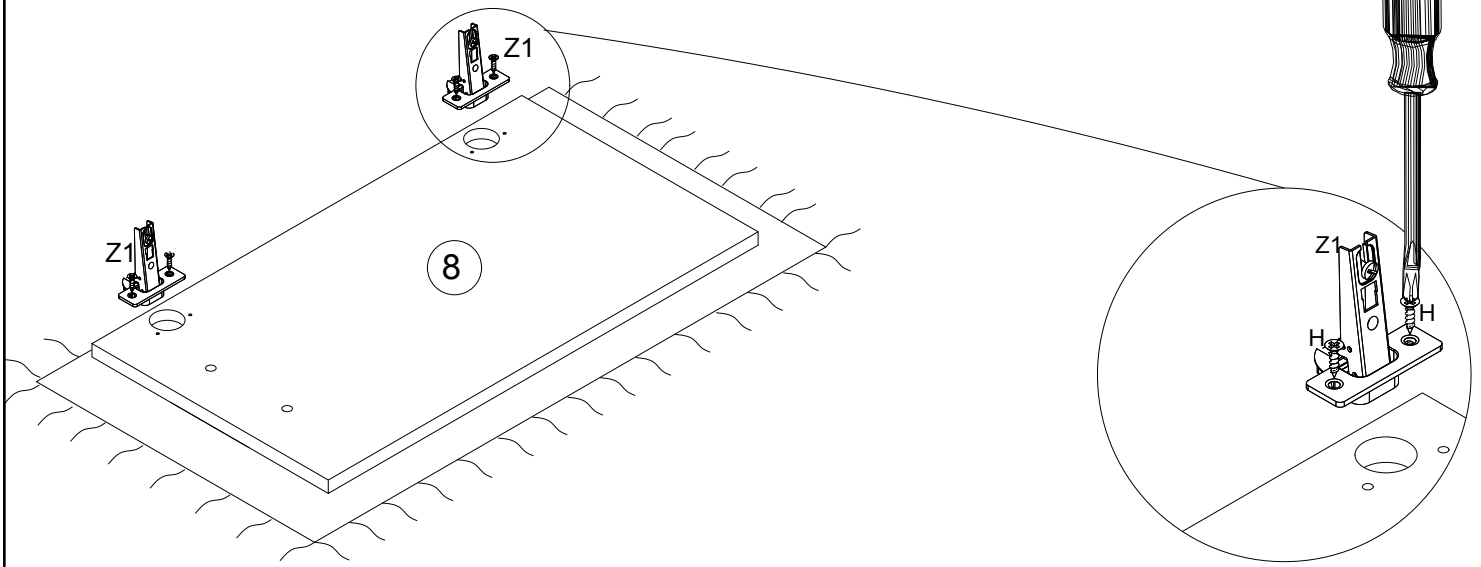
6



7



8



9

