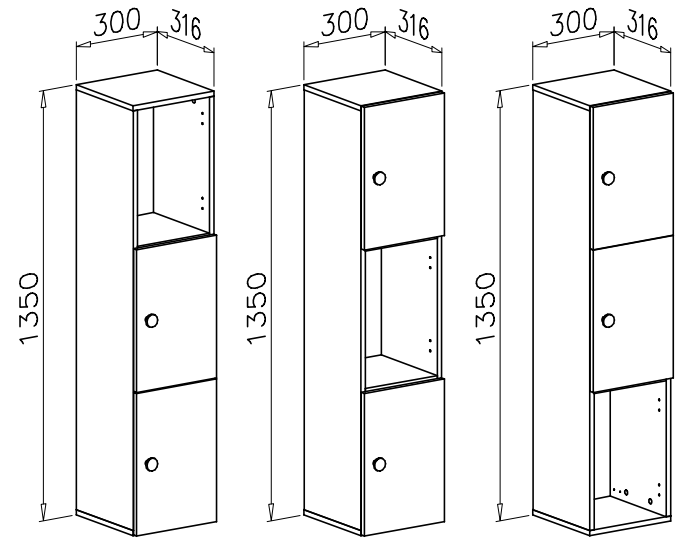
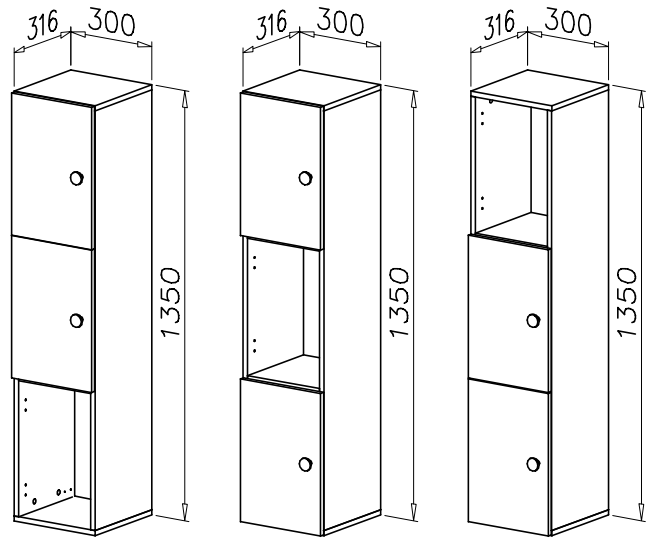

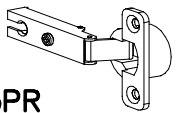
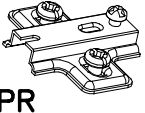
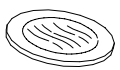

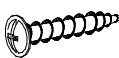
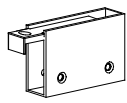
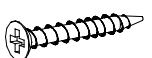

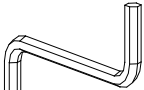
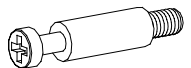


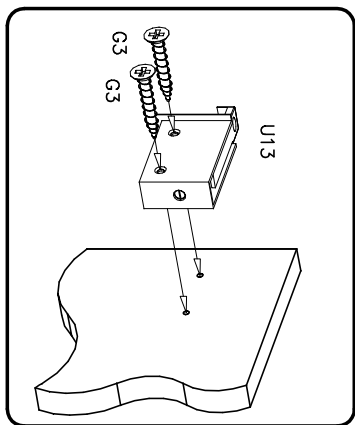
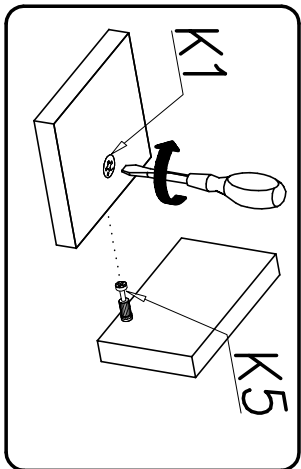
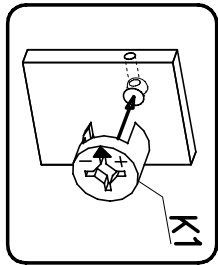
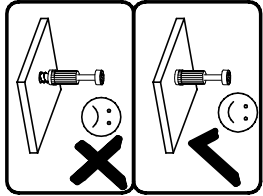
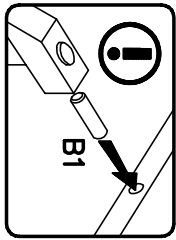


L

P

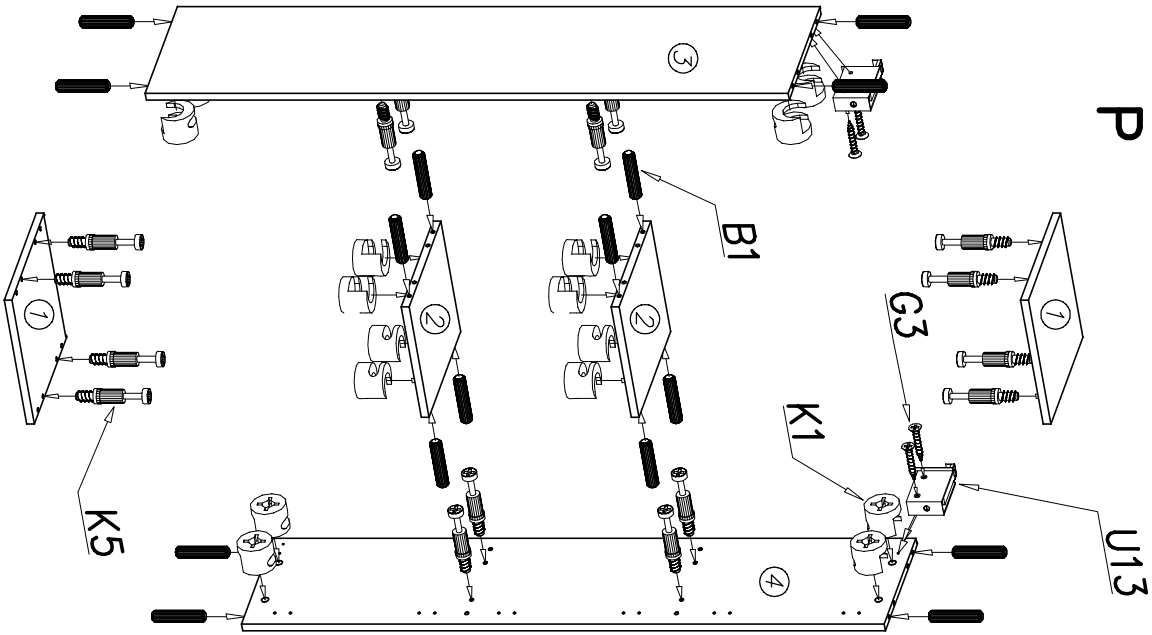


| | | | | |
|---|--|---|---|--|
| | | E35  x2 | C3  Z35PR x4 | D3  PZ35PR x4 |
| I8  ø20 x20 | G4  4x16 x8 | G16  4x27 x2 | U13  x2 | G3  4x30 x4 |
| K1  ø15x12 x16 | W2  4mm x1 | K5  x16 | W4  x35 | B1  ø8x35 x16 |

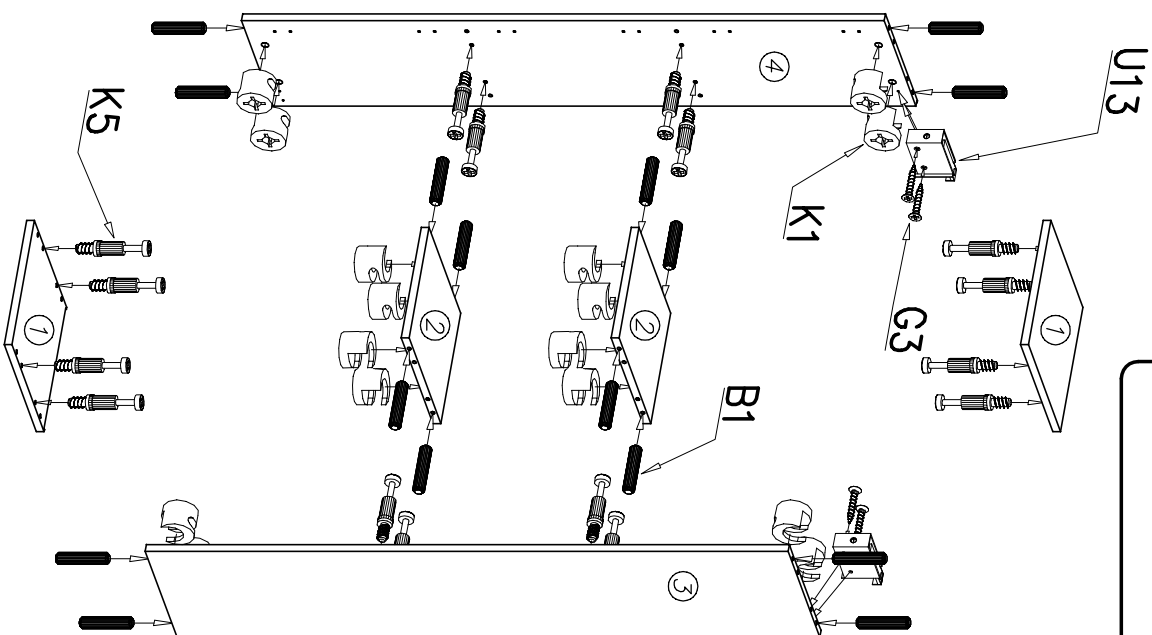


1

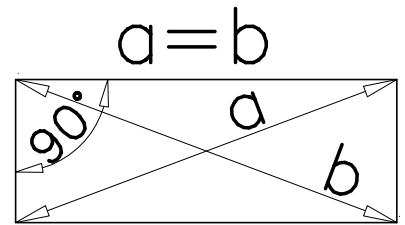
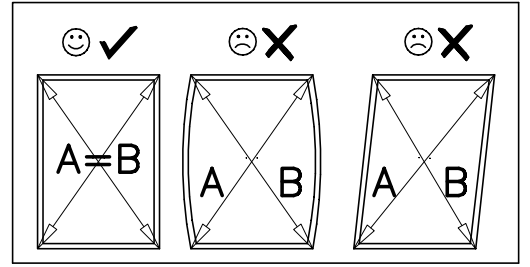
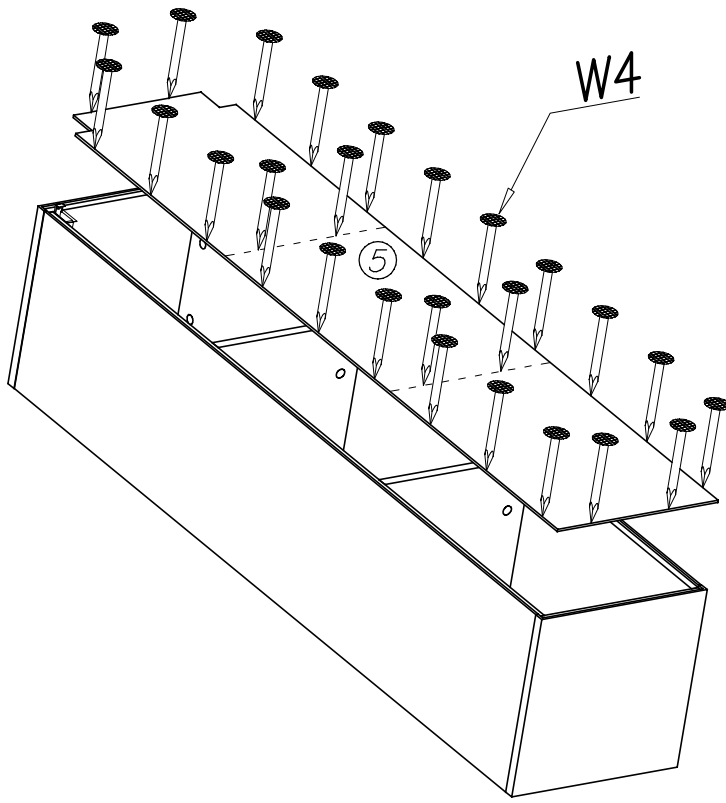
P



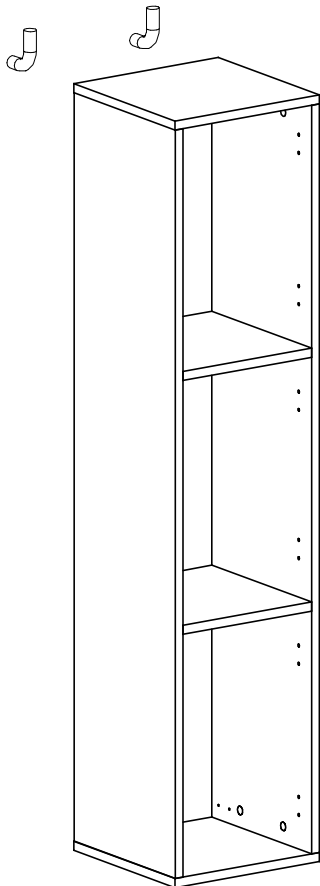
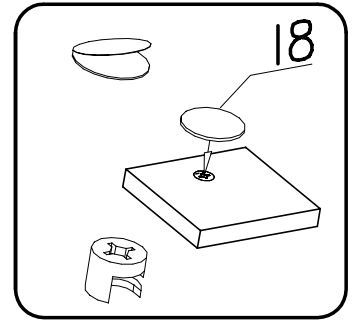
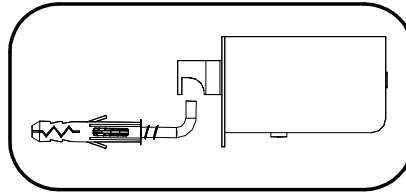
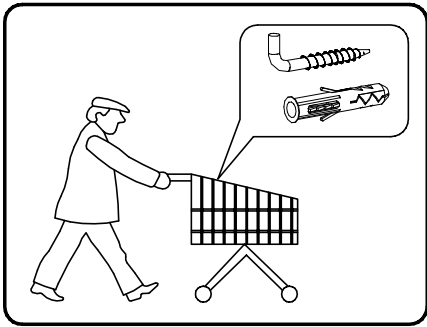
L



2

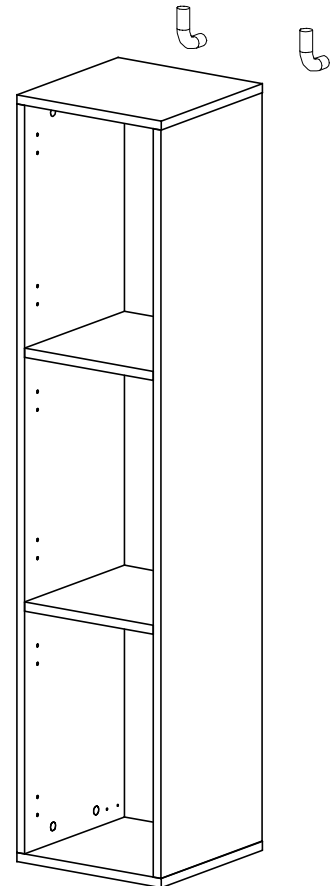


3

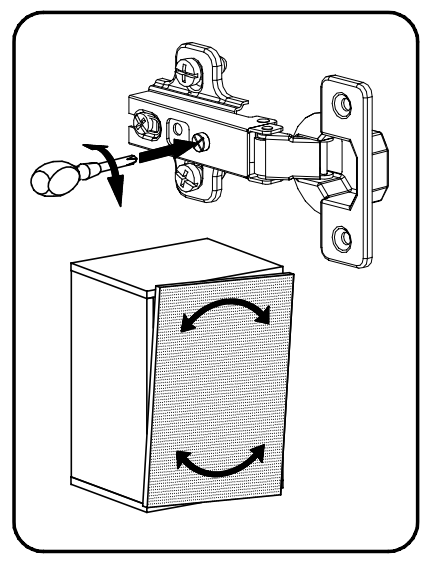
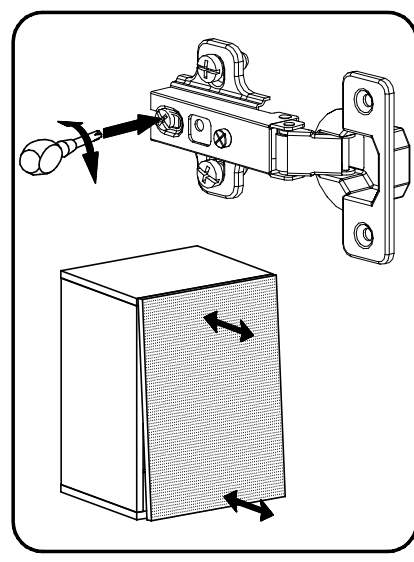
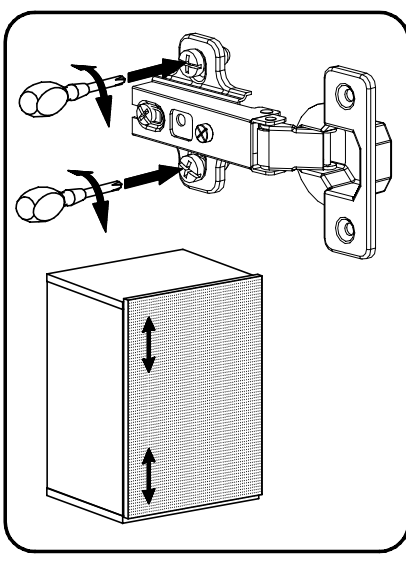
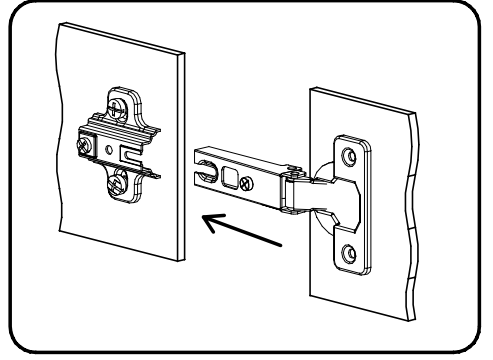
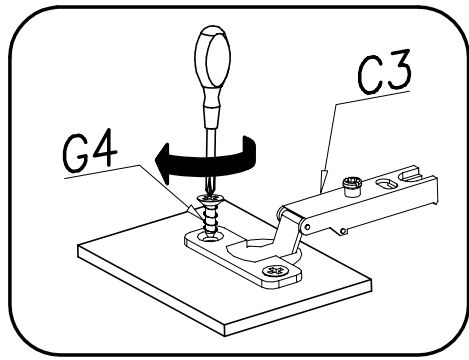
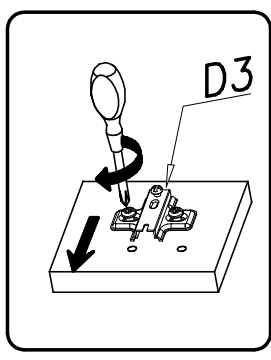
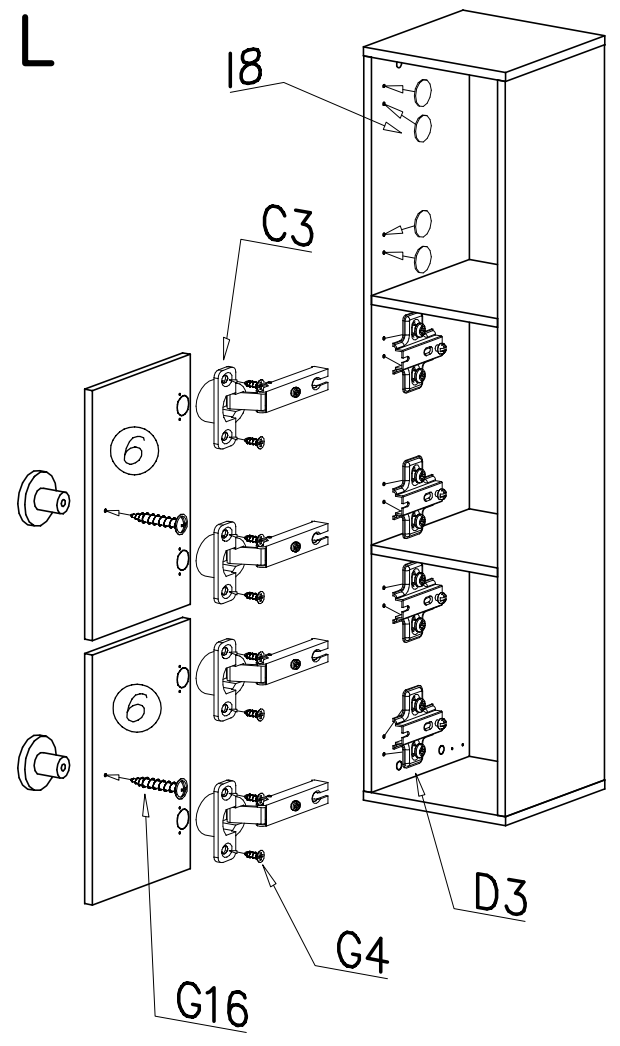
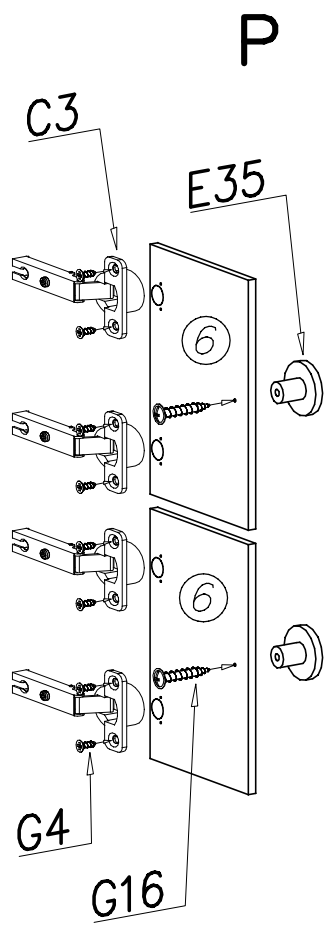
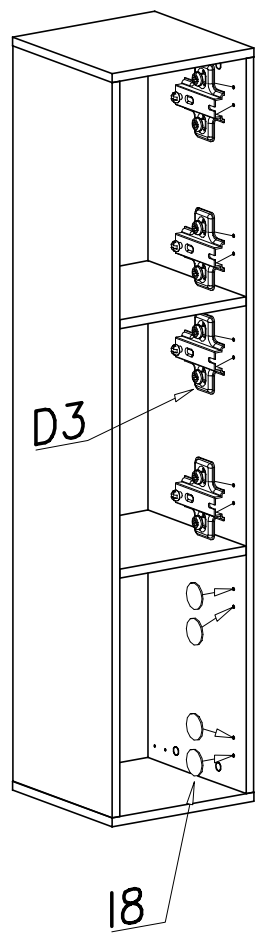


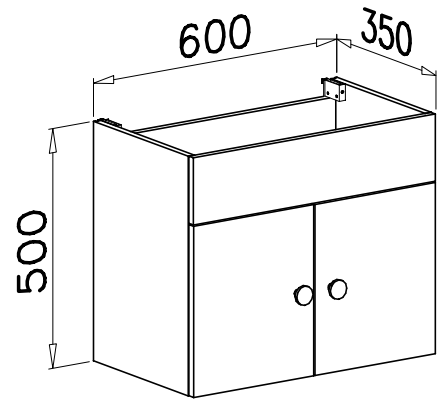
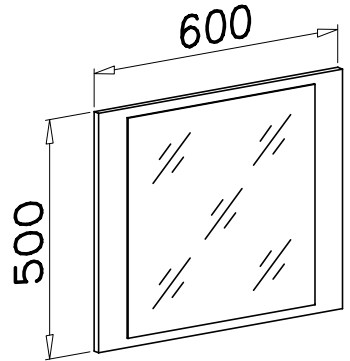
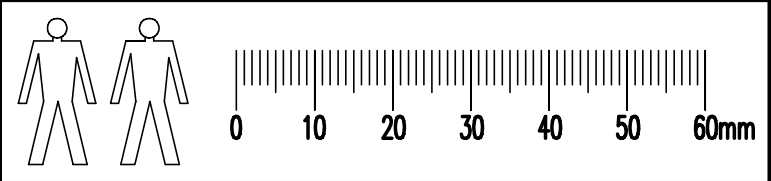
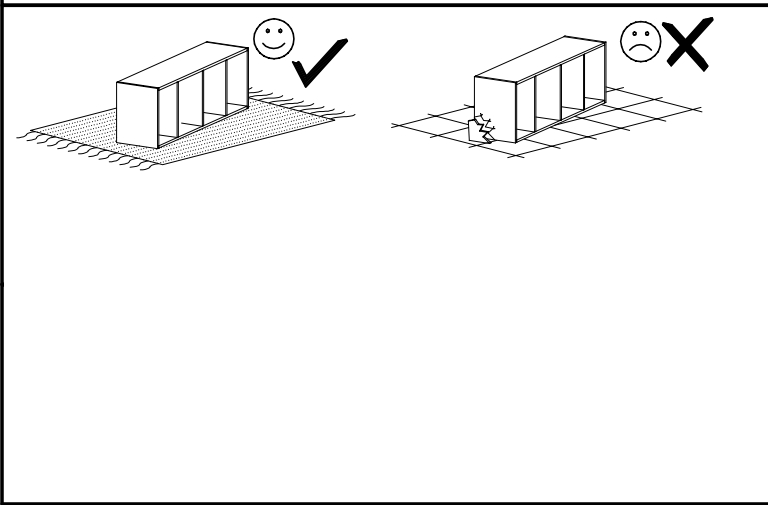
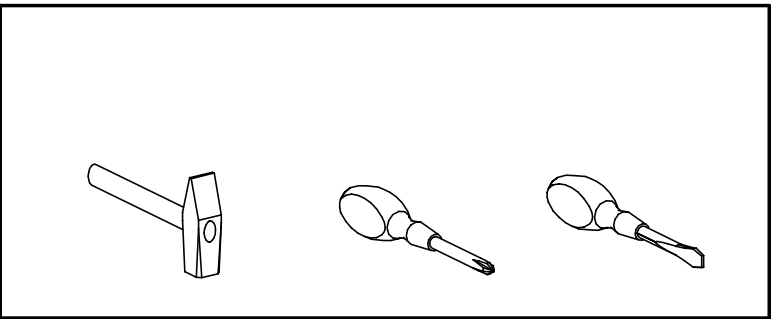
P




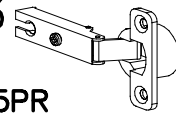
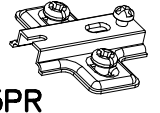



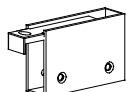
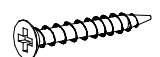

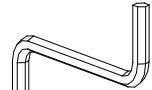
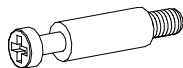


L

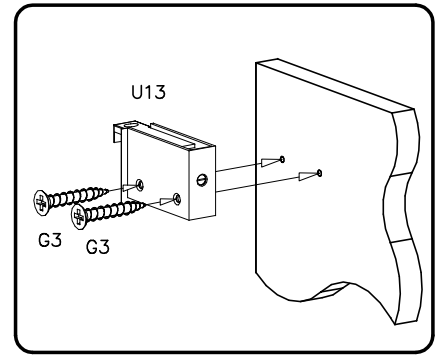
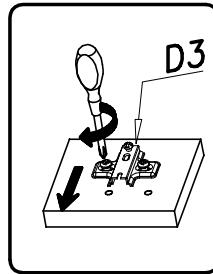
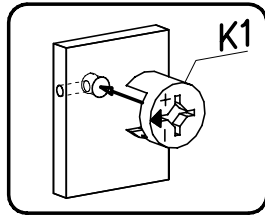
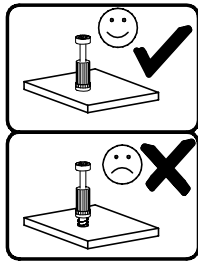
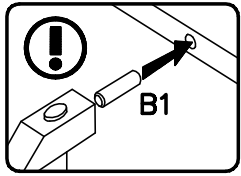


4

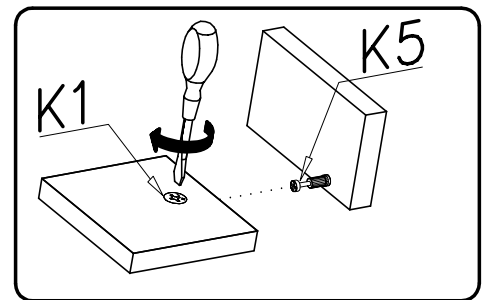
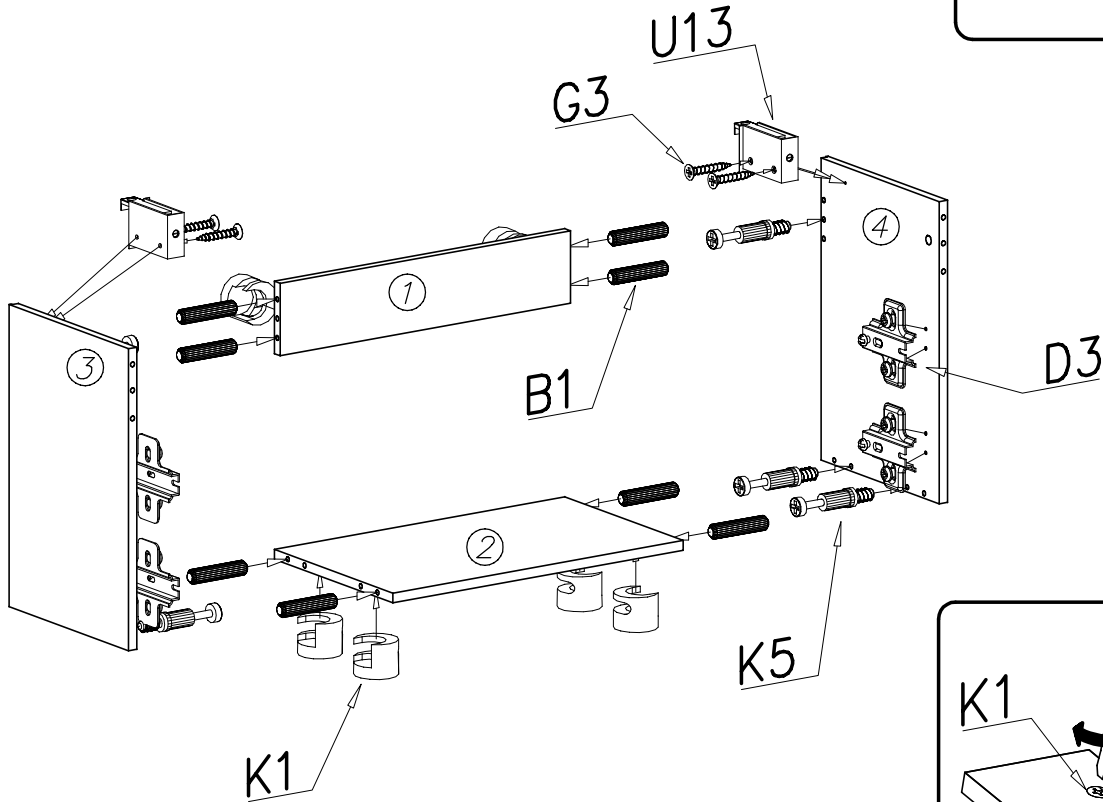




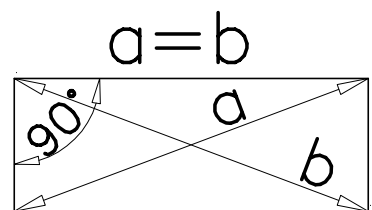
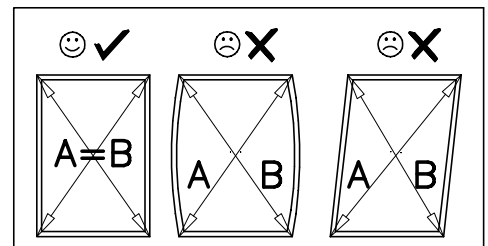
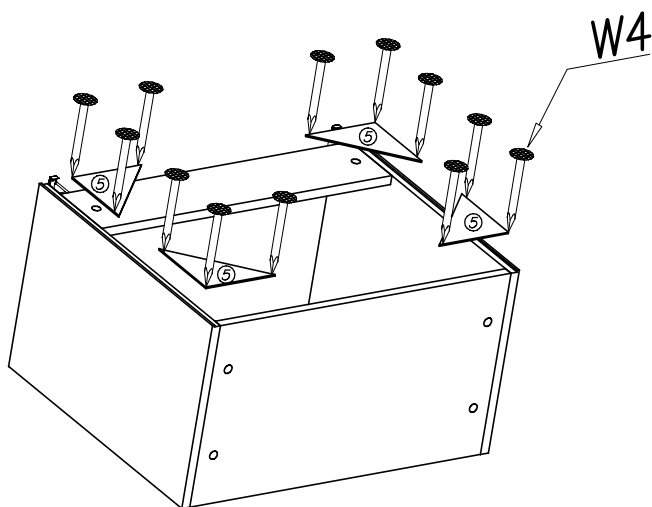
| | | | | |
|--|--|--|--|---|
| U1  x2 | G20  5x13 x4 | E35  x2 | C3  Z35PR x4 | D3  PZ35PR x4 |
| I8  ø20 x12 | G4  4x16 x8 | G16  4x27 x2 | U13  x2 | G3  4x30 x4 |
| K1  ø15x12 x12 | W2  4mm x1 | K5  x12 | W4  x25 | B1  ø8x35 x12 |



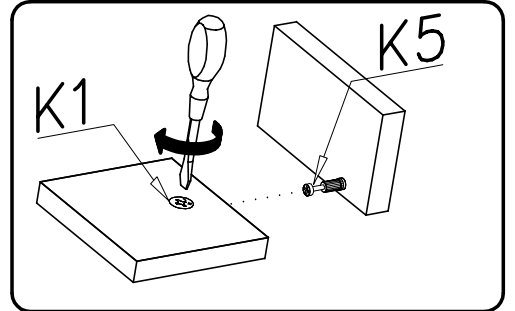
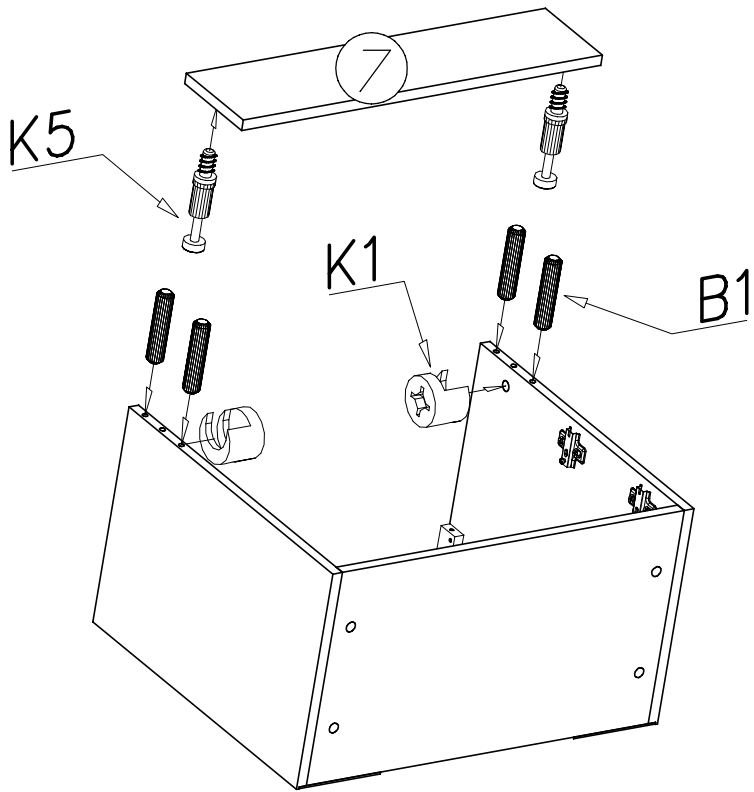
1



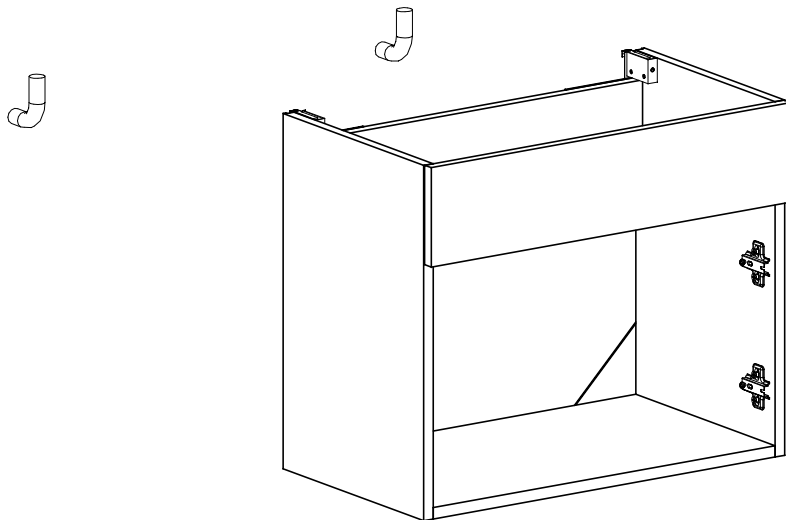
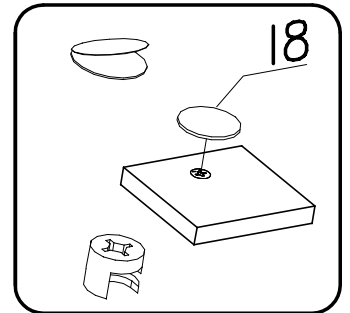
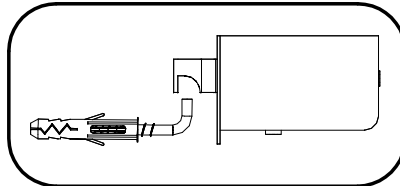
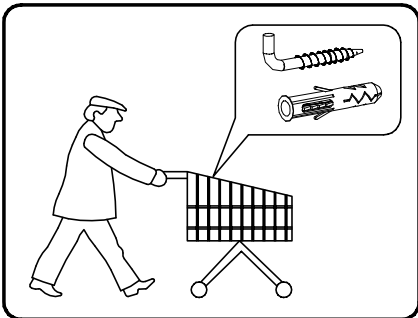
2



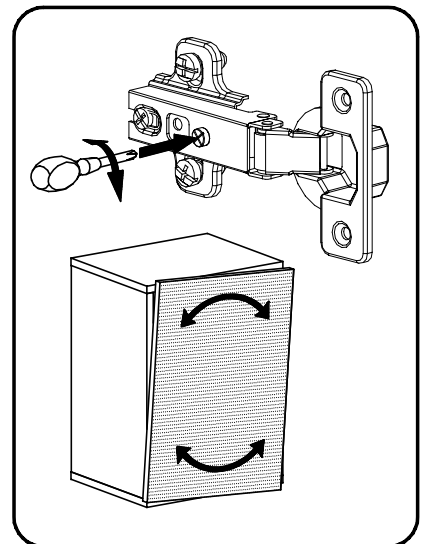
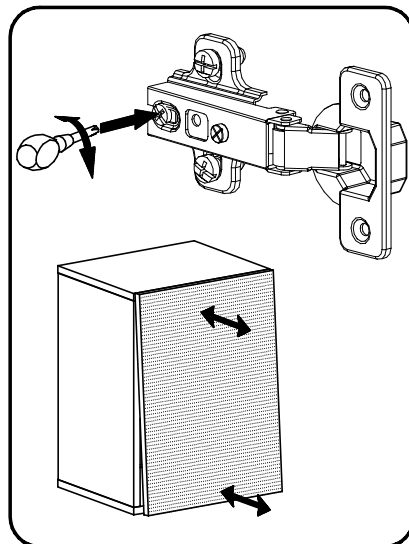
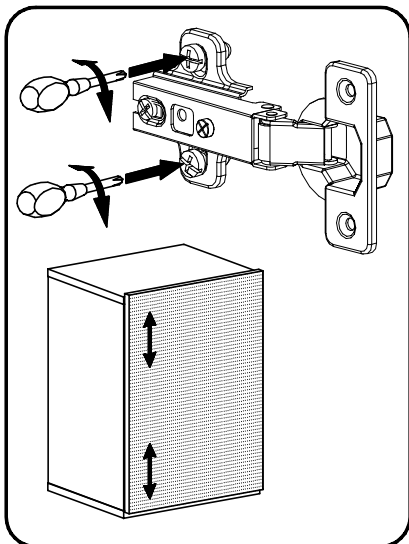
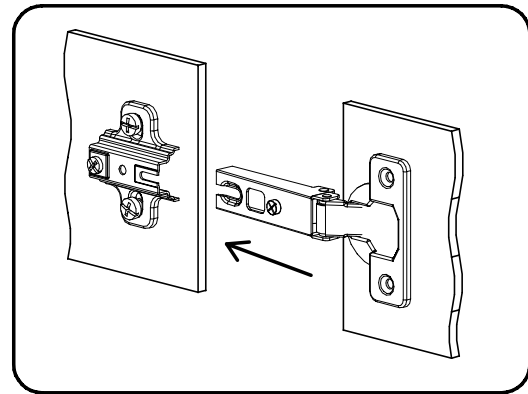
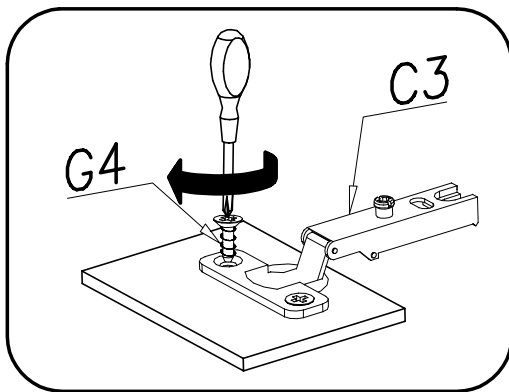
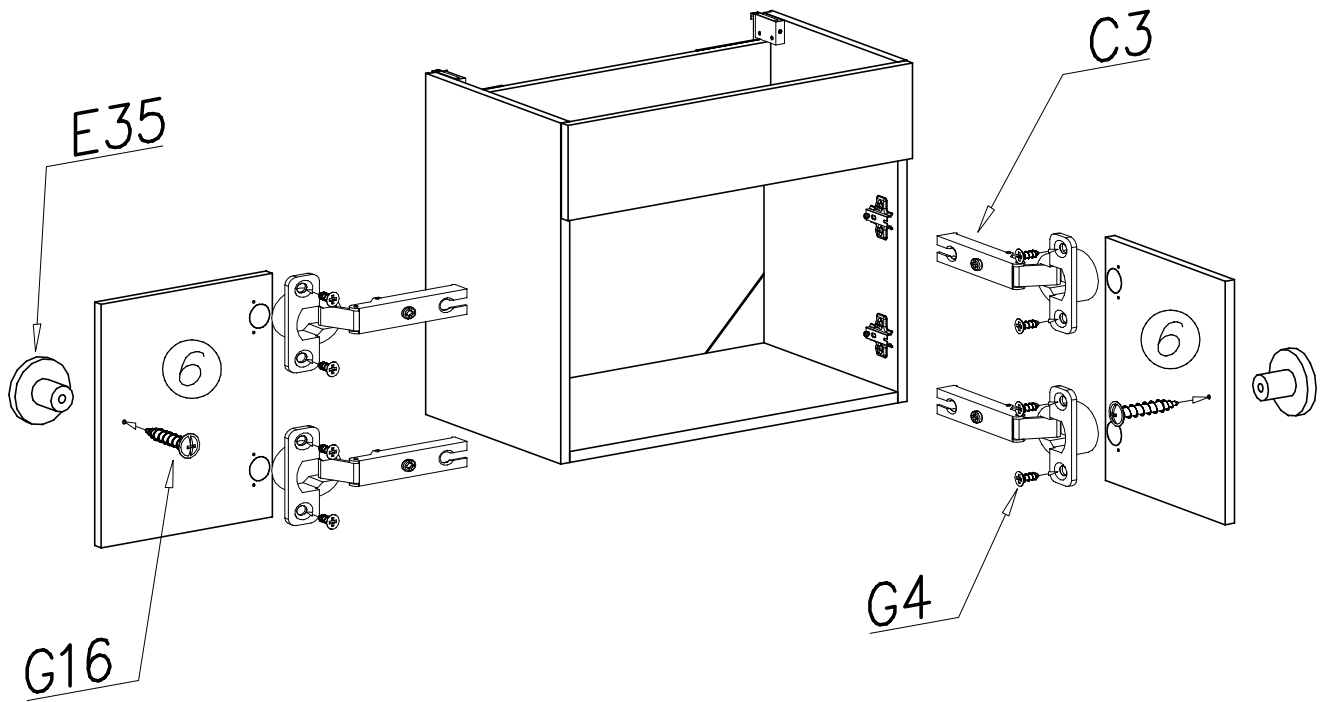
3



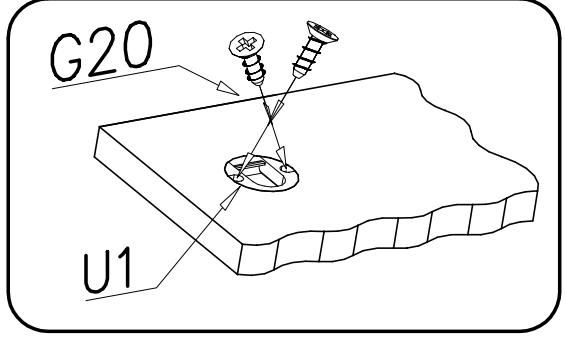
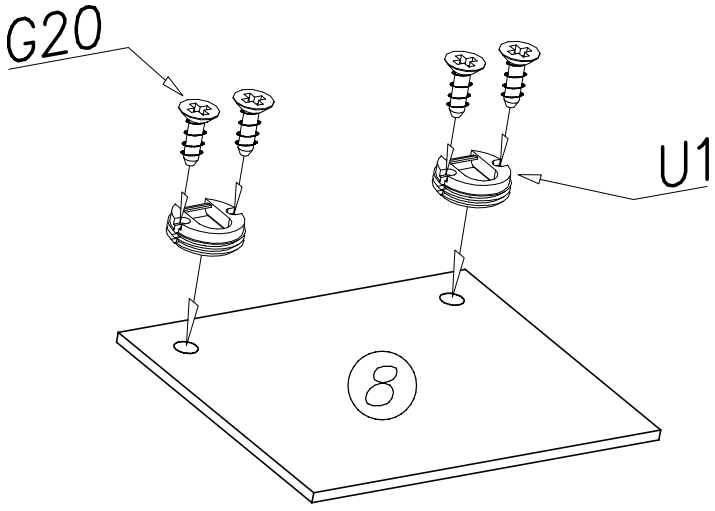
4



5



6



7

