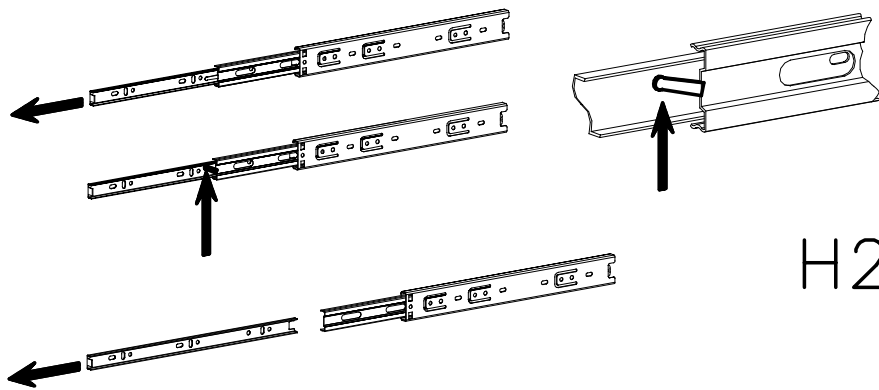
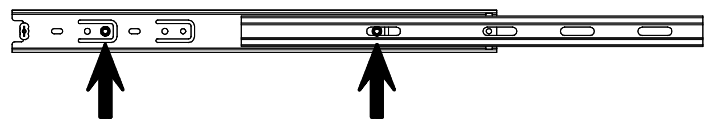
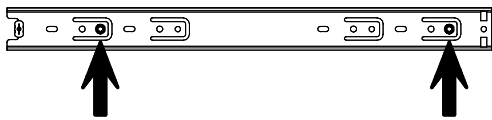
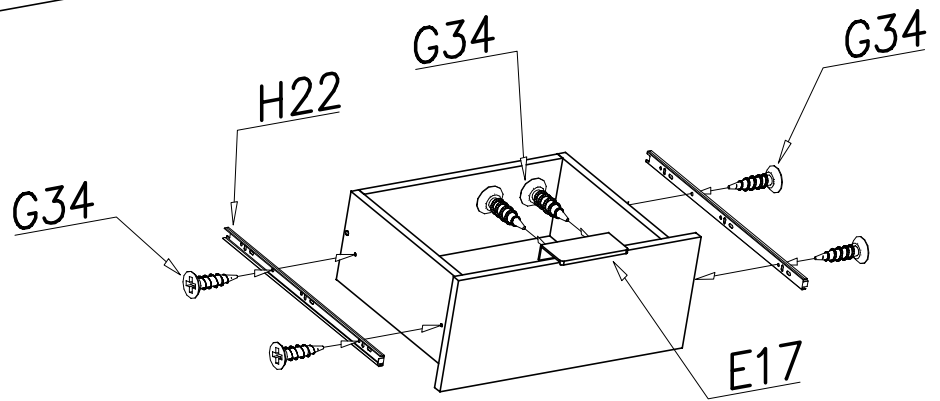
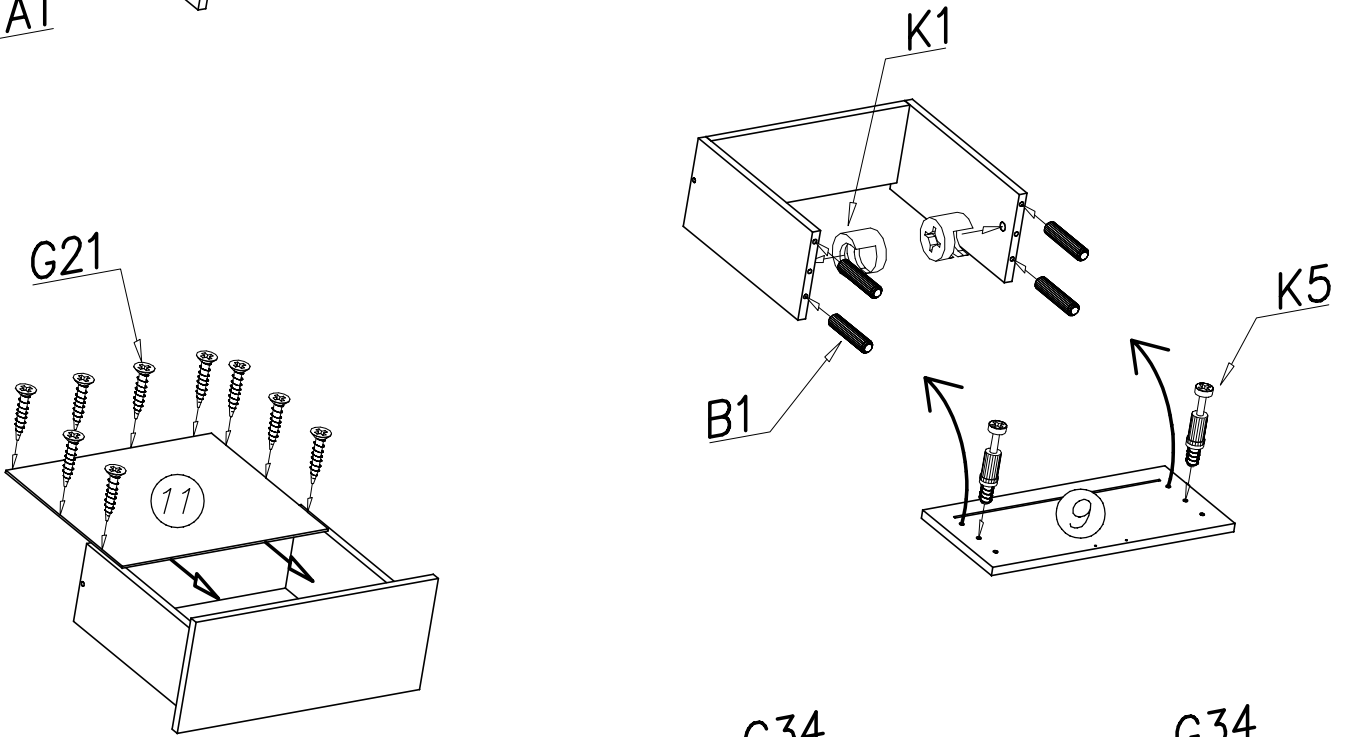
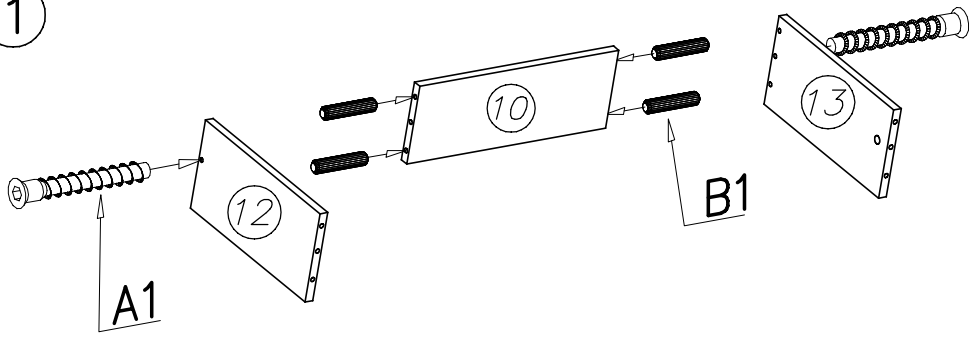


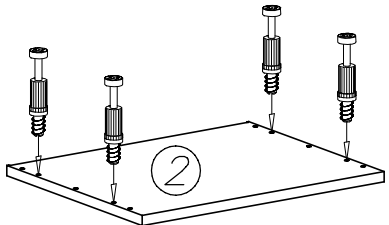
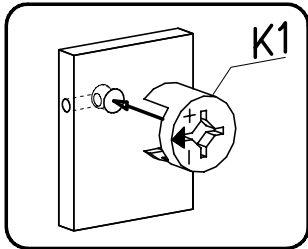
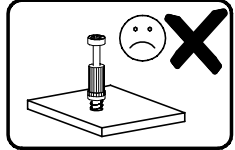
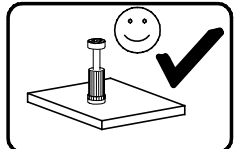
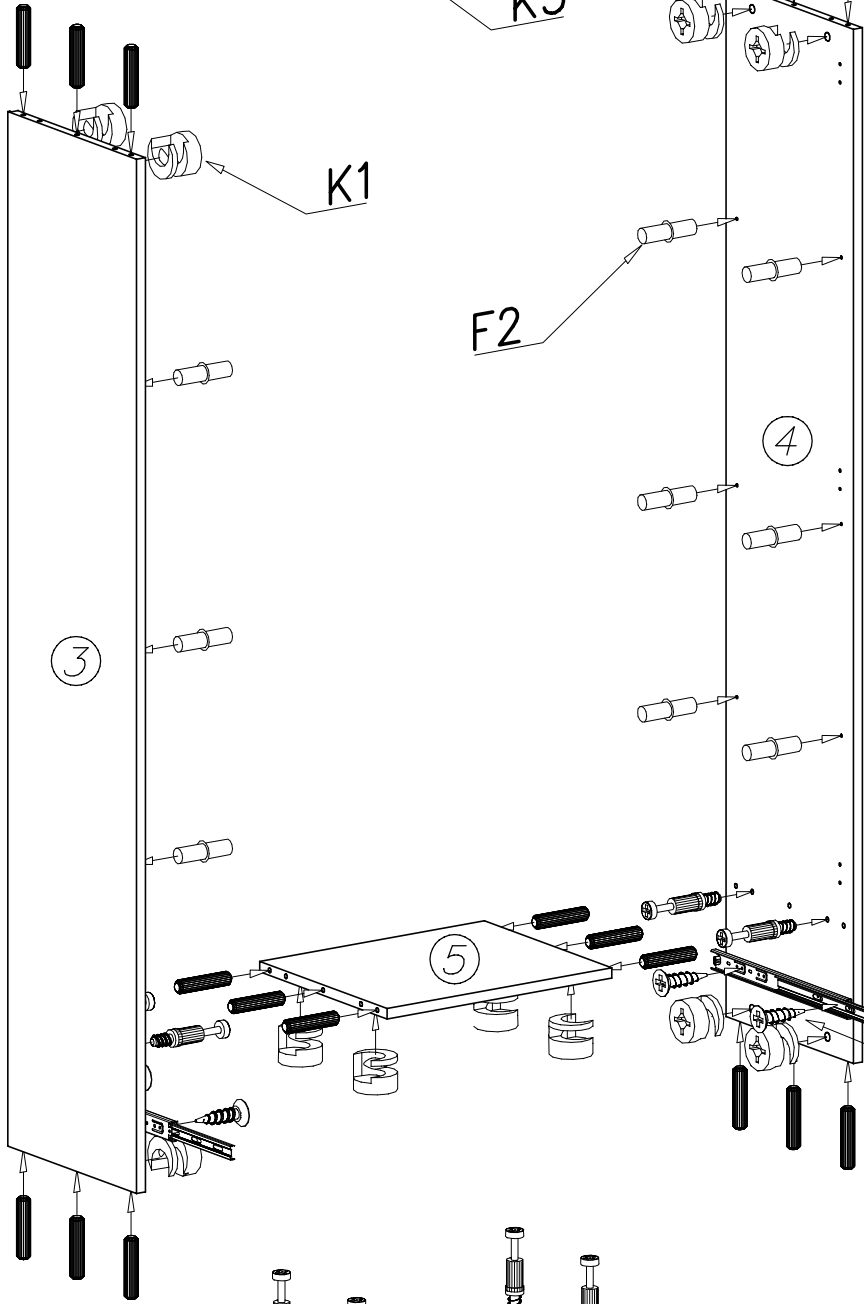
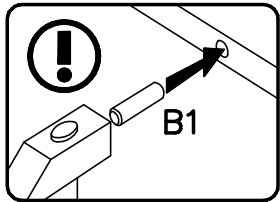
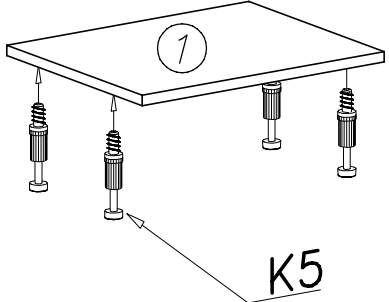
<b>H22</b>  x1	<b>G21</b>  3x16 x70	<b>K5</b>  x14	<b>P13</b>  x4	<b>W2</b>  4mm x1
<b>G34</b>  3,5x16 x12	<b>E17</b>  x2	<b>K1</b>  ø15x13,2 x14	<b>C3</b>  Z35PR x3	<b>D3</b>  PZ35PR x3
<b>A1</b>  ø7x50 x2	<b>G4</b>  4x16 x22	<b>F2</b>  x12	<b>I7</b>  ø18 x14	<b>B1</b>  ø8x35 x26

1

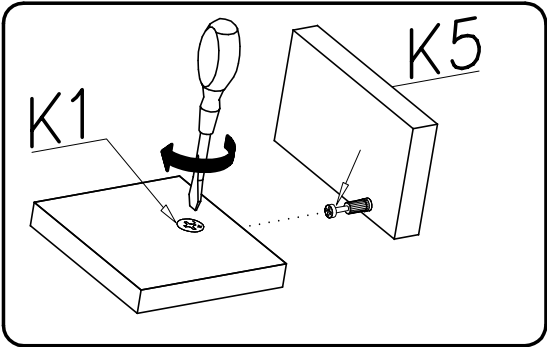


H22

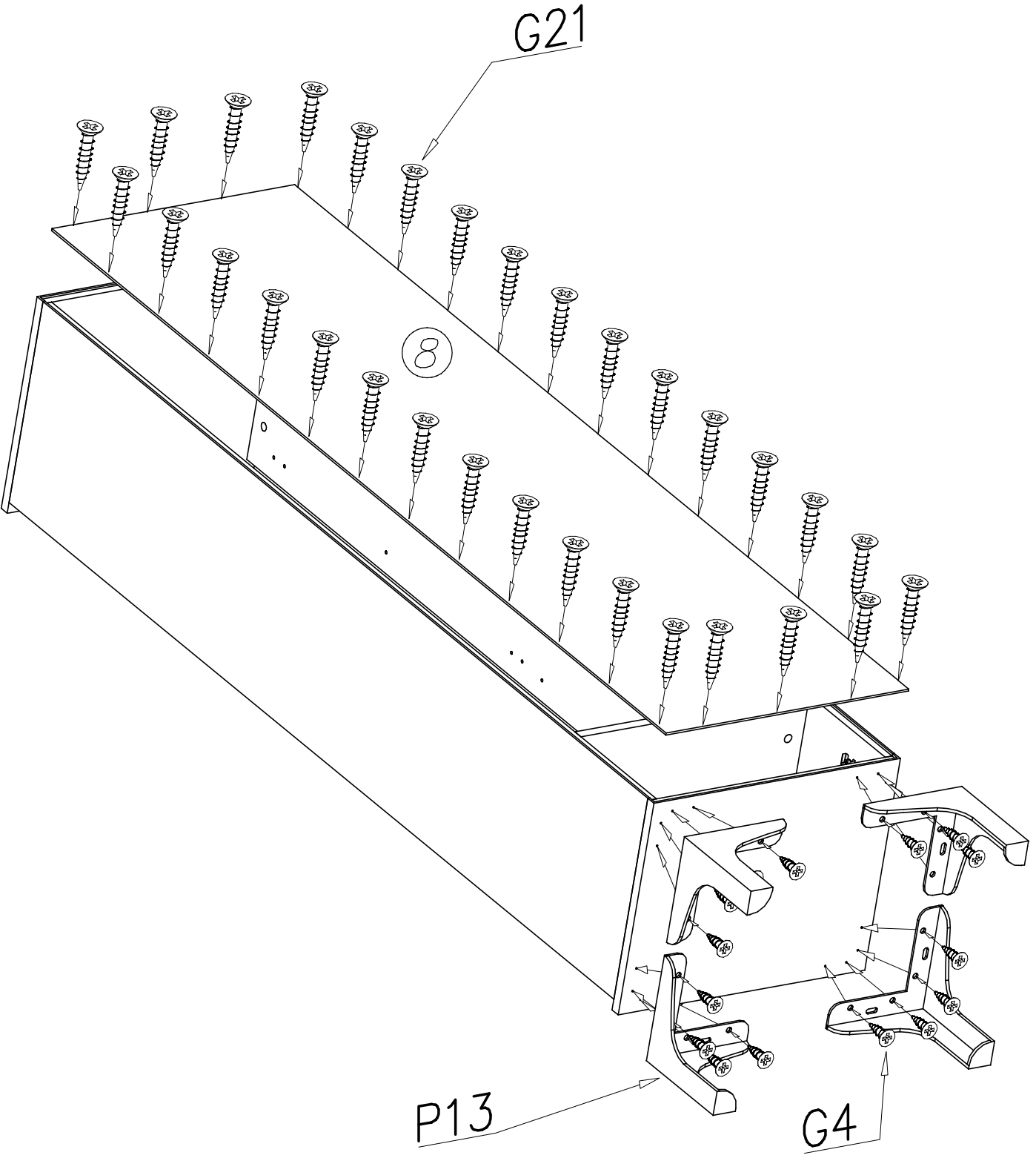
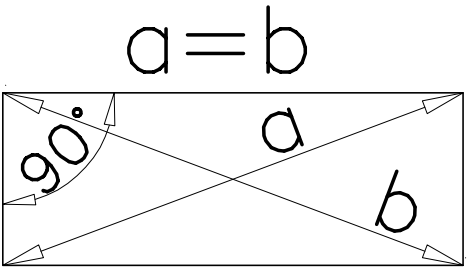
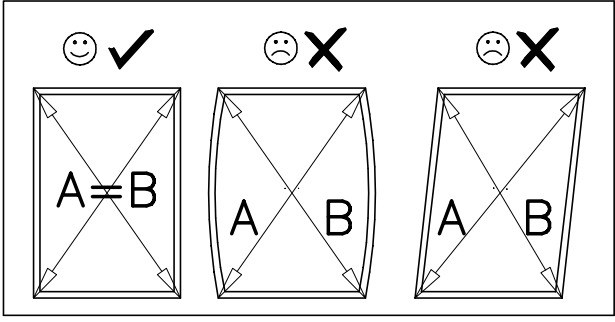
2



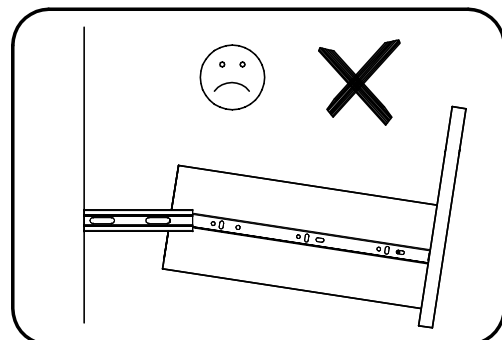
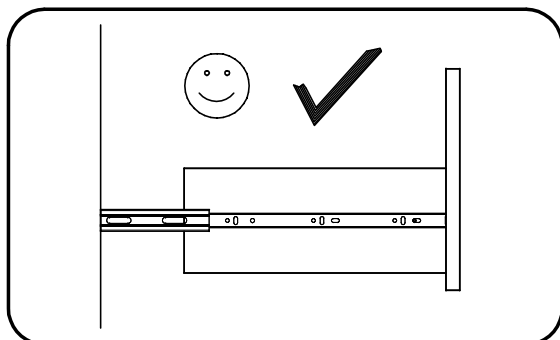
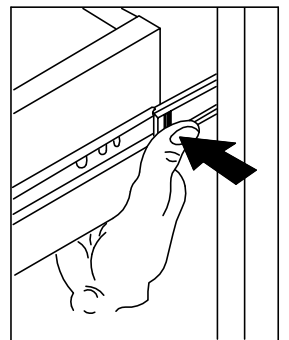
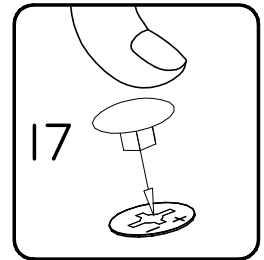
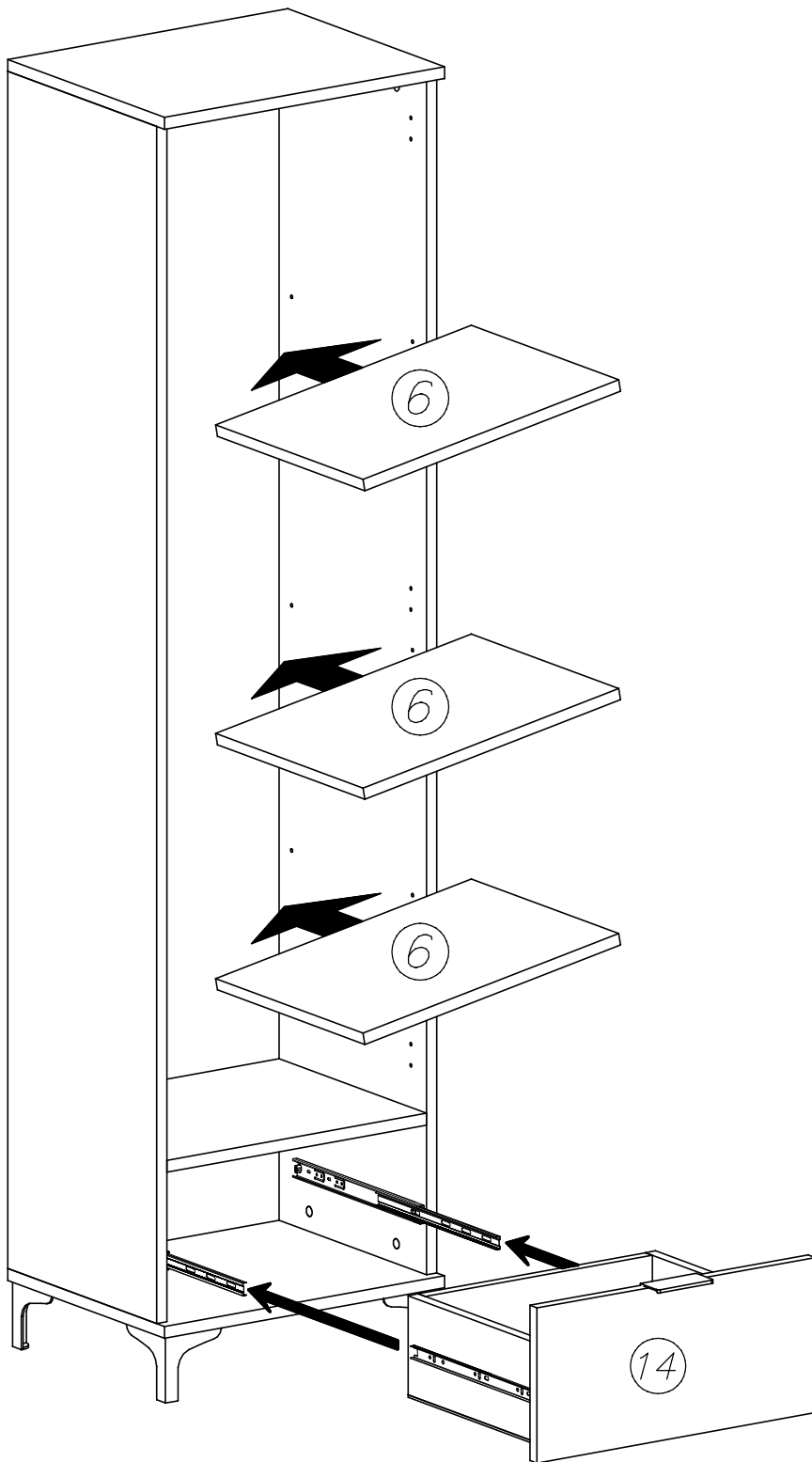
B1



3



4



5

