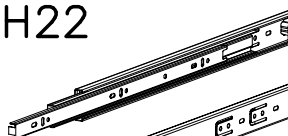

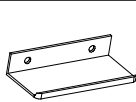
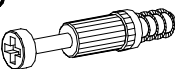
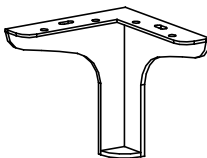
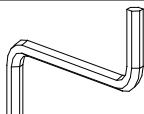



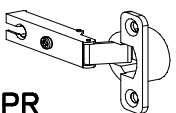

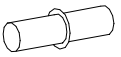


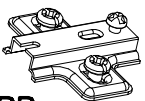
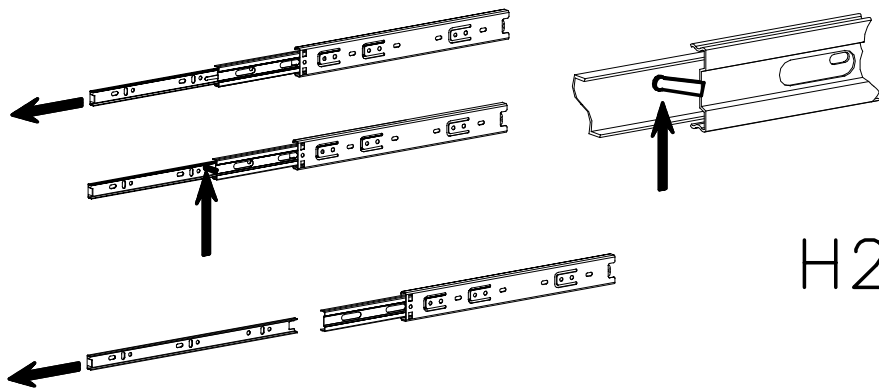
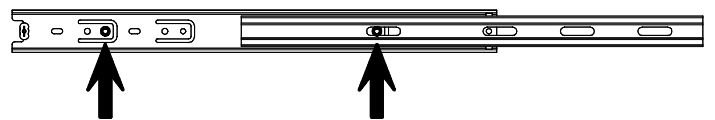
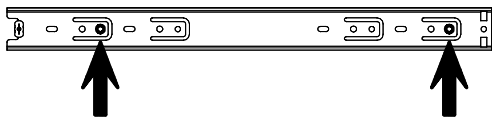
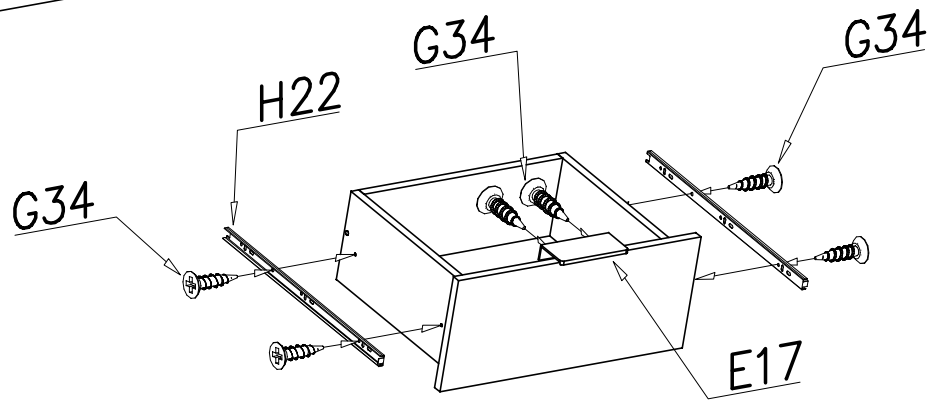
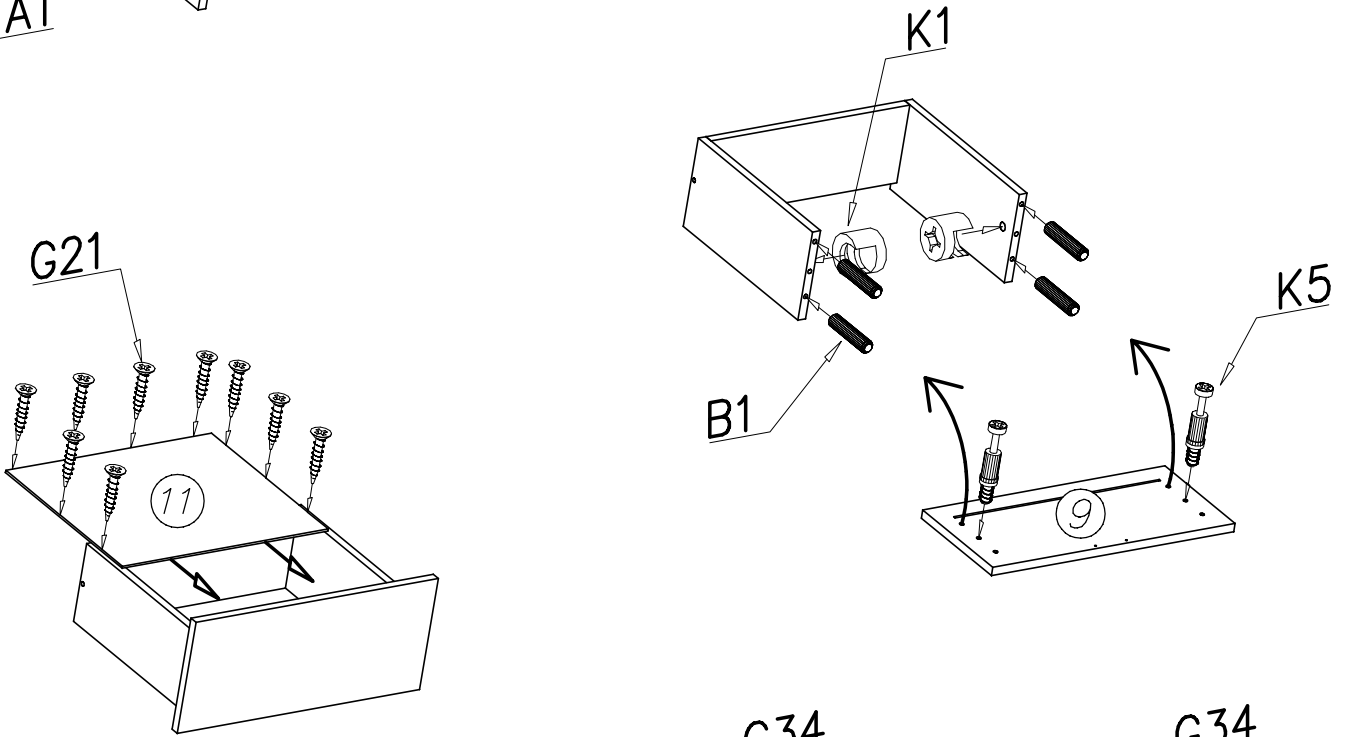
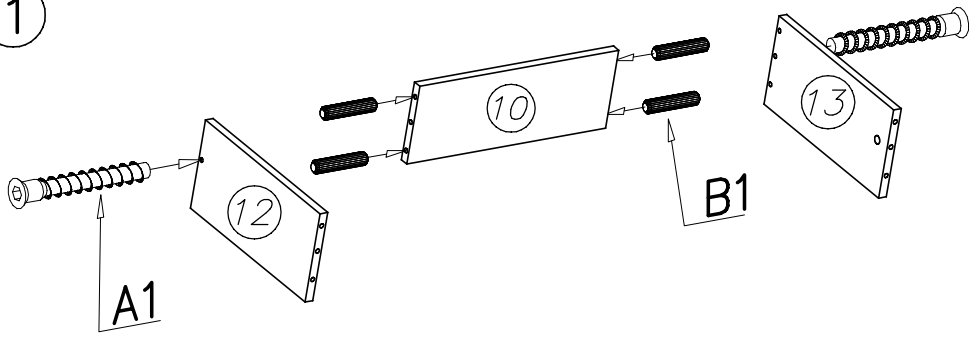


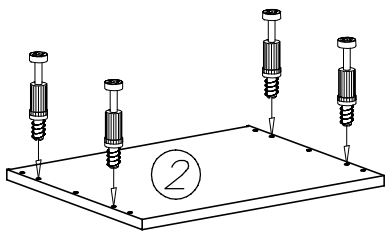
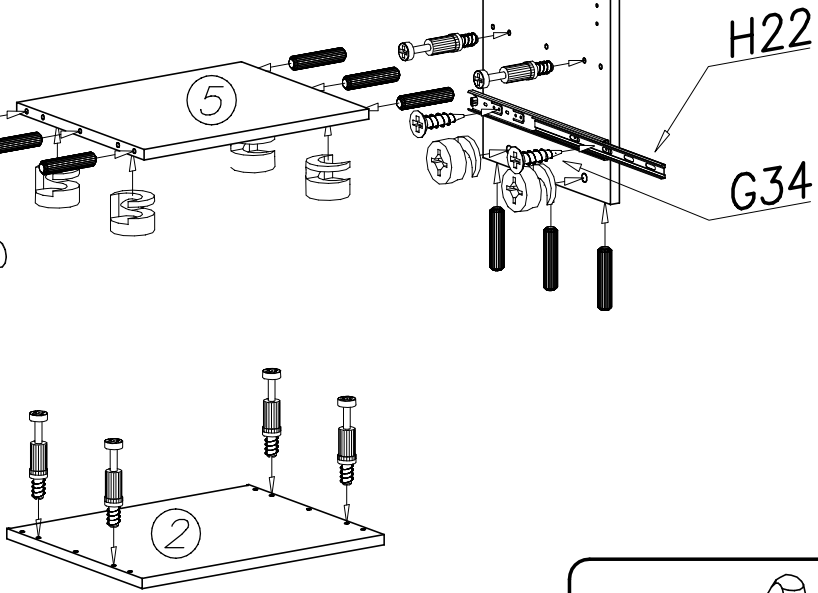
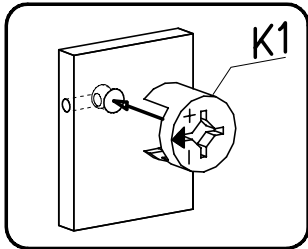
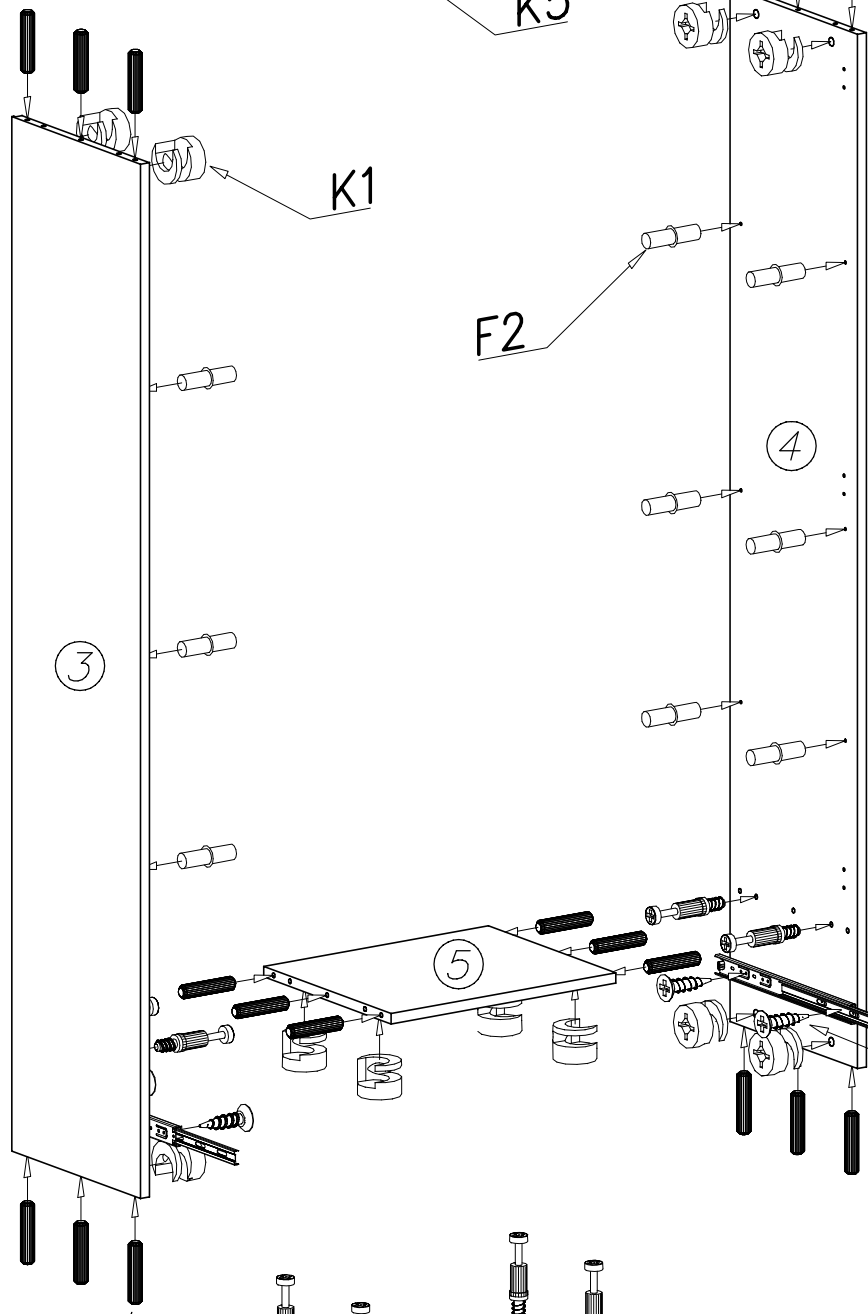
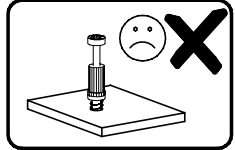
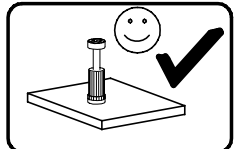
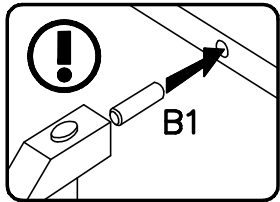
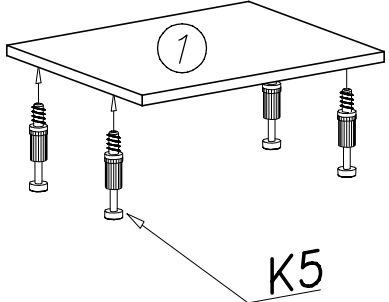
H22  x1	G21  3x16 x70				
	E17  x2	K5  x14	P13  x4		W2  4mm x1
G34  3,5x16 x12	G4  4x16 x22	K1  ø15x13,2 x14			C3  Z35PR x3
A1  ø7x50 x2	F2  x12	I7  ø18 x14	B1  ø8x35 x26	D3  PZ35PR x3	

1

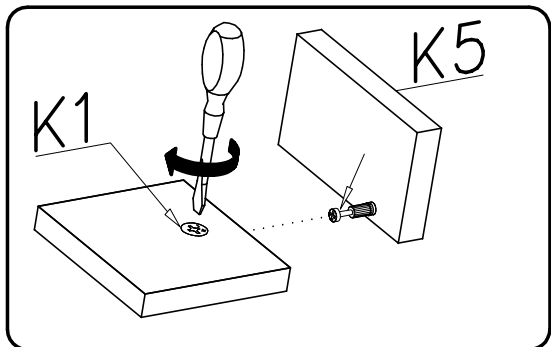


H22

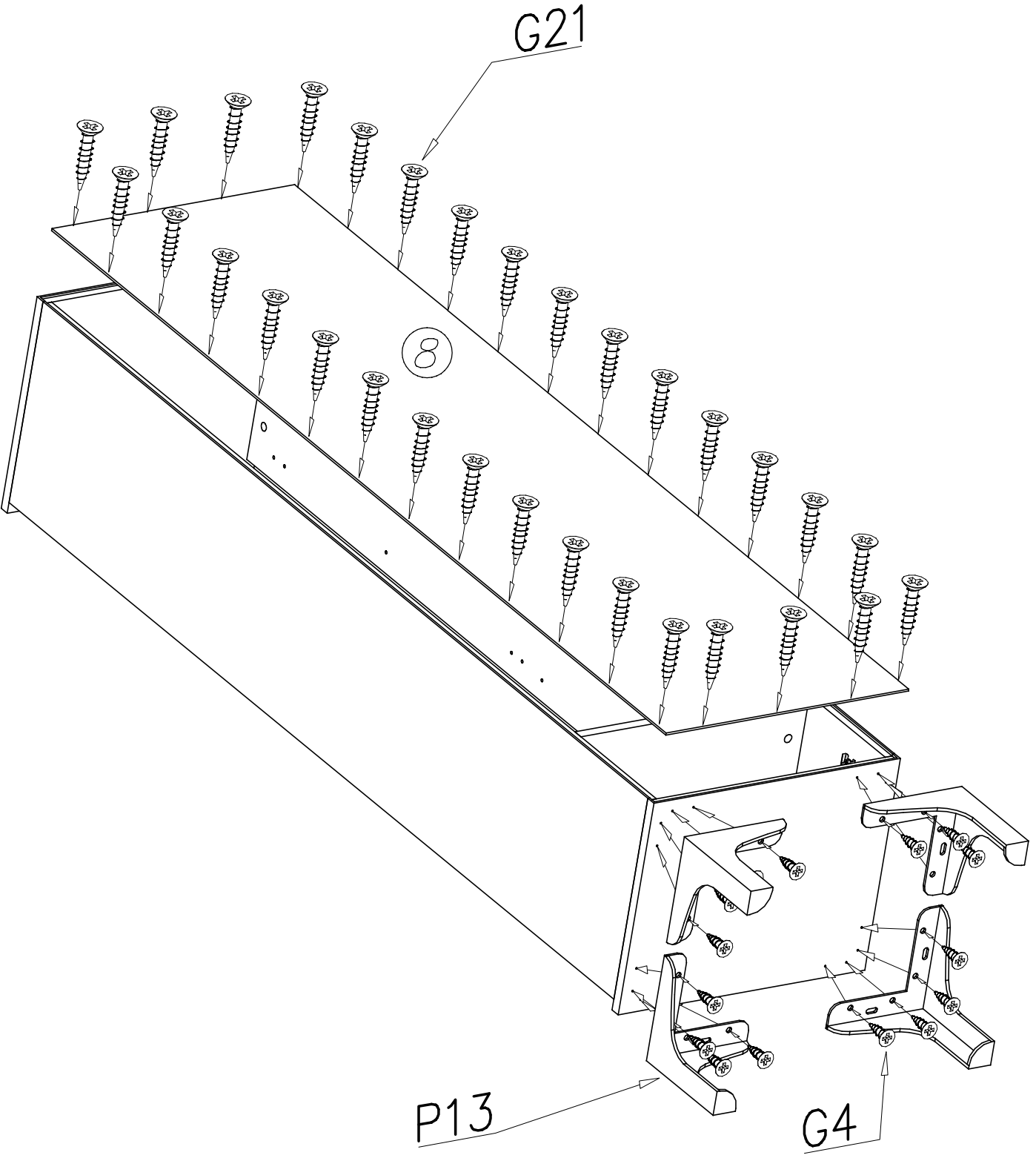
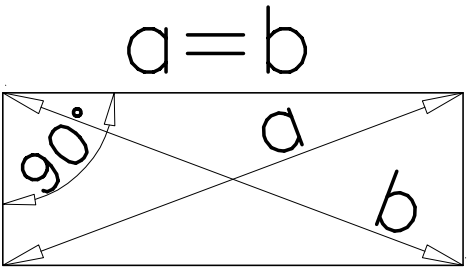
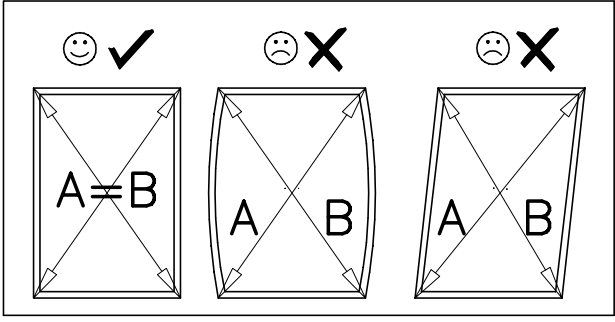
2



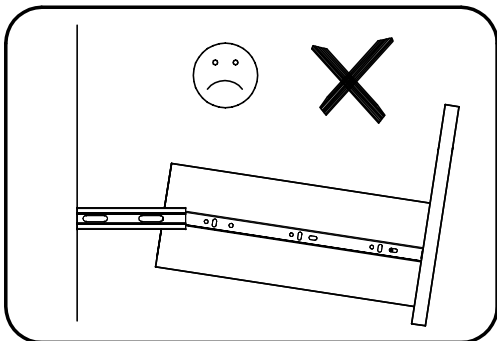
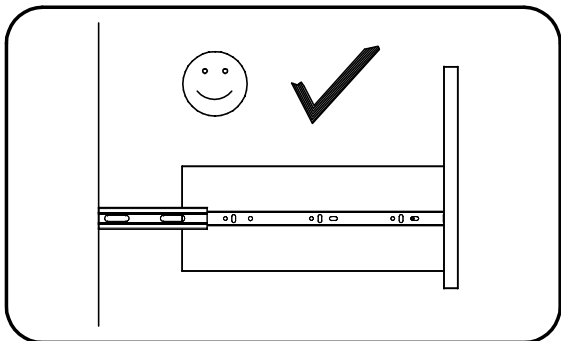
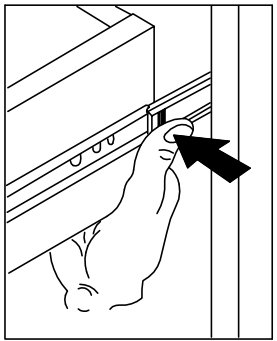
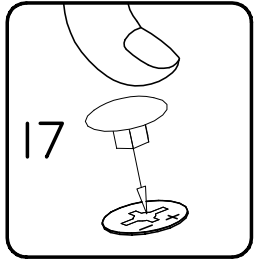
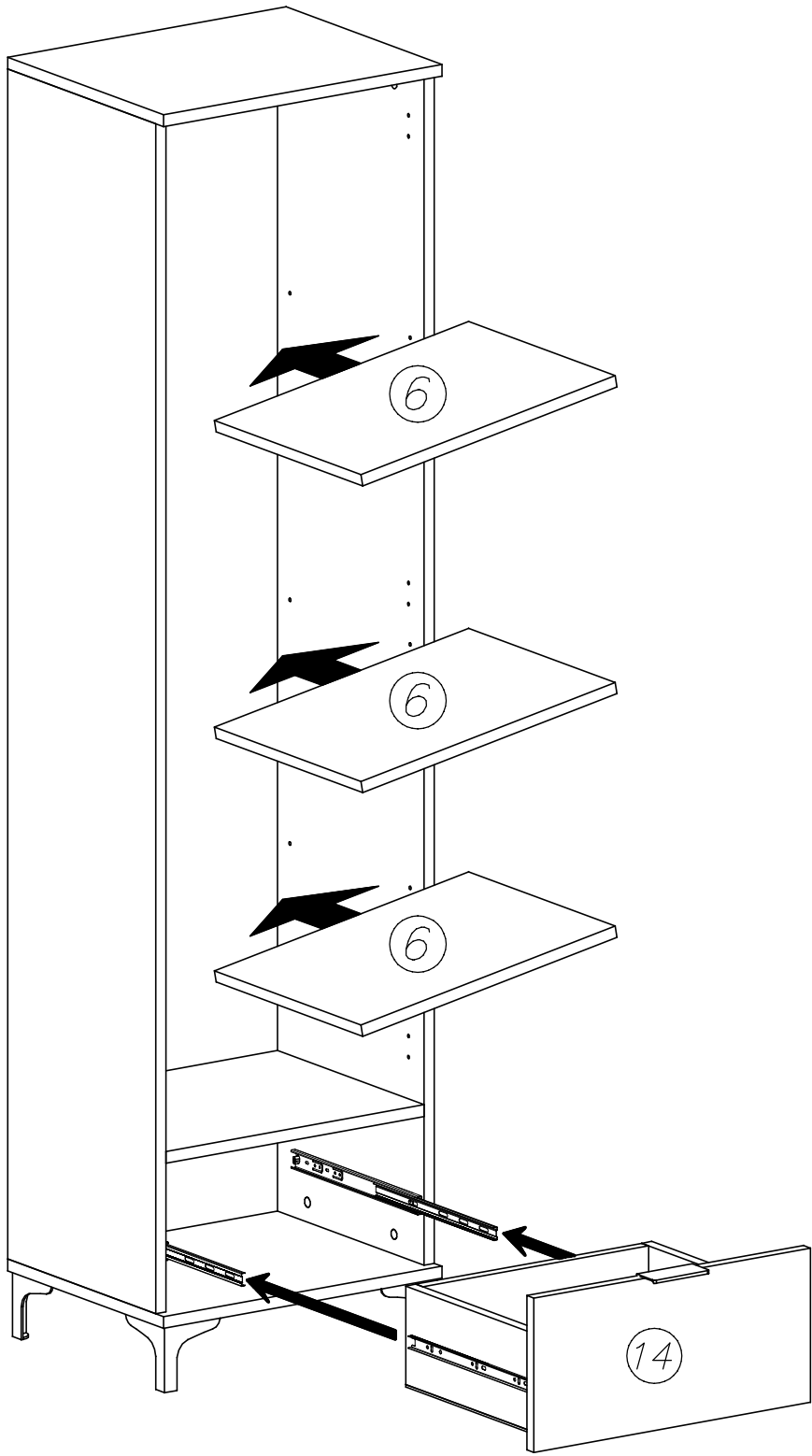
B1



3



4



5

