

max.

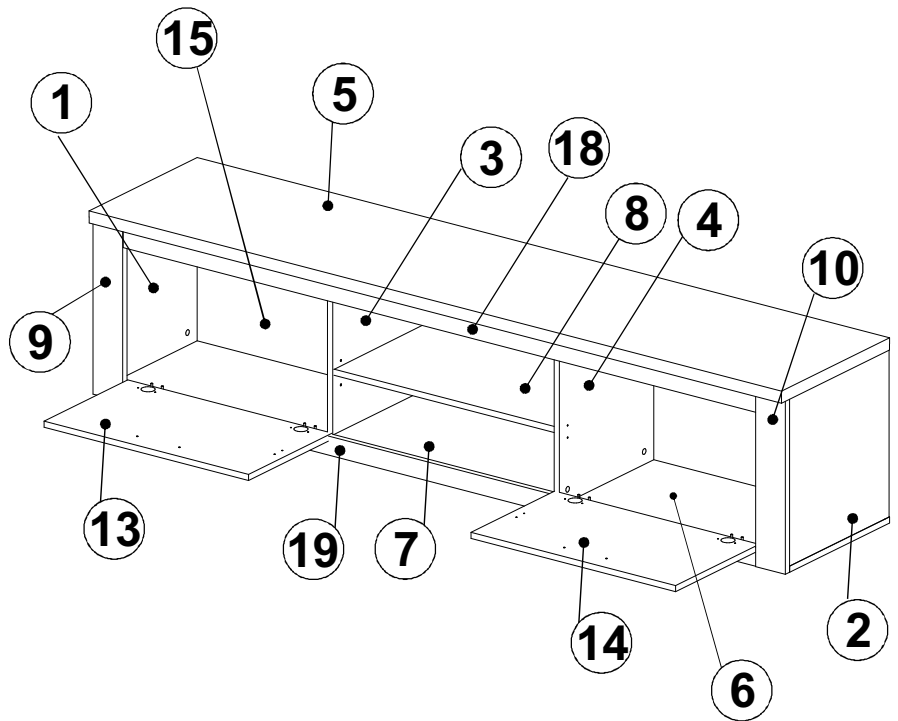


8

max.

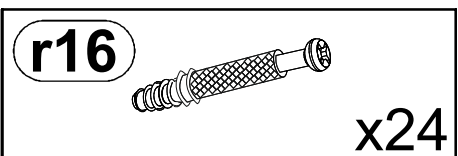
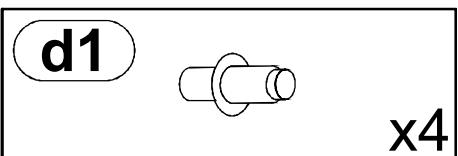
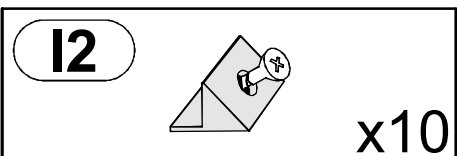
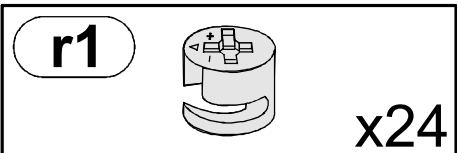
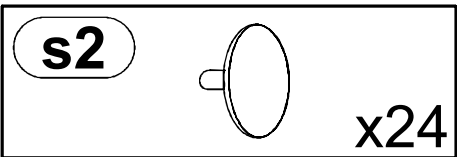
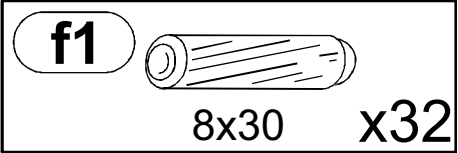
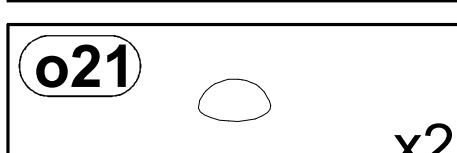
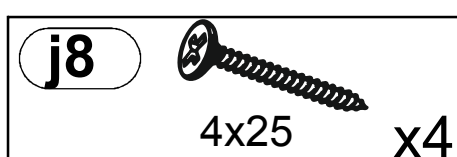
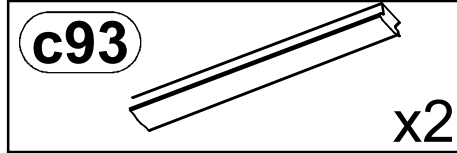
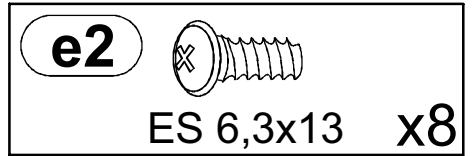
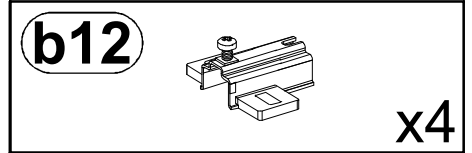
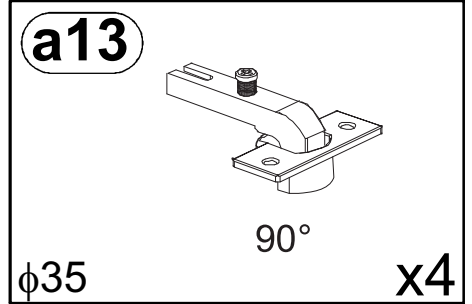


5



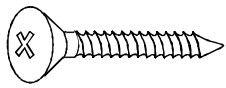
C 1/1

- | | | | | | | | |
|---|----|----|----|----|----|----|---|
| 1 | 2 | 3 | 4 | 5 | 6 | 7 | 8 |
| 9 | 10 | 13 | 14 | 15 | 18 | 19 | |

B12**B13****B14**

B15

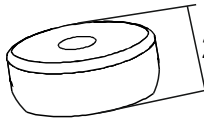
p42



4x25

x6

k25

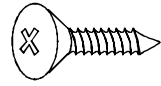


25mm

x6

B16

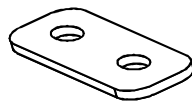
p1



3,5x13

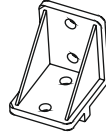
x44

n5



x4

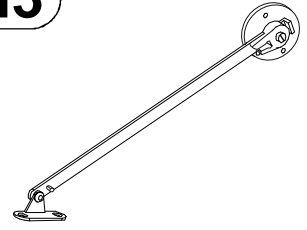
n50



x4

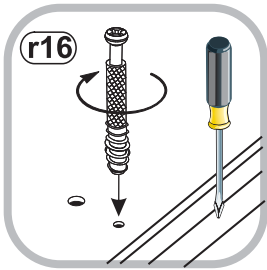
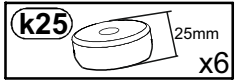
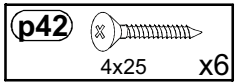
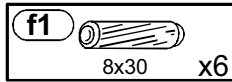
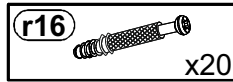
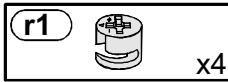
B17

m3

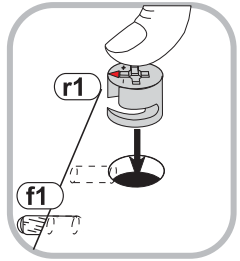
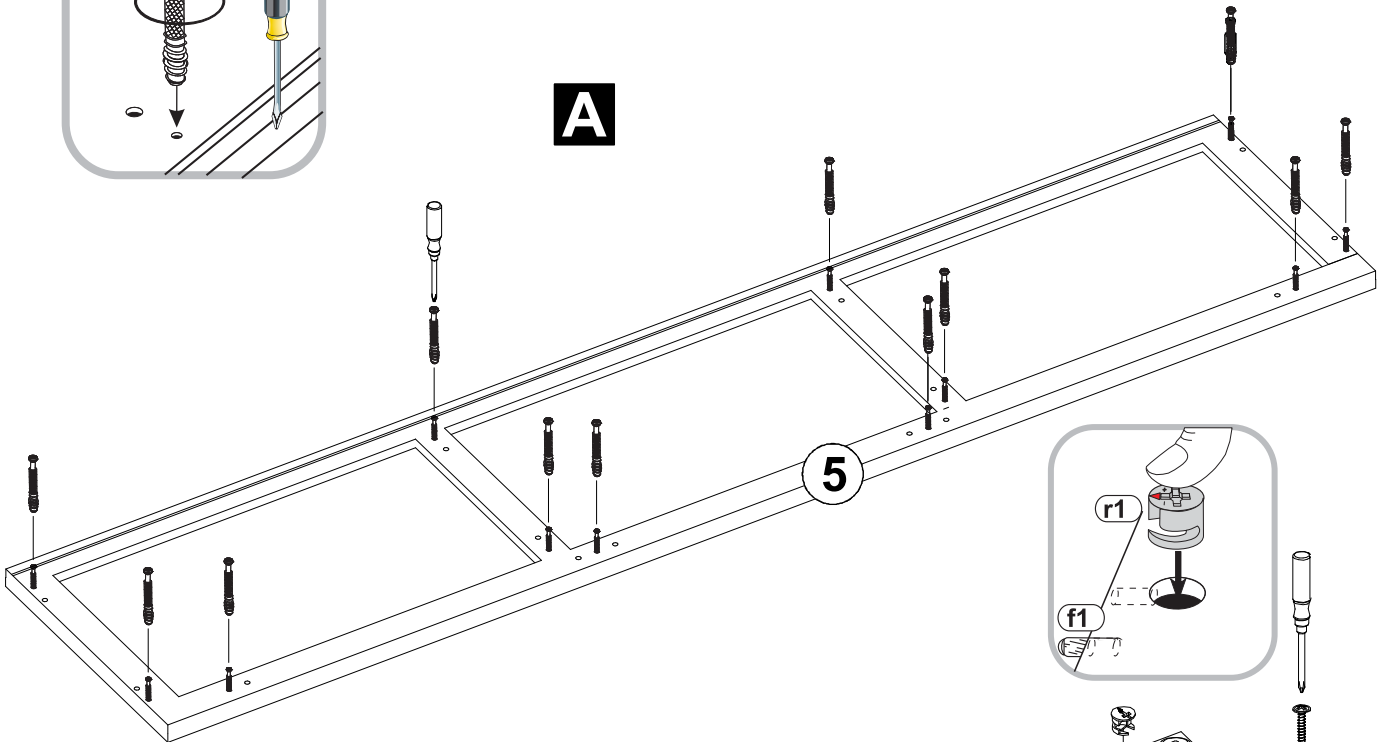


x2

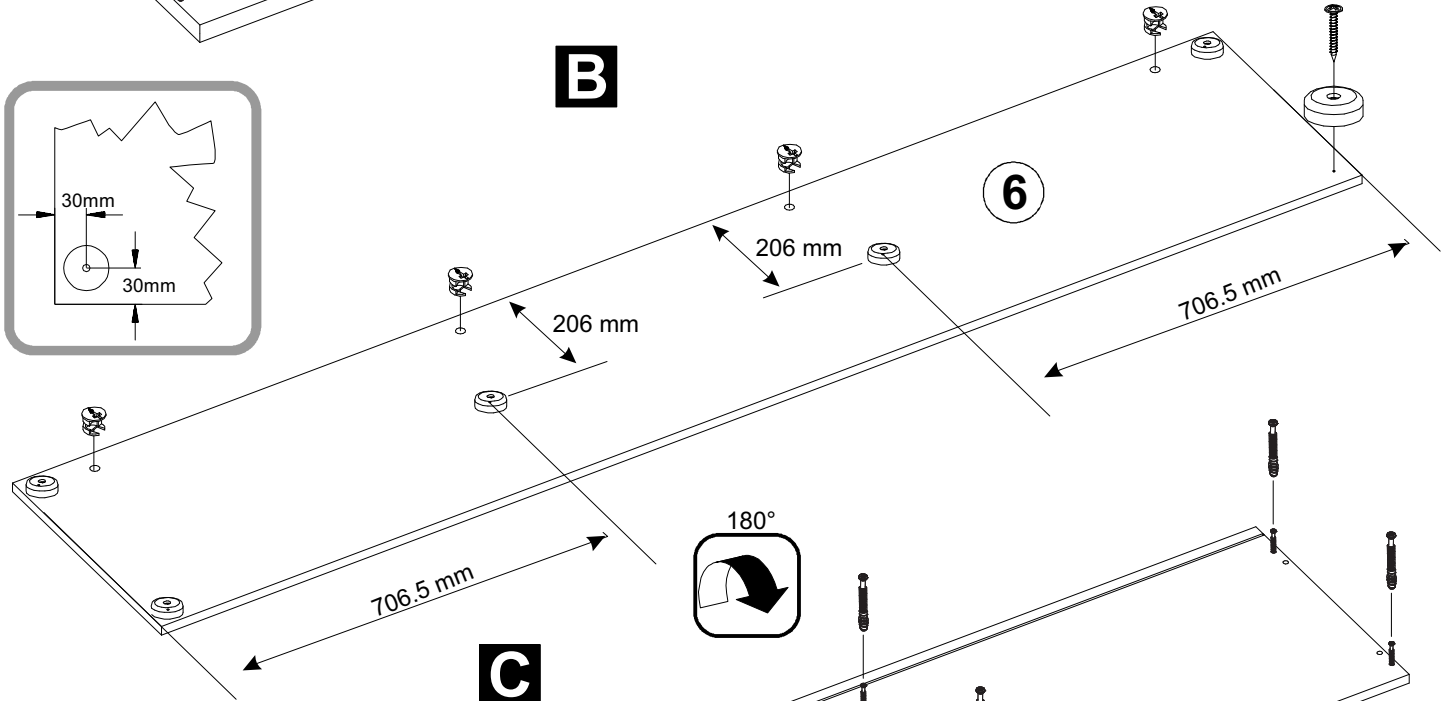
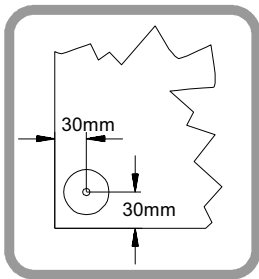
1



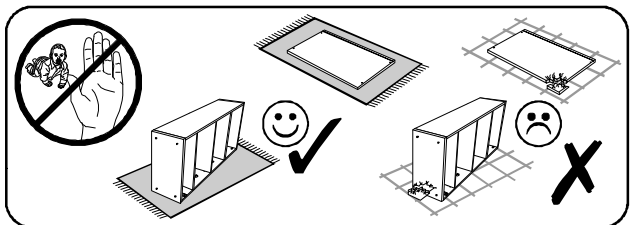
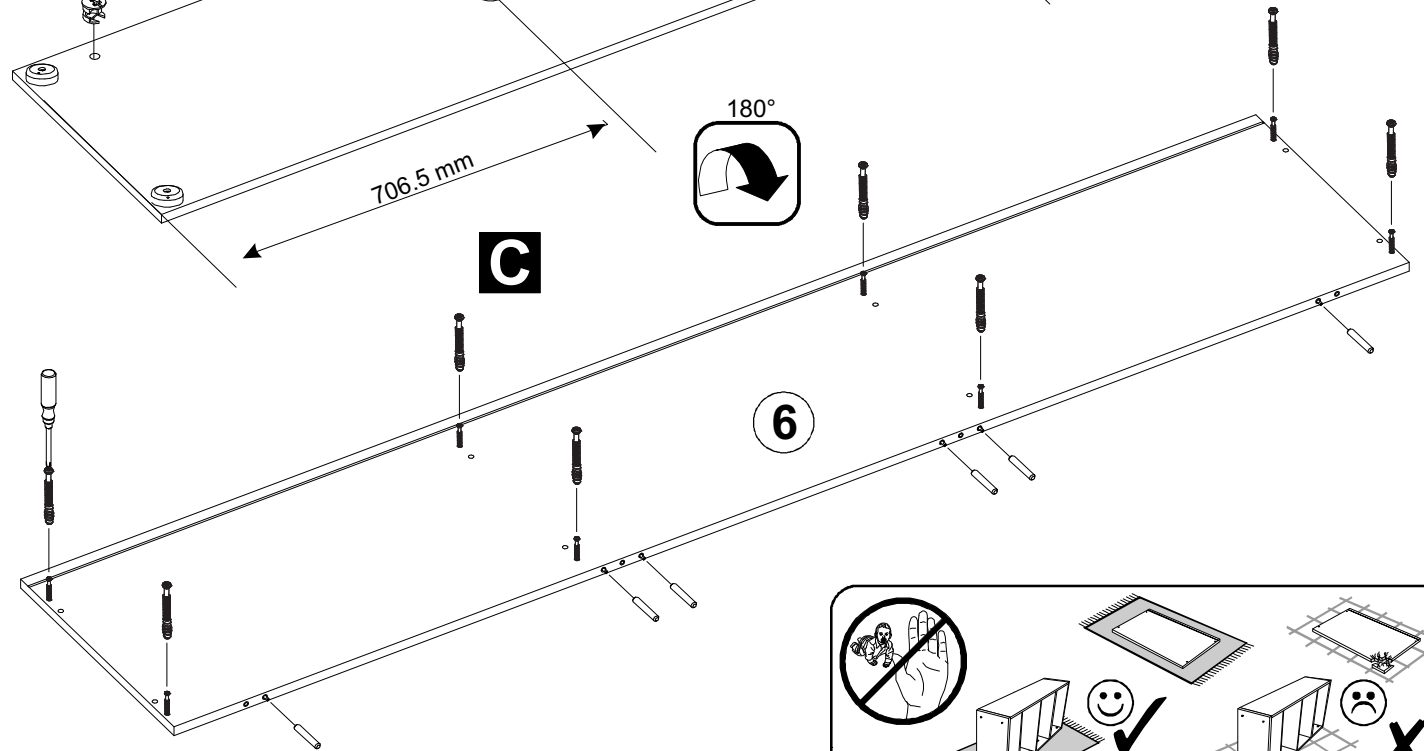
A



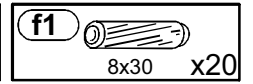
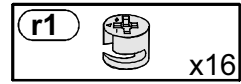
B



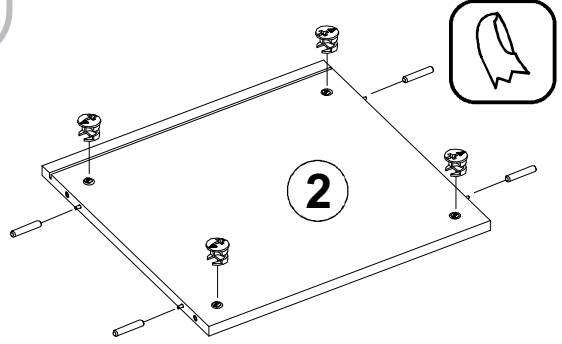
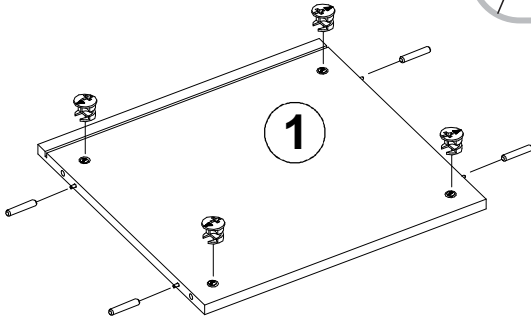
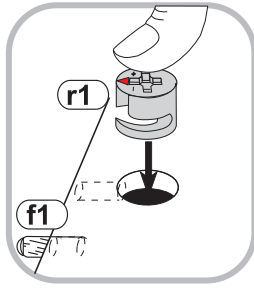
C



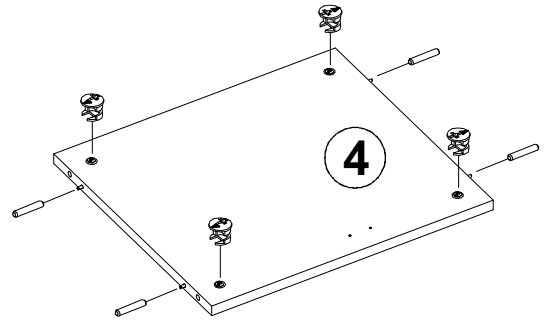
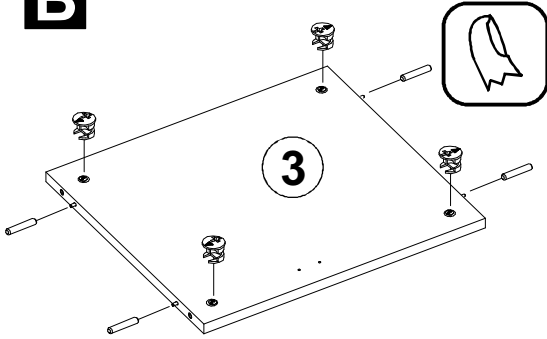
2



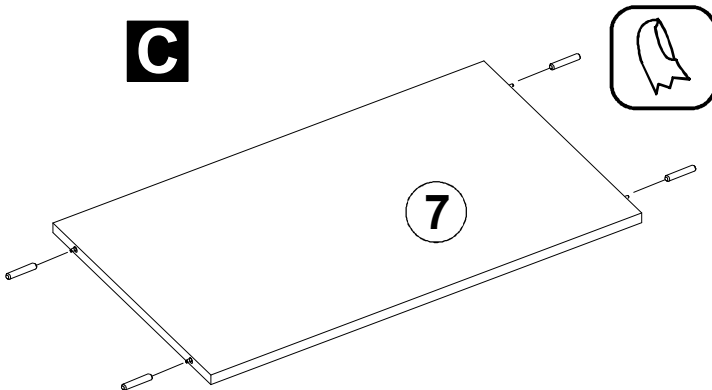
A



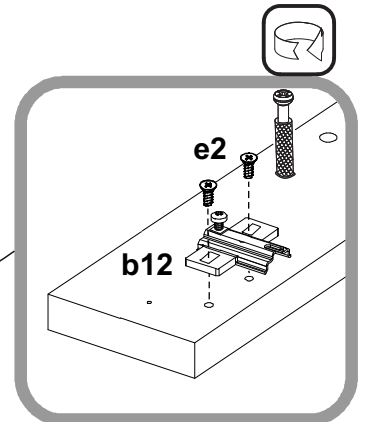
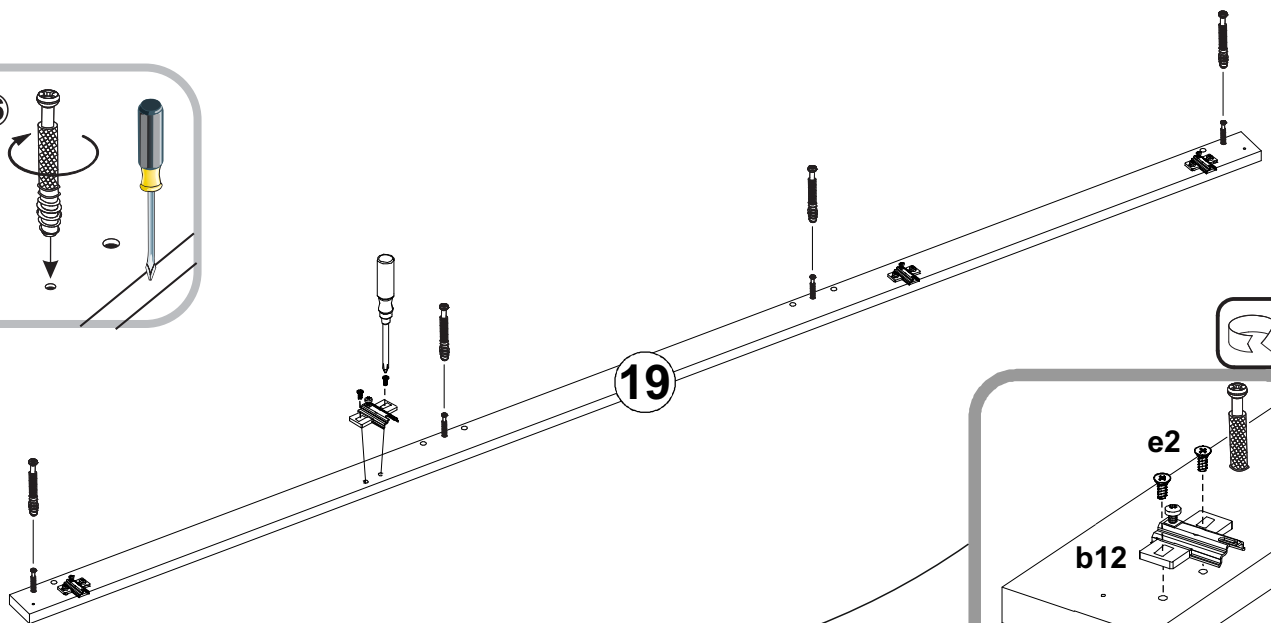
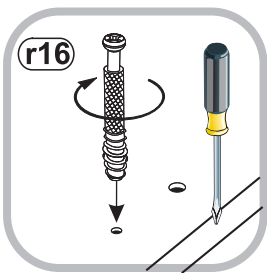
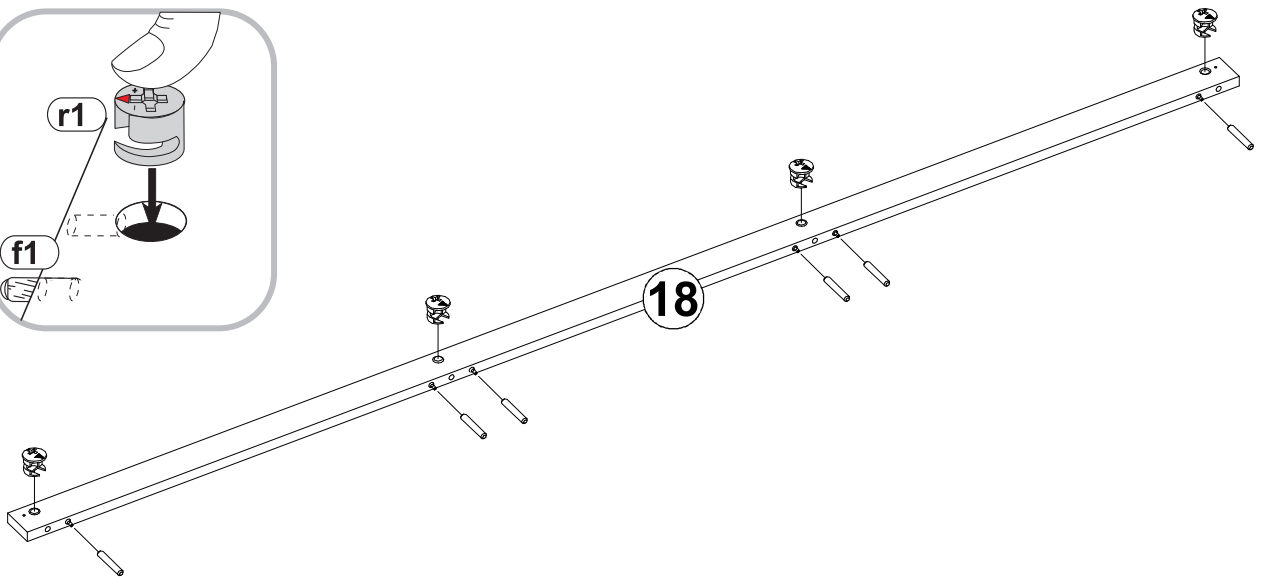
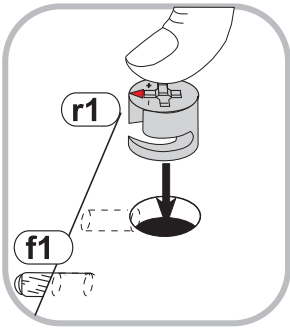
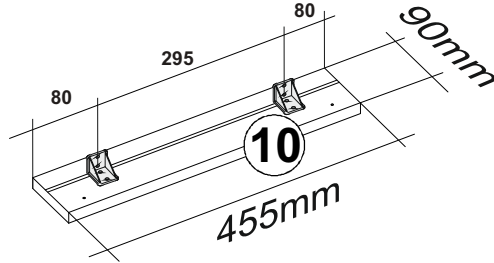
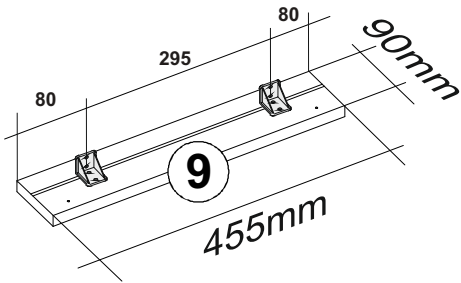
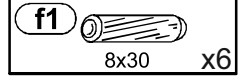
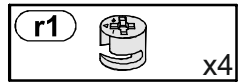
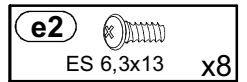
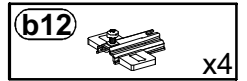
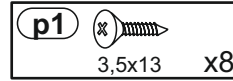
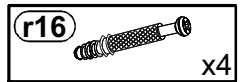
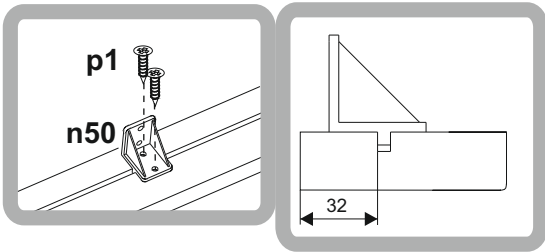
B



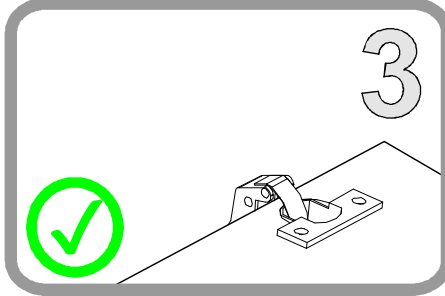
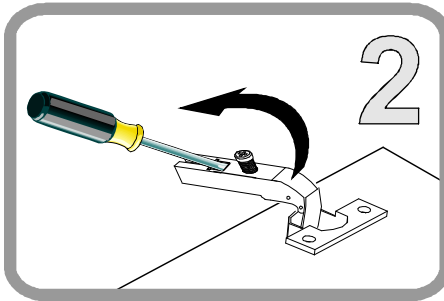
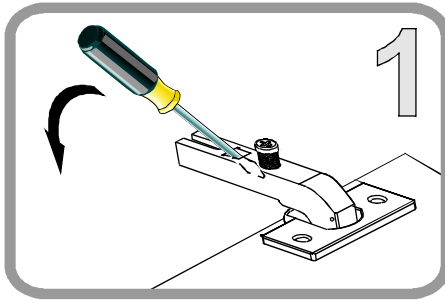
C

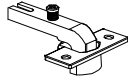
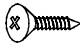
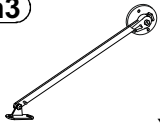



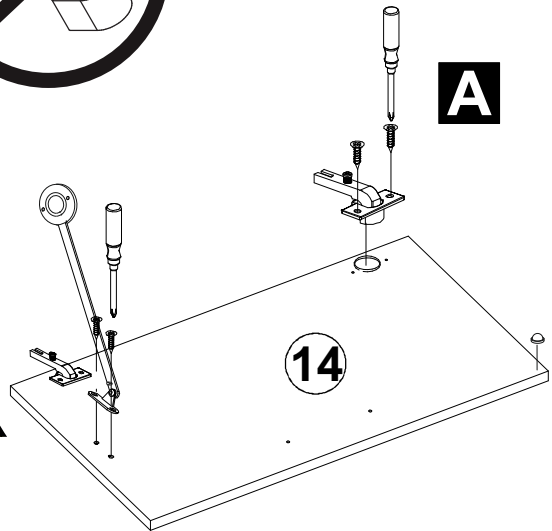
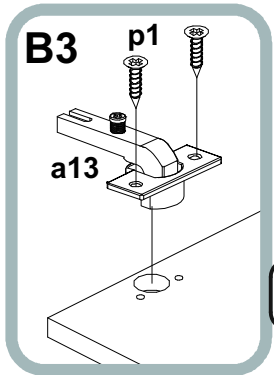
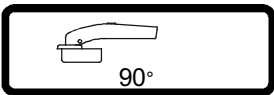
3



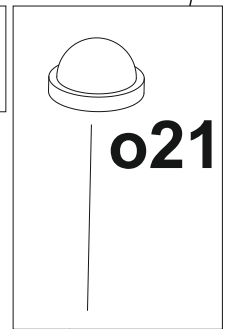
4



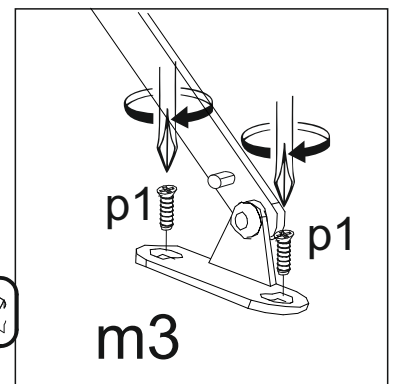
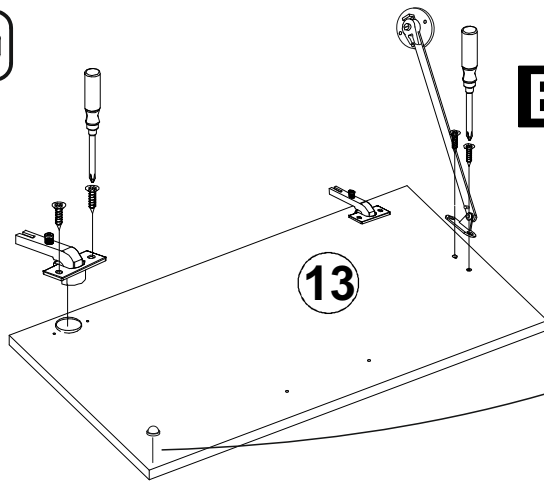
- a13**  $\phi 35$ 90° x4
- p1**  3,5x13 x12
- m3**  x2
- o21**  x2



A

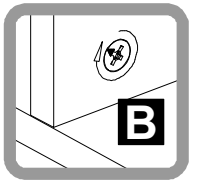
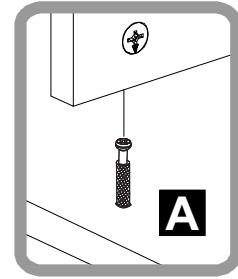
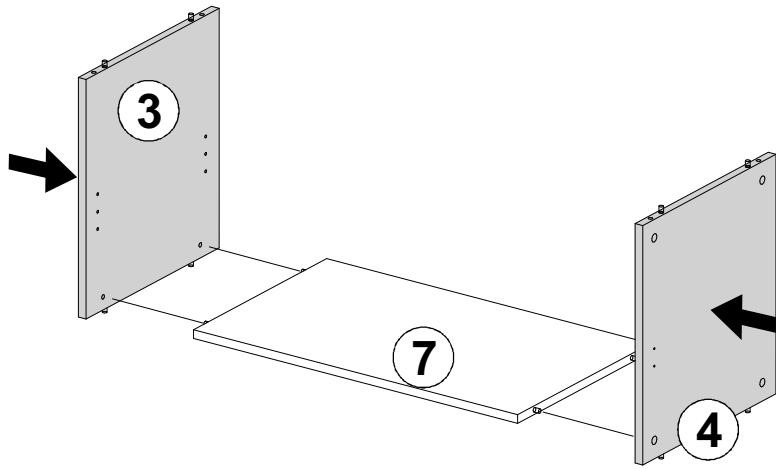


B

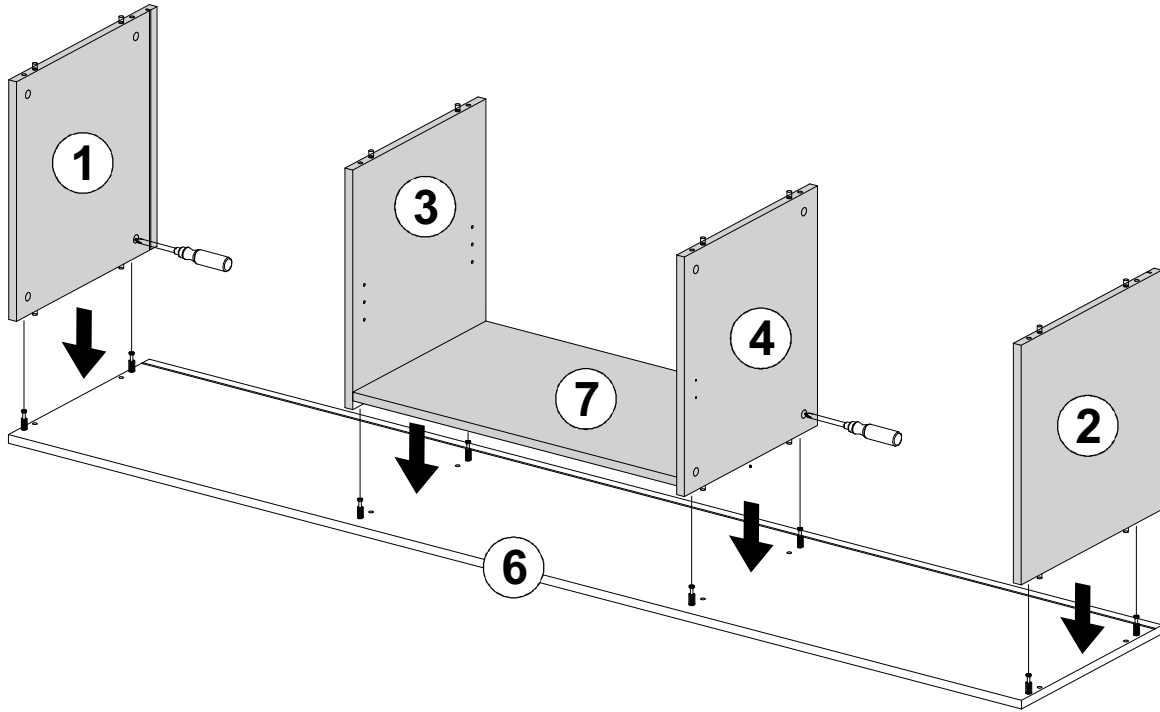


5

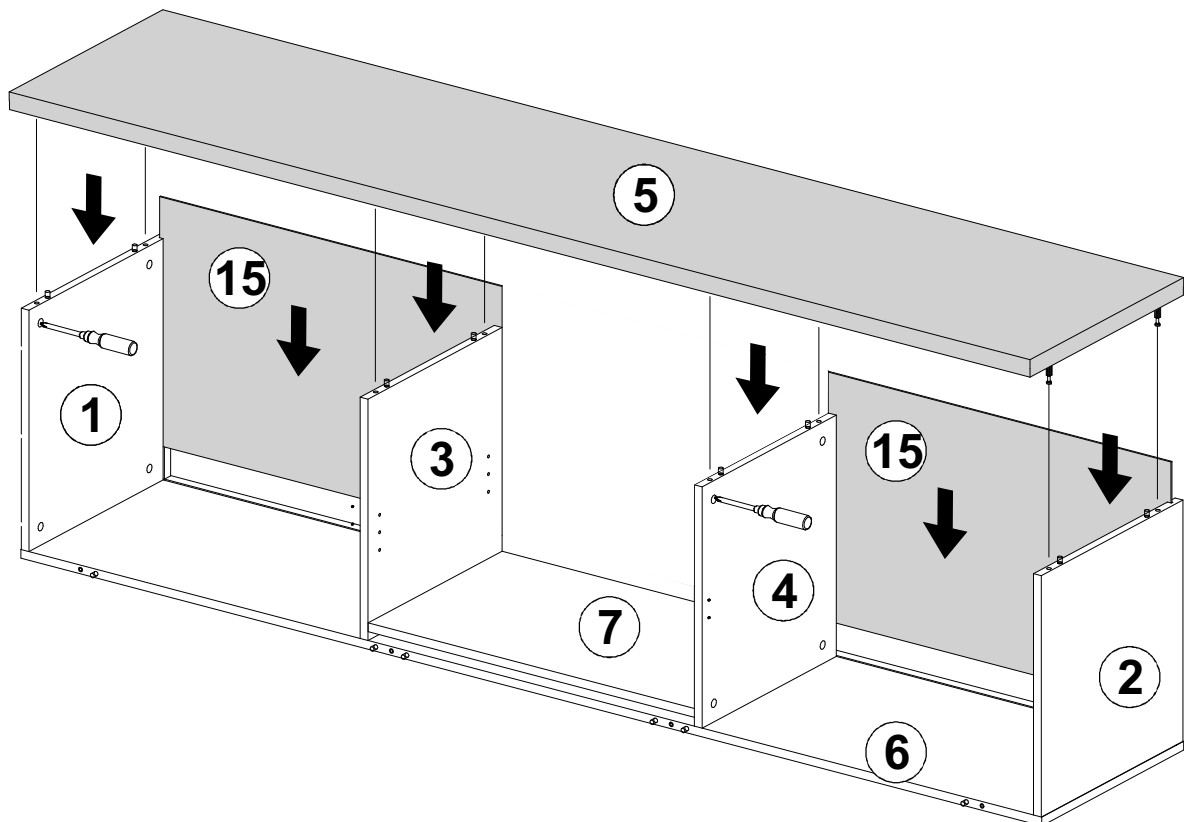
A



B

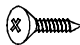


C

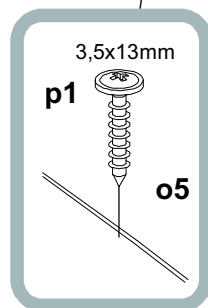
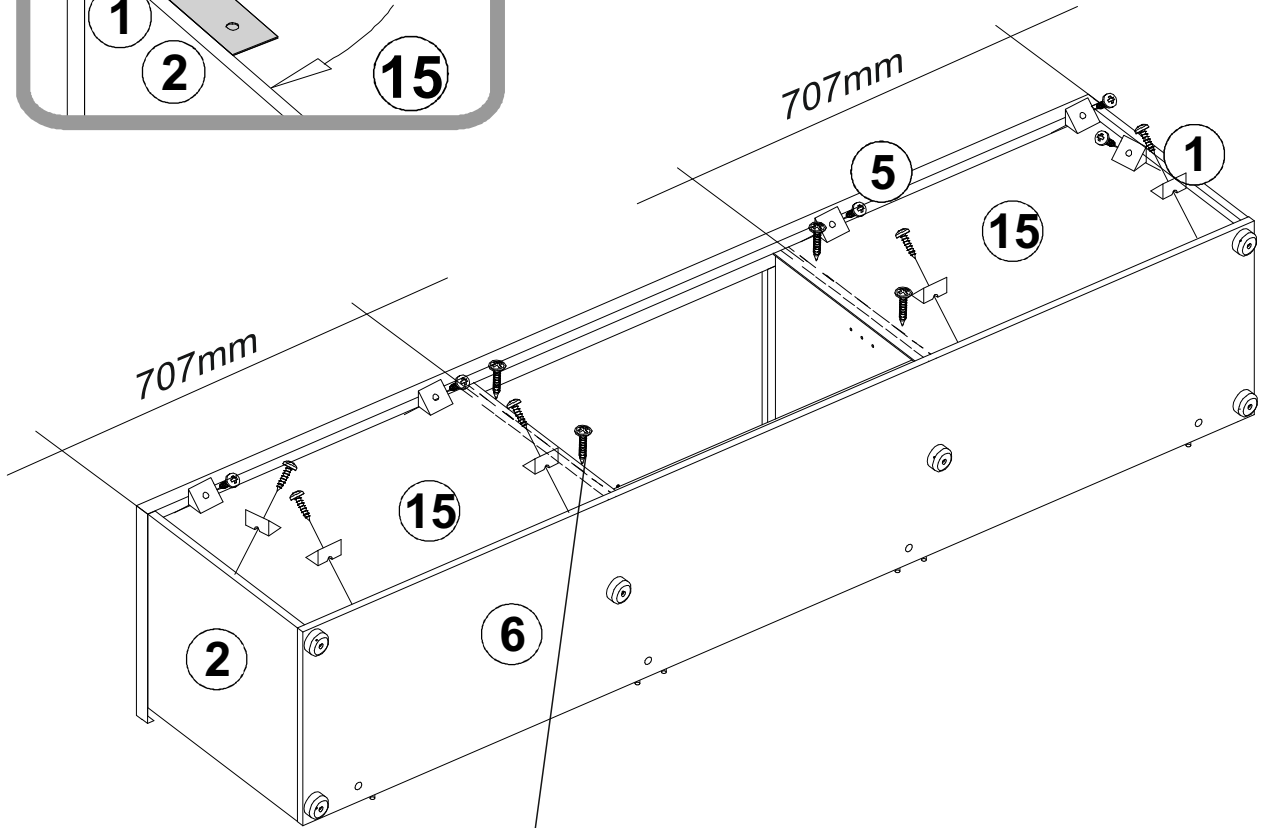
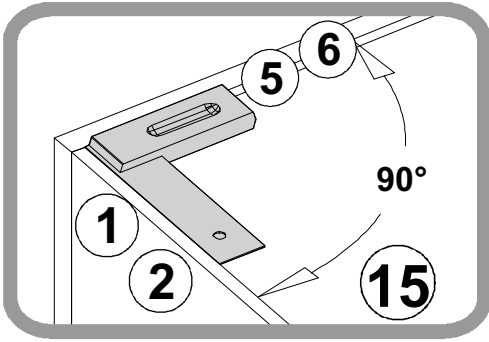


6

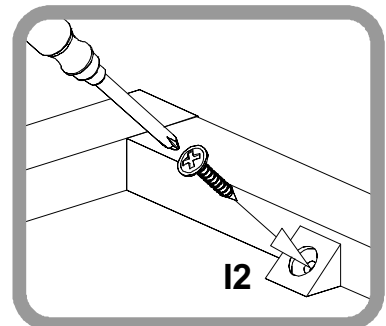
I2  x10

p1  3,5x13 x4


A

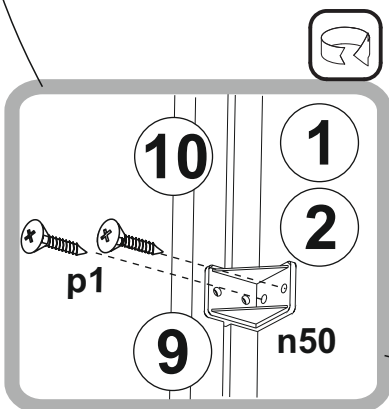
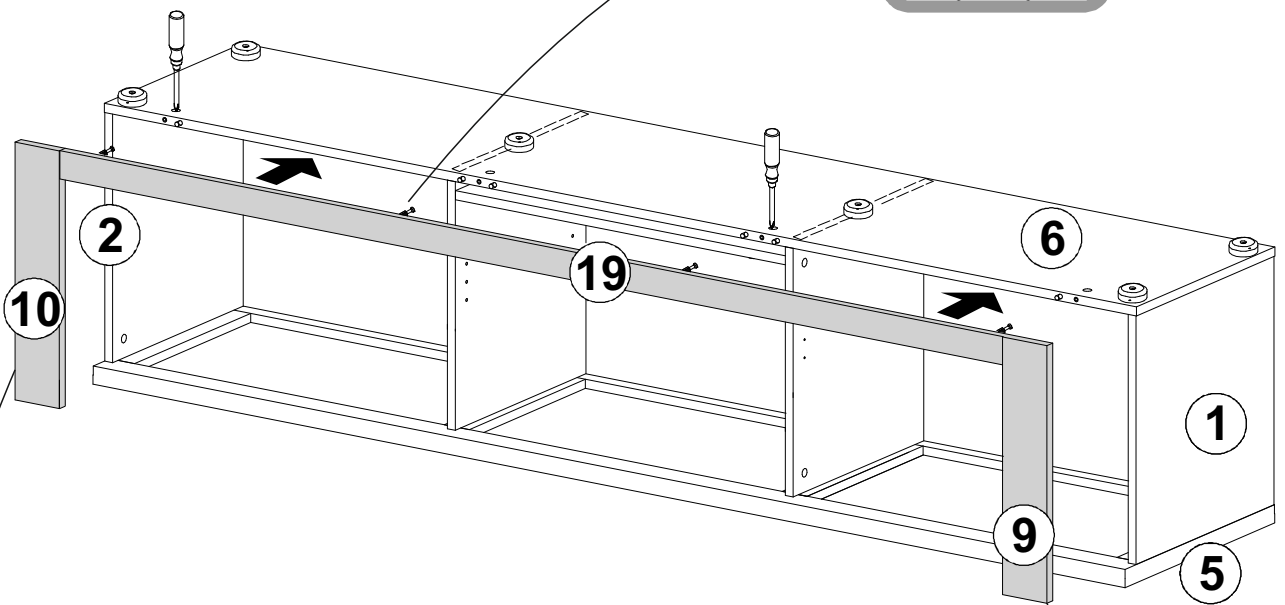
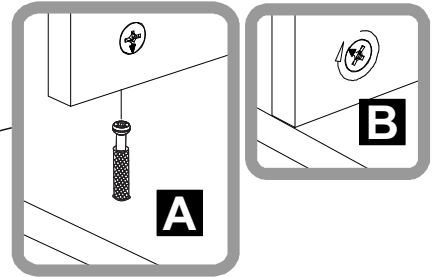


B

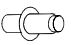


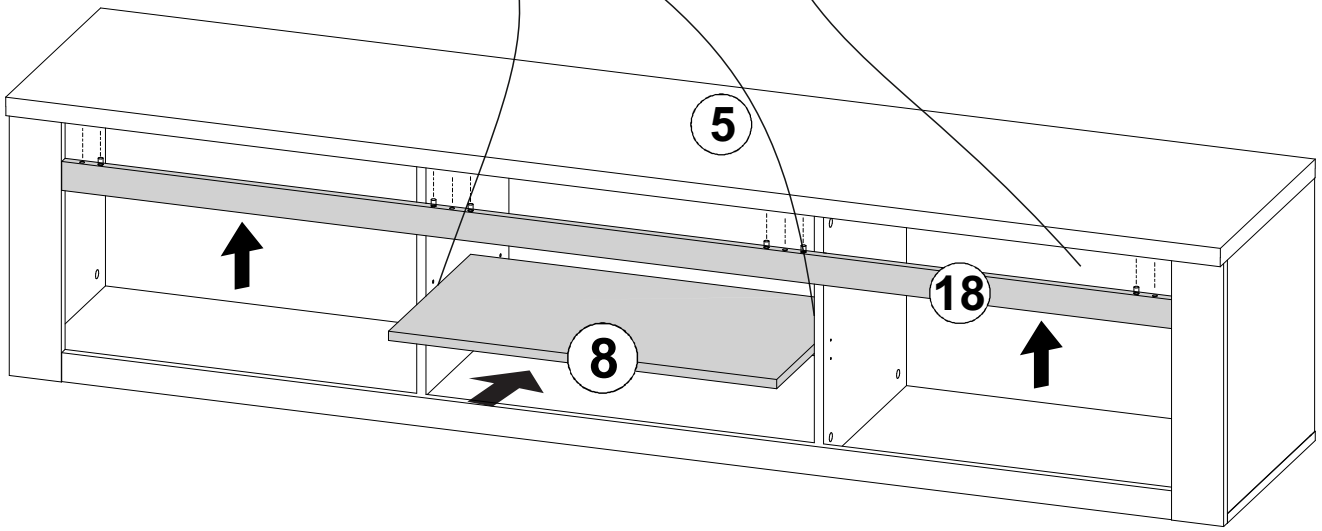
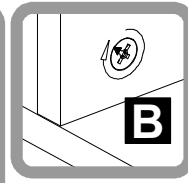
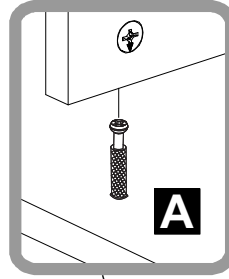
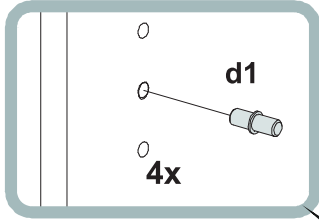
7

p1  3,5x13 x8




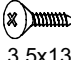
8

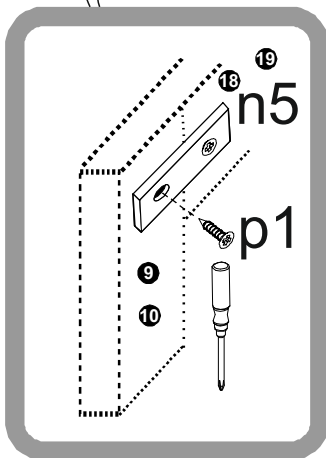
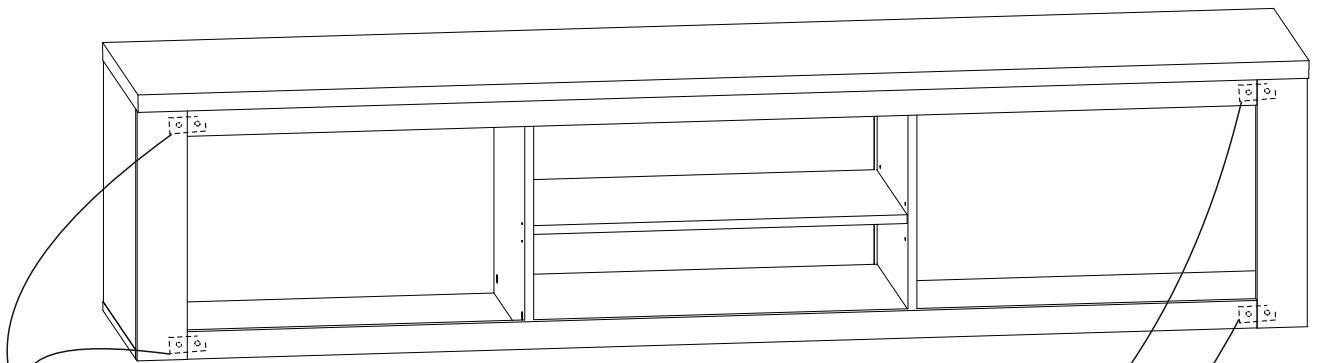
d1  x4



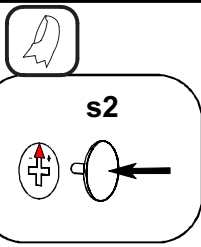
9

n5  x4

p1  3,5x13 x8



10



- c93** x2
- j8** 4x25 x4
- s2** x24
- p1** 3,5x13 x4

