

I10		x4
G2		x24
C4		x4
Z350D		x4
M1		x1
G14		x7
G20		x24
F2		x12
C3		x4
D4		x8

W4		x156
----	--	------

P24		x6
-----	--	----

B1		x166
ø8x30		

H9		x4
500mm		

G20		x24
5x13		

W2		x1
4mm		

K5		x94
----	--	-----

K1		x94
ø15x12		

500mm		
-------	--	--

F2		x12
----	--	-----

A1		x40
ø7x50		

G4		x32
4x16		

G6		x2
3x12		

S4		x2
----	--	----

C3		x4
Z35PR		

P7		x18
----	--	-----

G16		x18
4x27		



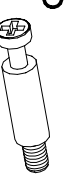
E34		x9
-----	--	----

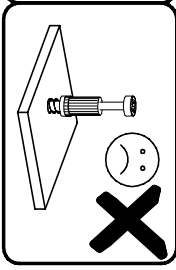
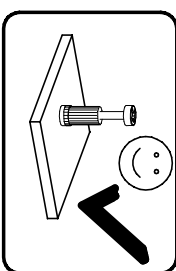
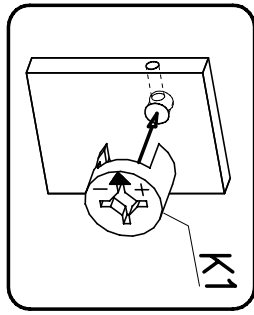
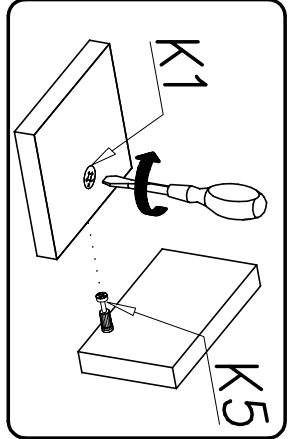
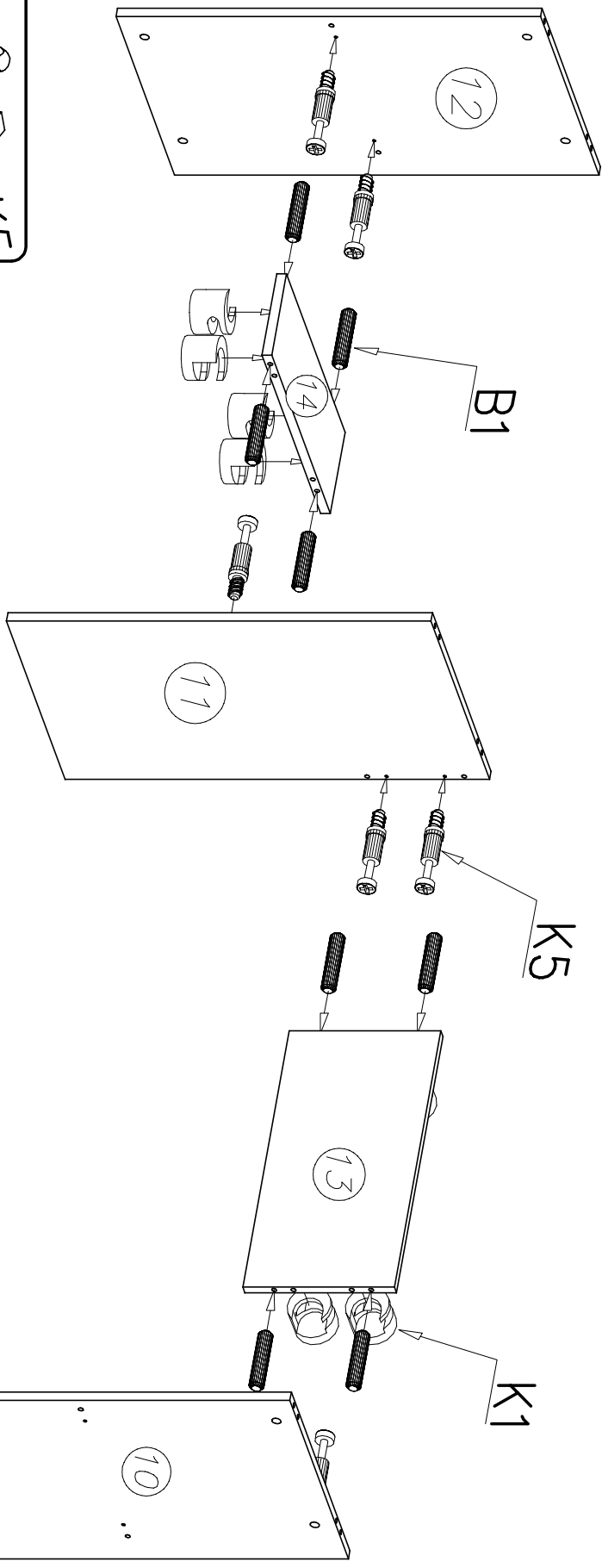
S5		x1
----	--	----

D4		x8
----	--	----

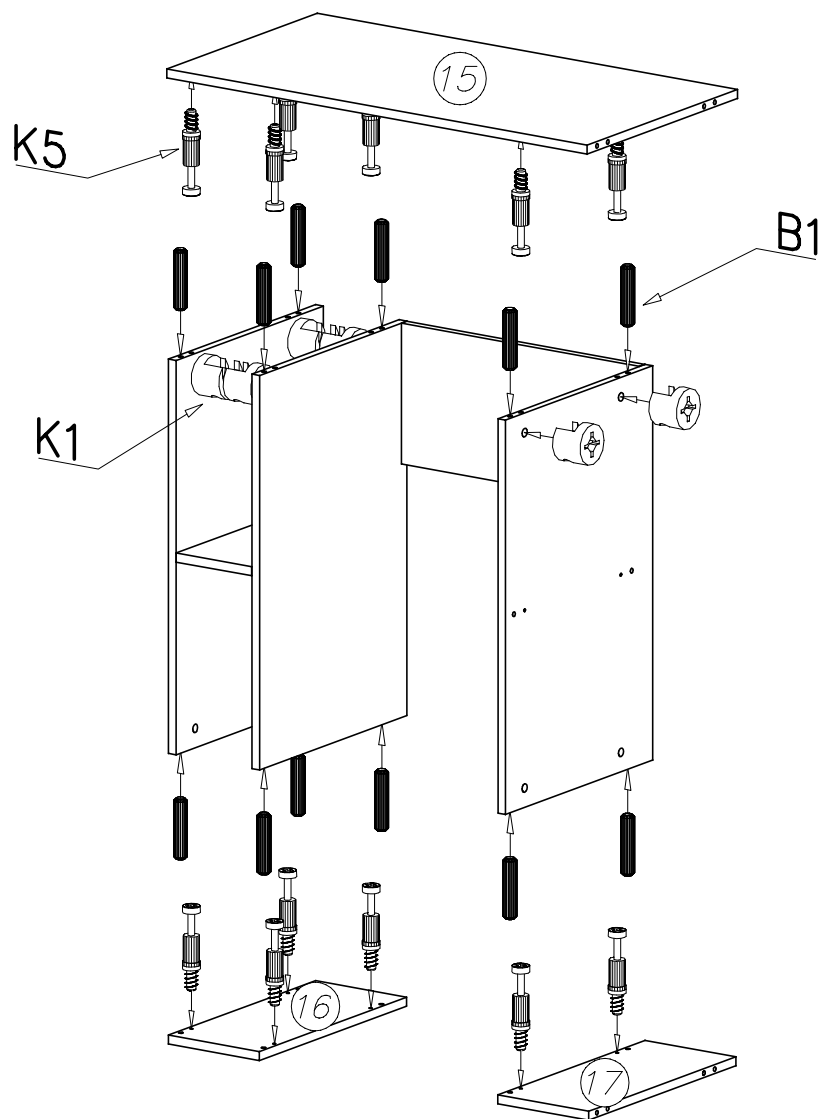
nr	L[mm]	B[mm]	T[mm]	Ilość	Paczka
1	880	450	16	1	4/7
2	880	218	16	2	4/7
3	900	450	16	1	4/7
4	680	234	16	2	4/7
5	700	450	16	1	4/7
6	480	234	16	2	4/7
7	500	450	16	1	4/7
8	743	446	3	1	5/7
9	1231	900	16	1	2/7
10	700	440	16	1	1/7
11	700	440	16	1	1/7
12	700	440	16	1	1/7
13	498	250	16	1	1/7
14	158	440	16	1	1/7
15	880	450	16	1	1/7
16	190	440	16	1	1/7
17	190	440	16	1	1/7
18	921	496	16	1	6/7
19	174	440	16	1	1/7
20	931	900	16	1	3/7
21	931	900	16	1	3/7
22	281	900	16	4	2/7

nr	L[mm]	B[mm]	T[mm]	Ilość	Paczka
23	931	900	16	1	3/7
24	931	900	16	1	3/7
25	281	70	16	2	2/7
26	418	130	16	2	2/7
27	467	300	16	1	4/7
28	467	300	16	1	4/7
29	467	900	16	1	2/7
30	931	900	16	1	3/7
31	2000	900	16	1	5/7
32	2014	930	16	1	5/7
33	1231	900	16	1	2/7
34	500	283	16	1	1/7
35	2017	300	16	1	5/7
36	2017	300	16	1	5/7
37	445	228	16	4	7/7
38	500	180	16	4	5/7
39	500	180	16	4	5/7
40	361	180	16	4	1/7
41	392	505	3	4	5/7
42	921	496	16	1	6/7
43	446	480	16	1	1/7
44	281	900	16	2	2/7
45	445	228	16	1	7/7
46	445	228	16	2	7/7

B1		x8	K1		x8	K5		x8
	∅8x30			∅15x12				

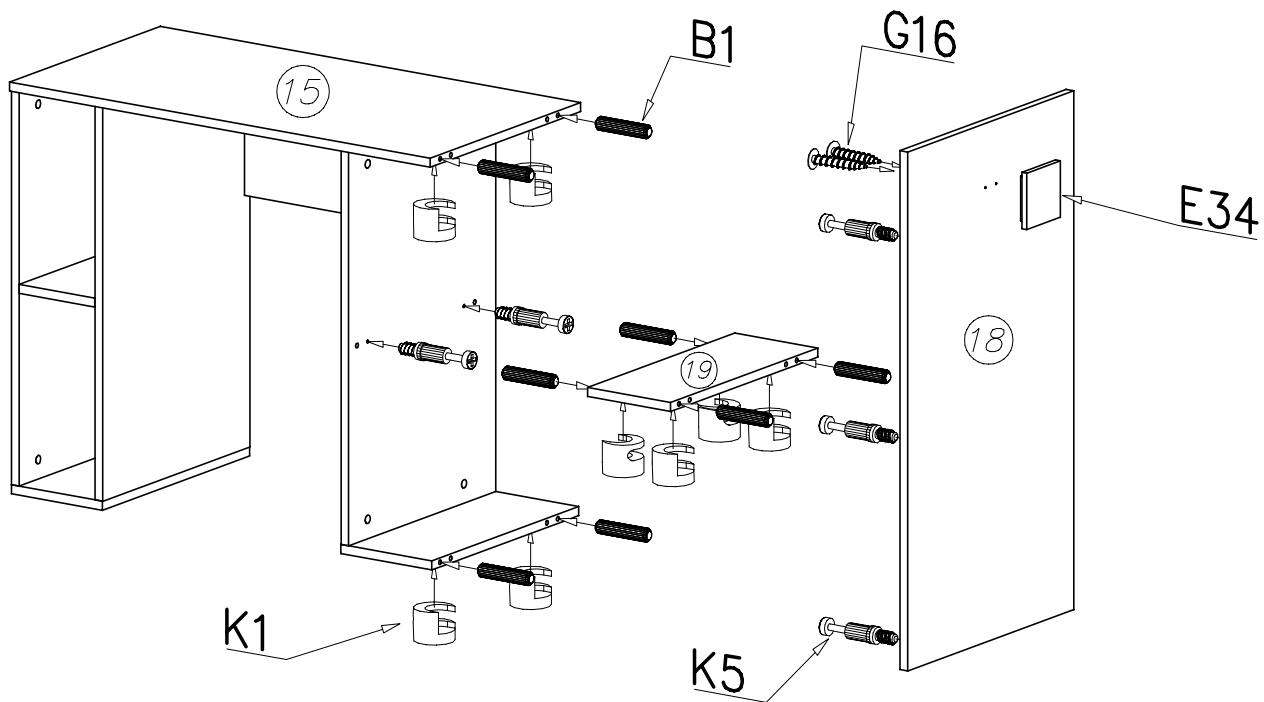


2




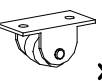
K5		x12
B1		x12
	Ø8x30	
K1		x12
	Ø15x12	

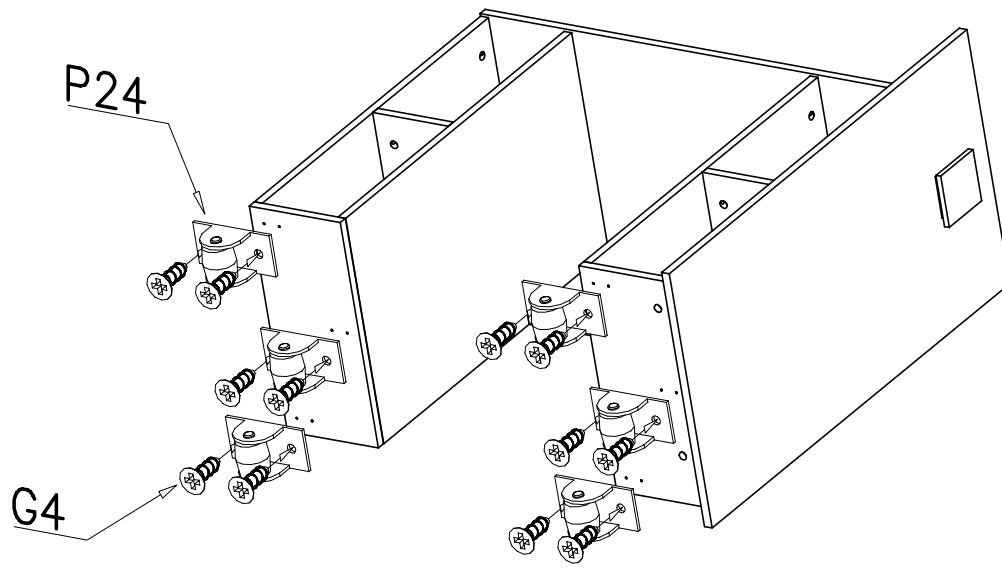
3



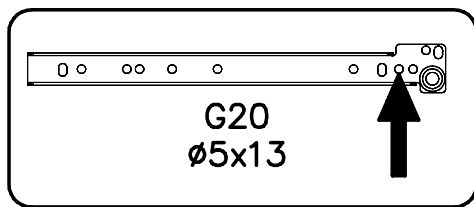
G16		4x27	x2	E34		x1	B1		Ø8x30	x8	K1		Ø15x12	x8	K5		x8
-----	--	------	----	-----	--	----	----	--	-------	----	----	--	--------	----	----	--	----



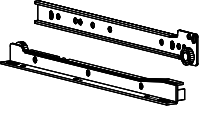

4

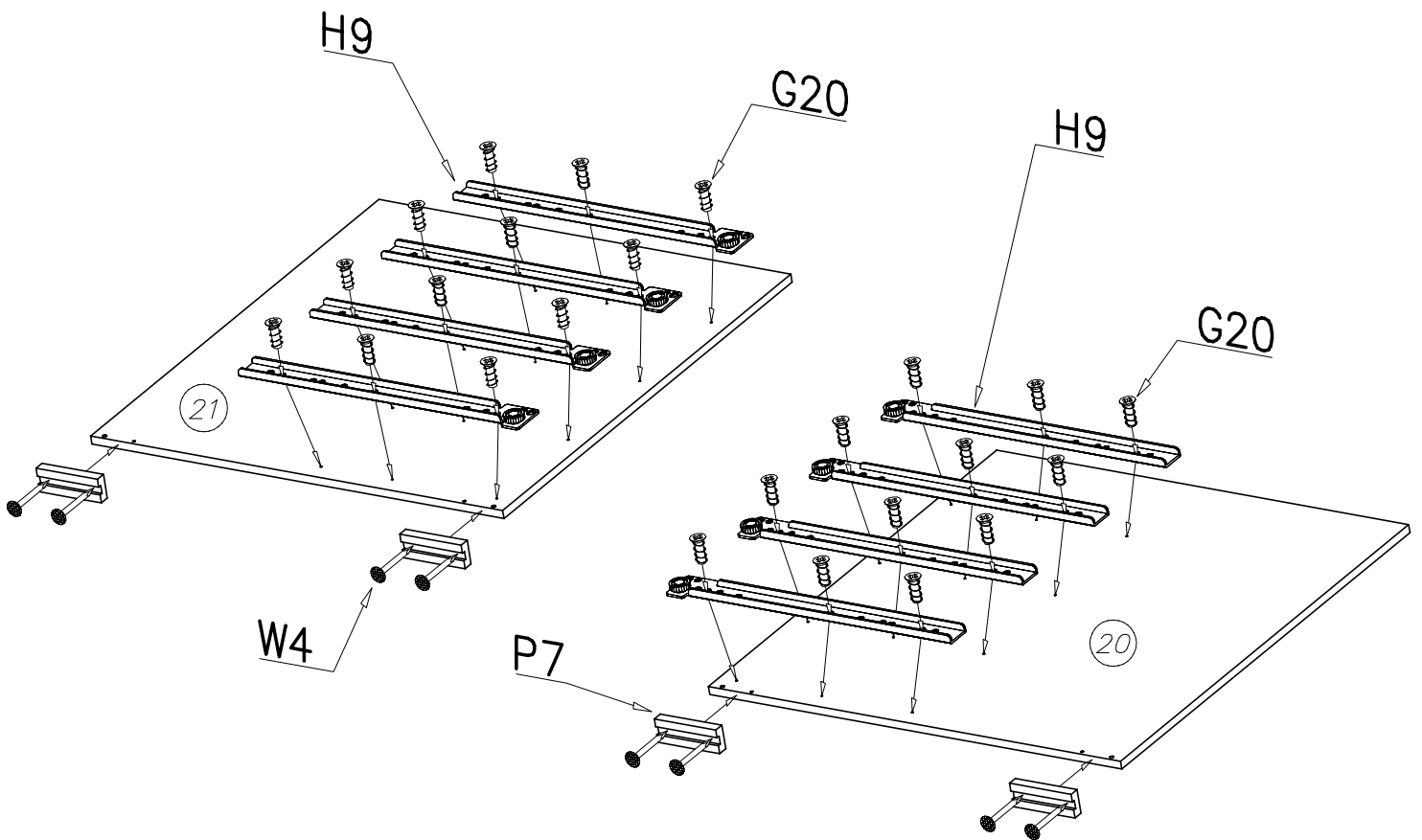
G4		P24	
4x16	x12		x6





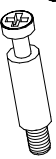


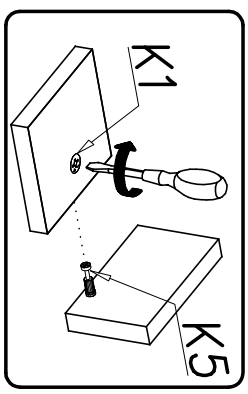
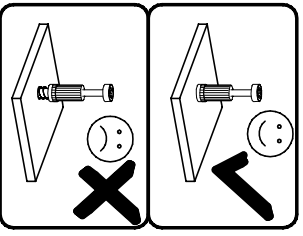
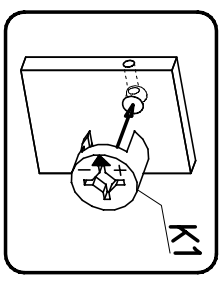
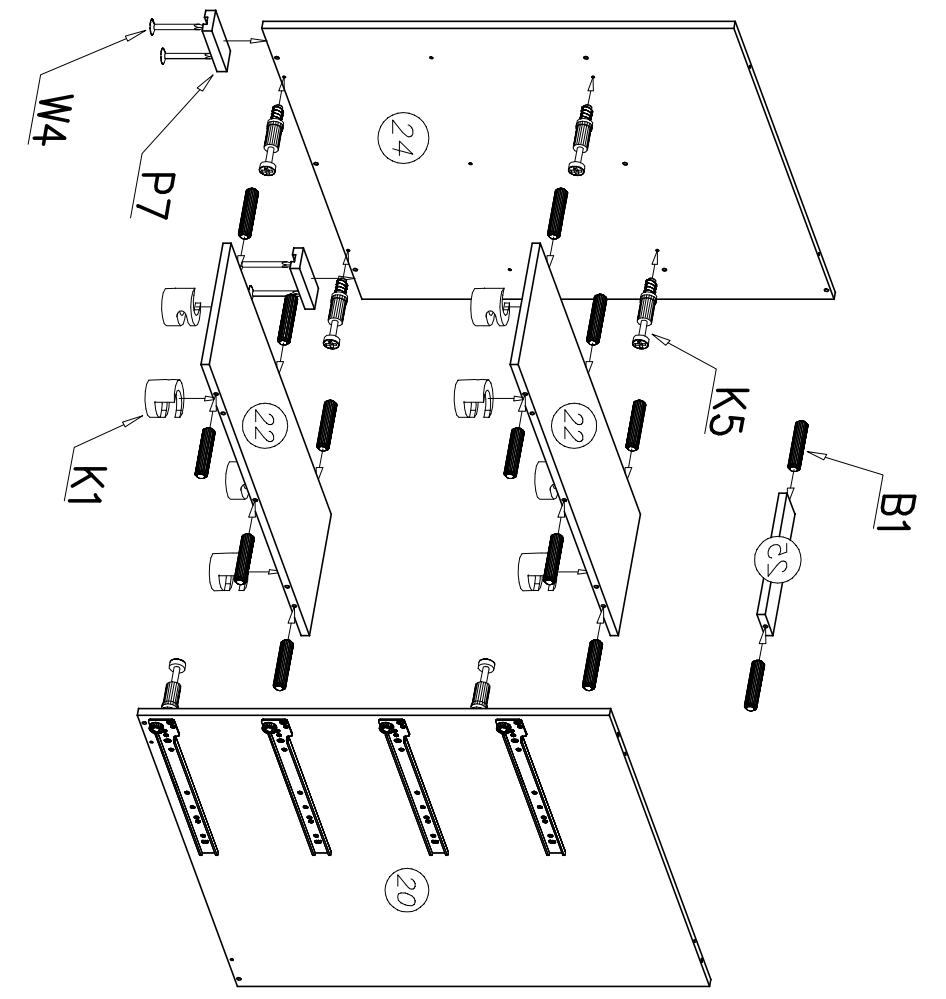
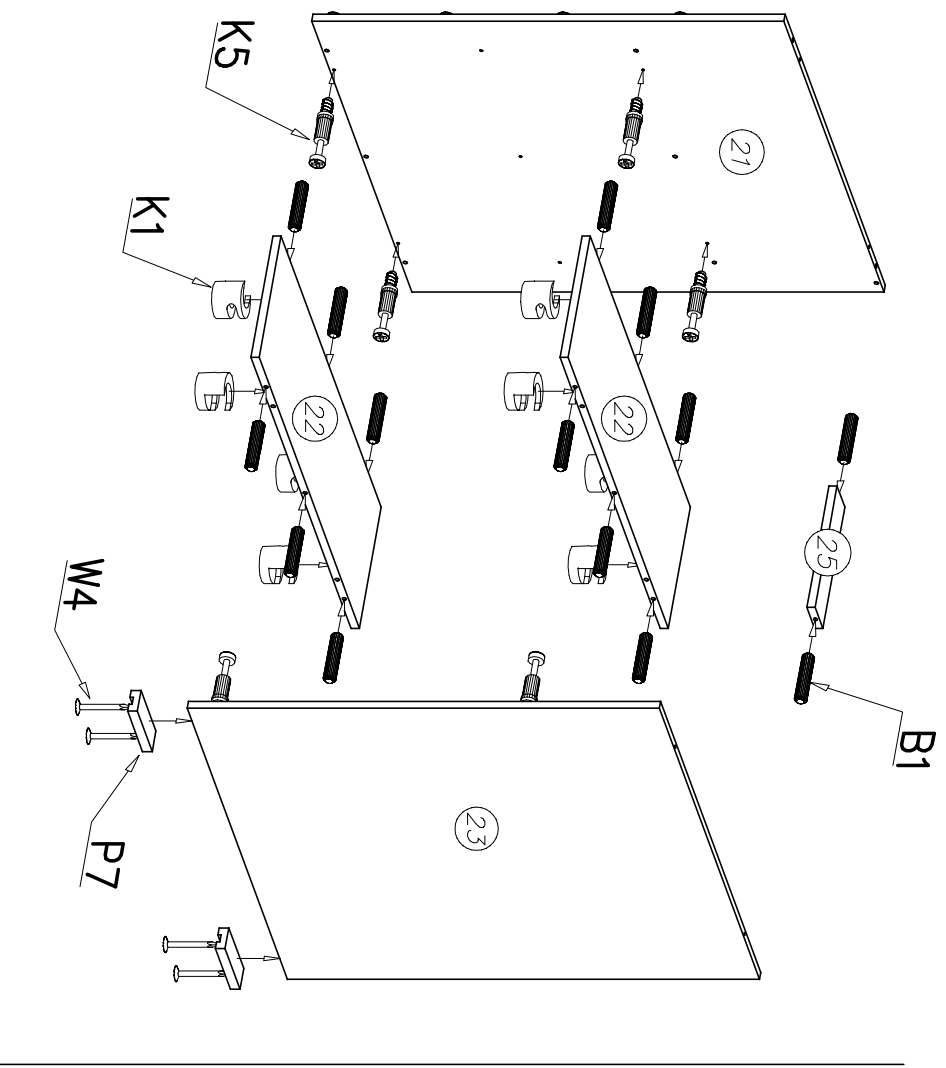
5







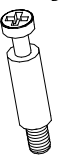


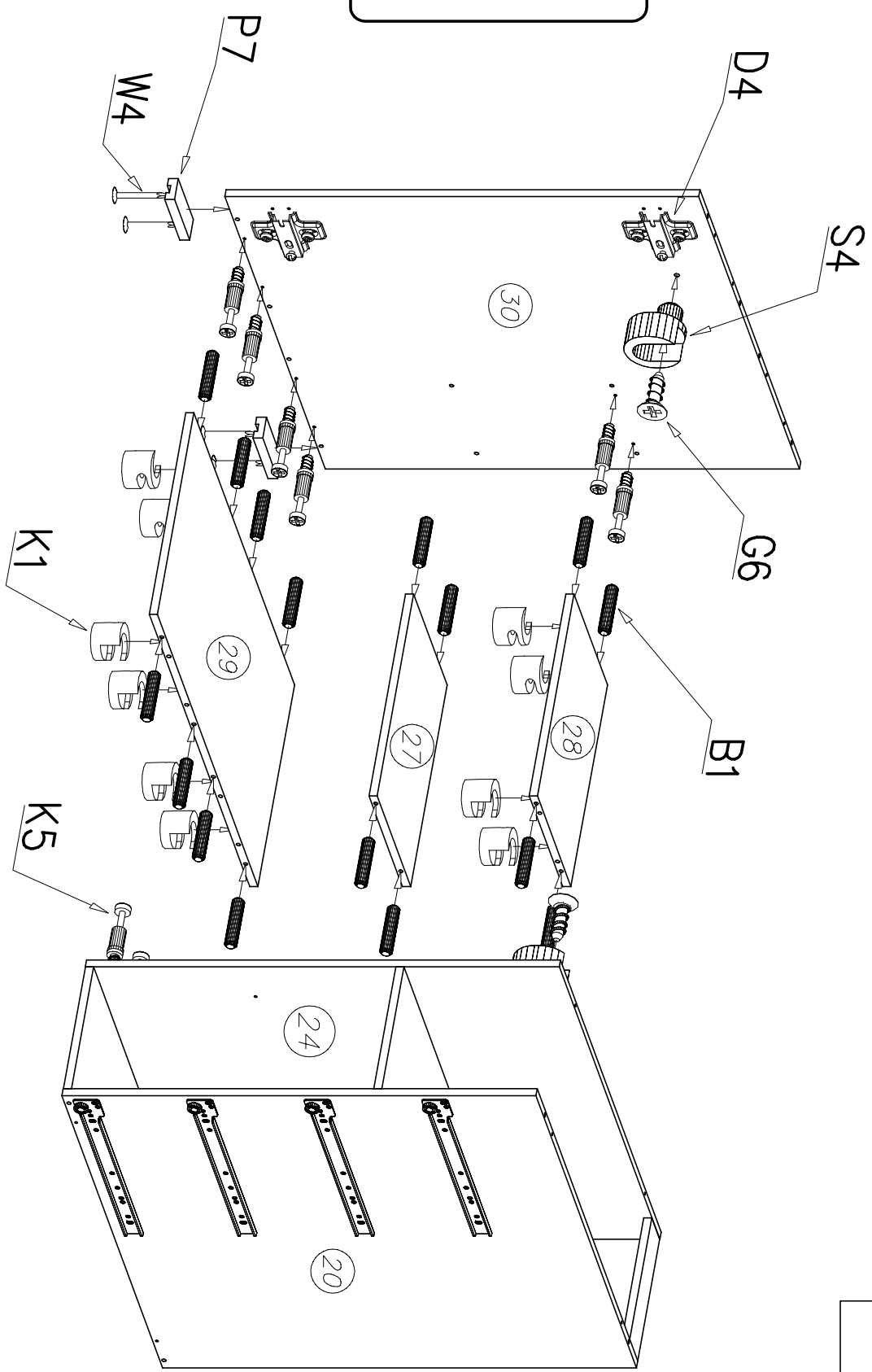
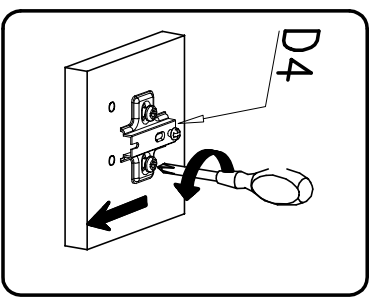
W4		G20		H9	
	x8	5x13	x24		
		P7			500mm
			x4		x4

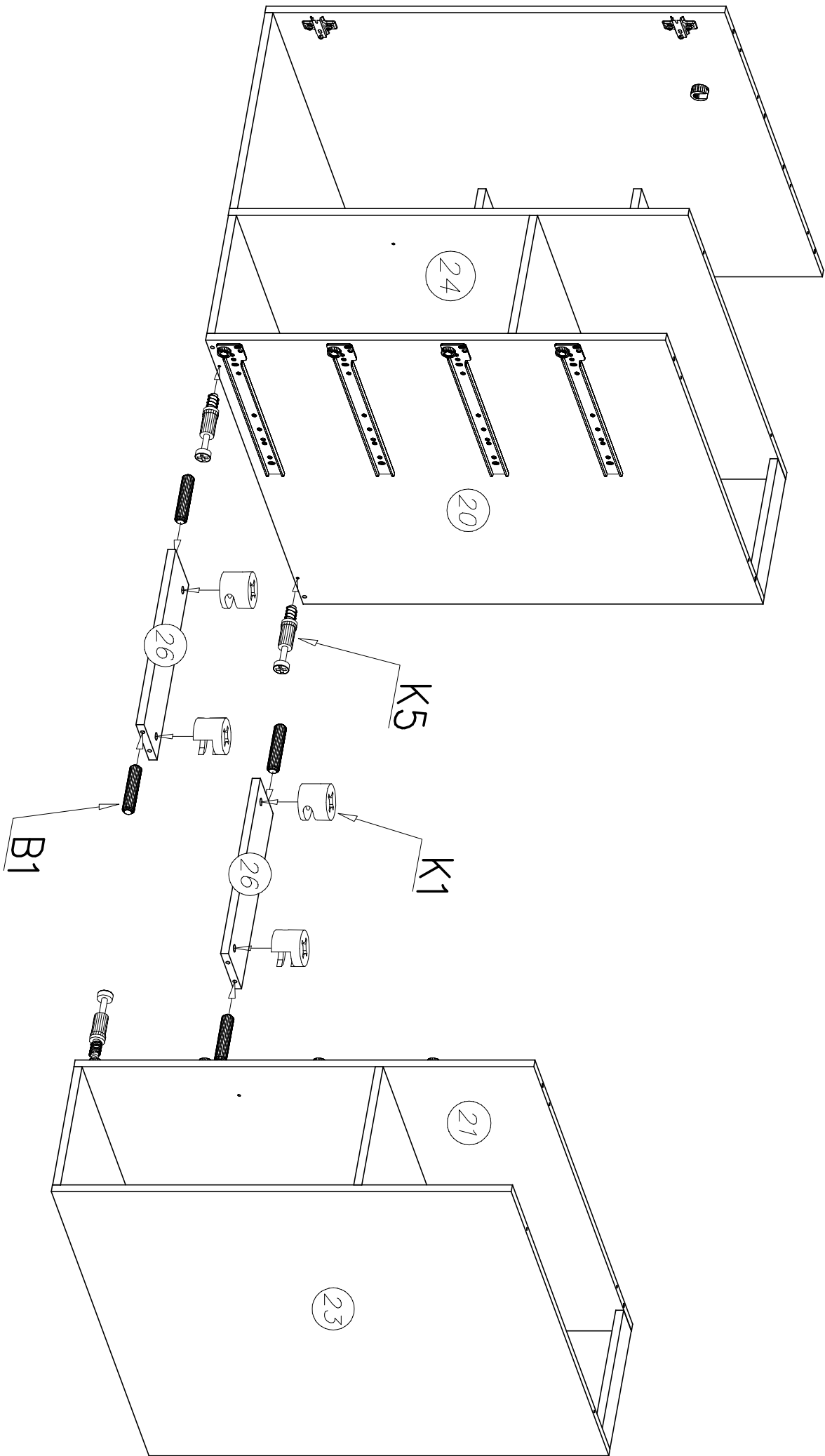


W4	P7	B1	K1	K5
				
x8	x4	ø8x30	ø15x12	x16
		x28	x16	x16

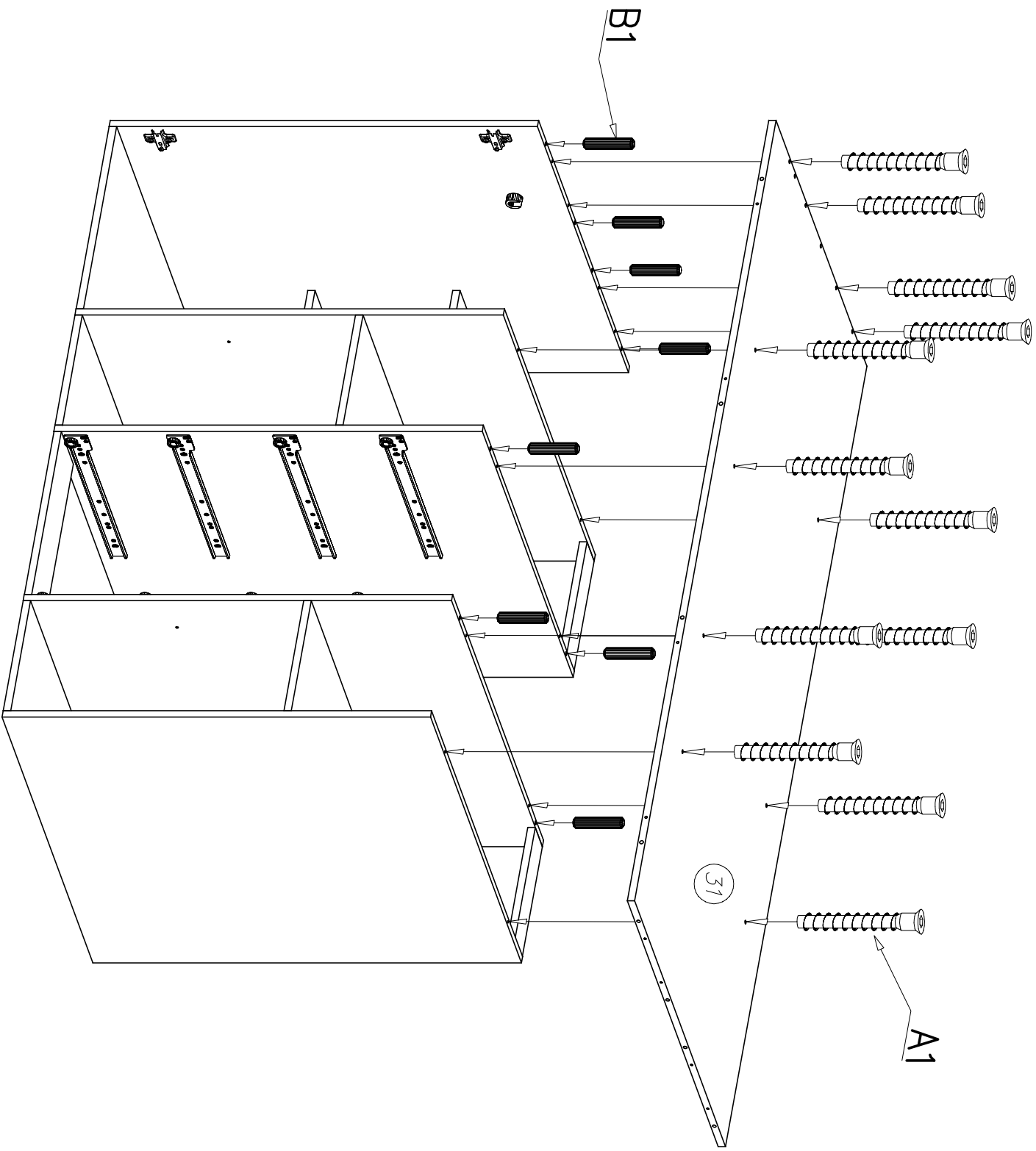





G6		S4		W4		P7		B1		K1		K5	
3x12	x2	x2	x2	x4	x2	ø8x30	x16	ø15x12	x12	D4	x12	x2	



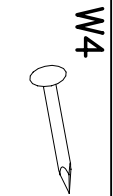
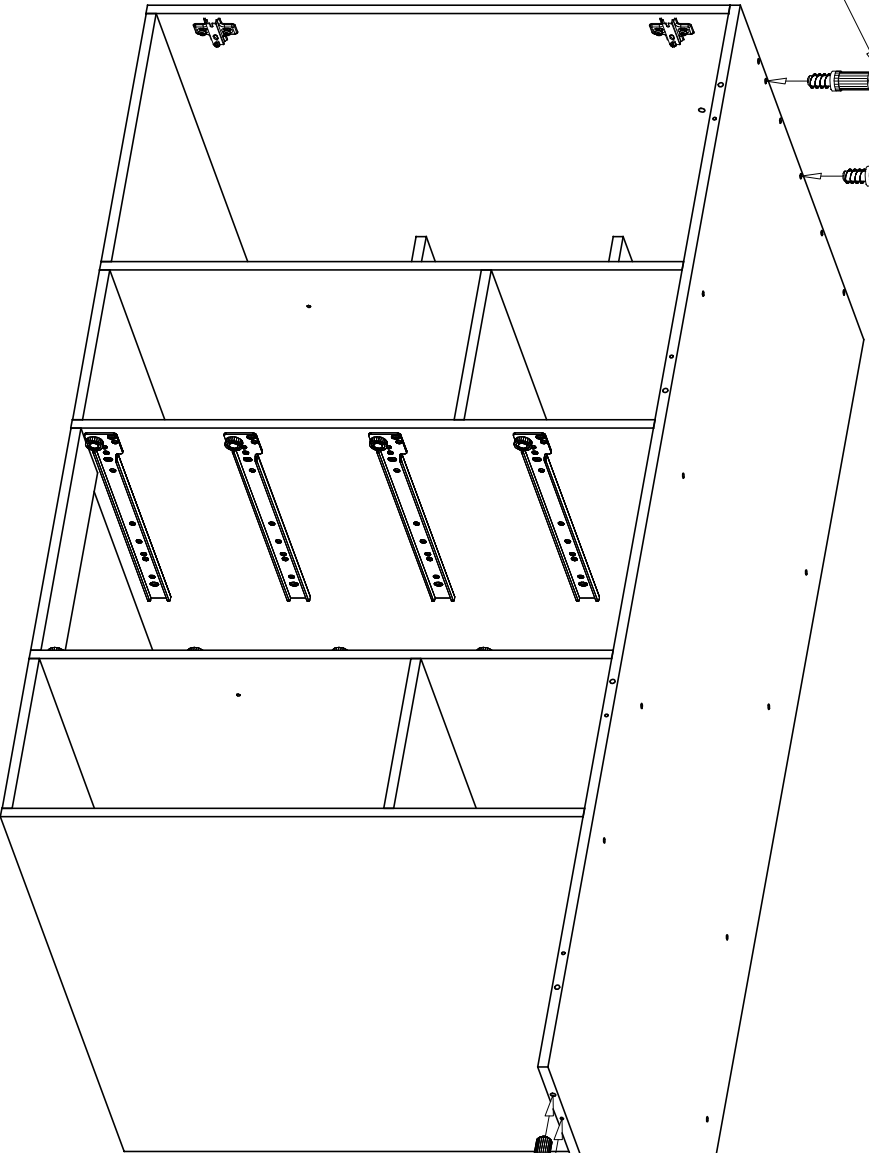
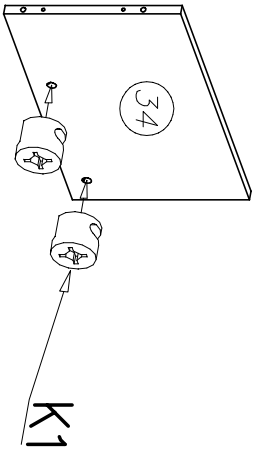


B1		K1		K5	
Ø8x30		Ø15x12			
X4		X4			X4

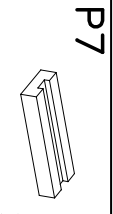


W2		x1
4mm		
A1		x12
ø7x50		
B1		x8
ø8x30		

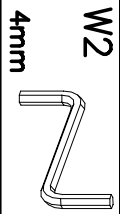
10



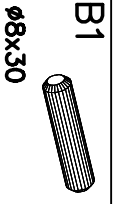
x4



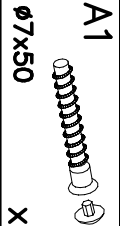
x2



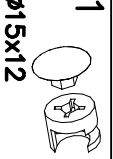
x1



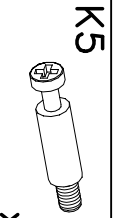
x4



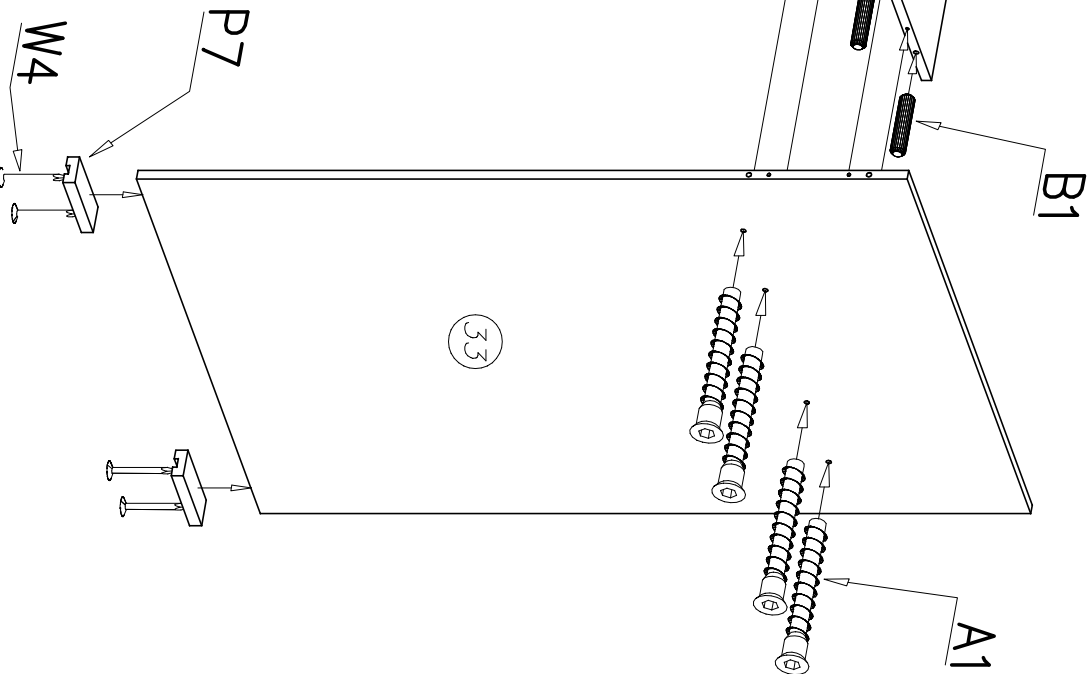
x4

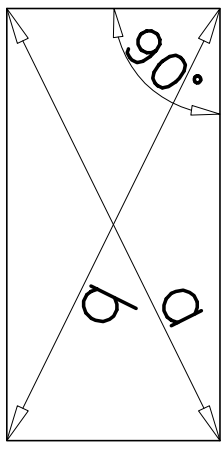


x2

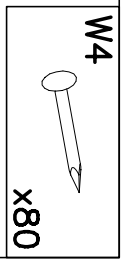
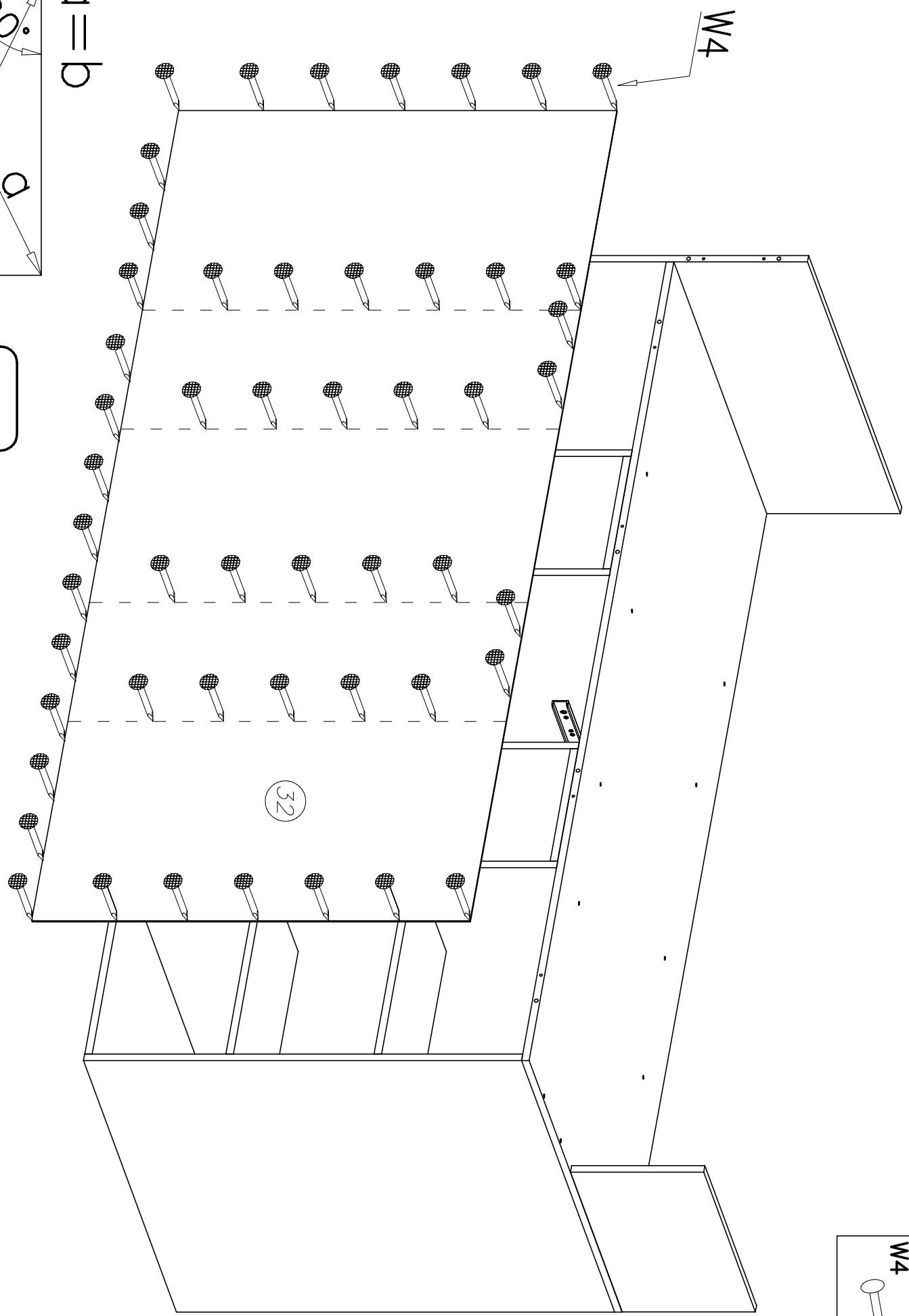


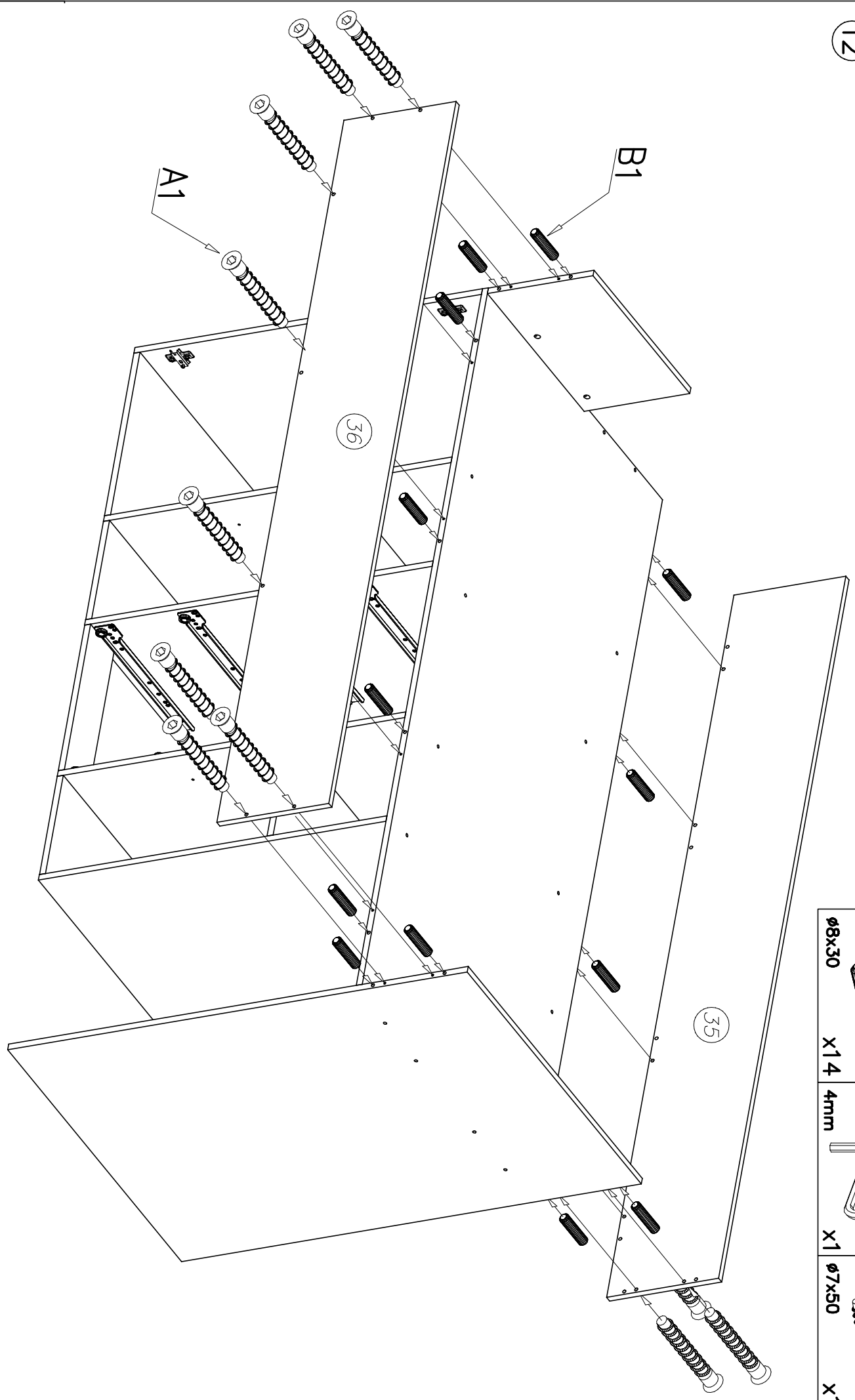
x2






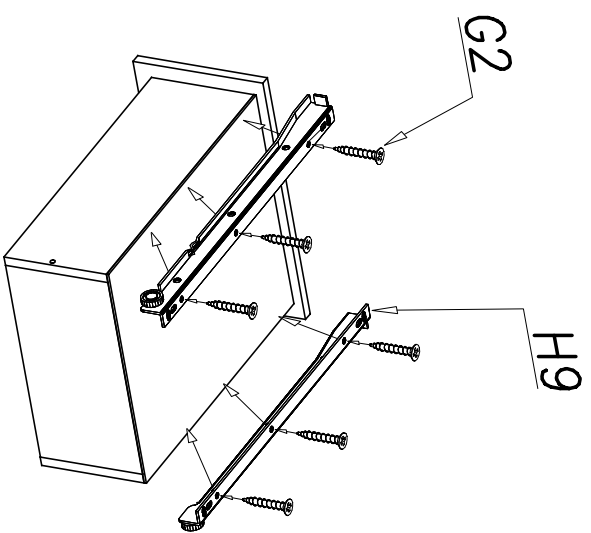
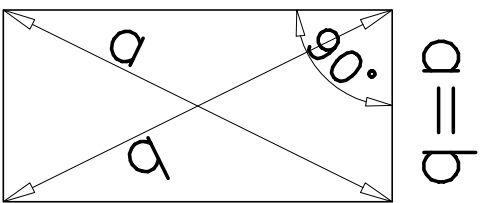
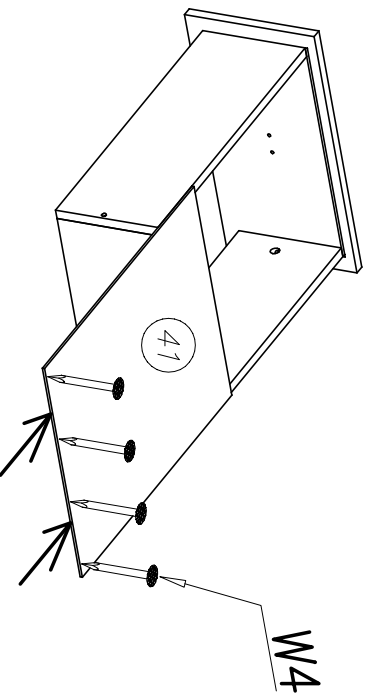
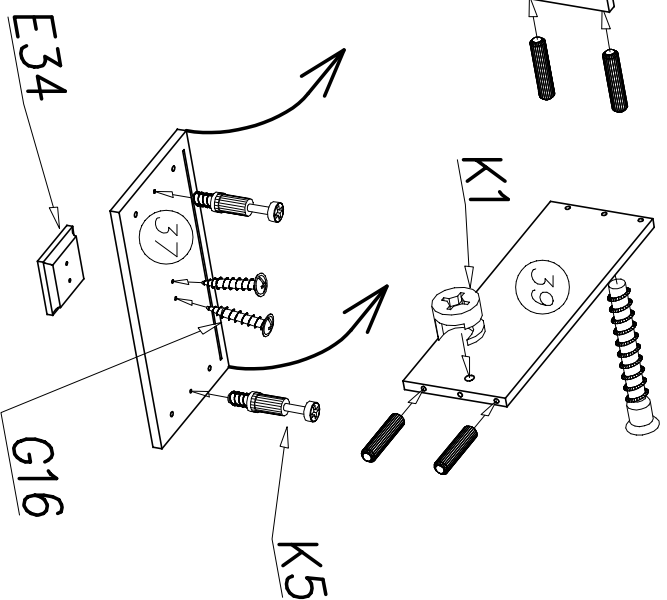
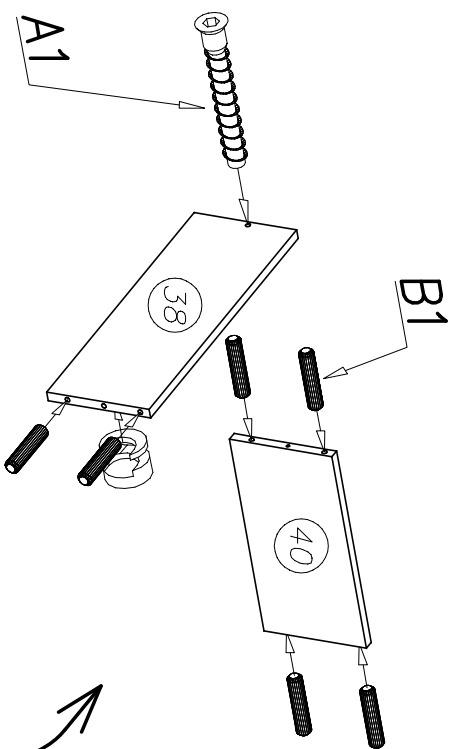


$a = b$





B1		W2		A1	
∅8x30	x14	4mm	x1	∅7x50	x14



W2		x1
4mm		

W4		x20
G2		x24
3x20		

H9		x4
K1		x8
500mm		

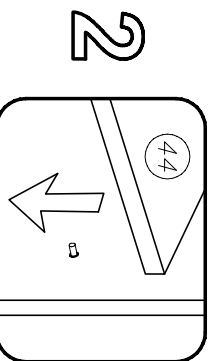
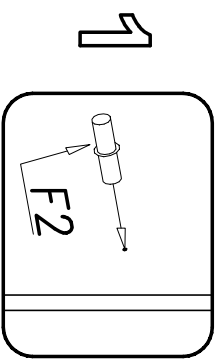
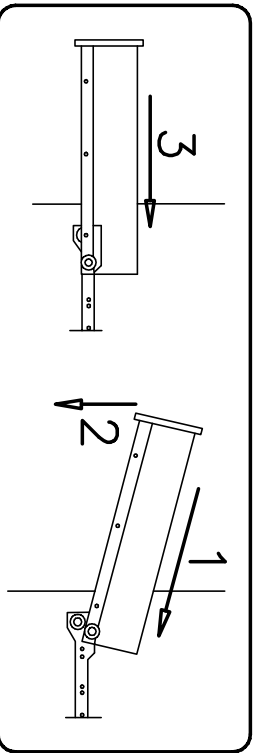
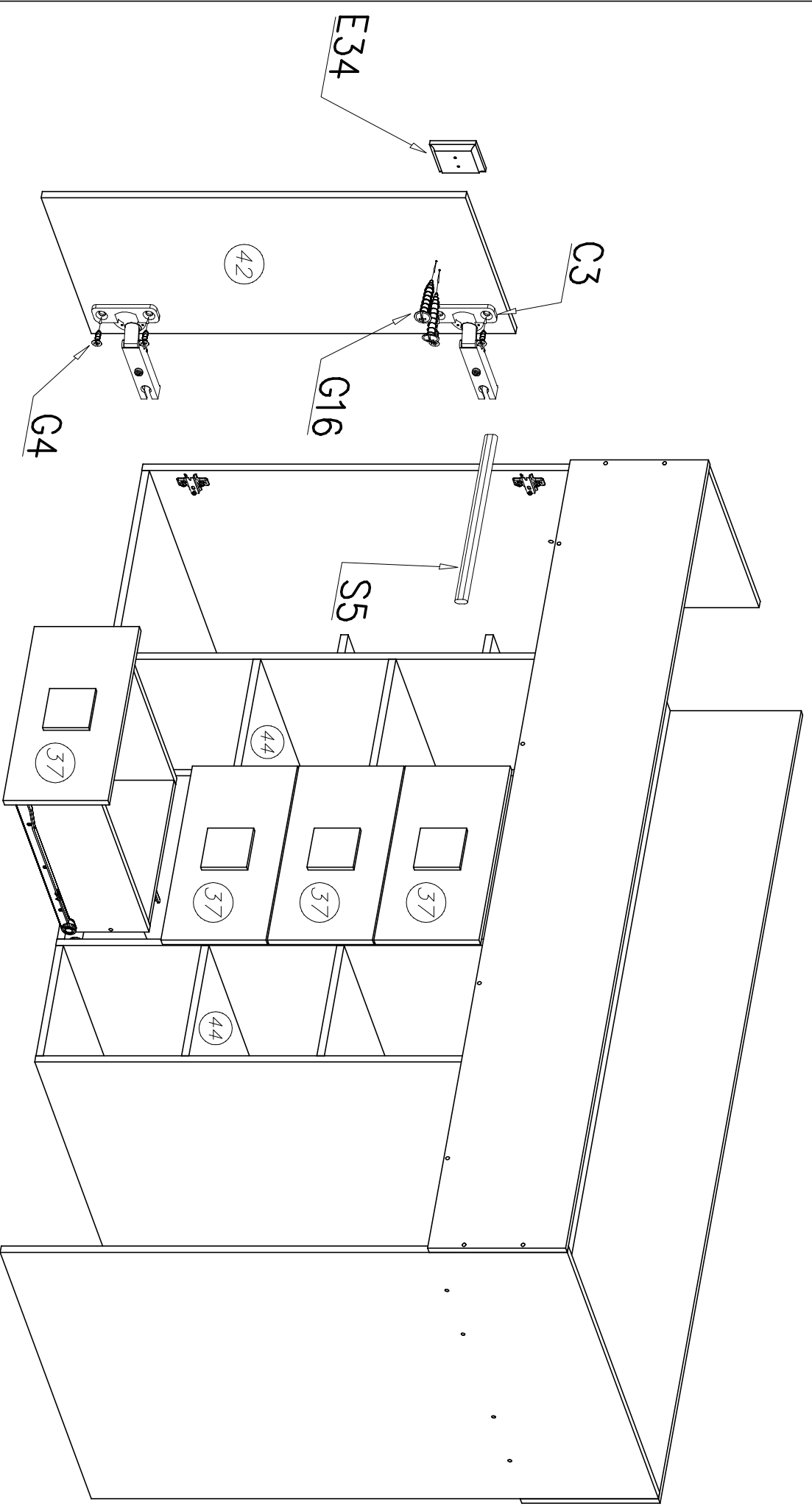
E34		x4
G16		x8
4x27		

K5		x8
A1		x8
$\phi 7 \times 50$		

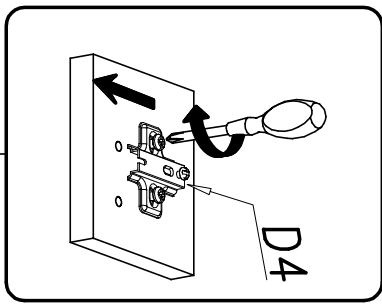
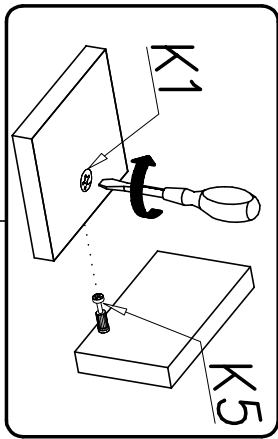
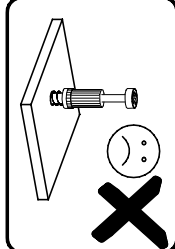
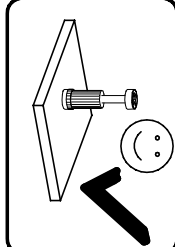
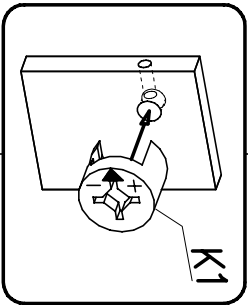
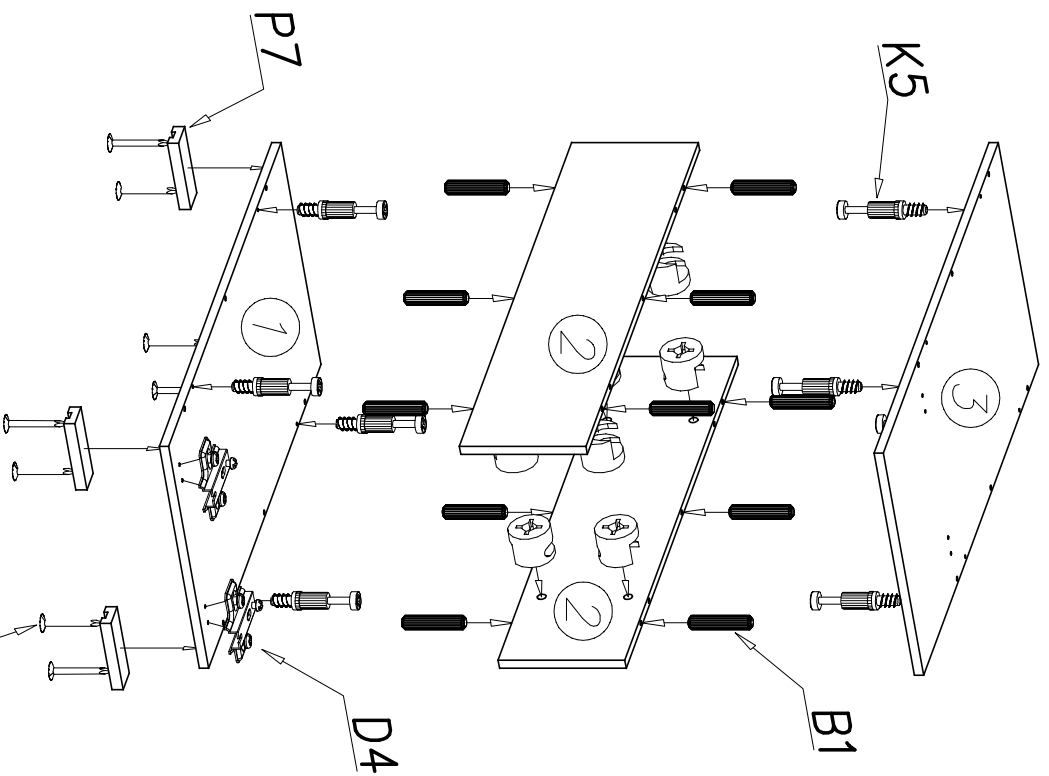
B1		x32
$\phi 8 \times 30$		

14

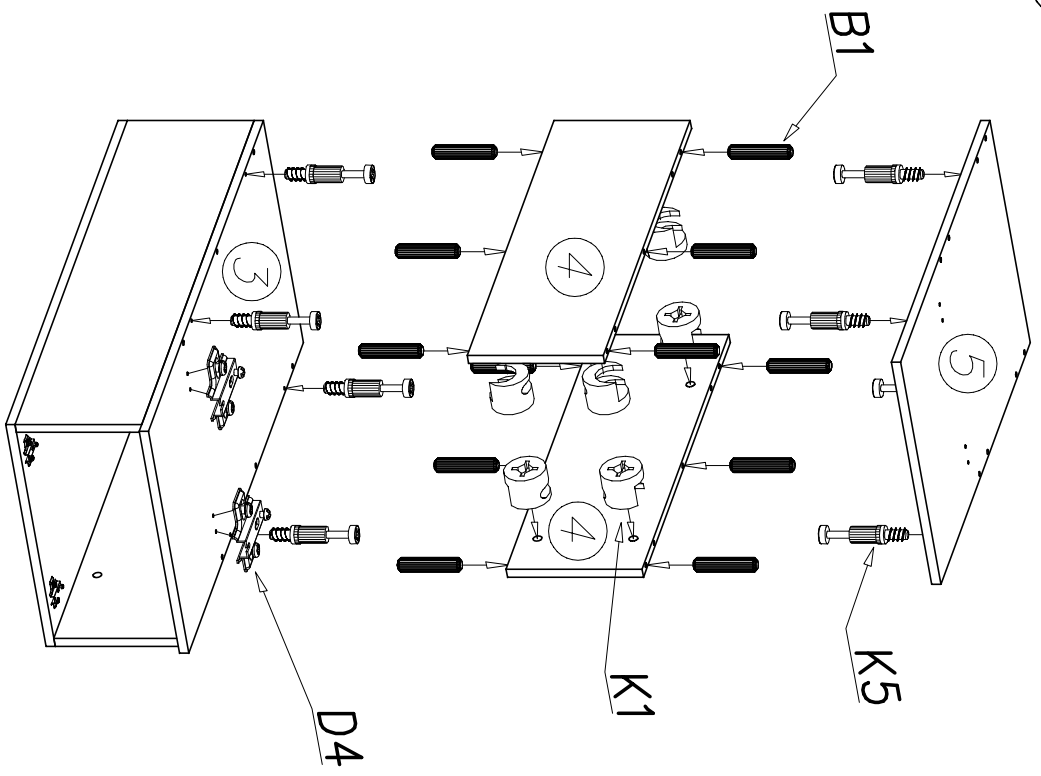
G16	E34	S5	C3	G4	F2
4x27	x2	x1	Z35PR	4x16	x4
			x2		x12



15



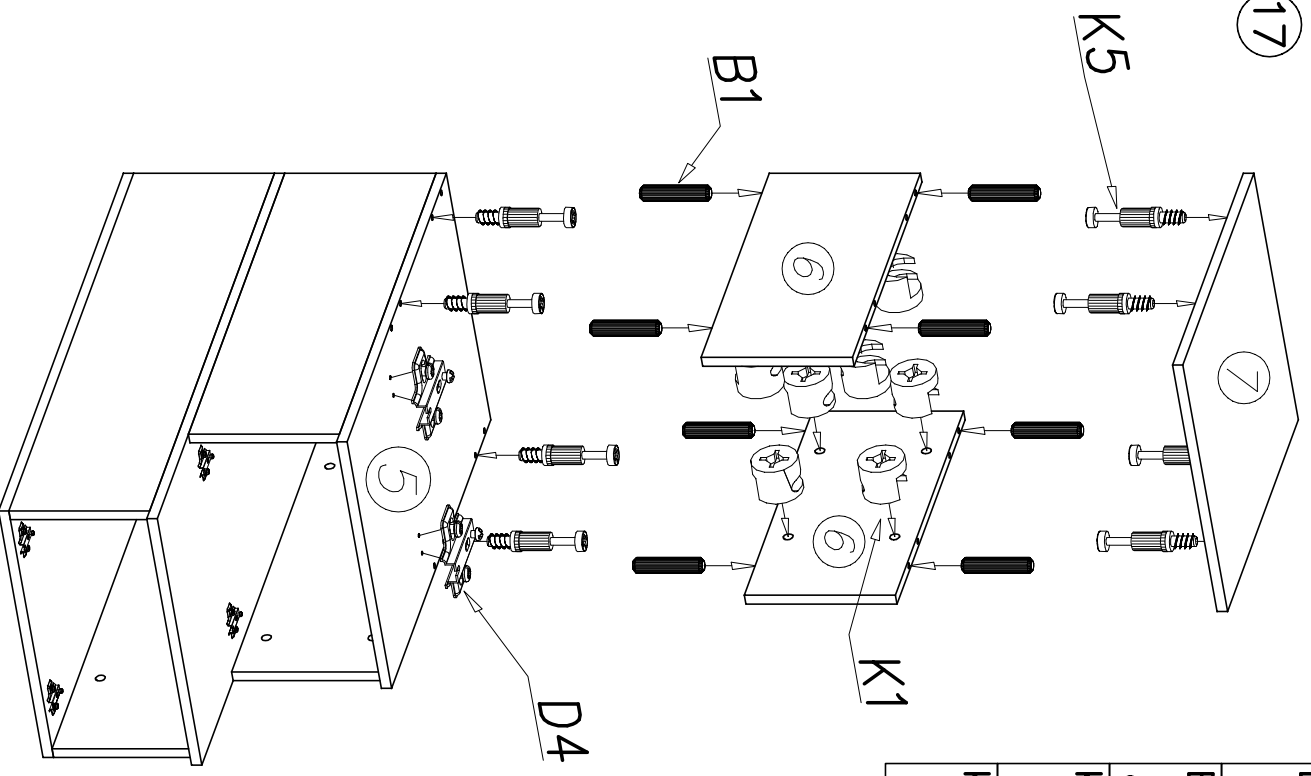
16



B1	P7	K1	K5
ø8x30 x12	x4	ø15x12 x8	x8
D4	W4		
x2	x8		

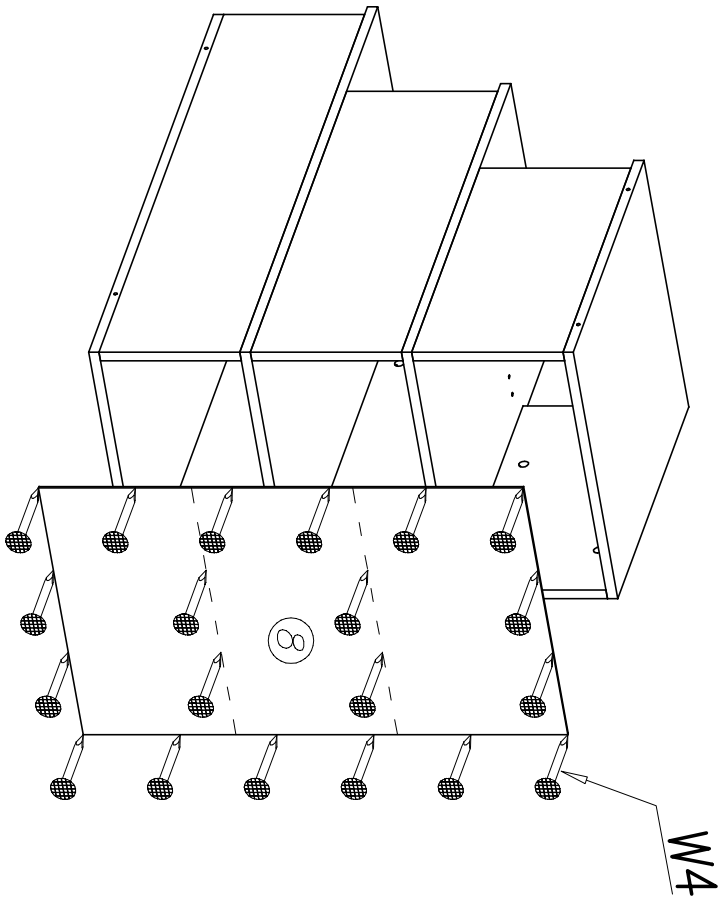
D4	B1	K1	K5
x2	ø8x30 x12	ø15x12 x8	x8

17

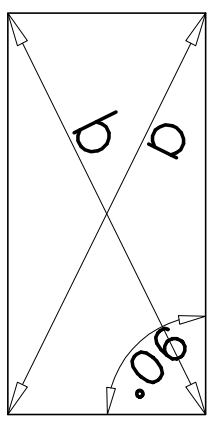


D4		x2
B1		x8
K1		x8
K5		x8

18

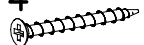




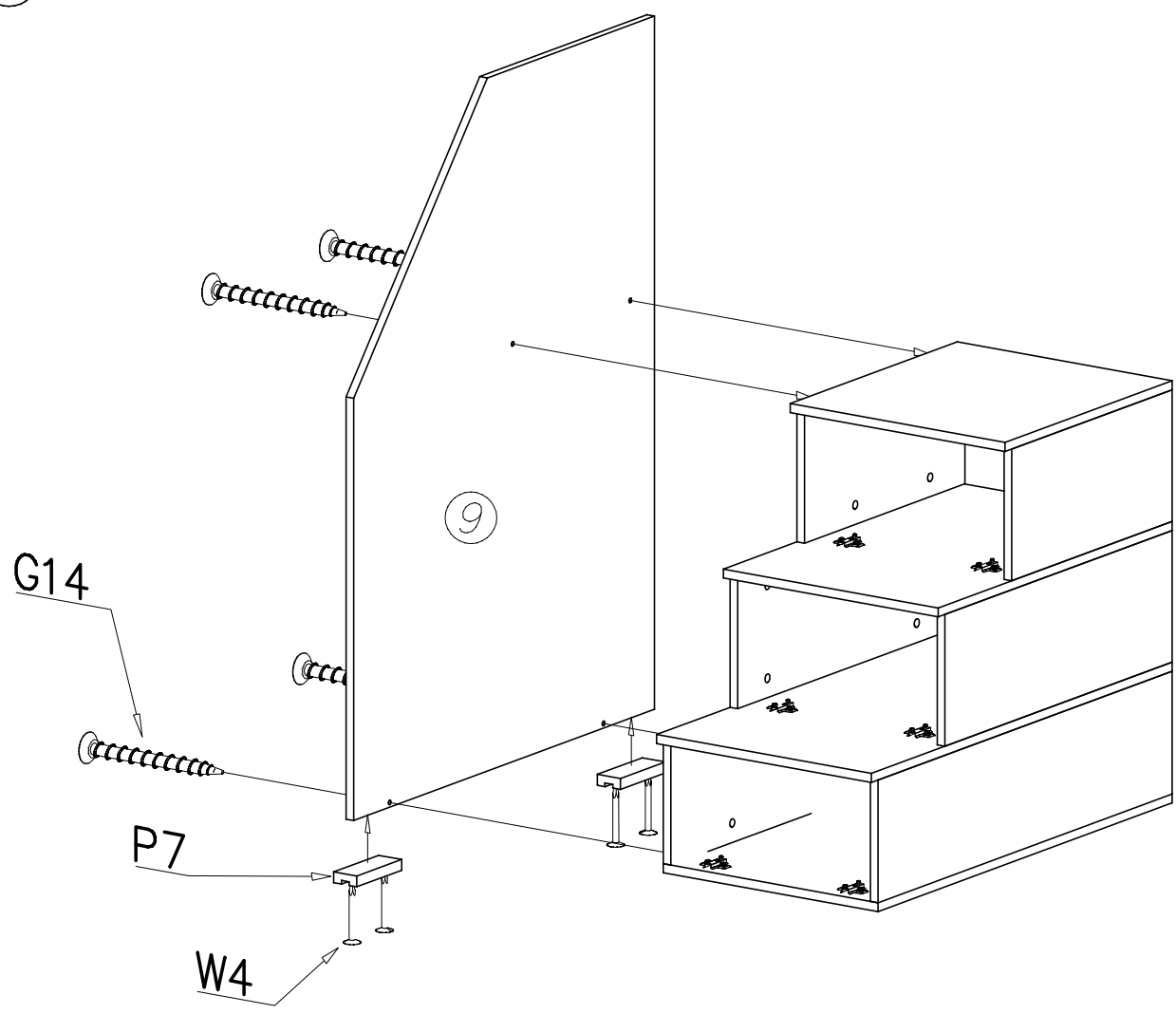
W4		x20
----	--	-----




a = b

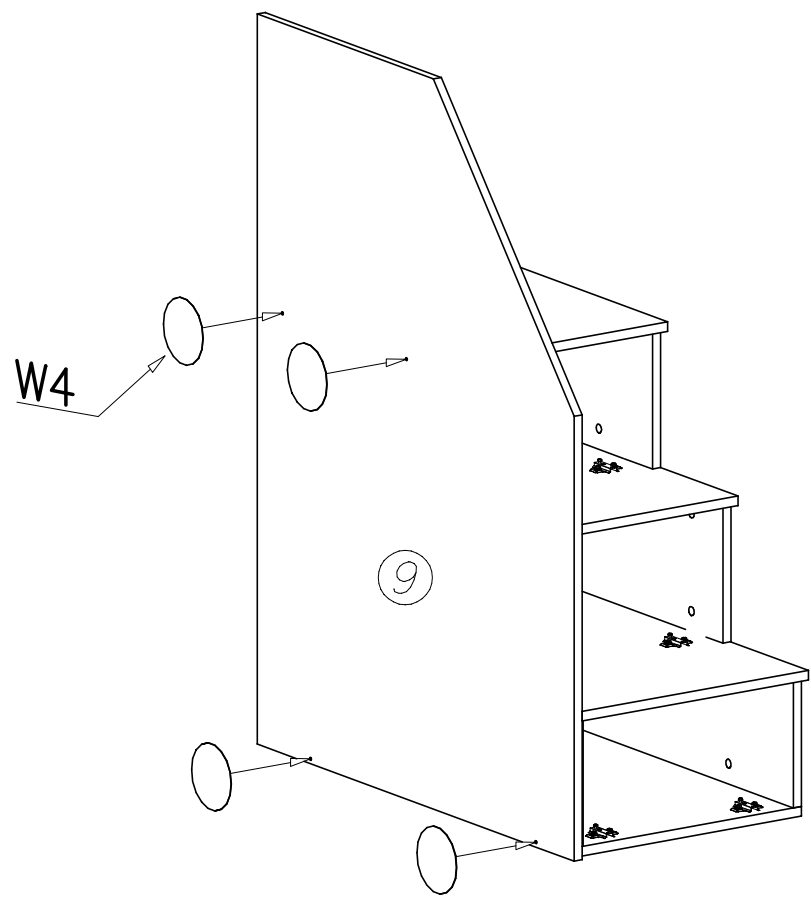
19

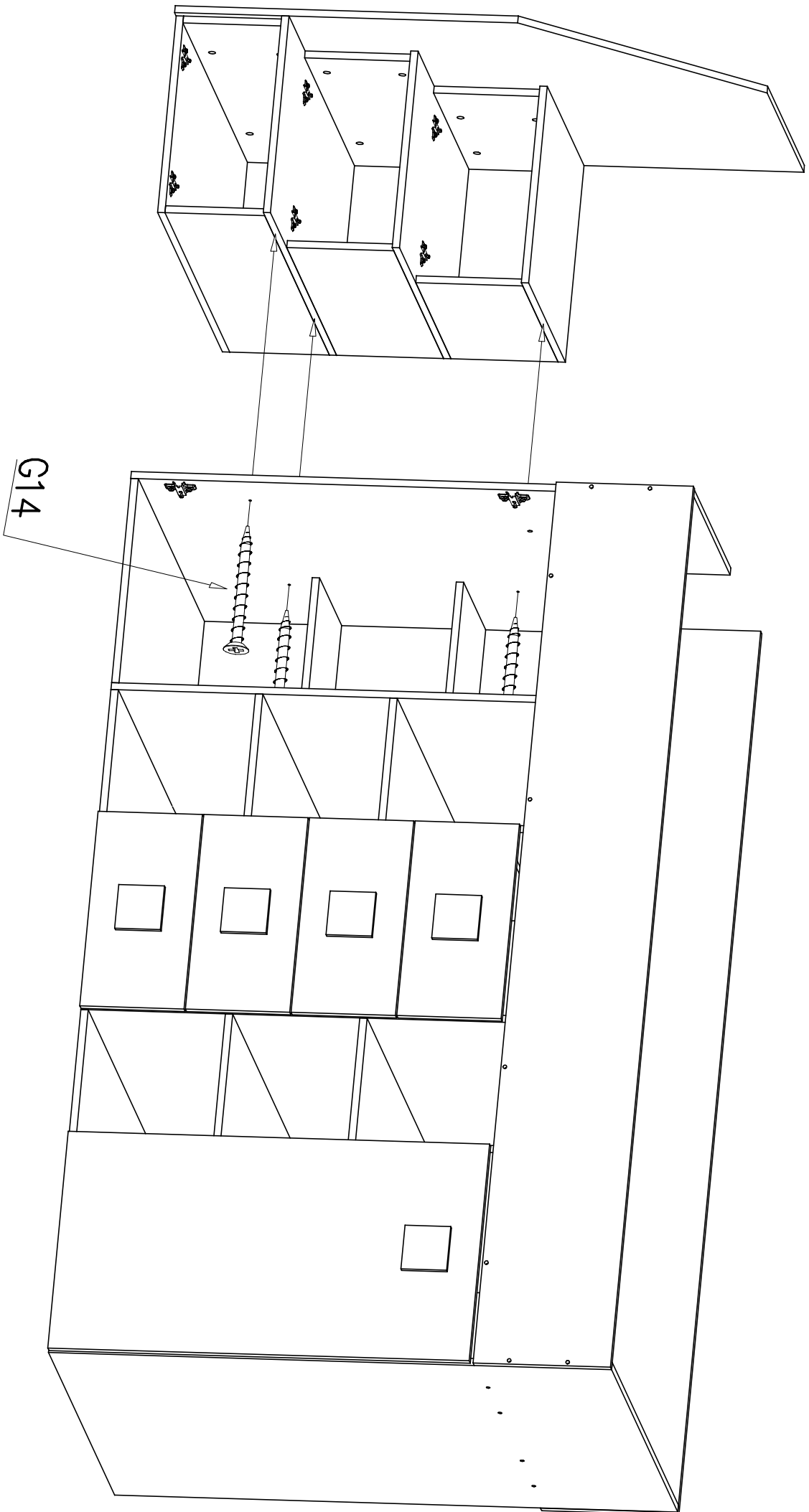
- G14  3,5x45 x4
- P7  x2
- W4  x4



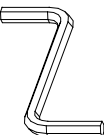
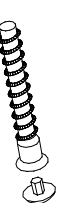
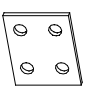

20

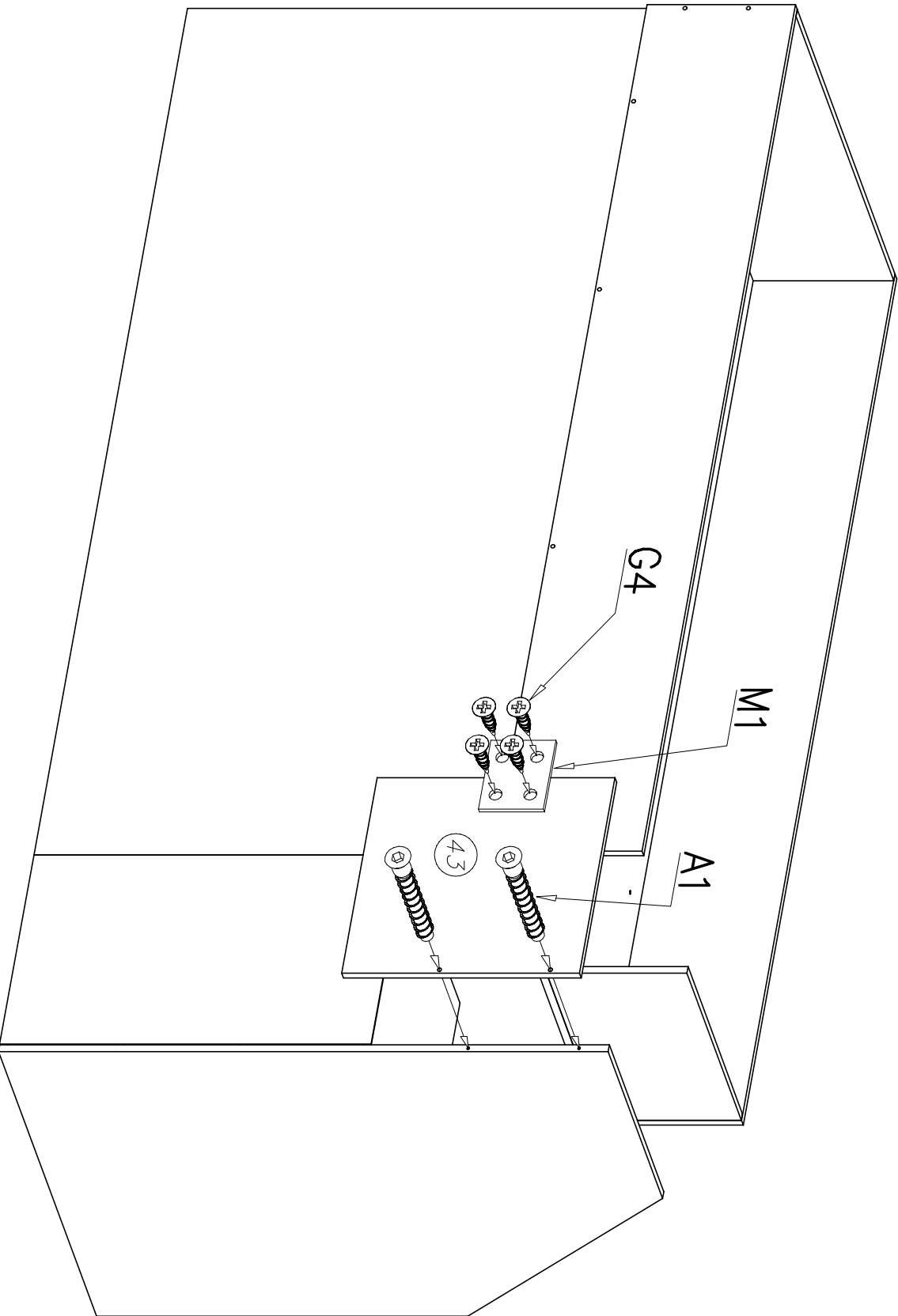
- I10  x4

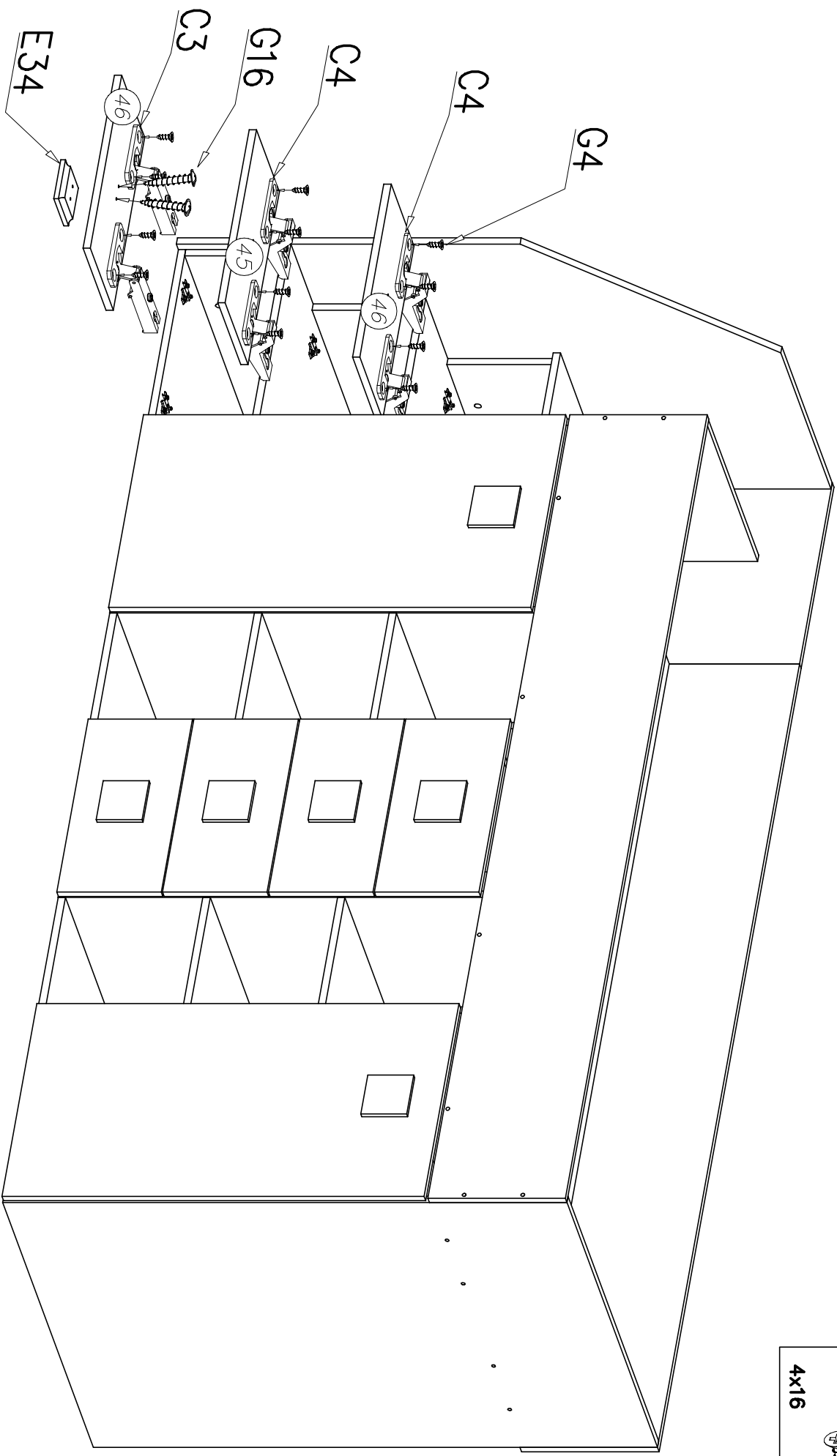







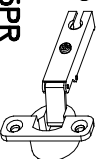
G14
3,5x45 X3

W2 4mm 	A1 ø7x50 	M1 	G4 4x16 
X1	X2	X1	X4





G16 4x27 x6		E34 	C4 Z350D x4
		C3 Z35PR x2	
		G4 4x16 x12	

C4 Z350D x4	
C3 Z35PR x2	
G4 4x16 x12	